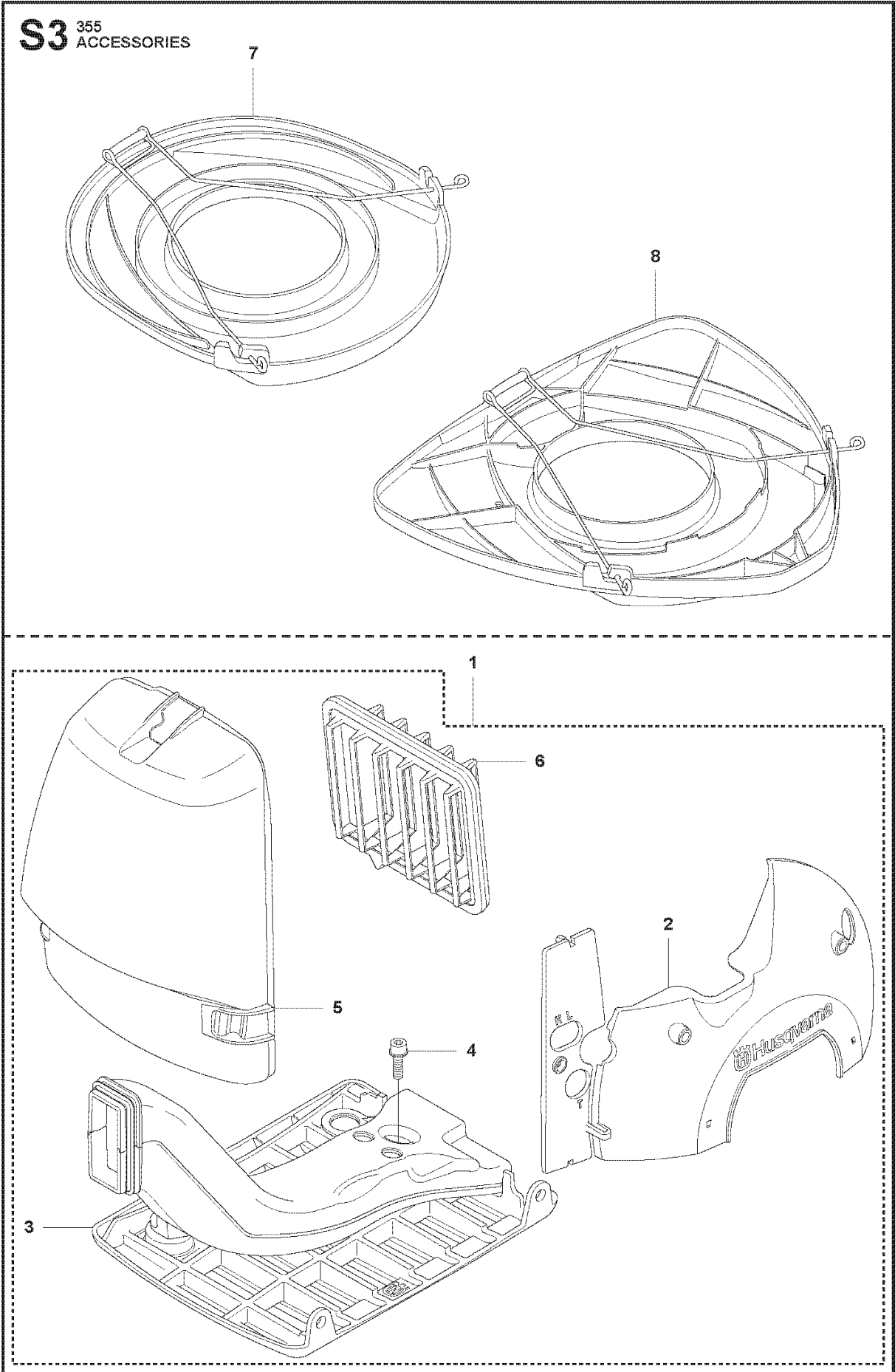




# SPARE PARTS LIST

BRUSHCUTTERS/CLEARING SAWS

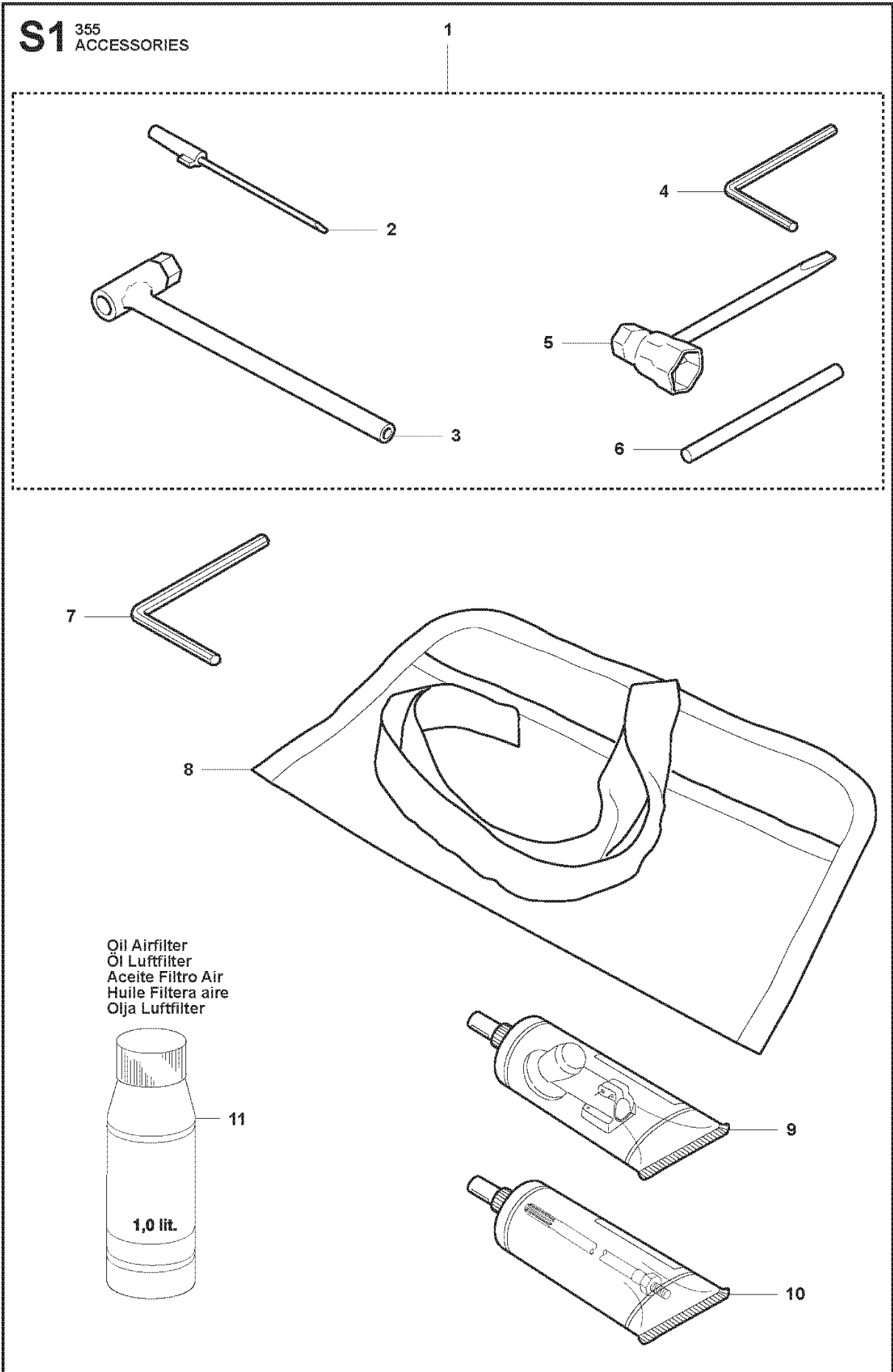
355 FX, 2008-07



## ACCESSORIES

355 FX, 2008-07

Ref	Part No	Description	Remark	QTY KIT
1	502 43 58-01	WINTER KIT		1
2	544 95 28-01	WINTER COVER		1
3	537 35 10-01	AIR DUCT		1
4	503 21 07-16	SCREW IHSCFT		1
5	544 87 02-01	COVER		1
6	537 41 08-01	FILTER		1
7	537 31 29-01	TRANSPORT GUARD		1
8	544 35 91-01	TRANSPORT GUARD		1

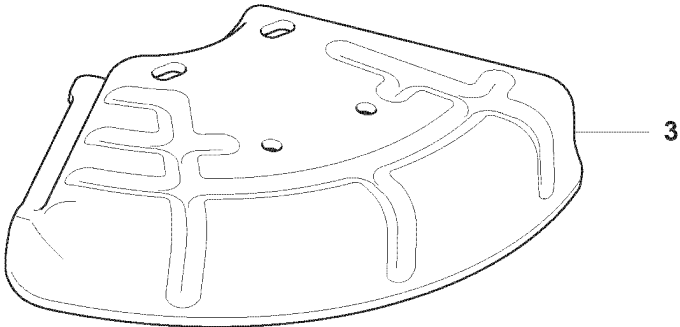
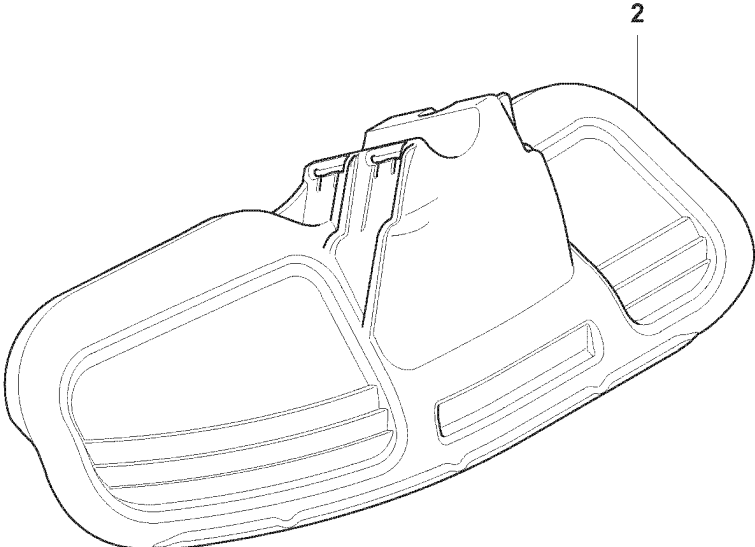
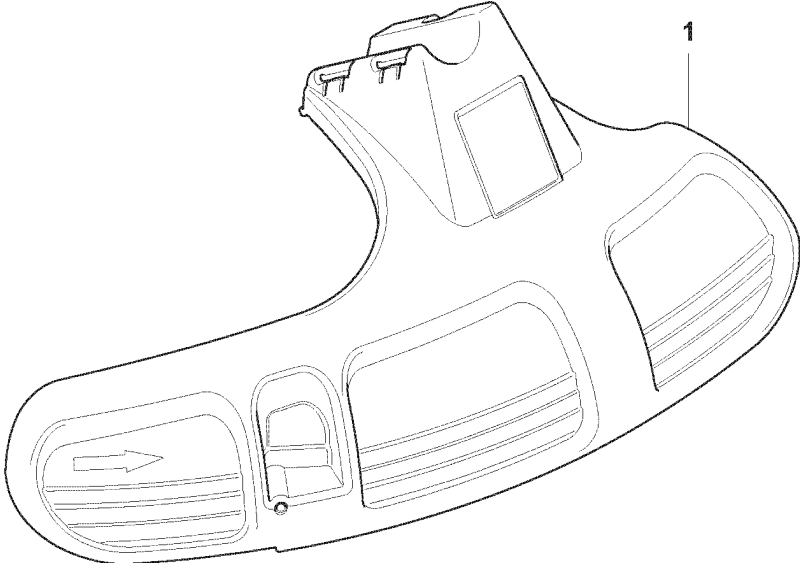


## ACCESSORIES

355 FX, 2008-07

Ref	Part No	Description	Remark	QTY KIT
1	502 21 60-15	ACCESSORY BAG		1
2	501 60 02-03	SCREWDRIVER		1
3	502 11 46-03	KEY		1
4	502 21 58-01	L-NYCKEL	4MM	1
5	501 69 17-01	COMBINATION WRENCH		1
6	502 28 59-01	STOP		1
7	503 55 86-05	SPANNER	5MM	1
8	501 19 22-01	TOOL CASING		1
9	503 97 64-01	GREASE		1
10	503 80 17-01	GREASE		1
11	531 00 92-48	FILTER OIL		1

**S2** <sup>355</sup>

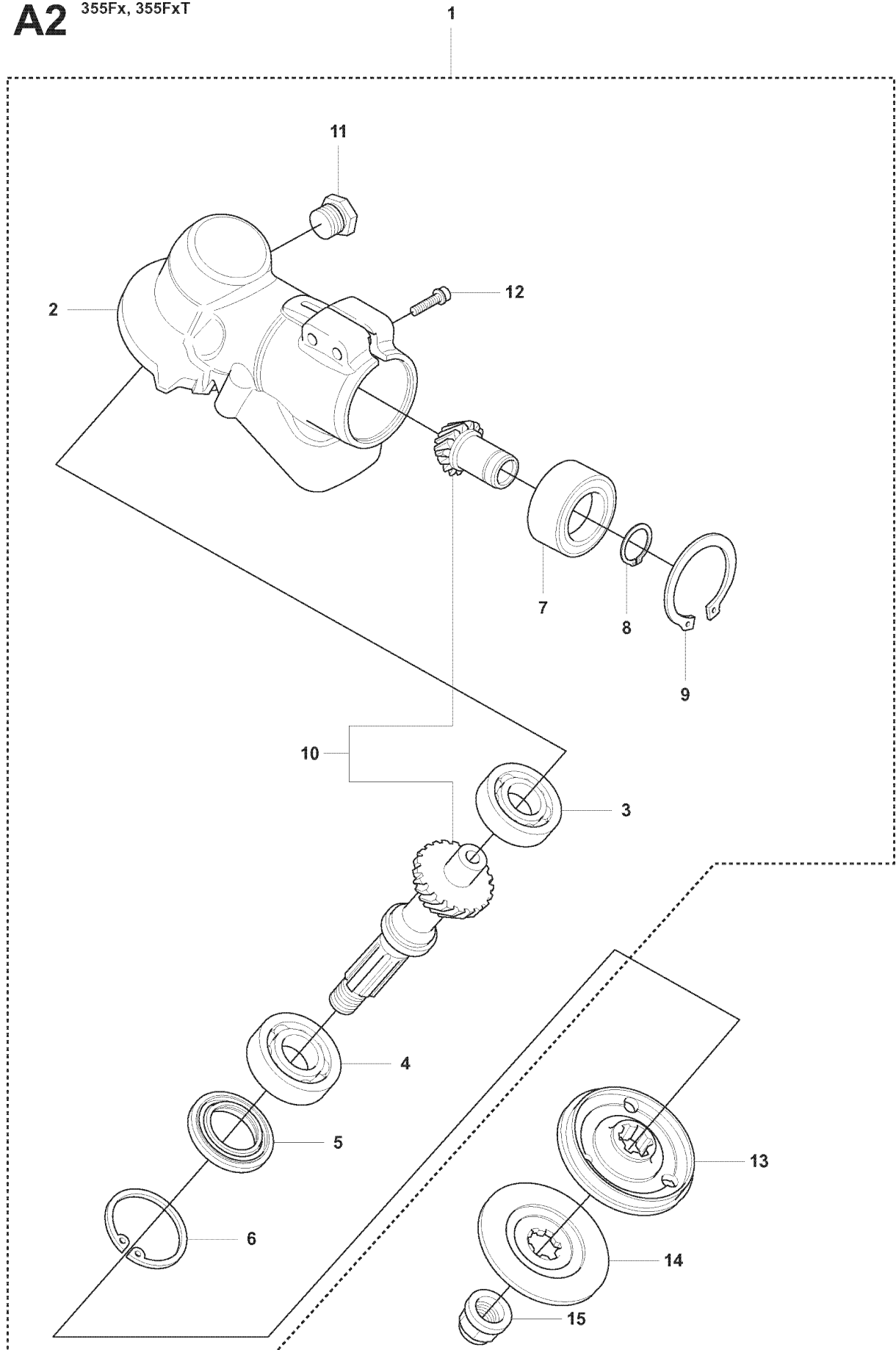


## ACCESSORIES

355 FX, 2008-07

Ref	Part No	Description	Remark	QTY KIT
1	544 10 74-02	TRIMMER GUARD	355RX	1
2	544 16 03-01	TRIMMER GUARD	355RX	1
3	544 01 65-01	SAW BLADE GUARD	355FX, 355FXT	1

**A2** 355Fx, 355FxT

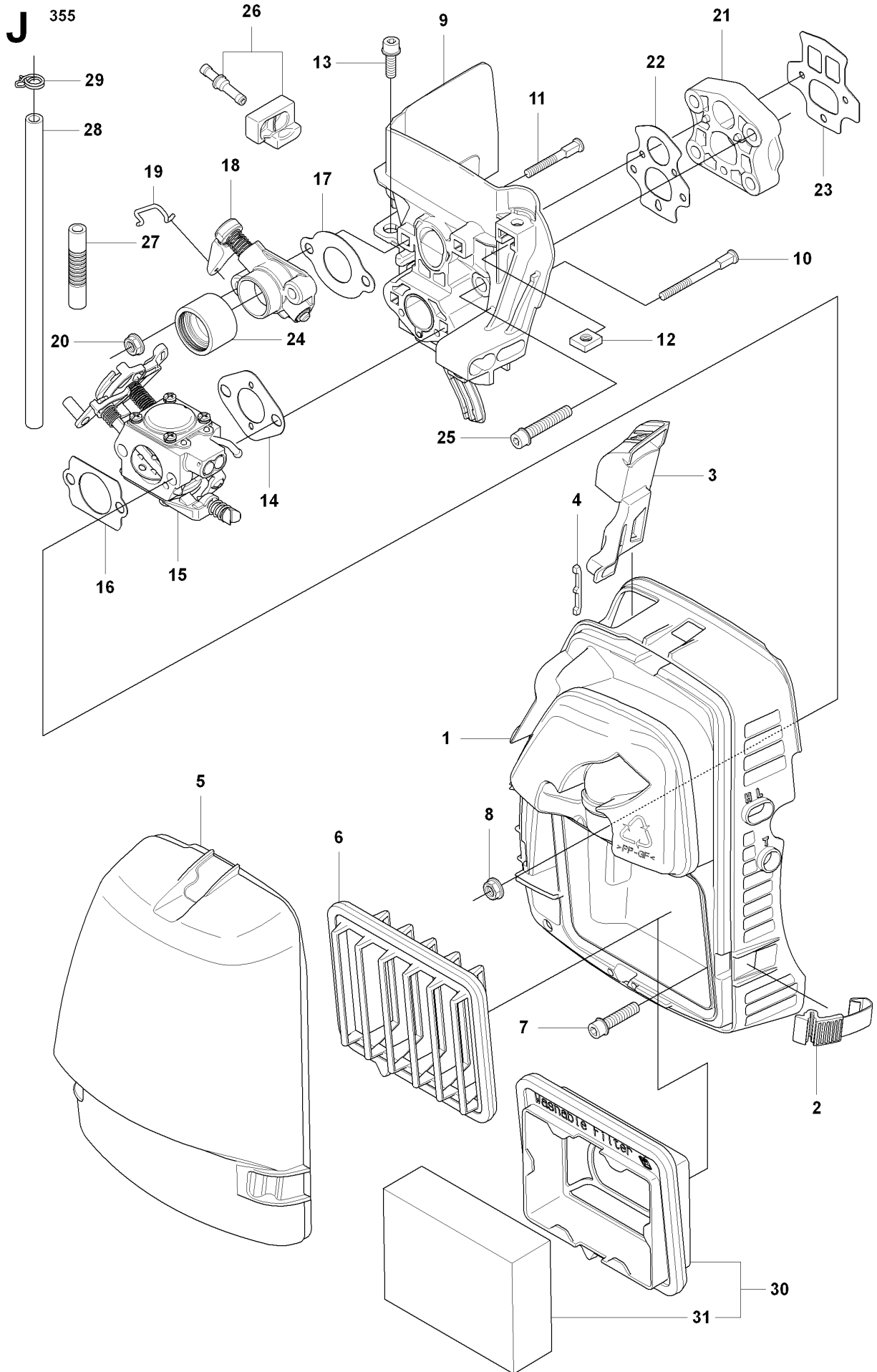




## BEVEL GEAR

355 FX, 2008-07

Ref	Part No	Description	Remark	QTY KIT
1	537 42 82-02	BEVEL GEAR		1
2	537 42 83-01	GEAR HOUSING		1
3	738 21 01-10	BALL BEARING		1
4	503 25 08-01	BEARING		1
5	544 80 92-01	SEALING		1
6	735 31 33-10	CIRCLIP		1
7	503 25 18-01	BEARING		1
8	735 31 17-00	CIRCLIP		1
9	735 31 31-10	CIRCLIP		1
10	502 43 47-01	GEAR WHEEL KIT		1
11	503 20 15-01	SCREW IHHM		1
12	725 53 72-65	SCREW IHSCM		2
13	544 19 78-01	DRIVER		1
14	544 21 78-01	SUPPORT FLANGE		1
15	503 22 73-01	NUT		1



## CARBURETOR &amp; AIR FILTER

355 FX, 2008-07

Ref	Part No	Description	Remark	QTY KIT
1	537 41 25-01	FILTER HOLDER		1
2	503 74 01-02	SNAP		3
3	537 35 26-01	CHOKE CONTROL		1
4	537 38 78-01	GROMMET		1
5	537 41 01-01	FILTER COVER		1
6	537 41 08-01	FILTER		1
6	537 41 08-02	FILTER		1
6	537 41 08-03	FILTER		1
7	503 20 07-76	SCREW IHSCFM		2
8	731 71 14-51	HEXAGON NUT FLANGED		2
9	537 35 04-01	INSULATION WALL		1
10	503 98 81-01	SCREW		2
11	503 98 81-04	SCREW		2
12	503 22 65-04	SQUARE NUT		1
13	503 20 07-76	SCREW IHSCFM		1
14	544 04 29-01	GASKET		1
15	502 65 42-01	CARBURETTOR		1
16	544 42 99-01	GASKET		1
17	544 16 08-01	GASKET		1
18	544 21 40-01	VALVE HOUSING		1
19	544 84 78-01	LINK		1
20	731 71 14-51	HEXAGON NUT FLANGED		2
21	544 04 33-01	MANIFOLD		1
22	544 04 30-01	GASKET		1
23	506 12 68-01	GASKET		1
24	537 41 05-01	INLET PIPE		1
25	503 20 07-80	SCREW IHSCFM		4
26	544 16 15-01	GROMMET		1
27	537 42 58-02	SUCTION HOSE		1
28	544 32 49-14	FUEL HOSE		1
29	544 34 86-01	HOSE CLAMP		1
30	505 03 47-01	FILTER		1
31	505 03 10-02	FILTER		1



## CARBURETOR DETAILS

355 FX, 2008-07

Ref	Part No	Description	Remark	QTY KIT
1	502 65 42-01	CARBURETTOR		1
2	505 31 67-36	RING		1
3	544 97 07-01	LEVER		1
4	544 17 77-01	LEVER		1
5	505 31 67-54	LOCK STYRMEMBRAN		1
6	503 58 43-01	COVER		1
7	544 04 36-01	SHAFT		1
8	544 04 40-01	SHAFT		1
9	544 97 08-01	LIMITER CAP		2
10	544 97 09-01	VALVE		1
11	537 10 96-01	VALVE		1
12	503 56 34-01	VALVE INLET NEEDLE		1
13	503 80 04-01	NOZZLE		1
14	503 60 78-01	PLUG WELCH		1
15	501 46 85-01	BALL-CHOKE FRICTION		1
16	504 35 09-06	GASKET		1
17	504 13 09-06	GASKET		1
18	502 21 36-01	DIAPHRAGM PUMP		1
19	504 13 08-08	DIAPHRAGM		1
20	501 46 87-01	SCREW		1
21	505 31 67-17	SCREW		1
22	501 46 69-01	SCREW		1
23	537 00 34-01	SCREW		1
24	503 10 87-01	SCREW		4
25	537 40 82-01	SCREW		1
26	501 46 84-01	SPRING		1
27	501 79 59-01	SPRING		1
28	501 66 78-01	SPRING		1
29	544 97 10-01	SPRING		2
30	544 17 76-01	SPRING		1
31	544 97 11-01	SPRING		1
32	502 84 72-01	NEEDLE		1
33	544 97 13-01	NEEDLE		1
34	544 97 15-01	FITTING		1
35	544 97 16-01	FITTING		1
36	501 66 61-01	SCREEN-INLET		1
37	505 52 01-25	PIN-METERING LEVER		1
38	505 52 01-27	LEVER		1
39	544 11 15-01	SCREW		1
40	505 42 69-01	JET		1
41	537 41 26-01	GASKET KIT		1

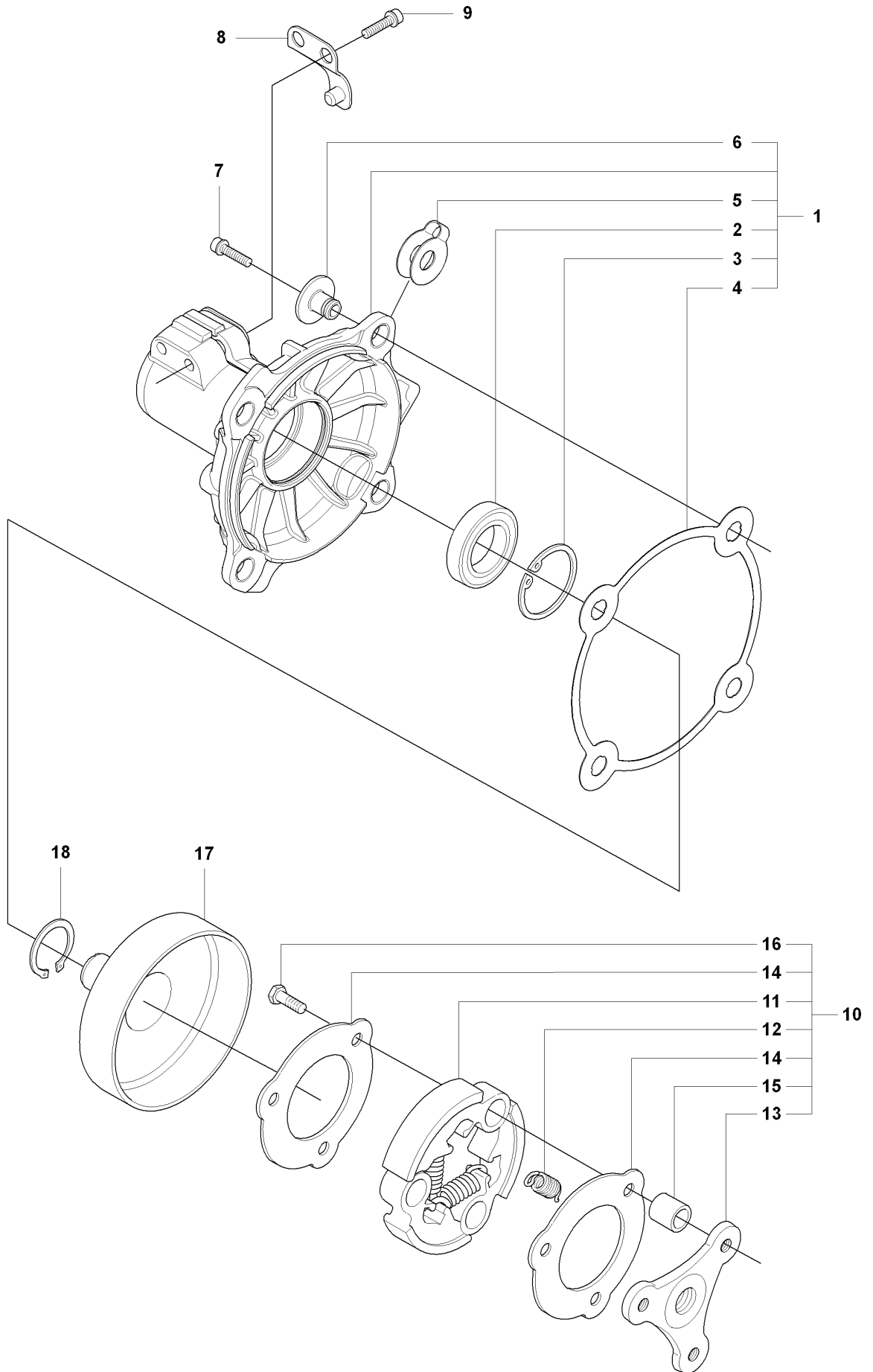


## CARBURETOR DETAILS

355 FX, 2008-07

Ref	Part No	Description	Remark	QTY KIT
1	505 42 68-01	CARBURETTOR		1
2	505 31 67-36	RING		1
3	544 97 07-01	LEVER		1
4	544 17 77-01	LEVER		1
5	505 31 67-54	LOCK STYRMEMBRAN		1
6	503 58 43-01	COVER		1
7	544 04 36-01	SHAFT		1
8	544 04 40-01	SHAFT		1
9	544 97 08-01	LIMITER CAP		2
10	505 42 71-01	VALVE		1
11	537 10 96-01	VALVE		1
12	503 56 34-01	VALVE INLET NEEDLE		1
13	502 84 68-01	NOZZLE ASSY		1
14	502 84 69-01	PLUG		1
15	501 46 85-01	BALL-CHOKE FRICTION		1
16	504 35 09-06	GASKET		1
17	504 13 09-06	GASKET		1
18	502 21 36-01	DIAPHRAGM PUMP		1
19	502 84 70-01	DIAPHRAGM		1
20	501 46 87-01	SCREW		1
21	502 84 71-01	SCREW		1
22	501 46 69-01	SCREW		1
23	537 00 34-01	SCREW		1
24	503 10 87-01	SCREW		4
25	537 40 82-01	SCREW		1
26	501 46 84-01	SPRING		1
27	501 79 59-01	SPRING		1
28	501 66 78-01	SPRING		1
29	544 97 10-01	SPRING		2
30	544 17 76-01	SPRING		1
31	544 97 11-01	SPRING		1
32	502 84 72-01	NEEDLE		1
33	502 84 73-01	NEEDLE		1
34	544 97 15-01	FITTING		1
35	544 97 16-01	FITTING		1
36	501 66 61-01	SCREEN-INLET		1
37	505 52 01-25	PIN-METERING LEVER		1
38	502 84 74-01	LEVER		1
39	544 11 15-01	SCREW		1
40	505 42 69-01	JET		1
41	503 57 43-01	PLUG-WELCH		1

**M** 355



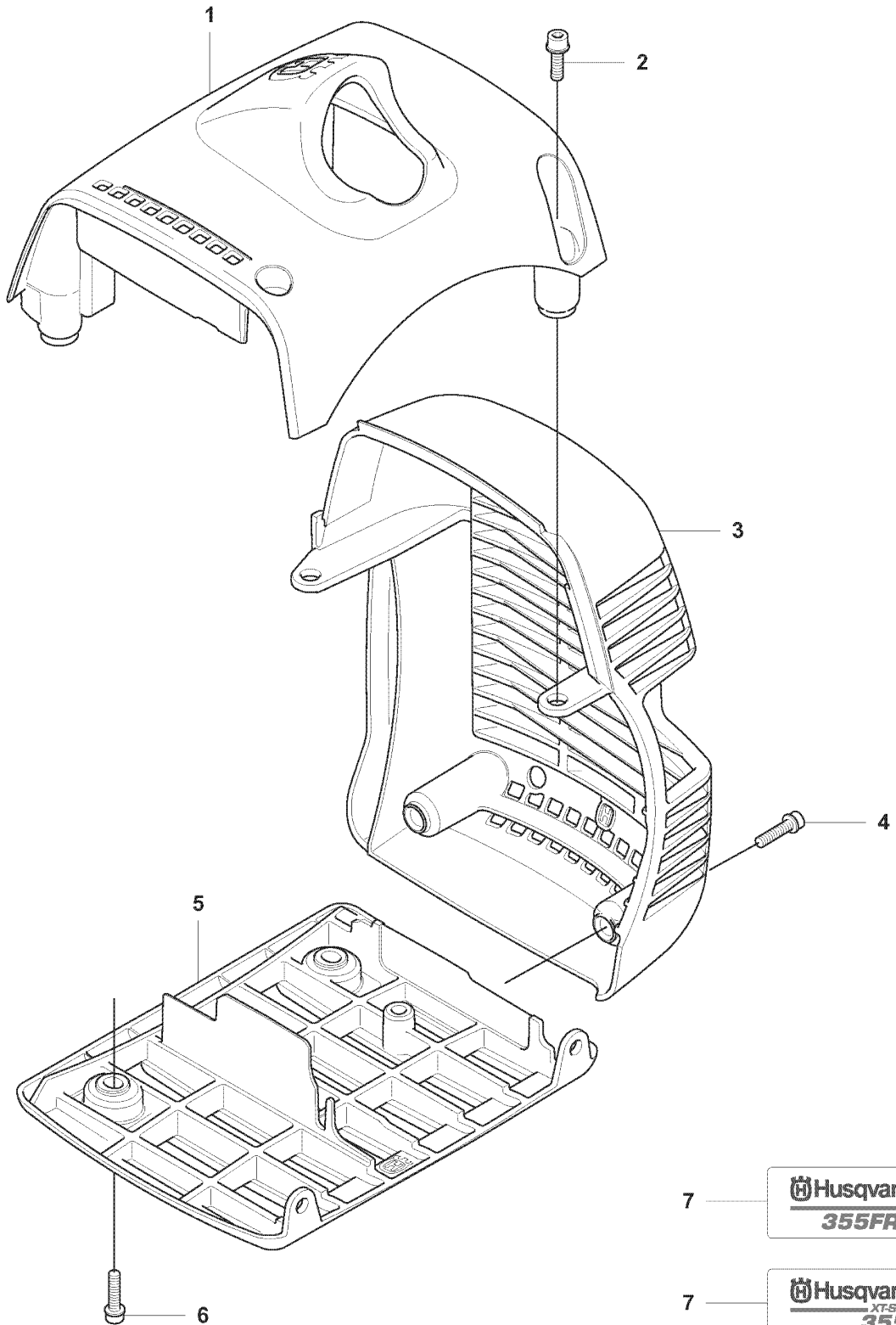


## CLUTCH

355 FX, 2008-07

Ref	Part No	Description	Remark	QTY KIT
1	502 49 35-02	CLUTCH COVER ASSY		1
2	738 22 02-19	BALL BEARING		1
3	735 31 33-10	CIRCLIP		1
4	544 90 81-01	WASHER		1
5	544 09 36-01	SPRING PLATE		4
6	544 09 35-01	SPACING SLEEVE		4
7	503 20 07-78	SCREW IHSCFM		4
8	544 29 48-01	LOCKING PLATE		1
9	725 53 72-65	SCREW IHSCM		2
10	537 40 40-01	CLUTCH ASSY		1
11	537 40 37-01	CLUTCH SHOE		1
12	505 43 53-01	CLUTCH SPRING		3
13	537 40 36-01	CLUTCH HUB		1
14	544 89 28-01	WASHER		2
15	537 13 54-01	BEARING BUSHING		3
16	503 20 18-02	SCREW EHHM		3
17	537 32 18-01	CLUTCH DRUM ASSY		1
18	735 31 17-00	CIRCLIP		1

**G** 355



7 —  **Husqvarna**  
**355FRM**

7 —  **Husqvarna**  
*XT-Series*  
**355F**

7 —  **Husqvarna**  
*X-Series*  
**355F**

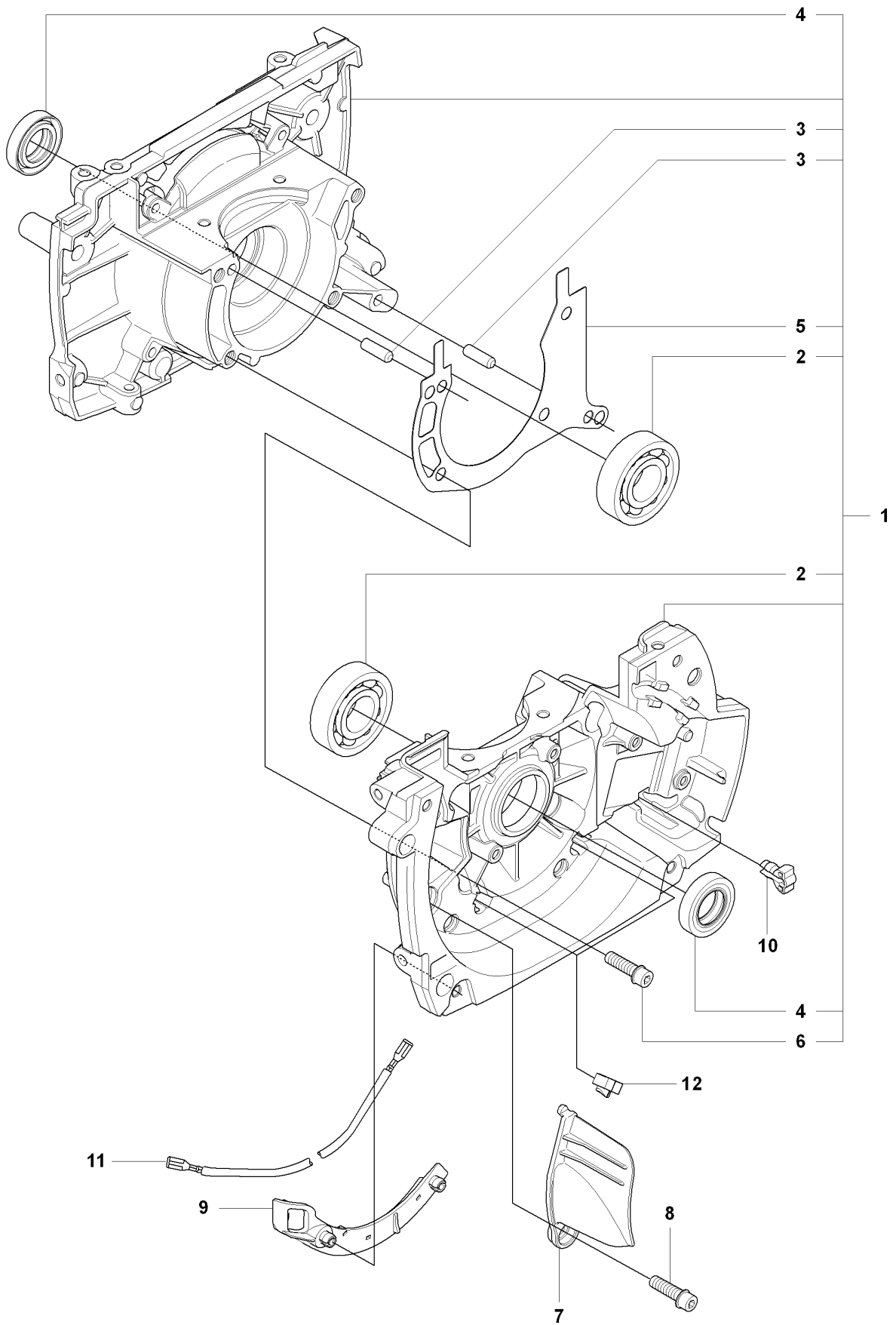
7 —  **Husqvarna**  
*X-Series*  
**355R**

## COVER

355 FX, 2008-07

Ref	Part No	Description	Remark	QTY KIT
1	544 08 12-02	CYLINDER COVER		1
2	503 20 07-76	SCREW IHSCFM		4
3	544 08 43-01	HEAT PROTECTOR		1
4	503 20 07-76	SCREW IHSCFM		2
5	537 35 13-01	PROTECTIVE COVER		1
6	503 20 07-76	SCREW IHSCFM		2
7	544 24 91-04	LABEL		1
7	544 24 91-01	LABEL		1
7	544 24 91-02	LABEL		1

**Q** 355

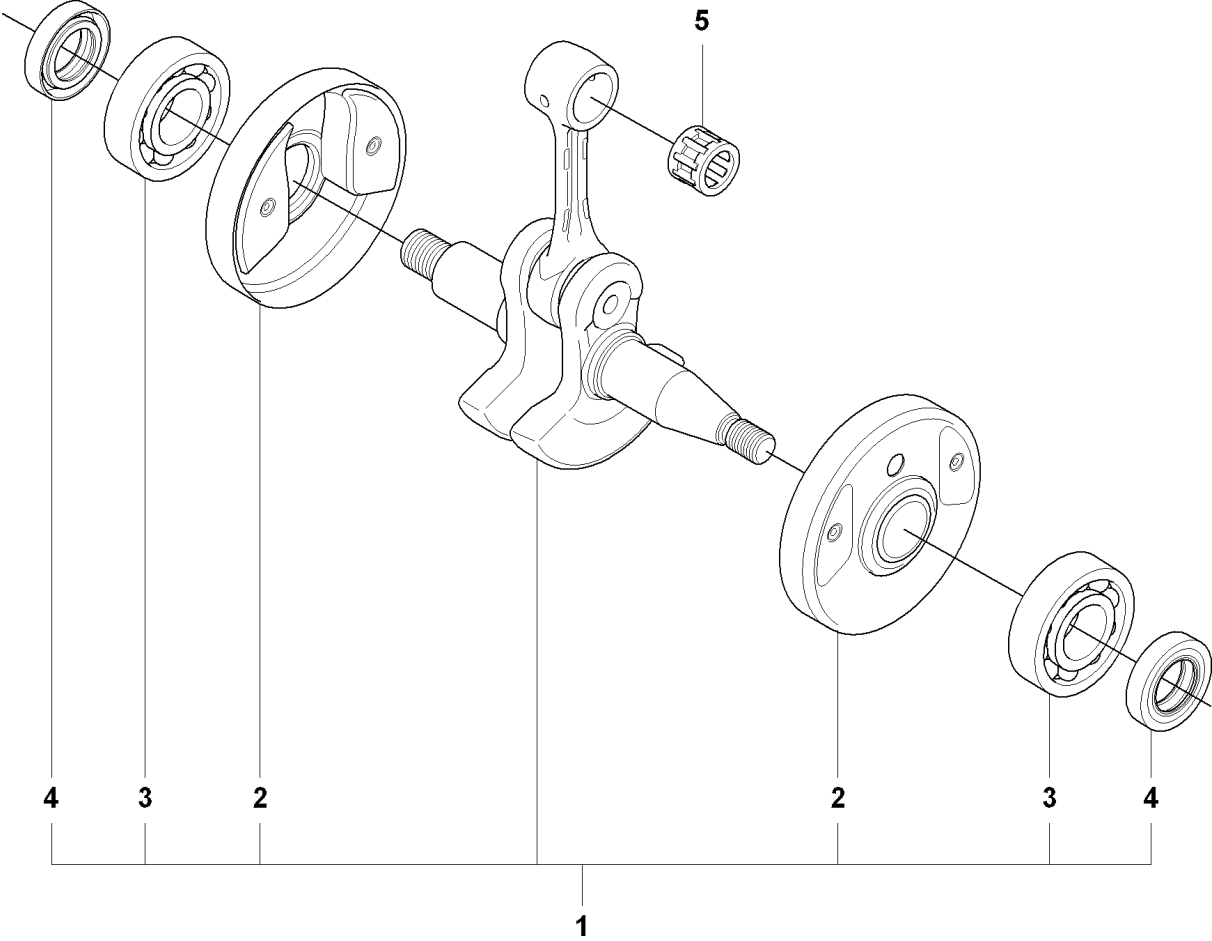


## CRANKCASE

355 FX, 2008-07

Ref	Part No	Description	Remark	QTY KIT
1	544 95 25-01	CRANKCASE		1
2	738 22 02-25	BALL BEARING		2
3	720 13 07-10	PARALLEL PIN		2
4	503 26 02-04	SEALING RING		2
5	537 34 67-01	CRANKCASE GASKET		1
6	725 53 33-55	SCREW IHSCM		5
7	544 09 45-01	NOZZLE		1
8	503 20 25-16	SCREW IHSCM		1
9	544 09 44-01	CABLE HOLDER		1
10	540 07 01-01	RETAINER		1
11	544 33 18-01	SHORT CIRCUIT CABLE		1
12	501 04 44-01	RETAINER		2

**P** 355

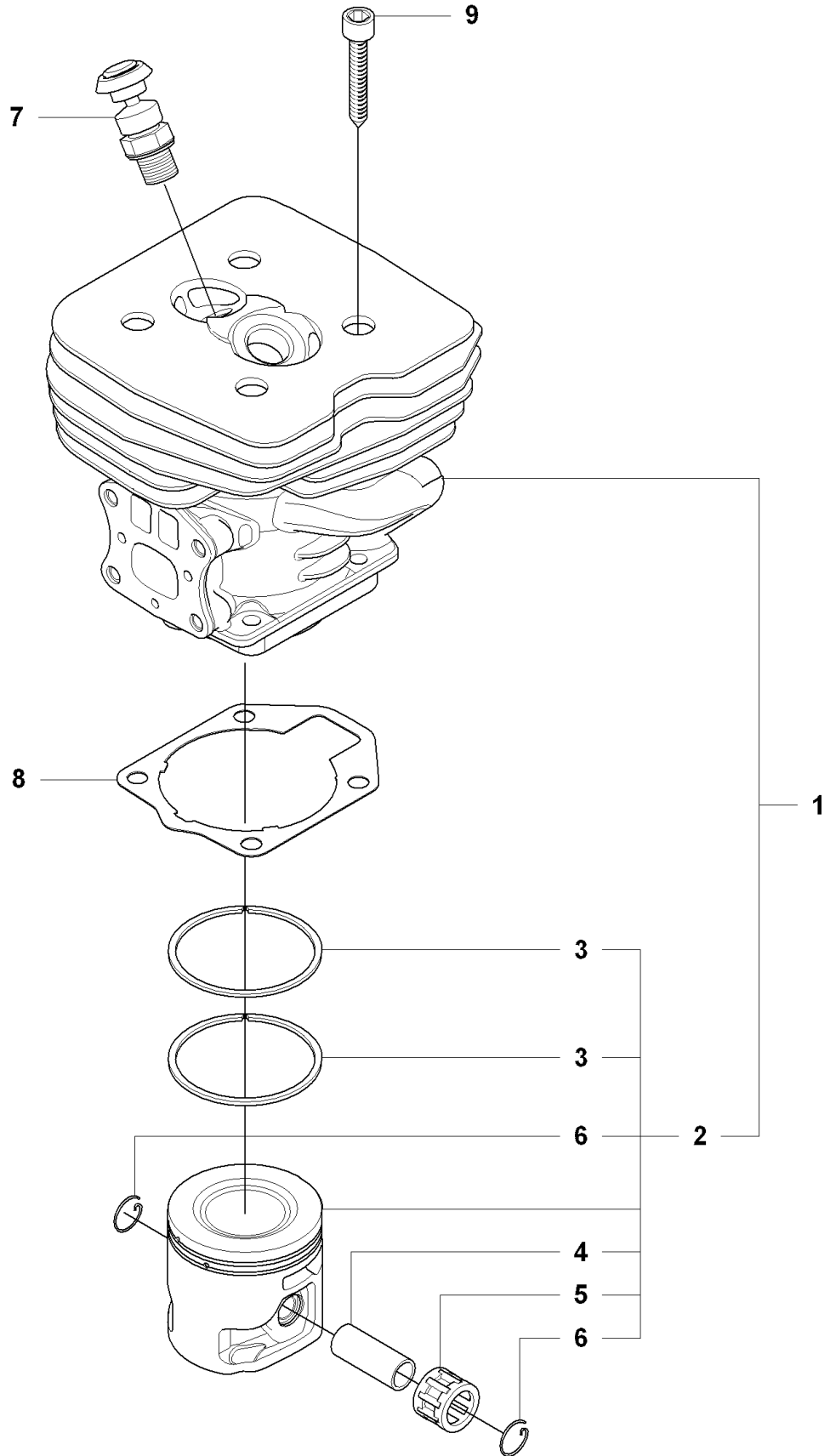


CRANKSHAFT

355 FX, 2008-07

Ref	Part No	Description	Remark	QTY KIT
1	544 95 26-02	CRANKSHAFT		1
2	544 01 01-01	CUP		2
3	738 22 02-25	BALL BEARING		2
4	503 26 02-04	SEALING RING		2
5	501 45 16-01	NEEDLE BEARING		1

**N** 355



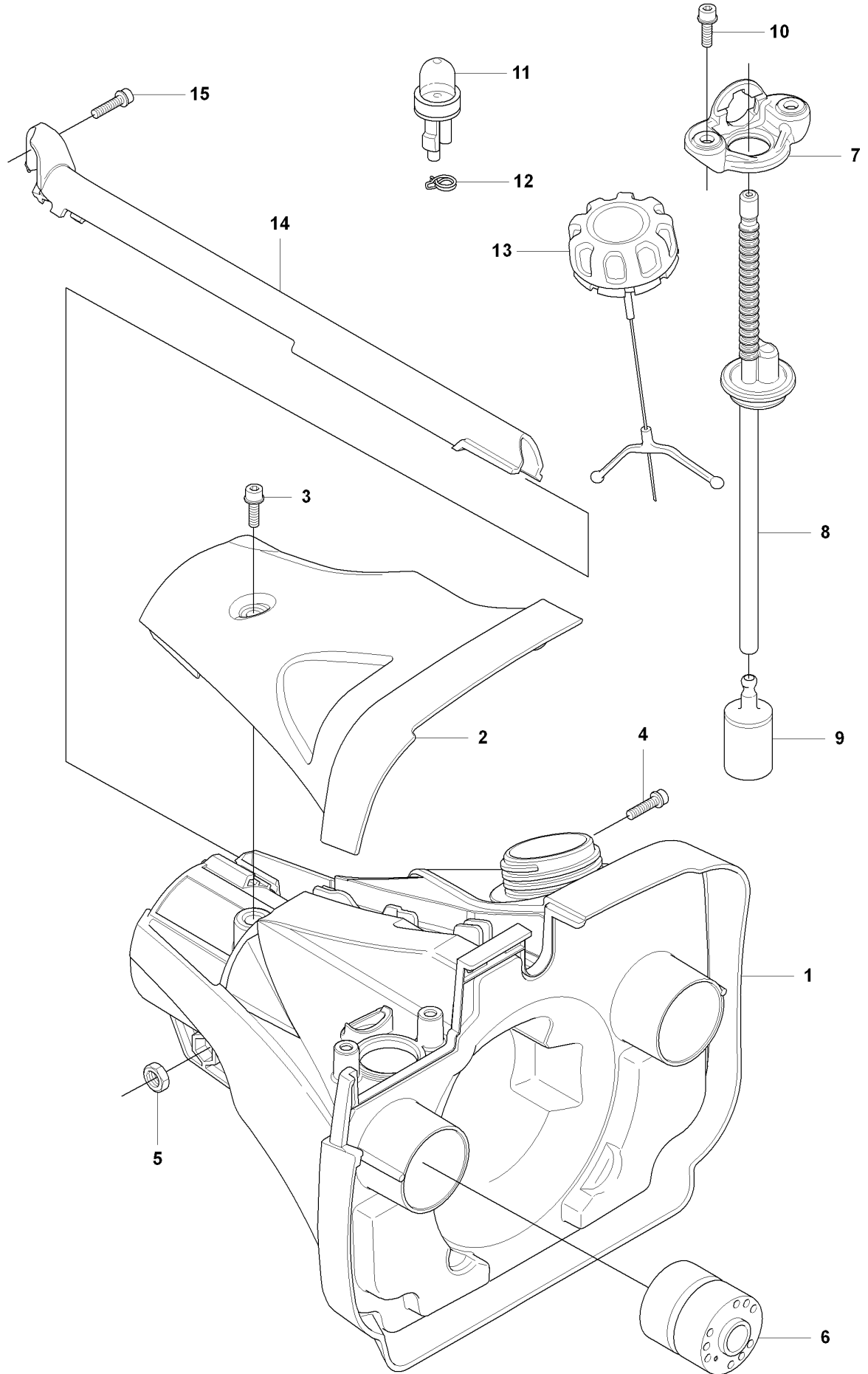


## CYLINDER PISTON

355 FX, 2008-07

Ref	Part No	Description	Remark	QTY	KIT
1	544 98 60-02	CYLINDER ASSY		1	
2	544 14 40-02	PISTON ASSY		1	1
3	544 14 41-01	PISTON RING		2	1, 2
4	544 14 37-01	PISTON PIN		1	1, 2
5	501 45 16-01	NEEDLE BEARING		1	1, 2
6	537 39 99-01	CIRCLIP		1	1, 2
7	544 20 00-01	DECOMPRESSION VALVE		1	
8	537 34 68-01	GASKET		1	
9	725 53 33-55	SCREW IHSCM		4	

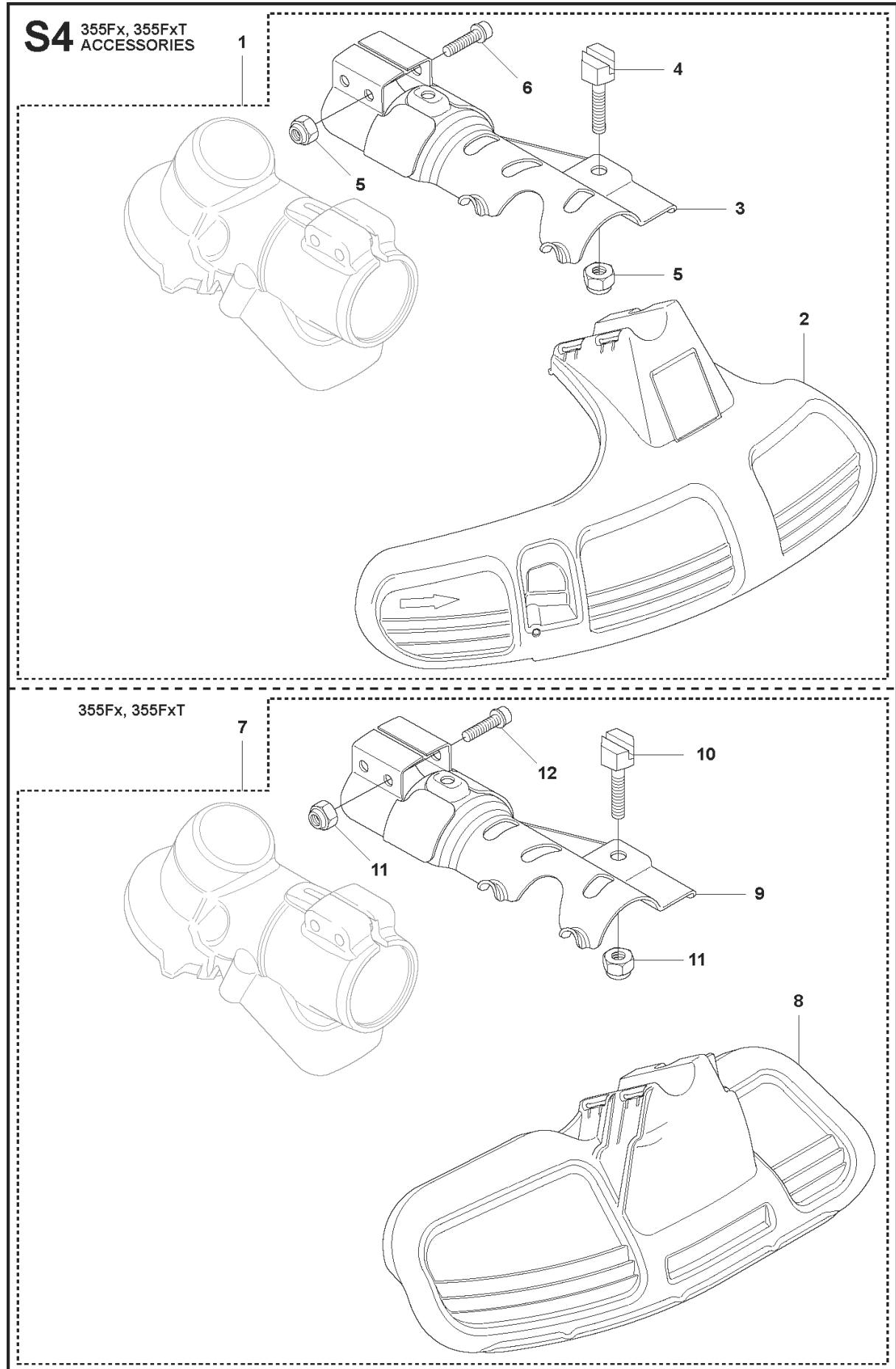
**D** 355



## FUEL TANK

355 FX, 2008-07

Ref	Part No	Description	Remark	QTY KIT
1	537 35 88-01	FUEL TANK		1
2	537 35 86-01	COVER		1
3	503 20 07-72	SCREW IHSCFM		1
4	503 20 07-76	SCREW IHSCFM		1
5	503 22 10-12	HEXAGON NUT		1
6	544 23 09-01	ANTIVIBRATION ELEMENT		2
7	544 21 53-01	BRACKET		1
8	544 21 54-01	FUEL HOSE		1
9	503 44 32-01	FILTER		1
10	503 20 07-76	SCREW IHSCFM		2
11	503 93 66-01	PRIMER HOUSING		1
12	544 34 86-01	HOSE CLAMP		1
13	504 11 32-01	TANK CAP		1
14	544 10 95-01	WIRING PROTECTION		1
14	544 10 95-02	WIRING PROTECTION		1
15	503 20 07-74	SCREW IHSCFM		1

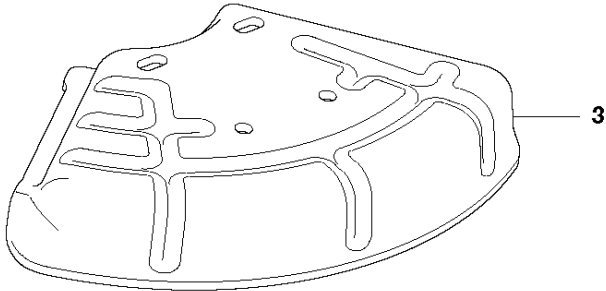
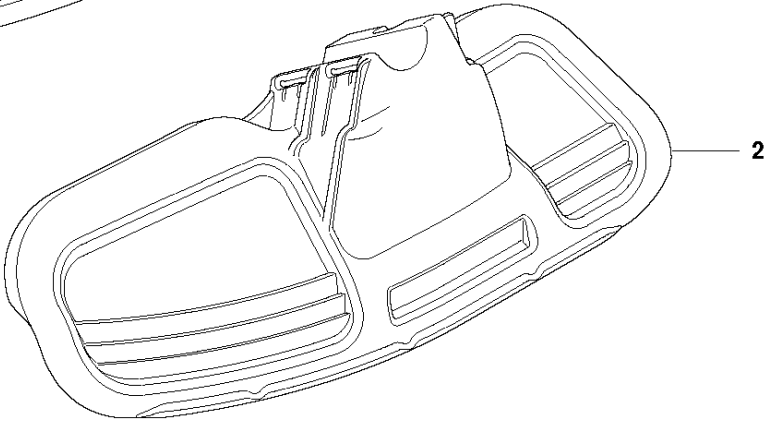
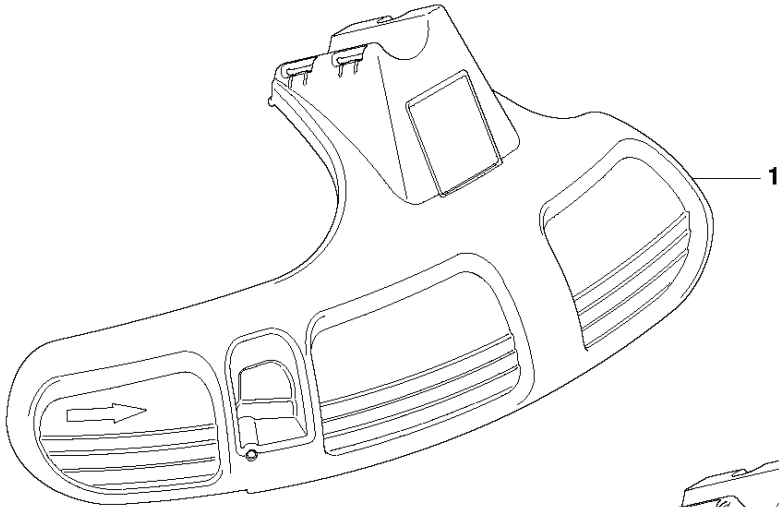


## GUARDS

355 FX, 2008-07

Ref	Part No	Description	Remark	QTY KIT
1	502 46 50-01	TRIMMER GUARD		1
2	544 10 74-02	TRIMMER GUARD		1
3	544 89 57-01	ATTACHMENT PLATE		1
4	537 18 95-01	SCREW		1
5	732 21 16-01	NUT		3
6	725 53 76-55	SCREW IHSCM		2
7	502 46 49-01	GRASS BLADE GUARD		1
8	544 16 03-01	TRIMMER GUARD		1
9	544 89 57-01	ATTACHMENT PLATE		1
10	537 18 95-01	SCREW		1
11	732 21 16-01	NUT		3
12	725 53 76-55	SCREW IHSCM		2

**S2**<sup>355</sup>

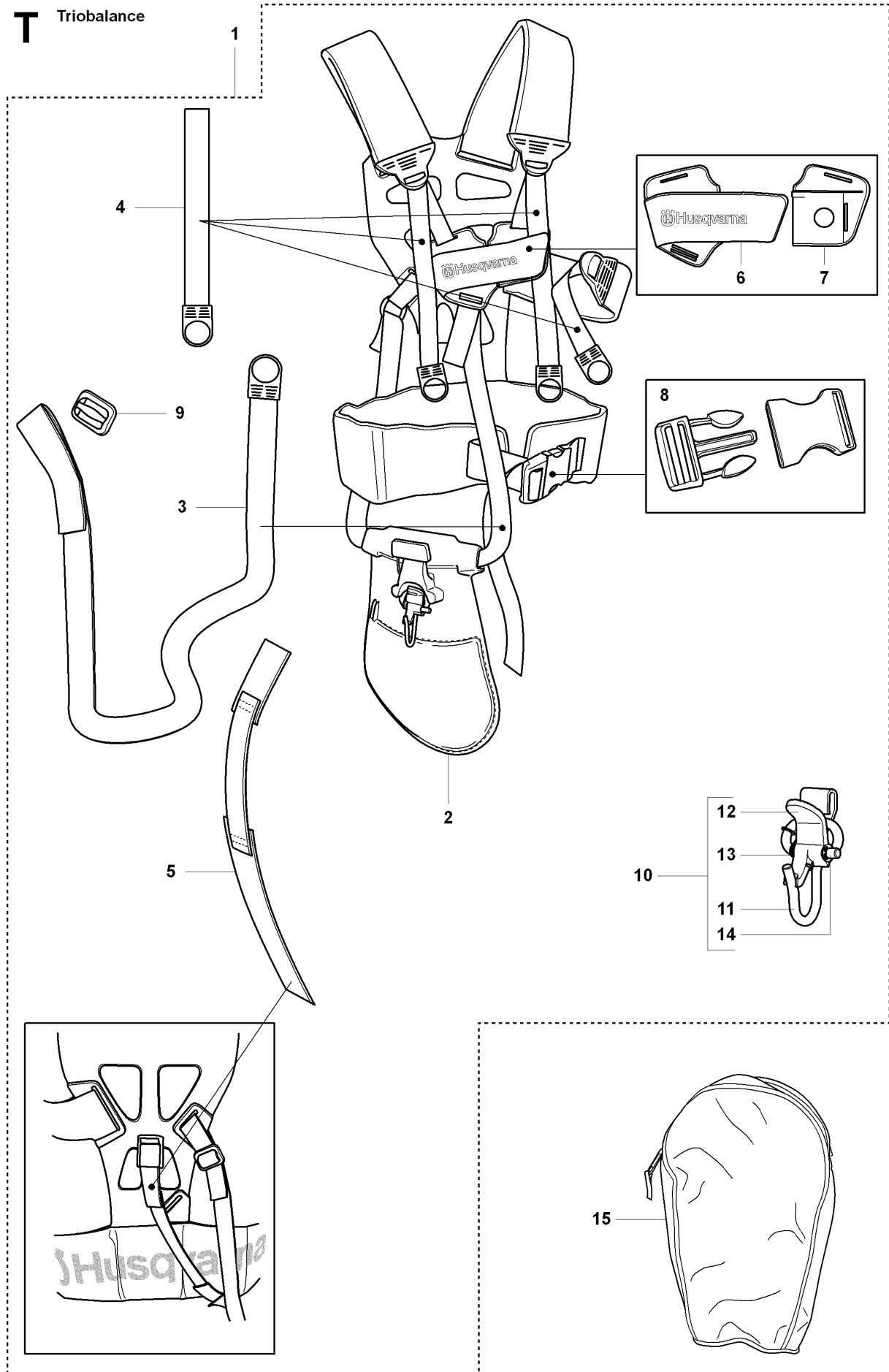


GUARDS

355 FX, 2008-07

Ref	Part No	Description	Remark	QTY KIT
1	544 10 74-02	TRIMMER GUARD	355RX	1
2	544 16 03-01	TRIMMER GUARD	355RX	1
3	544 01 65-01	SAW BLADE GUARD	355FX, 355FXT	1

**T** Triobalance



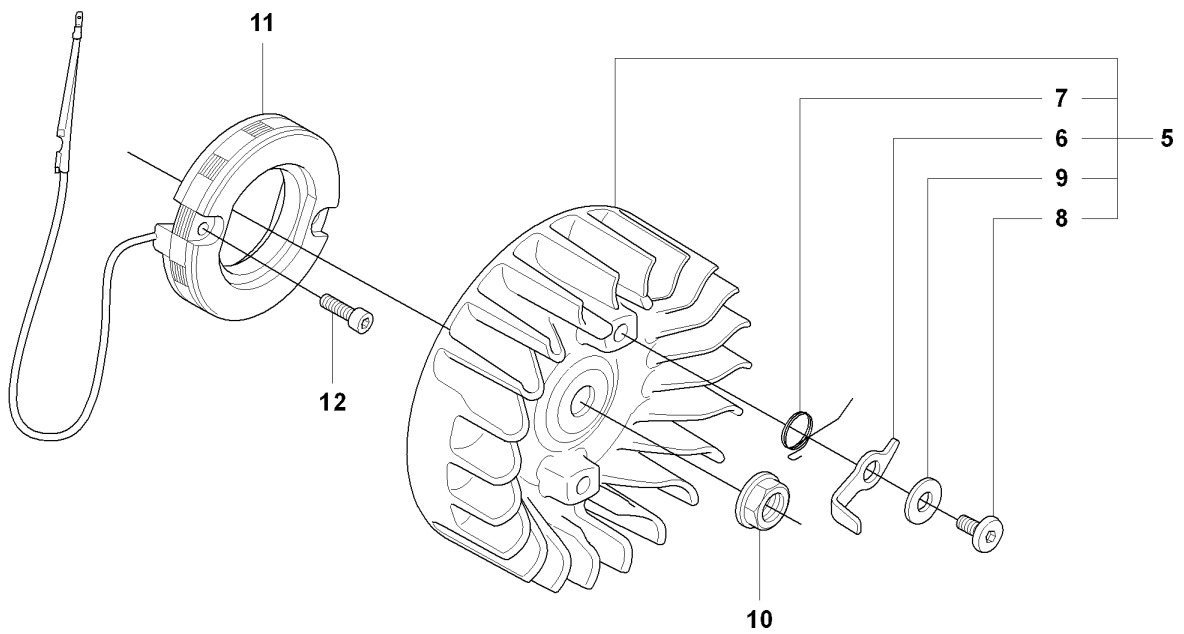
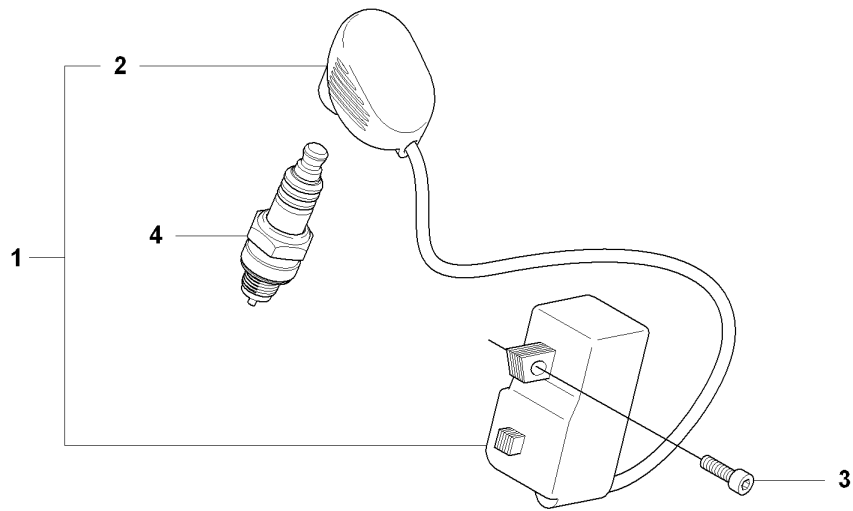


## HARNESS

355 FX, 2008-07

Ref	Part No	Description	Remark	QTY KIT
1	504 04 52-01	HARNESS		1
2	544 90 17-01	HIP PAD		1
3	503 99 61-04	BAND		1
4	503 99 61-01	BAND		3
5	537 15 35-01	STRAP		1
6	537 28 84-01	FRONT PIECE		1
7	537 28 83-01	FRONT PIECE		1
8	537 33 15-01	BUCKLE		1
9	537 11 35-01	RETAINER		1
10	544 96 07-02	WELT HOOK		1
11	502 02 29-02	HOOK		1
12	502 02 30-02	LOCK		1
13	502 02 38-01	SPRING		1
14	735 31 09-20	E-CLIP		1
15	537 30 66-01	BAG		1

**L** 355

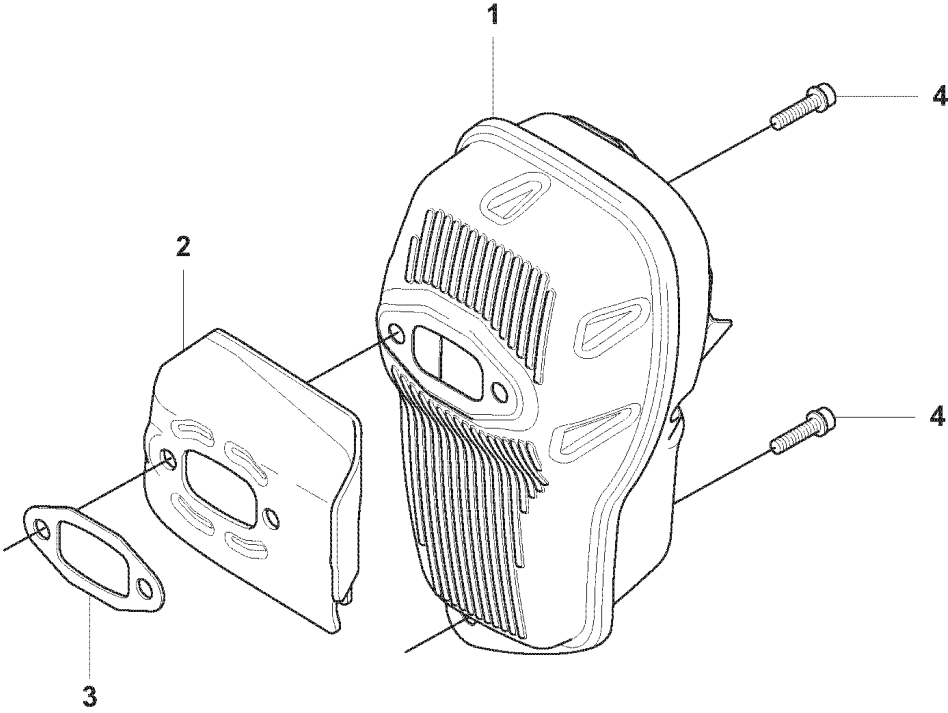


## IGNITION SYSTEM

355 FX, 2008-07

Ref	Part No	Description	Remark	QTY KIT
1	544 21 44-01	IGNITION SYSTEM		1
1	544 44 14-01	IGNITION MODULE		1
2	537 41 22-01	SPARK PLUG CAP		1
2	537 41 22-01	SPARK PLUG CAP		1
3	503 20 25-16	SCREW IHSCM		2
4	503 23 51-11	SPARK PLUG		1
5	537 24 05-01	FLYWHEEL ASSY		1
5	537 24 05-02	FLYWHEEL ASSY		1
6	503 81 24-01	STARTER PAWL		2
6	503 81 24-01	STARTER PAWL		2
7	503 81 29-01	SPRING		2
7	503 81 29-01	SPRING		2
8	501 81 99-03	SCREW		2
8	501 81 99-03	SCREW		2
9	503 23 00-42	WASHER		2
9	503 23 00-42	WASHER		2
10	503 22 04-01	NUT		1
11	537 25 63-02	GENERATOR STATOR		1
12	544 44 43-01	SCREW IHST		2

**H** 355

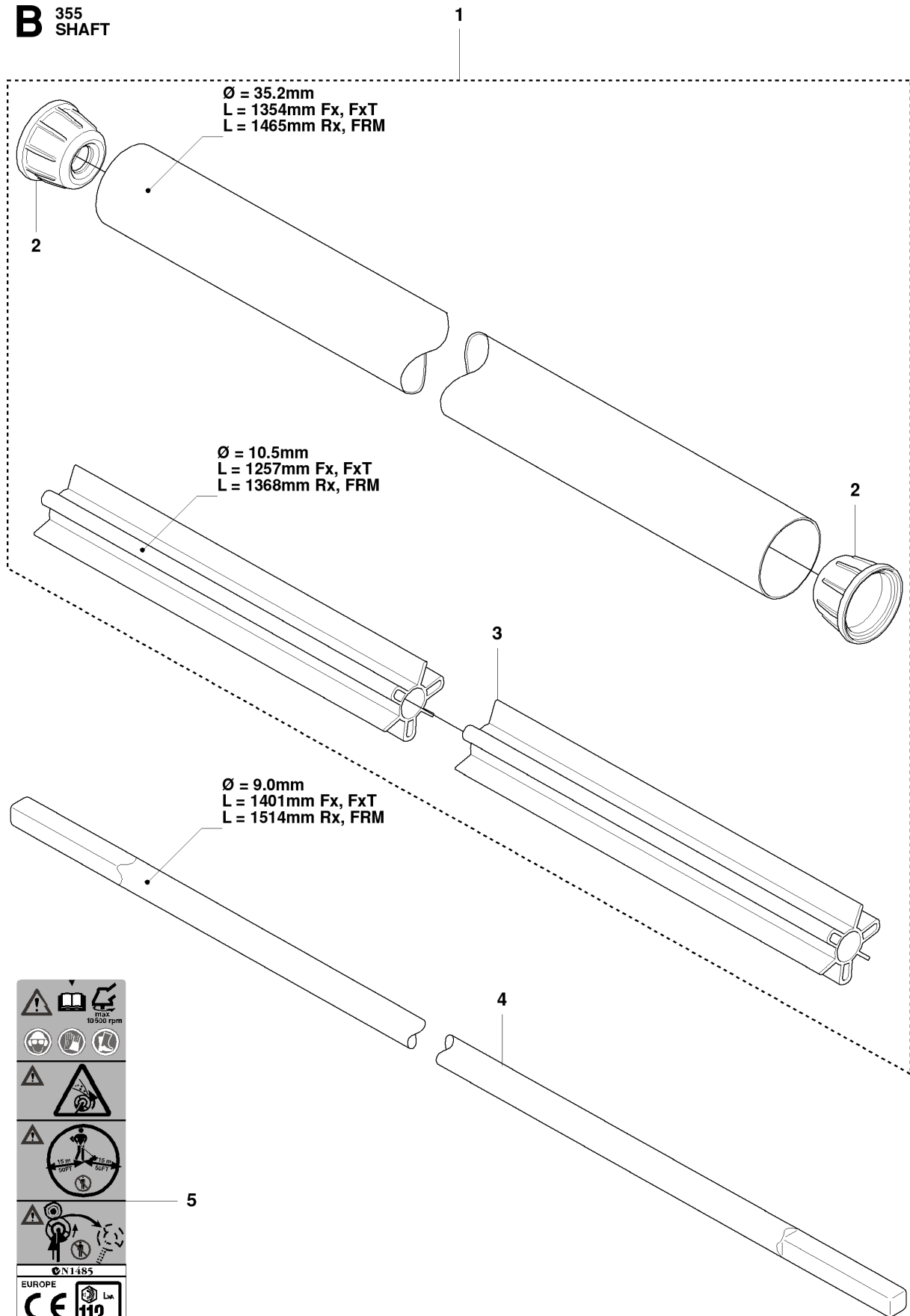


MUFFLER

355 FX, 2008-07

Ref	Part No	Description	Remark	QTY KIT
1	537 36 03-01	MUFFLER ASSY		1
2	537 34 57-01	PLATE		1
3	503 82 11-01	GASKET MUFFLER		1
4	503 20 02-20	SCREW IHSCFM		3
5	504 03 79-01	MUFFLER		1

**B** 355  
SHAFT



max 10500 rpm

113 dB

EUROPE

CE

PCF

MP4

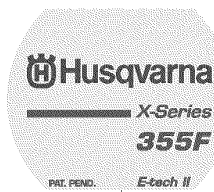
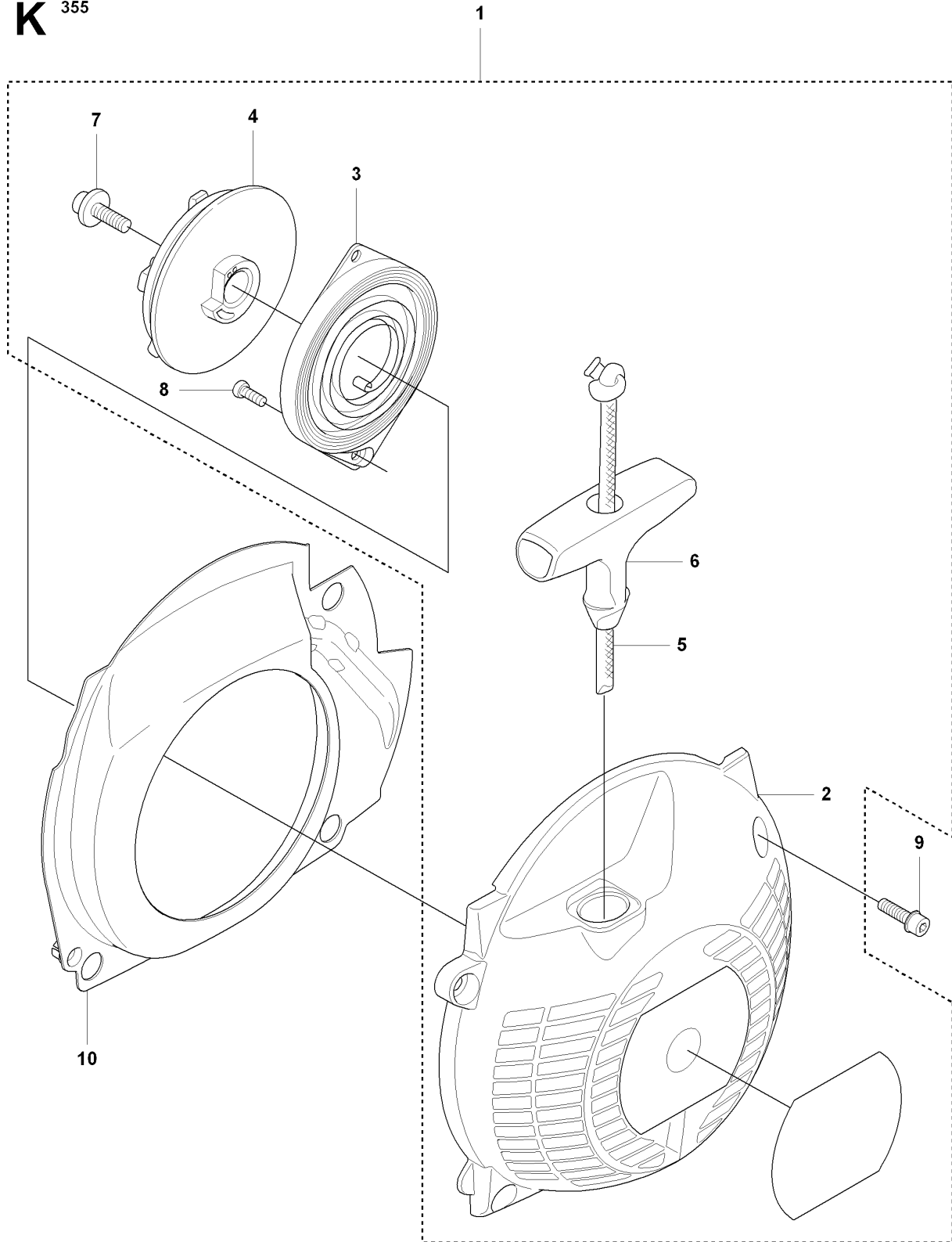
↓

## SHAFT

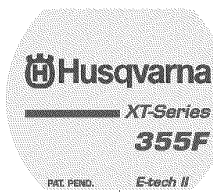
355 FX, 2008-07

Ref	Part No	Description	Remark	QTY KIT	
1	537 35 79-04	TUBE ASSY	RX, Incl. Pos. 2-4	1	
1	510 02 78-03	TUBE DRIVESHAFT ASSY	FX, FXT, Incl. Pos. 2-4, Reinforced	1	
1	510 02 78-04	TUBE DRIVESHAFT ASSY	FRM, Incl. Pos. 2-4	1	
2	544 32 05-01	SPACER		2	1
3	505 13 13-01	BEARING SHAFT	FX, FXT	1	1
3	505 13 13-02	BEARING SHAFT	FRM	1	1
3	544 86 85-02	BEARING SHAFT	RX	1	1
4	544 15 67-02	DRIVE SHAFT	RX, FRM	1	1
4	544 15 67-01	DRIVE SHAFT	FX, FXT	1	1
5	537 29 47-10	LABEL		1	

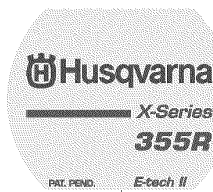
**K** 355



11



11



11



11

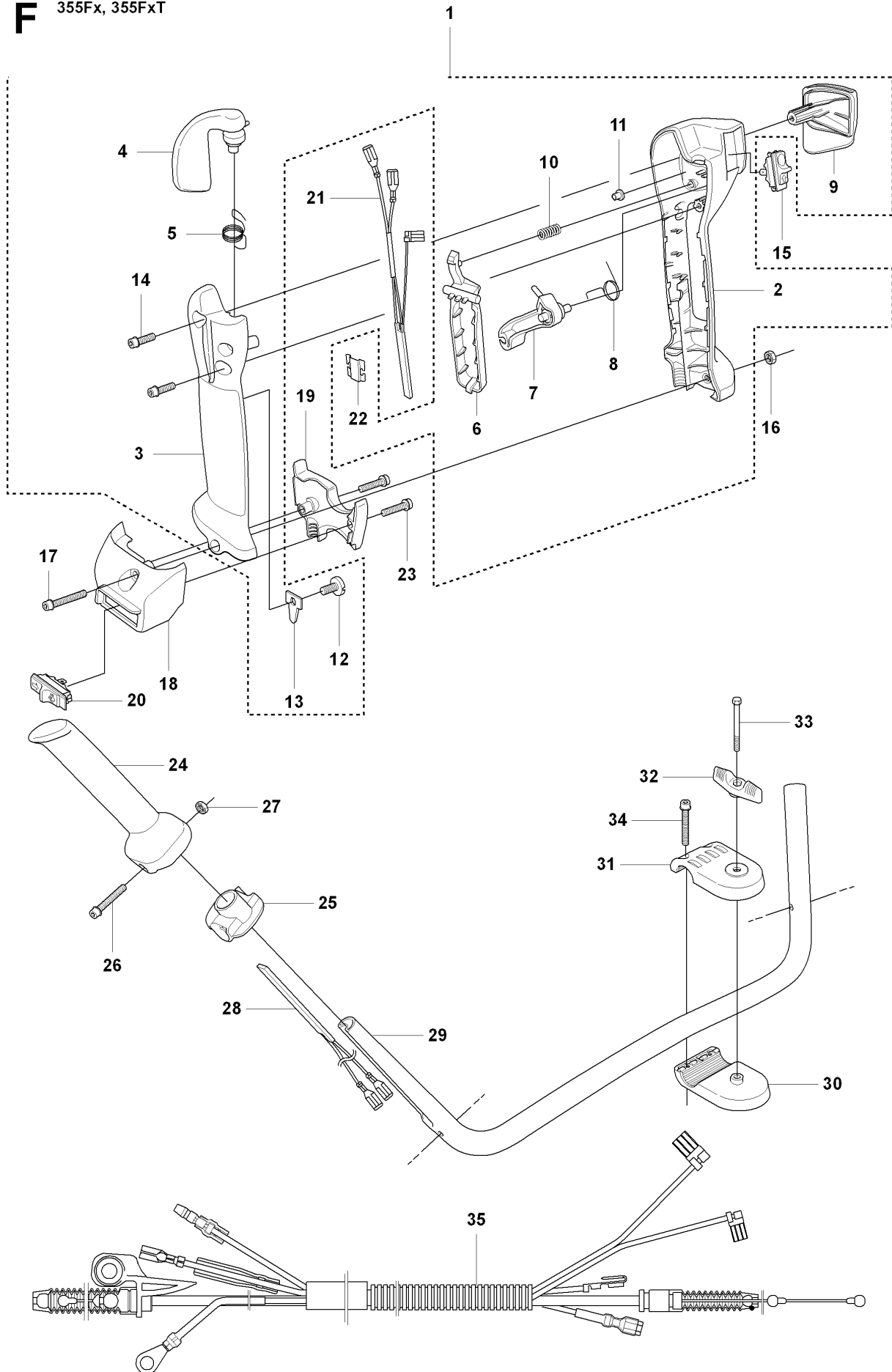


## STARTER

355 FX, 2008-07

Ref	Part No	Description	Remark	QTY KIT
1	537 34 54-01	STARTER		1
2	544 09 58-01	STARTER HOUSING		1
3	502 20 06-01	SPRING CASSETTE ASSY		1
4	503 95 73-01	STARTER PULLEY		1
5	505 30 51-25	STARTER CORD		1
6	537 23 25-01	STARTER HANDLE		1
7	503 21 69-16	SCREW IHST		1
8	503 21 29-06	SCREW CCRPANT		2
9	503 20 07-76	SCREW IHSCFM		4
10	537 34 56-01	AIR CONDUCTOR		1
11	544 24 90-04	LABEL		1
11	544 24 90-01	LABEL		1
11	544 24 90-02	LABEL		1
11	544 24 90-05	LABEL		1

**F** 355Fx, 355FxT

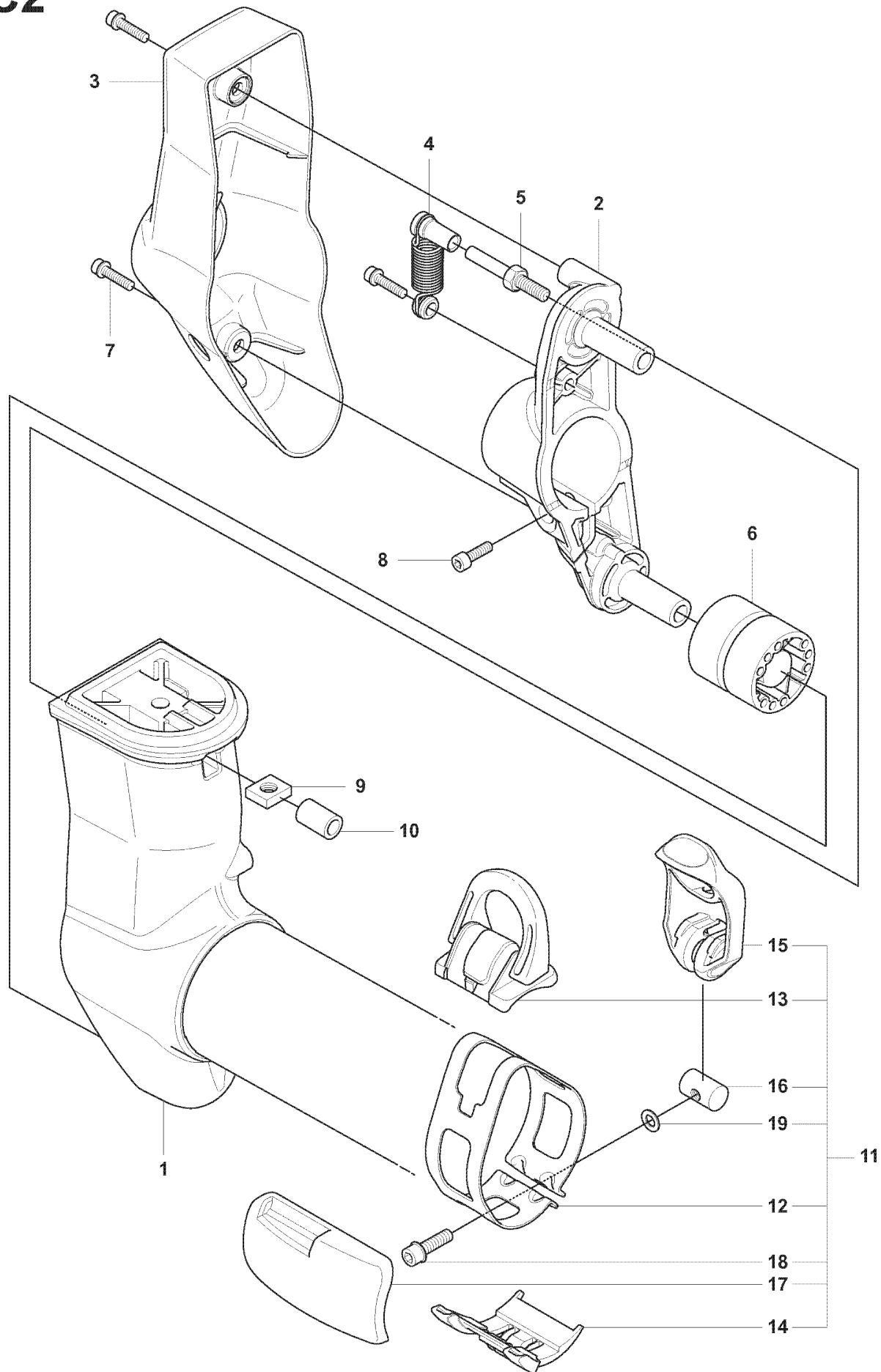


## THROTTLE CONTROLS

355 FX, 2008-07

Ref	Part No	Description	Remark	QTY KIT
1	537 19 72-13	THROTTLE HANDLE		1
2	537 15 52-01	HANDLE HALF RIGHT		1
3	537 15 53-01	HANDLE HALF LEFT		1
4	537 26 34-01	THROTTLE TRIGGER		1
5	537 28 37-01	SPRING THROTTLE TRIG		1
6	537 15 56-01	THROTTLE LOCKOUT		1
7	537 26 35-01	THROTTLE LEVER		1
8	537 34 27-01	SPRING		1
9	537 18 24-01	COVER		1
10	537 19 97-01	SPRING		1
11	537 30 72-01	SLEEVE		1
12	503 21 70-10	SCREW CCRPANT		1
13	537 25 11-01	SECURING PLATE		1
14	503 21 75-20	SCREW IHSCFT		2
15	537 41 90-01	SWITCH		1
16	731 23 14-05	HEXAGON NUT		1
17	503 20 02-35	SCREW IHSCFM		1
17	503 20 02-45	SCREW IHSCFM		1
18	537 20 15-01	RETAINER		1
19	537 20 16-01	RETAINER		1
20	503 71 82-02	SWITCH		1
21	537 22 71-01	ELEMENT		1
22	537 26 51-01	SECURING PLATE		2
23	503 21 71-20	SCREW IHSCFT		2
24	537 17 28-05	HANDLE		1
25	537 17 29-02	BRACKET		1
26	503 20 02-45	SCREW IHSCFM		1
27	731 23 14-05	HEXAGON NUT		1
28	537 22 72-01	ELEMENT		1
29	503 95 86-02	HANDLEBAR		1
30	537 12 91-01	HANDLEBAR BRACKET		1
31	537 12 90-01	HANDLEBAR BRACKET		1
32	502 20 38-01	KNOB		1
33	725 23 82-85	SCREW EHHM		1
34	503 20 02-25	SCREW IHSCFM		2
35	537 40 34-01	WIRING		1
35	537 40 34-02	WIRING		1

**C2** 355Fx, 355FxT, 355FRM



Ref	Part No	Description	Remark	QTY KIT
1	544 24 59-01	SUSPENSION		1
1	544 24 59-03	SUSPENSION		1
2	544 37 83-01	RETAINER		1
3	544 37 85-01	COVER		1
4	544 36 99-01	SPRING		1
5	544 36 77-01	PARALLEL PIN		1
6	544 23 09-01	ANTIVIBRATION ELEMENT		2
7	503 20 07-74	SCREW IHSCFM		3
8	725 53 72-65	SCREW IHSCM		1
9	502 19 71-01	SQUARE NUT		1
10	503 85 73-02	COVER		1
11	504 02 38-01	LOOP		1
12	537 39 57-01	BAND		1
13	537 20 18-03	LOOP		1
14	537 42 74-01	GUIDE RAIL		1
15	537 42 70-01	LEVER		1
16	537 42 73-01	NUT		1
17	544 25 07-01	WEAR PROTECTION		1
18	503 20 07-25	SCREW IHSCFM		1
19	503 23 00-11	WASHER		1

## Free Manuals Download Website

<http://myh66.com>

<http://usermanuals.us>

<http://www.somanuals.com>

<http://www.4manuals.cc>

<http://www.manual-lib.com>

<http://www.404manual.com>

<http://www.luxmanual.com>

<http://aubethermostatmanual.com>

Golf course search by state

<http://golfingnear.com>

Email search by domain

<http://emailbydomain.com>

Auto manuals search

<http://auto.somanuals.com>

TV manuals search

<http://tv.somanuals.com>