

EN Operator's Manual, 7-31

SE Bruksanvisning, 32-56

DK Brugsanvisning, 57-81

NO Bruksanvisning, 82-106

FI Käyttöohje, 107-132

FR Manuel d'utilisation, 133-160

DE Bedienungsanweisung, 161-188

NL Gebruiksaanwijzing, 189-216

ES Manual de instrucciones, 217-244

PT Instruções para o uso, 245-272

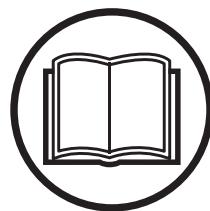
IT Istruzioni per l'uso, 273-299

EE Käsitsemisõpetus, 300-323

LV Lietošanas pamācība, 324-347

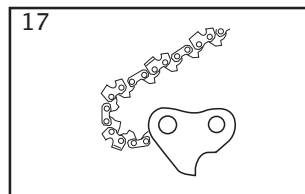
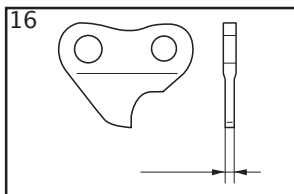
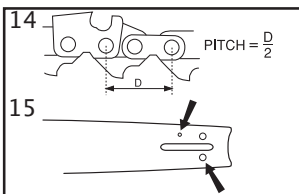
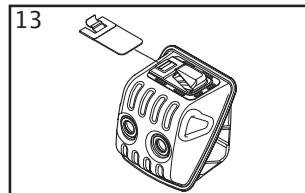
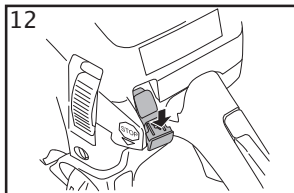
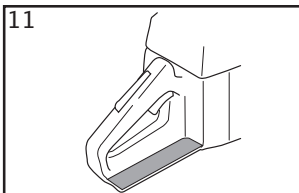
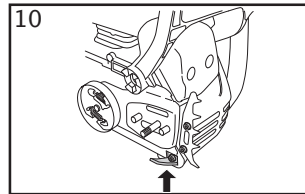
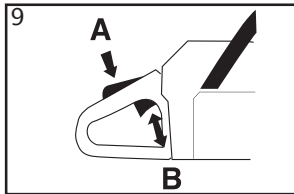
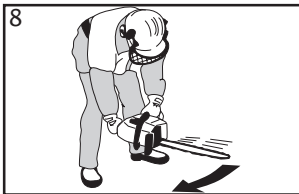
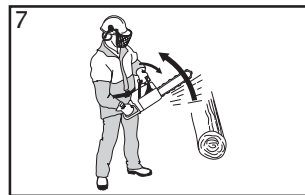
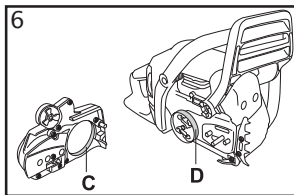
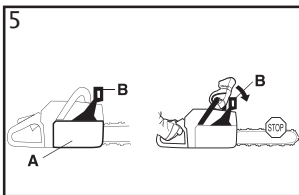
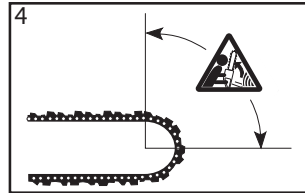
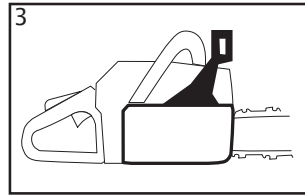
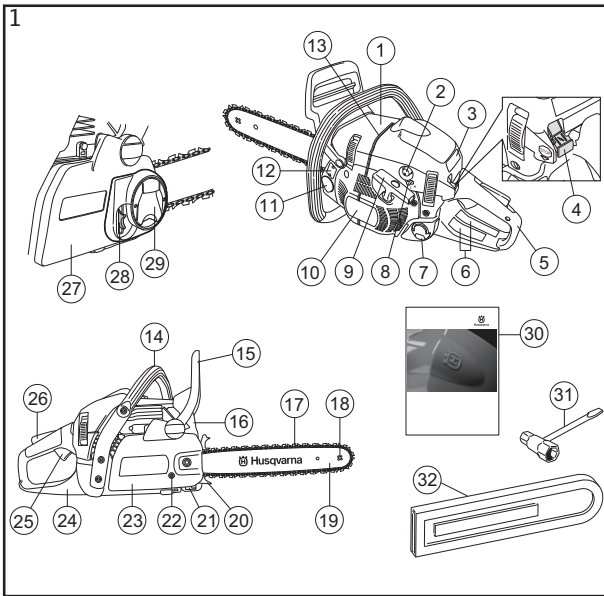
LT Naudojimosi instrukcijos, 348-372

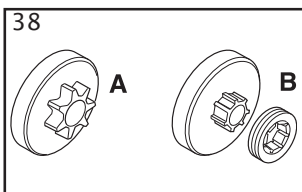
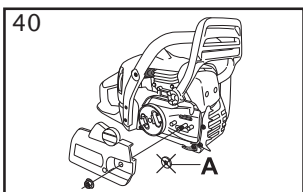
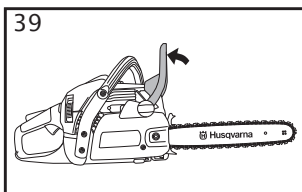
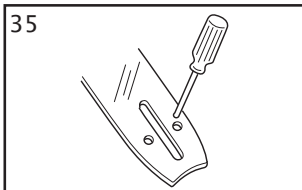
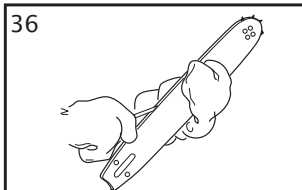
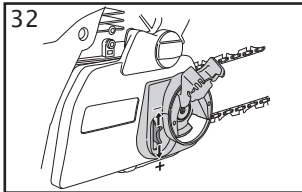
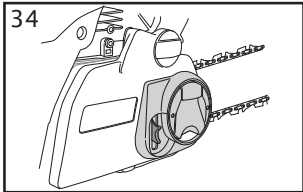
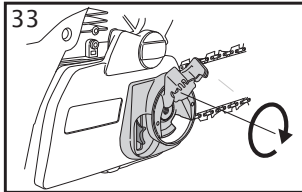
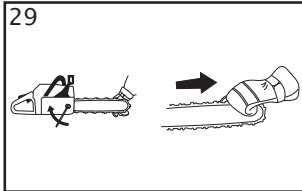
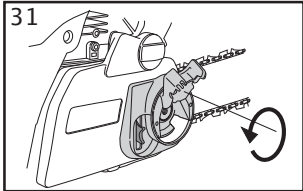
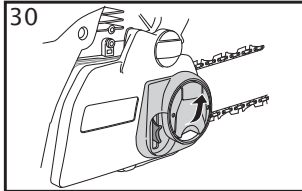
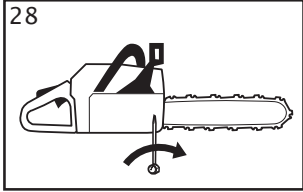
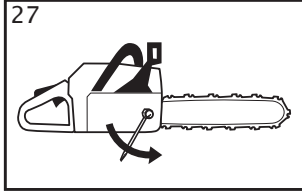
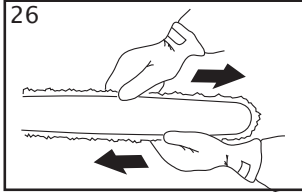
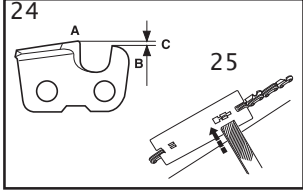
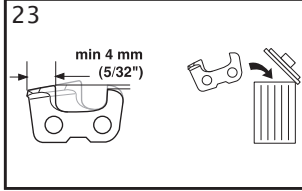
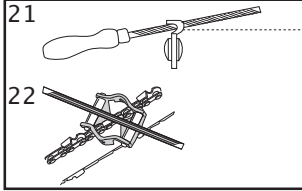
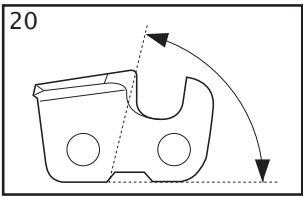
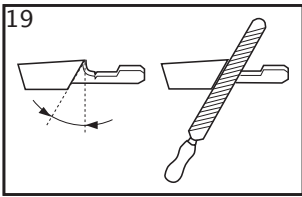
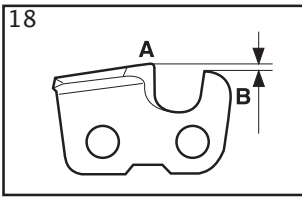
SI Navodila za uporabo, 373-396

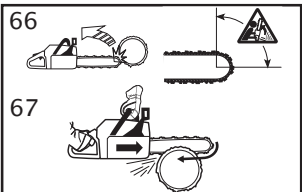
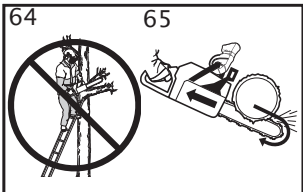
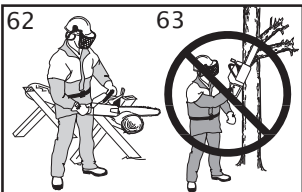
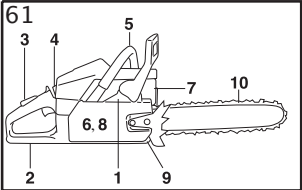
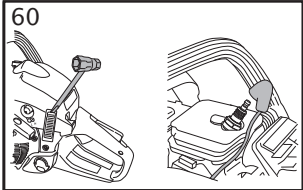
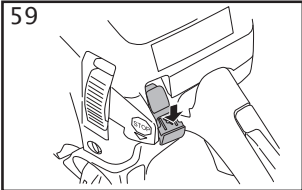
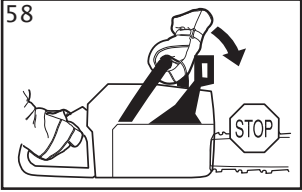
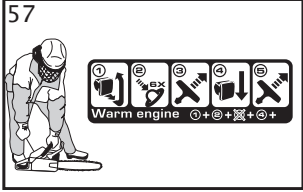
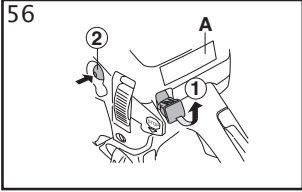
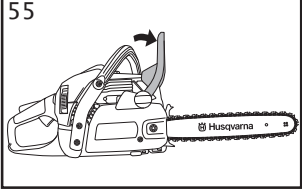
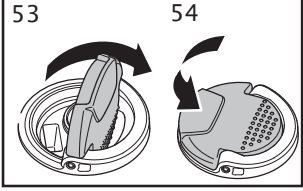
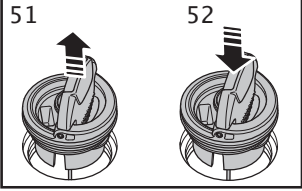
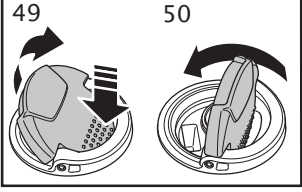
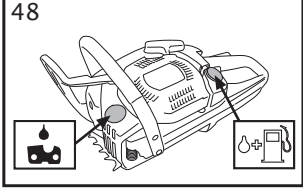
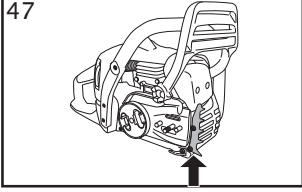
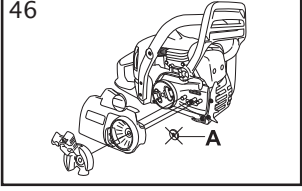
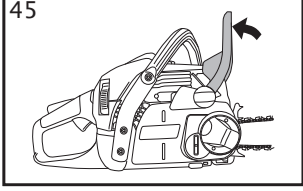
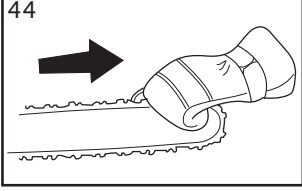
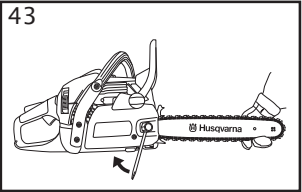
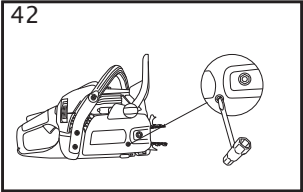
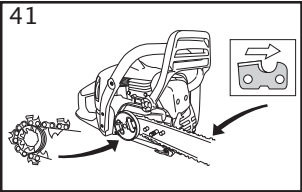


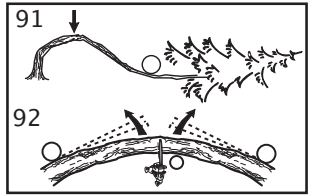
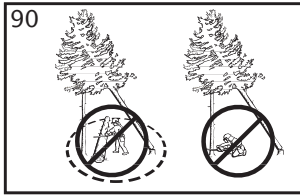
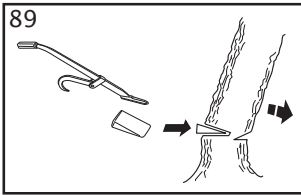
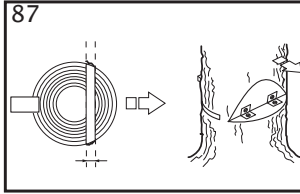
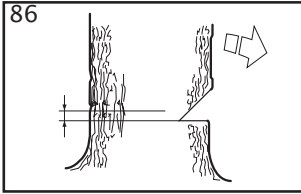
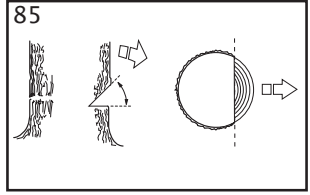
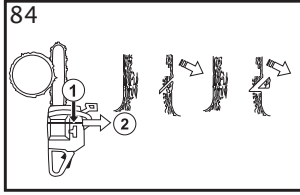
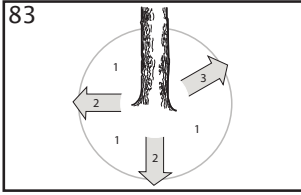
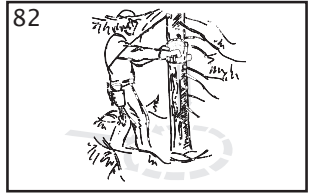
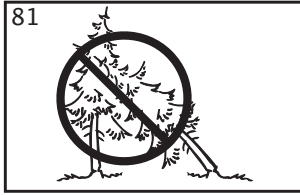
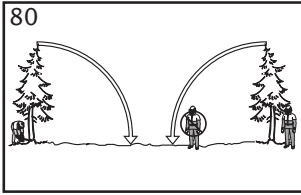
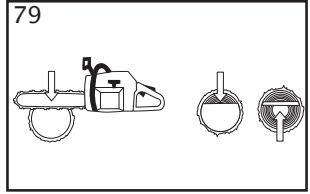
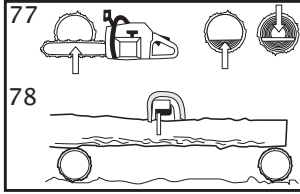
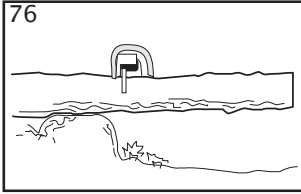
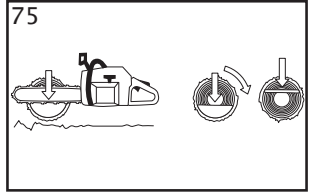
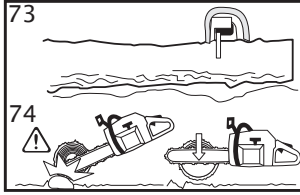
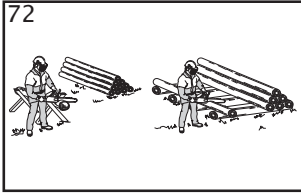
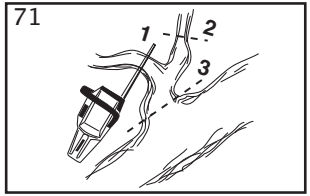
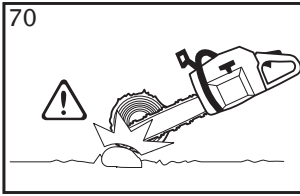
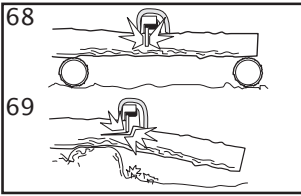
435 II, 435e II

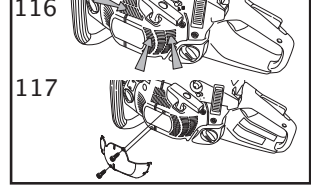
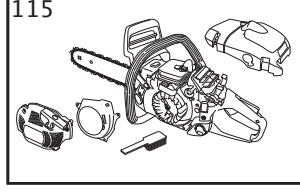
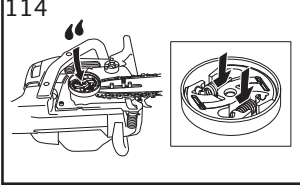
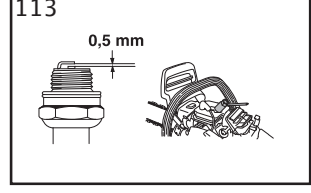
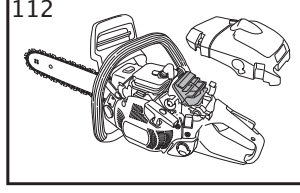
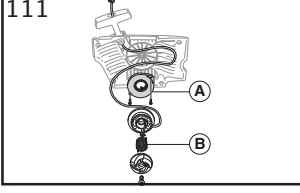
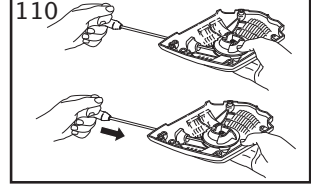
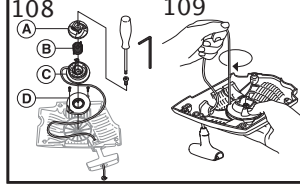
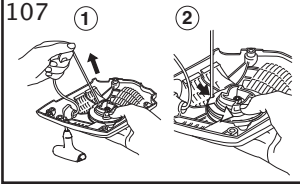
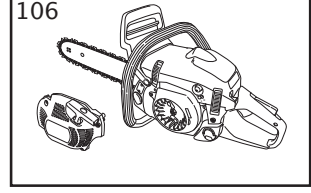
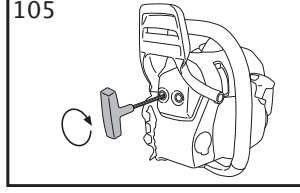
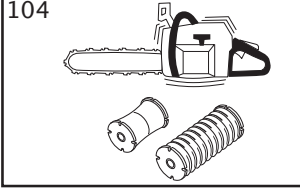
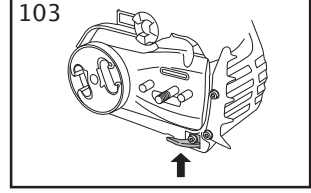
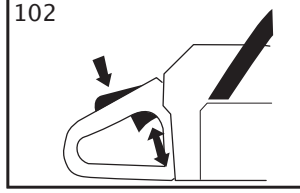
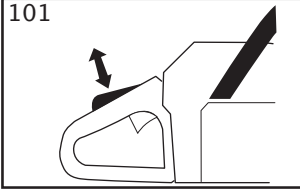
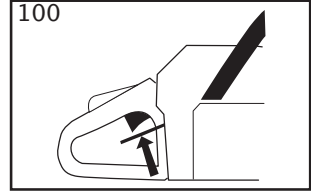
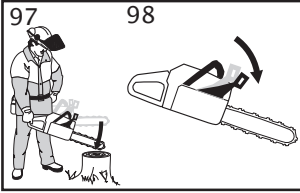
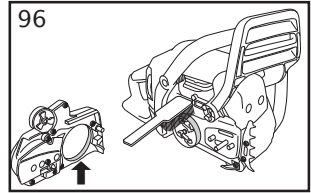
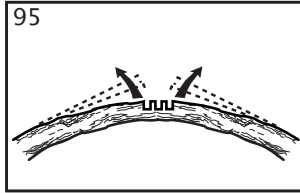
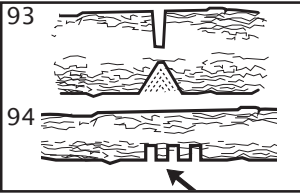
440 II, 440e II











KEY TO SYMBOLS

Symbols on the machine:

WARNING! Chain saws can be dangerous! Careless or incorrect use can result in serious or fatal injury to the operator or others.

Please read the operator's manual carefully and make sure you understand the instructions before using the machine.

Always wear:

- Approved protective helmet
- Approved hearing protection
- Protective goggles or a visor

This product is in accordance with applicable EC directives.

Noise emission to the environment according to the European Community's Directive. The machine's emission is specified in the Technical data chapter and on the label.

Ignition; choke: Set the choke control in the choke position. This should automatically set the stop switch to the start position.

Refuelling.

Chain oil fill.

Air purge

Adjustment of the oil pump.

Chain brake, activated (right) Chain brake, not activated (left)



Other symbols/decals on the machine refer to special certification requirements for certain markets.

Symbols in the operator's manual:

Switch off the engine before carrying out any checks or maintenance.

CAUTION! The start/stop switch automatically returns to run position.

In order to prevent unintentional starting, the spark plug cap must be removed from the spark plug when assembling, checking and/or performing maintenance.

Always wear approved protective gloves.

Regular cleaning is required.

Visual check.

Protective goggles or a visor must be worn.

Refuelling.

Filling with oil and adjusting oil flow.

The chain brake must be engaged when the chain saw is started.

WARNING! Kickback may occur when the nose or tip of the guide bar touches an object, and cause a lightning fast reverse reaction, kicking the guide bar up and towards the operator. May cause serious personal injury.



CONTENTS

Contents

KEY TO SYMBOLS

Symbols on the machine: 7

Symbols in the operator's manual: 7

CONTENTS

Contents 8

INTRODUCTION

Dear Customer, 9

WHAT IS WHAT?

What is what on the chain saw? 9

GENERAL SAFETY PRECAUTIONS

Before using a new chain saw 10

Important 10

Always use common sense 11

Personal protective equipment 11

Machine's safety equipment 11

Cutting equipment 13

ASSEMBLY

Fitting the bar and chain 17

FUEL HANDLING

Fuel 18

Fueling 19

Fuel safety 19

STARTING AND STOPPING

Starting and stopping 20

WORKING TECHNIQUES

Before use: 21

General working instructions 21

How to avoid kickback 24

MAINTENANCE

General 25

Carburettor adjustment 25

Checking, maintaining and servicing chain saw
safety equipment 25

Muffler 26

Starter 26

Air filter 27

Spark plug 27

Needle bearing lubrication 27

Cooling system 27

"Air Injection" centrifugal cleaning 28

Winter use 28

Maintenance schedule 29

TECHNICAL DATA

Technical data 30

Guide bar and saw chain combinations 31

Saw chain filing and file gauges 31

EC Declaration of Conformity 31

INTRODUCTION

Dear Customer,

Congratulations on your choice to buy a Husqvarna product! Husqvarna is based on a tradition that dates back to 1689, when the Swedish King Karl XI ordered the construction of a factory on the banks of the Husqvarna River, for production of muskets. The location was logical, since water power was harnessed from the Husqvarna River to create the water-powered plant. During the more than 300 years in existence, the Husqvarna factory has produced a lot of different products, from wood stoves to modern kitchen appliances, sewing machines, bicycles, motorcycles etc. In 1956, the first motor driven lawn mowers appeared, followed by chain saws in 1959, and it is within this area Husqvarna is working today.

Today Husqvarna is one of the leading manufacturers in the world of forest and garden products, with quality as our highest priority. The business concept is to develop, manufacture and market motor-driven products for forestry and gardening, as well as for the building and construction industry. Husqvarna's aim is also to be at the front edge for ergonomics, usability, security and environmental protection. That is the reason why we have developed many different features to add to our products within these areas.

We are convinced that you will appreciate with great satisfaction the quality and performance of our product for a very long time to come. The purchase of one of our products gives you access to professional help with repairs and service whenever this may be necessary. If the retailer who sells your machine is not one of our authorised dealers, ask for the address of your nearest service workshop.

It is our wish that you will be satisfied with your product and that it will be your companion for a long time. Think of this operator's manual as a valuable document. By following its content (usage, service, maintenance, etc), the life span and the second-hand value of the machine can be extended. If you sell this machine, make sure that the operator's manual is passed on to the buyer.

Thank you for using a Husqvarna product.

Husqvarna AB has a policy of continuous product development and therefore reserves the right to modify the design and appearance of products without prior notice.

What is what on the chain saw? (1)

- 1 Cylinder cover
- 2 Air purge
- 3 Start reminder
- 4 Combined start and stop switch
- 5 Rear handle
- 6 Information and warning decal
- 7 Fuel tank
- 8 Adjuster screws carburettor
- 9 Starter handle
- 10 Starter
- 11 Chain oil tank
- 12 Product and serial number plate
- 13 Felling direction mark
- 14 Front handle
- 15 Front hand guard
- 16 Muffler
- 17 Saw chain
- 18 Bar tip sprocket
- 19 Guide bar
- 20 Spike bumper
- 21 Chain catcher
- 22 Chain tensioning screw (435 II, 440 II)
- 23 Clutch cover (435 II, 440 II)
- 24 Right hand guard
- 25 Throttle trigger
- 26 Throttle lockout
- 27 Clutch cover (435e II, 440e II)
- 28 Chain tensioner wheel
- 29 Knob
- 30 Operator's manual
- 31 Combination spanner
- 32 Guide bar cover

GENERAL SAFETY PRECAUTIONS

Before using a new chain saw

- Please read this manual carefully.
- (1) - (117) refer to figures on p. 2-6.
- Check that the cutting equipment is correctly fitted and adjusted. See instructions under the heading Assembly.
- Refuel and start the chain saw. See the instructions under the headings Fuel Handling and Starting and Stopping.
- Do not use the chain saw until sufficient chain oil has reached the chain. See instructions under the heading Cutting equipment.
- Long-term exposure to noise can result in permanent hearing impairment. So always use approved hearing protection.



WARNING! Under no circumstances may the design of the machine be modified without the permission of the manufacturer. Always use original accessories. Non-authorized modifications and/or accessories can result in serious personal injury or the death of the operator or others.



WARNING! A chain saw is a dangerous tool if used carelessly or incorrectly and can cause serious, even fatal injuries. It is very important that you read and understand the contents of this operator's manual.



WARNING! The inside of the muffler contain chemicals that may be carcinogenic. Avoid contact with these elements in the event of a damaged muffler.



WARNING! Long term inhalation of the engine's exhaust fumes, chain oil mist and dust from sawdust can represent a health risk.



WARNING! This machine produces an electromagnetic field during operation. This field may under some circumstances interfere with active or passive medical implants. To reduce the risk of serious or fatal injury, we recommend persons with medical implants to consult their physician and the medical implant manufacturer before operating this machine.



WARNING! Never allow children to use or be in the vicinity of the machine. As the machine is equipped with a spring-loaded stop switch and can be started by low speed and force on the starter handle, even small children under some circumstances can produce the force necessary to start the machine. This can mean a risk of serious personal injury. Therefore remove the spark plug cap when the machine is not under close supervision.

Important

IMPORTANT!

This chain saw for forest service is designed for forest work such as felling, limbing and cutting.

National regulation can restrict the use of the machine.

You should only use the saw with the bar and chain combinations we recommend in the chapter Technical data.

Never use the machine if you are fatigued, while under the influence of alcohol or drugs, medication or anything that could affect your vision, alertness, coordination or judgement.

Wear personal protective equipment. See instructions under the "Personal protective equipment" heading.

Do not modify this product or use it if it appears to have been modified by others.

Never use a machine that is faulty. Carry out the safety checks, maintenance and service instructions described in this manual. Some maintenance and service measures must be carried out by trained and qualified specialists. See instructions under the Maintenance heading.

Never use any accessories other than those recommended in this manual. See instructions under the headings Cutting equipment and Technical data.

CAUTION! Always wear protective glasses or a face visor to reduce the risk of injury from thrown objects. A chain saw is capable of throwing objects, such as wood chips, small pieces of wood, etc, at great force. This can result in serious injury, especially to the eyes.



WARNING! Running an engine in a confined or badly ventilated area can result in death due to asphyxiation or carbon monoxide poisoning.



WARNING! Faulty cutting equipment or the wrong combination of bar and saw chain increases the risk of kickback! Only use the bar/saw chain combinations we recommend, and follow the filing instructions. See instructions under the heading Technical data.

GENERAL SAFETY PRECAUTIONS

Always use common sense (2)

It is not possible to cover every conceivable situation you can face when using a chain saw. Always exercise care and use your common sense. Avoid all situations which you consider to be beyond your capability. If you still feel uncertain about operating procedures after reading these instructions, you should consult an expert before continuing. Do not hesitate to contact your dealer or us if you have any questions about the use of the chain saw. We will willingly be of service and provide you with advice as well as help you to use your chain saw both efficiently and safely. Attend a training course in chain saw usage if possible. Your dealer, forestry school or your library can provide information about which training materials and courses are available. Work is constantly in progress to improve the design and technology - improvements that increase your safety and efficiency. Visit your dealer regularly to see whether you can benefit from new features that have been introduced.

Personal protective equipment



WARNING! Most chain saw accidents happen when the chain touches the operator. You must use approved personal protective equipment whenever you use the machine. Personal protective equipment cannot eliminate the risk of injury but it will reduce the degree of injury if an accident does happen. Ask your dealer for help in choosing the right equipment.

- Approved protective helmet
- Hearing protection
- Protective goggles or a visor
- Gloves with saw protection
- Trousers with saw protection
- Boots with saw protection, steel toe-cap and non-slip sole
- Always have a first aid kit nearby.
- Fire Extinguisher and Shovel

Generally clothes should be close-fitting without restricting your freedom of movement.

IMPORTANT! Sparks can come from the muffler, the bar and chain or other sources. Always have fire extinguishing tools available if you should need them. Help prevent forest fires.

Machine's safety equipment

In this section the machine's safety features and their function are explained. For inspection and maintenance see instructions under the heading Checking, maintaining and servicing chain saw safety equipment. See instructions under the heading, What is what?, to find where these parts are located on your machine.

The life span of the machine can be reduced and the risk of accidents can increase if machine maintenance is not carried out correctly and if service and/or repairs are not carried out professionally. If you need further information please contact your nearest service workshop.



WARNING! Never use a machine with defective safety components. Safety equipment must be inspected and maintained. See instructions under the heading Checking, maintaining and servicing chain saw safety equipment. If your machine does not pass all the checks, take the saw to a servicing dealer for repair.

Chain brake and front hand guard

Your chain saw is equipped with a chain brake that is designed to stop the chain if you get a kickback. The chain brake reduces the risk of accidents, but only you can prevent them. (3)

Take care when using your saw and make sure the kickback zone of the bar never touches any object. (4)

- The chain brake (A) can either be activated manually (by your left hand) or automatically by the inertia release mechanism. (5)
- The brake is applied when the front hand guard (B) is pushed forwards. (5)
- This movement activates a spring-loaded mechanism that tightens the brake band (C) around the engine drive system (D) (clutch drum). (6)
- The front hand guard is not designed solely to activate the chain brake. Another important feature is that it reduces the risk of your left hand hitting the chain if you lose grip of the front handle.
- The chain brake must be engaged when the chain saw is started to prevent the saw chain from rotating. (55)
- Use the chain brake as a "parking brake" when starting and when moving over short distances, to reduce the risk of moving chain accidentally hitting your leg or anyone or anything close by. Do not leave the chain saw switched on with the chain brake activated for long periods. The chain saw can become very hot.
- The chain brake is released by moving the front hand guard marked "PULL BACK TO RESET" back, towards the front handle.
- Kickback can be very sudden and violent. Most kickbacks are minor and do not always activate the chain brake. If this happens you should hold the chain saw firmly and not let go.
- The way the chain brake is activated, either manually or automatically by the inertia release mechanism, depends on the force of the kickback and the position of the chain saw in relation to the object that the kickback zone of the bar strikes.

GENERAL SAFETY PRECAUTIONS

If you get a violent kickback while the kickback zone of the bar is farthest away from you the chain brake is designed to be activated by the inertia in the kickback direction. (7)

If the kickback is less violent or the kickback zone of the bar is closer to you the chain brake will be activated manually by the movement of your left hand.

- In the felling position the left hand is in a position that makes manual activation of the chain brake impossible. With this type of grip, that is when the left hand is placed so that it cannot affect the movement of the front hand guard, the chain brake can only be activated by the inertia action. (8)

Will my hand always activate the chain brake during a kickback?

No. It takes a certain force to move the hand guard forward. If your hand only lightly touches the front guard or slips over it, the force may not be enough to trigger the chain brake. You should also maintain a firm grip of the chain saw handles while working. If you do and experience a kickback, your hand may never leave the front handle and will not activate the chain brake, or the chain brake will only activate after the saw has swung around a considerable distance. In such instances, the chain brake might not have enough time to stop the saw chain before it touches you.

There are also certain positions in which your hand cannot reach the front hand guard to activate the chain brake; for example, when the saw chain is held in felling position.

Will my inertia activated chain brake always activate during kickback in the event of a kickback?

No. First your brake must be in working order. Testing the brake is simple, see instructions under the heading Checking, maintaining and servicing chain saw safety equipment. We recommend you do before you begin each work session. Second the kickback must be strong enough to activate the chain brake. If the chain brake is too sensitive it would activate all the time which would be a nuisance.

Will my chain brake always protect me from injury in the event of a kickback?

No. First, the chain brake must be in working order to provide the intended protection. Second, it must be activated during the kickback as described above to stop the saw chain. Third, the chain brake may be activated but if the bar is too close to you the brake might not have enough time to slow down and stop the chain before the chain saw hits you.

Only you and proper working technique can eliminate kickback and its danger.

Throttle lockout

The throttle lockout is designed to prevent accidental operation of the throttle control. When you press the lock (A) (i.e. when you grasp the handle) it releases the throttle control (B). When you release the handle the throttle control and the throttle lockout both move back to their original positions. This arrangement means that the throttle control is automatically locked at the idle setting. (9)

Chain catcher

The chain catcher is designed to catch the chain if it snaps or jumps off. This should not happen if the chain is properly tensioned (see instructions under the heading Assembly) and if the bar and chain are properly serviced and maintained (see instructions under the heading General working instructions). (10)

Right hand guard

Apart from protecting your hand if the chain jumps or snaps, the right hand guard stops branches and twigs from interfering with your grip on the rear handle. (11)

Vibration damping system

Your machine is equipped with a vibration damping system that is designed to minimize vibration and make operation easier.

The machine's vibration damping system reduces the transfer of vibration between the engine unit/cutting equipment and the machine's handle unit. The body of the chain saw, including the cutting equipment, is insulated from the handles by vibration damping units.

Cutting hardwoods (most broadleaf trees) creates more vibration than cutting softwoods (most conifers). Cutting with cutting equipment that is blunt or faulty (wrong type or badly sharpened) will increase the vibration level.



WARNING! Overexposure to vibration can lead to circulatory damage or nerve damage in people who have impaired circulation. Contact your doctor if you experience symptoms of overexposure to vibration. Such symptoms include numbness, loss of feeling, tingling, pricking, pain, loss of strength, changes in skin colour or condition. These symptoms normally appear in the fingers, hands or wrists. These symptoms may be increased in cold temperatures.

Stop switch

Use the stop switch to switch off the engine. (12)

GENERAL SAFETY PRECAUTIONS

Muffler

The muffler is designed to keep noise levels to a minimum and to direct exhaust fumes away from the user.



WARNING! The exhaust fumes from the engine are hot and may contain sparks which can start a fire. Never start the machine indoors or near combustible material!

In areas with a hot, dry climate there is a high risk of fires. These areas are sometimes subject to government rules requiring among other things the muffler must be equipped with an approved type of spark arrestor mesh. (13)

When fitting the mesh, make sure that the mesh is inserted in the right position. If necessary, use the combination spanner to insert or remove the mesh.

CAUTION! The muffler gets very hot during and after use. This also applies during idling. Be aware of the fire hazard, especially when working near flammable substances and/or vapours.



WARNING! Never use a saw without a muffler, or with a damaged muffler. A damaged muffler may substantially increase the noise level and the fire hazard. Keep fire fighting equipment handy. If a spark arrestor screen is required in your area, never use the saw without or with a broken spark arrestor screen.

Cutting equipment

This section describes how to choose and maintain your cutting equipment in order to:

- Reduce the risk of kickback.
- Reduce the risk of the saw chain breaking or jumping off the bar.
- Obtain optimal cutting performance.
- Extend the life of cutting equipment.
- Avoid increasing vibration levels.

General rules

- **Only use cutting equipment recommended by us!** See instructions under the heading Technical data.
- **Keep the chain's cutting teeth properly sharpened! Follow our instructions and use the recommended file gauge.** A damaged or badly sharpened chain increases the risk of accidents.
- **Maintain the correct depth gauge setting! Follow our instructions and use the recommended depth gauge clearance.** Too large a clearance increases the risk of kickback.
- **Keep the chain properly tensioned!** If the chain is slack it is more likely to jump off and lead to increased wear on the bar, chain and drive sprocket.

- **Keep cutting equipment well lubricated and properly maintained!** A poorly lubricated chain is more likely to break and lead to increased wear on the bar, chain and drive sprocket.

Cutting equipment designed to reduce kickback



WARNING! Faulty cutting equipment or the wrong combination of bar and saw chain increases the risk of kickback! Only use the bar/saw chain combinations we recommend, and follow the filing instructions. See instructions under the heading Technical data.

The only way to avoid kickback is to make sure that the kickback zone of the bar never touches anything.

By using cutting equipment with "built-in" kickback reduction and keeping the chain sharp and well-maintained you can reduce the effects of kickback.

Guide bar

The smaller the tip radius the lower the chance of kickback.

Saw chain

A chain is made up of a number of links, which are available in standard and low-kickback versions.

IMPORTANT! No saw chain design eliminates the danger of kickback.



WARNING! Any contact with a rotating saw chain can cause extremely serious injuries.

Some terms that describe the bar and chain

To maintain the safety features of the cutting equipment, you should replace a worn or damaged bar or chain with a bar and chain combinations recommended by Husqvarna. See instructions under the heading Technical Data for a list of replacement bar and chain combinations we recommend.

Guide bar

- Length (inches/cm)
- Number of teeth on bar tip sprocket (T).
- Chain pitch (inches). The spacing between the drive links of the chain must match the spacing of the teeth on the bar tip sprocket and drive sprocket. (14)
- Number of drive links. The number of drive links is determined by the length of the bar, the chain pitch and the number of teeth on the bar tip sprocket.
- Bar groove width (inches/mm). The groove in the bar must match the width of the chain drive links.
- Chain oil hole and hole for chain tensioner. The bar must be matched to the chain saw design. (15)

GENERAL SAFETY PRECAUTIONS

Saw chain

- Chain pitch (inches) (14)
- Drive link width (mm/inches) (16)
- Number of drive links. (17)

Sharpening your chain and adjusting depth gauge setting

General information on sharpening cutting teeth

- Never use a blunt chain. When the chain is blunt you have to exert more pressure to force the bar through the wood and the chips will be very small. If the chain is very blunt it will produce wood powder and no chips or shavings.
- A sharp chain eats its way through the wood and produces long, thick chips or shavings.
- The cutting part of the chain is called the cutter and consists of a cutting tooth (A) and the depth gauge (B). The cutters cutting depth is determined by the difference in height between the two (depth gauge setting). (18)

When you sharpen a cutting tooth there are four important factors to remember.

- 1 Filing angle (19)
- 2 Cutting angle (20)
- 3 File position (21)
- 4 Round file diameter

It is very difficult to sharpen a chain correctly without the right equipment. We recommend that you use our file gauge. This will help you obtain the maximum kickback reduction and cutting performance from your chain. (22)

See instructions under the heading Technical data for information about sharpening your chain.



WARNING! Departure from the sharpening instructions considerably increases the risk of kickback.

Sharpening cutting teeth



To sharpen cutting teeth you will need a round file and a file gauge. See instructions under the heading Technical data for information on the size of file and gauge that are recommended for the chain fitted to your chain saw.

- Check that the chain is correctly tensioned. A slack chain will move sideways, making it more difficult to sharpen correctly.
- Always file cutting teeth from the inside face. Reduce the pressure on the return stroke. File all the teeth on one side first, then turn the chain saw over and file the teeth on the other side.
- File all the teeth to the same length. When the length of the cutting teeth is reduced to 4 mm (5/32") the chain is worn out and should be replaced. (23)

General advice on adjusting depth gauge setting

- When you sharpen the cutting tooth (A) the depth gauge setting (C) will decrease. To maintain optimal cutting performance the depth gauge (B) has to be filed down to achieve the recommended depth gauge setting. See instructions under the heading Technical data to find the correct depth gauge setting for your particular chain. (24)



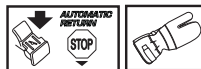
WARNING! The risk of kickback is increased if the depth gauge setting is too large!

Adjustment of depth gauge setting



- The cutting teeth should be newly sharpened before adjusting the depth gauge setting. We recommend that you adjust the depth gauge setting every third time you sharpen the cutting teeth. NOTE! This recommendation assumes that the length of the cutting teeth is not reduced excessively.
- You will need a flat file and a depth gauge tool. We recommend that you use our depth gauge tool to achieve the correct depth gauge setting and bevel for the depth gauge.
- Place the depth gauge tool over the chain. Detailed information regarding the use of the depth gauge tool, will be found on the package for the depth gauge tool. Use the flat file to file off the tip of the depth gauge that protrudes through the depth gauge tool. The depth gauge setting is correct when you no longer feel resistance as you draw the file along the depth gauge tool. (25)

Tensioning the chain



WARNING! A slack chain may jump off and cause serious or even fatal injury.

The more you use a chain the longer it becomes. It is therefore important to adjust the chain regularly to take up the slack.

Check the chain tension every time you refuel. NOTE! A new chain has a running-in period during which you should check the tension more frequently.

Tension the chain as tightly as possible, but not so tight that you cannot pull it round freely by hand. (26)

GENERAL SAFETY PRECAUTIONS

435 II, 440 II



- Loosen the bar nut that holds the clutch cover and chain brake. Use the combination spanner. Then retighten the bar nut as tightly as you can by hand. **(27)**
- Raise the tip of the bar and stretch the chain by tightening the chain tensioning screw using the combination spanner. Tighten the chain until it does not sag from the underside of the bar. **(28)**
- Use the combination spanner to tighten the bar nut while holding up the tip of the bar. Check that you can pull the saw chain round freely by hand, and that there is no slack on the underside of the bar. **(29)**

The position of the chain tensioning screw on our chain saws varies from model to model. See instructions under the heading What is what? to find out where it is on your model.

435e II, 440e II



- Release the knob by folding it out. **(30)**
- Turn the knob anti clockwise to loosen the bar cover. **(31)**
- Adjust the tension on the chain by turning the wheel down (+) for tighter tension and up (-) to loosen the tension. **(32)**
- Tighten the bar clutch by turning the knob clockwise. **(33)**
- Fold the knob back in to lock the tensioning. **(34)**

Lubricating cutting equipment



WARNING! Poor lubrication of cutting equipment may cause the chain to snap, which could lead to serious, even fatal injuries.

Chain oil

Chain oil must demonstrate good adhesion to the chain and also maintain its flow characteristics regardless of whether it is warm summer or cold winter weather.

As a chain saw manufacturer we have developed an optimal chain oil which, with its vegetable oil base, is also biodegradable. We recommend the use of our own oil for both maximum chain life and to minimise environmental damage. If our own chain oil is not available, standard chain oil is recommended.

Never use waste oil! Using waste oil can be dangerous to you and damage the machine and environment.

IMPORTANT! When using vegetable based saw chain oil, dismantle and clean the groove in the bar and saw chain before long-term storage. Otherwise there is a risk of the saw chain oil oxidizing, which will result in the saw chain becoming stiff and the bar tip sprocket jamming.

Filling with chain oil

- All our chain saws have an automatic chain lubrication system. On some models the oil flow is also adjustable.
- The saw chain oil tank and the fuel tank are designed so that the fuel runs out before the saw chain oil.

However, this safety feature requires that you use the right sort of chain oil (if the oil is too thin it will run out before the fuel), and that you adjust the carburetor as recommended (a lean mixture may mean that the fuel lasts longer than the oil) and that you also use the recommended cutting equipment (a bar that is too long will use more chain oil).

Checking chain lubrication

- Check the chain lubrication each time you refuel. Aim the tip of the bar at a light coloured surface about 20 cm (8 inches) away. After 1 minute running at 3/4 throttle you should see a distinct line of oil on the light surface.

If the chain lubrication is not working:

- Check that the oil channel in the bar is not obstructed. Clean if necessary. **(35)**
- Check that the groove in the edge of the bar is clean. Clean if necessary. **(36)**
- Check that the bar tip sprocket turns freely and that the lubricating hole in the tip sprocket is not blocked. Clean and lubricate if necessary. **(37)**

If the chain lubrication system is still not working after carrying out the above checks and associated measures you should contact your service agent.

Chain drive sprocket



The clutch drum is fitted with one of the following drive sprockets:

- A Spur sprocket (the chain sprocket is welded on the drum)
- B Rim sprocket (replaceable) **(38)**

Regularly check the degree of wear on the drive sprocket. Replace if wear is excessive. Replace the drive sprocket whenever you replace the chain.

GENERAL SAFETY PRECAUTIONS

Needle bearing lubrication



Both versions of sprockets have a needle bearing on the drive shaft, which has to be greased regularly (once a week). CAUTION! Use a high-quality bearing grease or engine oil.

See instructions under the heading Maintenance, Needle bearing lubrication.

Checking wear on cutting equipment



Check the chain daily for:

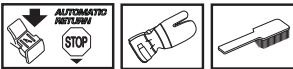
- Visible cracks in rivets and links.
- Whether the chain is stiff.
- Whether rivets and links are badly worn.

Replace the saw chain if it exhibits any of the points above.

We recommend you compare the existing chain with a new chain to decide how badly the existing chain is worn.

File all the teeth to the same length. When the length of the cutting teeth is reduced to 4 mm (5/32") the chain is worn out and should be replaced. **(23)**

Guide bar



Check regularly:

- Whether there are burrs on the edges of the bar. Remove these with a file if necessary.
- Whether the groove in the bar has become badly worn. Replace the bar if necessary.
- Whether the tip of the bar is uneven or badly worn. If a hollow forms on the underside of the bar tip this is due to running with a slack chain.
- To prolong the life of the bar you should turn it over regularly.



WARNING! Most chain saw accidents happen when the chain touches the operator.

Wear personal protective equipment. See instructions under the "Personal protective equipment" heading.

Do not tackle any job that you feel you are not adequately trained for. See instructions under the headings Personal protective equipment, How to avoid kickback, Cutting equipment and General working instructions.

Avoid situations where there is a risk of kickback. See instructions under the heading Machine's safety equipment.

Use the recommended protective equipment and check its condition. See instructions under the heading General working instructions.

Check that all the chain saw safety features are working. See instructions under the headings General working instructions and General safety precautions.

ASSEMBLY

Fitting the bar and chain



WARNING! Always wear gloves, when working with the chain.

435 II, 440 II

- **Check that the chain brake is in disengaged position by moving the front hand guard towards the front handle. (39)**
- Unscrew the bar nut and remove the clutch cover (chain brake). Take off the transportation ring (A). (40)
- Fit the bar over the bar bolt. Place the bar in its rearmost position. Place the chain over the drive sprocket and in the groove on the bar. Begin on the top side of the bar. (41)
- Make sure that the edges of the cutting links are facing forward on the top edge of the bar.
- Mount the clutch cover and remember to fit the chain adjuster pin in the hole in the bar. Check that the drive links of the chain fit correctly over the drive sprocket and that the chain is correctly located in the groove in the bar. Tighten the bar nut with your fingers.
- Tension the chain by turning the chain tensioning screw clockwise using the combination spanner. The chain should be tensioned until it does not sag from the underside of the bar. (42)
- The chain is correctly tensioned when there is no slack on the underside of the bar, and it can still be turned easily by hand. Tighten the bar nut with the combination spanner while holding up the tip of the bar. (43)
- When fitting a new chain, the chain tension has to be checked frequently until the chain is run-in. Check the chain tension regularly. A correctly tensioned chain ensures good cutting performance and long life. (44)

435e II, 440e II

- **Check that the chain brake is in disengaged position by moving the front hand guard towards the front handle. (45)**
- Loosen the chain tensioner wheel and remove the clutch cover (chain brake). Remove the transport guard. (A) (46)
- Fit the bar over the bar bolts. Place the bar in its rearmost position. Place the chain over the drive sprocket locate it in the groove on the bar. Begin on the top edge of the bar. (41)
- Make sure that the edges of the cutting links are facing forward on the top edge of the bar.
- Mount the clutch cover and remember to fit the chain adjuster pin in the hole in the bar. Check that the drive

links of the chain fit correctly over the drive sprocket and that the chain is correctly located in the groove in the bar.

- Tension the chain by turning the wheel down (+). The chain should be tensioned until it does not sag from the underside of the bar. (32)
- The chain is correctly tensioned when it does not sag from the underside of the bar, but can still be turned easily by hand. Hold up the bar tip and tighten the bar knob by turning the knob clockwise. (33)
- When fitting a new chain, the chain tension has to be checked frequently until the chain is run-in. Check the chain tension regularly. A correctly tensioned chain ensures good cutting performance and long life. (44)

Fitting a spike bumper

To fit a spike bumper – contact your service agent. (47)

FUEL HANDLING

Fuel

Note! The machine is equipped with a two-stroke engine and must always be run using a mixture of petrol and two-stroke oil. It is important to accurately measure the amount of oil to be mixed to ensure that the correct mixture is obtained. When mixing small amounts of fuel, even small inaccuracies can drastically affect the ratio of the mixture.



Petrol



- Use good quality unleaded or leaded petrol.
- The lowest recommended octane grade is 90 (RON). If you run the engine on a lower octane grade than 90 so-called knocking can occur. This gives rise to a high engine temperature and increased bearing load, which can result in serious engine damage.
- When working with continuous high revs (e.g. limbing) a higher octane is recommended.

Environment fuel

HUSQVARNA recommends the use of alkylate fuel, either Aspen two-stroke fuel or environmental fuel for four-stroke engines blended with two-stroke oil as set out below. Note that carburettor adjustment may be necessary when changing the type of fuel (see the instructions under the heading Carburettor).

Ethanol fuel

HUSQVARNA recommends commercial available fuel with maximum 10% ethanol content.

Running-in

Avoid running at a too high speed for extended periods during the first 10 hours.

Two-stroke oil

- For best results and performance use HUSQVARNA two-stroke engine oil, which is specially formulated for our air-cooled two-stroke engines.
- Never use two-stroke oil intended for water-cooled engines, sometimes referred to as outboard oil (rated TCW).
- Never use oil intended for four-stroke engines.
- A poor oil quality and/or too high oil/fuel ratio may jeopardise function and decrease the life time of catalytic converters.

Mixing ratio

1:50 (2%) with HUSQVARNA two-stroke oil.

1:33 (3%) with oils class JASO FB or ISO EGB formulated for air-cooled, two-stroke engines.

Petrol, litre	Two-stroke oil, litre	
	2% (1:50)	3% (1:33)
5	0,10	0,15
10	0,20	0,30
15	0,30	0,45
20	0,40	0,60

Mixing

- Always mix the petrol and oil in a clean container intended for fuel.
- Always start by filling half the amount of the petrol to be used. Then add the entire amount of oil. Mix (shake) the fuel mixture. Add the remaining amount of petrol.
- Mix (shake) the fuel mixture thoroughly before filling the machine's fuel tank.
- Do not mix more than one month's supply of fuel at a time.
- If the machine is not used for some time the fuel tank should be emptied and cleaned.

Chain oil

- We recommend the use of special oil (chain oil) with good adhesion characteristics. **(48)**
- Never use waste oil. This results in damage to the oil pump, the bar and the chain.
- It is important to use oil of the right grade (suitable viscosity range) to suit the air temperature.
- In temperatures below 0°C (32°F) some oils become too viscous. This can overload the oil pump and result in damage to the oil pump components.
- Contact your service agent when choosing chain oil.

FUEL HANDLING

Fueling



WARNING! Taking the following precautions, will lessen the risk of fire:

Do not smoke and do not place any hot objects in the vicinity of fuel.

Always stop the engine and let it cool for a few minutes before refuelling.

When refuelling, open the fuel cap slowly so that any excess pressure is released gently.

Tighten the fuel cap carefully after refuelling.

Always move the machine away from the refuelling area and source before starting.

Clean the area around the fuel cap. Clean the fuel and chain oil tanks regularly. The fuel filter must be replaced at least once a year. Contamination in the tanks causes malfunction. Make sure the fuel is well mixed by shaking the container before refuelling. The capacities of the chain oil tank and fuel tank are carefully matched. You should therefore always fill the chain oil tank and fuel tank at the same time. (48)



WARNING! Fuel and fuel vapour are highly flammable. Take care when handling fuel and chain oil. Be aware of the risks of fire, explosion and those associated with inhalation.

Removing fuel cap and chain oil cap

- Press down on the textured area of the flip lever and lift to an upright position. (49)
- Loosen the cap by turning it counterclockwise. (50)
- Remove the cap. (51)

Replacing fuel cap and chain oil cap

- Insert the cap with the flip lever in an upright position. (52)
- Tighten the cap securely by turning it clockwise. (53)
- Fold the flip lever down. (54)

IMPORTANT! Always replace a damaged cap.

Fuel safety

- Never refuel the machine while the engine is running.
- Make sure there is plenty of ventilation when refuelling or mixing fuel (petrol and 2-stroke oil).
- Move the machine at least 3 m from the refuelling point before starting it.
- Never start the machine:
 - 1 If you have spilt fuel or chain oil on the machine. Wipe off the spillage and allow remaining fuel to evaporate.
 - 2 If you have spilt fuel on yourself or your clothes, change your clothes. Wash any part of your body that has come in contact with fuel. Use soap and water.
 - 3 If the machine is leaking fuel. Check regularly for leaks from the fuel cap and fuel lines.



WARNING! Never use a machine with visible damage to the spark plug guard and ignition cable. A risk of sparking arises, which can cause a fire.

Transport and storage

- Always store the chain saw and fuel so that there is no risk of leakages or fumes coming into contact with sparks or naked flames from electrical equipment, electric motors, relays/switches, boilers and the like.
- Always store fuel in an approved container designed for that purpose.
- For longer periods of storage or for transport of the chain saw, the fuel and chain oil tanks should be emptied. Ask where you can dispose of waste fuel and chain oil at your local petrol station.
- The guide bar cover must always be fitted to the cutting attachment when the machine is being transported or in storage, in order to prevent accident contact with the sharp chain. Even a non-moving chain can cause serious cuts to yourself or persons you bump into with an exposed chain.
- Remove the spark plug cap from the spark plug. Activate the chain brake.
- Secure the machine during transport.

Long-term storage

Empty the fuel/oil tanks in a well ventilated area. Store the fuel in approved cans in a safe place. Fit the guide bar cover. Clean the machine. See instructions under the heading Maintenance schedule.

Ensure the machine is cleaned and that a complete service is carried out before long-term storage.

STARTING AND STOPPING

Starting and stopping



WARNING! Note the following before starting:

The chain brake must be engaged when the chain saw is started to reduce the chance of contact with the moving chain during starting.

Never start a chain saw unless the bar, chain and all covers are fitted correctly. Otherwise the clutch can come loose and cause personal injuries.

Place the machine on firm ground. Make sure you have a secure footing and that the chain cannot touch anything.

Keep people and animals well away from the working area.

Never twist the starter cord around your hand.

will have engaged a high idle, making warm starting easier.

Pull the starter handle, 4: Grip the front handle with your left hand. Hold the chain saw on the ground by placing your right foot through the rear handle. **(57)**

Pull the starter handle with your right hand and pull out the starter cord slowly until you feel a resistance (as the starter pawls engage) then pull firmly and rapidly until the engine starts.

As the chain brake is still engaged the speed of the engine must be set to idling as soon as possible, this is achieved by disengaging the throttle lock. Disengagement is done by gently touching on the throttle trigger. This prevents unnecessary wear to the clutch, clutch drum and brake band. Allow the machine to idle a few seconds before giving full throttle.

There is a simplified start reminder with illustrations to describe each step on the rear edge of the saw (A). **(57)**

CAUTION! Do not pull the starter cord all the way out and do not let go of the starter handle when the cord is fully extended. This can damage the machine.

Note! Pull the front hand guard towards the front handle. The chain brake is now disengaged. Your chain saw is now ready for use.

Starting

The chain brake must be engaged when the chain saw is started. Activate the brake by moving the front hand guard forwards. **(55)**

Cold engine

Start position, 1: Set the start/stop switch in the choke position by pulling the red control outward - upward. **(56)**

Air purge (2): Press the air purge diaphragm repeatedly until fuel fills the diaphragm (at least 6 times). The diaphragm need not be completely filled. **(56)**

Grip the front handle with your left hand. Hold the chain saw on the ground by placing your right foot through the rear handle. **(57)**

Pull the starter handle, 3: Pull the starter handle with your right hand and pull out the starter cord slowly until you feel a resistance (as the starter pawls engage) then pull firmly and rapidly until the engine fires.

Push down the red choke control, 4: As soon as the engine fires which can be heard through a "puff" sound, push down on the red choke control.

Pull the starter handle (5): Keep on pulling the cord powerfully until the engine starts.

Warm engine

Start position, 1: The correct choke/start throttle setting for warm starting is obtained by initially moving the choke control by pulling the red control outward - upwards. **(56)**

Air purge (2): Press the air purge diaphragm repeatedly until fuel fills the diaphragm (at least 6 times). The diaphragm need not be completely filled. **(56)**

Push down the red choke control, 3: This inactivates the choke, which is not needed when starting a warm chain saw. However the movement of the start/stop switch



WARNING! Long term inhalation of the engine's exhaust fumes, chain oil mist and dust from sawdust can represent a health risk.

- Never start a chain saw unless the bar, chain and all covers are fitted correctly. See instructions under the heading Assembly. Without a bar and chain attached to the chain saw the clutch can come loose and cause serious injury.
- The chain brake should be activated when starting. See instructions under the heading Start and stop. Do not drop start. This method is very dangerous because you may lose control of the saw. **(55)**
- Never start the machine indoors. Exhaust fumes can be dangerous if inhaled.
- Observe your surroundings and make sure that there is no risk of people or animals coming into contact with the cutting equipment.
- Always hold the saw with both hands. The right hand should be on the rear handle, and the left hand on the front handle. All people, whether right or left handed, should use this grip. Use a firm grip with thumbs and fingers encircling the chain saw handles.

Stopping

Stop the engine by pushing the start/stop switch down. **(59)**

CAUTION! The start/stop switch automatically returns to run position. To avoid involuntary start up, the spark plug cap must always be removed from the spark plug when the machine is unsupervised. **(60)**

WORKING TECHNIQUES

Before use: (61)

- 1 Check that the chain brake works correctly and is not damaged.
- 2 Check that the rear right hand guard is not damaged.
- 3 Check that the throttle lockout works correctly and is not damaged.
- 4 Check that the stop switch works correctly and is not damaged.
- 5 Check that all handles are free from oil.
- 6 Check that the anti vibration system works and is not damaged.
- 7 Check that the muffler is securely attached and not damaged.
- 8 Check that all parts of the chain saw are tightened correctly and that they are not damaged or missing.
- 9 Check that the chain catcher is in place and not damaged.
- 10 Check the chain tension.

General working instructions

IMPORTANT!

This section describes basic safety rules for using a chain saw. This information is never a substitute for professional skills and experience. If you get into a situation where you feel unsafe, stop and seek expert advice. Contact your chain saw dealer, service agent or an experienced chain saw user. Do not attempt any task that you feel unsure of!

Before using a chain saw you must understand the effects of kickback and how to avoid them. See instructions under the heading How to avoid kickback.

Before using a chain saw you must understand the difference between cutting with the top and bottom edges of the bar. See instructions under the headings How to avoid kickback and Machine's safety equipment.

Wear personal protective equipment. See instructions under the "Personal protective equipment" heading.

Basic safety rules

- 1 Look around you:
 - To ensure that people, animals or other things cannot affect your control of the machine.
 - To make sure that none of the above might come within reach of your saw or be injured by falling trees.

CAUTION! Follow the instructions above, but do not use a chain saw in a situation where you cannot call for help in case of an accident.

- 2 Do not use the machine in bad weather, such as dense fog, heavy rain, strong wind, intense cold, etc. Working in bad weather is tiring and often brings added risks, such as icy ground, unpredictable felling direction, etc.
- 3 Take great care when removing small branches and avoid cutting bushes (i.e. cutting many small branches at the same time). Small branches can be grabbed by

the chain and thrown back at you, causing serious injury.

- 4 Make sure you can move and stand safely. Check the area around you for possible obstacles (roots, rocks, branches, ditches, etc.) in case you have to move suddenly. Take great care when working on sloping ground.
- 5 Take great care when cutting a tree that is in tension. A tree that is in tension may spring back to its normal position before or after being cut. If you position yourself incorrectly or make the cut in the wrong place the tree may hit you or the machine and cause you to lose control. Both situations can cause serious personal injury.



- 6 Before moving your chain saw switch off the engine and lock the chain using the chain brake. Carry the chain saw with the bar and chain pointing backwards. Fit a guard to the bar before transporting the chain saw or carrying it for any distance.
- 7 When you put the chain saw on the ground, lock the saw chain using the chain brake and ensure you have a constant view of the machine. Switch the engine off before leaving your chain saw for any length of time.



WARNING! Sometimes chips get stuck in the clutch cover causing the chain to jam. Always stop the engine before cleaning.

General rules

- 1 If you understand what kickback is and how it happens then you can reduce or eliminate the element of surprise. By being prepared you reduce the risk. Kickback is usually quite mild, but it can sometimes be very sudden and violent.
- 2 Always hold the chain saw firmly with your right hand on the rear handle and your left hand on the front handle. Wrap your fingers and thumbs around the handles. You should use this grip whether you are right-handed or left-handed. This grip minimises the effect of kickback and lets you keep the chain saw under control. **Do not let go of the handles!**
- 3 Most kickback accidents happen during limbing. Make sure you are standing firmly and that there is nothing in the way that might make you trip or lose your balance.

Lack of concentration can lead to kickback if the kickback zone of the bar accidentally touches a branch, nearby tree or some other object.

Have control over the workpiece. If the pieces you intend to cut are small and light, they can jam in the saw chain and be thrown towards you. Even if this does not need to be a danger, you may be surprised and lose control of the saw. Never saw stacked logs or branches without first separating them. Only saw one

WORKING TECHNIQUES

log or one piece at a time. Remove the cut pieces to keep your working area safe. (62)

- 4 **Never use the chain saw above shoulder height and try not to cut with the tip of the bar. Never use the chain saw one-handed! (63)**
- 5 You must have a steady stance in order to have full control over the chain saw. Never work standing on a ladder, in a tree or where you do not have firm ground to stand on. (64)
- 6 Always use a fast cutting speed, i.e. full throttle.
- 7 Take great care when you cut with the top edge of the bar, i.e. when cutting from the underside of the object. This is known as cutting on the push stroke. The chain tries to push the chain saw back towards the user. If the saw chain is jamming, the saw may be pushed back at you. (65)
- 8 Unless the user resists this pushing force there is a risk that the chain saw will move so far backwards that only the kickback zone of the bar is in contact with the tree, which will lead to a kickback. (66)

Cutting with the bottom edge of the bar, i.e. from the top of the object downwards, is known as cutting on the pull stroke. In this case the chain saw pulls itself towards the tree and the front edge of the chain saw body rests naturally on the trunk when cutting. Cutting on the pull stroke gives the operator better control over the chain saw and the position of the kickback zone. (67)

- 9 Follow the instructions on sharpening and maintaining your bar and chain. When you replace the bar and chain use only combinations that are recommended by us. See instructions under the headings Cutting equipment and Technical data.

Basic cutting technique



WARNING! Never use a chain saw by holding it with one hand. A chain saw is not safely controlled with one hand. Always have a secure, firm grip around the handles with both hands.

General

- Always use full throttle when cutting!
- Reduce the speed to idle after every cut (running the engine for too long at full throttle without any load, i.e. without any resistance from the chain during cutting, can lead to serious engine damage).
- Cutting from above = Cutting on the pull stroke.
- Cutting from below = Cutting on the push stroke.

Cutting on the push stroke increases the risk of kickback. See instructions under the heading How to avoid kickback.

Terms

Cutting = General term for cutting through wood.

Limbing = Cutting branches off a felled tree.

Splitting = When the object you are cutting breaks off before the cut is complete.

22 – English

There are five important factors you should consider before making a cut:

- 1 Make sure the cutting equipment will not jam in the cut. (68)
- 2 Make sure the object you are cutting will not split. (69)
- 3 Make sure the chain will not strike the ground or any other object during or after cutting. (70)
- 4 Is there a risk of kickback? (4)
- 5 Do the conditions and surrounding terrain affect how safely you can stand and move about?

Two factors decide whether the chain will jam or the object that you are cutting will split: the first is how the object is supported before and after cutting, and the second is whether it is in tension.

In most cases you can avoid these problems by cutting in two stages; from the top and from the bottom. You need to support the object so that it will not trap the chain or split during cutting.

IMPORTANT! If the chain jams in the cut: stop the engine! Don't try to pull the chain saw free. If you do you may be injured by the chain when the chain saw suddenly breaks free. Use a lever to open up the cut and free the chain saw.

The following instructions describe how to handle the commonest situations you are likely to encounter when using a chain saw.

Limbing

When limbing thick branches you should use the same approach as for cutting.

Cut difficult branches piece by piece. (71)

Cutting



WARNING! Never attempt to cut logs while they are in a pile or when a couple of logs are lying together. Such procedures drastically increase the risk of kickback which can result in a serious or fatal injury.

If you have a pile of logs, each log you attempt to cut should be removed from the pile, placed on a saw horse or runners and cut individually.

Remove the cut pieces from the cutting area. By leaving them in the cutting area, you increase the risk of inadvertently getting a kickback, as well as increasing the risk of losing your balance while working. (72)

The log is lying on the ground. There is little risk of the chain jamming or the object splitting. However there is a risk that the chain will touch the ground when you finish the cut. (73)

Cut all the way through the log from above. Avoid letting the chain touch the ground as you finish the cut. Maintain full throttle but be prepared for what might happen. (74)

If it is possible (can you turn the log?) stop cutting about 2/3 of the way through the log.

WORKING TECHNIQUES

Turn the log and finish the cut from the opposite side. (75)

The log is supported at one end. There is a high risk that it will split. (76)

Start by cutting from below (about 1/3 of the way through).

Finish by cutting from above so that the two cuts meet. (77)

The log is supported at both ends. There is a high risk that the chain will jam. (78)

Start by cutting from above (about 1/3 of the way through).

Finish by cutting from below so that the two cuts meet. (79)

Tree felling technique

IMPORTANT! It takes a lot of experience to fell a tree. Inexperienced users of chain saws should not fell trees. Do not attempt any task that you feel unsure of!

Safe distance

The safe distance between a tree that is to be felled and anyone else working nearby is at least 2 1/2 tree lengths. Make sure that no-one else is in this "risk zone" before or during felling. (80)

Felling direction

The aim is to fell the tree in a position where you can limb and cross-cut the log as easily as possible. You want it to fall in a location where you can stand and move about safely.

Once you have decided which way you want the tree to fall you must judge which way the tree would fall naturally.

Several factors affect this:

- Lean of the tree
- Bend
- Wind direction
- Arrangement of branches
- Weight of snow
- Obstacles within the reach of the tree: for example, other trees, power lines, roads and buildings.
- Look for signs of damage and rot in the stem, this makes it more probably that the tree will break and start to fall before you expect it to.

You may find you are forced to let the tree fall in its natural direction because it is impossible or dangerous to try to make it fall in the direction you first intended.

Another very important factor, which does not affect the felling direction but does affect your safety, is to make sure the tree has no damaged or dead branches that might break off and hit you during felling.

The main point to avoid is letting the tree fall onto another tree. It is very dangerous to remove a trapped tree and

there is high accident risk. See instructions under the heading Freeing a tree that has fallen badly. (81)

IMPORTANT! During critical felling operations, hearing protectors should be lifted immediately when sawing is completed so that sounds and warning signals can be heard.

Clearing the trunk and preparing your retreat

Delimb the stem up to shoulder height. It is safer to work from the top down and to have the tree between you and the saw. (82)

Remove any undergrowth from the base of the tree and check the area for obstacles (stones, branches, holes, etc.) so that you have a clear path of retreat when the tree starts to fall. Your path of retreat should be roughly 135 degrees away from the intended felling direction. (83)

- 1 Danger zone
- 2 Retreat path
- 3 Felling direction

Felling



WARNING! Unless you have special training we advise you not to fell trees with a diameter larger than the bar length of your saw!

Felling is done using three cuts. First you make the directional cuts, which consist of the top cut and the bottom cut, then you finish with the felling cut. By placing these cuts correctly you can control the felling direction very accurately.

Directional cuts

To make the directional cut you begin with the top cut. Aim using the saw's felling direction mark (1) toward a goal further forward in the terrain, where you would like the tree to fall (2). Stand on the right-hand side of the tree, behind the saw, and cut with a pull stroke.

Next make the bottom cut so that it finishes exactly at the end of the top cut. (84)

The directional cuts should run 1/4 of the diameter through the trunk and the angle between the top cut and bottom cut should be 45°.

The line where the two cuts meet is called the directional cut line. This line should be perfectly horizontal and at right angles (90°) to the chosen felling direction. (85)

Felling cut

The felling cut is made from the opposite side of the tree and it must be perfectly horizontal. Stand on the left side of the tree and cut on the pull stroke.

Make the felling cut about 3-5 cm (1.5-2 inches) above the bottom directional cut. (86)

Set the spike bumper (if one is fitted) just behind the felling hinge. Use full throttle and advance the chain/bar slowly into the tree. Make sure the tree does not start to move in

WORKING TECHNIQUES

the opposite direction to your intended felling direction. Drive a wedge or breaking bar into the cut as soon as it is deep enough.

Finish the felling cut parallel with the directional cut line so that the distance between them is at least 1/10 of the trunk diameter. The uncut section of the trunk is called the felling hinge.

The felling hinge controls the direction that the tree falls in. (87)

All control over the felling direction is lost if the felling hinge is too narrow or non-existent, or if the directional cuts and felling cut are badly placed. (88)

When the felling cut and directional cut are complete the tree should start to fall by itself or with the aid of a felling wedge or breaking bar. (89)

We recommend that you use a bar that is longer than the diameter of the tree, so that you can make the felling cut and directional cuts with single cutting strokes. See instructions under the heading Technical data section to find out which lengths of bar are recommended for your saw.

There are methods for felling trees with a diameter larger than the bar length. However these methods involve a much greater risk that the kickback zone of the bar will come into contact with the tree. (4)

Freeing a tree that has fallen badly

Freeing a "trapped tree"

It is very dangerous to remove a trapped tree and there is high accident risk.

Never try to fell the tree that is trapped.

Never work in the risk zone of the hanging trapped tree. (90)

The safest method is to use a winch.

- Tractor-mounted
- Portable

Cutting trees and branches that are in tension

Preparations: Work out which side is in tension and where the point of maximum tension is (i.e. where it would break if it was bent even more). (91)

Decide which is the safest way to release the tension and whether you are able to do it safely. In complicated situations the only safe method is to put aside your chain saw and use a winch.

General advice:

Position yourself so that you will be clear of the tree or branch when the tension is released. (92)

Make one or more cuts at or near the point of maximum tension. Make as many cuts of sufficient depth as necessary to reduce the tension and make the tree or branch break at the point of maximum tension. (93)

Never cut straight through a tree or branch that is in tension!

If you must cut across tree/limb, make two to three cuts, one inch apart, one to two inches deep. (94)

Continue to cut deeper until tree/limb bends and tension is released. (95)

Cut tree/limb from outside the bend, after tension has been released.

How to avoid kickback



WARNING! Kickback can happen very suddenly and violently; kicking the chain saw, bar and chain back at the user. If this happens when the chain is moving it can cause very serious, even fatal injuries. It is vital you understand what causes kickback and that you can avoid it by taking care and using the right working technique.

What is kickback?

The word kickback is used to describe the sudden reaction that causes the chain saw and bar to jump off an object when the upper quadrant of the tip of the bar, known as the kickback zone, touches an object. (66)

Kickback always occurs in the cutting plane of the bar. Normally the chain saw and bar are thrown backwards and upwards towards the user. However, the chain saw may move in a different direction depending on the way it was being used when the kickback zone of the bar touched the object. (7)

Kickback only occurs if the kickback zone of the bar touches an object. (4)

Limbing



WARNING! A majority of kickback accidents occur during limbing. Do not use the kickback zone of the guide bar. Be extremely cautious and avoid contacting the log, other limbs or objects with the nose of the guide bar. Be extremely cautious of limbs under tension. They can spring back toward you and cause loss of control resulting in injury.

Make sure that you can stand and move about safely. Work on the left side of the trunk. Work as close as possible to the chain saw for maximum control. If possible, let the weight of the chain saw rest on the trunk.

Keep the trunk between you and the chain saw as you move along the trunk.

Cutting the trunk into logs

See instructions under the heading Basic cutting technique.

MAINTENANCE

General

The user must only carry out the maintenance and service work described in this Operator's Manual. More extensive work must be carried out by an authorized service workshop.

Carburettor adjustment

Your Husqvarna product has been designed and manufactured to specifications that reduce harmful emissions.

Function

- The carburettor governs the engine's speed via the throttle control. Air and fuel are mixed in the carburettor. The air/fuel mixture is adjustable. Correct adjustment is essential to get the best performance from the machine.
- The T-screw regulates the throttle setting at idle speed. If the T-screw is turned clockwise this gives a higher idle speed; turning it anti-clockwise gives a lower idle speed.

Basic settings and running in

The basic carburettor settings are adjusted during testing at the factory. Fine adjustment should be carried out by a skilled technician.

Rec. idle speed: See the Technical data section.

Fine adjustment of the idle speed T

Adjust the idle speed with the T-screw. If it is necessary to re-adjust, turn the T-screw clockwise while the engine is running, until the chain starts to rotate. Then turn anti-clockwise until the chain stops. When the idle speed is correctly adjusted the engine should run smoothly in every position and the engine speed should be safely below the speed at which the chain starts to rotate.



WARNING! Contact your servicing dealer, if the idle speed setting cannot be adjusted so that the chain stops. Do not use the chain saw until it has been properly adjusted or repaired.

Correctly adjusted carburettor

When the carburettor is correctly adjusted the machine accelerates without hesitation and 4-cycles a little at full throttle. It is also important that the chain does not rotate at idle. If the L-jet is set too lean it may cause starting difficulties and poor acceleration. If the H-jet is set too lean the machine will have less power, poor acceleration and could suffer damage to the engine.

Checking, maintaining and servicing chain saw safety equipment

Note! All service and repair work on the machine demands special training. This is especially true of the machine's safety equipment. If your machine fails any of the checks described below we recommend that you take it to your service workshop.

Chain brake and front hand guard

Checking brake band wear



Brush off any wood dust, resin and dirt from the chain brake and clutch drum. Dirt and wear can impair operation of the brake. (96)

Regularly check that the brake band is at least 0,6 mm thick at its thinnest point.

Checking the front hand guard



Make sure the front hand guard is not damaged and that there are no visible defects such as cracks.

Move the front hand guard forwards and back to make sure it moves freely and that it is securely anchored to the clutch cover.

Checking the inertia brake release



Place the chain saw, with the engine switched off, on a stump or other stable surface. Release the front handle and let the saw fall by its own weight, rotating around the rear handle towards the stump. (97)

When the bar hits the stump the brake should be activated. (98)

Checking the brake trigger

Place the chain saw on firm ground and start it. Make sure the chain does not touch the ground or any other object. See the instructions under the heading Start and stop. (99)

Grasp the chain saw firmly, wrapping your fingers and thumbs around the handles.

Apply full throttle and activate the chain brake by tilting your left wrist forward onto the front hand guard. Do not go of the front handle. **The chain should stop immediately. (58)**

MAINTENANCE

Throttle lockout



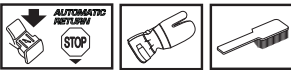
- Make sure the throttle control is locked at the idle setting when the throttle lockout is released. **(100)**
- Press the throttle lockout and make sure it returns to its original position when you release it. **(101)**
- Check that the throttle trigger and throttle lockout move freely and that the return springs work properly. **(102)**
- Start the chain saw and apply full throttle. Release the throttle control and check that the chain stops and remains stationary. If the chain rotates when the throttle control is in the idle position you should check the carburettor idle adjustment.

Chain catcher



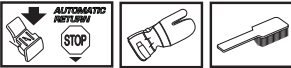
Check that the chain catcher is not damaged and is firmly attached to the body of the chain saw. **(103)**

Right hand guard



Check that the right hand guard is not damaged and that there are no visible defects, such as cracks. **(11)**

Vibration damping system



Regularly check the vibration damping units for cracks or deformation. Make sure the vibration damping units are securely attached to the engine unit and handle unit. **(104)**

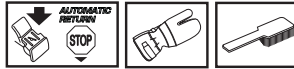
Stop switch



Start the engine and make sure the engine stops when you move the stop switch to the stop setting. **(59)**

CAUTION! The start/stop switch automatically returns to run position. In order to prevent unintentional starting, the spark plug cap must be removed from the spark plug when assembling, checking and/or performing maintenance.

Muffler



Never use a machine that has a faulty muffler.

Regularly check that the muffler is securely attached to the machine. **(105)**

Some mufflers are equipped with a special spark arrestor mesh. If your machine has this type of muffler, you should clean the mesh at least once a week. This is best done with a wire brush. A blocked mesh will cause the engine to overheat and may lead to serious damage.

Note! The mesh must be replaced if it is damaged. If the mesh is blocked the machine will overheat and this will cause damage to the cylinder and piston. Never use a machine with a muffler that is in poor condition. **Never use a muffler if the spark arrestor mesh is missing or defective. (13)**

The muffler is designed to reduce the noise level and to direct the exhaust gases away from the operator. The exhaust gases are hot and can contain sparks, which may cause fire if directed against dry and combustible material.

Starter



WARNING! When the recoil spring is wound up in the starter housing it is under tension and can, if handled carelessly, pop out and cause personal injury.

Care must be exercised when replacing the return spring or the starter cord. Wear protective glasses and protective gloves.

Replacing the starter cord



- Loosen the screws that hold the starter against the crankcase and remove the starter. **(106)**
- Pull out the cord approx. 30 cm and hook it into the notch in the rim of the pulley. Release the recoil spring by letting the pulley rotate slowly backwards. **(107)**
- Undo the bolt in the centre of the pulley and remove the drive disc (A), drive disc spring (B) and the pulley (C). Insert and secure a new starter cord in the starter pulley. Wind approx. 3 turns of the starter cord on the starter pulley. Fit the starter pulley so that the end of the recoil spring (D) hooks into the starter pulley. Now assemble the drive disc spring, drive disc and the bolt in the centre of the pulley. Carry the starter cord through the hole in the starter housing and the starter handle. Tie a good knot on the starter cord. **(108)**

MAINTENANCE

Tensioning the recoil spring

- Hook the starter cord in the notch in the pulley and turn the starter pulley about 2 turns clockwise.
Note! Check that the pulley can be turned at least a further 1/2 turn when the starter cord is pulled all the way out. (109)

Stretch the line with the handle. Move your thumb and release the line. See the figure below. (110)

Replacing the return and drive springs



Recoil spring (A)

- Lift up the starter pulley. See instructions under the heading Changing a broken or worn starter cord. Remember that the recoil spring is coiled under tension in the starter housing.
- Remove the cassette with the recoil spring from the starter.
- Lubricate the recoil spring with light oil. Fit the cassette with recoil spring in the starter. Fit the starter pulley and tension the recoil spring.

Drive disc spring (B)

- Undo the bolt in the centre of the pulley and remove the drive disc and the drive disc spring.
- Replace the drive disc spring and fit the drive disc above the spring. (111)

Fitting the starter

- To fit the starter, first pull out the starter cord and place the starter in position against the crankcase. Then slowly release the starter cord so that the pulley engages with the pawls.
- Fit and tighten the screws that hold the starter.

Air filter



The air filter must be regularly cleaned to remove dust and dirt in order to avoid:

- Carburettor malfunctions
- Starting problems
- Loss of engine power
- Unnecessary wear to engine parts.
- Excessive fuel consumption.
- Remove the air filter after taking off the air filter cover. When refitting make sure that the air filter seals tightly against the filter holder. Clean the filter by brushing or shaking it. (112)

The filter can be cleaned more thoroughly by washing it in water and detergent.

An air filter that has been in use for a long time cannot be cleaned completely. The filter must therefore be replaced

1155355-38 Rev.3 2014-11-24

with a new one at regular intervals. **A damaged air filter must always be replaced.**

A HUSQVARNA chain saw can be equipped with different types of air filter according to working conditions, weather, season, etc. Contact your dealer for advice.

Spark plug



The spark plug condition is influenced by:

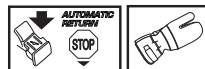
- Incorrect carburettor adjustment.
- An incorrect fuel mixture (too much or incorrect type of oil).
- A dirty air filter.

These factors cause deposits on the spark plug electrodes, which may result in operating problems and starting difficulties.

If the machine is low on power, difficult to start or runs poorly at idle speed: always check the spark plug first before taking any further action. If the spark plug is dirty, clean it and check that the electrode gap is 0,5 mm. The spark plug should be replaced after about a month in operation or earlier if necessary. (113)

Note! Always use the recommended spark plug type! Use of the wrong spark plug can damage the piston/cylinder. Check that the spark plug is fitted with a suppressor.

Needle bearing lubrication



The clutch drum has a needle bearing on the output shaft. This needle bearing must be lubricated regularly.

When lubricating, remove the clutch cover by loosening the two bar nuts. Lay the saw on its side with the clutch drum upwards.

Lubrication involves engine oil dripping into the centre of the clutch drum as it rotates. (114)

Cooling system



To keep the working temperature as low as possible the machine is equipped with a cooling system.

The cooling system consists of:

- Air intake on the starter.
- Air guide plate.
- Fins on the flywheel.
- Cooling fins on the cylinder.
- Cylinder cover (directs cold air over the cylinder). (115)

MAINTENANCE

Clean the cooling system with a brush once a week, more often in demanding conditions. A dirty or blocked cooling system results in the machine overheating which causes damage to the piston and cylinder.

”Air Injection” centrifugal cleaning

Centrifugal cleaning means the following: All air to the carburettor passes through the starter. Dirt and dust is centrifuged out by the cooling fan. **(116)**

IMPORTANT! In order to maintain operation of the centrifugal cleaning system it must be regularly maintained. Clean the air intake to the starter, the fins on the flywheel, the space around the flywheel, inlet pipe and carburettor compartment.

Winter use

Running problems can occur when using the machine in the cold and snowy conditions caused by:

- Too low engine temperature.
- Icing of the air filter and carburettor.

Special measures are therefore often required:

- Partly mask the air inlet on the starter to increase the working temperature of the engine.

Temperature -5°C or colder:



For running the machine in cold weather or powder snow, a special cover is available, which is mounted on the starter housing. This reduces the intake of cold air and prevents large amounts of snow from being sucked in. **(117)**

CAUTION! If the special winterising kit has been fitted or any measures have been taken to increase the temperature these changes must be reversed before the machine is used in normal temperature conditions. Otherwise there is a risk of overheating, resulting in severe damage to the engine.

IMPORTANT! Any maintenance other than that described in this manual must be carried out by your servicing dealer (retailer).

MAINTENANCE

Maintenance schedule

The following is a list of the maintenance steps that must be performed on the machine. Most of the items are described in the Maintenance section.

Daily maintenance	Weekly maintenance	Monthly maintenance
Clean the outside of the machine.	Check the cooling system weekly.	Check the brake band on the chain brake for wear. Replace when less than 0.6 mm (0,024 inch) remains at the most worn point.
Check that the components of the throttle control work safely. (Throttle lockout and throttle control.)	Check the starter, starter cord and return spring.	Check the clutch centre, clutch drum and clutch spring for wear.
Clean the chain brake and check that it operates safely. Make sure that the chain catcher is undamaged, and replace it if necessary.	Check that the vibration damping elements are not damaged.	Clean the spark plug. Check that the electrode gap is 0.5 mm.
The bar should be turned regularly for more even wear. Check the lubrication hole in the bar, to be sure it is not clogged. Clean the bar groove.	Lubricate the clutch drum bearing.	Clean the outside of the carburettor.
Check that the bar and chain are getting sufficient oil.	File off any burrs from the edges of the bar.	Check the fuel filter and the fuel hose. Replace if necessary.
Check the saw chain with regard to visible cracks in the rivets and links, whether the saw chain is stiff or whether the rivets and links are abnormally worn. Replace if necessary.	Clean or replace the spark arrestor mesh on the muffler.	Empty the fuel tank and clean the inside.
Sharpen the chain and check its tension and condition. Check the drive sprocket for excessive wear and replace if necessary.	Clean the carburettor compartment.	Empty the oil tank and clean the inside.
Clean the starter units air intake.	Clean the air filter. Replace if necessary.	Check all cables and connections.
Check that nuts and screws are tight.		
Check that the stop switch works correctly.		
Check that there are no fuel leaks from the engine, tank or fuel lines.		
Check that the chain does not rotate when the engine is idling.		

TECHNICAL DATA

Technical data

	435 II	435e II	440 II	440e II
Engine				
Cylinder displacement, cm ³	40,9	40,9	40,9	40,9
Cylinder bore, mm	41	41	41	41
Stroke, mm	31	31	31	31
Idle speed, rpm	2900	2900	2900	2900
Power, kW/ rpm	1,6/9000	1,6/9000	1,8/9000	1,8/9000
Ignition system				
Spark plug	NGK BPMR 7A/ Champion RCJ 7Y	NGK BPMR 7A/ Champion RCJ 7Y	NGK BPMR 7A/ Champion RCJ 7Y	NGK BPMR 7A/ Champion RCJ 7Y
Electrode gap, mm	0,5	0,5	0,5	0,5
Fuel and lubrication system				
Fuel tank capacity, litre	0,37	0,37	0,37	0,37
Oil pump capacity at 9,000 rpm, ml/min	13	13	13	13
Oil tank capacity, litre	0,25	0,25	0,25	0,25
Type of oil pump	Automatic	Automatic	Automatic	Automatic
Weight				
Chain saw without bar or chain, empty tanks, kg	4,2	4,4	4,2	4,4
Noise emissions (see note 1)				
Sound power level, measured dB (A)	112	112	113	113
Sound power level, guaranteed L _{WA} dB (A)	114	114	114	114
Sound levels (see note 2)				
Equivalent sound pressure level at the operator's ear, dB(A)	102	102	102	102
Equivalent vibration levels, a_{hveq} (see note 3)				
Front handle, m/s ²	2,5	2,5	2,5	2,5
Rear handle, m/s ²	3,2	3,2	3,2	3,2
Chain/bar				
Standard bar length, inch/cm	13"/33	13"/33	13/33	13"/33
Recommended bar lengths, inch/cm	13-18/33-45	13-18/33-45	13-18/33-45	13-18/33-45
Usable cutting length, inch/cm	12-17/31-43	12-17/31-43	12-17/31-43	12-17/31-43
Pitch, inch/mm	0,325/8,25	0,325/8,25	0,325/8,25	0,325/8,25
Thickness of drive links, inch/mm	0,050/1,3	0,050/1,3	0,050/1,3	0,050/1,3
Type of drive sprocket/number of teeth	Spur/7	Spur/7	Spur/7	Spur/7
Chain speed at 133% of maximum engine power speed, m/s.	23,1	23,1	23,1	23,1

Note 1: Noise emissions in the environment measured as sound power (L_{WA}) in conformity with EC directive 2000/14/EC.

Note 2: Equivalent sound pressure level, according to ISO 22868, is calculated as the time-weighted energy total for different sound pressure levels under various working conditions. Typical statistical dispersion for equivalent sound pressure level is a standard deviation of 1 dB (A).

Note 3: Equivalent vibration level, according to ISO 22867, is calculated as the time-weighted energy total for vibration levels under various working conditions. Reported data for equivalent vibration level has a typical statistical dispersion (standard deviation) of 1 m/s².


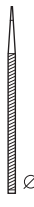

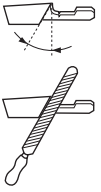

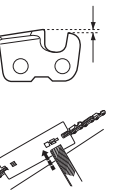
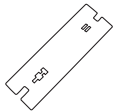
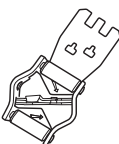
TECHNICAL DATA

Guide bar and saw chain combinations

The following cutting attachments are approved for the models Husqvarna 435 II, 435e II, 440 II and 440e II.

Guide bar				Saw chain	
Length, inch	Pitch, inch	Gauge, mm	Max. nose radius	Type	Length, drive links (no.)
13	0,325	1,3	10T	Husqvarna H30	56
15					64
16					66
18					72

Saw chain filing and file gauges

							
	inch/mm				inch/mm		
H30	3/16 / 4,8	85°	30°	10°	0,025 / 0,65	5056981-00	5056981-08

EC Declaration of Conformity

(Applies to Europe only)

Husqvarna AB, SE-561 82 Huskvarna, Sweden, tel: +46-36-146500, declares under sole responsibility that the chain saws for forest service **Husqvarna 435 II, 435e II, 440 II and 440e II** from 2013's serial numbers and onwards (the year is clearly stated in plain text on the type plate with subsequent serial number), are in conformity with the requirements of the COUNCIL'S DIRECTIVES:

- of May 17, 2006 "relating to machinery" **2006/42/EC**.
- of December 15, 2004 "relating to electromagnetic compatibility" **2004/108/EC**.
- of May 8, 2000 "relating to the noise emissions in the environment" **2000/14/EC**.

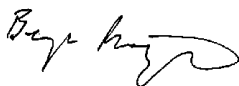
For information relating to noise emissions, see the Technical data chapter. The following standards have been applied: **EN ISO 12100:2010, ISO 14982:2009, EN ISO 11681-1:2011**

Notified body: **0404, SMP Svensk Maskinprovning AB**, Box 7035, SE-750 07 Uppsala, Sweden, has carried out EC type examination in accordance with the machinery directive's (2006/42/EC) article 12, point 3b. The certificates for EC type examination in accordance with annex IX, have the numbers: **0404/09/2012 - 435 II, 435e II, 440 II, 440e II**.

In addition, SMP, Svensk Maskinprovning AB, Box 7035, SE-750 07 Uppsala, Sweden, has certified conformity with annex V of the Council's Directive of May 8, 2000 "relating to the noise emissions in the environment" 2000/14/EC. The certificates have the numbers: **01/161/075 - 435 II, 435e II, 01/161/074 - 440 II, 440e II**.

The supplied chain saw conforms to the example that underwent EC type examination.

Huskvarna 8 April 2013



Bengt Frögelius, Development director chainsaw R&D (Authorized representative for Husqvarna AB and responsible for technical documentation.)

SYMBOLFÖRKLARING

Symboler på maskinen:

WARNING! Motorsågar kan vara farliga! Slarvigt eller felaktigt användande kan resultera i allvariga skador eller dödsfall för föraren eller andra.

Läs igenom bruksanvisningen noggrant och förstå innehållet innan du använder maskinen.

Använd alltid:

- Godkänd skyddshjälm
- Godkända hörselskydd
- Skyddsglasögon eller visir

Denna produkt överensstämmer med gällande EG-direktiv.

Bulleremissioner till omgivningen enligt Europeiska Gemenskapens direktiv. Maskinens emission anges i kapitel Tekniska data och på dekal.

Tändning; choke: Ställ chokereglaget i chokeläge. Stoppkontakten skall då automatiskt ställas i startposition.

Bränslepåfyllning.

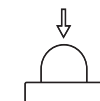
Kedjeoljauppfyllning.

Bränslepump

Inställning av oljepump.

Kedjebroms, aktiverad (höger)
Kedjebroms, ej aktiverad (vänster)

Övriga på maskinen angivna symboler/dekaler avser specifika krav för certifieringar på vissa marknader.



Symboler i bruksanvisningen:

Kontroll och/eller underhåll skall utföras med motorn fränslagen. OBS! Start/Stopp kontakten återgår automatiskt till köräge. För att undvika ofrivillig start, måste därför alltid tändhatten avlägsnas från tändstiftet vid montering, kontroll och/eller underhåll.



Använd alltid godkända skyddshandskar.



Regelbunden rengöring krävs.



Okulär kontroll.



Skyddsglasögon eller visir måste användas.



Bränslepåfyllning.



Oljepåfyllning och justering av oljeflöde.



Kedjebromsen skall vara tillslagen när motorsågen startas.



WARNING! Kast kan uppstå när svärdsspetsen kommer i kontakt med ett föremål och orsakar en reaktion som kastar svärdet uppåt och bakåt mot användaren. Detta kan orsaka allvarlig personlig skada.



INNEHÅLL

Innehåll

SYMBOLFÖRKLARING

Symboler på maskinen:	32
Symboler i bruksanvisningen:	32

INNEHÅLL

Innehåll	33
----------------	----

INLEDNING

Bäste kund!	34
-------------------	----

VAD ÄR VAD?

Vad är vad på motorsågen?	34
---------------------------------	----

ALLMÄNNA SÄKERHETSINSTRUKTIONER

Åtgärder före användning av ny motorsåg	35
Viktigt	35
Använd alltid sunt förnuft	36
Personlig skyddsutrustning	36
Maskinens säkerhetsutrustning	36
Skärutrustning	38

MONTERING

Montering av svärd och kedja	42
------------------------------------	----

BRÄNSLEHANTERING

Drivmedel	43
Tankning	44
Bränslesäkerhet	44

START OCH STOPP

Start och stopp	45
-----------------------	----

ARBETSTEKNIK

Före varje användning:	46
Allmänna arbetsinstruktioner	46
Kastförebyggande åtgärder	49

UNDERHÅLL

Allmänt	50
Förgasarjustering	50
Kontroll, underhåll och service av motorsågens säkerhetsutrustning	50
Ljuddämpare	51
Startapparat	51
Luftfilter	52
Tändstift	52
Smörjning av nållager	52
Kylsystem	53
Centrifugalrening "Air Injection"	53
Vinterbruk	53
Underhållsschema	54

TEKNISKA DATA

Tekniska data	55
Svärd och kedjekombinationer	56
Sågkedjans filning och filmallar	56
EG-försäkran om överensstämmelse	56

INLEDNING

Bäste kund!

Gratulerar till Ditt val att köpa en Husqvarna-produkt! Husqvarna har anor som går tillbaka till 1689 då kung Karl XI lät uppföra en fabrik på stranden av Huskvarnaån för tillverkning av musköter. Placeringen vid Huskvarnaån var logisk, eftersom ån användes för att alstra vattenkraft och på så sätt utgjorde ett vattenkraftverk. Under de mer än 300 år som Husqvarna-fabriken funnits har otaliga produkter tillverkats, allt från vedspisar till moderna köksmaskiner, symaskiner, cyklar, motorcyklar mm. 1956 lanserades den första motorgräsklipparen som följdes av motorsågen 1959 och det är inom detta område Husqvarna idag verkar.

Husqvarna är idag en av världens ledande tillverkare av skogs- och trädgårdsprodukter med kvalitet och prestanda som högsta prioritet. Affärsidén är att utveckla, tillverka och marknadsföra motordrivna produkter för skogs- och trädgårdsbruk samt bygg- och anläggningsindustrin. Husqvarnas mål är också att vara i framkant vad gäller ergonomi, användarvänlighet, säkerhet och miljötänkande, varför en mängd olika finesser tagits fram för att förbättra produkterna inom dessa områden.

Vi är övertygade om att Ni med tillfredsställelse kommer att uppskatta vår produkts kvalitet och prestanda under en lång tid framöver. Ett köp av någon av våra produkter ger Dig tillgång till professionell hjälp med reparationer och service om något ändå skulle hända. Om inköpsstället för maskinen inte var någon av våra auktoriserade återförsäljare, fråga dem efter närmaste serviceverkstad.

Vi hoppas att Du kommer att vara nöjd med Din maskin och att den ska få vara Din följeslagare under en lång tid framöver. Tänk på att denna bruksanvisning är en värdehandling. Genom att följa dess innehåll (användning, service, underhåll etc) kan Du väsentligt höja maskinens livslängd och även dess andrahandsvärde. Om Du säljer Din maskin, se till att överlåta bruksanvisningen till den nya ägaren.

Tack för att du använder en Husqvarna-produkt!

Husqvarna AB arbetar ständigt med att vidareutveckla sina produkter och förbehåller sig därför rätten till ändringar beträffande bl.a. form och utseende utan föregående meddelande.

Vad är vad på motorsågen? (1)

- 1 Cylinderkåpa
- 2 Bränslepump
- 3 Startpåminnelse
- 4 Kombinerad start och stoppkontakt
- 5 Bakre handtag
- 6 Informations- och varningsdekal
- 7 Bränsletank
- 8 Justerskruv för förgasare
- 9 Starthandtag
- 10 Startapparat
- 11 Kedjeoljetank
- 12 Produkt- och serienummerskytt
- 13 Fällriktmärke
- 14 Främre handtag
- 15 Kastskydd
- 16 Ljuddämpare
- 17 Sågkedja
- 18 Noshjul
- 19 Sågsvärd
- 20 Barkstöd
- 21 Kedjefångare
- 22 Kedjespännarskruv (435 II, 440 II)
- 23 Kopplingskåpa (435 II, 440 II)
- 24 Högerhandsskydd
- 25 Gasreglage
- 26 Gasreglagespär
- 27 Kopplingskåpa (435e II, 440e II)
- 28 Kedjespännarhjul
- 29 Vred
- 30 Bruksanvisning
- 31 Kombinyckel
- 32 Svärdsskydd

ALLMÄNNA SÄKERHETSINSTRUKTIONER

Åtgärder före användning av ny motorsåg

- Läs igenom bruksanvisningen noggrant.
- (1) - (117) hänvisar till illustrationer på sid. 2-6.
- Kontrollera skärutrustningens montering och justering. Se anvisningar under rubrik Montering.
- Tanka och starta motorsågen. Se anvisningar under rubrikerna Bränslehantering och Start och Stopp.
- Använd inte motorsågen förrän tillräckligt med kedjesmörjolja har nått sågkedjan. Se anvisningar under rubrik Skärutrustning.
- Långvarig exponering för buller kan ge bestående hörselskador. Använd därför alltid godkända hörselskydd.



WARNING! Under inga förhållanden får maskinens ursprungliga utformning ändras utan tillstånd från tillverkaren. Använd alltid originaltillbehör. Icke auktoriserade ändringar och/eller tillbehör kan medföra allvarliga skador eller dödsfall för föraren eller andra.



WARNING! En motorsåg kan felaktigt eller slarvigt använd vara ett farligt redskap, som kan orsaka allvarlig, till och med livshotande, skada. Det är mycket viktigt att du läser och förstår innehållet i denna bruksanvisning.



WARNING! Ljuddämparen innehåller kemikalier som kan vara cancerframkallande. Undvik kontakt med dessa kemikalier ifall ljuddämparen skulle gå sönder.



WARNING! Långvarig inandning av motorsorns avgaser, kedjeolja och damm från sågspån kan utgöra en hälsorisk.



WARNING! Denna maskin alstrar under drift ett elektromagnetiskt fält. Detta fält kan under vissa omständigheter ge påverkan på aktiva eller passiva medicinska implantat. För att reducera risken för allvarliga eller livshotande skador rekommenderar vi därför personer med implantat att rådgöra med läkare samt tillverkaren av det medicinska implantatet innan denna maskin används.



WARNING! Tillåt aldrig barn att använda eller vara i närheten av maskinen. Eftersom maskinen är utrustad med återfjädrande stoppkontakt och kan startas med låg hastighet och kraft på starthandtaget, kan även små barn under vissa omständigheter åstadkomma den kraft som behövs för att starta maskinen. Detta kan innebära risk för allvarlig personskada. Avlägsna därför tandhatten när maskinen inte är under uppsikt.

Viktigt

VIKTIGT!

Denna motorsåg för skogsbruk är konstruerad för skogsarbete såsom trädfällning, kvistning och kapning. Nationella bestämmelser kan begränsa användningen av maskinen.

Du bör endast använda de svärd/sågkedjekombinationer vi rekommenderar i kapitel Tekniska data.

Använd aldrig maskinen om du är trött, om du har druckit alkohol eller om du tar mediciner, som kan påverka din syn, ditt omdöme eller din kropps kontroll.

Använd personlig skyddsutrustning. Se anvisningar under rubrik "Personlig skyddsutrustning".

Modifiera aldrig denna maskin så att den ej längre överensstämmer med originalutförandet, och använd den inte om den verkar ha blivit modifierad av andra.

Använd aldrig en maskin som är felaktig. Följ underhålls-, säkerhetskontroll- och serviceinstruktioner i denna bruksanvisning. Vissa underhålls- och serviceåtgärder skall utföras av tränade och kvalificerade specialister. Se anvisningar under rubrik Underhåll.

Använd aldrig andra än i denna bruksanvisning rekommenderade tillbehör. Se anvisningar under rubrikerna Skärutrustning och Tekniska data.

OBS! Använd alltid skyddsglasögon eller ansiktsvisir för att minska risken för skador från slungande föremål. En motorsåg är kapabel till att slunga iväg föremål, såsom sågspån, små trästycken, etc, med stor kraft. Detta kan orsaka allvarlig skada, speciellt på ögonen.



WARNING! Att köra en motorsåg i ett instängt eller dåligt ventilerat utrymme kan orsaka dödsfall genom kvävning eller kolmonoxidförgiftning.



WARNING! En felaktig skärutrustning eller en felaktig svärd/sågkedjekombination ökar risken för kast! Använd endast de svärd/sågkedjekombinationer vi rekommenderar, samt följ filningsinstruktionen. Se anvisningar under rubrik Tekniska data.

ALLMÄNNA SÄKERHETSINSTRUKTIONER

Använd alltid sunt förnuft (2)

Det är omöjligt att täcka alla tänkbara situationer du kan ställas inför vid användande av motorsåg. Var alltid försiktig och använd sunt förnuft. Undvik situationer som du anser dig otillräckligt kvalificerad för. Om du efter att ha läst dessa instruktioner fortfarande känner dig osäker angående tillvägagångssätt, skall du rådfråga en expert innan du fortsätter. Tveka inte att kontakta din återförsäljare eller oss om du har frågor angående användning av motorsåg. Vi står gärna till tjänst och ger dig råd som hjälper dig att använda din motorsåg på ett bättre och säkrare sätt. Gå gärna en utbildning i motorsågsanvändning. Din återförsäljare, skogsvårdsskola eller ditt bibliotek kan upplysa dig om vilket utbildningsmaterial och vilka kurser som finns tillgängliga. Det pågår ett ständigt arbete med att förbättra design och teknik - förbättringar som ökar din säkerhet och effektivitet. Besök din återförsäljare regelbundet för att se vilken nytta du kan ha av de nyheter som introduceras.

Personlig skyddsutrustning



WARNING! Merparten av olyckor med motorsåg inträffar när sågkedjan träffar användaren. Vid all användning av maskinen skall godkänd personlig skyddsutrustning användas. Personlig skyddsutrustning eliminerar inte skaderisken, men den reducerar effekten av en skada vid ett olyckstillbud. Be din återförsäljare om hjälp vid val av utrustning.

- Godkänd skyddshjälm
- Hörselskydd
- Skyddsglasögon eller visir
- Handskar med sågskydd
- Byxor med sågskydd
- Stövlar med sågskydd, stålhätta och halkfri sula
- Första förband ska alltid finnas till hands.
- Brandsläckare och spade

Klädseln i övrigt bör vara åtsittande utan att begränsa dina rörelsemöjligheter.

VIKTIGT! Gnistor kan komma från ljuddämparen, svärdet och kedjan eller annan källa. Ha alltid verktyg för brandsläckning tillgängliga ifall du skulle behöva dem. På så sätt hjälper du till att förhindra skogsbränder.

Maskinens säkerhetsutrustning

I detta avsnitt förklaras vilka maskinens säkerhetsdetaljer är, samt deras funktion. För kontroll och underhåll se anvisningar under rubrik Kontroll, underhåll och service av motorsågens säkerhetsutrustning. Se anvisningar under rubrik Vad är vad?, för att hitta var dessa detaljer är placerade på din maskin.

Maskinens livslängd kan förkortas och risken för olyckor kan öka om underhåll av maskinen inte utförs på rätt sätt och om service och/eller reparationer inte utförs fackmannamässigt. Om du behöver ytterligare upplysningar kontakta närmaste serviceverkstad.



WARNING! Använd aldrig en maskin med defekt säkerhetsutrustning. Säkerhetsutrustningen ska kontrolleras och underhållas. Se anvisningar under rubrik Kontroll, underhåll och service av motorsågens säkerhetsutrustning. Om din maskin inte klarar alla kontrollerna ska serviceverkstad uppsökas för reparation.

Kedjebroms med kastskydd

Din motorsåg är utrustad med kedjebroms, vilken är konstruerad att stoppa sågkedjan vid kast. En kedjebroms reducerar risken för olyckor, men det är endast Du som användare som kan förhindra dem. (3)

Var försiktig vid användning och se till att svärdets kastrisksektor aldrig kommer i kontakt med ett föremål. (4)

- Kedjebromsen (A) aktiveras antingen manuellt (via vänsterhanden) eller med tröghetsfunktionen. (5)
- Aktivering sker när kastskyddet (B) förs framåt. (5)
- Den rörelsen aktiverar en fjäderspänd mekanism som spänner bromsbandet (C) runt motorns kedjedrivningssystem (D) (kopplingstrumman). (6)
- Kastskyddet är inte enbart konstruerat för att aktivera kedjebromsen. En annan mycket viktig funktion är att det reducerar risken för att vänsterhanden skall träffa sågkedjan om man tappar greppet om främre handtaget.
- Kedjebromsen skall vara tillslagen när motorsågen startas för att förhindra kedjan från att rotera. (55)
- Använd kedjebroms som "parkeringsbroms" vid start samt vid kortare förflyttning, för att förhindra olyckor där användare eller omgivning ofrivilligt kan komma i kontakt med sågkedjan i rörelse. Lämna inte motorsågen påslagen med kedjebromsen aktiverad under en lång stund. Motorsågen kan bli mycket varm.
- Kedjebromsen frikopplas genom att kastskyddet märkt "PULL BACK TO RESET" förs bakåt, mot främre handtaget.
- Kast kan vara blixtnabba och mycket våldsamma. De flesta kast är små och resulterar inte alltid i att kedjebromsen aktiveras. Vid sådana kast gäller att hålla motorsågen i ett stadigt grepp och att inte släppa det.
- Hur kedjebromsen aktiveras, manuellt eller via tröghetsfunktionen, styrs av hur våldsamt kastet är samt motorsågens position i förhållande till det föremål svärdets kastrisksektor kommit i kontakt med.

Vid våldsamma kast och där svärdets kastrisksektor befinner sig så långt bort från användaren som

ALLMÄNNA SÄKERHETSINSTRUKTIONER

möjligt, är kedjebromsen konstruerad så att den aktiveras via kedjebromsens motvikt (tröghet) i kastriktningen. (7)

Vid mindre våldsamma kast eller under arbetsituationer där kastrikssektorn befinner sig nära användaren, aktiveras kedjebromsen manuellt via vänsterhanden.

- Vid fälläge är vänsterhanden i ett läge som omöjliggör manuell aktivering av kedjebromsen. Vid denna typ av grepp, dvs när vänsterhanden är placerad så den ej kan påverka kastskyddets rörelse, kan kedjebromsen endast aktiveras via tröghetsfunktionen. (8)

Kommer min hand alltid att aktivera kedjebromsen vid kast?

Nej. Det krävs en viss kraft för att föra kastskyddet framåt. Om din hand endast lätt snuddar vid kastskyddet eller slinter över det, kan det hända att kraften inte är tillräckligt stark för att utlösa kedjebromsen. Du skall även hålla ett stadigt grepp om motorsågens handtag när du arbetar. Om du gör det och får ett kast, släpper du kanske aldrig handen om det främre handtaget och aktiverar inte kedjebromsen, eller också aktiveras kedjebromsen först när sågen har hunnit svänga runt en bra bit. I en sådan situation kan det hända att kedjebromsen inte hinner stoppa kedjan innan den träffar dig.

Det förekommer också vissa arbetsställningar som gör att din hand inte kan nå kastskyddet för att aktivera kedjebromsen; t.ex. när sågen hålls i fällningsposition.

Kommer tröghetsaktivering av kedjebromsen alltid ske om ett kast inträffar?

Nej. För det första måste din broms fungera. Att testa bromsen är lätt, se anvisningar under rubrik Kontroll, underhåll och service av motorsågens säkerhetsutrustning. Vi rekommenderar att du gör detta innan du påbörjar varje arbetspass. För det andra måste kastet vara tillräckligt kraftigt för att aktivera kedjebromsen. Om kedjebromsen vore för känslig skulle den ständigt aktiveras, vilket skulle vara besvärande.

Kommer kedjebromsen alltid att skydda mig från skador om ett kast inträffar?

Nej. För det första måste din broms fungera för att ge det avsedda skyddet. För det andra måste den aktiveras så som beskrivs ovan för att stoppa sågkedjan vid ett kast. För det tredje kan kedjebromsen aktiveras, men om svärdet är för nära dig kan det hända att bromsen inte hinner sakta ner och stoppa kedjan innan motorsågen träffar dig.

Endast du själv och en korrekt arbetsteknik kan eliminera kast och dess risker.

Gasreglagespär

Gasreglagespärren är konstruerad att förhindra ofrivillig aktivering av gasreglaget. När spärren (A) trycks ner i

handtaget (= när man håller om handtaget) frikopplas gasreglaget (B). När greppet om handtaget släpps återställs både gasreglaget samt gasreglagespärren till sina respektive ursprungslägen. Detta läge innebär att gasreglaget automatiskt låses på tomgång. (9)

Kedjefångare

Kedjefångaren är konstruerad att fånga upp en avhoppad eller brusten kedja. Dessa händelser undviks i de flesta fall genom en korrekt kedjespänning (se anvisningar under rubrik Montering) samt korrekt underhåll och service av svärd och kedja (se anvisningar under rubrik Allmänna arbetsinstruktioner). (10)

Högerhandsskydd

Högerhandsskyddet skall förutom att skydda handen vid ett kedjeavhopp eller när en kedja går av, se till att grenar och kvistar inte påverkar greppet om bakre handtaget. (11)

Avvibreringssystem

Din maskin är utrustad med ett avvibreringssystem, vilket är konstruerat att ge en så vibrationsfri och behaglig användning som möjligt.

Maskinens avvibreringssystem reducerar överföringen av vibrationer mellan motorenhet/skärutrustning och maskinens handtagsenhet. Motorsågkroppen, inklusive skärutrustning, hänger i handtagsenheten via s.k. avvibreringselement.

Sågning i ett hårt träslag (de flesta lövträd) ger mer vibrationer än sågning i ett mjukt (de flesta barrträd). Sågning med en oskärt eller felaktigt (fel typ eller felaktigt filad) skärutrustning ökar vibrationsnivån.



WARNING! Överexponering av vibrationer kan leda till blodkärls- eller nervskador hos personer som har blodcirkulationsstörningar. Uppsök läkare om ni upplever kroppsliga symptom som kan relateras till överexponering av vibrationer. Exempel på sådana symptom är domningar, avsaknad av känsel, "kittlingar", "stickningar", smärta, avsaknad eller reducering av normal styrka, förändringar i hudens färg eller dess yta. Dessa symptom uppträder vanligtvis i fingrar, händer eller handleder. Dessa symptom kan öka vid kalla temperaturer.

Stoppkontakt

Stoppkontakten ska användas för att stänga av motorn. (12)

ALLMÄNNA SÄKERHETSINSTRUKTIONER

Ljuddämpare

Ljuddämparen är konstruerad för att ge så låg ljudnivå som möjligt samt för att leda bort motorns avgaser från användaren.



WARNING! Motorns avgaser är heta och kan innehålla gnistor vilka kan orsaka brand. Starta därför aldrig maskinen inomhus eller nära eldfångt material!

I områden med varmt och torrt klimat kan risken för bränder vara påtaglig. Det förekommer att dessa områden regleras med lagstiftning och krav på att ljuddämparen bland annat skall vara utrustad med godkänt gnistfångarnät. (13)

Vid montering av nät, var uppmärksam på att nätet är inskjutet i rätt position. Använd vid behov kombinyckeln för att skjuta in eller ta loss nätet.

OBS! Ljuddämparen blir mycket het såväl vid användning som efter stopp. Detta gäller även vid tomgångskörning. Var uppmärksam på brandfaran, speciellt vid hantering nära brandfarliga ämnen och/eller gaser.



WARNING! Använd aldrig en motorsåg utan eller med defekt ljuddämpare. En defekt ljuddämpare kan öka ljudnivån och brandrisken avsevärt. Ha verktyg för brandsläckning tillgängliga. Använd aldrig en motorsåg utan eller med defekt gnistfångarnät om gnistfångarnät är obligatoriskt i ditt arbetsområde.

Skärutrustning

Detta avsnitt behandlar hur du genom korrekt underhåll samt genom användning av korrekt typ av skärutrustning:

- Reducerar maskinens kastbenägenhet.
- Minskar förekomsten av sågkedjeavhopp samt sågkedjebrott.
- Erhåller optimal skärprestanda.
- Ökar skärutrustningens livslängd.
- Undviker ökning av vibrationsnivåer.

Grundregler

- **Använd endast den skärutrustning vi rekommenderar!** Se anvisningar under rubrik Tekniska data.
- **Håll sågkedjans skärtänder väl och korrekt skärpta!** Följ våra instruktioner och använd rekommenderad filmall. En felskärt eller skadad sågkedja ökar risken för olyckor.
- **Håll korrekt underställning!** Följ våra instruktioner och använd rekommenderad underställningsmall. En för stor underställning ökar risken för kast.
- **Håll sågkedjan sträckt!** En otillräckligt sträckt sågkedja ökar risken för sågkedjeavhopp samt ökar slitaget på svärd, sågkedja och sågkedjedrivhjul.

- **Håll skärutrustningen välsmord och korrekt underhållen!** En otillräcklig smörjning av sågkedja ökar risken för sågkedjebrott samt ökar slitaget på svärd, sågkedja och sågkedjedrivhjul.

Kastreducerande skärutrustning



WARNING! En felaktig skärutrustning eller en felaktig svärd/sågkedjekombination ökar risken för kast! Använd endast de svärd/sågkedjekombinationer vi rekommenderar, samt följ filningsinstruktionen. Se anvisningar under rubrik Tekniska data.

Kast kan endast undvikas genom att du som användare ser till att svärdets kastrisiksektor aldrig kommer i kontakt med ett föremål.

Genom att använda skärutrustning med "inbyggd" kastreduktion och genom att skärpa och underhålla sågkedjan korrekt kan effekten av ett kast reduceras.

Sågsvärd

Ju mindre nosradie desto lägre kastbenägenhet.

Sågkedja

En sågkedja är uppbyggd av ett antal olika länkar vilka finns både i standard och i kastreducerat utförande.

VIKTIGT! Inga sågkedjor eliminerar risken för kast.



WARNING! Varje kontakt med en roterande sågkedja kan orsaka mycket svåra skador.

Några uttryck som specificerar svärd och sågkedja

För att bibehålla alla säkerhetsdetaljer på skärutrustningen, bör du ersätta slitna och skadade svärd-/kedjekombinationer mot ett svärd och en kedja som Husqvarna rekommenderar. Se anvisningar under rubrik Tekniska data för information om vilka svärd-/kedjekombinationer vi rekommenderar.

Sågsvärd

- Längd (tum/cm)
- Antal tänder i noshjulet (T).
- Sågkedjedelning (=pitch) (tum). Svärdets noshjul och motorsågens kedjedrivhjul måste vara anpassad till avståndet mellan drivlänkarna. (14)
- Antal drivlänkar (st). Varje svärds längd ger i kombination med sågkedjedelning samt antal tänder i noshjulet ett bestämt antal drivlänkar.
- Svärdsspårbredd (tum/mm). Svärdspårets bredd måste vara anpassad till sågkedjans drivlänksbredd.
- Sågkedjeoljehål och hål för kedjesträckartapp. Svärdet måste vara anpassat till motorsågens konstruktion. (15)

ALLMÄNNA SÄKERHETSINSTRUKTIONER

Sågkedja

- Sågkedjedelning (=pitch) (tum) (14)
- Drivlänksbredd (mm/tum) (16)
- Antal drivlänkar (st) (17)

Skärpning och justering av underställning hos sågkedja

Allmänt angående skärpning av skärtand

- Säg aldrig med en slö sågkedja. Tecken på att sågkedjan är slö är att du måste pressa skärutrustningen genom träet och att träspånorna är mycket små. En mycket slö sågkedja ger inga träspånor alls. Det enda resultatet blir träpuder.
- En välskärpt sågkedja äter sig själv ner genom träet och ger träspånor som är stora och långa.
- Den sågande delen hos en sågkedja kallas skärlänk och består av en skärtand (A) och en underställningsklack (B). Avståndet i höjd mellan dessa avgör skärdjupet. (18)

Vid skärpning av skärtand finns fyra mått att ta hänsyn till.

- 1 Filningsvinkel (19)
- 2 Stötvinkel (20)
- 3 Fylläge (21)
- 4 Rundfildiameter

Det är mycket svårt att skärpa en sågkedja korrekt utan hjälpmedel. Därför rekommenderar vi att du använder vår filmall. Den säkerställer att sågkedjan skärps för optimal kastreduktion och skärkapacitet. (22)

Se anvisningar under rubrik Tekniska data angående vilka data som gäller vid skärpning av din motorsågs sågkedja.



WARNING! Avsteg från skärpningsinstruktionen ökar sågkedjans kastbenägenhet avsevärt.

Skärpning av skärtand



För skärpning av skärtand behövs en rundfil och en filmall. Se anvisningar under rubrik Tekniska data angående vilken rundfildiameter samt vilken filmall som rekommenderas till din motorsågs sågkedja.

- Kontrollera att sågkedjan är sträckt. En otillräcklig sträckning gör sågkedjan instabil i sidled vilket försvårar en korrekt skärpning.
- Fila alltid från skärtandens insida och utåt. Lätta filen på returdraget. Fila alla tänderna på ena sidan först, vänd därefter motorsågen och fila den återstående sidans tänder.
- Fila så att alla tänder blir lika långa. När endast 4 mm (5/32") återstår av skärtandens längd är sågkedjan utsliten och skall slängas. (23)

Allmänt angående justering av underställning

- Vid skärpning av skärtanden minskar underställningen (=skärdjupet). För att behålla maximal skärkapacitet måste underställningsklacken sänkas till rekommenderad nivå. Se anvisningar under rubrik Tekniska data angående hur stor underställningen skall vara på din motorsågs sågkedja. (24)



WARNING! För stor underställning ökar sågkedjans kastbenägenhet!

Justering av underställning



- När justering av underställningen görs, måste skärtänderna vara nyskärpta. Vi rekommenderar att underställningen justeras efter var tredje sågkedjeskärpning. OBS! Denna rekommendation förutsätter att skärtändernas längd inte filats ner normalt.
- För justering av underställningen behövs en flatfil och en underställningsmall. Vi rekommenderar att du använder vår filmall för underställning, för att få rätt underställningsmått och rätt vinkel på underställningsklacken.
- Lägg filmallen över sågkedjan. Information om användning av filmallen finns på förpackningen. Använd flatfilen för att fila bort överskottet på den överskjutande delen av underställningsklacken. Underställningen är korrekt då inget motstånd känns när du drar filen över mallen. (25)

Sträckning av sågkedjan



WARNING! En otillräckligt sträckt sågkedja kan resultera i sågkedjeavhopplikt vilket kan orsaka allvarlig, till och med livshotande skada.

Ju mer du använder en sågkedja desto längre blir den. Det är viktigt att man justerar skärutrustningen efter denna förändring.

Sågkedjesträckningen skall kontrolleras vid varje tankningsstillfälle. OBS! En ny sågkedja kräver en inkörningsperiod under vilken man skall kontrollera sågkedjesträckningen oftare.

Generellt gäller att man skall sträcka sågkedjan så hårt som möjligt, men inte hårdare än att den lätt kan dras runt för hand. (26)

ALLMÄNNA SÄKERHETSINSTRUKTIONER

435 II, 440 II



- Lossa svärdsmuttern som låser kopplingskåpan/kedjebromsen. Använd kombinyckeln. Drag sedan åt svärdsmuttern med handkraft så hårt du kan. (27)
- Lyft upp svärdsspetsen och sträck sågkedjan genom att skruva sågkedjesträckarskraven med hjälp av kombinyckeln. Sträck sågkedjan ända tills den inte hänger slak på svärdets undersida. (28)
- Använd kombinyckeln och drag åt svärdsmuttern samtidigt som du håller upp svärdsspetsen. Kontrollera att sågkedjan lätt kan dras runt för hand och att den inte hänger ner på svärdets undersida. (29)

Bland våra motorsågsmodeller förekommer olika placeringar av sågkedjesträckarskraven. Se anvisningar under rubrik Vad är vad?, angående var den sitter på din modell.

435e II, 440e II



- Frigör vredet genom att vika ut det. (30)
- Vrid vredet moturs för att lossa svärdsskyddet. (31)
- Justera kedjespänningen genom att vrida hjulet nedåt (+) för att öka spänningen och uppåt (-) för att minska spänningen. (32)
- Dra åt svärdskopplingen genom att vrida vredet medurs. (33)
- Fäll in vredet igen för att låsa spänningen. (34)

Smörjning av skärutrustningen



WARNING! Otillräcklig smörjning av skärutrustningen kan resultera i sågkedjebrott vilket kan orsaka allvarlig, till och med livshotande skada.

Sågkedjeolja

En sågkedjeolja skall ha god vidhäftning vid sågkedjan samt ha goda flytegenskaper oavsett om det är varm sommar eller kall vinter.

Som motorsågstillverkare har vi utvecklat en optimal sågkedjeolja som genom sin vegetabiliska bas dessutom är biologiskt nedbrytbar. Vi rekommenderar användande av vår olja för maximal livslängd såväl för sågkedjan som för miljön. Är vår sågkedjeolja ej tillgänglig rekommenderas vanligt sågkedjeolja.

Använd aldrig spillolja! Den är skadlig både för dig, maskinen och miljön.

VIKTIGT! Vid användning av vegetabilisk sågkedjeolja, demontera och rengör svärdsspår och sågkedja innan långtidförvaring. Annars finns risk att sågkedjeoljan oxiderar, vilket medför att sågkedjan blir stel och svärdets noshjul kärvar.

Påfyllning av sågkedjeolja

- Samtliga våra motorsågsmodeller har automatisk sågkedjesmörjning. En del av modellerna kan även fås med justerbart oljeflöde.
- Sågkedjeoljetanken och bränsletanken är dimensionerade så att bränslet ska ta slut innan sågkedjeoljan tar slut.

Dock förutsätter denna säkerhetsfunktion att man använder korrekt sågkedjeolja (en för tunn och lättflytande olja tömmer sågkedjeoljetanken innan bränslet tar slut), att man följer vår rekommendation angående förgasarinställning (en för "mager" inställning gör att bränslet räcker längre än sågkedjeoljan) samt att man följer våra rekommendationer när det gäller skärutrustning (ett för långt svärd kräver mer kedjeolja).

Kontroll av sågkedjesmörjning

- Kontrollera sågkedjesmörjningen vid varje tankningstillfälle.

Rikta på ca 20 cm (8 tum) avstånd svärdsspetsen mot ett fast ljust föremål. Efter 1 minuts körning på 3/4 gas ska en tydlig oljerand synas på det ljusa föremålet.

Om sågkedjesmörjningen inte fungerar:

- Kontrollera att svärdets sågkedjeoljekanal är öppen. Rengör vid behov. (35)
- Kontrollera att svärdspåret är rent. Rengör vid behov. (36)
- Kontrollera att svärdets noshjul går lätt samt att noshulets smörjhål är öppet. Rengör och smörj vid behov. (37)

Om sågkedjesmörjningen inte fungerar efter genomgång av ovan listade kontroller och tillhörande åtgärder ska du uppsöka din serviceverkstad.

Kedjedrivhjul



Kopplingstrumman är försedd med något av följande kedjedrivhjul:

- A Spur-drivhjul (kedjedrivhjulet fastlött på trumman)
- B Rim-drivhjul (utbytbart) (38)

Kontrollera regelbundet slitagenivån hos kedjedrivhjulet. Byt om det är onormalt slitet. Kedjedrivhjul ska bytas vid varje sågkedjebyte.

ALLMÄNNA SÄKERHETSINSTRUKTIONER

Smörjning av nållager



Båda typer av kedjdrivhjul har ett nållager vid utgående axel vilket måste smörjas regelbundet (1 gång per vecka). OBS! Använd lagerfett av god kvalitet eller motorolja.

Se anvisningar under rubrik Underhåll, Smörjning av nållager.

Slitagekontroll av skärutrustningen



Kontrollera sågkedjan dagligen med avseende på:

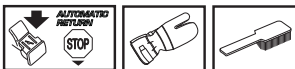
- Synliga sprickor i nitar och länkar.
- Om sågkedjan är stel.
- Om nitar och länkar är onormalt slitna.

Kassera sågkedjan om den uppvisar någon eller några av ovanstående punkter.

Vi rekommenderar att ni använder en ny sågkedja som mått på hur slitnen den sågkedja ni använder är.

Fila så att alla tänder blir lika långa. När endast 4 mm (5/32") återstår av skärtandens längd är sågkedjan utsliten och skall slängas. (23)

Sågsvärd



Kontrollera regelbundet:

- Om grader bildats på svärdsbommarnas utsidor. Fila bort vid behov.
- Om svärdsspåret är onormalt slitet. Byt svärd vid behov.
- Om svärdsnosen är onormalt eller ojämnt slitet. Om en "grop" bildats där svärdsnosens radie slutar på svärdets undersida, har du kört med otillräckligt sträckt sågkedja.
- För maximal livslängd bör svärdet vändas regelbundet.



WARNING! Merparten av olyckor med motorsåg inträffar när sågkedjan träffar användaren.

Använd personlig skyddsutrustning. Se anvisningar under rubrik "Personlig skyddsutrustning".

Undvik all användning du anser dig otillräckligt kvalificerad för. Se anvisningar under rubrikerna Personlig skyddsutrustning, Kastförebyggande åtgärder, Skärutrustning och Allmänna arbetsinstruktioner.

Undvik situationer där kastrisk föreligger. Se anvisningar under rubrik Maskinens säkerhetsutrustning.

Använd rekommenderad skärutrustning och kontrollera dess skick. Se anvisningar under rubrik Allmänna arbetsinstruktioner.

Kontrollera funktionen hos motorsågens säkerhetsdetaljer. Se anvisningar under rubrikerna Allmänna arbetsinstruktioner och Allmänna säkerhetsinstruktioner.

MONTERING

Montering av svärd och kedja



435 II, 440 II

- **Kontrollera att kedjebromsen ej är i utlöst läge genom att föra kedjebromsens kastskydd mot främre handtagsbygeln. (39)**
- Skruva bort svärdsmuttern och tag bort kopplingskåpan (kedjebromsen). Avlägsna transportskyddet (A). (40)
- Montera svärdet över svärdsbulten. Placera svärdet i sitt bakersta läge. Placera kedjan över kedjedrivhjulet och i svärdsspåret. Börja på svärdets ovansida. (41)
- Kontrollera att eggen på skäränkarna är riktade framåt på ovansidan av svärdet.
- Montera kopplingskåpan och tänk på att passa in kedjespännartappen i svärdets urtag. Kontrollera att kedjans drivlänkar passar på kedjedrivhjulet och att kedjan ligger rätt i svärdsspåret. Drag åt svärdsmuttern med fingrarna.
- Spänn kedjan genom att med hjälp av kombinyckeln skruva kedjespännarskruven medurs. Kedjan skall sträckas tills den inte hänger slak på svärdets undersida. (42)
- Kedjan är korrekt spänd när den inte hänger slak på svärdets undersida och fortfarande kan dras runt lätt för hand. Drag fast svärdsmuttern med kombinyckeln samtidigt som svärdsspetsen hålls upp. (43)
- På en ny kedja måste kedjespänningen kontrolleras ofta tills kedjan är inkörd. Kontrollera kedjespänningen regelbundet. Rätt kedja betyder bra skärkapacitet och lång livslängd. (44)

435e II, 440e II

- **Kontrollera att kedjebromsen ej är i utlöst läge genom att föra kedjebromsens kastskydd mot främre handtagsbygeln. (45)**
- Lossa kedjespännarrhjulet och ta av kopplingskåpan (kedjebromsen). Plocka av transportskyddet. (A) (46)
- Montera svärdet över svärdsbultarna. Placera svärdet i sitt bakersta läge. Placera kedjan över kedjedrivhjulet och i svärdsspåret. Börja på svärdets ovansida. (41)
- Kontrollera att eggen på skäränkarna är riktade framåt på ovansidan av svärdet.
- Montera kopplingskåpan och tänk på att passa in kedjespännartappen i svärdets urtag. Kontrollera att kedjans drivlänkar passar på kedjedrivhjulet och att kedjan ligger rätt i svärdsspåret.

- Spänn kedjan genom att vrida hjulet nedåt (+). Kedjan ska spännas åt så att den inte hänger ned under svärdet. (32)
- Kedjan är korrekt spänd när den inte hänger ned under svärdet, men samtidigt är lätt att vrida för hand. Håll upp svärdspetsen och dra åt svärdskopplingen genom att vrida vredet medurs. (33)
- På en ny kedja måste kedjespänningen kontrolleras ofta tills kedjan är inkörd. Kontrollera kedjespänningen regelbundet. Rätt kedja betyder bra skärkapacitet och lång livslängd. (44)

Montering av barkstöd

För att montera ett barkstöd – kontakta er serviceverkstad. (47)

BRÄNSLEHANTERING

Drivmedel

Observera! Maskinen är försedd med en tvåtaktsmotor och måste alltid köras på en blandning av bensin och tvåtaktsolja. För att säkerställa rätt blandningsförhållande är det viktigt att noggrant mäta den oljemängd som skall blandas. Vid tillblandning av små bränslemängder inverkar även små felaktigheter i oljemängden kraftigt på blandningsförhållandet.



Bensin



- Använd blyfri eller blyad kvalitetsbensin.
- Rekommenderat lägsta oktantal är 90 (RON). Om man kör motor på bensin med ett lägre oktantal än 90 kan så kallad spikning uppträda. Detta leder till ökad motortemperatur och ökad lagerbelastning, som kan orsaka svåra motorhaverier.
- Vid arbete med kontinuerligt höga varvtal (t ex kvistning) rekommenderas högre oktantal.

Miljöbränsle

HUSQVARNA rekommenderar användning av miljöanpassad bensin (så kallat alkylatbränsle), antingen Aspen förblandad tvåtaktsbensin eller miljöbensin för fyrtaktsmotorer blandad med tvåtaktsolja enligt nedan. Observera att förgasarjustering kan krävas vid byte av bränsletyp (se anvisningar under rubrik Förgasare).

Etanolbränsle

HUSQVARNA rekommenderar handelsbränsle med maximum 10% etanolinnehåll.

Inkörning

Körning på alltför högt varvtal under längre perioder skall undvikas under de första 10 timmarna.

Tvåtaktsolja

- För bästa resultat och funktion använd HUSQVARNA tvåtaktsolja, som är speciellt tillverkad för våra luftkylda tvåtaktsmotorer.
- Använd aldrig tvåtaktsolja avsedd för vattenkylda utombordsmotorer, s.k. outboardoil (benämnd TCW).
- Använd aldrig olja avsedd för fyrtaktsmotorer.
- En låg oljekvalitet eller för fet olje/bränsle blandning kan äventyra katalysatorns funktion och minska dess livstid.

Blandningsförhållande

1:50 (2%) med HUSQVARNA tvåtaktsolja.

1:33 (3%) med andra oljor gjorda för luftkylda tvåtaktsmotorer klassade för JASO FB/ISO EGB.

Bensin, liter	Tvåtaktsolja, liter	
	2% (1:50)	3% (1:33)
5	0,10	0,15
10	0,20	0,30
15	0,30	0,45
20	0,40	0,60

Blandning

- Blanda alltid bensin och olja i en ren behållare godkänd för bensin.
- Börja alltid med att fylla i hälften av bensinen som skall tillblandas. Fyll därefter i hela oljemängden. Blanda (skaka) bränsleblandningen. Fyll återstående mängd bensin.
- Blanda (skaka) bränsleblandningen omsorgsfullt innan maskinens bränsletank fylls.
- Blanda inte bränsle för mer än max 1 månads behov.
- Om maskinen inte används under en längre tid skall bränsletanken tömmas och rengöras.

Kedjeolja

- Som smörjning rekommenderas en speciell olja (kedjesmörjolja) med god vidhäftningsförmåga. **(48)**
- Använd aldrig spillolja. Detta medför skador på oljepumpen, svärdet och kedjan.
- Det är viktigt att använda rätt oljetyp i förhållanden till lufttemperaturen (lämplig viskositet).
- Lufttemperaturer under 0°C gör en del oljor trögflytande. Detta kan orsaka överbelastning av oljepumpen med skador på pumpdelar som följd.
- Kontakta din serviceverkstad vid val av kedjesmörjolja.

BRÄNSLEHANTERING

Tankning



VARNING! Följande försiktighetsåtgärder minskar brandrisken:

Rök inte och placera heller inte något varmt föremål i närheten av bränsle.

Stanna motorn och låt den svalna några minuter före tankning.

Öppna tanklocket sakta vid bränslepåfyllning så att eventuellt övertryck sakta försvinner.

Drag åt tanklocket noga efter tankning.

Flytta alltid maskinen från tankningsplatsen och bensindunken före start.

Torka rent runt tanklocken. Rengör bränsle- och kedjeoljetanken regelbundet. Bränslefiltret skall bytas minst en gång per år. Föroreningar i tankarna orsakar driftstörningar. Se till att bränslet är väl blandat genom att skaka behållaren innan tanken fylls. Volymen av kedjeolja- och bränsletanken är väl avpassade till varandra. Fyll därför alltid kedjeolja- och bränsletanken samtidigt. (48)



VARNING! Bränsle och bränsleångor är mycket brandfarliga. Var försiktig vid hantering av bränsle och kedjeolja. Tänk på brand-, explosions- och inandningsrisker.

Öppna tanklock och kedjeoljelock

- Tryck på den strukturerade delen av vredet och lyft till en upprätt position. (49)
- Lossa locket genom att vrida det moturs. (50)
- Tag bort locket. (51)

Stänga tanklock och kedjeoljelock

- Sätt dit locket med vredet i upprätt läge. (52)
- Drag åt locket ordentligt genom att vrida det medurs. (53)
- Fäll ned vredet. (54)

VIKTIGT! Ersätt alltid ett skadat lock.

Bränslesäkerhet

- Tanka aldrig maskinen när motorn är i drift.
- Sörj för god ventilation vid tankning och blandning av bränsle (bensin och 2-taktsolja).
- Flytta maskinen minst 3 m från tankningsstället innan du startar.
- Starta aldrig maskinen:
 - Om du spillt bränsle eller kedjeolja på maskinen. Torka av allt spill och låt bensinresterna avdunsta.
 - Om du spillt bränsle på dig själv eller dina kläder, byt kläder. Tvätta de kroppsdelar som varit i kontakt med bränsle. Använd tvål och vatten.
 - Om maskinen läcker bränsle. Kontrollera regelbundet efter läckage från tanklock och bränsleledningar.



VARNING! Använd aldrig en maskin med synliga skador på tändstiftsskydd och tändkabel. Risk för gnistbildning förekommer, vilka kan orsaka brand.

Transport och förvaring

- Förvara motorsågen och bränslet så att eventuellt läckage och ångor inte riskerar att komma i kontakt med gnistor eller öppen låga. Exempelvis elmaskiner, elmotorer, elkontakter/strömbrytare, värmepannor eller liknande.
- Vid förvaring av bränsle skall för ändamålet speciellt avsedda och godkända behållare användas.
- Vid längre tids förvaring och transport av motorsåg skall bränsle- och sågkedjeoljetankarna tömmas. Hör med närmaste bensinstation var du kan göra dig av med bränsle och sågkedjeoljaöverskott.
- Skärutrustningens transportskydd ska alltid vara monterat under transport eller förvaring av maskinen, för att undvika kontakt med den vassa kedjan av misstag. Även en kedja som inte rör sig kan orsaka allvarliga skador på användaren eller andra personer som kommer åt kedjan.
- Avlägsna tändhatten från tändstiftet. Aktivera kedjebromsen.
- Säkra maskinen under transport.

Långtidsförvaring

Töm bränsle- och oljetankarna på ett väl ventilerat ställe. Förvara bränslet i godkända dunkar på ett säkert ställe. Montera svärdsskyddet. Rengör maskinen. Se anvisningar under rubrik Underhållsschema.

Se till att maskinen är väl rengjord och att fullständig service är utförd innan långtidsförvaring.

START OCH STOPP

Start och stopp



WARNING! Innan start måste följande observeras:

Kedjebromsen skall vara tillslagen när motorsågen startas, för att minska risken för kontakt med den roterande kedjan vid start.

Starta ej motorsågen utan att svärd, kedja och samtliga kåpor är monterade. Kopplingen kan annars lossna och orsaka personskador.

Placera maskinen på ett fast underlag. Se till att du står stadigt och att kedjan ej kan ta i något föremål.

Se till att inga obehöriga finns inom arbetsområdet.

Vira aldrig startlinan runt handen.

Start

Kedjebromsen skall vara tillslagen när motorsågen startas. Aktivera bromsen genom att föra kastskyddet framåt. (55)

Kall motor

Startposition,1: Ställ start/stopp-kontakten i chokeläge genom att dra det rödfärgade reglaget utåt - uppåt. (56)

Bränslepump (2): Tryck på bränslepumpens gummiblåsa upprepade gånger tills bränsle fyller blåsan (minst 6 gånger). Blåsan behöver ej fyllas helt. (56)

Fatta om främre handtaget med vänster hand. Placera höger fot på underdelen av bakre handtaget och tryck motorsågen mot marken. (57)

Grip starthandtaget, 3: Grip starthandtaget med höger hand och drag långsamt ut startlinan tills ett motstånd känns (starthakarna griper in) och gör därefter snabba och kraftfulla ryck tills motorn tändes.

Tryck ner det röda chokereglaget, 4: Omedelbart när motorn tändes, vilket hörs genom att en "puff" ljuder, tryck ner det röda chokereglaget.

Grip starthandtaget (5): Fortsätt dra i starthandtaget tills motorn tändes.

Varm motor

Startposition,1: Det korrekta choke/startgasläget för varmstart uppnår du genom att inledningsvis röra chokereglaget genom att dra i det röda reglaget utåt och uppåt. (56)

Bränslepump (2): Tryck på bränslepumpens gummiblåsa upprepade gånger tills bränsle fyller blåsan (minst 6 gånger). Blåsan behöver ej fyllas helt. (56)

Tryck ner det röda chokereglaget, 3: Detta inaktiverar choken, eftersom den inte behövs vid start av en varm motorsåg. Att start-/stoppreglaget sätts i rörelse skapar dock ett högt varvtal, vilket underlättar varmstart.

Dra i starthandtaget, 4: Fatta om främre handtaget med vänster hand. Placera höger fot på underdelen av bakre handtaget och tryck motorsågen mot marken. (57)

Grip starthandtaget med höger hand och drag långsamt ut startlinan tills ett motstånd känns (starthakarna griper in) och gör därefter snabba och kraftfulla ryck tills motorn startar.

Eftersom kedjebromsen fortfarande är tillslagen måste motorns varvtal så snart som möjligt ner till tomgång, vilket uppnås genom att koppla ur gasspärren. Urkoppling sker genom att ge lätt gas på gastriggern. Därigenom undviker du onödigt slitage på koppling, kopplingstrumma och bromsband. Låt maskinen gå på tomgång några sekunder innan man ger full gas.

På sågens bakkant (A) finns en förenklad startpåminnelse med bilder som beskriver respektive steg. (57)

OBS! Drag inte ut startlinan helt och släpp inte heller starthandtaget från helt utdraget läge. Detta kan orsaka skador på maskinen.

Notera! Återställ kedjebromsen genom att föra kastskyddet mot handtagsbygeln. Motorsågen är härmed klar för användning.



WARNING! Långvarig inandning av motorns avgaser, kedjeolja och damm från sågspån kan utgöra en hälsorisk.

- Starta aldrig motorsågen utan att svärd, sågkedja och samtliga kåpor är korrekt monterade. Se anvisningar under rubrik Montering. Utan svärd och kedja monterad på motorsågen, kan kopplingen lossna och orsaka allvarliga skador.
- Kedjebromsen skall vara tillslagen när motorsågen startas. Se anvisningar under rubrik Start och stopp. Droppstarta aldrig motorsågen. Denna metod är mycket farlig eftersom det är lätt att tappa kontrollen över motorsågen. (55)
- Starta aldrig maskinen inomhus. Var medveten om faran med inandning av motorns avgaser.
- Iakttäck omgivningen och var säker på att det inte finns risk att människor eller djur kan komma i kontakt med skärutrustningen.
- Håll alltid motorsågen med båda händerna. Håll den högra handen på det bakre handtaget och den vänstra handen på det främre handtaget. **Alla användare, både höger- och vänsterhänta, skall använda detta grepp.** Håll ett stadigt grepp så att tummarna och fingrarna omsluter motorsågens handtag.

Stopp

Motorn stannas genom att start/stopp reglaget trycks ner. (59)

OBS! Start/Stopp kontakten återgår automatiskt till körläge. För att undvika ofrivillig start, måste därför alltid tandhatten avlägsnas från tändstiftet när maskinen inte är under uppsikt. (60)

Före varje användning: (61)

- 1 Kontrollera att kedjebromsen fungerar ordentligt och är oskadad.
- 2 Kontrollera att bakre högerhandsskyddet inte är skadat.
- 3 Kontrollera att gasreglagespärren fungerar ordentligt och är oskadad.
- 4 Kontrollera att stoppkontakten fungerar ordentligt och är oskadad.
- 5 Kontrollera att samtliga handtag är fria från olja.
- 6 Kontrollera att avvibreringssystemet fungerar och är oskadat.
- 7 Kontrollera att ljuddämparen sitter fast och är oskadad.
- 8 Kontrollera att motorsågens samtliga detaljer är åtdragna och att de inte är skadade eller saknas.
- 9 Kontrollera att kedjefångaren sitter på plats och är oskadad.
- 10 Kontrollera kedjespänningen.

Allmänna arbetsinstruktioner

VIKTIGT!

Detta avsnitt behandlar grundläggande säkerhetsregler för arbete med motorsåg. Given information kan aldrig ersätta den kunskap en yrkesman besitter i form av utbildning och praktisk erfarenhet. När du råkar ut för en situation som gör dig osäker angående fortsatt användning skall du rådfråga en expert. Vänd dig till din motorsågsaffär, din serviceverkstad eller en erfaren motorsågsanvändare. Undvik all användning du anser dig otillräckligt kvalificerad för!

Före användning av motorsågen måste du förstå vad kast innebär och hur de kan undvikas. Se anvisningar under rubrik Kastförebyggande åtgärder.

Före användning av motorsågen måste du förstå skillnaden i att såga med svärdets undersida respektive dess översida. Se anvisningar under rubrik Kastförebyggande åtgärder och Maskinens säkerhetsutrustning.

Använd personlig skyddsutrustning. Se anvisningar under rubrik "Personlig skyddsutrustning".

Grundläggande säkerhetsregler

- 1 lakta omgivningen:
- För att säkerställa att inte människor, djur eller annat kan påverka din kontroll över maskinen.
- För att förhindra att de förutnämnda inte riskerar att komma i kontakt med sågkedjan eller träffas av ett fallande träd och skadas.

OBS! Följ ovannämnda punkter men använd aldrig en motorsåg utan möjlighet att kunna påkalla hjälp i händelse av olycka.

- 2 Undvik användning vid ogynnsamma väderleksförhållanden. Exempelvis tät dimma, kraftigt regn, hård vind, stark kyla, osv. Att arbeta i dåligt

väder är tröttsamt och kan skapa farliga omständigheter, exempelvis halt underlag, påverkande på trädets fallriktning, m.m.

- 3 Var ytterst försiktig vid avsågning av smågrenar och undvik att säga i buskar (= många smågrenar samtidigt). Smågrenar kan efter avsågning fastna i sågkedjan, slungas mot dig och orsaka allvarlig personskada.
- 4 Se till att du kan gå och stå säkert. Titta efter eventuella hinder vid en oväntad förflyttning (rötter, stenar, grenar, gropar, diken, osv.). Lakta stor försiktighet vid arbete i sluttande terräng.
- 5 Var ytterst försiktig vid sågning i träd som är spända. Ett spänt träd kan både före och efter genomsågning sprätta tillbaka till sitt normalläge. Felaktig placering av dig och sågsnittet kan leda till att trädet träffar dig eller maskinen så att du tappar kontrollen. Båda omständigheterna kan orsaka allvarlig personskada.



- 6 Vid förflyttning skall sågkedjan låsas med kedjebromsen och motorn stängas av. Bär motorsågen med svärd och sågkedja bakåt. Vid längre förflyttningar samt transporter skall svärdsskyddet användas.
- 7 När du ställer ner motorsågen på marken, lås sågkedjan med kedjebromsen och se till att ha uppsikt över maskinen. Vid längre tids "parkering" skall motorn stängas av.



WARNING! Ibland fastnar spån i kopplingskåpan vilket kan leda till att kedjan kör fast. Stanna alltid motorn vid rengöring.

Grundregler

- 1 Genom att förstå vad kast innebär och hur det uppkommer, kan du reducera eller eliminera överraskningsmomentet. Överraskning ökar olycksrisken. De flesta kast är små, men en del är blixtsnabba och mycket våldsamma.
- 2 Håll alltid motorsågen i ett stadigt grepp med höger hand på bakre handtaget och vänster hand på främre handtaget. Tummar och fingrar skall omsluta handtagen. Alla användare oavsett vänster- eller höger-fattade, ska använda detta grepp. Genom detta grepp kan du bäst reducera effekten av ett kast och samtidigt behålla kontrollen över motorsågen. **Släpp inte handtagen!**
- 3 De flesta kastolyckor inträffar vid kvistning. Se till att du står stadigt och att inga föremål på marken kan få dig att snubbla eller att tappa balansen.

Genom oaksamhet kan svärdets kastrisksektor oavsiktligt träffa en gren, ett närliggande träd eller ett annat föremål, och framkalla ett kast.

Ha kontroll över arbetsstycket. Om styckena du sågar är små och lätta, kan de fastna i sågkedjan och

ARBETSTEKNIK

slungas mot dig. Även om detta i sig inte behöver vara farligt, kan du bli överraskad och tappa kontrollen över sågen. Såga aldrig staplade stockar eller grenar utan att först dra isär dem. Såga endast en stock eller ett stycke åt gången. Ta bort de avsågade styckena för att hålla ditt arbetsområde säkert. (62)

- 4 **Använd aldrig motorsågen över skulderhöjd och undvik att såga med svärdsspetsen. Använd aldrig motorsågen med enhandsfattning! (63)**
- 5 För att ha full kontroll över din motorsåg krävs att du står stabilt. Arbeta aldrig stående på en stege, uppe i ett träd eller där du inte har ett stabilt underlag att stå på. (64)
- 6 Såga med hög kedjehastighet, dvs. med fullgas.
- 7 Var ytterst försiktig när du sågar med svärdets översida, dvs. när du sågar från sågobjektets undersida. Detta kallas att såga med skjutande sågkedja. Sågkedjan skjuter då motorsågen bakåt mot användaren. Om sågkedjan kläms fast kan motorsågen kastas bakåt mot dig. (65)
- 8 Om inte användaren håller emot motorsågens strävan, finns det en risk att motorsågen skjuts så långt bakåt att svärdets kastrisksektor är den enda kontakten med trädet, vilket leder till ett kast. (66)
Att såga med svärdets undersida, dvs. att såga från sågobjektets ovasida och ner, kallas att såga med dragande sågkedja. Då dras motorsågen mot trädet och motorsågkroppens framkant blir ett naturligt stöd mot stammen. Sågning med dragande sågkedja ger användaren bättre kontroll över motorsågen samt över var svärdets kastrisksektor befinner sig. (67)
- 9 Följ filnings- och underhållsinstruktioner för svärd och sågkedja. Vid byte av svärd och sågkedja får endast av oss rekommenderade kombinationer användas. Se anvisningar under rubrikerna Skärutrustning och Tekniska data.

Grundläggande sågningsteknik



WARNING! Använd aldrig en motorsåg genom att hålla den med ena handen. En motorsåg är inte säkert kontrollerad med en hand. Ha alltid ett fast, stadigt grepp om handtagen med båda händerna.

Allmänt

- Ha alltid fullgas vid all sågning!
- Släpp ner motorn på tomgångsvarvtal efter varje sågsnitt (längre tids fullvarv utan att motorn belastas, dvs. utan motståndet som motorn upplever via sågkedjan vid sågning, ger allvarlig motorskada).
- Att såga ovanifrån = Att såga med "dragande" sågkedja.
- Att såga underifrån = Att såga med "skjutande" sågkedja.

Sågning med "skjutande" sågkedja innebär ökad kastrisk. Se anvisningar under rubrik Kastförebyggande åtgärder.

Benämningar

Kapning = Generell benämning för genomsågning av trä.

Kvistning = Kapa av grenar från ett fallt träd.

Spjälkning = När det objekt som du skall kapa bryts av innan sågsnittet är fullbordat.

Inför varje kapning finns det fem mycket viktiga faktorer att ta hänsyn till:

- 1 Skärutrustningen får inte klämmas fast i sågsnittet. (68)
- 2 Sågningsobjektet får inte spjälkas. (69)
- 3 Sågkedjan får inte träffa marken eller annat föremål under och efter genomsågningen. (70)
- 4 Föreligger kastrisk? (4)
- 5 Kan terrängen och omgivnings utseende påverka hur stabilt och säkert du kan gå och stå?

Att sågkedjan kläms fast eller att sågobjektet spjälkas orsakas av två faktorer: Vilket stöd sågobjektet har före och efter kapning samt om sågobjektet befinner sig i spänning.

Förutnämnda oönskade företeelser kan i de flesta fall undvikas genom att utföra kapningen i två steg, både från över- resp. undersidan. Det gäller att neutralisera sågobjektets "vilja" att klämma fast sågkedjan eller att spjälkas.

VIKTIGT! Om sågkedjan klämts fast i sågsnittet: stanna motorn! Försök inte rycka loss motorsågen. Om du gör det kan du skada dig på sågkedjan när motorsågen plötsligt lossnar. Använd en hävarm för att få loss motorsågen.

Den listning som nu följer är en teoretisk genomgång av hur de vanligaste situationerna en motorsågsanvändare kan råka ut för skall hanteras.

Kvistning

Vid kvistning av tjockare grenar skall samma principer som för kapning tillämpas.

Kapa besvärliga grenar bit för bit. (71)

Kapning



WARNING! Försök aldrig såga stockar när de är travade eller när ett par stockar ligger tätt ihop. Sådana tillvägagångssätt ökar drastiskt risken för kast som kan resultera i en allvarlig eller livshotande skada.

Om du har en trave stockar, skall varje stock som du tänker kapa tas bort från traven, placeras på en sågblock eller löpare och kapas för sig.

Ta bort de kapade styckena från arbetsområdet. Genom att lämna dem i arbetsområdet, ökar du både risken för att av misstag få ett kast, och risken för att tappa balansen när du arbetar. (72)

ARBETSTEKNIK

Stocken ligger på marken. Ingen risk för fastklämning av sågkedjan eller spjälkning av sågobjektet föreligger. Risken är dock stor att sågkedjan träffar marken efter genomsågning. (73)

Såga ovanifrån genom hela stocken. Var försiktig under slutet av sågsnittet för att undvika att sågkedjan träffar marken. Behåll fullgas men var beredd på vad som kommer att hända. (74)

Om möjlighet finns (= kan stocken roteras?) bör sågsnittet avslutas 2/3 in i stocken.

Rotera stocken så att resterande 1/3 kan avslutas ovanifrån. (75)

Stocken har stöd i ena änden. Stor risk för spjälkning. (76)

Börja med att såga underifrån (ca 1/3 av stockdiametern). Avsluta ovanifrån så att sågskären möts. (77)

Stocken har stöd i båda ändar. Stor risk för fastklämning av sågkedjan. (78)

Börja med att såga ovanifrån (ca 1/3 av stockdiametern). Avsluta underifrån så att sågskären möts. (79)

Trädfällningsteknik

VIKTIGT! Det krävs mycket erfarenhet för att fälla ett träd. En oerfaren motorsågsanvändare skall inte fälla träd. Undvik all användning du anser dig otillräckligt kvalificerad för!

Säkerhetsavstånd

Säkerhetsavståndet mellan trädet som skall fällas och närmsta arbetsplats skall vara 2 1/2 trädlängder. Se till att ingen befinner sig inom denna "riskzon" före och under fällning. (80)

Fällriktning

Målsättningen vid trädfällning är att placera trädet på ett sådant sätt att efterföljande kvistning samt uppkapning av stock kan utföras i så "enkel" terräng som möjligt. Man skall kunna gå och stå säkert.

Efter att ha fattat beslut angående i vilken riktning du vill att trädet skall falla måste du göra en bedömning angående trädets naturliga fallriktning.

De faktorer som styr detta är:

- Lutning
- Krokighet
- Vindriktning
- Koncentration av grenar
- Eventuell snötyngd
- Hinder inom trädets räckvidd: t.ex. andra träd, kraftledningar, vägar och byggnader.
- Titta efter skador och röta i stammen, vilket gör det mer troligt att trädet går av och börjar falla innan du förväntar dig detta.

Efter denna bedömning kan man vara tvungen att låta trädet falla i sin naturliga fallriktning eftersom det är omöjligt eller för riskfyllt att försöka placera det i den riktning man planerat från början.

En annan mycket viktig faktor, som inte påverkar fallriktningen, men din personliga säkerhet, är att kontrollera så att trädet inte har några skadade eller "döda" grenar som kan brytas av och skada dig under fällningsarbetet.

Det som främst skall undvikas är att det fallande trädet fastnar i ett annat. Att ta ner ett fastfällt träd är mycket farligt och innebär en mycket stor olycksrisk. Se anvisningar under rubrik Hantering av ett misslyckat fällningsresultat. (81)

VIKTIGT! Vid kritiska fällningsmoment bör hörselskydden vara uppfällda så snart sågningen upphört, så att ljud och varningssignaler kan uppmärksammas.

Underkvistning och reträttväg

Kvista av stammen upp till axelhöjd. Det är säkrast att arbeta uppfifrån och ned och att ha stammen mellan dig och motorsågen. (82)

Rensa upp undervegetationen runt trädet och ge akt på eventuella hinder (stenar, grenar, gropar, osv.) så att du har en lättframkomlig reträttväg när trädet börjar falla. Reträttvägen bör ligga ca 135° snett bakåt från trädets planerade fallriktning. (83)

- 1 Riskzon
- 2 Reträttväg
- 3 Fällriktning

Fällning



WARNING! Vi avråder otillräckligt kvalificerade användare från att fälla ett träd med en svårdslängd som är mindre än stamdiametern!

Fällningen utförs med tre sågsnitt. Först görs riktskåret, som består av ett överskär och ett underskär, och sedan avslutas fällningen med fällskåret. Genom korrekt placering av dessa sågskär kan man styra fallriktningen mycket exakt.

Riktskär

Vid utsågning av riktskåret börjar man med överskåret. Sikta efter sågens fällriktmärken (1) mot ett mål längre fram i terrängen, där du vill att trädet skall falla (2). Stå på höger sida om trädet, bakom sågen, och såga med dragande sågkedja.

Såga sedan underskåret så att det avslutas exakt där överskåret avslutats. (84)

Riktskärslinjen skall vara 1/4 av stamdiametern och vinkeln mellan över- och underskär minst 45°.

De båda skärens möte kallas riktskärslinje. Riktskärslinjen skall ligga exakt horisontalt och samtidigt bilda en rät vinkel (90°) mot vald fallriktning. (85)

Fällskär

Fällskåret sågas från andra sidan av trädet och måste ligga absolut horisontalt. Stå på vänster sida om trädet och såga med dragande sågkedja.

ARBETSTEKNIK

Placera fällskäret ca 3-5 cm (1,5-2 tum) över riktsskärrets horisontalplan. (86)

Sätt i barkstödet (om något är påmonterat) bakom brytmånen. Såga med fullgas och för sågkedjan/svärdet sakta in i trädet. Var observant på om trädet rör sig i motsatt riktning till vald fallriktning. Sätt i en fällkil eller ett brytjärn i fällskäret så snart skärdjupet tillåter.

Fällskäret skall avslutas parallellt med riktsskärslinjen så att avståndet mellan de båda är minst 1/10 av stamdiametern. Den icke genomsågade delen av stammen kallas brytmån.

Brytmånen fungerar som ett gångjärn som styr riktningen av det fallande trädet. (87)

All kontroll över trädets fallriktning förloras om brytmånen är för liten eller genomsågad eller om riktsskär och fällskär är felplacerade. (88)

När fällskäret och riktsskäret är fullbordade skall trädet börja falla av sig själv eller med hjälp av fällkilen eller brytjärnet. (89)

Vi rekommenderar användande av en svärds längd som överstiger trädets stamdiameter, så att fäll- och riktsskär kan utföras med ett s.k. "enkelt sågsnitt". Se anvisningar under rubrik Tekniska data angående vilka svärds längder som rekommenderas för din motorsågsmodell.

Det finns metoder för fällning av träd med stamdiametrar större än svärds längden. Dessa metoder medför en mycket stor risk att svärdets kastrisksektor kommer i kontakt med ett föremål. (4)

Hantering av ett misslyckat fällningsresultat

Nedtagning av ett "fastfällt träd"

Att ta ner ett fastfällt träd är mycket farligt och innebär en mycket stor olycksrisk.

Försök aldrig att såga ner det påfällda trädet.

Arbeta aldrig inom riskområdet för hängande fastfälda träd. (90)

Den säkraste metoden är att använda en vinsk.

- Traktormonterad
- Bärbar

Sågning i träd och grenar som befinner sig i spänning

Förberedelser: Bedöm i vilken riktning spänningen strävar samt var den har sin brytpunkt (dvs. det ställe där den skulle brytas av om den spändes ytterligare). (91)

Avgör hur du säkrast frigör spänningen och om du klarar av att göra det. Vid extra komplicerade situationer är den enda säkra metoden att avstå från motorsågsanvändning och använda en vinsk.

Generellt gäller:

Placera dig så att du inte riskerar att träffas av trädet/grenen när spänningen frigörs. (92)

Gör ett eller flera sågsnitt på eller i närheten av brytpunkten. Såga så djupt in i och med så många sågsnitt som krävs för att spänningen i trädet/grenen skall frigöras så lagom att trädet/grenen "bryts" av vid brytpunkten. (93)

Såga aldrig helt igenom ett objekt som befinner sig i spänning!

Om du måste såga igenom trädet/kvisten, gör två eller tre skär med 3 cm mellanrum och 3-5 cm djup. (94)

Fortsätt att såga djupare tills trädets/kvistens bändning och spänning frigörs. (95)

Såga trädet/kvisten från den motsatta sidan, efter att spänningen har frigjorts.

Kastförebyggande åtgärder



VARNING! Kast kan vara blixtsnabba, plötsliga och våldsamma och kan kasta motorsåg, svärd och sågkedja mot användaren. Är sågkedjan i rörelse när och om den träffar användaren kan mycket allvarlig, till och med livshotande skada uppstå. Det är nödvändigt att förstå vad som orsakar kast och att de kan undvikas genom försiktighet och rätt arbetsteknik.

Vad är kast?

Kast är benämningen på en plötslig reaktion där motorsåg och svärd kastas från ett föremål som kommit i kontakt med svärdsspetsens övre kvadrant, den s.k. kastrisksektorn. (66)

Kast färdas alltid i svärdsplanets riktning. Vanligast är att motorsåg och svärd kastas uppåt och bakåt mot användaren. Dock förekommer andra kastriktningar beroende på vilket läge motorsågen har i det ögonblick svärdets kastrisksektor kommer i kontakt med ett föremål. (7)

Kast kan endast inträffa när svärdets kastrisksektor kommer i kontakt med ett föremål. (4)

Kvistning



VARNING! De flesta kastolyckor inträffar vid kvistning. Använd inte svärdets kastrisksektor. Var ytterst försiktig och undvik att svärdsspetsen kommer i kontakt med stocken, andra grenar eller föremål. Var ytterst försiktig med grenar som befinner sig i spänning. De kan fjädra tillbaka mot dig och orsaka att du tappar kontrollen, vilket kan resultera i skador.

Se till att du kan gå och stå säkert! Arbeta från den vänstra sidan av stammen. Arbeta så nära motorsågen som möjligt för bästa kontroll. När så tillåtes skall du låta sågens tyngd vila på stammen.

Förflytta dig endast då du har stammen mellan dig och motorsågen.

Uppkapning av stammen till stock

Se anvisningar under rubrik Grundläggande sågningsteknik.

UNDERHÅLL

Allmänt

Användaren får endast utföra sådana underhålls- och servicearbeten som beskrivs i denna bruksanvisning. Mer omfattande ingrepp skall utföras av en auktoriserad serviceverkstad.

Förgasjustering

Din Husqvarna-produkt har konstruerats och tillverkats enligt specifikationer som reducerar de skadliga avgaserna.

Funktion

- Via gasreglaget styr förgasaren motorns varvtal. I förgasaren blandas luft/bränsle. Denna luft/bränsleblandning är justerbar. För att utnyttja maskinens maximala effekt måste justeringen vara korrekt.
- T-skruv reglerar gasreglets läge vid tomgång. Skruvas T-skruv medurs fås högre tomgångsvarvtal och skruvas den moturs fås lägre tomgångsvarvtal.

Grundinställning och inkörning

Vid provkörning på fabrik grundinställs förgasaren. Finjustering skall utföras av utbildad kunnig person.

Rek. tomgångsvarvtal: Se kapitel Tekniska data.

Finjustering av tomgång T

Inställning av tomgång göres med skruven märkt T. Är justering nödvändig skruva in (medurs) tomgångsskruv T med motorn igång tills kedjan börjar rotera. Öppna (moturs) därefter tills kedjan står stilla. Korrekt inställt tomgångsvarvtal är när motorn arbetar jämnt i alla positioner med god marginal till det varvtal där kedjan börjar rotera.



VARNING! Kan tomgångsvarvtalet ej justeras så att kedjan står stilla, kontakta serviceverkstad. Använd inte motorsågen förrän den är korrekt inställd eller reparerad.

Korrekt justerad förgasare

En korrekt justerad förgasare innebär att maskinen accelererar utan att tveka och att den fyraktar något vid fullgas. Vidare får kedjan ej rotera vid tomgång. Ett för magert inställt L-munstycke kan ge startsvårighet och dålig acceleration. Ett för magert inställt H-munstycke ger maskinen lägre effekt = "mindre ork", dålig acceleration och/eller motorskada.

Kontroll, underhåll och service av motorsågens säkerhetsutrustning

Observera! All service och reparation av maskinen kräver specialutbildning. Detta gäller särskilt maskinens säkerhetsutrustning. Om maskinen inte klarar någon av nedan listade kontroller rekommenderar vi dig att uppsöka din serviceverkstad.

Kedjebroms med kastskydd

Kontroll av bromsbandsslitage



Rengör kedjebroms och kopplingstrumma från spån, kåda och smuts. Nedsmutsning och slitage påverkar bromsfunktionen. (96)

Kontrollera regelbundet att minst 0,6 mm av bromsbandets tjocklek återstår på det mest slitna stället.

Kontroll av kastskydd



Kontrollera att kastskyddet är helt och utan synbara defekter, t ex materialsprickor.

För kastskyddet fram och åter för att kontrollera att det går lätt samt att det är stabilt förankrat vid dess led i kopplingskåpan.

Kontroll av tröghetsfunktionen



Håll motorsågen, med motorn avstängd, över en stubbe eller över ett annat stabilt föremål. Släpp främre handtaget och låt motorsågen falla av egen tyngd, roterande runt bakre handtaget, mot stubben. (97)

Då svärdsspetsen träffar stubben ska bromsen lösa ut. (98)

Kontroll av bromsverkan

Placera motorsågen på ett stabilt underlag och starta den. Se till att sägkedjan ej kan komma i kontakt med marken eller annat föremål. Se anvisningar under rubrik Start och stopp. (99)

Håll motorsågen i ett stadigt grepp med tummar och fingrar slutna om handtagen.

Ge fullgas och aktivera kedjebromsen genom att vrida vänster handled mot kastskyddet. Släpp inte främre handtaget. **Kedjan ska omedelbart stoppas. (58)**

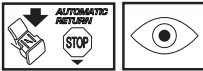
UNDERHÅLL

Gasreglagespärr



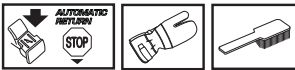
- Kontrollera att gasreglaget är låst i tomgångsläge när gasreglagespärren är i sitt ursprungsläge. (100)
- Tryck in gasreglagespärren och kontrollera att den återgår till sitt ursprungsläge när den släpps. (101)
- Kontrollera att gasreglaget och gasreglagespärren går lätt samt att deras returfjädersystem fungerar. (102)
- Starta motorsågen och ge fullgas. Släpp gasreglaget och kontrollera att kedjan stannar och att den förblir stillastående. Om kedjan roterar med gasreglaget i tomgångsläge skall förgasarens tomgångsjustering kontrolleras.

Kedjefångare



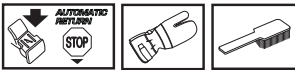
Kontrollera att kedjefångaren är hel och att den sitter fast i motorsågkroppen. (103)

Högerhandsskydd



Kontrollera att högerhandsskyddet är helt och utan synbara defekter, t ex materialsprickor. (11)

Avvibreringssystem



Kontrollera regelbundet avvibreringselementen efter materialsprickor och deformationer. Kontrollera att avvibreringselementen är fast förankrade mellan motorenhet respektive handtagsenhet. (104)

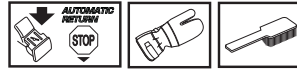
Stoppkontakt



Starta motorn och kontrollera att motorn stängs av när stoppkontakten förs till stoppläget. (59)

OBS! Start/Stoppkontakten återgår automatiskt till köriläge. För att undvika ofrivillig start, måste därför alltid tandhatten avlägsnas från tändstiftet vid montering, kontroll och/eller underhåll.

Ljuddämpare



Använd aldrig en maskin som har en defekt ljuddämpare. Kontrollera regelbundet att ljuddämparen sitter fast på motorn. (105)

Vissa ljuddämpare är utrustade med ett speciellt gnistfångarnät. Om Din maskin är utrustad med en sådan ljuddämpare bör nätet rengöras en gång per vecka. Detta görs bäst med en stålborste. Ett igensatt nät leder till varmkörning av motorn med allvarlig motorskada som följd.

Observera! Vid eventuella skador på nätet skall detta bytas. Med ett igensatt nät överhettas maskinen med skador på cylinder och kolv som följd. Använd aldrig maskinen med en ljuddämpare som är i dåligt skick.

Använd aldrig en ljuddämpare utan eller med defekt gnistfångarnät. (13)

Ljuddämparen är utformad för att dämpa ljudnivån och för att leda avgaserna bort från användaren. Avgaserna är heta och kan innehålla gnistor vilka kan orsaka brand om avgaserna riktnas mot ett torrt och brännbart material.

Startapparat



VARNING! Returfjäders ligger i uppspänn läge i startapparathuset och kan vid ovarsam behandling sprätta ut och orsaka personskador.

Vid byte av startfjäder eller startlina skall varsamhet iakttagas. Använd skyddsglasögon och skyddshandskar.

Byte av startlina



- Lossa skruvarna som håller startapparaten mot vevhuset och lyft bort startapparaten. (106)
- Drag ut linan ca 30 cm och lyft upp den i urtaget i linhjulets periferi. Nollställ returfjäders genom att låta hjulet sakta rotera baklänges. (107)
- Lossa skruven i linhjulets centrum och lyft bort medbringarhjul (A), medbringarfjäder (B) och linhjul (C). För in och fäst ny startlina i linhjulet. Linda ca 3 varv av startlinan på linhjulet. Montera linhjulet mot returfjäders (D) så att returfjäders ände hakar i linhjul. Montera därefter medbringarfjäder, medbringarhjul och skruven i linhjulets centrum. För startlinan genom hålet i startapparathuset och starthandtaget. Knyt därefter en ordentlig knut på startlinan. (108)

UNDERHÅLL

Uppspänning av returfjäder

- Lyft upp startlinan i urtaget på linhjulet och vrid linhjulet ca 2 varv medurs.
Observera! Kontrollera att linhjulet kan vridas ytterligare minst 1/2 varv då startlinan är helt utdragen. (109)

Sträck linan med handtaget. Flytta tummen och släpp linan. Se bild nedan. (110)

Byte av retur- och medbringarfjäder



Returfjäder (A)

- Lyft upp linhjulet. Se anvisningar under rubrik Byte av brusten eller sliten startlina. Tänk på att returfjädern ligger uppspänd i startapparatens hus.
- Demontera kassett med returfjäder ur startapparatens hus.
- Smörj returfjädern med tunn olja. Montera kassetten med returfjäder i startapparatens hus. Montera linhjulet och spänn upp returfjädern.

Medbringarfjäder (B)

- Lossa skruven i linhjulets centrum och lyft bort medbringarhjul och medbringarfjäder.
- Byt ut medbringarfjäder och montera medbringarhjulet ovanpå fjädern. (111)

Montering av startapparatens

- Montera startapparatens genom att först dra ut startlinan och sedan lägga startapparatens på plats mot vevhuset. Släpp därefter långsamt in startlinan så att starthakarna griper in i linhjulet.
- Montera och drag fast skruvarna som håller startapparatens.

Luftfilter



Luftfiltret skall regelbundet rengöras från damm och smuts för att undvika:

- Förgasarsförstörningar
- Startproblem
- Sämre effekt
- Onödigt slitage på motors delar.
- Onormalt hög bränsleförbrukning.
- Luftfiltret demonteras efter att luftfilterkåpan lyfts bort. Vid montering, se till att luftfiltret sluter helt tätt mot filterhållaren. Skaka eller borsta rent filtret. (112)

En mer genomgående rengöring erhålls genom att tvätta luftfiltret i tvålvatten.

Ett länge använt luftfilter kan aldrig bli fullständigt rent. Därför måste filtret med jämna mellanrum ersättas med ett nytt. **Ett skadat luftfilter måste alltid bytas ut.**

En HUSQVARNA motorsåg kan utrustas med olika typer av luftfilter beroende på arbetsmiljö, väderlek, årstid etc. Kontakta era återförsäljare för rådgivning.

Tändstift



Tändstiftets kondition påverkas av:

- En felaktigt inställd förgasare.
- En felaktig oljeblandning i bränslet (för mycket eller felaktig olja).
- Ett smutsigt luftfilter.

Dessa faktorer orsakar beläggningar på tändstiftets elektroder och kan förorsaka driftstörningar och startsvårigheter.

Om maskinens effekt är låg, om den är svår att starta eller om tomgången är orolig: kontrollera alltid först tändstiftet innan ytterligare åtgärder vidtages. Om tändstiftet är igensatt, rengör det och kontrollera samtidigt att elektrodgapet är 0,5 mm. Tändstiftet bör bytas efter ungefär en månad i drift eller om nödvändigt tidigare. (113)

Observera! Använd alltid rekommenderad tändstiftstyp! Felaktigt tändstift kan förstöra kolv/cylinder. Se till att tändstiftet har s.k. radioavstörning.

Smörjning av nållager



Kopplingstrumman är försedd med ett nållager vid utgående axel. Detta nållager måste smörjas regelbundet.

Vid smörjning demonteras kopplingskåpan genom att lossa de två svärdsmuttrarna. Placera sågen liggande på sidan med kopplingstrumman uppåt.

Smörjning sker genom att motorolja droppas intill kopplingstrummans centrum samtidigt som kopplingstrumman roteras. (114)

Kylsystem



För att erhålla en så låg driftstemperatur som möjligt är maskinen utrustad med ett kylsystem.

Kylsystemet består av:

- 1 Luftintag i startapparat.
- 2 Luftledskena.
- 3 Fläktvingar på svänghjulet.
- 4 Kylflänsar på cylindern.
- 5 Cylinderkåpa (leder kyl luften mot cylindern). **(115)**

Rengör kylsystemet med en borste en gång per vecka, vid svårare förhållanden oftare. Ett smutsigt eller igensatt kylsystem leder till överhettning av maskinen med skador på cylinder och kolv som följd.

Centrifugalrening "Air Injection"

Centrifugalrening innebär följande: All luft till förgasaren kommer (tages) genom startapparaten. Smuts och damm centrifugeras bort av kylfläkten. **(116)**

VIKTIGT! För att bibehålla centrifugalreningens funktion måste kontinuerlig skötsel och vård göras. Rengör startapparatus luftintag, svänghjulets fläktvingar, utrymmet runt svänghjulet, insugsröret och förgasarutrymmet.

Vinterbruk

Vid användning av maskinen i kyla och under snöförhållanden kan driftsstörningar uppstå, orsakade av:

- För låg motortemperatur.
- Isbildning på luftfilter och frysning i förgasare.

Därför krävs ofta speciella åtgärder såsom att:

- Delvis minska startapparatus luftintag och därmed höja motorns arbetstemperatur.

Temperatur -5°C eller kallare:



För körning av maskinen i kallt väder eller i lössnö finns en speciell täckkåpa som monteras på startapparatuset. Detta reducerar intaget av kylluft och förhindrar att större mängder snö sugas in. **(117)**

OBS! Är speciell vintersats monterad eller temperaturhöjande åtgärder vidtagna, måste omställning ske till normal inställning, då maskinen användes under normala temperaturförhållanden. I annat fall riskeras överhettning med svåra motorskador som följd.

VIKTIGT! Allt underhåll utöver vad som nämnts i denna bok ska åtgärdas av servande fackhandel (återförsäljare).

UNDERHÅLL

Underhållsschema

Nedan följer en lista över den skötsel som skall utföras på maskinen. De flesta av punkterna finns beskrivna i avsnittet Underhåll.

Daglig tillsyn	Veckotillsyn	Månadstillsyn
Rengör maskinen utvändigt.	Kontrollera kylsystemet varje vecka.	Kontrollera bromsbandet på kedjebromsen med avseende på slitage. Byt när mindre än 0,6 mm återstår på det mest slitna stället.
Kontrollera att gasreglages ingående delar fungerar säkerhetsmässigt. (Gasreglagespärr och gasreglage.)	Kontrollera startapparaten, startlinan och returfjädern.	Kontrollera kopplingscentrumet, kopplingstrumman och kopplingsfjädern med avseende på slitage.
Rengör kedjebromsen och kontrollera dess funktion ur säkerhetssynpunkt. Kontrollera att kedjefångaren är oskadad, byt om erforderligt.	Kontrollera att avvibreringselementet inte är skadade.	Rengör tändstiftet. Kontrollera att elektrodavståndet är 0,5 mm.
Svärdet skall regelbundet vändas för jämnare slitage. Kontrollera att hålet för smörjningen i svärdet inte är igensatt. Rengör kedjespåret.	Smörj kopplingstrummans lager.	Rengör förgasaren utvändigt.
Kontrollera att svärd och kedja får tillräckligt med olja.	Fila bort eventuella grader på svärdets sidor.	Kontrollera bränslefiltret och bränsleslangen. Byt om det behövs.
Kontrollera sågkedjan med avseende på synliga sprickor i nitar och länkar, om sågkedjan är stel eller om nitar och länkar är onormalt slitna. Byt om det behövs.	Rengör eller byt ljuddämparens gnistfångarnät.	Töm bränsletanken och rengör den invändigt.
Skärp kedjan och kontrollera dess spänning och kondition. Kontrollera att kedjedrivhjulet inte är onormalt slitet, byt om erforderligt.	Rengör förgasarutrymmet.	Töm oljetanken och rengör den invändigt.
Rengör startapparatus luftintag.	Rengör luftfiltret. Byt om det behövs.	Kontrollera alla kablar och anslutningar.
Kontrollera att skruvar och muttrar är åtdragna.		
Kontrollera att stoppkontakten fungerar.		
Kontrollera att inget bränsleläckage finns från motor, tank eller bränsleledningar.		
Kontrollera att kedjan inte roterar vid tomgång.		

TEKNISKA DATA

Tekniska data

	435 II	435e II	440 II	440e II
Motor				
Cylindervolym, cm ³	40,9	40,9	40,9	40,9
Cylinderdiameter, mm	41	41	41	41
Slaglängd, mm	31	31	31	31
Tomgångsvarvtal, r/min	2900	2900	2900	2900
Effekt, kW/ r/min	1,6/9000	1,6/9000	1,8/9000	1,8/9000
Tändsystem				
Tändstift	NGK BPMR 7A/ Champion RCJ 7Y	NGK BPMR 7A/ Champion RCJ 7Y	NGK BPMR 7A/ Champion RCJ 7Y	NGK BPMR 7A/ Champion RCJ 7Y
Elektroddgap, mm	0,5	0,5	0,5	0,5
Bränsle-/smörjsystem				
Volym bensintank, liter	0,37	0,37	0,37	0,37
Kapacitet oljepump vid 9000 r/min, ml/ min	13	13	13	13
Volym oljetank, liter	0,25	0,25	0,25	0,25
Typ av oljepump	Automatisk	Automatisk	Automatisk	Automatisk
Vikt				
Motorsåg utan svärd, kedja samt med tomma tankar, kg	4,2	4,4	4,2	4,4
Bulleremissioner (se anm. 1)				
Ljudeffektnivå, uppmätt dB(A)	112	112	113	113
Ljudeffektnivå, garanterad L _{WA} dB(A)	114	114	114	114
Ljudnivåer (se anm. 2)				
Ekvivalent ljudtrycksnivå vid användarens öra, dB(A)	102	102	102	102
Ekvivalenta vibrationsnivåer, a_{hveq} (se anm. 3)				
Främre handtag, m/s ²	2,5	2,5	2,5	2,5
Bakre handtag, m/s ²	3,2	3,2	3,2	3,2
Kedja/svärd				
Standard svärdslängd, tum/cm	13"/33	13"/33	13/33	13"/33
Rekommenderade svärdslängder, tum/ cm	13-18/33-45	13-18/33-45	13-18/33-45	13-18/33-45
Effektiv skärlängd, tum/cm	12-17/31-43	12-17/31-43	12-17/31-43	12-17/31-43
Delning, tum/mm	0,325/8,25	0,325/8,25	0,325/8,25	0,325/8,25
Tjocklek på drivlänk, tum/mm	0,050/1,3	0,050/1,3	0,050/1,3	0,050/1,3
Typ av drivhjul/antal tänder	Spur/7	Spur/7	Spur/7	Spur/7
Kedjehastighet vid 133% av motorns maximala varvtal, m/s.	23,1	23,1	23,1	23,1

Anm. 1: Emission av buller till omgivningen uppmätt som ljudeffekt (L_{WA}) enligt EG-direktiv 2000/14/EG.

Anm. 2: Ekvivalent ljudtrycksnivå, enligt ISO 22868, beräknas som den tidsviktade energisumman för ljudtrycksnivåerna vid olika driftstillstånd. Typiskt spridningsmått för ekvivalent ljudtrycksnivå är en standardavvikelse på 1 dB (A).

Anm. 3: Ekvivalent vibrationsnivå, enligt ISO 22867, beräknas som den tidsviktade energisumman för vibrationsnivåerna vid olika driftstillstånd. Redovisade data för ekvivalent vibrationsnivå har ett typiskt spridningsmått (standardavvikelse) på 1 m/s².




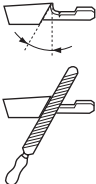

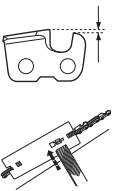
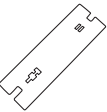
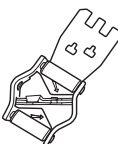
TEKNISKA DATA

Svärd och kedjekombinationer

Nedanstående skärutrustningar är typgodkända för modellerna Husqvarna 435 II, 435e II, 440 II och 440e II.

Sågsvärd				Sågedjja	
Längd, tum	Delning, tum	Spårbredd, mm	Max antal tänder, noshjul	Typ	Längd, drivlänkar (st)
13	0,325	1,3	10T	Husqvarna H30	56
15					64
16					66
18					72

Sågedjans filning och filmallar

							
H30	3/16 / 4,8	85°	30°	10°	0,025 / 0,65	5056981-00	5056981-08

EG-försäkran om överensstämmelse

(Gäller endast Europa)

Husqvarna AB, SE-561 82 Huskvarna, Sverige, tel: +46-36-146500, försäkrar härmed att motorsågarna för skogsbruk **Husqvarna 435 II, 435e II, 440 II och 440e II** från 2013 års serienummer och framåt (året anges i klartext på typskylten plus ett efterföljande serienummer) motsvarar föreskrifterna i RÅDETS DIREKTIV:

- av den 17 maj 2006 "angående maskiner" **2006/42/EG**.
- av den 15 december 2004 "angående elektromagnetisk kompatibilitet" **2004/108/EG**.
- av den 8 maj 2000 "angående emission av buller till omgivningen" **2000/14/EG**.

För information angående bulleremissionerna, se kapitel Tekniska data. Följande standarder har tillämpats:

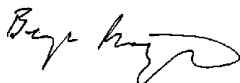
EN ISO 12100:2010, ISO 14982:2009, EN ISO 11681-1:2011

Anmält organ: **0404, SMP Svensk Maskinprovning AB**, Box 7035, SE-750 07 Uppsala, Sverige, har utfört EG-typkontroll enligt maskindirektivets (2006/42/EG) artikel 12, punkt 3b. Intygen om EG-typkontroll enligt bilaga IX, har nummer: **0404/09/2012** - 435 II, 435e II, 440 II, 440e II.

Vidare har SMP, Svensk Maskinprovning AB, Box 7035, SE-750 07 Uppsala, Sverige, intygat överensstämmelse med bilaga V till rådets direktiv av den 8 maj 2000 "angående emission av buller till omgivningen" 2000/14/EG. Certifikaten har nummer: **01/161/075** - 435 II, 435e II, **01/161/074** - 440 II, 440e II.

Den levererade motorsågen överensstämmer med det exemplar som genomgick EG-typkontroll.

Husqvarna, 8 april 2013



Bengt Frögelius, Utvecklingschef Motorsåg (Bemyndigad representant för Husqvarna AB samt ansvarig för tekniskt underlag.)

SYMBOLFORKLARING

Symboler på maskinen:

ADVARSEL! Motorsave kan være farlige! Skødesløs eller forkert brug kan resultere i alvorlige skader eller medføre døden for brugeren eller andre.

Læs brugsanvisningen omhyggeligt igennem og forstå indholdet, inden du bruger maskinen.

Brug altid:

- Godkendt beskyttelseshjelm
- Godkendt høreværn
- Beskyttelsesbriller eller ansigtsværn

Dette produkt er i overensstemmelse med gældende CE-direktiv.

Støjemissioner til omgivelserne i henhold til EF-direktiv. Maskinens emission fremgår af kapitlet Tekniske data og af en mærkat.

Tænding; choker: Sæt chokeren i chokerstilling. Stopkontakten indstilles herefter automatisk til startposition.

Påfyldning af brændstof.

Kædeoliepåfyldning.

Brændstofpumpe

Indstilling af oliepumpe.

Kædebremse, aktiveret (højre)
Kædebremse, ikke aktiveret (venstre)



Andre symboler/etiketter på maskinen gælder specifikke krav for certificering på visse markeder.

Symboler i brugsanvisningen:

Kontrol og/eller vedligeholdelse skal udføres med slukket motor.

BEMÆRK! Start/Stop-kontakten går automatisk tilbage til køreposition.

For at undgå utilsigtet start skal tændhætten altid fjernes fra tændrøret ved montering, kontrol og/eller vedligeholdelse.

Brug altid godkendte beskyttelseshandsker.

Regelmæssig rengøring kræves.

Visuel kontrol.

Beskyttelsesbriller eller ansigtsværn skal bruges.

Påfyldning af brændstof.

Oliepåfyldning og justering af olietilførsel.

Kædebremsen skal være aktiveret, når motorsaven startes.

ADVARSEL! Der kan opstå kast, hvis sværdspidsen kommer i kontakt med genstande og forårsager en reaktion, så sværdet kastes opad og tilbage mod brugeren. Dette kan medføre alvorlig personskade.



INDHOLD

Indhold

SYMBOLFORKLARING

Symboler på maskinen:	57
Symboler i brugsanvisningen:	57

INDHOLD

Indhold	58
---------------	----

INDLEDNING

Til vore kunder!	59
------------------------	----

HVAD ER HVAD?

Hvad er hvad på motorsaven?	59
-----------------------------------	----

GENERELLE SIKKERHEDSINSTRUKTIONER

Forberedelser, inden en ny motorsav tages i brug	60
Vigtigt	60
Brug altid din sunde fornuft	61
Personligt beskyttelsesudstyr	61
Maskinens sikkerhedsudstyr	61
Skæreudstyr	63

MONTERING

Montering af sværd og kæde	67
----------------------------------	----

BRÆNDSTOFHÅNTERING

Drivmiddel	68
Tankning	69
Brændstofsikkerhed	69

START OG STOP

Start og stop	70
---------------------	----

ARBEJDSTEKNIK

Før hver anvendelse:	71
Generelle arbejdsinstruktioner	71
Kastforebyggende foranstaltninger	74

VEDLIGEHOLDELSE

Generelt	75
Karburatorjustering	75
Kontrol, vedligeholdelse og service af motorsavens sikkerhedsudstyr	75
Lyddæmper	76
Startaggregat	76
Luftfilter	77
Tændrør	77
Smøring af nålelejer	77
Kølesystem	78
Centrifugalrensning "Air Injection"	78
Vinterbrug	78
Vedligeholdelsesskema	79

TEKNISKE DATA

Tekniske data	80
Sværd- og kædekombinationer	81
Slibeskalaer og slibning af savkæde	81
EF-overensstemmelseserklæring	81

INDLEDNING

Til vore kunder!

Til lykke med dit Husqvarna-produkt! Husqvarna har en historie, der går tilbage til 1689, da kong Karl XI lod opføre en fabrik på bredden af Huskvarna-åen til fremstilling af musketter. Placeringen ved Huskvarna-åen var logisk, da åens vandkraft dermed kunne udnyttes og således fungerede som vandkraftværk. I de mere end 300 år, Husqvarna-fabrikken har eksisteret, er utallige produkter blevet produceret her – lige fra brændekomfurer til moderne køkkenmaskiner, symaskiner, cykler, motorcykler m.m. I 1956 blev den første motorplæneklipper lanceret, den blev efterfulgt af motorsaven i 1959, og det er inden for dette område, Husqvarna i dag gør sig gældende.

Husqvarna er i dag en af verdens førende producenter af skov- og haveprodukter med kvalitet og ydeevne som højeste prioritet. Forretningsideen er at udvikle, fremstille og markedsføre motordrevne produkter til skov- og havebrug samt til bygge- og anlægsindustrien.

Husqvarnas mål er også at være på forkant hvad gælder ergonomi, brugervenlighed, sikkerhed og miljøtænkning, og vi har udviklet mange forskellige finesser for at forbedre produkterne på disse områder.

Vi er overbeviste om, at du vil komme til at sætte pris på vores produkts kvalitet og ydeevne i lang tid fremover. Når du køber vores produkter, får du samtidig adgang til professionel hjælp med reparationer og service, hvis der skulle ske noget. Hvis du ikke har købt maskinen hos en af vores autoriserede forhandlere, skal du spørge efter nærmeste serviceværksted.

Vi håber, at du vil blive tilfreds med din maskine, og at den bliver din ledsager i lang tid fremover. Husk, at denne brugsanvisning er et værdifuldt dokument. Ved at følge brugsanvisningen (brug, service, vedligeholdelse osv.) kan du forlænge maskinens levetid væsentligt og endda forøge dens værdi ved videresalg. Hvis du sælger din maskine, skal du huske at overdrage brugsanvisningen til den nye ejer.

Tak, fordi du har valgt at bruge et produkt fra Husqvarna!

Husqvarna AB forsøger hele tiden at videreudvikle sine produkter og forbeholder sig derfor ret til ændringer af bl.a. form og udseende uden forudgående varsel.

Hvad er hvad på motorsaven? (1)

- 1 Cylinderdæksel
- 2 Brændstofpumpe
- 3 Startbeskrivelse
- 4 Kombineret start- og stopkontakt
- 5 Bageste håndtag
- 6 Informations- og advarselsmærkat
- 7 Brændstofftank
- 8 Justeringssskruer karburator
- 9 Starthåndtag
- 10 Startaggregat
- 11 Kædeolietank
- 12 Produkt- og serienummerskilt
- 13 Faldretningsmærke
- 14 Forreste håndtag
- 15 Kastbeskyttelse
- 16 Lyddæmper
- 17 Savkæde
- 18 Næsehjul
- 19 Savsværd
- 20 Barkstøtte
- 21 Kædefanger
- 22 Kædestrammerskrue (435 II, 440 II)
- 23 Koblingsdæksel (435 II, 440 II)
- 24 Højrehåndsbeskyttelse
- 25 Gasregulering
- 26 Gasreguleringslås
- 27 Koblingsdæksel (435e II, 440e II)
- 28 Kædestramningshjul
- 29 Greb
- 30 Brugsanvisning
- 31 Kombinøgle
- 32 Sværdbeskyttelse

GENERELLE SIKKERHEDSINSTRUKTIONER

Forberedelser, inden en ny motorsav tages i brug

- Læs brugsanvisningen omhyggeligt igennem.
- (1) - (117) henviser til illustrationer på side 2-6.
- Kontrollér skæreudstyrets montering og justering. Se instruktionerne i afsnittet Montering.
- Tank motorsaven op, og begynd. Se anvisningerne i afsnittene Brændstofhåndtering og Start og stop.
- Brug ikke motorsaven, før en tilstrækkelig mængde kædesmørelie har nået savkæden. Se instruktionerne i afsnittet Skæreudstyr.
- Langvarig eksponering for støj kan medføre permanente høreskader. Brug derfor altid godkendt høreværn.



ADVARSEL! Maskinens oprindelige udformning må under ingen omstændigheder ændres uden producentens samtykke. Brug altid originaltilbehør. Ikke-autoriserede ændringer og/eller ikke-godkendt tilbehør kan medføre alvorlige skader eller døden for brugeren eller andre.



ADVARSEL! En motorsav kan være et farligt redskab, som kan forårsage alvorlige, ja endog livsfarlige skader, hvis den bruges forkert eller uforsigtigt. Det er meget vigtigt, at du læser og forstår indholdet i denne brugsanvisning.



ADVARSEL! Lyddæmperen indeholder kemikalier, som kan være kræftfremkaldende. Undgå kontakt med disse elementer, hvis lyddæmperen bliver beskadiget.



ADVARSEL! Langvarig indånding af motorens udstødningsgas, kædeolietåge og støv fra savspåner kan være sundhedsskadelig.



ADVARSEL! Denne maskine skaber et elektromagnetisk felt under brug. Dette felt kan i nogle tilfælde påvirke aktive eller passive medicinske implantater. For at reducere risikoen for alvorlige eller dødbringende skader anbefaler vi, at personer med medicinske implantater kontakter deres læge og producenten af det medicinske implantat, før de tager maskinen i brug.



ADVARSEL! Tillad aldrig børn at anvende eller være i nærheden af maskinen. Da maskinen er forsynet med en stopkontakt med returfunktion og kan startes med lav hastighed og lille kraft på starthåndtaget, kan selv små børn under visse omstændigheder tilføre den kraft, der er nødvendig for at starte maskinen. Dette kan indebære risiko for alvorlige personskader. Tag derfor tændhætten af, når maskinen ikke er under opsyn.

Vigtigt

VIGTIGT!

Denne motorsav til skovbrug er beregnet til skovarbejde som f.eks. fældning, afgrening og savning.

National lovgivning kan lægge begrænsninger på brugen af maskinen.

Brug kun det sværd/den savkædekombination, der er anbefalet i afsnittet Tekniske data.

Brug aldrig maskinen, hvis du er træt, hvis du har drukket alkohol, eller hvis du tager medicin, som kan påvirke dit syn, dit overblik eller din kropskontrol.

Brug personligt beskyttelsesudstyr. Se instruktionerne i afsnittet "Personligt beskyttelsesudstyr".

Foretag aldrig ændringer på maskinen, så den ikke længere svarer til originaludførelsen, og undlad at bruge maskinen, hvis den ser ud til at være blevet ændret af andre.

Brug aldrig en maskine, som er behæftet med fejl. Følg sikkerhedskontrol-, vedligeholdelses- og serviceinstruktionerne i denne brugsanvisning. Visse vedligeholdelses- og serviceforanstaltninger må kun udføres af erfarne og kvalificerede specialister. Se anvisningerne under overskriften Vedligeholdelse.

Brug aldrig andet tilbehør end det, som er anbefalet i denne brugsanvisning. Se instruktionerne i afsnittene Skæreudstyr og Tekniske data.

BEMÆRK! Anvend altid sikkerhedsbriller og ansigtssvævn for at reducere risikoen for skader fra genstande, der slynges ud. En motorsav kan slynge genstande såsom savspåner, små træstykker etc. ud med stor kraft. Dette kan medføre alvorlig skade, især på øjnene.



ADVARSEL! At køre en motor i et lukket eller dårligt udluftet rum kan medføre døden som følge af kvælning eller kulilteforgiftning.



ADVARSEL! Forkert skæreudstyr eller et forkert sværd/en forkert kædekombination øger risikoen for kast! Brug kun det sværd/den savkædekombination, der er anbefalet, og følg filningsanvisningerne. Se anvisningerne i afsnittet Tekniske data.

GENERELLE SIKKERHEDSINSTRUKTIONER

Brug altid din sunde fornuft (2)

Det er ikke muligt at tage højde for alle de situationer, du kan tænkes at komme ud for, når du bruger en motorsav. Udvis derfor altid forsigtighed, og brug din sunde fornuft. Undgå situationer, som du ikke synes, du er tilstrækkeligt kvalificeret til. Hvis du stadig føler dig usikker med hensyn til fremgangsmåden, efter at du har læst disse anvisninger, skal du kontakte en ekspert, før du fortsætter. Du er velkommen til at kontakte din forhandler eller os, hvis du har spørgsmål til brugen af motorsaven. Vi står altid til disposition og giver gerne gode råd, som kan hjælpe dig med at anvende motorsaven på en bedre og mere sikker måde. Du kan også tage et kursus i brug af motorsav. Din forhandler, skovbrugsskolen eller det lokale bibliotek kan give dig yderligere oplysninger om tilgængelige kurser og kursusmaterialer. Der udføres løbende arbejde med henblik på at forbedre design og teknik - forbedringer, som øger sikkerheden og effektiviteten. Besøg din forhandler jævnligt for at se de nyheder, som du kan få glæde af.

Personligt beskyttelsesudstyr



ADVARSEL! De fleste ulykker med motorsave sker, når savkæden rammer brugeren. Ved enhver anvendelse af maskinen skal der bruges godkendt personligt beskyttelsesudstyr. Det personlige beskyttelsesudstyr udelukker ikke risikoen for skader, men det mindsker effekten af en skade ved en ulykke. Bed din forhandler om hjælp ved valg af udstyr.

- Godkendt beskyttelseshjelm
- Høreværn
- Beskyttelsesbriller eller ansigtsværn
- Handsker med gennemsavningsbeskyttelse
- Bukser med gennemsavningsbeskyttelse
- Støvler med gennemsavningsbeskyttelse, stålnæser og skridsikre såler
- Forbindingskasse skal altid findes i nærheden.
- Brandslukker og spade

Beklædningen bør i øvrigt være tætsiddende, dog uden at hæmme din bevægelsesfrihed.

VIGTIGT! Der kan komme gnister ud af lyd-dæmperen, sværdet, kæden og andre kilder. Hav altid værktøj til brandslukning inden for rækkevidde, når du bruger saven. På den måde er du med til at forebygge skovbrand.

Maskinens sikkerhedsudstyr

I dette afsnit kan du læse om maskinens sikkerhedsdele og deres funktion. Du kan finde oplysninger om kontrol og vedligeholdelse i afsnittet Kontrol, vedligeholdelse og service af motorsavens sikkerhedsudstyr. Se anvisningerne i afsnittet Hvad er hvad? for at se, hvor disse dele sidder på din maskine.

Maskinens levetid kan forkortes, og risikoen for ulykker kan øges, hvis maskinen ikke vedligeholdes korrekt, og hvis service og/eller reparation ikke udføres fagligt korrekt. Hvis du har brug for yderligere oplysninger, kan du kontakte nærmeste serviceværksted.



ADVARSEL! Brug aldrig en maskine med defekt sikkerhedsudstyr. Sikkerhedsudstyret skal kontrolleres og vedligeholdes. Se anvisningerne i afsnittet Kontrol, vedligeholdelse og service af motorsavens sikkerhedsudstyr. Hvis maskinen ikke klarer alle kontroller, skal du kontakte serviceværkstedet for at få den repareret.

Kædebremse med kastbeskyttelse

Motorsaven er forsynet med en kædebremse, der er konstrueret til at standse savkæden i tilfælde af kast. En kædebremse reducerer risikoen for ulykker, men det er kun dig som bruger, der kan forhindre dem. (3)

Vær forsigtig ved anvendelse, og sørg for, at sværdets kastrisikoområde aldrig kommer i kontakt med et objekt. (4)

- Kædebremsen (A) aktiveres enten manuelt (med venstre hånd) eller ved hjælp af træghedsfunktionen. (5)
- Kastbeskyttelsen (B) aktiveres, når den føres fremad. (5)
- Denne bevægelse aktiverer en fjederspændt mekanisme, som spænder bremsebåndet (C) rundt om motorens kædedrivesystem (D) (koblingstromlen). (6)
- Kastbeskyttelsen er ikke kun konstrueret med henblik på en aktivering af kædebremsen. En anden meget vigtig funktion er, at den reducerer risikoen for, at venstre hånd skal ramme savkæden, hvis man mister grebet om det forreste håndtag.
- Kædebremsen skal være aktiveret, når motorsaven startes, så kæden ikke roterer. (55)
- Brug kædebremsen som 'parkeringsbremse', når du starter saven eller flytter den over kortere afstand, så der ikke opstår ulykker, hvor brugeren og omgivelserne kan komme i kontakt med savkæden, mens den kører. Efterlad ikke motorsaven i tændt tilstand med kædebremsen aktiveret i længere tid. Motorsaven kan blive meget varm.
- Kædebremsen frikobles ved, at kastbeskyttelsen mærket "PULL BACK TO RESET" føres bagud mod det forreste håndtag.
- Kast kan være lynhurtige og meget voldsomme. De fleste kast er små og resulterer ikke altid i, at kædebremsen aktiveres. Ved sådanne kast gælder det om at holde motorsaven i et fast greb og ikke slippe det.
- Om kædebremsen aktiveres manuelt eller via træghedsfunktionen, bestemmes af, hvor voldsomt kastet er, samt hvor motorsaven befinder sig i forhold til det objekt, sværdets kastrisikoområde er kommet i kontakt med.

GENERELLE SIKKERHEDSINSTRUKTIONER

Ved voldsomme kast og i tilfælde, hvor sværdet kasterisikoområde befinder sig så langt væk fra brugeren som muligt, aktiveres kædebremsen af via kædebremSENS modvægt (træghed) i kastretningen. (7)

Ved mindre voldsomme kast eller i arbejdsituationer, hvor kasterisikoområdet befinder sig nærmere brugeren, aktiveres kædebremsen manuelt via venstre hånd.

- Når motorsaven er i fældstilling, er venstre hånd anbragt, så du ikke kan aktivere kædebremsen manuelt. Når du bruger dette greb, dvs. når venstre hånd er placeret, så den ikke kan påvirke kastebeskyttelsens bevægelse, kan kædebremsen kun aktiveres via træghedsfunktionen. (8)

Vil min hånd altid aktivere kædebremsen i tilfælde af kast?

Nej. Der kræves en vis kraft for at føre kastbeskyttelsen fremad. Hvis din hånd kun lige rører ved kastbeskyttelsen eller glider hen over den, er det muligvis ikke tilstrækkeligt til at udløse kædebremsen. Du skal altid holde godt fast om motorsavens håndtag, når du arbejder. Hvis du gør det og oplever et kast, slipper du muligvis aldrig hånden om det forreste håndtag og aktiverer dermed ikke kædebremsen, eller også aktiveres kædebremsen først, når saven har kørt rundt et stykke tid. I en sådan situation kan det forekomme, at kædebremsen ikke kan stoppe kæden, før den rammer dig.

Der forekommer også visse arbejdsstillinger, som gør, at din hånd ikke kan nå kastbeskyttelsen og dermed aktivere kædebremsen, for eksempel når saven holdes i fældstilling.

Vil træghedsaktiveringen af kædebremsen altid forekomme, hvis der indtræder et kast?

Nej. For det første skal bremsen fungere. Det er let at teste bremsen; se anvisningerne under afsnittet Kontrol, vedligeholdelse og service af motorsavens sikkerhedsudstyr. Vi anbefaler, at du gør dette, før du begynder hver arbejdsopgave. For det andet skal kastet være tilstrækkeligt kraftigt til at aktivere kædebremsen. Hvis kædebremsen er for følsom, aktiveres den konstant, hvilket besværer arbejdet.

Beskytter kædebremsen mig konstant mod skader i tilfælde af kast?

Nej. For det første skal bremsen fungere for at give den tilsigtede beskyttelse. For det andet skal bremsen aktiveres som beskrevet ovenfor, så savkæden standses i tilfælde af kast. For det tredje kan kædebremsen aktiveres, men hvis sværdet befinder sig for tæt på dig, kan det forekomme, at bremsen ikke tager farten af kæden og standser den, før motorsaven rammer dig.

Det er kun dig, der kan eliminere kast og tilsvarende risici ved at anvende en korrekt arbejdsteknik.

Gasreguleringslås

Gasreguleringslåsen er beregnet til at forhindre ufrivillig aktivering af gasreguleringen. Når du trykker låsen (A) ned i håndtaget (= når du holder om håndtaget), frigøres gasreguleringen (B). Når du slipper grebet om håndtaget, stilles både gasreguleringen og gasreguleringslåsen tilbage til deres udgangspositioner. I udgangspositionen låses gasreguleringen automatisk i tomgang. (9)

Kædefanger

Kædefangeren er konstrueret til at opfange en afhoppet eller knækket kæde. Disse hændelser undgås i de fleste tilfælde ved en korrekt kædespænding (se instruktionerne i afsnittet Montering) samt en korrekt vedligeholdelse og service af sværd og kæde (se instruktionerne i afsnittet Generelle arbejdsinstruktioner). (10)

Højrehåndsbeskyttelse

Højrehåndsbeskyttelsen skal ud over at beskytte hånden ved et kædeafhopp, eller når en kæde knækker, sørge for at grene eller kviste ikke påvirker grebet om det bageste håndtag. (11)

Vibrationsdæmpningssystem

Din maskine er udstyret med et vibrationsdæmpningssystem, som er konstrueret med henblik på at give en så vibrationsfri og behagelig brug som muligt.

Maskinens vibrationsdæmpningssystem reducerer overførslen af vibrationer mellem motorenheden/skæreudstyret og maskinens håndtagsenhed. Motorsavens krop, inklusive skæreudstyr, hænger i håndtagsenheden via de såkaldte vibrationsdæmpningselementer.

Savning i en hård træsort (de fleste løvtræer) giver flere vibrationer end savning i en blød træsort (de fleste nåletræer). Savning med sløvt eller forkert skæreudstyr (forkert type eller forkert file) øger vibrationsniveauet.



ADVARSEL! Overeksponering af vibrationer kan medføre kredsløbsforstyrrelser eller skader på nervesystemet hos personer med kredsløbsforstyrrelser. Hvis du oplever fysiske symptomer, som kan relateres til overeksponering af vibrationer, skal du straks søge læge. Som eksempler på sådanne symptomer kan nævnes følelsesløshed, mangel på følesans, 'kildren', 'stikken', smerte, manglende eller reduceret styrke, forandringer i hudens farve eller i dens overflade. Disse symptomer opleves almindeligvis i fingre, hænder eller håndled. Symptomerne kan forværres i koldt vejr.

Stopkontakt

Stopkontakten skal bruges til at slukke for motoren. (12)

GENERELLE SIKKERHEDSINSTRUKTIONER

Lyddæmper

Lyddæmperen er konstrueret med henblik på at give et så lavt lydniveau som muligt samt lede motorens udstødningsgasser væk fra brugeren.



ADVARSEL! Motorens udstødningsgasser er varme og kan indeholde gnister, som kan forårsage brand. Start derfor aldrig maskinen indendørs eller i nærheden af brandfarligt materiale!

I områder med varmt og tørt klima kan risikoen for antændelse af brandbart materiale være overhængende. Disse områder kan være reguleret ved lov med krav om, at lyddæmperen skal være forsynet med godkendt gnistfangernet. (13)

Ved montering af nettet skal du være opmærksom på, at nettet er skudt ind i korrekt position. Anvend eventuelt kombinationsnøglen til at skyde nettet ind eller løsne det.

BEMÆRK! Lyddæmperen bliver meget varm både under og efter brug. Dette gælder også ved kørsel i tomgang. Vær opmærksom på brandfaren, specielt ved håndtering i nærheden af brandfarlige emner og/eller gasser.



ADVARSEL! Brug aldrig en motorsav uden lyddæmper eller med defekt lyddæmper. En defekt lyddæmper kan føre til lydniveauet og brandrisikoen markant. Hav altid brandslukningsudstyr inden for rækkevidde. Brug aldrig en motorsav uden gnistfangernet eller med defekt gnistfangernet, hvis gnistfangernet er påbudt i dit arbejdsområde.

Skæreudstyr

Dette afsnit behandler, hvordan du med korrekt vedligeholdelse og ved brug af korrekt type skæreudstyr:

- Reducerer maskinens kasttilbøjelighed.
- Reducerer forekomsten af savkædeafhop samt savkædebrud.
- Bevarer en optimal skarphed.
- Øger skæreudstyrets levetid.
- Forebygger forøgelse af vibrationsniveauet.

Grundregler

- **Brug kun det skæreudstyr vi anbefaler!** Se anvisningerne i afsnittet Tekniske data.
- **Hold savkædens skæretænder godt og korrekt filede!** Følg vores instruktioner, og brug anbefalet fileholder. En forkert filet eller beskadiget savkæde øger risikoen for ulykker.
- **Hold korrekt rytterhøjde!** Følg vores instruktioner, og brug det anbefalede ryttermål. Hvis ryttermålet er for stort, øges risikoen for kast!

- **Hold kæden stram!** En utilstrækkeligt strammet kæde øger risikoen for kædeafhop og øger slitage på sværd, savkæde og savkædedrivhjul.
- **Hold skæreudstyret velsmurt og korrekt vedligeholdt!** En utilstrækkelig smøring af savkæden øger risikoen for savkædebrud og øger slitage på sværd, savkæde og savkædedrivhjul.

Kastreducerende skæreudstyr



ADVARSEL! Forkert sværd/en forkert kædekombination øger risikoen for kast! Brug kun det sværd/den savkædekombination, der er anbefalet, og følg filingsanvisningerne. Se anvisningerne i afsnittet Tekniske data.

Kast kan kun undgås ved, at du som bruger passer på, at sværdet kastrisikoområde aldrig kommer i kontakt med et objekt.

Ved at bruge skæreudstyr med en "indbygget" kastreduktion og ved at file og vedligeholde savkæden korrekt, kan effekten af et kast reduceres.

Sværd

Jo mindre næseradius, desto mindre kastrisiko.

Savkæde

En savkæde er opbygget af et antal forskellige led, som fås både i standard og i kastreduceret udførelse.

VIGTIGT! Ingen savkæder eliminerer risikoen for kast.



ADVARSEL! Enhver berøring af en roterende savkæde kan forårsage meget alvorlige skader.

Nogle udtryk, som specificerer sværd og savkæde

For at bevare alle sikkerhedsdele på skæreudstyret bør du udskifte slidte og defekte sværd- og kædekombinationer med et sværd og en kæde, som Husqvarna anbefaler. Se anvisningerne under afsnittet Tekniske data for at få yderligere oplysninger om de sværd- og kædekombinationer, vi anbefaler.

Sværd

- Længde (tommer/cm)
- Antal tænder i næsehjulet (T).
- Savkædedeling (=pitch) (tommer). Sværdets og motorsavens kædedrivhjul skal være tilpasset afstanden mellem drivledene. (14)
- Antal drivled (stk.). Hver sværdlængde giver i kombination med savkædedelingen og antallet af tænder i næsehjulet et bestemt antal drivled.
- Sværdsporsbredde (tommer/mm). Sværdsporets bredde skal være tilpasset savkædens drivledsbredde.
- Savkædeoliehul og hul til kædestrammertap. Sværdet skal være tilpasset motorsavens konstruktion. (15)

GENERELLE SIKKERHEDSINSTRUKTIONER

Savkæde

- Savkædedeling (=pitch) (tommer) (14)
- Drivledsbredde (mm/tommer) (16)
- Antal drivled (stk.) (17)

Filning og justering af ryttermål på savkæde

Generelt angående filning af en skæretand

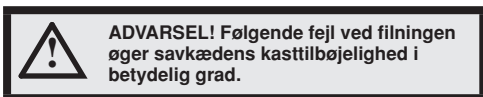
- Sav aldrig med en sløv savkæde. Tegn på en sløv savkæde er, at du er nødt til at trykke skæreudstyret ned gennem træet, og at træspånerne er meget små. En meget sløv savkæde giver slet ingen træspåner. Det eneste resultat bliver savsmuld.
- En skarp savkæde æder sig selv gennem træet og giver træspåner, som er store og lange.
- Den savende del af en savkæde kaldes et skæreled og består af en skæretand (A) og en rytter (B). Højdeafstanden mellem disse bestemmer skæredybden. (18)

Ved filning af en skæretand er der fire mål at tage hensyn til

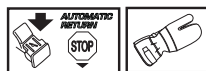
- 1 Filevinkel (19)
- 2 Støttevinkel (20)
- 3 Filestilling (21)
- 4 Rundfildiameter

Det er meget svært at file en savkæde korrekt uden hjælpemidler. Derfor anbefaler vi, at du bruger vores fileholder. Den sikrer, at savkæden files, så den giver optimal kastreduktion og skærekapacitet. (22)

Se anvisningerne i afsnittet Tekniske data for at få oplysninger om, hvilke data der gælder ved filning af din motorsavs savkæde.



Filning af skæretand



Til filning af skæretand kræves en rundfil og en fileholder. Se i afsnittet Tekniske data for at få oplysninger om, hvilken rundfildiameter og hvilken fileholder der anbefales til din motorsavs savkæde.

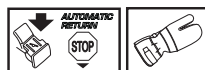
- Kontrollér, at savkæden er stram. En utilstrækkelig stramning medfører, at savkæden bliver ustabil i sideled, hvilket gør en korrekt filning svær.
- Fil altid fra skæretandens inderside og udad. Tryk ikke hårdt på filen på returtrækket. Fil altid tænderne på den ene side først, og vend derefter motorsaven, og fil den anden sides tænder.
- Fil på en sådan måde, at alle tænder bliver lige lange. Når der kun er 4 mm (5/32") tilbage af skæretandens længde, er savkæden slidt ned og skal smides væk. (23)

Generelt angående justering af ryttermål

- Ved filning af skæretanden mindskes rytterhøjden (=skæredybden). For at bevare en maksimal skærekapacitet skal ryttermålet sænkes til anbefalet niveau. Se anvisningerne i afsnittet Tekniske data for at få oplysninger om, hvor stort ryttermålet skal være på din motorsavs savkæde. (24)

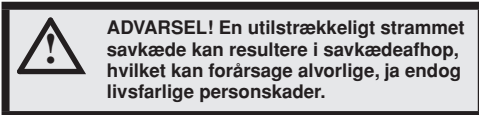


Justering af ryttermål



- Når ryttermålet justeres, skal skæretænderne være nyfilede. Vi anbefaler, at ryttermålet justeres efter hver tredje savkædefilning. BEMÆRK! Denne anbefaling forudsætter, at skæretændernes længde ikke er blevet fileet unormalt ned.
- Ved justering af rytterhøjden kræves en fladfil og et ryttermål. Vi anbefaler, at du anvender vores slibeskala, så du er sikker på at få de korrekte ryttermål og den rigtige vinkel på rytteren.
- Læg slibeskalaen over savkæden. Du kan finde yderligere oplysninger om brug af slibeskalaen på pakken. Læg fladfilen over den overskydende del af rytteren, og fil overskuddet væk. Rytterhøjden er korrekt, når der ikke føles nogen modstand, når filen trækkes over slibeskalaen. (25)

Stramning af savkæden



Jo mere du bruger en savkæde, desto længere bliver den. Det er vigtigt, at man justerer skæreudstyret i takt med denne forandring.

Savkædestramningen skal kontrolleres efter hver tankning. BEMÆRK! En ny savkæde kræver en indkøringsperiode, hvor man skal kontrollere savkædestramningen oftere.

Generelt gælder det, at man skal stramme savkæden så meget som muligt, men ikke mere end, at den let kan trækkes rundt med hånden. (26)

GENERELLE SIKKERHEDSINSTRUKTIONER

435 II, 440 II



- Løs den sværdmøtrik, som låser koblingsdækslet/kædebremsen. Brug kombinøglen. Spænd derefter sværdmøtrikken med håndkraft, så hårdt du kan. (27)
- Løft sværdspidsen op, og stram savkæden ved at spænde savkædestrammerskruen ved hjælp af kombinøglen. Stram savkæden, indtil den ikke længere hænger slapt ned på sværdets underside. (28)
- Brug kombinøglen, og spænd sværdmøtrikken, samtidig med at du holder sværdspidsen op. Kontrollér, at savkæden let kan trækkes rundt ved håndkraft, og at den ikke hænger ned på sværdets underside. (29)

På vores motorsavsmodeller er savkædestrammerskruen placeret forskellige steder. Se anvisningerne i afsnittet Hvad er hvad? for at få oplysninger om, hvor den sidder på din model.

435e II, 440e II



- Udløs grebet ved at folde det ud. (30)
- Drej grebet mod uret for at løsne afskærmningen over sværdet. (31)
- Juster kædespændingen ved at dreje hjulet ned (+) for strammere spænding og op (-) for løsere spænding. (32)
- Stram sværdkoblingen ved at dreje grebet med uret. (33)
- Fold grebet tilbage for at låse stramningen. (34)

Smøring af skæreudstyr



ADVARSEL! Utilstrækkelig smøring af skæreudstyret kan resultere i savkædebrud, hvilket kan medføre alvorlige, ja endog livsfarlige personskader.

Savkædeolie

En savkædeolie skal have en god vedhæftning til savkæden samt en god flydeevne, uanset om det er varm sommer eller kold vinter.

Som motorsavsproducent har vi udviklet en optimal savkædeolie, som i kraft af dens vegetabiliske basis desuden er biologisk nedbrydelig. Vi anbefaler, at du bruger vores olie for at opnå en maksimal levetid både for savkæden og for miljøet. Hvis du ikke kan få fat i vores savkædeolie, anbefales almindelig savkædeolie.

Brug aldrig spildolie! Den er skadelig både for dig, maskinen og miljøet.

VIGTIGT! Hvis du anvender vegetabilisk savkædeolie, skal du afmontere og rengøre sværdbeskyttelsen og savkæden inden langtidsopbevaring. I modsat fald er der risiko for, at savkædeolien oxiderer, så savkæden bliver sløv, og sværdets næsehjul går trægt.

Påfyldning af savkædeolie

- Alle vores motorsavsmodeller har automatisk savkædesmøring. En del af modellerne kan også fås med justerbar olietilførsel.
- Savkædeolietanken og brændstoftanken er dimensionerede, så brændstoffet slipper op for savkædeolien.

Denne sikkerhedsfunktion forudsætter dog, at man bruger korrekt savkædeolie (en for tynd og letflydende olie tømmer savkædeolietanken, inden brændstoffet slipper op), at man følger vores anbefalede karburatorindstilling (en for 'sparsom' indstilling bevirker, at brændstoffet varer længere end savkædeolien), samt at man følger vores anbefalinger vedrørende skæreudstyr (et for langt sværd kræver mere kædeolie).

Kontrol af savkædesmøring

- Kontrollér savkædesmøringen ved hver tankning. Ret sværdspidsen mod et fast, lyst objekt i en afstand af ca. 20 cm (8 tommer). Efter 1 minuts kørsel på 3/4 gas skal man kunne se et tydeligt oliespor på det lyse objekt.

Hvis savkædesmøringen ikke fungerer:

- Kontrollér, at sværdets savkædeoliekanal er åben. Rens den om nødvendigt. (35)
- Kontrollér, at sværdsporet er rent. Rens det om nødvendigt. (36)
- Kontrollér, at sværdets næsehjul går let, og at næsehjulets smørehul er åbent. Rens og smør om nødvendigt. (37)

Hvis savkædesmøringen ikke fungerer, efter at ovennævnte kontroller og tilhørende foranstaltninger er gennemført, skal du kontakte dit serviceværksted.

Kædedrivhjul



Koblingstromlen er forsynet med et af følgende kædedrivhjul:

- A Spur-drivhjul (kædedrivhjulet er fastloddet på tromlen)
- B Rim-drivhjul (udskifteligt) (38)

Kontrollér regelmæssigt slitageniveauet for kædedrivhjulet. Udskift det, hvis det er unormalt slidt. Kædedrivhjulet skal udskiftes ved hver savkædeudskiftning.

GENERELLE SIKKERHEDSINSTRUKTIONER

Smøring af nålelejer



Begge typer af kædedrivhjul er forsynet med et nåleleje ved den udgående aksel, som skal smøres regelmæssigt (1 gang pr. uge). BEMÆRK! Brug leje-fedt af god kvalitet eller motorolie.

Se instruktionerne i afsnittet "Vedligeholdelse, Smøring af nålelejer".

Slitagekontrol af skæreudstyr



Kontrollér dagligt savkæden for:

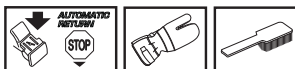
- Synlige revner i nitter og led.
- Om savkæden er stiv.
- Om nitter og led er unormalt slidte.

Kassér savkæden, hvis den viser et eller flere af ovenstående tegn.

Vi anbefaler, at du bruger en ny savkæde til at måle, hvor slidt din savkæde er.

Fil på en sådan måde, at alle tænder bliver lige lange. Når der kun er 4 mm (5/32") tilbage af skæretandens længde, er savkæden slidt ned og skal smides væk. **(23)**

Sværd



Kontrollér regelmæssigt:

- Hvis der dannes ujævnheder på sværdbommens ydre sider. File væk om nødvendigt.
- Hvis sværdsporet er unormalt slidt. Sværdet udskiftes om nødvendigt.
- Hvis sværdnæsen er unormalt eller ujævnt slidt. Hvis der er dannet en "fordybning", hvor sværdnæsens radius slutter på sværdets underside, har du kørt med utilstrækkeligt opstrammet savkæde.
- For at opnå en maksimal levetid bør sværdet vendes regelmæssigt.



ADVARSEL! De fleste ulykker med motorsave sker, når savkæden rammer brugeren.

Brug personligt beskyttelsesudstyr. Se instruktionerne i afsnittet "Personligt beskyttelsesudstyr".

Undgå at udføre opgaver, som du ikke føler dig tilstrækkeligt kvalificeret til. Se instruktionerne i afsnittene Personligt beskyttelsesudstyr, Kastforebyggende foranstaltninger, Skæreudstyr og Generelle arbejdsinstruktioner.

Undgå situationer, hvor der foreligger kastrisiko. Se instruktionerne i afsnittet Maskinens sikkerhedsudstyr.

Brug anbefalet skæreudstyr, og kontrollér dets tilstand. Se instruktionerne i afsnittet Generelle arbejdsinstruktioner.

Kontrollér funktionen af motorsavens sikkerhedsdetaljer. Se instruktionerne i afsnittet Generelle arbejdsinstruktioner og Generelle sikkerhedsinstruktioner.

MONTERING

Montering af sværd og kæde



ADVARSEL! Ved al håndtering af kæden skal der bruges handsker.

435 II, 440 II

- **Kontrollér, at kædebremsen ikke er i udløst stilling ved at føre kædebremsens kastbeskyttelse mod den forreste håndtagsbøjle. (39)**
- Skru sværdmøtrikken af, og fjern koblingsdækslet (kædebremsen). Fjern transportbeskyttelsen (A). (40)
- Montér sværdet over sværdboltene. Placér sværdet i bageste stilling. Placér kæden over kædedrivhjulet og i sværdsporet. Begynd på sværdets overside. (41)
- Kontrollér, at æggen på skæreleddene er peget fremad på sværdets overside.
- Monter koblingskappen og sørg for, at kædespændetappen passer i sværdets udtag. Kontrollér, at kædens drivled passer på kædedrivhjulet, og at kæden ligger rigtigt i sværdsporet. Spænd sværdmøtrikken med fingrene.
- Spænd kæden ved at bruge kombiøglen til at skrue kædestrammerskruen med uret. Kæden skal strammes til, så den ikke hænger slapt ned på sværdets underside. (42)
- Kæden er korrekt spændt, når den ikke hænger løst på sværdets underside og stadig kan trækkes rundt ved håndkraft. Spænd sværdmøtrikken fast med kombiøglen, samtidig med at sværdspidsen holdes op. (43)
- På en ny kæde skal kædestramningen kontrolleres ofte, indtil kæden er kørt til. Kontrollér kædestramningen regelmæssigt. Korrekt kæde betyder god skærekapacitet og lang levetid. (44)

435e II, 440e II

- **Kontrollér, at kædebremsen ikke er i udløst stilling ved at føre kædebremsens kastbeskyttelse mod den forreste håndtagsbøjle. (45)**
- Løsn kædespænderhjulet, og fjern koblingsdækslet (kædebremsen). Fjern transportbeskytteren. (A) (46)
- Montér sværdet over sværdboltene. Placér sværdet i dets bageste stilling. Placér kæden over kædedrivhjulet og i sværdsporet. Begynd på sværdets overside. (41)
- Kontrollér, at æggen på skæreleddene er peget fremad på sværdets overside.
- Monter koblingskappen og sørg for, at kædespændetappen passer i sværdets udtag. Kontrollér, at kædens drivled passer på kædedrivhjulet, og at kæden ligger rigtigt i sværdsporet.

- Stram kæden ved at dreje hjulet ned (+). Kæden skal strammes, indtil den ikke svinger ud fra undersiden af sværdet. (32)
- Kæden er korrekt strammet, når den ikke svinger ud fra undersiden af sværdet, men stadig kan drejes frit manuelt. Hold sværdspidsen opad, og stram sværdkoblingen ved at dreje grebet med uret. (33)
- På en ny kæde skal kædestramningen kontrolleres ofte, indtil kæden er kørt til. Kontrollér kædestramningen regelmæssigt. Korrekt kæde betyder god skærekapacitet og lang levetid. (44)

Montering af barkstøtte

Kontakt nærmeste serviceværksted for at få monteret en barkstøtte. (47)

BRÆNDSTOFHÅNDTERING

Drivmiddel

Bemærk! Maskinen er forsynet med en totaktsmotor og skal altid anvendes med en blanding af benzin og totaktsolie. Det er vigtigt, at du nøje afmåler den oliemængde, der skal blandes, for at sikre et korrekt blandingsforhold. Ved blanding af små brændstofmængder påvirker selv små unøjagtigheder i oliemængden blandingsforholdet kraftigt.



ADVARSEL! Sørg for god luftventilation ved al brændstofhåndtering.

Benzin



- Brug blyfri eller blyholdig kvalitetsbenzin.
- Det lavest anbefalede oktantal er oktan 90 (RON). Hvis motoren køres på benzin med et lavere oktantal end oktan 90, kan der forekomme bankning. Dette medfører en højere motortemperatur og en øget lejebelastning, som kan forårsage alvorlige motorhaverier.
- Ved arbejde med kontinuerligt høje omdrejningstal (f.eks. ved kvistning) anbefales højere oktantal.

Miljøbrændstof

HUSQVARNA anbefaler brug af miljøtilpasset benzin (såkaldt alkylet brændstof), enten Aspen forblandet totaktsbenzin eller miljøbenzin til firetaktsmotorer blandet med totaktsolie i henhold til nedenstående. Bemærk, at du kan anvende karburatorindstillingen i forbindelse med udskiftning af brændstof (se anvisningerne i afsnittet Karburator).

Ethanolbrændstof

HUSQVARNA anbefaler kommercielt tilgængeligt brændstof med et ethanolindhold på maks. 10 %.

Indkøring

Kørsel ved alt for høj hastighed i længere perioder ad gangen skal undgås i løbet af de første 10 driftstimer.

Totaktsolie

- For at opnå det bedste resultat og en optimal funktion skal HUSQVARNAS totaktsolie, som er specielt udviklet til vores luftafkølede totaktsmotorer, anvendes.
- Brug aldrig totaktsolie beregnet til vandafkølede udenbordsmotorer, såkaldt outboardolie (kaldes TCW).
- Brug aldrig olie beregnet til firetaktsmotorer.
- En lav olie kvalitet eller en for fed olie/brændstofblanding kan forværre katalysatorens funktion og reducere dens levetid.

Blandingsforhold

1:50 (2 %) med HUSQVARNA totaktsolie.

1:33 (3 %) med andre olier, der er beregnet til luftafkølede totaktsmotorer i klasserne JASO FB/ISO EGB.

Benzin, liter	Totaktsolie, liter	
	2% (1:50)	3% (1:33)
5	0,10	0,15
10	0,20	0,30
15	0,30	0,45
20	0,40	0,60

Blanding

- Bland altid benzin og olie i en ren beholder, der er godkendt til benzin.
- Begynd altid med at hælde halvdelen af benzinen i. Hæld derefter al olien i. Bland (ryst) brændstofblandingen. Hæld den resterende mængde benzin i.
- Bland (ryst) brændstofblandingen omhyggeligt, inden maskinens brændstofftank fyldes.
- Bland ikke brændstof til mere end maks. 1 måneds behov.
- Hvis maskinen ikke bruges i længere tid, skal brændstofftanken tømmes og rengøres.

Kædeolie

- Til smøring anbefales en speciel olie (kædesmøreolie) med god vedhæftningsevne. **(48)**
- Brug aldrig spildolie. Dette medfører skader på oliepumpen, sværdet og kæden.
- Det er vigtigt at bruge korrekt olietype i forhold til lufttemperaturen (passende viskositet).
- Lufttemperaturer under 0° C gør en del olier træg flydende. Dette kan give overbelastning af oliepumpen med skader på pumpedele til følge.
- Kontakt dit serviceværksted ved valg af kædesmøreolie.

BRÆNDSTOFHÅNDTERING

Tankning



ADVARSEL! Følgende sikkerhedsforskrifter mindsker risikoen for brand:

Ryg ikke, og anbring aldrig varme genstande i nærheden af brændstoffet.

Stands motoren, og lad den afkøle nogle minutter før tankning.

Åbn tankdækslet langsomt ved brændstoffopfyldning, så et eventuelt overtryk langsomt forsvinder.

Spænd tankdækslet omhyggeligt efter tankning.

Flyt altid maskinen væk fra tankningsstedet og -kilden, inden den startes.

Tør rent rundt om tankdækslet. Rens brændstof- og kædeolietanken regelmæssigt. Brændstoffilteret skal udskiftes mindst en gang årligt. Forureninger i tankene forårsager driftsforstyrrelser. Sørg for, at brændstoffet er godt blandet ved at ryste beholderen, inden tanken fyldes. Kædeolie- og benzintankens volumen er tilpasset efter hinanden. Fyld derfor altid kædeolie- og brændstofftanken op samtidigt. (48)



ADVARSEL! Brændstof og brændstoffdampe er meget brandfarlige. Vær forsigtig ved håndtering af brændstof og kædeolie. Tænk på brand-, eksplodings- og indåndningsrisici.

Afmontering af tankdæksel og kædeoliedæksel

- Tryk ned på det riflede område af vippehåndtaget, og løft det til lodret position. (49)
- Løsn dækslet ved at dreje det mod uret. (50)
- Fjern dækslet. (51)

Påsætning af tankdæksel og kædeoliedæksel

- Isæt dækslet med vippehåndtaget i lodret position. (52)
- Spænd dækslet forsvarligt ved at dreje det med uret. (53)
- Klap vippehåndtaget ned. (54)

VIGTIGT! Udskift altid dæksler, der er beskadigede.

Brændstofsikkerhed

- Fyld aldrig brændstof på maskinen, når motoren kører.
- Sørg for god ventilation ved tankning og blanding af brændstof (benzin og totaktolie).
- Flyt maskinen mindst 3 m væk fra tankningsstedet, inden du starter.
- Start aldrig maskinen:
 - Hvis du har spildt brændstof eller kædeolie på maskinen. Aftør alt det spildte brændstof, og lad benzinstofferne fordampe.
 - Hvis du har spildt brændstof på dig selv eller dit tøj, skift tøj. Vask de legemsdele, som har været i kontakt med brændstoffet. Brug vand og sæbe.
 - Hvis maskinen lækker brændstof. Kontrollere regelmæssigt for lækage fra tankdæksel og brændstofslinger.



ADVARSEL! Anvend aldrig en maschine med synlige skader på tændrørshætten og tændkablet. Der er risiko for gnistdannelse, der kan forårsage brand.

Transport og opbevaring

- Opbevar motorsaven og brændstoffet, så en eventuel lækage og eventuelle dampe ikke risikerer at komme i nærheden af gnister og åben ild. F.eks. elmaskiner, elmotorer, elkontakter/afbrydere, varmeapparater eller lignende.
- Ved opbevaring af brændstof skal særligt egnede og godkendte beholdere bruges.
- Ved længere tids opbevaring og transport af motorsaven skal brændstof- og savkædeolietankene tømmes. Spørg på den nærmeste benzinstation, hvad du skal gøre med overskydende brændstof og savkædeolie.
- Skæredstyrets transportbeskyttelse skal altid være monteret under transport og opbevaring af maskinen, så du ikke kommer til at røre ved den skarpe kæde ved et uheld. Også en kæde, der ikke er i bevægelse, kan forårsage alvorlige skader på brugeren eller andre personer, som kommer i kontakt med den.
- Tag tændhætten af tændrøret. Aktiver kædebremsen.
- Fastgør maskinen under transport.

Langtidsopbevaring

Tøm brændstof- og olietankene på et sted med god udluftning. Opbevar brændstoffet i godkendte dunke på en sikker måde. Monter sværdbeskyttelsen. Rengør maskinen. Se anvisningerne i afsnittet Vedligeholdelsesskema.

Sørg for, at maskinen er ordentligt rengjort, og at der er udført fuldstændig service, inden langtidsopbevaring.

START OG STOP

Start og stop



ADVARSEL! Inden start skal du være opmærksom på følgende:

Kædebremsen skal være aktiveret, når motorsaven startes, så kæden ikke roterer og forårsager skade.

Start ikke motorsaven, uden at sværd, kæde og alle dæksler er monteret korrekt. Koblingen kan i modsat fald løse sig og forårsage personskader.

Placér maskinen på et stabilt underlag. Sørg for, at du står stabilt, og at kæden ikke kan gribe fat i noget.

Sørg for, at ingen uvedkommende opholder sig inden for arbejdsområdet.

Vikl aldrig startsnoren rundt om hånden.

Start

Kædebremsen skal være aktiveret, når motorsaven startes. Aktivér bremsen ved at føre kastbeskyttelsen fremad. (55)

Kold motor

Startposition, 1: Sæt start/stop-kontakten i chok-position ved at trække den røde regulator ud og op. (56)

Brændstofpumpe (2): Tryk flere gange på brændstofpumpens gummiblære, indtil blæren fyldes med brændstof (mindst 6 gange). Det er ikke nødvendigt at fylde blæren helt. (56)

Grib om det forreste håndtag med venstre hånd. Sæt højre fod på underdelen af de bageste håndtag og pres motorsaven ned mod jorden. (57)

Træk i starthåndtaget, 3: Træk i starthåndtaget med højre hånd, og træk startsnoren langsomt ud, indtil der mærkes en modstand (starthagerne griber fat), og foretag derefter nogle hurtige og kraftige ryk, indtil motoren starter.

Tryk chokerregulatoren, 4: Så snart motoren starter, hvilket kan høres ved en "puff"-lyd, skal det røde chokerhåndtag trykkes ned.

Træk i starthåndtaget (5): Bliv ved med at trække kraftigt i startsnoren, indtil motoren starter.

Varm motor

Startposition, 1: Korrekt choker/startgasindstilling ved varmstart opnås ved indledningsvist at flytte chokerhåndtaget ved at trække det røde håndtag udad – opad. (56)

Brændstofpumpe (2): Tryk flere gange på brændstofpumpens gummiblære, indtil blæren fyldes med brændstof (mindst 6 gange). Det er ikke nødvendigt at fylde blæren helt. (56)

Tryk chokerregulatoren, 3: Herved deaktiveres chokeren, der ikke er nødvendig ved start af en varm motorsav. Bevægelsen af start/stop-kontakten vil imidlertid have aktiveret høj tomgang, hvorved varmstart bliver lettere.

Træk i starthåndtaget, 4: Grib om det forreste håndtag med venstre hånd. Sæt højre fod på underdelen af de bageste håndtag og pres motorsaven ned mod jorden. (57)

Træk i starthåndtaget med højre hånd, og træk startsnoren langsomt ud, indtil der mærkes en modstand (starthagerne griber fat), og foretag derefter nogle hurtige og kraftige ryk, indtil motoren starter.

Da kædebremsen stadig er slået til, skal motorens omdrejningstal hurtigst muligt bringes ned på tomgang, hvilket opnås ved at koble gasspærren ud. Udkobling sker ved at give lidt gas på gastriggeren. Derved undgår du unødigt slitage på kobling, koblingstromle og bremsebånd. Lad maskinen køre i tomgang nogle sekunder, før du giver fuld gas.

På savens bagkant (A) findes en forenklet startbeskrivelse med billeder, som beskriver de forskellige trin. (57)

BEMÆRK! Træk ikke startsnoren helt ud, og slip heller ikke starthåndtaget fra udstrakt stilling. Dette kan give skader på maskinen.

Bemærk! Sæt kædebremsen tilbage ved at føre kastbeskyttelsen mod håndtagsbøjlen. Motorsaven er dermed klar til brug.



ADVARSEL! Langvarig indånding af motorens udstødningsgas, kædeolieåge og støv fra savspåner kan være sundhedsskadelig.

- Start aldrig motorsaven, uden at sværd, savkæde og alle dæksler er monteret korrekt. Se instruktionerne i afsnittet Montering. Hvis sværd og kæde ikke er monteret på motorsaven, kan koblingen løses og forårsage alvorlige skader.
- Kædebremsen skal være aktiveret, når motorsaven startes. Se anvisningerne i afsnittet Start og stop. Dropstart aldrig motorsaven. Denne metode er meget farlig, fordi det er let at miste kontrollen over motorsaven. (55)
- Start aldrig maskinen indendørs. Vær bevidst om faren ved indånding af motorens udstødningsgasser.
- Hold øje med omgivelserne, og kontrollér, at der ikke er nogen risiko for, at mennesker eller dyr kan komme i kontakt med skæreudstyret.
- Hold altid fast om motorsaven med begge hænder. Hold højre hånd på det bageste håndtag og venstre hånd på det forreste håndtag. **Alle brugere, både højre- og venstrehåndede, skal bruge dette håndgreb.** Hold godt fast om motorsaven, så tommelfingrene og de øvrige fingre griber om håndtaget på motorsaven.

Stop

Motoren standses ved at trykke start/stop-knappen ned. (59)

BEMÆRK! Start/Stop-kontakten går automatisk tilbage til køreposition. For at undgå utilsigtet start skal tændhætten altid fjernes fra tændrøret, når maskinen ikke er under opsyn. (60)

Før hver anvendelse: (61)

- 1 Kontrollér, at kædebremser fungerer ordentligt og er intakt.
- 2 Kontrollér, at bageste højrehandsbeskyttelse ikke er beskadiget.
- 3 Kontrollér, at gasreguleringslåsen fungerer ordentligt og er intakt.
- 4 Kontrollér, at stopknappen fungerer korrekt og er intakt.
- 5 Kontrollér, at alle håndtag er fri for olie.
- 6 Kontrollér, at vibrationsdæmpningssystemet fungerer og er intakt.
- 7 Kontrollér, at lyddæmperen sidder godt fast og er intakt.
- 8 Kontrollér, at alle motorsavens detaljer er fastspændte, og at de ikke er beskadigede eller mangler.
- 9 Kontrollér, at kædefangeren er på plads og er intakt.
- 10 Kontrollér kædespændingen.

Generelle arbejdsinstruktioner

VIGTIGT!

Dette afsnit behandler grundlæggende sikkerhedsregler for arbejde med motorsave. Informationen kan aldrig erstatte den kundskab, en faguddannet bruger har i form af uddannelse og praktisk erfaring. Når du kommer ud for en situation, som du er usikker på, skal du spørge en ekspert til råds. Henvend dig i din motorsavsforsretning, på dit serviceværksted eller til en erfaren motorsavsbruger. Undgå at udføre opgaver, som du ikke føler dig tilstrækkeligt kvalificeret til!

Inden motorsaven tages i brug, skal du forstå, hvad et kast er for noget, og hvordan det kan undgås. Se instruktionerne i afsnittet Kastforebyggende foranstaltninger.

Inden motorsaven tages i brug, skal du forstå forskellen mellem at save med sværdets underside og dets overside. Se anvisningerne i afsnittene Kastforebyggende foranstaltninger og Maskinens sikkerhedsudstyr.

Brug personligt beskyttelsesudstyr. Se instruktionerne i afsnittet "Personligt beskyttelsesudstyr".

Grundlæggende sikkerhedsregler

- 1 Hold øje med omgivelserne:
- For at du kan være sikker på, at hverken mennesker, dyr eller andet kan påvirke din kontrol over maskinen.
- For at forhindre, at førnævnte ikke risikerer at komme i kontakt med savkæden eller blive ramt af et faldende træ og derved komme til skade.

BEMÆRK! Følg ovennævnte punkter, men brug aldrig en motorsav, hvis det ikke er muligt at tilkalde hjælp i tilfælde af en ulykke.

- 2 Undgå anvendelse i dårligt vejr. F.eks. i tæt tåge, kraftig regn, hård vind og kraftig kulde osv. At arbejde

i dårligt vejr er trættende og kan skabe farlige situationer, f.eks. ved glat underlag, påvirkning af træets faldretning m.m.

- 3 Vær yderst forsigtig ved afsavning af smågrene, og undgå at save i buske (= mange smågrene samtidigt). Smågrene kan efter afsavning sætte sig fast i savkæden, slynges mod dig og forårsage alvorlig personskade.
- 4 Sørg for, at du kan gå og stå sikkert. Kig efter eventuelle forhindringer ved en uventet retræte (rødder, sten, grene, huller, grøfter osv.). Vær meget forsigtig ved arbejde i skrånende terræn.
- 5 Vær yderst forsigtig ved savning i træer, som ligger i spænd. Et spændt træ kan efter gennemsavning svippe tilbage til sin normale stilling. Hvis du placerer dig forkert, og lægger savsnittet forkert, kan det betyde, at træet rammer dig eller maskinen, så du mister kontrollen. Begge omstændigheder kan forårsage alvorlig personskade.



- 6 Ved kortere transporter skal savkæden låses med kædebremsen, og motoren slukkes. Bær motorsaven med sværd og savkæde bagudvendt. Ved længere transporter skal sværdbeskyttelsen bruges.
- 7 Når du anbringer motorsaven på jorden, skal du låse savkæden med kædebremsen og holde øje med maskinen. Ved længere tids 'opbevaring' skal motoren slukkes.



ADVARSEL! Nogle gange sætter spåner sig fast i koblingsdækslet, så kæden klemmes fast. Stands altid motoren ved rengøring.

Grundregler

- 1 Ved at forstå, hvad et kast kan medføre, og hvordan det opstår, kan du reducere eller eliminere overraskelsesmomentet. Overraskelsen øger ulykkesrisikoen. De fleste kast er små, men en del er lynhurtige og meget voldsomme.
- 2 Hold altid motorsaven i et fast greb med højre hånd på det bageste håndtag og venstre hånd på det forreste håndtag. Tommelfingrene og de andre fingre skal omslutte håndtagene. Alle brugere - uanset om man er venstre- eller højrehåndet - skal bruge dette greb. Ved at anvende dette greb kan du bedst reducere effekten af et kast og samtidigt bevare kontrollen over motorsaven. **Slip ikke håndtagene!**
- 3 De fleste kastulykker sker ved kvistning. Sørg derfor for, at du står stabilt, og at ingen genstande på jorden kan få dig til at snuble eller miste balancen.

Ved uagtsomhed kan sværdets kastrisikoområde utilsigtet ramme en gren, et nærliggende træ eller noget andet og fremkalde et kast.

Sørg for at have god kontrol over arbejdsområdet. Hvis de emner, du saver, er små og lette, kan de gå fast i

ARBEJDSTEKNIK

savkæden og slynges mod dig. Selvom dette ikke i sig selv behøver at være farligt, kan du blive overrasket og miste kontrollen over saven. Sav aldrig stablede pinde eller grene uden at skille dem ad. Sav kun en pind eller gren ad gangen. Fjern de afsavede stykker, så arbejdsområdet forbliver sikkert. (62)

- 4 Brug aldrig motorsaven over skulderhøjde, og undgå at save med sværdspidsen. Brug aldrig motorsaven kun med én hånd. (63)**
- 5 For at have fuld kontrol over din motorsav skal du stå stabilt. Arbejd aldrig stående på en stige, oppe i et træ, eller når du ikke står på et stabilt underlag. (64)
- 6 Sav med høj kædehastighed, dvs. med fuld gas.
- 7 Vær yderst forsigtig, når du saver med sværdets overside, dvs. når du saver fra saveobjektets underside. Dette kaldes at save med skubbende savkæde. Savkæden skubber da motorsaven bagud mod brugeren. Hvis savkæden klemmes fast, kan motorsaven kastes bagud mod dig. (65)
- 8 Hvis brugeren ikke holder imod motorsavens kraft, er der risiko for, at motorsaven slår så langt bagud, at sværdets kastrisikozone er den eneste kontakt med træet, hvilket medfører til et kast. (66)
At save med sværdets underside, dvs. save fra objektets overside og ned, kaldes at save med trækkende savkæde. Da trækkes motorsaven mod træet og motorsavskroppens forkant bliver en naturlig støtte mod stammen. Savning med trækkende savkæde giver brugeren bedre kontrol over motorsaven, og man ved, hvor sværdets kastrisikozone befinder sig. (67)
- 9 Følg file- og vedligeholdelsesinstruktionerne for sværd og savkæde. Ved udskiftning af sværd og savkæde må kun de af os anbefalede kombinationer benyttes. Se instruktionerne i afsnittet Skæreudstyr og i afsnittet Tekniske data.

Grundlæggende saveteknik



ADVARSEL! Anvend aldrig en motorsav ved at holde den i én hånd. Du kan ikke håndtere motorsaven sikkert med én hånd. Hav altid et fast, sikkert greb om håndtagene med begge hænder.

Generelt

- Brug altid fuld gas ved al savning!
- Lad motoren gå ned på tomgangsomdrejninger efter hvert savsnit (længere tid med fulde omdrejninger, uden at motoren belastes, dvs. uden den modstand, som motoren arbejder med via savkæden ved savning, kan give alvorlige motorskader).
- At save oppefra og ned = At save med "trækkende" savkæde.
- At save nedefra og op = At save med "skubbende" savkæde.

Savning med "skubbende" savkæde medfører en øget kastrisiko. Se instruktionerne i afsnittet Kastforebyggende foranstaltninger.

Betegnelser

Kapning = Generel betegnelse for gennemsavning af træ.

Kvistning = Kapning af grene fra fældet træ.

Spaltning = Når det objekt, som du skal kappe, brækkes af, inden gennemsavningen er færdig.

Inden hver kapning er der fem meget vigtige faktorer at tage hensyn til:

- 1 Skæreudstyret må ikke klemmes fast i savsnittet. (68)
- 2 Savobjektet må ikke spaltes. (69)
- 3 Savkæden må ikke slå ned i jorden eller andet under og efter gennemsavningen. (70)
- 4 Foreligger der kastrisiko? (4)
- 5 Kan terrænet og omgivelsernes udseende påvirke, hvor stabilt og sikkert du kan gå og stå?

At savkæden klemmes fast, eller at savobjektet spaltes skyldes to faktorer: Hvilken støtte savobjektet har før og under kapning, og om objektet er i spænd.

Førnævnte uønskede foreteelser kan i de fleste tilfælde undgås ved at udføre kapningen i to trin, både fra over- og undersiden. Det gælder om at neutralisere saveobjektets "vilje" til at klemme savkæden fast eller til at spaltes.

VIGTIGT! Hvis savkæden bliver klemt fast i savsnittet, skal motoren standses! Prøv ikke at rykke motorsaven løs. Hvis du gør det, kan du komme til skade på savkæden, når motorsaven pludselig løsnes. Brug en løftestang til at få motorsaven fri.

Følgende punkter er en teoretisk gennemgang af, hvordan man håndterer de mest almindelige situationer, som en motorsavsbruger kan komme ud for.

Kvistning

Ved kvistning af tykkere grene skal man følge de samme principper som ved kapning.

Afkap besværlige grene stykke for stykke. (71)

Kapning



ADVARSEL! Forsøg aldrig at save pinde, når de er stablede eller ligger tæt sammen. Sådanne fremgangsmåder forøger risikoen for kast markant, hvorved der kan opstå alvorlig eller livstruende skade.

Hvis du har en stabel pinde, skal hver enkelt af de pinde, du vil save, fjernes fra stablen, placeres på en savbuk og saves for sig.

Fjern de afsavede pinde fra arbejdsområdet. Hvis du lader dem ligge i arbejdsområdet, forøger du både risikoen for kast og for at miste balancen, når du arbejder. (72)

Stammen ligger på jorden. Der er ingen risiko for fastklemning af savkæden eller spaltning af savobjekt.

ARBEJDSTEKNIK

Der er dog stor risiko for, at savkæden rammer jorden efter gennemsavning. (73)

Sav oppefra og ned gennem hele stammen. Vær forsigtig ved slutningen af savsnittet for at undgå at savkæden rammer jorden. Behold fuld gas, men vær forberedt på det, der kan ske. (74)

Hvis det er muligt (= kan stammen drejes?), bør savsnittet afsluttes 2/3 ned i stammen.

Drej stammen, så den resterende 1/3 kan afsluttes oppefra. (75)

Stammen har støtte i den ene ende. Stor risiko for spaltning. (76)

Begynd med at save nedefra og op (ca. 1/3 af stammens diameter).

Afslut oppefra, så savsporene mødes. (77)

Stammen har støtte i begge ender. Stor risiko for fastklemning af savkæden. (78)

Begynd med at save oppefra (ca. 1/3 af stammens diameter).

Afslut savningen nedefra, så savsporene mødes. (79)

Træfældningsteknik

VIGTIGT! Det kræver stor erfaring at fælde et træ. En uerfaren motorsavsbruger skal ikke fælde træer. Undgå at udføre opgaver, som du ikke er tilstrækkelig kvalificeret til!

Sikkerhedsafstand

Sikkerhedsafstanden mellem det træ, der skal fældes, og den nærmeste arbejdsplads skal være 2 1/2 trælængde. Sørg for, at der ikke befinder sig nogen inden for denne "risikozone" før og under fældning. (80)

Faldretning

Hensigten ved træfældning er at placere træet på en sådan måde, at den efterfølgende kvistning samt afkapning af stammen kan udføres i så "enkelt" terræn som muligt. Man skal kunne gå og stå sikkert.

Når du har besluttet, i hvilken retning du vil fælde træet, skal du vurdere, hvad træets naturlige faldretning er.

De faktorer, som styrer dette, er:

- Hældning
- Krogethed
- Vindretning
- Koncentration af grene
- Eventuel sneyngde
- Forhindringer i nærheden af træet: f.eks. andre træer, kraftkabler, veje og bygninger.
- Kig efter skader og råd i stammen, da det øger risikoen for, at træet knækker og begynder at falde, når du ikke regner med det.

Efter denne vurdering kan man være tvunget til at lade træet falde i sin naturlige faldretning, da det er umuligt eller for farligt at placere det i den retning, man havde planlagt fra begyndelsen.

En anden vigtig faktor, som ikke påvirker faldretningen, men har med din personlige sikkerhed at gøre, er at kontrollere, at træet ikke har nogle beskadigede eller "døde" grene, som kan falde ned og skade dig under fældningsarbejdet.

Først og fremmest skal det undgås, at det faldende træ sætter sig fast i et andet. At tage et fastfældet træ ned er meget farligt og er forbundet med meget stor ulykkesrisiko. Se instruktionerne i afsnittet Håndtering af et mislykket fældningsforsøg. (81)

VIGTIGT! Ved kritiske fældningsmomenter bør høreværnet fældes op, så snart savningen er ophørt, så lyde og advarselssignaler kan høres.

Underkvistning og retrætevej

Afgren stammen op til skulderhøjde. Det er sikrest at arbejde oppefra og ned og at have stammen mellem dig og motorsaven. (82)

Ryd undervegetationen rundt om træet, og vær opmærksom på eventuelle forhindringer (sten, grene, huller osv.), så du får en let fremkommelig retrætevej, når træet begynder at falde. Retrætevejen bør ligge ca. 135° skråt tilbage fra træets planlagte faldretning. (83)

- 1 Risikoområde
- 2 Retrætevej
- 3 Faldretning

Fældning



ADVARSEL! Vi fraråder utilstrækkeligt kvalificerede brugere at fælde et træ med en sværdlængde, som er kortere end stammediameteren!

Fældningen udføres med tre savsnit. Først laves retningsnittet, som består af et oversnit og et undersnit, og derefter afsluttes fældningen med fældesnittet. Ved korrekt placering af disse savsnit, kan man styre faldretningen meget præcist.

Retningsnit

Ved udsavning af retningsnittet begynder man med oversnittet. Sigt efter savens faldretningsmærke (1) mod et mål længere fremme i terrænet, hvor træet skal falde (2). Stå til højre for træet bag saven, og sav med trækkende savkæde.

Sav derefter undersnittet, så det afsluttes præcis, hvor oversnittet slutter. (84)

Retningsnitdybden skal være 1/4 af stammens diameter, og vinklen mellem over- og undersnit skal være mindst 45°.

De to snit mødes i den såkaldte retningsnitlinje. Retningsnitlinjen skal ligge præcist horisontalt og samtidig danne en ret vinkel (90°) i forhold til den valgte faldretning. (85)

Fældesnit

Fældesnittet saves fra den anden side af træet og skal ligge absolut horisontalt. Stå på venstre side af træet og sav med trækkende savkæde.

ARBEJDSTEKNIK

Placer fældesnippet ca. 3-5 cm (1,5-2 tommer) over retningsnittets horisontalplan. (86)

Placer barkstøtten (hvis den er monteret) bag brudpunktet. Sav med fuld gas, og før savkæden/sværdet langsomt ind i træet. Vær opmærksom på, om træet bevæger sig i modsat retning i forhold til den valgte faldretning. Sæt en fældeklei i eller et brækjern i fældesnippet, så snart snitdybden tillader det.

Fældesnippet skal afsluttes parallelt med retningsnittelinjen, så afstanden mellem de to er mindst 1/10 af stammens diameter. Den ikke gennemsaveede del af stammen kaldes brudpunktet.

Brudpunktet fungerer som et hængsel, som styrer retningen af det faldende træ. (87)

Al kontrol over træets faldretning mistes, hvis brudpunktet er for lille eller gennemsaveet, eller hvis retningsnittelinjen er forkkert placeret. (88)

Når fældesnippet og retningsnippet er færdigsavet, skal træet begynde at falde af sig selv eller ved hjælp af fældekleien eller brækjernet. (89)

Vi anbefaler at bruge en sværdlængde, som er længere end træets diameter, så fælde- og retningsnittelinjen kan udføres med et såkaldt 'enkelt savsnit'. Se anvisningerne i afsnittet Tekniske data for at få oplysninger om, hvilke sværdlængder der anbefales til din motorsavsmodel.

Der findes metoder til fældning af træer med en stammediameter, der er større end sværdlængden. Disse metoder medfører en meget stor risiko for, at sværdets kastrisikoområde kommer i nærheden af et objekt. (4)

Håndtering af et mislykket fældningsforsøg

Nedtagning af et "fastfældet træ"

At tage et fastfældet træ ned er meget farligt og er forbundet med meget stor ulykkesrisiko.

Forsøg aldrig at save det fældede træ ned.

Undgå at arbejde inden for risikoområdet af det hængende og næsten fældede træ. (90)

Den sikreste metode er at bruge et spil.

- Traktormonteret
- Bærbar

Savning i træer og grene, som befinder sig i spænd

Forberedelser: Bedøm, i hvilken retning spændingen er rettet, samt hvor den har sit brudpunkt (dvs. det sted, hvor den ville brække over, hvis den blev spændt endnu mere). (91)

Afgør, hvordan du på den sikreste måde kan frigøre spændingen, og om du kan klare det. Ved særligt komplicerede situationer er den eneste sikre metode helt at undlade at bruge motorsaven og i stedet bruge et spil.

Generel gælder:

Placer dig, så du ikke risikerer at blive ramt af træet / grenen, når spændingen udløses. (92)

Lav et eller flere savsnit på eller i nærheden af brudpunktet. Sav så dybt ind og med så mange snit, som der kræves, for at spændingen i træet/grenen skal

udløses så meget, at træet "brækker af" ved brudpunktet. (93)

Sav aldrig helt igennem et objekt, der er i spænd!

Hvis du skal save igennem træet/grenen, skal du lave to eller tre snit med en afstand på 3 cm og en dybde på 3-5 cm. (94)

Fortsæt med at save dybere, indtil spændingen i træet/grenen fjernes. (95)

Sav træet/grenen fra den modsatte side, når spændingen er fjernet.

Kastforebyggende foranstaltninger



ADVARSEL! Kast kan være lynhurtigt, pludseligt og voldsomt og kan kaste motorsav, sværd og savkæde mod brugeren. Er savkæden i bevægelse, når og hvis den rammer brugeren, kan der opstå meget alvorlige, ja endog livsfarlige personskader. Det er nødvendigt at forstå, hvad der forårsager kast, og at de kan undgås ved forsigtighed og korrekt arbejdsteknik.

Hvad er kast?

Kast er betegnelsen på en pludselig reaktion, hvor motorsav og sværd kastes fra et objekt, som er kommet i kontakt med sværdspidsens øverste kvadrant, det såkaldte kastrisikoområde. (66)

Kast slår altid i sværdplanets retning. Det mest almindelige er, at motorsav og sværd kastes opad og bagud mod brugeren. Dog forekommer der andre kastretninger afhængigt af, hvor motorsaven befandt sig i det øjeblik, sværdets kastrisikoområde var i kontakt med et objekt. (7)

Kast kan kun ske, når sværdets kastrisikoområde kommer i kontakt med et objekt. (4)

Kvistning



ADVARSEL! De fleste kastulykker sker ved afgrening. Anvend aldrig sværdet i kastrisikoområdet. Vær yderst forsigtig, og undgå, at sværdspidsen kommer i kontakt med pinden samt andre grene og genstande. Vær yderst forsigtig ved savning af grene, som befinder sig i spænd. De kan fjedre tilbage mod dig og resultere i, at du mister kontrollen, så der opstår skade.

Sørg for, at du kan gå og stå sikkert! Arbejd fra venstre side af stammen. Arbejd så tæt ved motorsaven som muligt for at få den bedste kontrol. Når det er muligt, skal du lade savens vægt hvile på stammen.

Flyt dig kun, når du har stammen mellem dig og motorsaven.

Kapning af stammen til tømmerstokke

Se instruktionerne i afsnittet Grundlæggende saveteknik.

Generelt

Brugeren må kun udføre den form for vedligeholdelses- og servicearbejde, der beskrives i denne brugsanvisning. Mere omfattende arbejde skal udføres af et autoriseret serviceværksted.

Karburatorjustering

Dit Husqvarna-produkt er konstrueret og fremstillet i henhold til specifikationer, som reducerer de skadelige udstødningsgasser.

Funktion

- Via gasreguleringen styrer karburatoren motorens omdrejningstal. I karburatoren blandes luft/brændstof. Denne luft/brændstofblandning er justerbar. For at udnytte maskinens maksimale effekt, skal justeringen være korrekt.
- T-skruen regulerer gasreguleringens stilling ved tomgang. Skrues T-skruen med uret fås et højere tomgangsomedrejningstal, og skrues den mod uret fås lavere tomgangsomedrejningstal.

Grundindstilling og tilkøring

Ved tilkøring på fabrikken foretages en grundindstilling af karburatoren. Finjustering skal udføres af en fagmand.

Anbefalet omdrejningstal i tomgang: Se kapitlet Tekniske data.

Finjustering af tomgang T

Indstilling af tomgang gøres med skruen, der er afmærket T. Hvis justering er nødvendig, skrues tomgangsskruen T ind (med uret) med motoren i gang, indtil kæden begynder at rotere. Skru derefter ud (mod uret) igen, indtil kæden står stille. Korrekt indstillet tomgangsomedrejningstal er, når motoren arbejder jævnt i alle positioner med god marginal til det omdrejningstal, hvor kæden begynder at rotere.



ADVARSEL! Hvis tomgangsomedrejningstallet ikke kan justeres, så kæden står stille, skal du kontakte serviceværkstedet. Brug ikke motorsaven, før den er korrekt indstillet eller repareret.

Korrekt justeret karburator

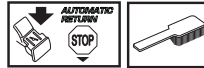
En korrekt justeret karburator bevirker, at maskinen accelererer uden tøven, og at maskinen "bobler" noget ved fuld gas. Desuden må kæden ikke rotere ved tomgang. Et for magert indstillet L-mundstykke kan give startproblemer og dårlig acceleration. Et for magert indstillet H-mundstykke giver maskinen en lavere effekt = "mindre kraft", dårlig acceleration og/eller motorskade.

Kontrol, vedligeholdelse og service af motorsavens sikkerhedsudstyr

Bemærk! Al service og alle reparationer af maskinen kræver specialuddannelse. Dette gælder især maskinens sikkerhedsudstyr. Hvis maskinen ikke klarer nogen af følgende kontroller, anbefaler vi, at du kontakter dit serviceværksted.

Kædebremse med kastbeskyttelse

Kontrol af bremsebåndsslitage



Rens kædebremsen og koblingstromlen for spåner, harpiks og snavs. Snavs og slitage påvirker bremsefunktionen. (96)

Kontrollér regelmæssigt, at der er mindst 0,6 mm af bremsebåndets tykkelse tilbage på det mest slidte sted.

Kontrol af kastbeskyttelse



Kontrollér, at kastbeskyttelsen er hel og uden synlige defekter, f.eks. materialerevner.

Før kastbeskyttelsen frem og tilbage for at kontrollere, at den går let, og at den er stabilt forankret ved dens led i koblingsdækslet.

Kontrol af træghedsfunktionen



Sluk motoren, og hold motorsaven over en stub eller over et andet stabilt underlag. Slip det forreste håndtag, og lad motorsaven falde ned af sig selv mod stubben, mens det bageste håndtag drejer rundt. (97)

Når sværdspidsen rammer stubben, skal bremsen udløses. (98)

Kontrol af bremsevirkning

Anbring motorsaven på et stabilt underlag, og start den. Sørg for, at savkæden ikke kan komme i kontakt med jorden eller noget andet. Se anvisningerne under overskriften Start og stop. (99)

Hold motorsaven i et fast greb med tommelfingre og fingre rundt om håndtagene.

Giv fuld gas, og aktivér kædebremsen ved at dreje venstre håndled mod kastbeskyttelsen. Slip ikke det forreste håndtag. **Kæden skal stoppe øjeblikkeligt.** (58)

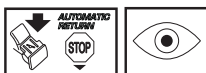
VEDLIGEHOJDELSE

Gasreguleringslås



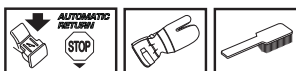
- Kontrollér, at gasreguleringen er låst i tomgangsstilling, når gasreguleringslåsen befinder sig i udgangsstilling. **(100)**
- Tryk gasreguleringslåsen ind, og kontrollér, at den vender tilbage til udgangsstillingen, når den slippes. **(101)**
- Kontrollér, at gasreguleringen og gasreguleringslåsen går let, og at returfejdersystemet fungerer. **(102)**
- Start motorsaven, og giv fuld gas. Slip gasreguleringen, og kontrollér, at kæden standser, og at den bliver stående stille. Hvis kæden roterer med gasreguleringen i tomgangsstilling skal karburatorens tomgangsjustering kontrolleres.

Kædefanger



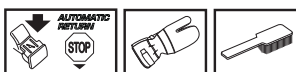
Kontrollér, at kædefangeren er intakt, og at den er fastmonteret på motorsavens krop. **(103)**

Højrehåndsbeskyttelse



Kontrollér, at højrehåndsbeskyttelsen er intakt og uden synlige defekter, f.eks. materialerevner. **(11)**

Vibrationsdæmpningssystem



Kontrollér regelmæssigt vibrationsdæmpningselementerne for materialerevner og deformationer. Kontrollér, at vibrationsdæmpningselementerne er fast forankrede mellem henholdsvis motorenhed og håndtagsenhed. **(104)**

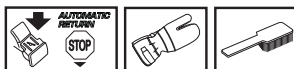
Stopkontakt



Start motoren, og kontrollér, at motoren slukkes, når stopkontakten sættes i stopposition. **(59)**

BEMÆRK! Start/Stop-kontakten går automatisk tilbage til køreposition. For at undgå utilsigtet start skal tændhætten altid fjernes fra tændrøret ved montering, kontrol og/eller vedligeholdelse.

Lyddæmper



Brug aldrig en maskine med en defekt lyddæmper.

Kontrollér regelmæssigt, at lyddæmperen sidder fast i maskinen. **(105)**

Visse lyddæmpere er udstyret med et specielt gnistfangernet. Hvis din maskine er udstyret med en sådan lyddæmper, bør nettet rengøres en gang om ugen. Dette gøres bedst med en stålborste. Et tilstoppet net medfører, at motoren kører varm med alvorlig motorskade til følge.

Bemærk! Ved eventuelle skader på nettet skal dette udskiftes. Ved et tilstoppet net overopvarmes maskinen med skader på cylinder og stempel til følge. Brug aldrig maskinen med en lyddæmper, der er i dårlig stand. **Brug aldrig en lyddæmper uden eller med defekt gnistfangernet. (13)**

Lyddæmperen er beregnet til at dæmpe lydniveauet og til at lede udstødningsgasserne væk fra brugeren. Udstødningsgasserne er varme og kan indeholde gnister, som kan forårsage brand, hvis udstødningsgasserne rettes mod et tørt og brændbart materiale.

Startaggregat



ADVARSEL! Returfjederen ligger i spændt stilling i startaggregathuset og kan ved uagtsom behandling springe ud og forårsage personskade.

Ved udskiftning af startfjeder eller startsnor, skal man være forsigtig. Brug beskyttelsesbriller og -handsker.

Udskiftning af startsnor



- Løsn skrueene, som holder startaggregatet mod krumtaphuset, og løft startaggregatet væk. **(106)**
- Træk snoren ca. 30 cm ud, og løft den i udtaget i snorehjulets periferi. Nulstil returfjederen ved at lade hjulet langsomt rotere baglæns. **(107)**
- Løsn skruen i midten af snorehjulet, og løft medbringerhjulet (A), medbringerfjederen (B) og snorehjulet (C) ud. Før den nye startsnor ind i snorehjulet, og fastgør den. Vikl startsnoren ca. 3 omgange omkring snorehjulet. Monter snorehjulet imod returfjederen (D), så returfjederen går i indgreb i snorehjulet. Monter derefter medbringerfjederen, medbringerhjulet og skruen midt i snorehjulet. Før startsnoren gennem hullet i startaggregathuset og starthåndtaget. Slå derefter en knude på startsnoren. **(108)**

VEDLIGEHOJDELSE

Opspænding af returfjeder

- Løft startsnoren op i udtaget på snorehjulet, og drej snorehjulet ca. 2 omgange med uret.
Bemærk! Kontrollér, at snorehjulet kan drejes yderligere mindst 1/2 omgang, når startsnoren er helt trukket ud. (109)

Træk snoren ud med håndtaget. Flyt tommelfingeren, og slip snoren. Se billedet nedenfor. (110)

Udskiftning af retur- og medbringerfjeder



Returfjeder (A)

- Løft snorehjulet op. Se anvisningerne i afsnittet Udskiftning af knækket eller slidt startsnor. Husk, at returfejderen ligger forspændt i starterhuset.
- Demontér kassetten med returfejderen fra starteren.
- Smør returfejderen med tynd olie. Montér kassetten med returfejderen i starteren. Montér snorehjulet, og forspænd returfejderen.

Medbringerfjeder (B)

- Løsn skruen i midten af snorehjulet, og løft medbringerhjulet og medbringerfejderen ud.
- Udskift medbringerfejderen, og monter medbringerhjulet oven på fjederen. (111)

Montering af startaggregat

- Montér startaggregatet ved først at trække startsnoren ud og derefter lægge startaggregatet på plads mod krumtaphuset. Slip derefter langsomt startsnoren ind, så starthagerne griber fat i snorehjulet.
- Montér og spænd skrueene, som holder startaggregatet.

Luftfilter



Luftfilteret skal rengøres regelmæssigt for støv og snavs for at undgå:

- Karburatorforstyrrelser
- Startproblemer
- Dårlig effekt
- Unødvendig slid på motorens dele.
- Unormalt højt brændstofforbrug.
- Luftfilteret afmonteres, når cylinderdækslet er løftet væk. Ved montering skal du sørge for, at luftfilteret kommer til at slutte helt tæt mod filterholderen. Ryst eller børst filteret rent. (112)

En mere omhyggelig rengøring opnås ved at vaske luftfilteret i sæbevand.

Et længe brugt luftfilter kan aldrig blive helt rent. Derfor skal filteret regelmæssigt udskiftes med et nyt. **Et beskadiget luftfilter skal altid udskiftes.**

En HUSQVARNA motorsav kan forsynes med forskellige typer luftfilter afhængigt af arbejdsmiljø, vejrforhold, årstid etc. Spørg din forhandler til råds.

Tændrør



Tændrørets tilstand påvirkes af:

- En forkert indstillet karburator.
- En forkert olieblending i brændstoffet (for meget eller forkert olie).
- Et snavset luftfilter.

Disse faktorer forårsager belægninger på tændrørets elektroder og kan forårsage driftsforstyrrelser og startproblemer.

Hvis maskinens effekt er for lav, hvis den er svær at starte, eller hvis tomgangen er urolig, skal du altid først kontrollere tændrøret, inden der gøres noget andet. Hvis tændrøret er tilstoppet, skal det renses, og samtidig skal det kontrolleres, at elektrodeafstanden er 0,5 mm. Tændrøret bør udskiftes efter ca. en måneds drift, eller hvis det er nødvendigt, endnu tidligere. (113)

Bemærk! Brug altid anbefalet tændrørstype! Forkert tændrør kan ødelægge stempel/cylinder. Kontrollér, at tændrøret har såkaldt radiostøjdæmpning.

Smøring af nålelejer



Koblingstromlen er forsynet med et nåleleje ved den udgående aksel. Dette nåleleje skal smøres regelmæssigt.

Ved smøring skal du afmontere koblingskappen ved at løsne de to sværdmøtrikker. Placér saven liggende på siden med koblingstromlen opad.

Smøringen foretages ved at komme nogle dråber motorolie ind i midten af koblingstromlen, samtidig med at tromlen drejes. (114)

Kølesystem



For at holde en så lav driftstemperatur som muligt er maskinen udstyret med et kølesystem.

Kølesystemet består af:

- 1 Luftindtag i startaggregat.
 - 2 Luftledeskinne.
 - 3 Ventilatorflanger på svinghjulet.
 - 4 Køleribber på cylinderen.
 - 5 Cylinderdæksel (leder køleluften mod cylinderen).
- (115)

Rens kølesystemet med en børste en gang om ugen, under støvfylde forhold oftere. Et snavset eller tilstoppet kølesystem medfører overopvarmning af maskinen med skader på cylinderen og stemplet til følge.

Centrifugalrensning "Air Injection"

Centrifugalrensning indebærer følgende: Al luft til karburatoren kommer (tages) igennem startaggregatet. Snavs og støv centrifugeres væk af køleventilatoren.

(116)

VIGTIGT! For at bevare centrifugalrensningens funktion skal man udføre kontinuerlig pleje og vedligeholdelse. Rens startaggregatets luftindtag, svinghjulsets ventilatorflanger, området omkring svinghjulet, indsugningsrøret og karburatorrummet.

Vinterbrug

Anvendelse af maskinen i kulde og snevej kan medføre driftsforstyrrelser af følgende årsager:

- For lav motortemperatur.
- Isdannelse på luffilter og frysning i karburator.

Derfor kræves ofte specielle foranstaltninger som f.eks.:

- Delvis mindskelse af startaggregatets luftindtag og dermed forhøjelse af motorens arbejdstemperatur.

Temperatur -5°C eller koldere:



Før brug af maskinen i koldt vejrlig eller i pulversne kan der monteres et særligt dæksel på startaggregatet. Dette reducerer indsugningen af kold luft og forhindrer, at der suges større mængder sne ind. (117)

BEMÆRK! Hvis der er monteret et specielt vintersæt eller foretaget temperaturforhøjende foranstaltninger, skal der foretages omstilling til normale forhold, når maskinen skal benyttes ved normale temperaturer. Ellers risikerer man overopvarmning med svære motorskader til følge.

VIGTIGT! Al vedligeholdelse ud over det, som tidligere er nævnt i denne bog, skal foretages af servicepartneren (forhandleren).

VEDLIGEHOELDELSE

Vedligeholdelsesskema

Nedenfor vises en oversigt over det vedligeholdelsesarbejde, der skal udføres på maskinen. De fleste af punkterne er beskrevet i afsnittet Vedligeholdelse.

Dagligt eftersyn	Ugentligt eftersyn	Månedligt eftersyn
Rengør maskinen udvendigt.	Kontrollér kølesystemet ugentligt.	Kontrollér bremsebåndet på kædebremsen med hensyn til slitage. Udskift bremsebåndet, når der er mindre end 0,6 mm tilbage på det mest slidte sted.
Kontrollér, at gasreguleringens indgående dele fungerer sikkerhedsmæssigt korrekt (Gasreguleringslås og gasregulering.)	Kontrollér startaggregatet, startsnoren og returfjederen.	Kontrollér koblingscentrumet, koblingstromlen og koblingsfjederen med hensyn til slitage.
Rens kædebremsen, og kontrollér dens funktion ud fra et sikkerhedsmæssigt synspunkt. Kontrollér, at kædefangeren ikke er defekt, og udskift om nødvendigt.	Kontrollér, at vibrationsdæmpningskomponenterne ikke er beskadigede.	Rens tændrøret. Kontrollér, at elektrodeafstanden er 0,5 mm.
Sværdet skal vendes regelmæssigt for at få en mere jævn slitage. Kontrollér, at smørehullet i sværdet ikke er tilstoppet. Rens kædesporet.	Smør koblingstromlens lejer.	Rengør karburatoren udvendigt.
Kontrollér, at sværd og kæde får tilstrækkelig med olie.	Fil eventuelle ujævnheder væk på sværdets sider.	Kontrollér brændstoffilteret og brændstofslangen. Udskift om nødvendigt.
Kontrollér savkæden for synlige revner i nitter og led, hvis savkæden er sløv, eller nitter og led er unormalt slidte. Skift dem om nødvendigt.	Rengør, eller udskift lyddæmperens gnistfangernet.	Tøm brændstoftanken, og rengør den indvendigt.
Fil kæden, og kontrollér dens stramning og tilstand. Kontrollér, at kædedrivhjulet ikke er unormalt slidt, udskift i nødvendige tilfælde.	Rengør karburatorrummet.	Tøm olietanken, og rengør den indvendigt.
Rengør luftindtaget i startaggregatet.	Rens luftfilteret. Udskift om nødvendigt.	Kontrollér alle kabler og tilslutninger.
Kontrollér, at skruer og møtrikker er spændte.		
Kontrollér, at stopkontakten fungerer.		
Kontrollér, at hverken motor, tank eller brændstoftør lækker brændstof.		
Kontrollér, at kæden ikke roterer, mens motoren kører i tomgang.		

TEKNISKE DATA

Tekniske data

	435 II	435e II	440 II	440e II
Motor				
Cylindervolumen, cm ³	40,9	40,9	40,9	40,9
Cylinderdiameter, mm	41	41	41	41
Slaglængde, mm	31	31	31	31
Tomgangsomdrejninger, o/min.	2900	2900	2900	2900
Effekt, kW/ o/min.	1,6/9000	1,6/9000	1,8/9000	1,8/9000
Tændingsystem				
Tændrør	NGK BPMR 7A/ Champion RCJ 7Y	NGK BPMR 7A/ Champion RCJ 7Y	NGK BPMR 7A/ Champion RCJ 7Y	NGK BPMR 7A/ Champion RCJ 7Y
Elektrodeafstand, mm	0,5	0,5	0,5	0,5
Brændstof-/smøresystem				
Volumen benzintank, liter	0,37	0,37	0,37	0,37
Kapacitet oliepumpe ved 9000 o/min., ml/min.	13	13	13	13
Volumen olietank, liter	0,25	0,25	0,25	0,25
Type af oliepumpe	Automatisk	Automatisk	Automatisk	Automatisk
Vægt				
Motorsav uden sværd, kæde samt med tomme tanke, kg	4,2	4,4	4,2	4,4
Støjemissioner (se anm. 1)				
Lydeffektniveau, målt dB(A)	112	112	113	113
Lydeffektniveau, garanteret L _{WA} dB(A)	114	114	114	114
Lydniveauer (se anm. 2)				
Ækvivalent lydtryksniveau ved brugerens øre, dB(A)	102	102	102	102
Ækvivalente vibrationsniveauer, a_{hveq} (se anm. 3)				
Forreste håndtag, m/s ²	2,5	2,5	2,5	2,5
Bageste håndtag, m/s ²	3,2	3,2	3,2	3,2
Kæde/sværd				
Standard sværdlængde, tommer/cm	13"/33	13"/33	13/33	13"/33
Anbefalede sværdlængder, tommer/cm	13-18/33-45	13-18/33-45	13-18/33-45	13-18/33-45
Effektiv skærelængde, tommer/cm	12-17/31-43	12-17/31-43	12-17/31-43	12-17/31-43
Deling, tommer/mm	0,325/8,25	0,325/8,25	0,325/8,25	0,325/8,25
Tykkelse på drivled, tommer/mm	0,050/1,3	0,050/1,3	0,050/1,3	0,050/1,3
Type af drivhjul/antal tænder	Spur/7	Spur/7	Spur/7	Spur/7
Kædehastighed på 133 % af motorens maksimale omdrejningstal, m/s.	23,1	23,1	23,1	23,1

Anm. 1: Emission af støj til omgivelserne målt som lydeffekt (L_{WA}) i henhold til Rådets direktiv 2000/14/EF.

Anm. 2: Ækvivalent lydtryksniveau i henhold til ISO 22868 beregnes som den tidsvægtede energisum for forskellige lydtryksniveauer ved forskellige driftstilstande. Typisk statistisk spredning for et ækvivalent lydtryksniveau er en standardafvigelse på 1 dB (A).

Anm. 3: Ækvivalent vibrationsniveau i henhold til ISO 22867 beregnes som den tidsvægtede energisum for vibrationsniveauer ved forskellige driftstilstande. Rapporterede data for et ækvivalent vibrationsniveau har en typisk statistisk spredning (standardafvigelse) på 1 m/s².


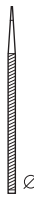
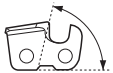
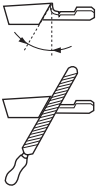

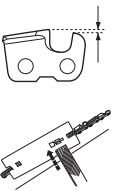
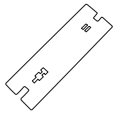
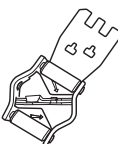
TEKNISKE DATA

Sværd- og kædekombinationer

Følgende skæreudstyr er godkendt til modellerne Husqvarna 435 II, 435e II, 440 II og 440e II.

Sværd				Savkæde	
Længde, tommer	Deling, tommer	Sporbredde, mm	Maks. antal tænder, næsehjul	Type	Længde, drivled (stk.)
13	0,325	1,3	10T	Husqvarna H30	56
15					64
16					66
18					72

Slibeskalaer og slibning af savkæde

							
	inch/mm				inch/mm		
H30	3/16 / 4,8	85°	30°	10°	0,025 / 0,65	5056981-00	5056981-08

EF-overensstemmelseserklæring

(Gælder kun Europa)

Husqvarna AB, SE-561 82 Huskvarna, Sverige, tlf. +46-36-146500, erklærer hermed og påtager sig det fulde ansvar for, at motorsavene til skovbrug **Husqvarna 435 II, 435e II, 440 II og 440e II** fra 2013 årgangsserienummer og fremad (året er angivet i klartekst på typeskiltet plus et efterfølgende serienummer) opfylder forskrifterne i RÅDETS DIREKTIV:

- af den 17. maj 2006 "angående maskiner" **2006/42/EF**.
- af den 15. december 2004 "angående elektromagnetisk kompatibilitet" **2004/108/EØF**.
- af den 8. maj 2000 "angående emission af støj til omgivelserne" **2000/14/EF**.

Oplysninger om støjemissioner fremgår af kapitlet Tekniske data. Følgende standarder er opfyldt:

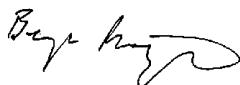
EN ISO 12100:2010, ISO 14982:2009, EN ISO 11681-1:2011

Udpeget organ: **0404, SMP Svensk Maskinprovning AB**, Box 7035, SE-750 07 Uppsala, Sverige, har foretaget EF-typegodkendelse i henhold til maskindirektivets (2006/42/EF) artikel 12, punkt 3b. Attester vedrørende EF-typegodkendelse i henhold til bilag IX har numrene: **0404/09/2012 - 435 II, 435e II, 440 II, 440e II**.

Endvidere har SMP, Svensk Maskinprovning AB, Box 7035, SE-750 07 Uppsala, Sverige, bekræftet, at bestemmelserne i bilag V til Rådets direktiv af den 8. maj 2000 "angående emission af støj til omgivelserne" 2000/14/EF opfyldes. Certifikaterne har nummer: **01/161/075 - 435 II, 435e II, 01/161/074 - 440 II, 440e II**.

Den leverede motorsav er i overensstemmelse med det produkt, der er godkendt i henhold til EF-typegodkendelse.

Huskvarna 8. april 2013



Bengt Frögelius, Udviklingschef Motorsav (Autoriseret repræsentant for Husqvarna AB og ansvarlig for teknisk dokumentation.)

SYMBOLFORKLARING

Symboler på maskinen:

ADVARSEL! Motorsager kan være farlige! Uforsiktig eller feilaktig bruk kan resultere i alvorlige skader eller dødsfall for brukeren eller andre.

Les nøye gjennom bruksanvisningen og forstå innholdet før du bruker maskinen.

Bruk alltid:

- Godkjent vernehjelm
- Godkjent hørselsvern
- Vernebriller eller visir

Dette produktet er i overensstemmelse med gjeldende CE-direktiv.

Støyutslipp til omgivelsene ifølge EFs direktiv. Maskinens utslipp angis i kapitlet Tekniske data og på klistremerke.

Tenning; choke: Still chokehendelen i chokestilling. Stoppbryteren skal da stilles automatisk på startposisjon.

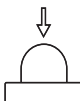
Drivstoffpåfylling.

Påfylling av kjedeolje.

Brennstoffpumpe

Innstilling av oljepumpe.

Kjedebremis, aktivert (høyre)
Kjedebremis, ikke aktivert (venstre)



Øvrige symboler/klistremerker angitt på maskinen gjelder spesifikke krav for sertifiseringer på visse markeder.

Symboler i bruksanvisningen:

Kontroll og/eller vedlikehold skal utføres med avslått motor. OBS! Start/Stop-kontakten går automatisk tilbake til kjørestilling. For å unngå ufrivillig start, må tennpluggen derfor alltid fjernes fra tennpluggen ved montering, kontroll og/eller vedlikehold.



Bruk alltid godkjente vernehansker.



Regelmessig renhold er nødvendig.



Visuell kontroll.



Vernebriller eller visir må benyttes.



Drivstoffpåfylling.



Oljepåfylling og justering av oljetilførsel.



Kjedebremisen skal være satt på når motorsagen startes.



ADVARSEL! Kast kan oppstå når sverdspissen kommer i kontakt med en gjenstand og forårsaker en reaksjon som kaster sverdet oppover og bakover mot brukeren. Dette kan forårsake alvorlig personskade.



INNHold

Innhold

SYMBOLFORKLARING

Symboler på maskinen:	82
Symboler i bruksanvisningen:	82

INNHold

Innhold	83
---------------	----

INNLEDNING

Kjære kunde	84
-------------------	----

HVA ER HVA?

Hva er hva på motorsagen?	84
---------------------------------	----

GENERELLE SIKKERHETSINSTRUKSJONER

Tiltak før bruk av en ny motorsag	85
Viktig	85
Bruk alltid sunn fornuft	86
Personlig verneutstyr	86
Maskinens sikkerhetsutstyr	86
Skjæreutstyr	88

MONTERING

Montering av sverd og kjede	92
-----------------------------------	----

BRENNSTOFFHÅNTERING

Brennstoff	93
Fylling av brennstoff	94
Brennstoffsikkerhet	94

START OG STOPP

Start og stopp	95
----------------------	----

ARBEIDSTEKNIKK

Før hver gangs bruk:	96
Generelle arbeidsinstruksjoner	96
Kastforebyggende tiltak	99

VEDLIKEHOLD

Generelt	100
Forgasserjustering	100
Kontroll, vedlikehold og service på motorsagens sikkerhetsutstyr	100
Lyddemper	101
Startmotor	101
Luftfilter	102
Tennplugg	102
Smøring av nålelager	102
Kjølesystem	102
Sentrifugalrensing "Air Injection"	103
Vinterbruk	103
Vedlikeholdsskjema	104

TEKNISKE DATA

Tekniske data	105
Sverd og kjedekombinasjoner	106
Sagkjedets filing og filmaler	106
EF-erklæring om samsvar	106

INNLEDNING

Kjære kunde

Gratulerer med ditt valg om å kjøpe et Husqvarna-produkt! Husqvarna har aner som går tilbake til 1689, da kong Karl XI fikk oppført en fabrikk ved kanten av Huskvarnaelven for produksjon av musketter.

Plasseringen ved Huskvarnaelven var logisk, ettersom elven ble benyttet til å produsere vannkraft og på den måten utgjorde et vannkraftverk. I de mer enn 300 år Husqvarna-fabrikken har eksistert er det blitt produsert utallige produkter, alt fra vedovner til moderne kjøkkenmaskiner, symaskiner, sykler, motorsykler m.m. I 1956 ble den første motorgressklipperen lansert, fulgt av motorsagen i 1959, og det er på dette området Husqvarna arbeider i dag.

Husqvarna er i dag en av verdens ledende produsenter av skogs- og hageprodukter med kvalitet og yteevne som høyeste prioritet. Forretningssidéen er å utvikle, produsere og markedsføre produkter til skogs- og hagebruk samt bygg- og anleggsindustrien. Husqvarnas mål er også å være i forkant når det gjelder ergonomi, brukervennlighet, sikkerhet og miljøtenkning, og det er derfor det er utviklet en rekke finesser for å forbedre produktene på disse områdene.

Vi er overbevist om at du vil sette pris på vårt produkts kvalitet og yteevne i lang tid fremover. Et kjøp av et av våre produkter gir deg tilgang til profesjonell hjelp med reparasjoner og service dersom noe tross alt skulle skje. Hvis maskinen ikke er kjøpt hos en av våre autoriserte forhandlere, så spør dem etter nærmeste serviceverksted.

Vi håper du vil bli fornøyd med maskinen din og at den vil være din følgesvenn i lang tid fremover. Husk at denne bruksanvisningen er et verdipapir. Ved å følge dens innhold (bruk, service, vedlikehold osv.) kan du vesentlig forlenge maskinens levetid og også øke dens bruk verdi. Sørg for å overlate bruksanvisningen til den nye eieren hvis du selger maskinen din.

Takk for at du bruker et Husqvarna-produkt!

Husqvarna AB arbeider løpende med å videreutvikle sine produkter, og forbeholder seg derfor retten til endringer vedrørende bl.a. form og utseende uten varsel.

Hva er hva på motorsagen? (1)

- 1 Sylinderdeksel
- 2 Brennstoffpumpe
- 3 Startpåminnelse
- 4 Kombinert start- og stoppkontakt
- 5 Bakre håndtak
- 6 Informasjons- og advarselsetikett
- 7 Brennstofftank
- 8 Justeringsskrue forgasser
- 9 Starthåndtak
- 10 Startmotor
- 11 Kjedeoljetank
- 12 Produkt- og serienummerskilt
- 13 Fellingsretningsmerke
- 14 Fremre håndtak
- 15 Kastbeskyttelse
- 16 Lyddemper
- 17 Sagkjede
- 18 Nesehjul
- 19 Sagsverd
- 20 Barkstøtte
- 21 Kjedefanger
- 22 Kjedestrammerskrue (435 II, 440 II)
- 23 Kopplingsdeksel (435 II, 440 II)
- 24 Høyrehåndsvern
- 25 Gassregulator
- 26 Gassregulatorsperre
- 27 Kopplingsdeksel (435e II, 440e II)
- 28 Kjedestrammerhjul
- 29 Knott
- 30 Bruksanvisning
- 31 Kombinøkkel
- 32 Sverdbeskyttelse

GENERELLE SIKKERHETSINSTRUKSJONER

Tiltak før bruk av en ny motorsag

- Les nøye gjennom bruksanvisningen.
- (1) - (117) viser til illustrasjoner på side 2-6.
- Kontroller skjærestyrets montering og justering. Se anvisninger under overskriften Montering
- Fyll bensin og start motorsagen. Se anvisninger under overskriftene Håndtyring av brennstoff og Satt og Stopp.
- Bruk ikke motorsagen før nok kjedemørlje har nådd sagkjedet. Se anvisninger under overskriften Skjærestyr.
- Langvarig eksponering overfor støy kan gi varige hørselsskader. Bruk derfor alltid godkjent hørselsvern.



ADVARSEL! Maskinens opprinnelige konstruksjon må ikke under noen omstendighet endres uten produsentens tillatelse. Bruk alltid originalt tilleggsutstyr. Uautoriserte endringer og/eller tilleggsutstyr kan medføre alvorlige skader eller dødsfall for brukeren eller andre.



ADVARSEL! En motorsag som brukes skjedesløst eller galt kan være et farlig redskap som kan forårsake alvorlige, til og med livstruende skader. Det er meget viktig at du leser og forstår innholdet i denne bruksanvisningen.



ADVARSEL! Lyddemperen inneholder kjemikalier som kan være kreftfremkallende. Unngå kontakt med disse elementene dersom lyddemperen blir skadd.



ADVARSEL! Langvarig innånding av motorens avgasser, kjedeoljetåke og støv fra sagspon kan utgjøre en helsefare.



ADVARSEL! Denne maskinen skaper et elektromagnetisk felt når den er i bruk. Dette feltet kan under visse omstendigheter forstyrre aktive eller passive medisinske implantater. For å redusere risikoen for alvorlig eller livstruende skade, anbefaler vi at personer med medisinske implantater rådfører seg med sin lege og produsenten av det medisinske implantatet før denne maskinen tas i bruk.



ADVARSEL! La aldri barn bruke eller oppholde seg i nærheten av maskinen. Eitersom maskinen er utstyrt med tilbakefjærende stoppekontakt og kan startes med lav hastighet og kraft på starthåndtaket, kan selv små barn under visse omstendigheter oppnå den kraft som trengs for å starte maskinen. Dette kan medføre risiko for alvorlig personskade. Ta derfor av tennpluggetten når maskinen ikke er under oppsikt.

Viktig

VIGTIG!

Denne kjedesagen for skogbruk er konstruert for skogsarbeid som felling, kvisting og kapping.

Bruken av maskinen kan være underlagt nasjonale forskrifter.

Du bør kun bruke de sverd/sagkjedekombinasjoner vi anbefaler i kapitlet Tekniske data.

Bruk aldri maskinen hvis du er trett, har drukket alkohol eller bruker medisiner som kan påvirke syn, vurderingsevne eller kropps kontroll.

Bruk personlig verneutstyr. Se anvisninger under overskriften "Personlig verneutstyr".

Modifiser aldri denne maskinen slik at den ikke lenger stemmer overens med originalutførelsen, og bruk den ikke hvis den synes å ha blitt modifisert av andre.

Bruk aldri en maskin som det er noe galt med. Utfør sikkerhetskontrollene og vedlikeholds- og serviceinstruksjonene i denne bruksanvisningen. Noen vedlikeholds- og servicetiltak må utføres av erfarne og kvalifiserte spesialister. Se instruksjonene under overskriften Vedlikehold.

Bruk aldri annet tilleggsutstyr enn det som er anbefalt i denne bruksanvisningen. Se avvisninger under overskriftene Skjærestyr og Tekniske data.

OBS! Bruk alltid vernebriller eller ansiktsvisir for å redusere risikoen for skader fra gjenstander som slynges ut. En motorsag kan slynge i vei gjenstander som sagspon, små trebiter osv. med stor kraft. Dette kan forårsake alvorlig skade, spesielt på øynene.



ADVARSEL! Å kjøre en motor i et innestengt eller dårlig ventilert rom kan forårsake dødsfall ved kveling eller karbonmonoksidforgiftning.



ADVARSEL! Feil skjærestyr eller feil sverd/sagkjedekombinasjon øker risikoen for kast! Bruk bare de sverd/sagkjedekombinasjonene vi anbefaler, og følg instruksjonene for filing. Se anvisninger under overskriften Tekniske data.

GENERELLE SIKKERHETSINSTRUKSJONER

Bruk alltid sunn fornuft (2)

Det er umulig å dekke alle tenkelige situasjoner du kan stilles overfor ved bruk av motorsag. Vær alltid forsiktig og bruk sunn fornuft. Unngå situasjoner du ikke føler deg tilstrekkelig kvalifisert for. Hvis du etter å ha lest disse instruksjonene fortsatt føler deg usikker vedrørende bruken, skal du rådføre deg med en ekstert før du fortsetter. Ikke nøl med å kontakte din forhandler eller oss dersom du har spørsmål vedørende bruk av motorsag. Vi står gjerne til tjeneste og gir deg råd som hjelper deg å bruke din motorsag på en bedre og sikrere måte. Ta gjerne opplæring i bruk av motorsag. Din forhandler, skogpleieskole eller ditt bibliotek kan opplyse deg om hvilket opplæringsmaterieell og hvilke kurs som er tilgjengelige. Det pågår et løpende arbeid med å forbedre design og teknikk - forbedringer som øker din sikkerhet og effektivitet. Besøk din forhandler jevnlig for å se hvilken nytte du kan ha av de nyhetene som lanseres.

Personlig verneutstyr



ADVARSEL! De fleste motorsagsulykker inntreffer når sagkjedet treffer brukeren. Ved all bruk av maskinen skal det brukes godkjent personlig verneutstyr. Personlig verneutstyr eliminerer ikke skaderisikoen, men det reduserer virkningen av en skade hvis ulykken skulle være ute. Be forhandleren om hjelp ved valg av utstyr.

- Godkjent vernehjelm
- Hørselsvern
- Vernebriller eller visir
- Hansker med sagvern
- Bukser med sagvern
- Støvler med sagvern, ståttupp og skliskikker såle
- Førstehjelpsutstyr må alltid finnes for hånden.
- Brannsløkkingsapparat og spade

Klærne bør ellers være ettersittende uten å begrense bevegelsesfriheten.

VIGTIG! Det kan kome gnister fra lyddemperen, sverdet og kjedet eller annen kilde. Ha alltid verktøy for brannsløkking for hånden i tilfelle du skulle trenge det. På den måten hjelper du til å forhindre skogbrann.

Maskinens sikkerhetsutstyr

I dette avsnittet forklares hva maskinens sikkerhetsdetaljer er, samt deres funksjon. For kontroll og vedlikehold, se anvisninger under overskriften Kontroll, vedlikehold og service av motorsagens sikkerhetsutstyr. Se anvisninger under overskriften Hva er hva? for å se hvor disse detaljene er plassert på din maskin.

Maskinens levetid kan forkortes og risikoen for ulykker kan øke dersom vedlikehold av maskinen ikke utføres på riktig måte og dersom service og/eller reparasjoner ikke

er fagmessig utført. Kontakt nærmeste serviceverksted dersom du trenger ytterligere opplysninger.



ADVARSEL! Bruk aldri en maskin med defekt sikkerhetsutstyr. Sikkerhetsutstyret skal kontrolleres og vedlikeholdes. Se anvisninger under overskriften Kontroll, vedlikehold og service av motorsagens sikkerhetsutstyr. Hvis maskinen ikke består alle kontrollene, må serviceverkstedet oppsøkes for reparasjon.

Kjedebremser med kastbeskyttelse

Din motorsag er utstyrt med kjedebremser som er konstruert slik at den stanser sagkjedet ved kast. En kjedebremser reduserer faren for ulykker, men det er bare du som bruker som kan hindre at de oppstår. (3)

Vær forsiktig ved bruk og påse at sverdetts kastrisikosektor aldri kommer i berøring med noe. (4)

- Kjedebremsen (A) aktiveres enten manuelt (via vendrehånden) eller med tregheitsfunksjonen. (5)
- Aktivisering skjer når kastbeskyttelsen (B) føres fremover. (5)
- Denne bevegelsen aktiverer en fjærspennet mekanisme som spenner bremsebåndet (C) rundt motorens kjededriftssystem (D) (koplingstrømmelen). (6)
- Kastbeskyttelsen er ikke bare konstruert for å aktivere kjedebremsen. En annen meget viktig funksjon er at den reduserer faren for at venstrehånden skal treffe sagkjedet hvis man mister taket rundt det fremste håndtaket.
- Kjedebremsen skal alltid være på når motorsagen startes for å hindre kejet i å rotere. (55)
- Bruk kjedebremser som 'parkeringsbremser' ved start samt ved kortere forflytting for å hindre ulykker der bruker eller omgivelser ufrivillig kan komme i kontakt med sagkjedet i bevegelse. Ikke la motorsagen være slått på med kjedebremsen aktivert i lang tid. Motorsage kan bli svært varm.
- Kjedebremsen frikoples ved at kastvernet merket "PULL BACK TO RESET" føres bakover mot det fremre håndtaket.
- Kast skje lynraskt og meget voldsomt. De fleste kast er små og fører ikke alltid til at kjedebremsen aktiveres. Ved slike kast gjelder det å holde motorsagen i et fast grep og ikke slippe den.
- Om kjedebremsen aktiveres manuelt eller via tregheitsfunksjonen styres av hvor voldsomt kastet er, og av motorsagen posisjon i forhold til det som kastrisikosektoren på sverdet har kommet i kontakt med.
Ved voldsomme kast og når sverdetts kastrisikosektor befinner seg så langt borte fra brukeren som mulig, er kjedebremsen konstruert slik at den aktiveres av kjedebremmens motvekt (treghet) i kastretningen. (7)
Ved mindre voldsomme kast eller i arbeidssituasjoner hvor kastrisikosektoren befinner seg nær brukeren, aktiveres kjedebremsen manuelt med venstre hånd.

GENERELLE SIKKERHETSINSTRUKSJONER

- Ved felling er venstrehånden i en stilling som umuliggjør aktivering av kjedebremsen. Ved denne typen grep, dvs. når venstre hånd er plassert slik at den ikke kan utløse kastbeskyttelsen, kan kjedebremsen bare aktiveres via treghetsfunksjonen. (8)

Vil min hånd alltid aktivere kjedebremsen ved kast?

Nei. Det kreves en viss kraft for å føre kastbeskyttelsen forover. Hvis hånden din bare streifer lett borti kastbeskyttelsen eller glir over den, kan det hende at kraften ikke er tilstrekkelig sterk til å utløse kjedebremsen. Du skal også ha et fast grep om motorsagens håndtak når du arbeider. Hvis du gjør det og får et kast, slipper du kanskje taket i det fremre håndtaket og aktiverer ikke kjedebremsen, eller så aktiveres kjedebremsen først når saken har rullet å svinge et godt stykke rundt. I en slik situasjon kan det hende at kjedebremsen ikke rekker å stanse kjedet før det treffer deg.

Det forekommer også visse arbeidsstillinger som gjør at hånden din ikke kan nå kastbeskyttelsen for å aktivere kjedebremsen, f.eks. når saken holdes i fellingsstilling.

Vil treghetsaktivering av kjedebremsen alltid skjer hvis det inntreffer et kast?

Nei. For det første må bremsen din fungere. Det er lett å teste bremsen, se anvisninger under overskriften Kontroll, vedlikehold og service av motorsagens sikkerhetsutstyr. Vi anbefaler at du gjør dette før du påbegynner hver arbeidsøkt. For det andre må kastet være tilstrekkelig kraftig for å aktivere kjedebremsen. Hvis kjedebremsen hadde vært for følsom, ville den aktiveres stadig vekk, og det ville være tungvint.

Vil kjedebremsen alltid beskytte meg mot skader hvis et kast inntreffer?

Nei. For det første må bremsen din fungere for å gi den tiltenkte beskyttelsen. For det andre må den aktiveres som beskrevet over for å stanse sagkjedet ved et kast. For det tredje kan kjedebremsen aktiveres, men hvis sverdet er for nær deg, kan det hende at bremsen ikke rekker å bremse og stanse kjedet før motorsagen treffer deg.

Det er bare du selv og en korrekt arbeidsteknikk som kan eliminere kast og dets farer.

Gassregulatorsperre

Gassregulatorsperren er konstruert for å hindre at gassregulatoren aktiveres ufrivillig. Når sperren (A) trykkes ned i håndtaket (= når man holder rundt håndtaket), frikoples gassregulatoren (B). Når grepet rundt håndtaket slippes, tilbakestilles både gassregulatoren og sperren til sin opprinnelige posisjon. Denne posisjonen innebærer at gassregulatoren automatisk låses på tomgang. (9)

Kjedefanger

Kjedefangeren er konstruert for å fange opp et avhoppet eller avslitt kjede. Dette unngås i de fleste tilfeller ved korrekt kjedespenning (se anvisninger under overskriften Montering) og korrekt vedlikehold og service på sverd og kjede (se anvisninger under overskriften Generelle arbeidsinstruksjoner). (10)

Høyrehåndsvern

Høyrehåndsvernet skal beskytte hånden hvis kjedet hopper av eller ryker, og sørge for at greiner og kvister ikke påvirker grepet rundt det bakerste håndtaket. (11)

Avvibreringssystem

Din maskin er utstyrt med et avvibreringssystem som er konstruert for å gi en mest mulig vibrasjonsfri og behagelig bruk.

Maskinens avvibreringssystem reduserer overføringen av vibrasjoner mellom motorenhet/skjæreutstyr og maskinens håndtak. Motorsagkroppen, inklusive skjæreutstyr, er opphengt i håndtaksdelen med såkalte avvibreringselementer.

Saging i harde treslag (de fleste løvtrær) gir mer vibrasjoner enn saging i myke treslag (de fleste bartrær). Saging med uskarpt eller feil skjæreutstyr (feil type eller feil filt), øker vibrasjonsnivået.



ADVARSEL! Overeksponering for vibrasjoner kan føre til blodkar- eller nerveskader hos personer som har blodsirkulasjonsforstyrrelser. Oppsøk lege hvis du opplever fysiske symptomer som kan relateres til overeksponering for vibrasjoner. Eksempel på slike symptomer er dovnang, manglende følelse, "kiling", "stikk", smerte, manglende eller redusert styrke, forandringer i hudens farge eller overflate. Disse symptomene opptrer vanligvis i fingrer, hender eller hånledd. Disse symptomene kan øke ved lave temperaturer.

Stoppbryter

Stoppbryteren skal brukes for å slå av motoren. (12)

Lyddemper

Lyddemperen er konstruert for å gi et lydnivå som er så lavt som mulig, og for å lede avgassene fra motoren bort fra brukeren.



ADVARSEL! Motorens avgasser er varme og kan inneholde gnister som kan forårsake brann. Start derfor aldri maskinen innendørs eller i nærheten av lettantennelig materiale!

GENERELLE SIKKERHETSINSTRUKSJONER

I områder med varmt og tørt klima kan faren for brann være stor. Det forekommer at disse områdene er regulert ved lovgivning og forskrifter om at lydtemperen blant annet skal være utstyrt med godkjent gnistfangernett. (13)

Ved montering av nett, pass på at nettet monteres i riktig posisjon. Bruk kombinøkkel til å montere eller fjerne nettet ved behov.

OBS! Lydtemperen blir meget varm både under bruk og etter stopp. Dette gjelder også tomgangskjøring. Vær oppmerksom på brannfaren, spesielt ved håndtering nær brannfarlige stoffer og/eller gasser.



ADVARSEL! Bruk aldri en motorsag uten eller med defekt lydtemper. En defekt lydtemper kan øke lydnivået og brannfaren betraktelig. Ha verktøy for brannsløkking tilgjengelig. Bruk aldri en motorsag uten eller med defekt gnistfangernett dersom gnistfangernett er påbudt i ditt arbeidsområde.

Skjæreutstyr

Dette avsnittet omhandler hvordan du ved korrekt vedlikehold og bruk av riktig type skjæreutstyr:

- Gjør maskinen mindre utsatt for kast.
- Reduserer forekomsten av sagkjedeavhopp og sagkjedebrudd.
- Gir optimal skjæreytelse.
- Øker skjæreutstyrets levetid.
- Unngår økning av vibrasjonsnivåer.

Grunnregler

- **Bruk bare det skjæreutstyret vi anbefaler!** Se anvisninger under overskriften Tekniske data.
- **Hold sagkjedets tenner godt og korrekt fult! Følg våre instruksjoner og bruk anbefalt filmal.** Et sagkjede som er slipt feil eller skadet øker risikoen for ulykker.
- **Hold korrekt understilling! Følg våre instruksjoner og bruk anbefalt understillingsmal.** For stor understilling øker risikoen for kast.
- **Hold sagkjedet stramt!** Et kjede som er for slakt øker risikoen for sagkjedeavhopp og gir større slitasje på sverd, sagkjede og sagkjedets drivhjul.
- **Sørg for god smøring og korrekt vedlikehold av skjæreutstyret!** Utilstrekkelig smøring av sagkjedet øker risikoen for sagkjedebrudd og øker slitasjen på sverd, sagkjede og sagkjedets drivhjul.

Kastreduserende skjæreutstyr



ADVARSEL! Feil skjæreutstyr eller feil sverd/sagkjedekombinasjon øker risikoen for kast! Bruk bare de sverd/sagkjedekombinasjonene vi anbefaler, og følg instruksjonene for filing. Se anvisninger under overskriften Tekniske data.

Kast kan bare unngås ved at du som bruker sørger for at sverdetts kastrisikosektor aldri kommer i kontakt med en gjenstand.

Ved å bruke skjæreutstyr med "innebygd" kastreduksjon og å file og vedlikeholde sagkjedet korrekt, kan effekten av et kast reduseres.

Sverd

Jo mindre neseradius, desto lavere risiko for kast.

Sagkjede

Et sagkjede er oppbygd av et antall ulike lenker som leveres både i standard- og kastredusert utførelse.

VIGTIG! Ingen sagkjeder eliminerer risikoen for kast.



ADVARSEL! Enhver kontakt med en roterende sagkjede kan forårsake svære alvorlige skader.

Noen uttrykk som spesifiserer sverd og sagkjede

For å opprettholde alle sikkerhetsdetaljer på skjæreutstyret, bør du erstatte slitte og skadde sverd-/kjedekombinasjoner med et sverd og et kjede som Husqvarna anbefaler. Se anvisninger under overskriften Tekniske data for informasjon om hvilke sverd-/kjedekombinasjoner vi anbefaler.

Sverd

- Lengde (tommer/cm)
- Antall tenner i nesehjulet (T).
- Sagkjededeling (=pitch) (tommer). Sverdetts nesehjul og motorsagens kjededrivhjul må være tilpasset til avstanden mellom drivlenkene. (14)
- Antall drivlenker (stk). Hver sverdlengde gir, i kombinasjon med sagkjededeling og antall tenner i nesehjulet, et bestemt antall drivlenker.
- Sverdsporbredde (tommer/mm). Sverdsporets bredde må være tilpasset til bredden på sagkjedets drivlenke.
- Sagkjedehull og hull for kjedestrømmertapp. Sverdet må være tilpasset motorsagens konstruksjon. (15)

Sagkjede

- Sagkjededeling (=pitch) (tommer) (14)
- Drivlenkebredde (mm/tommer) (16)
- Drivlenkeantall (stk.) (17)

GENERELLE SIKKERHETSINSTRUKSJONER

Filing og justering av understilling for sagkjede

Generelt angående filing av skjærtenner

- Sag aldri med sløvt sagkjede. Et tegn på at sagkjedet er sløvt er at du må presse skjæreutstyret gjennom treet og at tresponene er meget små. Et meget sløvt sagkjede gir ikke trespon i hele tatt. Det gir bare sagflis.
- Et godt skjerpet sagkjede eter seg gjennom treet selv og gir trespon som er store og lange.
- Den sagende delen av et sagkjede kalles tannlenke og består av en skjærtann (A) og en rytter (B). Høydeavstanden mellom disse avgjør skjæredybden. (18)

Ved filing av skjærtenner er det fire mål som må tas hensyn til.

- 1 Filingvinkel (19)
- 2 Støtvinkel (20)
- 3 Filstilling (21)
- 4 Rundfildiameter

Det er meget vanskelig å file sagkjedet korrekt uten hjelpemiddel. Derfor anbefaler vi at du bruker vår filmal. Den sikrer at sagkjedet files med optimal kastreduksjon og skjærekapasitet. (22)

Se anvisninger under øvrskriften Tekniske data angående hvilke data som gjelder ved filing av din motorsags sagkjede.



ADVARSEL! Avvik fra filingsinstruksjonen gir en betydelig større fare for kast.

Filing av skjærtenner



Til filing av skjærtenner trengs en rundfil og en filmal. Se anvisninger under overskriften Tekniske data angående hvilken rundfildiameter og hvilken filmal som anbefales til sagkjedet på din motorsag.

- Kontroller at sagkjedet er stramt. For dårlig stramming gjør sagkjedet ustabil i sideretningen, noe som gjør det vanskelig å file korrekt.
- Fil alltid fra skjærtannens innside og utover. Løft filen når den føres tilbake. Fil alle tennene på den ene siden først, deretter snus motorsagen og tennene på den andre siden files.
- Fil slik at alle tennene blir like lange. Når det bare gjenstår 4 mm (5/32") av skjærtennenes lengde, er sagkjedet utslitt og må kastes. (23)

Generelt angående justering av understilling

- Ved filing av skjærtennene reduseres understillingen (=skjæredybden). For å beholde maksimal skjærekapasitet må rytteren senkes til anbefalt nivå.

Se anvisninger under overskriften Tekniske data angående hvor stor understillingen skal være på ditt din motorsags sagkjede. (24)



ADVARSEL! For stor understilling øker sagkjedets risiko for kast!

Justering av understilling



- Når understillingen justeres, må skjærtennene være nyfilt. Vi anbefaler at understillingen justeres hver tredje gang sagkjedet files. OBS! Denne anbefalingen forutsetter at skjærtennenes lengde ikke er filt unormalt langt ned.
- Til justering av understillingen trengs en flatfil og en understillingsmal. Vi anbefaler at du bruker vår filmal for understilling for å få riktig understillingsmål og riktig vinkel på rytteren.
- Legg filmalen over sagkjedet. Informasjon om bruk av filmalen er å finne på emballasjen. Bruk flatfilen for å file vekk overskuddet på den overskytende delen av rytteren. Understillingen er korrekt når det ikke merkes motstand når du drar filen over malen. (25)

Stramming av sagkjedet



ADVARSEL! Et for slakt sagkjede kan føre til at kjedet hopper av, noe som kan forårsake alvorlig, til og med livstruende skade.

Jo mer du bruker et sagkjede, jo lengre blir det. Det er viktig at skjæreutstyret justeres etter denne forandringen.

Strammingen av sagkjedet skal kontrolleres hver gang du fyller bensin. OBS! Et nytt sagkjede trenger en innkjøringsperiode der man kontrollerer sagkjedestrømmingen oftere.

Generelt skal sagkjedet strammes så hardt som mulig, men ikke hardere enn at det lett kan dras rundt for hånd. (26)

435 II, 440 II



- Løsne sverdmutteren som låser kopplingsdekselet/kjedebremsen. Bruk kombinøkkelen. Trekk deretter til sverdmutteren med håndkraft så hardt du kan. (27)
- Løft opp sverdspissen og stram sagkjedet ved å skru på sagkjedets strammeskrue med kombinøkkelen. Stram sagkjedet til det ikke er slakk på undersiden av sverdet. (28)

GENERELLE SIKKERHETSINSTRUKSJONER

- Bruk kombinøkkelen og trekk til sverdmutteren samtidig som du holder opp sverdspissen. Kontroller at sagkjedet lett kan dras rundt for hånd og at det ikke henger ned på undersiden av sverdet. **(29)**

Sagkjedets strammeskruer kan ha ulike plasseringer på våre motorsagmodeller. Se anvisninger under overskriften Hva er hva? angående hvor den sitter på din modell.

435e II, 440e II



- Løs ut knotten ved å folde den ut. **(30)**
- Drei knotten mot urviseren for å løsne stangdekslet. **(31)**
- Juster kjedestrømmingen ved å dreie hjulet ned (+) for økt strømming og opp (-) for å slippe opp strømmingen. **(32)**
- Trekk til stangkoplingen ved å dreie knotten med urviseren. **(33)**
- Fold inn knotten igjen for å låse strømmingen. **(34)**

Smøring av skjæreutstyret



ADVARSEL! For dårlig smøring av skjæreutstyret kan resultere i sagkjedebrudd som kan medføre alvorlig, til og med livstruende skade.

Sagkjedeolje

En sagkjedeolje må ha god vedheft til kjedet samt ha gode flyteegenskaper uansett om det er varmt eller kaldt.

Som motorsagsprodusent har vi utviklet en optimal sagkjedeolje som gjennom sin vegetabiliske base dessuten er biologisk nedbrytbar. Vi anbefaler deg å bruke vår olje for å maksimere både sagkjedets og miljøets levetid. Dersom vår sagkjedeolje ikke er tilgjengelig, anbefales vanlig sagkjedeolje.

Bruk aldri spillolje! Den er skadelig både for deg, maskinen og miljøet.

VIGTIG! Ved bruk av vegetabilisk sagkjedeolje, demonter og rengjør sverdspor og sagkjede før lengre tids oppbevaring. Ellers er det fare for at sagkjedeoljen oksiderer, hvilket medfører at sagkjedet blir stivt og sverdet nesehjul setter seg fast.

Påfylling av sagkjedeolje

- Alle motorsagmodellene våre har automatisk smøring av sagkjedet. En del av modellene kan også fås med justerbar oljetilførsel.
- Sagkjedeoljetanken og bensintanken er dimensjonert slik at bensinen skal ta slutt før sagkjedeoljen tar slutt. Denne sikkerhetsfunksjonen forutsetter imidlertid at man bruker korrekt sagkjedeolje (en olje som er for tynn og lettflytende tømmer oljetanken før bensinen

tar slutt), at man følger vår anbefalte forgasserinnstilling (en for "mager" innstilling gjør at bensinen holder lenger enn kjedeoljen) og at man følger våre anbefalinger når det gjelder skjæreutstyr (et sverd som er for langt krever mer kjedeolje).

Kontroll av sagkjedesmøring

- Kontroller sagkjedesmøringen hver gang du fyller brennstoff.

Rett sverdspissen mot noe fast og lyst i en avstand på ca 20 cm (8 tum). Etter 1 minuts kjøring på 3/4 gass skal det vises en tydelig oljestrøpe på den lyse flaten.

Hvis sagkjedesmøringen ikke fungerer:

- Kontroller at sverdet sagkjedeoljekanal er åpen. Rengjør ved behov. **(35)**
- Kontroller at sverdsporet er rent. Rengjør ved behov. **(36)**
- Kontroller at sverdet nesehjul går lett og at nesehulets smørehull er åpent. Rengjør og smør ved behov. **(37)**

Hvis sagkjedesmøringen ikke fungerer etter gjennomgang av de kontrollene og tiltakene som er nevnt ovenfor, må du oppsøke serviceverksted.

Kjededrivhjul



Koplingstrømmelen er utstyrt med et av følgende kjededrivhjul:

- A Spur-drivhjul (kjededrivhjulet loddet fast på trommelen)
- B Rim-drivhjul (utskiftbart) **(38)**

Kontroller slitasjenivået på kjededrivhjulet regelmessig. Skift det hvis det er unormalt slitt. Kjededrivhjul skal skiftes hver gang sagkjedet skiftes.

Smøring av nålenger



Begge typer kjededrivhjul har et nålenger ved utgående aksel som må smøres regelmessig (1 gang ukentlig). OBS! Bruk lagerfett av god kvalitet eller motorolje.

Se anvisninger under overskriften Vedlikehold, Smøring av nålenger

Kontroll av slitasje på skjæreutstyret



Kontroller sagkjedet hver dag med tanke på:

- Synlige sprekker i nagler og lenker.
- Om sagkjedet er stivt.
- Om nagler og lenker er unormalt kraftig slitt.

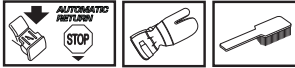
GENERELLE SIKKERHETSINSTRUKSJONER

Skift sagkjedet hvis det oppviser ett eller flere av ovennevnte punkter.

Vi anbefaler at det brukes et nytt sagkjede som mål på hvor slitt det sagkjedet du nå bruker er.

Fil slik at alle tennene blir like lange. Når det bare gjenstår 4 mm (5/32") av skjærtennenes lengde, er sagkjedet utslitt og må kastes. (23)

Sverd



Kontroller regelmessig:

- Om det har dannet seg grader på utsidene av sverdbommene. Fil bort ved behov.
- Om sverdsporet er unormalt slitt. Skift sverd ved behov.
- Om sverdnesen er unormalt eller ujevnt slitt. Hvis det har dannet seg en "grop" der sverdnesens radius slutter på sverdets underside, har du kjørt med for slakt sagkjede.
- For maksimal levetid bør sverdet snus regelmessig.



ADVARSEL! De fleste motorsagsulykker inntreffer når sagkjedet treffer brukeren.

Bruk personlig verneutstyr. Se anvisninger under overskriften "Personlig verneutstyr".

Unngå all bruk som du ikke føler deg tilstrekkelig kvalifisert for. Se anvisninger under overskriftene Personlig verneutstyr, Kastforebyggende tiltak, Skjæreutstyr og Generelle arbeidsinstruksjoner.

Unngå situasjoner der det er risiko for kast. Se anvisninger under overskriften Maskinens sikkerhetsutstyr.

Bruk anbefalt skjæreutstyr og kontroller at det er i god stand. Se anvisninger under overskriften Generelle arbeidsinstruksjoner.

Kontroller at motorsagens sikkerhetsutstyr fungerer. Se anvisninger under Generelle arbeidsinstruksjoner og Generelle sikkerhetsinstruksjoner.

MONTERING

Montering av sverd og kjede



ADVARSEL! Bruk hansker ved all håndtering av kjedet.

435 II, 440 II

- **Kontroller at kjedebremsen ikke er i utløst stilling ved å føre kjedebremsens kastbeskyttelse mot den fremre håndtaksbøylen. (39)**
- Skru ut sverdmutteren og demonter kopplingsdekselet (kjedebremsen). Fjern transportbeskyttelsen (A). **(40)**
- Monter sverdet over sverdbolten. Plasser sverdet i bakerste stilling. Legg kjedet over drivhjulet og i sverdsporet. Begynn på oversiden av sverdet. **(41)**
- Kontroller at eggen på tannlenkene er vendt forover på oversiden av sverdet.
- Monter kopplingsdekselet og pass på å tilpasse kjedestrammertappen til sverdets uttak. Kontroller at kjedets drivledd passer på kjededrivhjulet, og at kjedet ligger rett i sverdsporet. Trekk til sverdmutteren med fingrene.
- Stram kjedet ved å skru kjedestrammerskruen med klokken med kombinøkkelen. Kjedet skal strammes til det ikke henger ned på undersiden av sverdet. **(42)**
- Kjedet er korrekt strammet når det ikke henger ned på undersiden av sverdet og fremdeles kan dras lett rundt for hånd. Trekk til sverdmutteren med kombinøkkelen samtidig som sverdspissen holdes oppe. **(43)**
- På et nytt kjede må kjedespenningen kontrolleres ofte til kjedet er kjørt inn. Kontroller kjedespenningen regelmessig. Riktig kjede betyr god skjærekapasitet og lang levetid. **(44)**

435e II, 440e II

- **Kontroller at kjedebremsen ikke er i utløst stilling ved å føre kjedebremsens kastbeskyttelse mot den fremre håndtaksbøylen. (45)**
- Løsne kjedestrammerhjulet og ta av kopplingsdekselet (kjedebremsen). Ta av transportbeskyttelsen. (A) **(46)**
- Monter sverdet over sverdboltene. Plasser sverdet i bakerste stilling. Legg kjedet over drivhjulet og i sverdsporet. Begynn på oversiden av sverdet. **(41)**
- Kontroller at eggen på tannlenkene er vendt forover på oversiden av sverdet.
- Monter kopplingsdekselet og pass på å tilpasse kjedestrammertappen til sverdets uttak. Kontroller at kjedets drivledd passer på kjededrivhjulet, og at kjedet ligger rett i sverdsporet.

- Stram kjedet ved å dreie hjulet ned (+). Kjedet skal strammes til det ikke henger ned fra undersiden av stangen. **(32)**
- Kjedet er riktig strammet når det ikke henger ned fra undersiden av stangen, men fortsatt kan dreies lett for hånd. Hold opp spissen av stangen og trekk til stangkoplingen ved å dreie knotten med urviseren. **(33)**
- På et nytt kjede må kjedespenningen kontrolleres ofte til kjedet er kjørt inn. Kontroller kjedespenningen regelmessig. Riktig kjede betyr god skjærekapasitet og lang levetid. **(44)**

Montering av barkstøtte

For montering av barkstøtte, kontakt ditt serviceverksted. **(47)**

BRENNSTOFFHÅNDTERING

Brennstoff

Bemerk! Maskinen er utstyrt med totaktsmotor og må alltid kjøres på en blanding av bensin og totaktsolje. For å sikre riktig blandingsforhold, er det viktig at oljemengden som skal blandes måles nøyaktig. Ved blanding av små mengder brennstoff vil selv små feil i oljemengden virke kraftig inn på blandingsforholdet.



Bensin



- Bruk blyfri eller blyholdig kvalitetsbensin.
- Anbefalt laveste oktantall er 90 (RON). Hvis man kjører motoren på bensin med lavere oktantall enn 90, kan det medføre banking. Dette medfører økt motortemperatur og økt lagerbelastning, som kan resultere i alvorlige motorhavarier.
- Ved arbeid med kontinuerlig høye turtall (f.eks. kvinging), anbefales høyere oktantall.

Miljøbensin

HUSQVARNA anbefaler bruk av miljøtilpasset bensin (såkalt alkylatbensin), enten Aspen forhåndsblandet totaktsbensin eller miljøbensin for firetaktsmotorer blandet med totaktsolje totaktsolje som beskrevet under. Vær klar over at det kan kreves forgasserjustering ved bytte av bensintype (se anvisninger under overskriften Forgasser).

Etanoldrivstoff

HUSQVARNA anbefaler å bruke kommersielt tilgjengelig drivstoff med et etanolinnhold på maksimalt 10 %.

Innkjøring

Kjøring på altfor høyt turtall i lengre perioder skal unngås de første 10 timene.

Totaktsolje

- For beste resultat og yteevne, bruk HUSQVARNA totakts motorolje som er lagd spesielt for våre luftkjølte totaktsmotorer.
- Bruk aldri totaktsolje beregnet til vannkjølte påhengsmotorer, såkalt outboardoil (med betegnelsen TCW).
- Bruk aldri olje beregnet på firetaktsmotorer.
- Lav oljekvalitet eller for fet olje/bensinblanding kan svekke katalysatorens funksjon og forkorte dens levetid.

Blandingsforhold

1:50 (2 %) med HUSQVARNA totaktsolje.

1:33 (3 %) med andre oljer lags for luftkjølte totaktsmotorer klassifisert for JASO FB/ISO EGB.

Bensin, liter	Totaktsolje, liter	
	2% (1:50)	3% (1:33)
5	0,10	0,15
10	0,20	0,30
15	0,30	0,45
20	0,40	0,60

Blanding

- Bensin og olje må alltid blandes i en ren beholder som er godkjent for bensin.
- Begynn alltid med å helle i halvparten av bensinen som skal blandes. Hell deretter i hele oljemengden. Bland (rist) brennstoffblandingen. Fyll på resten av bensinen.
- Bland (rist) brennstoffblandingen omhyggelig før den fylles over på maskinens brennstofftank.
- Bland ikke drivstoff for mer enn maks. 1 måneds behov.
- Hvis maskinen ikke brukes over en lengre periode, skal brennstofftanken tømmes og rengjøres.

Kjedeeolje

- Til smøring anbefaler en spesiell olje (kjedesmørelje) med god hefteevne. **(48)**
- Bruk aldri spillolje. Dette medfører skader på oljepumpe, sverd og kjede.
- Det er viktig å bruke riktig oljetype i forhold til lufttemperaturen (riktig viskositet).
- Lufttemperaturer under 0°C gjør en del oljer tregtflytende. Dette kan medføre overbelastning av oljepumpen, med skader på pumpens deler som følge.
- Kontakt serviceverkstedet ved valg av kjedesmørelje.

BRENNSTOFFHÅNDTERING

Fylling av brennstoff



ADVARSEL! Følgende forholdsregler reduserer brannfaren:

Det må ikke røykes og heller ikke plasseres varme gjenstander i nærheten av brennstoffet.

Stans motoren og la den avkjøles noen minutter før brennstoff fylles på.

Åpne tanklokket sakte ved påfylling av brennstoff slik at et eventuelt overtrykk forsvinner sakte.

Trekk tanklokket godt til etter bruk.

Flytt alltid maskinen bort fra stedet der drivstoff er påfylt, før maskinen startes.

Tørk rent rundt tanklokket. Rengjør brennstoff- og kjedeoljetanken regelmessig. Brennstofffilteret skal skiftes minst en gang årlig. Forurensninger i tankene fører til driftsforstyrrelser. Påse at brennstoffet er godt blandet ved å riste beholderen før tanken fylles. Volumet på kjedeolje- og brennstofftank er vel avpasset til hverandre. Fyll derfor alltid begge tankene samtidig. (48)



ADVARSEL! Brennstoff og brennstoffdamp er meget brannfarlig. Vær forsiktig ved håndtering av brennstoff og kjedeolje. Husk brann-, eksplosjons- og innåndingsfare.

Fjern drivstofflokket og kjedeoljelokket

- Trykk ned den mønstrede delen av vipespaken og løft til loddrett stilling. (49)
- Løsne lokket ved å dreie det mot urviseren. (50)
- Fjern lokket (51)

Monter drivstofflokket og kjedeoljelokket

- Sett inn lokket med vipespaken i loddrett stilling. (52)
- Trekk til lokket ved å dreie det med urviseren. (53)
- Trykk ned vipespaken igjen. (54)

VIGTIG! Lokk som er skadet må alltid skiftes.

Brennstoffsikkerhet

- Fyll aldri brennstoff på maskinen når motoren er i drift.
- Sørg for god ventilasjon ved tanking og blanding av brennstoff (bensin og totaktolje).
- Flytt maskinen minst 3 m fra tankingsstedet før du starter den.
- Start aldri maskinen:
 - Hvis du har sølt brennstoff eller kjedeolje på maskinen. Tørk av maskinen og la bensinrestene fordampe.
 - Hvis du har sølt brennstoff på deg selv eller klærne dine, skift klær. Vask de kroppsdeler som har vært i kontakt med brennstoff. Bruk såpe og vann.
 - Hvis maskinen lekker brennstoff. Kontroller regelmessig med tanke på lekkasje fra tanklokk og brennstoffledninger.



ADVARSEL! Bruk aldri en maskin med synlige skader på tennpluggen og tenningskabel. Det er risiko for gnistdannelse, hvilket kan forårsake brann.

Transport og oppbevaring

- Oppbevar motorsagen og brennstoffet slik at eventuelle lekkasjer og damper ikke står i fare for å komme i kontakt med gnister eller åpen ild. For eksempel el.motorsager, el.motore, el.kontakter/strømbrytere, varmekjeler eller lignende.
- Brennstoff skal alltid oppbevares i beholdere som er spesielt beregnet og godkjent for dette.
- Ved lengre tids oppbevaring og transport av motorsag må brennstoff- og sagkjedeoljetanken tømmes. Hør med nærmeste bensinstasjon hvor du kan bli kvitt overflødig brennstoff og sagkjedeolje.
- Skjæreutstyrets transportbeskyttelse slår øøtid være montert under transport eller oppbevaring av maskinen for å unngå kontakt med det skarpe kjedet i vanvare. Selv et kjede som ikke beveger seg kan forårsake alvorlige skader åp brukeren eller andre som kommer til kjedet.
- Fjern tennpluggen fra tennpluggen. Aktiver kjedebremsen.
- Sikre maskinen under transport.

Langtids oppbevaring

Tøm bensin- og oljetankene på et godt ventilert sted. Oppbevar bensinen i godkjente canner på et sikkert sted. Monter sverdbeskyttelsen. Rengjør maskinen. Se anvisninger under overskriften Vedlikeholdsskjema.

Påse at maskinen er ordentlig rengjort og at fullstendig service er utført før langtids oppbevaring.

START OG STOPP

Start og stopp



ADVARSEL! Før start må man legge merke til følgende:

Kjedebremsen skal alltid være på når motorsagen startes for å redusere risikoen for kontakt med det roterende kjedet ved start.

Ikke start motorsagen uten at sverd, sagkjede og samtlige deksler er montert. Ellers kan koplingen løsne og forårsake personskade.

Plasser maskinen på et fast underlag. Sørg for at du står stødig og at kjedet ikke kan hekte seg opp i noe.

Sørg for at ikke uvedkommende oppholder seg i arbeidsområdet.

Surr aldri startlinen rundt hånden.

Start

Kjedebremsen skal være satt på når motorsagen startes. Aktiver bremsen ved å føre kastbeskyttelsen forover. (55)

Kald motor

Startposisjon, 1: Sett start/stopp-kontakten i chokestilling ved å dra den røde spaken ut og opp. (56)

Brennstoffpumpe (2): Trykk på brennstoffpumpens gummiblære gjentatte ganger til brennstoff fyller blæren (minst 6 ganger). Blæren behøver ikke å fylles helt. (56)

Grip det fremre håndtaket med venstre hånd. Sett høyre fot på underdelen av det bakre håndtaket, og press motorsagen mot bakken. (57)

Trekk i starthåndtaket, 3: Trekk i startsnoren med høyre hånd, og trekk startsnoren langsam ut til du merker motstand (starthakene griper inn) og trekk deretter raskt og bestemt til motoren starter.

Trykk ned den røde chokeregulatoren, 4: Så snart motoren tenner, noe som kan høres som en "puff"-lyd, trykker du ned den røde chokehendelen.

Trekk i starthåndtaket (5): Fortsett å dra bestemt i startsnoren til motoren starter.

Varm motor

Startposisjon, 1: Riktig choke/startgass-stilling for varmstart oppnås ved først å bevege chokehendelen ved å trekke den røde hendelen ut og opp. (56)

Brennstoffpumpe (2): Trykk på brennstoffpumpens gummiblære gjentatte ganger til brennstoff fyller blæren (minst 6 ganger). Blæren behøver ikke å fylles helt. (56)

Trykk ned den røde chokeregulatoren, 3: Dette kobler ut choken, som ikke er nødvendig når motorsagen startes med varm motor. Bevegelsen av start/stopp-bryteren kobler imidlertid inn høy tomgang, slik at det blir lettere å varmstarte motoren.

Trekk i starthåndtaket, 4: Grip det fremre håndtaket med venstre hånd. Sett høyre fot på underdelen av det bakre håndtaket, og press motorsagen mot bakken. (57)

Trekk i startsnoren med høyre hånd, og trekk startsnoren langsam ut til du merker motstand (starthakene griper inn) og trekk deretter raskt og bestemt til motoren starter.

For di kjedebremsen fremdeles er innkople t må motorens turtall ned til tomgang så raskt som mulig, noe som oppnås ved å kople ut gassperren. Utkopling skjer ved å gi lett gass med gasstriggeren. På denne måten unngår du unødig slitasje på kopling, koplingstrommel og bremsebånd. La maskinen gå på tomgang noen sekunder før man gir full gass.

På sagens bakkant (A) er det en forenklet startpåminnelse med bilder som beskriver respektive steg. (57)

OBS! Dra ikke startsnoren helt ut og slipp heller ikke håndtaket fra helt utdratt stilling. Dette kan skade maskinen.

Bemerk! Still kjedebremsen tilbake ved å føre kastbeskyttelsen mot håndtaksbøylen. Dermed er motorsagen klar til bruk.



ADVARSEL! Langvarig innånding av motorens avgasser, kjedeoljetåke og støv fra sagspon kan utgjøre en helsefare.

- Start aldri motorsagen uten at sverd, sagkjede og samtlige deksler er korrekt montert. Se anvisninger under overskriften Montering Uten sverd og kjede montert på motorsagen kan koplingen løsne og forårsake alvorlige skader.
- Kjedebremsen skal alltid være på når motorsagen startes. Se anvisninger under overskriften Start og stopp. Motorsagen må aldri fallstartes. Denne metoden er svært farlig, ettersom det er lett å miste kontrollen over motorsagen. (55)
- Start aldri maskinen innendørs. Vær bevisst på faren ved innånding av motorens avgasser.
- Pass på omgivelsene og forviss deg om at det ikke er fare for at menneske eller dyr kan komme i kontakt med skjæreutstyr.
- Hold alltid motorsagen med begge hender. Hold høyre hånd på det bakre håndtaket og venstre hånd på det fremre håndtaket. **Alle brukere, både høyre- og venstrehandte, skal bruke dette grepet.** Hold et fast grep slik at tomlene og fingrene lukker om motorsagens håndtak.

Stopp

Motoern stanses ved at start/stopp-hendelen trykkes ned. (59)

OBS! Start/Stopp-kontakten går automatisk tilbake til kjørestilling. For å unngå ufrivillig start, må tennpluggetten derfor alltid fjernes fra tennpluggen når maskinen ikke er under tilsyn. (60)

ARBEIDSTEKNIKK

Før hver gangs bruk: (61)

- 1 Kontroller at kjedebremsen fungerer ordentlig og er uskadd.
- 2 Kontroller at bakre høyrehåndsvern ikke er skadd.
- 3 Kontroller at gassregulatorspærren fungerer ordentlig og er uskadd.
- 4 Kontroller at stoppebryteren fungerer ordentlig og er uskadd.
- 5 Kontroller at samtlige håndtak er frie for olje.
- 6 Kontroller at avvibringssystemet fungerer og er uskadd.
- 7 Kontroller at lyddemperen sitter fast og er uskadd.
- 8 Kontroller at motorsagens samtlige detaljer er trukket til og at de ikke er skadd eller mangler.
- 9 Kontroller at kjedefangeren sitter på plass og er uskadd.
- 10 Kontroller kjedestrømmingen.

Generelle arbeidsinstruksjoner

VIGTIG!

Dette avsnittet behandler grunnleggende sikkerhetsregler for arbeid med motorsag. Denne informasjonen kan aldri erstatte den kunnskap en profesjonell bruker besitter i form av opplæring og praktisk erfaring. Når du kommer ut for en situasjon som gjør deg usikker på fortsatt bruk, skal du rådføre deg med en ekspert. Henvend deg til din motorsagforhandler, ditt serviceverksted eller en erfaren motorsagbruker. Unngå all bruk som du ikke føler deg tilstrekkelig kvalifisert til!

Før bruk av motorsagen må du forstå hva kast innebærer og hvordan de kan unngås. Se anvisninger under overskriften Kastforebyggende tiltak.

Før bruk av motorsagen må du forstå forskjellen på å sage med sverdetts underside og overside. Se anvisninger under overskriften Kastforebyggende tiltak og Maskinens sikkerhetsutstyr.

Bruk personlig verneutstyr. Se anvisninger under overskriften "Personlig verneutstyr".

Grunnleggende sikkerhetsregler

- 1 Pass på omgivelsene:
 - Før å være sikker på at ikke mennesker, dyr eller annet kan påvirke din kontroll over maskinen.
 - Før å hindre at de ovennevnte risikerer å komme i kontakt med sagkjedet eller treffes av et fallende tre og bli skadet.
- OBS! Følg de ovennevnte punktene, men bruk aldri en motorsag uten mulighet til å kunne påkalle hjelp ved en ulykke.
- 2 Unngå bruk i dårlig vær. Slik som tett tåke, kraftig regn, sterk vind, kraftig kulde osv. Å arbeide i dårlig vær er slitsomt og kan skape farlige omstendigheter, for eksempel glatt underlag, påvirkning av treets fallretning osv.

- 3 Vær ytterst forsiktig ved avsaging av smågreiner og unngå å sage i busker (= mange smågreiner samtidig). Smågreiner kan etter avsaging feste seg i sagkjedet, slynges mot deg og forårsake alvorlig personskade.
- 4 Sørg for at du kan gå og stå sikkert. Se etter eventuelle hinder ved uventet forflytting (rotter, steiner, greiner, groper, forhøyninger osv). Vær meget forsiktig ved arbeid i skrånende terreng.
- 5 Vær ytterst forsiktig ved saging i trær som står i spenn. Et spent tre kan både før og etter gjennomsaging sprette tilbake til normalstilling. Feil plassering av deg og sagskåret kan føre til at treet treffer deg eller maskinen slik at du mister kontrollen. I begge tilfeller kan det medføre alvorlig personskade.



- 6 Ved flytting skal sagkjedet låses med kjedebremsen og motoren slås av. Bær motorsagen med sverd og sagkjede bakover. Ved lengre forflyttinger og transport skal sverdbeskyttelsen brukes.
- 7 Når du setter motorsagen ned på bakken, lås sagkjedet med kjedebremsen og sørg for å ha tilsyn med maskinen. Ved lengre tids "parkering" skal motoren slås av.



ADVARSEL! Noen ganger kan fliser sette seg fast i clutchdekslet og føre til at kjedet setter seg fast. Stans alltid maskinen ved rengjøring.

Grunnregler

- 1 Ved å forstå hva kast innebærer og hvordan det oppstår, kan du redusere eller eliminere overraskelsesmomentet. Overraskelser øker ulykkesrisikoen. De fleste kast er små, men en del er lynraske og meget voldsomme.
- 2 Hold alltid motorsagen i et stødig grep med høyre hånd på det bakerste håndtaket og venstre hånd på det fremste håndtaket. Tomler og fingrer skal omslutte håndtakene. Alle brukere, uansett om de er høyre- eller venstrehendte, skal bruke dette grepet. Med dette grepet kan du best redusere effekten av et kast og samtidig beholde kontrollen over motorsagen.
Slipp ikke håndtakene!
- 3 De fleste kastulykker inntreffer ved kvisting. Sørg for at du står stødig og at ingenting på bakken kan få deg til å snuble eller miste balansen.

Er du uaktsom, kan sverdetts kastrisikosektor treffe en grein, et tre som ligger i nærheten eller et annet objekt og fremkalle et kast.

Ha kontroll over arbeidsstykket. Hvis stykkene du sager er små og lette, kan de sette seg fast i sagkjedet og slynges mot deg. Selv om dette som sådan ikke behøver å være farlig, kan du bli overrasket og miste kontrollen over sagen. Sag aldri stablede stokker eller greiner uten å trekke dem fra hverandre først. Sag

ARBEIDSTEKNIKK

bare én stokk eller ett stykke av gangen. Fjern de avsgade stykkene for å holde arbeidsområdet sikkert. (62)

- 4 **Bruk aldri motorsagen over skulderhøyde og unngå å sage med sverdspissen. Bruk aldri motorsagen med ethåndsgrep!** (63)
- 5 For å ha full kontroll over motorsagen, kreves det at du står stabilt. Arbeid aldri stående på en stige, oppe i et tre eller der du ikke har et stabilt underlag å stå på. (64)
- 6 Sag med høy kjedehastighet, dvs. på full gass.
- 7 Vær ytterst forsiktig når du sager med oversiden av sverdet, dvs. når du sager fra objektets underside. Dette kalles å sage med skyvende sagkjede. Sagkjedet skyver da motorsagen bakover mot brukeren. Hvis sagkjedet klemmes fast, kan motorsagen kastes bakover mot deg. (65)
- 8 Hvis brukeren ikke holder imot kreftene i motorsagen, er det fare for at motorsagen skyves så langt bakover at sverdets kastrisikosektor er den eneste kontakten med treet, noe som utløser et kast. (66)
Å sage med sverdets underside, dvs. å sage fra sagobjektets overside og ned, kalles å sage med dragende sagkjede. Da dras motorsagen mot treet, og motorsagkroppens forkant blir en naturlig støtte mot stammen. Saging med dragende sagkjede gir brukeren bedre kontroll over motorsagen og over hvor sverdets kastrisikosektor befinner seg. (67)
- 9 Følg file- og vedlikeholdsinstruksjonene for sverd og sagkjede. Ved skifte av sverd og sagkjede må det bare brukes kombinasjoner anbefalt av oss. Se avsnitt Skjæreutstyr og kapitlet Tekniske data.

Grunnleggende sageteknikk



ADVARSEL! Bruk aldri en motorsag ved å holde den med én hånd. En motorsag er ikke sikkert kontrollert med én hånd. Ha alltid et fast, stabilt grep om håndtakene med begge hender.

Generelt

- Bruk alltid full gass ved saging!
- Slipp motoren ned på tomgangsturtall etter hvert sagskår (lengre tids full gass uten at motoren belastes, dvs. uten den motstanden motoren får fra sagkjedet under saging, gir alvorlig motorskade).
- Å sage ovenfra = Å sage med "dragende" sagkjede.
- Å sage nedenfra = Å sage med "skyvende" sagkjede.

Saging med skyvende sagkjede innebærer økt kastrisiko. Se anvisninger under overskriften Kastforebyggende tiltak.

Betegnelser

Kapping = Generell betegnelse for gjennomsaging av tre.

Kvisting = Kappe av greiner fra et felt tre.

Splintring = Når objektet du skal kappe brytes av før sagsnittet er fullført.

1155355-38 Rev.3 2014-11-24

Ved hver kapping er det fem meget viktige faktorer å ta hensyn til:

- 1 Skjæreutstyret må ikke klemmes fast i sagsnittet. (68)
- 2 Sageobjektet må ikke splintres. (69)
- 3 Sagkjedet må ikke treffe bakken eller andre gjenstander under og etter gjennomsagingen. (70)
- 4 Foreligger det risiko for kast? (4)
- 5 Kan terrenget og omgivelsenes utseende påvirke hvor stabilt og sikkert du kan gå og stå?

Det er to grunner til at sagkjedet klemmes fast eller at sagobjektet splintres: Hva slags støtte sagobjektet har før og etter kapping, og om sagobjektet står i spenn.

Disse uønskede situasjonene kan i de fleste tilfeller unngås ved at kappingen gjøres i to trinn, både fra over- og undersiden. Det gjelder å nøytralisere sagobjektets "vilje" til å klemme fast sagkjedet eller splintres.

VIGTIG! Hvis sagkjedet har klemt seg fast i sagsnittet: stans motoren! Forsøk ikke å rykke løs motorsagen. Hvis du gjør dette, kan du skade deg på sagkjedet når motorsagen plutselig løsner. Bruk hevarm for å få løs motorsagen.

Nedenfor følger en teoretisk gjennomgang av hvordan de vanligste situasjonene en motorsagsbruker kan komme ut for skal håndteres.

Kvisting

Ved kvisting av tykkere greiner følges samme prinsipp som ved kapping.

Vanskelige greiner kappes bit for bit. (71)

Kapping



ADVARSEL! Forsøk aldri å sage stokker når de er stablet eller når et par stokker ligger tett sammen. Slik fremgangsmåte øker drastisk risikoen for kast, som kan føre til alvorlig eller livstruende skade.

Hvis du har en stabel stokker, skal hver stokk du vil kappe tas bort fra stabelen, plasseres på en sagkrakk og kappes for seg.

Fjern de kappede stykkene fra arbeidsområdet. Lar du dem bli værende i arbeidsområdet, øker du både risikoen for å få et kast i vanvare og risikoen for å miste balansen når du arbeider. (72)

Stokken ligger på bakken. Det er ingen fare for at sagkjedet skal klemmes fast eller at sagobjektet skal splintres. Det er imidlertid stor fare for at sagkjedet treffer bakken etter gjennomsaging. (73)

Sag ovenfra gjennom hele stokken. Vær forsiktig på slutten av sagsnittet for å unngå at sagkjedet treffer bakken. Behold full gass, men vær forberedt på hva som vil skje. (74)

Hvis det er mulig (= kan stokken roteres?) bør sagsnittet avsluttes 2/3 inn i stokken.

Roter stokken slik at den resterende 1/3 kan avsluttes ovenfra. (75)

ARBEIDSTEKNIKK

Stokken har støtte i den ene enden. Stor fare for splintring. (76)

Begynn med å sage nedenfra (ca 1/3 av stokkens diameter).

Avslutt ovenfra slik at sagskårene møtes. (77)

Stokken har støtte i begge ender. Stor fare for fastklemming av sagkjedet. (78)

Begynn med å sage ovenfra (ca 1/3 av stokkens diameter).

Avslutt nedenfra slik at sagskårene møtes. (79)

Trefellingsteknikk

VIGTIG! Det kreves mye erfaring for å felle et tre. En uerfaren motorsagsbruker skal ikke felle trær. Unngå all bruk du ikke føler deg kvalifisert til!

Sikkerhetsavstand

Sikkerhetsavstanden mellom treet som skal felles og nærmeste arbeidsplass skal være 2 1/2 trelengde. Påse at ingen befinner seg i denne "faresonen" før og under felling. (80)

Fallretning

Målsettingen ved felling av trær er å plassere treet på en slik måte at etterfølgende kvisting og kapping av stokken kan utføres i et mest mulig "enkelt" terreng. Man skal kunne gå og stå sikkert.

Etter å ha bestemt hvilken retning du vil at treet skal falle i, må du gjøre en vurdering av trets naturlige fallretning.

De faktorene som styrer dette er:

- Helling
- Krokethet
- Vindretning
- Konsentrasjon av greiner
- Eventuell snøtyngde
- Hindringer innen trets rekkevidde: f.eks. andre trær, kraftledninger, veier og bygninger.
- Se etter skader og råte i stammen, hvilket gjør det mer trolig at treet ryker og begynner å falle før du forventer dette.

Etter denne vurderingen kan man bli nødt til å la treet falle i sin naturlige fallretning, fordi det er umulig eller for farlig å forsøke å plassere det i den retningen man i utgangspunktet hadde tenkt.

En annen meget viktig faktor som ikke påvirker fallretningen men din personlige sikkerhet, er å kontrollere at treet ikke har skadde eller "døde" greiner som kan brytes av og skade deg under fellingsarbeidet.

Det som først og fremst må unngås er at det fallende treet blir sittende fast i et annet. Å ta ned et fastfelt tre er meget farlig, og det innebærer meget stor ulykkesrisiko. Se anvisninger under overskriften Håndtering av mislykket felling. (81)

VIGTIG! I kritiske fellingsøyeblikk må hørselsvernet felles opp med en gang sagingen har opphørt slik at det er mulig å fange opp lyder og varselsignaler.

Underkvisting og rettretvei

Kvist stammen opp til skulderhøyde. Det er sikrest å arbeide ovenfra og ned og ha stammen mellom deg og motorsagen. (82)

Rensk opp i vegetasjonen rundt treet og legg merke til eventuelle hinder (steiner, greiner, groper osv), slik at du har en lett tilgjengelig rettretvei når treet begynner å falle. Rettretveien bør ligge ca 135° på skrå bakover fra trets planlagte fallretning. (83)

- 1 Faresone
- 2 Rettretvei
- 3 Fallretning

Felling



ADVARSEL! Vi fraråder brukere som ikke er tilstrekkelig kvalifisert å felle et tre med en sverdlengde som er mindre enn stammens diameter!

Fellingen utføres med tre sagskår. Først sages styreskåret, som består av et overskjær og et underskjær, deretter avsluttes felling. Ved korrekt plassering av disse kan man styre fallretningen meget nøyaktig.

Styreskår

Ved utsaging av styreskåret begynner man med overskjæret. Sikt etter sagens fellingsretningsmerke (1) mot et mål lengre fram i terrenget, der du vil at treet skal falle (2). Stå på høyre side av treet, bak sagen, og sag med 'dragende' sagkjede.

Sag deretter underskjæret slik at det slutter på nøyaktig samme sted som overskjæret. (84)

Dybden på styreskåret skal være 1/4 av stammens diameter og vinkelen mellom over- og underskjær minst 45°.

Stedet hvor de to skjærene møtes kalles styreskårlinje. Denne linjen skal ligge nøyaktig horisontalt og samtidig danne en rett vinkel (90°) mot valgt fallretning. (85)

Hovedskår

Hovedskåret sages fra den andre siden av treet og må ligge helt horisontalt. Stå på venstre side av treet og sag med dragende sagkjede.

Plasser hovedskåret ca. 3-5 cm (1,5-2 tomm) over styreskårets horisontalplan. (86)

Sett i barkstøtten (hvis en slik er montert) bak brytekanen. Sag med full gass og før sagkjedet/sverdet sakte inn i treet. Vær på vakt mot at treet beveger seg i motsatt retning av det som er valgt som fallretning. Sett i en fellekile eller et brytejern i hovedskåret så snart skjæredybden tillater det.

Hovedskåret skal avsluttes parallelt med styreskårlinjen slik at avstanden mellom dem er minst 1/10 av stammens diameter. Den delen av stammen som ikke er gjennomsgad, kalles brytekan.

Brytekanten fungerer som et hengsel som styrer retningen til det fallende treet. (87)

Hvis brytekanten er for liten eller gjennomsaget eller hvis styreskår og hovedskår er feil plassert, mister man all kontroll over treet fallretning. (88)

Når hovedskåret og styreskåret er ferdig, skal treet begynne å falle, enten av seg selv eller ved hjelp av fellekilen eller brytejern. (89)

Vi anbefaler bruk av en sverdlengde som er større enn treet diameter, slik at hoved- og styreskår kan utføres med et såkalt "enkelt sagskår". Se anvisninger under overskriften Tekniske data ang. hvilke sverdlengder som anbefales for din motorsagsmodell.

Det finnes metoder for felling av trær med en stammehøyde som er større enn sverdlengden. Disse medfører meget stor risiko for at sverdet kastrisikosektor kommer i kontakt med et objekt. (4)

Håndtering av mislykket felling

Nedtaking av et "fastfelt tre"

Å ta ned et fastfelt tre er meget farlig, og det innebærer meget stor ulykkesrisiko.

Forsøk aldri å sage ned det treet det andre treet har falt mot.

Arbeid aldri innenfor risikoområdet for hengende fastfellede trær. (90)

Den sikreste metoden er å bruke vinsj.

- Traktormonter
- Bærbar

Saging i trær og greiner som står i spenn

Forberedelser: Vurder hvilken retning spenningen går i og hvor den har sitt brytepunkt (dvs. det stedet hvor den ville brette hvis den ble spent ytterligere). (91)

Avgjør hvordan du frigjør spenningen på sikreste måte og om du klarer å gjøre det. Ved ekstra kompliserte situasjoner er den eneste sikre metoden å avstå fra bruk av motorsag og bruke vinsj.

Generelt gjelder:

Plasser deg slik at du ikke risikerer å bli truffet av treet/greinen når spenningen blir frigjort. (92)

Lag ett eller flere sagskår på eller i nærheten av brytepunktet. Sag så dypt inn og med så mange sagsnitt som er nødvendig for at spenningen i treet/greinen skal bli frigjort slik at treet/greinen "brytes" av ved brytepunktet. (93)

Sag aldri helt gjennom et objekt som står i spenn!

Hvis du må sage gjennom treet/kvisten, lag to eller tre skjær med 3 cm mellomrom og 3-5 cm dybde. (94)

Fortsett å sage dypere til treet/kvistens bending og spenning frigjøres. (95)

Sag treet/kvisten fra motsatt side etter at spenningen er frigjort.

Kastforebyggende tiltak



ADVARSEL! Kast kan forekomme lynraskt og være plutselige og voldssomme, og kan kaste motorsag, sverd og sagkjede mot brukeren. Hvis sagkjedet er i bevegelse når og hvis det treffer brukeren, kan det oppstå meget alvorlige og til og med livstruende skader. Det er nødvendig å forstå hva som forårsaker kast og at de kan unngås ved forsiktighet og riktig arbeidsteknikk.

Hva er kast?

Kast er betegnelsen på en plutselig reaksjon der motorsag og sverd kastes fra et objekt som har kommet i kontakt med den øvre kvadranten av sverdspissen, den såkalte kastrisikosektoren. (66)

Kast skjer alltid i samme retning som sverdplanet. Det mest vanlige er at motorsag og sverd kastes opp- og bakover mot brukeren. Andre kastretninger kan imidlertid forekomme, avhengig av hvilken stilling motorsagen har i det øyeblikket sverdet kastrisikosektor kommer i kontakt med et objekt. (7)

Kast kan bare inntreffe når sverdet kastrisikosektor kommer i kontakt med et objekt. (4)

Kvisting



ADVARSEL! De fleste kastulykker inntreffer ved kvisting. Ikke bruk sverdet kastrisikosektor. Vær ytterst forsiktig og unngå at sverdspissen kommer i kontakt med stokken, andre greiner eller gjenstander. Vær ytterst forsiktig med greiner som står i spenn. De kan fjære tilbake mot deg og gjøre at du mister kontrollen, hvilket kan medføre skader.

Sørg for at du kan gå og stå sikkert! Arbeid fra venstre side av stammen. Arbeid så nær motorsagen som mulig for beste kontroll. Når det er mulig skal du la tyngden av sagen hvile på stammen.

Flytt deg bare når du har stammen mellom deg og motorsagen.

Oppkapping av stammen til stokk

Se anvisninger under overskriften Generelle sageteknikk.

Generelt

Brukeren må kun utføre det vedlikeholds- og servicearbeidet som beskrives i denne bruksanvisningen. Mer omfattende inngrep skal utføres av et autorisert serviceverksted.

Forgasserjustering

Ditt Husqvarna-produkt er konstruert og produsert ifølge spesifikasjoner som reduserer de skadelige avgassene.

Funksjon

- Via gassregulatoren styrer forgasseren motorens turtall. I forgasseren blandes luft/brennstoff. Denne luft/brennstoffblandingen er justerbar. For å utnytte maskinens effekt maksimalt, må justeringen være korrekt.
- T-skruen regulerer gassregulatorens stilling på tomgang. Hvis T-skruen skrues med klokken, får man høyere tomgangsturtall, og skrues den mot klokken, får man lavere tomgangsturtall.

Grunninnstilling og innkjøring

Ved prøvekjøring på fabrikk grunninnstilles forgasseren. Finjustering må foretas av en fagkyndig person.

Anbefalt tomgangsturtall: Se kapitlet Tekniske data.

Finjustering av tomgang T

Tomgangen justeres med skruen merket T. Hvis justering er nødvendig, skrues tomgangsskruen T inn (med klokken) med motoren i gang til kjedet begynner å rotere. Åpne deretter (mot klokken) til kjedet står stille.

Tomgangsturtallet er korrekt innstilt når motoren arbeider jevnt i alle posisjoner med god margin til det turtallet hvor kjedet begynner å rotere.



ADVARSEL! Hvis tomgangsturtallet ikke kan justeres slik at kjedet står stille, kontaktes et serviceverksted. Bruk ikke motorsagen før den er korrekt innstilt eller reparert.

Riktig justert forgasser

En riktig justert forgasser innebærer at maskinen akselererer uten å nøle og at den putrer litt ved full gass. Videre må kjedet ikke rotere på tomgang. Et L-munnstykke som er for magert innstilt kan gi startvansker og dårlig akselerasjon. Et for magert innstilt H-munnstykke gir maskinen lavere effekt ("mindre krefter"), dårlig akselerasjon og/eller motorskade.

Kontroll, vedlikehold og service på motorsagens sikkerhetsutstyr

Bemerk! All service og reparasjon av maskinen krever spesialutdanning. Dette gjelder særlig maskinens sikkerhetsutstyr. Hvis maskinen ikke består alle kontrollene som er oppgitt nedenfor, anbefaler vi at du oppsøker ditt serviceverksted.

Kjedebremser med kastbeskyttelse

Kontroll av bremsebåndslitasje



Rengjør kjedebremser og koplingstrommel for spon, kvæ og smuss. Tilsnugging og slitasje påvirker bremsefunksjonen. (96)

Kontroller jevnlig at bremsebåndet er minst 0,6 mm tykt på det mest slitte stedet.

Kontroll av kastbeskyttelse



Kontroller at kastbeskyttelsen er hel og uten synlige defekter, f.eks. materialsprekker.

Før kastbeskyttelsen fram og tilbake for å kontrollere at den går lett og at den er stabilt forankret ved leddet i kopplingsdekelet.

Kontroll av tregheitsfunksjonen



Hold motorsagen, med motoren slått av, over en stubbe eller over en annen stabil gjenstand. Slipp det fremste håndtaket og la motorsagen falle av egen tyngde, roterende rundt det bakre håndtaket, mot stubben. (97)

Når sverdspissen treffer stubben, skal bremsen løse ut. (98)

Kontroll av bremsevirkning

Plasser motorsagen på et stabilt underlag og start den. Påse at sagkjedet ikke kan komme i kontakt med bakken eller andre gjenstander. Se anvisninger under overskriften Start og stopp. (99)

Hold motorsagen i et stødig grep med tomler og fingrer lukket om håndtakene.

Gi full gass og aktiver kjedebremsen ved å vri venstre håndledd mot kastbeskyttelsen. Ikke slipp det fremste håndtaket. **Kjedet skal stanse umiddelbart.** (58)

VEDLIKEHOLD

Gassregulatorsperre



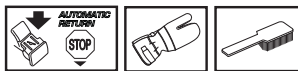
- Kontroller at gassregulatoren er låst i tomgangsstilling når gassregulatorsperren er i sin utgangsposisjon. **(100)**
- Trykk inn gassregulatorsperren og kontroller at den går tilbake til sin opprinnelige stilling når den slippes. **(101)**
- Kontroller at gassregulatoren og gassregulatorsperren går lett og at returfjærsystemet fungerer. **(102)**
- Start motorsagen og gi full gass. Slipp gassregulatoren og kontroller at kjedet stanser og at det blir stående stille. Hvis kjedet roterer med gassregulatoren i tomgangsstilling må forgasserens tomgangsjustering kontrolleres.

Kjedefanger



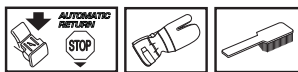
Kontroller at kjedefangeren er hel og at den sitter fast i motorsagkroppen. **(103)**

Høyrehåndsvern



Kontroller at høyrehåndsvernet er helt og uten synlige defekter, slik som materialsprekker. **(11)**

Avvibreringssystem



Kontroller regelmessig avvibreringselementene med tanke på materialsprekker og deformering. Kontroller at avvibreringselementene er fast forankret mellom motor- og håndtaksenhet. **(104)**

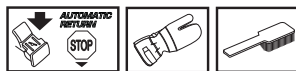
Stoppbryter



Start motoren og kontroller at motoren blir slått av når stoppbryteren føres til stoppstilling. **(59)**

OBS! Start/Stop-kontakten går automatisk tilbake til kjørestilling. For å unngå ufrivillig start, må tennpluggen derfor alltid fjernes fra tennpluggen ved montering, kontroll og/eller vedlikehold.

Lyddemper



Bruk aldri en maskin som har defekt lyddemper. Kontroller regelmessig at lyddemperen sitter fast i maskinen. **(105)**

Noen lyddempere er utstyrt med et spesielt gnistfangernett. Hvis maskinen er utstyrt med en slik lyddemper, bør nettet rengjøres en gang i uken. Dette gjøres enklest med en stålborste. Et tilstoppet nett fører til at motoren går varm med alvorlig motorskade som følge.

Bemerk! Ved eventuelle skader på nettet må det skiftes. Hvis nettet tilstoppes, blir maskinen overopphetet med skader på sylindere og stempel som følge. Bruk aldri maskinen med en lyddemper som er i dårlig stand. **Bruk aldri lyddemper uten eller med defekt gnistfangernett.** **(13)**

Lyddemperen er utformet for å dempe lydnivået og for å lede avgassene bort fra brukeren. Avgassene er varme og kan inneholde gnister som kan forårsake brann hvis gassene rettes mot et tørt og brennbart materiale.

Startmotor



ADVARSEL! Returfjæren ligger i spent stilling i startaggregatet og kan ved uaktsom behandling sprette ut og forårsake personskade.

Ved bytte av startfjær eller startsnor skal man være forsiktig. Bruk vernebriller og vernehansker.

Bytte av startsnor



- Løsne skruene som holder startmotoren mot veivhuset og løft av startmotoren. **(106)**
- Trekk snoren ca. 30 cm ut og løft den opp i utsparingen i ytterkant av snorhjulet. Nullstill returfjæren ved å la hjulet rotere sakte baklengs. **(107)**
- Løsne skruen i midten av snorhjulet og løft bort medbringerhjul (A), medbringerfjær (B) og snorhjul (C). Før inn og fest ny startsnor i snorhjulet. Kveil ca. 3 omdreinger av startsnoren på hjulet. Monter snorhjulet mot returfjæren (D) slik at enden av returfjæren hefter fast i snorhjulet. Monter deretter medbringerfjær, medbringerhjul og skruen i snorhjulets sentrum. Før startsnoren gjennom hullet i startmotorhuset og starthåndtaket. Knytt deretter en ordentlig knyte på startsnoren. **(108)**

VEDLIKEHOLD

Oppspenning av returfjær

- Løft startsnoren opp i utsparingen på snorhjulet og vri snorhjulet ca. 2 omdreininger med klokken.
Bemerk! Kontroller at snorhjulet kan vris ytterligere minst 1/2 omdreining når startsnoren er dratt helt ut. (109)

Strekkingen med håndtaket. Flytt tommelen og slipp snoren. Se bilde under. (110)

Bytte av retur- og medbringerfjær



Returfjær (A)

- Løft opp snorhjulet. Se anvisninger under overskriften Skift av brutt eller avslitt startsnor. Husk at retur-fjæren ligger i spenn i startapparatet.
- Demonter kassett med retur-fjær fra startapparatet.
- Smør retur-fjæren med tynn olje. Monter kassett med retur-fjær i startapparatet. Monter snorhjulet og stram retur-fjæren.

Medbringerfjær (B)

- Løsne skruen i midten av snorhjulet og løft bort medbringerhjul og medbringerfjær.
- Bytt ut medbringerfjær og monter medbringerhjul opp på fjæren. (111)

Montering av startmotor

- Monter startmotoren ved først å trekke ut startsnoren og deretter legge startmotoren på plass mot veivhuset. Slipp deretter startsnoren langsomt inn slik at starthakene griper inn i snorhjulet.
- Monter og trekk til skruene som holder startmotoren.

Luftfilter



Luftfilteret må rengjøres regelmessig for støv og smuss for å unngå:

- Forgasserforstyrrelser
- Startproblemer
- Dårligere effekt
- Unødvendig slitasje på motorens deler.
- Unormalt høyt brennstofforbruk.
- Luftfilteret demonteres etter at luftfilterdekselet er løftet av. Ved montering må det påses at luftfilteret slutter helt tett mot filterholderen. Rist eller børst filteret rent. (112)

En mer gjennomgående rengjøring oppnås ved å vaske filteret i såpevann.

Et filter som har vært mye brukt kan aldri bli fullstendig rent. Derfor må det skiftes med jevne mellomrom. **Et skadet luftfilter må alltid skiftes.**

En HUSQVARNA motorsag kan utstyres med forskjellige typer luftfilter avhengig av arbeidsmiljø, værforhold, årstid osv. Rådfør deg med nærmeste forhandler.

Tennplugg



Tennpluggens stand påvirkes av:

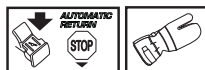
- Feil innstilt oljegasser.
- En feilaktig oljeblanding i brenselet (for mye, eller feilaktig olje).
- Tilsusset luftfilter.

Disse faktorene gir belegg på tennpluggenes elektroder og kan forårsake driftsforstyrrelser og startvansker.

Hvis maskinens effekt er for lav, maskinen er vanskelig å starte eller tomgangen er urolig: kontroller alltid tennpluggen først før andre tiltak iverksettes. Hvis tennpluggen har mye belegg, rengjøres den, og kontroller samtidig at elektrodeavstanden er 0,5 mm. Tennpluggen bør skiftes etter omtrent en måneds drift eller om nødvendig tidligere. (113)

Bemerk! Bruk alltid anbefalt type tennplugg! Feil tennplugg kan ødelegge stempel/sylinder. Påse at tennpluggen har såkalt radiostøyfilter.

Smøring av nålelager



Koplingstrommelen er utstyrt med et nålelager ved utgående aksel. Dette nålelageret må smøres regelmessig.

Ved smøring demonteres kopplingsdekselet ved å løsne de to sverdmutrene. Plasser sagen liggende på siden med koplingstrommelen opp.

Smøring skjer ved at motorolje dryppes på koplingstrommelens sentrum samtidig som koplingstrommelen roteres. (114)

Kjølesystem



For å oppnå lavest mulig driftstemperatur er maskinen utstyrt med et kjølesystem.

Kjølesystemet består av:

- 1 Luftinntak i startmotor.
- 2 Luftføringsskinne.
- 3 Vifteskovler på svinghjulet.

- 4 Kjøleflenser på sylindren.
- 5 Sylinderdeksel (leder kjøleluften mot sylindren).
(115)

Rengjør kjølesystemet med en børste en gang i uken, ved vanskelige forhold oftere. Et tilsmusset eller tett kjølesystem fører til at maskinen overopphetes, noe som forårsaker skader på sylinder og stempel.

Sentrifugalrensing ”Air Injection”

Sentrifugalrensing innebærer følgende: All luft til forgasseren kommer (tas) gjennom startmotoren. Smuss og støv sentrifugeres bort av kjøleviften. (116)

VIGTIG! For å opprettholde sentrifugalrensingens funksjon, må den rengjøres og vedlikeholdes kontinuerlig. Rengjør luftinntaket til startmotoren, vifteskivene på svinghjulet, rommet rundt svinghjulet, inntaksrøret og forgasserrommet.

Vinterbruk

Ved bruk av maskinen i kulde og under snøforhold kan det oppstå driftsforstyrrelser, forårsaket av:

- For lav motortemperatur.
- Isdannelse på luftfilter og frysing i forgasser.

Derfor kreves det ofte spesielle tiltak, slik som å:

- Delvis redusere luftinntaket til startmotoren og dermed heve motorens arbeidstemperatur.

Temperatur -5°C eller kaldere:



Ved bruk av maskinen i kulde eller puddersnø finnes også et spesielt beskyttelseslokk som monteres på startmotorhuset. Dette reduserer inntaket av kald luft og forhindrer at større mengder snø suges inn. (117)

OBS! Hvis der er montert et spesielt vintersett eller det er gjort noe for å heve temperaturen, må maskinen omstilles til normal innstilling når den brukes i normale temperaturforhold. Ellers risikerer man overoppheting med alvorlige motorskader som resultat.

VIGTIG! Alt vedlikehold utover det som er nevnt i denne boken skal utføres av servicefaghandler (forhandler).

VEDLIKEHOLD

Vedlikeholdsskjema

Under følger en liste over det vedlikehold som skal utføres på maskinen. De fleste av punktene er beskrevet i avsnittet Vedlikehold.

Daglig ettersyn	Ukentlig ettersyn	Månedlig ettersyn
Rengjør maskinen utvendig.	Kontroller kjølesystemet ukentlig.	Kontroller bremsebåndet på kjedebremsen med henblikk på slitasje. Skift når det er mindre enn 0,6 mm på det mest slitte stedet.
Kontroller at gassregulatorens deler fungerer sikkert. (Gassregulatorsperre og gassregulator.)	Kontroller startapparatet, startlinen og returfjæren.	Kontroller koplingssenteret, koplingstrommelen og koplingsfjæren med henblikk på slitasje.
Rengjør kjedebremsen og kontroller at den fungerer sikkert. Kontroller at kjedefangeren er uskadet, skift om nødvendig.	Kontroller at avvibreringselementene ikke er skadd.	Rengjør tennpluggen. Kontroller at elektrodeavstanden er 0,5 mm.
Sverdet skal snus regelmessig for jevnere slitasje. Kontroller at smørehullet i sverdet ikke er tett. Rengjør kjedesporet. Hvis sverdet har nesehjul, smøres dette.	Smør koplingstrommelens lager.	Rengjør forgasseren utvendig.
Kontroller at sverd og kjede får nok olje.	Fil bort eventuelle grader på sidene av sverdet.	Kontroller brennstofffilteret og brennstoffslangen. Skift om nødvendig.
Kontroller sagkjedet med henblikk på synlige sprekker i nagler og ledd, om sagkjedet er stivt eller hvis nagler og ledd er unormalt slitt. Skift om nødvendig.	Rengjør eller skift lyddemperens gnistfangernett.	Tøm bensintanken og rengjør den innvendig.
Fil kjedet og kontroller stramming og tilstand. Kontroller at kjededrivhjulet ikke er unormalt slitt, skift om nødvendig.	Rengjør forgasserrømmet.	Tøm oljetanken og rengjør den innvendig.
Rengjør startmotorens luftinntak.	Rengjør luftfilteret. Skift om nødvendig.	Kontroller alle kabler og forbindelser.
Kontroller at skruer og mutre er trukket til.		
Kontroller at stoppbryteren fungerer.		
Kontroller at det ikke er noen brennstofflekkasje fra motor, tank eller brennstoffledninger.		
Kontroller at kjedet ikke roterer når motoren går på tomgang.		

TEKNISKE DATA

Tekniske data

	435 II	435e II	440 II	440e II
Motor				
Sylindervolum, cm ³ :	40,9	40,9	40,9	40,9
Sylinderdiameter, mm	41	41	41	41
Slaglengde, mm	31	31	31	31
Tomgangsturtall, o/min	2900	2900	2900	2900
Effekt, kW/ o/min	1,6/9000	1,6/9000	1,8/9000	1,8/9000
Tenningsystem				
Tennplugg	NGK BPMR 7A/ Champion RCJ 7Y	NGK BPMR 7A/ Champion RCJ 7Y	NGK BPMR 7A/ Champion RCJ 7Y	NGK BPMR 7A/ Champion RCJ 7Y
Elektrodeavstand, mm	0,5	0,5	0,5	0,5
Brennstoff-/smøresystem				
Volum bensintank, liter	0,37	0,37	0,37	0,37
Kapasitet oljepumpe ved 9000 o/min, ml/min	13	13	13	13
Volum oljetank, liter	0,25	0,25	0,25	0,25
Type av oljepumpe	Automatisk	Automatisk	Automatisk	Automatisk
Vekt				
Motorsag uten sverd, kjede og med tomme tanker, kg	4,2	4,4	4,2	4,4
Støyutslipp (se anm. 1)				
Lydeffektnivå, mål dB(A)	112	112	113	113
Lydeffektnivå, garantert L _{WA} dB(A)	114	114	114	114
Ljudnivåer (se anm. 2)				
Ekvivalent lydtryknivå ved brukerens øre, dB(A)	102	102	102	102
Ekvivalente vibrasjonsnivåer, a_{hveq} (se merknad 3)				
Fremre håndtak, m/s ²	2,5	2,5	2,5	2,5
Bakre håndtak, m/s ²	3,2	3,2	3,2	3,2
Kjede/sverd				
Standard sverdlengde, tommer/cm	13"/33	13"/33	13/33	13"/33
Anbefalte sverdlengder, tommer/cm	13-18/33-45	13-18/33-45	13-18/33-45	13-18/33-45
Effektiv skjærelengde, tommer/cm	12-17/31-43	12-17/31-43	12-17/31-43	12-17/31-43
Deling, tommer/mm	0,325/8,25	0,325/8,25	0,325/8,25	0,325/8,25
Tykkelse på drivlenke, tommer/mm	0,050/1,3	0,050/1,3	0,050/1,3	0,050/1,3
Type drivhjul/antall tenner	Spur/7	Spur/7	Spur/7	Spur/7
Kjedefastighet ved 133 % av maksimalt motorturtall, m/s	23,1	23,1	23,1	23,1

Anm.1: Utslipp av støy til omgivelsene målt som lydeffekt (L_{WA}) ifølge EF-direktiv 2000/14/EC.

Merknad 2: Ekvivalent støytryknivå i henhold til ISO 22868 beregnes som tidsvektet total energi for ulike tryknivåer under forskjellige driftsforhold. Typisk statistisk spredning for ekvivalent støytryknivå er et standard avvik på 1 dB (A).

Merknad 3: Ekvivalent vibrasjonsnivå i henhold til ISO 22867 beregnes som tidsvektet total energi for vibrasjonsnivåer under forskjellige driftsforhold: Rapporterte data for ekvivalent vibrasjonsnivå har en typisk statistisk spredning (standard avvik) på 1 m/s².


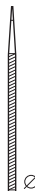
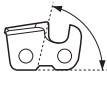
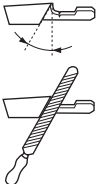

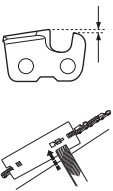
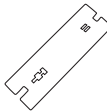
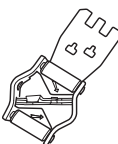
TEKNISKE DATA

Sverd og kjedekombinasjoner

Følgende skjæreutstyr er godkjent for modellene Husqvarna 435 II, 435e II, 440 II og 440e II.

Sverd				Sagkjede	
Lengde, tommer	Deling, tommer	Sporbredde, mm	Maks. antall tenner nesehjul	Type	Lengde, drivlenke (stk.)
13	0,325	1,3	10T	Husqvarna H30	56
15					64
16					66
18					72

Sagkjedets filing og filmaler

							
	inch/mm				inch/mm		
H30	3/16 / 4,8	85°	30°	10°	0,025 / 0,65	5056981-00	5056981-08

EF-erklæring om samsvar

(Gjelder kun Europa)

Husqvarna AB, SE-561 82 Huskvarna, Sverige, tlf.: +46-36-146500, forsikrer hermed at motorsagene for skogbruk **Husqvarna 435 II, 435e II, 440 II og 440e II** fra år 2013s serienummer og fremover (året oppgis i klartekst på typeskiltet pluss et etterfølgende serienummer) tilsvarer forskriftene i RÅDSDIREKTIV:

- fra 17. mai 2006, "angående maskiner" **2006/42/EC**.
- av 15. desember 2004 "angående elektromagnetisk kompatibilitet" **2004/108/EC**.
- av 8. mai 2000 "angående utslipp av støy til omgivelsene" **2000/14/EC**.

For informasjon angående støytutslippene, se kapitlet Tekniske data. Følgende standarder er blitt tillempet:

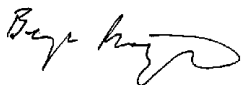
EN ISO 12100:2010, ISO 14982:2009, EN ISO 11681-1:2011.

Kontrollorgan: **0404, SMP Svensk Maskinprovning AB**, Box 7035, SE-750 07 Uppsala, Sverige, har utført EF-typeprøving ifølge maskindirektivets (2006/42/EC) artikkel 12, punkt 3b. Bekreftelsene om EF-typekontroll ifølge vedlegg IX, har nummer: **0404/09/2012** - 435 II, 435e II, 440 II, 440e II.

Videre har SMP, Svensk Maskinprovning AB, Box 7035, SE-750 07 Uppsala, Sverige, bekreftet overensstemmelse med tillegg V til rådets direktiv av 8. mai 2000 "angående utslipp av støy til omgivelsene" 2000/14/EC. Sertifikatene har nummer: **01/161/075** - 435 II, 435e II, **01/161/074** - 440 II, 440e II.

Den leverte motorsagen samsvarer med det eksemplaret som gjennomgikk EF-typeprøving.

Huskvarna 8. april 2013



Bengt Frögelius, Utviklingssjef Motorsag (Autorisert representant for Husqvarna AB og ansvarlig for teknisk dokumentasjon.)

MERKKIEN SELITYKSET

Koneessa esiintyvät tunnukset:

VAROITUS! Moottorisahat saattavat olla vaarallisia! Huolimaton tai virheellinen käyttö saattaa aiheuttaa käyttäjälle tai sivullisille vakavia vammoja tai kuoleman.

Lue käyttöohje huolellisesti ja ymmärrä sen sisältö, ennen kuin alat käyttää konetta.

Käytä aina:

- Hyväksytyjä suojakypäriä
- Hyväksytyjä kuulonsuojaimia
- Suojalasit tai visiiri

Tämä tuote täyttää voimassa olevan CE-direktiivin vaatimukset.

Melupäästöt ympäristöön Euroopan yhteisön direktiivin mukaisesti. Koneen päästöt ilmoitetaan luvussa Tekniset tiedot ja arvokilvessä.

Sytytys; rikastus: Aseta rikastin rikastusasentoon. Pysäyttimen on tällöin asetettava automaattisesti käynnistysasentoon.

Polttonesteen täyttö.

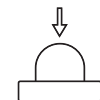
Teräketjuöljyn täyttö.

Polttoainepumppu

Öljypumpun säätö.

Ketjujarru, aktiivinen (oikealla)
Ketjujarru, ei aktiivinen (vasemmalla)

Muita koneen tunnuksia/tarroja tarvitaan tietyillä markkina-alueilla ilmaisemaan erityisiä sertifiointivaatimuksia.



Käyttöohjeessa esiintyvät tunnukset:

Tarkastus- ja/tai huoltotöiden aikana moottorin on oltava sammutettuna. HUOM! Käynnistys-/pysäytyskosketin palautuu automaattisesti käyttöasentoon. Sen vuoksi tahaton käynnistyminen on aina estettävä irrottamalla sytytystulpan suojus sytytystulpasta asennuksen, tarkastuksen ja/tai huollon ajaksi.



Käytä aina hyväksytyjä suojakäsineitä.



Puhdistettava säännöllisesti.



Silmämääräinen tarkastus.



Suojalaseja tai visiiriä on käytettävä.



Polttonesteen täyttö.



Öljyn täyttö ja öljyn syötön säätäminen.



Ketjujarrun on oltava kytkettynä, kun moottorisaha käynnistetään.



VAROITUS! Terälevyn kärjen osuminen esineeseen voi synnyttää takapotkun ja aiheuttaa terälevyn sinkoutumisen ylöspäin ja kohti käyttäjää. Se voi aiheuttaa vakavia henkilövahinkoja.



SISÄLTÖ

Sisältö

MERKKIEN SELITYKSET

Koneessa esiintyvät tunnuksset: 107

Käyttöohjeessa esiintyvät tunnuksset: 107

SISÄLTÖ

Sisältö 108

JOHDANTO

Hyvä asiakas! 109

KONEEN OSAT

Moottorisahan osat 109

YLEISET TURVAOHJEET

Toimenpiteet ennen uuden moottorisahan käyttöä 110

Tärkeää 111

Käytä aina tervettä järkeä 111

Henkilökohtainen suojavarustus 111

Koneen turvalaitteet 111

Terälaite 113

ASENNUS

Terälevyn ja ketjun asennus 117

POLTTOAINEEN KÄSITTELY

Polttoaine 118

Tankkaus 119

Polttoaineturvallisuus 119

KÄYNNISTYS JA PYSÄYTYS

Käynnistys ja pysäytys 120

PERUSTEKNIikka

Aina ennen käyttöä: 122

Yleiset työohjeet 122

Takapotkua ehkäisevät toimenpiteet 125

KUNNOSSAPITO

Yleistä 126

Kaasuttimen säätö 126

Moottorisahan turvalaitteiden tarkastus,
kunnossapito ja huolto 126

Äänenvaimennin 127

Käynnistin 127

Ilmansuodatin 128

Sytytystulppa 128

Neulalaakerin voitelu 128

Jäähdytysjärjestelmä 129

Keskipakoispuhdistus "Air Injection" 129

Talvikäyttö 129

Huoltokaavio 130

TEKNISET TIEDOT

Tekniset tiedot 131

Terälevy- ja ketjuyhdistelmät 132

Teräketjun teroittaminen ja viilausohjaimet 132

EY-vaatimustenmukaisuusvakuutus 132

JOHDANTO

Hyvä asiakas!

Onnittelemme Husqvarna-tuotteen valinnan johdosta! Husqvarnan perinteet ulottuvat vuoteen 1689 saakka, jolloin kuningas Kaarle XI antoi pystyttää Huskvarna-joen rannalle tehtaan muskettien valmistukseen. Sijointi Huskvarna-joen rannalle oli looginen, koska jokea käytettiin vesivoiman tuottamiseen ja se toimi siten vesivoimalana. Näiden yli 300 vuoden ajan, joina Husqvarnan tehdas on ollut toiminnassa, siellä on valmistettu lukemattomia tuotteita, aina puuliesistä moderneihin keittiökoneisiin, ompelukoneisiin, polkupyöriin, moottoripyöriin jne. 1956 lanseerattiin ensimmäinen moottoriruohonleikkuri, jota seurasi vuonna 1959 moottorisaha, ja sillä alalla Husqvarna nykyisin toimii.

Husqvarna tänä päivänä yksi maailman johtavista metsä- ja puutarhatuotteiden valmistajista, jonka tärkeimpänä kriteerinä on laatu ja suorituskyky. Liikeideana on kehittää, valmistaa ja markkinoida moottorikäyttöisiä tuotteita metsän- ja puutarhanhoitoon sekä rakennus- ja laitosteollisuudelle. Husqvarnan tavoitteena on myös olla eturivissä ergonomiassa, käyttäjäturvallisuudessa, turvallisuudessa ja ympäristöajattelussa, minkä vuoksi olemme kehittäneet lukuisia onnistuneita yksityiskohtia tuotteiden parantamiseksi näillä alueilla.

Olemme vakuuttuneita, että tulette tyytyväisenä arvostamaan tuotteemme laatua ja suorituskykyä vielä pitkälle tulevaisuudessa. Ostaessasi jonkin tuotteistamme saat ammattitaitoista korjaus- ja huoltoapua, jos jotakin kaikesta huolimatta tapahtuu. Jos ostat koneen muualta kuin valtuutetulta jälleenmyyjältämme, pyydä myyjää neuvomaan lähin huoltoliike.

Toivomme, että olet tyytyväinen koneeseesi, ja että se saa olla seuralaisenasasi pitkän aikaa eteenpäin. Muista, että tämä käyttöohje on arvokas asiakirja. Noudattamalla sen käyttö-, huolto- ja kunnossapito- ja muita ohjeita voit huomattavasti pidentää koneen elinikää ja lisätä myös sen jälleenmyyntiarvoa. Jos myyt koneesi, muista luovuttaa käyttöohje uudelle omistajalle.

Kiitämme Husqvarna-tuotteen valitsemisesta!

Husqvarna AB kehittää jatkuvasti tuotteitaan ja pidättää siksi itselleen oikeuden mm. muotoa ja ulkonäköä koskeviin muutoksiin ilman ennakkoilmoitusta.

Moottorisahan osat (1)

- 1 Sylinterikotelo
- 2 Polttoainepumppu
- 3 Käynnistysmuistutus
- 4 Yhdistetty käynnistys-/pysäytyskosketin
- 5 Takakahva
- 6 Huomio- ja varoitustarra
- 7 Polttoainesäiliö
- 8 Kaasuttimen säätöruuvi
- 9 Käynnistyskahva
- 10 Käynnistin
- 11 Ketjuöljysäiliö
- 12 Tuote- ja sarjanumerokilpi
- 13 Kaatosuuntamerkki
- 14 Etukahva
- 15 Takapotkusuoja
- 16 Äänenvaimennin
- 17 Teräketju
- 18 Kärkipyörä
- 19 Terälevy
- 20 Kuorituki
- 21 Ketjusieppo
- 22 Teräketjun kireydensäätöruuvi (435 II, 440 II)
- 23 Kytinkotelo (435 II, 440 II)
- 24 Rystyssuojus
- 25 Kaasullipasini
- 26 Kaasullipasimen varmistin
- 27 Kytinkotelo (435e II, 440e II)
- 28 Ketjun kiristyspyörä
- 29 Väänni
- 30 Käyttöohje
- 31 Yhdistelmäavain
- 32 Teräsuojus

YLEISET TURVAOHJEET

Toimenpiteet ennen uuden moottorisahan käyttöä

- Lue käyttöohje huolellisesti.
- (1) - (117) viittaa kuviin sivulla 2-6.
- Tarkasta terälaitteen asennus ja säätö. Katso otsikon Asennus alla annetut ohjeet.
- Lisää polttoainetta ja käynnistä moottorisaha. Katso otsikoiden Polttoaineen käsittely, Käynnistys ja Pysäytys alla annetut ohjeet.
- Älä käytä moottorisahaa, ennen kuin teräketjuun on päässyt riittävästi ketjuöljyä. Katso otsikon Terälaitte alla annetut ohjeet.
- Pitkäaikainen altistuminen melulle saattaa aiheuttaa pysyviä kuulovammoja. Käytä siksi aina hyväksytyjä kuulonsuojaimia.



VAROITUS! Koneen alkuperäistä rakennetta ei missään tapauksessa saa muuttaa ilman valmistajan lupaa. Käytä aina alkuperäisiä varaosia. Hyväksymättömien muutosten ja/tai lisävarusteiden käyttö voi aiheuttaa käyttäjälle tai muille vakavia vahinkoja tai kuoleman.



VAROITUS! Moottorisaha voi huolimattomasti tai virheellisesti käytettynä olla vaarallinen työväline, joka voi aiheuttaa vakavan tai jopa hengenvaarallisen tapaturman. On erittäin tärkeää, että luet ja ymmärrät tämän käyttöohjeen sisällön.



VAROITUS! Äänenvaimennin sisältää kemikaaleja, jotka saattavat olla karsinogeenisiä. Vältä kosketusta näihin osiin, mikäli käsittelet vaurioitunutta äänenvaimenninta.



VAROITUS! Moottorin pakokaasujen, ketjuöljyysumun ja sahanpurupölyn pitkäaikainen sisäänhengittäminen voi olla terveydelle vaarallista.



VAROITUS! Kone muodostaa käytön aikana sähkömagneettisen kentän. Kenttä saattaa joissakin tapauksissa häiritä aktiivisten tai passiivisten lääketieteellisten implanttien toimintaa. Vakavien tai kohtalokkaiden onnettomuuksien ehkäisemiseksi kehotamme lääketieteellisiä implantteja käyttäviä henkilöitä neuvottelemaan lääkärin ja lääketieteellisen implantin valmistajan kanssa ennen koneen käyttämistä.



VAROITUS! Älä anna koskaan lasten käyttää konetta tai oleskella sen läheisyydessä. Koska koneessa on jousipalautteinen pysäytyskosketin ja se voidaan käynnistää käynnistyskahvasta alhaisella nopeudella ja voimalla, myös pieten lasten voima voi tietyissä olosuhteissa riittää koneen käynnistämiseen. Se voi johtaa vakaviin henkilövahinkoihin. Irrota sen vuoksi sytytystulpan suojus aina, kun kone on ilman valvontaa.

YLEISET TURVAOHJEET

Tärkeää

TÄRKEÄÄ!

Tämä metsäkäyttöön tarkoitettu moottorisaha on suunniteltu metsätöihin, kuten puiden kaatamiseen, karsimiseen ja katkomiseen.

Kansallinen lainsäädäntö voi asettaa rajoituksia tämän koneen käyttöön.

Sahassa tulee käyttää ainoastaan kappaleessa Tekniset tiedot suositeltuja terälevy/teräketjuyhdistelmiä.

Älä koskaan käytä konetta, jos olet väsynyt tai nauttinut alkoholia, tai käytät lääkkeitä, jotka voivat vaikuttaa näkökykyysi, harkintakykyysi tai kehosi hallintaan.

Käytä henkilökohtaisia suojavarusteita. Katso otsikon Henkilökohtainen suojavarustus alla annetut ohjeet.

Älä tee tähän koneeseen koskaan sellaisia muutoksia, jotka muuttavat sen alkuperäistä rakennetta, äläkä käytä sitä, mikäli epäilet jonkun muun muuttaneen konetta.

Älä koskaan käytä viallista konetta. Noudata tässä käyttöohjeessa annettuja turvallisuustarkoituksia, kunnossapitoa ja huoltoa koskevia ohjeita. Tietyt kunnossapito- ja huoltotyöt on annettava koulutettujen ja pätevien asiantuntijoiden tehtäviksi. Katso ohjeet kohdasta Kunnossapito.

Älä koskaan käytä muita kuin tässä käyttöohjeessa suositeltuja lisävarusteita. Katso otsikoiden Terälaite ja Tekniset tiedot alla annetut ohjeet.

HUOM! Käytä aina suojalaseja tai kasvovisiiriä, jotta sinkoavien kappaleiden aiheuttamia vahinkoriski olisi pienempi. Moottorisaha voi singota suurella voimalla liikkeelle sahanpurun, pienen puunpalojen ja vastaavan kaltaisia kappaleita. Ne voivat aiheuttaa vakavia vahinkoja, etenkin silmille.



VAROITUS! Moottorin käyttäminen suljetussa tai huonosti ilmastoidussa tilassa voi aiheuttaa tukehtumisesta tai hiilimonoksidimyrkytyksestä johtuvan kuoleman.



VAROITUS! Väärä terälaite tai väärä terälevy/teräketjuyhdistelmä lisää takapotkun vaaraa! Käytä vain suosittelemiamme terälevy/teräketjuyhdistelmiä ja noudata teroitusohjeita. Katso ohjeita kappaleessa Tekniset tiedot.

Käytä aina tervettä järkeä (2)

On mahdotonta kuvata kaikkia mahdollisia tilanteita, joita moottorisahan käytössä voi ilmetä. Ole aina varovainen ja käytä tervettä järkeä. Vältä tilanteita, mihin et katso taitosi riittävän. Mikäli olet vielä näiden ohjeiden lukemisen jälkeen epävarma menettelytavoista, sinun on kysyttävä neuvoa asiantuntijalta ennen jatkamista. Älä epäröi ottaa

yhteyttä jälleenmyyjäsi tai meihin, mikäli sinulla on kysyttävää moottorisahan käytöstä. Olemme mielellämme avuksi ja annamme neuvoja, joiden avulla voit käyttää moottorisahaasi paremmin ja turvallisemmin. Moottorisahan käyttöön kannattaa hankkia opetusta. Jälleenmyyjäsi, metsäopistot tai kirjastot voi antaa tietoja saatavilla olevista koulutusmateriaaleista ja kursseista. Työ rakenteiden ja tekniikan parantamiseksi on jatkuvasti käynnissä - parannuksilla halutaan lisätä sinun turvallisuuttasi ja tehokkuuttasi. Käy jälleenmyyjäsi luona säännöllisesti kuulemassa, millaista hyötyä voit saada kulloinkin esitteillä olevista uutuuksista.

Henkilökohtainen suojavarustus



VAROITUS! Suurin osa moottorisahaonnettomuuksista tapahtuu niin, että teräketju osuu käyttäjään. Konetta käytettäessä on aina pidettävä hyväksytyjä henkilökohtaisia suojavarusteita. Henkilökohtaiset suojavarusteet eivät poista tapaturmien vaaraa, mutta lieventävät vaurioita onnettomuusilanteessa. Pyydä jälleenmyyjältä apua varusteiden valinnassa.

- Hyväksytyä suojakypärää
- Kuulonsuojaimet
- Suojalasit tai visiiri
- Viiltosuojalla varustetut käsineet
- Viiltosuojalla varustetut housut
- Viiltosuojalla, tärkeisellä varvassuojalla ja luistamattomalla pohjalla varustetut saappaat
- Ensiapulaukun on aina oltava lähellä.
- Palonsammutin ja lapio

Vaatteiden pitää olla ihonmyötäisiä, mutta ne eivät saa vaikeuttaa liikkumista.

TÄRKEÄÄ! Äänenvaimentimesta, terälevyistä ja ketjusta tai muista lähteistä saattaa syntyä kipinöitä. Pidä palonsammutuskalusto aina saatavilla mahdollista tarvetta varten. Niin voit olla avuksi metsäpalojen ehkäisemisessä.

Koneen turvalaitteet

Tässä luvussa selvitetään koneen turvalaitteet ja niiden toiminta. Katso tarkastus- ja kunnossapito-ohjeet otsikon Koneen turvalaitteiden tarkastus, kunnossapito ja huolto alta. Katso luvusta Koneen osat, missä nämä laitteet koneessa sijaitsevat.

Koneen käyttöikä voi lyhentyä ja onnettomuusriski kasvaa, jos koneen kunnossapitoa ei suoriteta oikealla tavalla ja jos huoltoja ja/tai korjauksia ei tehdä ammattitaitoisesti. Jos tarvitset lisäohjeita, ota yhteys huoltokorjaamoon.



VAROITUS! Älä koskaan käytä konetta, jos sen turvalaitteet ovat rikki. Turvalaitteet on tarkastettava ja huollettava. Katso ohjeet otsikon Koneen turvalaitteiden tarkastus, kunnossapito ja huolto alta. Jos koneessasi ilmenee tarkastettaessa puutteita, se on toimitettava huoltoilikkeeseen korjattavaksi.

Takapotkusuojuksella varustettu ketjujarru

Moottorisahasasi on varustettu ketjujarrulla, joka pysäyttää teräketjun takapotkun sattuessa. Ketjujarru vähentää onnettomuusrisiä, mutta vain sinä käyttäjänä voit estää ne. (3)

Käytä sahaa varovasti äläkä koskaan päästä terälevyn takapotkuille altista aluetta osumaan esineisiin. (4)

- Ketjujarru (A) laukaistaan joko käsin (vasemmalla kädellä) tai automaattisella pysäytystoiminnolla. (5)
- Ketjujarru laukeaa, kun takapotkusuojusta (B) työnnetään eteenpäin. (5)
- Liike käynnistäjä jousikuormitteisen koneiston, joka kiristää jarruhinnan (C) moottorin ketjupyörän (D) (kytkinrummun) ympärille. (6)
- Takapotkusuojusta ei ole tarkoitettu vain ketjujarrun laukaisemiseen. Sen toinen erittäin tärkeä tehtävä on vähentää vaaraa, että vasen käsi osuu teräketjuun, jos ote irtoaa etukahvasta.
- Ketjujarrun on oltava kytkettyä estämässä ketjun pyöriminen, kun moottorisaha käynnistetään (55)
- Käytä ketjujarrua "seisontajarruna" käynnistyksessä sekä lyhyiden siirtymien aikana, jotta käyttäjä tai ympäristö ei joutuisi tekemisiin liikkuvan teräketjun kanssa. Älä jätä moottorisahaa käyntiin ketjujarru aktivoituna pitkäksi aikaa. Moottorisaha voi kuumentua erittäin voimakkaasti.
- Ketjujarru vapautetaan siirtämällä tekstillä "PULL BACK TO RESET" merkittyä suojusta taakse päin, kohti etummaista kahvaa.
- Takapotkut voivat olla salamannopeita ja erittäin voimakkaita. Useimmat takapotkut ovat heikkoja, eivätkä ne aina laukaise ketjujarrua. Näissä tilanteissa moottorisaha on pidettävä tukevassa otteessa eikä sitä saa päästää käsistä.
- Se, laukaistaanko ketjujarru käsin vai automaattisella pysäytystoiminnolla, riippuu takapotkun voimakkuudesta ja moottorisahan asennosta siihen esineeseen nähden, johon terälevyn takapotkusektori on osunut.

Rajussa takapotkuissa ja kun terälevyn takapotkusektori on mahdollisimman kaukana käyttäjästä, ketjujarru laukeaa automaattisella pysäytystoiminnolla, jonka ketjujarrun vastavoima (hitaus) aktivoi takapotkun suunnassa. (7)

Lievemmissä takapotkuissa, tai kun takapotkusektori on lähellä käyttäjää, laukeaa ketjujarru vasemman käden vaikutuksesta.

- Kaatoasennossa vasen käsi on sellaisessa asennossa, että ketjujarrun aktivointi käsin on mahdotonta. Pidettäessä sahasta tällaisella otteella, ts. kun vasen käsi on asetettu niin, ettei se pysty vaikuttamaan takapotkusuojuksen liikkeeseen, voi ketjujarru laueta vain automaattisen pysäytystoiminnon vaikutuksesta. (8)

Aktivoiko käteni aina ketjujarrun takapotkun yhteydessä?

Ei. Takapotkusuojan viemiseksi eteen tarvitaan tietyn suuruista voimaa. Jos kätesi hipaisee vain kevyesti takapotkusuojaa tai luiskahtaa sen yli, saattaa voima olla liian pieni ketjujarrun laukaisuun. Moottorisahan kahvasta on myös pidettävä tukevasti kiinni työskentelyn aikana. Kun teet niin, et ehkä koskaan irrota otetta etukahvasta ja aktivoi ketjujarrua, tai ketjujarru voi mennä päälle vasta kun saha on ehtinyt liikkua melkoisen matkan. Tällaisessa tapauksessa saattaa käydä niin, ettei ketjujarru ehdi pysäyttää ketjua ennen kuin se osuu sinuun.

Myös tietyissä työasunnoissa kätesi ei ylety takapotkusuojan ketjujarrun aktivoimiseksi, esim. kun sahaa pidetään kaatoasennossa.

Pysäyttääkö automaattinen pysäytystoiminto ketjun aina, jos takapotku tapahtuu?

Ei. Ensinnäkin jarrun on toimittava. Jarrun testaaminen on helppoa, koska ohjeet otsikon Koneen turvalaitteiden tarkastus, kunnossapito ja huolto alta. Suosittelemme, että teet sen ennen jokaista työrupeamaa. Toiseksi takapotkun on oltava riittävän voimakas, jotta se aktivoisi ketjujarrun. Jos ketjujarru olisi hyvin herkkä, se aktivoituisi tämän tästä, ja se olisi melko vaivalloista.

Suojaako ketjujarru minua vahingoilta aina, jos takapotku tapahtuu?

Ei. Ensinnäkin jarrun on toimittava, jotta se suojaisi tarkoitetulla tavalla. Toiseksi se on aktivoitava yllä kuvatulla tavalla, jotta se pysäyttäisi teräketjun takapotkun yhteydessä. Kolmanneksi ketjujarru voi kyllä aktivoitua, mutta jos terälevy on liian lähellä sinua, voi käydä niin ettei jarru ehdi hidastamaan ja pysäyttämään ketjua ennen kuin moottorisaha osuu sinuun.

Vain sinä itse ja oikea työtekniikka voitte eliminoida takapotkun ja sen aiheuttamat vaaratilanteet.

Kaasuliipasimen varmistin

Varmistin on suunniteltu estämään tahaton kaasuliipasimen käyttäminen. Kun varmistin (A) painetaan kahvan sisään (= kun kahvasta tartutaan kiinni), kaasuliipaisin (B) vapautuu. Kun ote kahvasta irrotetaan, palautuvat sekä kaasuliipaisin että varmistin lähtöasentoonsa. Lähtöasennossa kaasuliipaisin on siis aina lukittuna joutokäynnille. (9)

Ketjusieppo

Ketjusieppo pyydystää terälevystä irronneen tai katkenneen ketjun. Nämä tilanteet voidaan useimmiten

YLEISET TURVAOHJEET

välttää kiristämällä ketju oikein (ks. otsikon Asennus alla annetut ohjeet) sekä terälevyn ja ketjun oikealla kunnossapidolla ja huollolla (ks. otsikon Yleiset työohjeet alla annetut ohjeet). (10)

Rystyssuojus

Rystyssuojuksen on paitsi suojattava kättä ketjun irrotessa tai katketessa, myös varmistettava, etteivät oksat ja risut vaikuta käden otteeseen takakahvasta. (11)

Tärinänvaimennus

Koneesi on varustettu tärinänvaimentimilla, jotka tekevät sen käytöstä mahdollisimman tärinätöntä ja miellyttävää.

Koneen tärinänvaimennus vähentää tärinöiden siirtymistä moottoriyksiköstä/terälaitteesta koneen kahvoihin. Moottorisahan runko ja terälaitte on eristetty kahvaosista nk. vaimennuselementeillä.

Kovat puulajit (useimmat lehtipuut) aiheuttavat enemmän tärinöitä kuin pehmeät (useimmat havupuut). Tylsällä tai väärrällä (väärrä tyyppi tai väärrä viilaus) terälaitteella sahaaminen lisää tärinää.



VAROITUS! Liiallinen altistuminen tärinöille saattaa aiheuttaa verisuoni- tai hermovaurioita verenkiertohäiriöistä kärsiville henkilöille. Hakeudu lääkäriin, jos havaitset oireita, jotka voivat liittyä liialliseen tärinöille altistumiseen. Esimerkkejä tällaisista oireista ovat puutumiset, tunnotomuus, kutinat, pistelyt, kipu, voimattomuus tai heikkous, ihon värin tai pinnan muutokset. Näitä oireita esiintyy tavallisesti sormissa, käsissä tai ranteissa. Nämä oireet voivat voimistua alhaisissa lämpötiloissa.

Pysäytin

Moottori on pysäytettävä pysäyttimellä. (12)

Äänenvaimennin

Äänenvaimennin pitää äänitason mahdollisimman alhaisena ja ohjaa moottorin pakokaasut käyttäjästä pois päin.



VAROITUS! Moottorin pakokaasut ovat kuumia ja voivat sisältää kipinöitä jotka voivat aiheuttaa tulipalon. Älä koskaan käynnistä konetta sisätiloissa tai lähellä tulenarkaa materiaalia!

Alueilla, joissa on lämmin ja kuiva ilmasto, voi tulipalovaara olla ilmeinen. Näillä alueilla lait ja säädökset voivat määrätä, että äänenvaimentimessa on oltava muun muassa hyväksytyt kipinänsammutusverkko. (13)

Varmista verkon asennuksessa, että se tulee paikalleen oikeassa asennossa. Käytä tarvittaessa yhdistelmäavainta verkon asennukseen tai irrottamiseen.

HUOM! Äänenvaimennin kuumentuu erittäin voimakkaasti sekä käytön aikana että pysäyttämisen jälkeen. Tämä koskee myös joutokäyntiä. Ota palonvaara huomioon, erityisesti palonarkojen aineiden ja/tai kaasujen läheisyydessä.



VAROITUS! Älä koskaan käytä äänenvaimenninta ilman kipinänsammutusverkkoa, tai jos kipinänsammutusverkko on rikki. Rikkoutunut äänenvaimennin voi nostaa äänitasoa ja palonvaaraa merkittävästi. Pidä palonsammutuskalusto saatavilla. Älä koskaan käytä moottorisahaa ilman kipinänsammutusverkkoa, tai jos kipinänsammutusverkko on rikki, mikäli kipinänsammutusverkko on pakollinen varuste työskentelyalueellasi.

Terälaitte

Tässä osassa kerrotaan, miten oikealla kunnossapidolla ja oikeantyyppisiä terälaitteita käyttämällä:

- Vähennät koneen takapotkuallittuuta.
- Vähentää ketjun irtoamis- ja katkeamisvaaraa.
- Saavuttaa parhaan sahaustehon.
- Pidennät terälaitteen kestoikää.
- Estää tärinätason kasvamista.

Perussäännöt

- **Käytä vain suosittelemiamme terälaitteita!** Katso ohjeita kappaleessa Tekniset tiedot.
- **Pidä teräketjun leikkuuhampaat hyvin ja oikein teroitettuina!** Noudata ohjeitamme ja käytä suositeltua viilausohjainta. Väärin teroitettu tai vaurioitunut teräketju lisää onnettomuuksien vaaraa.
- **Pidä kouru- ja säätöhampaan korkeusero oikeana!** Noudata ohjeitamme ja käytä suositeltua säätöhampaan viilausohjainta. Liian suuri korkeusero lisää takapotkun vaaraa.
- **Pidä teräketju kireällä!** Liian löysä teräketju lisää teräketjun irtoamisvaaraa sekä lisää terälevyn, teräketjun ja ketjupyörän kulumista.
- **Voitele terälaitte hyvin ja huolla se oikein!** Riittämättömästi voideltu teräketju lisää teräketjun katkeamisvaaraa sekä lisää terälevyn, teräketjun ja ketjupyörän kulumista.

Takapotkuja ehkäisevä terälaitte



VAROITUS! Väärä terälaitte tai väärä terälevy/teräketjuyhdistelmä lisää takapotkun vaaraa! Käytä vain suosittelemiamme terälevy/teräketjuyhdistelmiä ja noudata teroitusohjeita. Katso ohjeita kappaleessa Tekniset tiedot.

Takapotkut voidaan välttää vain siten, että sinä käyttäjänä huolehdit siitä, että terälevyn takapotkusektori ei koskaan osu mihinkään esineeseen.

YLEISET TURVAOHJEET

Käyttämällä terälaitetta, jossa on "sisäänrakennettu" takapotkusuoja, sekä teroittamalla ja huoltamalla teräketjun oikein voidaan takapotkun voimakkuutta vähentää.

Terälevy

Mitä pienempi kärkisäde, sitä pienempi takapotkualtius.

Teräketju

Teräketju koostuu erilaisista lenkeistä, joiden rakenne voi olla joko vakio tai takapotkuja ehkäisevä.

TÄRKEÄÄ! Yksikään teräketju ei eliminoi takapotkuvaraa.



VAROITUS! Jokainen pyörivän teräketjun kosketus voi aiheuttaa erittäin vakavia vahinkoja.

Terälevyn ja teräketjun määritteleviä käsitteitä

Kaikkien terälaitteen turvalaitteiden pitäminen toimintakelpoisena edellyttää, että kuluneet ja vaurioituneet terälevy/teräketjuyhdistelmät vaihdetaan Husqvarnan suosittelemiin terälevyihin ja teräketjuihin. Katso tiedot suosittelemistamme terälevy/ ketjuyhdistelmistä otsikon Tekniset tiedot alta.

Terälevy

- Pituus (tuumaa/cm)
- Kärkipyörän hampaiden lukumäärä (T).
- Teräketjun jako (=pitch) (tuumaa). Terälevyn kärkipyörän ja moottorisahan ketjupyörän on oltava sovitettu vetolenkkien välisen etäisyyden mukaan. (14)
- Vetolenkkien lukumäärä (kpl). Vetolenkkien lukumäärä riippuu terälevyn pituudesta, ketjujaosta ja kärkipyörän hampaiden lukumäärästä.
- Terälevyn ohjausuran leveys (tuumaa/mm). Ohjausuran leveyden on oltava sovitettu teräketjun vetolenkkien vahvuuden mukaan.
- Teräketjun öljyreikä ja ketjunkturistystapin reikä. Terälevyn on oltava sovitettu moottorisahan rakenteen mukaan. (15)

Teräketju

- Teräketjun jako (=pitch) (tuumaa) (14)
- Vetolenkin vahvuus (mm/tuumaa) (16)
- Vetolenkkien lukumäärä (kpl) (17)

Teräketjun teroitus ja kouru- ja säätöhampaan korkeuseron säätö

Yleistä kouruhampaan teroittamisesta

- Älä koskaan sahaa tylsällä teräketjulla. Teräketju on tylsä, jos sinun täytyy painaa terälaitetta puuhun ja jos sahanpuru on erittäin hienoa. Jos teräketju on erittäin tylsä, ei lastuja synny lainkaan. Tuloksena on vain sahausouho.

- Hyvin teroitettu teräketju painuu itsestään puun läpi ja tekee suuria ja pitkiä lastuja.
- Teräketjun leikkaavaa osaa kutsutaan hammaslenkiksi ja sen osat ovat kouruhampas (A) ja säätöhampas (B). Näiden korkeusero ratkaisee leikkuusyvyyden. (18)

Kouruhampaan teroituksessa on otettava huomioon neljä mittaa.

- 1 Viilauskulma (19)
- 2 Etukulma (20)
- 3 Viilan asento (21)
- 4 Pyöröviilan halkaisija

Teräketjua on erittäin vaikea teroittaa oikein ilman apuvälineitä. Siksi suosittelemme viilausohjaimemme käyttöä. Ohjain varmistaa, että teräketju teroitetaan niin, että se ehkäisee mahdollisimman hyvin takapotkuja ja antaa mahdollisimman hyvän sahaustehon. (22)

Katso luvusta Tekniset tiedot, mitkä arvot pätevät sinun moottorisahasi teräketjun teroittamiseen.



VAROITUS! Teroitusohjeista poikkeaminen lisää teräketjun takapotkualttiutta merkittävästi.

Kouruhampaan teroitus



Kouruhampaan teroitusta varten tarvitaan pyöröviila ja viilausohjain. Katso luvusta Tekniset tiedot, mitä pyöröviilan halkaisijaa ja viilausohjainta suositellaan moottorisahasi teräketjulle.

- Tarkasta, että teräketju on kireällä. Riittämätön kiristys tekee teräketjusta epävakaa sivusuunnassa, mikä vaikeuttaa oikeaa teroitusta.
- Viilaa aina kouruhampaan sisäsvilulta ulospäin. Kevennä otetta paluuvendon ajaksi. Viilaa kaikki hampaat ensin toiselta sivulta, käännä sen jälkeen moottorisaha ja viilaa hampaat myös toiselta sivulta.
- Viilaa kaikki hampaat yhtä pitkiksi. Kun kouruhampaan pituudesta on jäljellä enää 4 mm (5/32"), on teräketju loppuunkulunut ja se on vaihdettava. (23)

Yleistä kouru- ja säätöhampaan korkeuseron säädöstä

- Kouruhammasta teroittaessa pienenee kouru- ja säätöhampaan korkeusero (= leikkuusyvyyks). Parhaimman leikkuutehon säilyttämiseksi täytyy säätöhampas alentaa suositellulle tasolle. Katso luvusta Tekniset tiedot, kuinka suuri korkeusero sinun moottorisahasi teräketjussa tarvitaan. (24)



VAROITUS! Liian suuri korkeusero lisää teräketjun takapotkualttiutta!

YLEISET TURVAOHJEET

Kouru- ja säätöhampaan korkeuseron säätäminen



- Kun kouru- ja säätöhampaan korkeusero säädetään, täytyy kouruhampaiden olla vastateroitettut. Suosittelemme, että korkeusero säädetään joka kullmannella teräketjun teroituskerralla. HUOM! Tämä suositus edellyttää, ettei kouruhampaita ole viilattu poikkeuksellisen lyhyiksi.
- Kouru- ja säätöhampaan säätöä varten tarvitaan lattaviila ja säätöhampaan viilausohjain. Suosittelemme, että käytät säätämässä viilausohjaintamme, jotta säätöhampaan mitta ja kulma tulevat oikeiksi.
- Paina viilausohjain teräketjun päälle. Ohjeita viilausohjaimen käytöstä löytyy pakkauksesta. Hio lattaviilalla pois liika materiaali säätöhampaan ylityöntyvistä osasta. Korkeusero on oikea, kun viilaa ohjaimen yli vedettäessä ei tunnu lainkaan vastusta. (25)

Teräketjun kiristäminen



VAROITUS! Riittämätön kiristys voi aiheuttaa teräketjun irtoamisen, mikä voi aiheuttaa vakavan, jopa hengenvaarallisen tapaturman.

Mitä enemmän käytät teräketjua, sitä pitemmäksi se venyy. On tärkeää säätää terälaitetta ketjun pituusmuutoksen mukaan.

Teräketjun kireys tulee tarkastaa aina tankkauksen yhteydessä. HUOM! Uusi teräketju vaatii sisäänajon, jonka aikana teräketjun kireys on tarkastettava useammin.

Teräketju on kiristettävä mahdollisimman tiukalle, ei kuitenkaan niin kireälle, ettei se pyöri kevyesti käsin pyöritettäessä. (26)

435 II, 440 II



- Löysää terälevyn mutteri, joka lukitsee kytkinkotelon/ ketjujarron. Käytä yhdistelmäavainta. Kiristä sen jälkeen terälevyn mutteri käsin niin tiukalle kuin voit. (27)
- Nosta terälevyn kärjestä ja kiristä teräketju kiertämällä teräketjun kiristysruuvia yhdistelmäavaimella. Kiristä teräketjua, kunnes se ei enää riipu löysällä terälevyn alapuolella. (28)

- Kiristä terälevyn mutteri yhdistelmäavaimella, samalla kun pidät terälevyn kärkeä ylhäällä. Tarkasta, että teräketjua on helppo pyörittää käsin ja ettei se roiku löysänä terälevyn alapuolella. (29)

Teräketjun kiristysruuvin paikka vaihtelee moottorisahamalleissamme. Katso luvusta Koneen osat, missä se on sinun mallissasi.

435e II, 440e II



- Vapauta väännin kääntämällä se ulos (30)
- Löysää laipan suojusta kääntämällä väännintä vastapäivään. (31)
- Lisää (+) ketjun kireyttä kääntämällä pyörää alas tai vähennä (-) sitä kääntämällä pyörää ylös. (32)
- Kiristä laipan kiinnitys kääntämällä väännintä myötäpäivään. (33)
- Lukitse kireys kääntämällä väännin takaisin sisään. (34)

Terälaitteen voitelu



VAROITUS! Riittämätön terälaitteen voitelu voi aiheuttaa teräketjun katkeamisen, mikä voi aiheuttaa vakavan, jopa hengenvaarallisen tapaturman.

Teräketjuöljy

Teräketjuöljyn ketjuun tarttuvuuden ja juoksevuusominaisuuksien on oltava hyvät huolimatta siitä, onko lämmin kesä tai kylmä talvi.

Moottorisahan valmistajana olemme kehittäneet optimaalisen teräketjuöljyn, joka kasviöljypohjaisena on lisäksi biologisesti hajoaavaa. Suosittelemme öljymme käyttämistä, sillä se pidentää niin teräketjun kuin ympäristönkin elinikää. Jos teräketjuöljyämme ei ole saatavissa, suosittelemme tavallista teräketjuöljyä.

Älä koskaan käytä jäteöljyä! Se on vahingollista sekä sinulle, koneelle että ympäristölle.

TÄRKEÄÄ! Kun käytät kasvipohjaista teräketjuöljyä, pura ja puhdista terälevyn ohjausura ja teräketju ennen kuin siirrä sahan pitkäaikaissäilytykseen. Muuten teräketjuöljy voi hapettua, jolloin teräketju jäykistyy ja terälevyn kärkipyörä ei toimi kunnolla.

Teräketjuöljyn lisääminen

- Kaikissa moottorisahamalleissamme on automaattinen teräketjuvoitelu. Osaan malleista on saatavana myös öljynvirtauksen säätö.
- Teräketjuöljysäiliö ja polttoainesäiliö on mitoitettu niin, että polttoaine loppuu ennen teräketjuöljyä. Tämä turvatoiminto edellyttää kuitenkin oikealaatuisen teräketjuöljyn käyttämistä (liian ohut ja

YLEISET TURVAOHJEET

juokseva öljy loppuu ennen polttoainesäiliön tyhjentymistä), kaasuttimen säätösuositustemme noudattamista (liian "lahalla" säädöllä polttoaine kestää pitempään kuin teräketjuöljy) ja terälaitetta koskevien suositustemme noudattamista (liian pitkä terälevy vaatii enemmän ketjuöljyä).

Teräketjuvoitelun tarkastus

- Tarkasta teräketjuvoitelu aina tankkauksen yhteydessä.

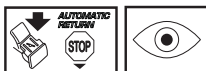
Aseta terän kärki noin 20 cm:n (8 tuuman) päähän kiinteästä vaaleapintaisesta esineestä. Kun moottorisahaa käytetään 3/4-kaasulla 1 minuutin ajan, on vaaleaan esineeseen jäätävä selvästi erottuva öljyvana.

Jos teräketjuvoitelu ei toimi:

- Tarkasta, että terälevyn teräketjuöljykanava on auki. Puhdista tarvittaessa. (35)
- Tarkasta, että ohjausura on puhdas. Puhdista tarvittaessa. (36)
- Tarkasta, että terälevyn kärkipyörä pyörii kevyesti ja että kärkipyörän voitelureikä on auki. Puhdista ja voitele tarvittaessa. (37)

Jos teräketjuvoitelu ei toimi edellä lueteltujen tarkastusten ja korjaustoimenpiteiden jälkeenkään, on sinun otettava yhteys huoltoilikkeeseen.

Ketjupyörä



Kytinrummun ketjupyörää on kahta mallia:

- A Spur-ketjupyörä (ketjupyörä valettu kiinni rumpuun)
- B Rim-ketjupyörä (vaihde) (38)

Tarkasta säännöllisesti ketjupyörän kuluneisuus. Vaihda, jos se on epätavallisen kulunut. Ketjupyörä on vaihdettava aina teräketjun vaihdon yhteydessä.

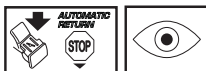
Neulalaakerin voitelu



Molempien ketjupyörämallien käyttöäksellisa on neulalaakeri, joka on voideltava säännöllisesti (viikoittain). HUOM! Käytä hyvälaatuista laakerirasvaa tai moottoriöljyä.

Katso ohjeet otsikon Kunnossapito, Neulalaakereiden voitelu alta.

Terälaitteen kulumisen tarkastus



Tarkasta teräketjusta päivittäin:

- Onko niiteissä ja lenkeissä näkyviä säröjä.

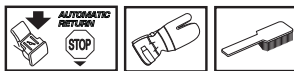
- Onko teräketju jäykkä.
- Ovatko niitit ja lenkit epätavallisen kuluneet.

Poista teräketju käytöstä, mikäli siinä on havaittavissa yksi tai useampi yllä mainituista kohdista.

Suosittelemme, että tarkastat teräketjun kuluneisuuden vertaamalla sitä uuteen teräketjuun.

Viilaa kaikki hampaat yhtä pitkiksi. Kun kouruhampaan pituudesta on jäljellä enää 4 mm (5/32"), on teräketju loppuunkulunut ja se on vaihdettava. (23)

Terälevy



Tarkasta säännöllisesti:

- Onko ohjauskiskojen ulkosivuilla kierrettä. Poista tarvittaessa viilaamalla.
- Onko ohjausura epätavallisen kulunut. Vaihda terälevy tarvittaessa.
- Onko terälevyn kärki kulunut epätavallisesti tai epätasaisesti. Jos terälevyn kärkisäteen päähän terälevyn alapuolelle on tullut "kuoppa", olet sahanut liian löysällä teräketjulla.
- Terälevy on käännettävä päivittäin mahdollisimman pitkän käyttöiän varmistamiseksi.



VAROITUS! Suurin osa moottorisahaonnettomuuksista tapahtuu niin, että teräketju osuu käyttäjään.

Käytä henkilökohtaisia suojarusteita. Katso otsikon Henkilökohtainen suojarustus alla annetut ohjeet.

Älä tee mitään sellaista, mihin et katso taitosi riittävän Katso otsikoiden Henkilökohtainen suojarustus, Takapotkua ehkäisevät toimenpiteet, Terälaite ja Yleiset työohjeet alla annetut ohjeet.

Vältä tilanteita, joihin liittyy takapotkuvaara. Katso otsikon Koneen turvalaitteet alla annetut ohjeet.

Käytä suositeltua terälaitetta ja tarkasta sen kunto. Katso otsikon Yleiset työohjeet alla annetut ohjeet.

Tarkasta moottorisahan turvalaitteiden toiminta. Katso otsikoiden Yleiset työohjeet ja Yleiset turvaohjeet alla annetut ohjeet.

Terälevyn ja ketjun asennus



VAROITUS! Terälevyä käsiteltäessä on aina käytettävä käsineitä.

435 II, 440 II

- **Tarkasta, että ketjujarru ei ole lauenneessa asennossa siirtämällä ketjujarrun takapotkusuojusta etukahvaan päin. (39)**
- Ruuvaa terälevyn mutteri irti ja irrota kytkinkotelo (ketjujarru). Poista kuljetussuoja (A). (40)
- Asenna terälevy terälevyn pulttiin. Aseta terälevy takimmaiseen asentoonsa. Aseta ketju ketjupyörälle ja terälevyn ohjausuraan. Aloita terälevyn yläpuolelta. (41)
- Tarkasta, että hammaslenkkien teräsarmat ovat eteenpäin terälevyn yläpuolella.
- Asenna kytkentäkuori ja suunnittele ketjunkiristystapin sovittaminen terän syvennykseen. Tarkista, että ketjun lenkit sopivat ketjun käyttöpyörään ja että ketju sijaitsee oikein terän urassa. Kiristä terän mutteri sormilla.
- Kiristä ketju kiertämällä ketjun kiristysruuvia yhdistelmäavaimella myötäpäivään. Ketjuja on kiristettävä sen verran, ettei se roiku löysällä terälevyn alapuolella. (42)
- Ketjun kireys on oikea, kun se ei roiku löysällä terän alapuolella ja liikkuu kevyesti käsin pyöritettäessä. Kiristä terälevyn mutteri yhdistelmäavaimella pitäen samalla terälevyn kärkeä ylhäällä. (43)
- Uuden ketjun kireys on tarkastettava usein ketjun sisäänajon aikana. Tarkasta ketjun kireys säännöllisesti. Oikein kiristetty ketju takaa hyvän leikkuutehon ja pitkän kestoian. (44)

435e II, 440e II

- **Tarkasta, että ketjujarru ei ole lauenneessa asennossa siirtämällä ketjujarrun takapotkusuojusta etukahvaan päin. (45)**
- Irrota ketjunkiristyspyörä ja ota kytkinkotelo (ketjujarru) pois. Ota kuljetussuoja pois. (A) (46)
- Asenna terälevy teräpultteihin. Aseta terälevy takimmaiseen asentoonsa. Aseta ketju ketjupyörälle ja terälevyn ohjausuraan. Aloita terälevyn yläpuolelta. (41)
- Tarkasta, että hammaslenkkien teräsarmat ovat eteenpäin terälevyn yläpuolella.
- Asenna kytkentäkuori ja suunnittele ketjunkiristystapin sovittaminen terän syvennykseen. Tarkista, että ketjun lenkit sopivat ketjun

käyttöpyörään ja että ketju sijaitsee oikein terän urassa.

- Kiristä ketjuja kääntämällä pyörää alas (+). Ketju tulee kiristää niin, ettei se roiku laipan alapuolella. (32)
- Ketju on oikein kiristetty silloin, kun se ei roiku laipan alapuolella, mutta liikkuu kuitenkin helposti kädellä siirrettäessä. Pidä laipan kärkeä ylhäällä ja kiristä laipan kiinnitys kääntämällä väännintä myötäpäivään. (33)
- Uuden ketjun kireys on tarkastettava usein ketjun sisäänajon aikana. Tarkasta ketjun kireys säännöllisesti. Oikein kiristetty ketju takaa hyvän leikkuutehon ja pitkän kestoian. (44)

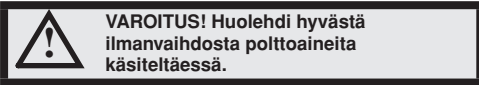
Kuorituen asennus

Ota yhteys huoltoliikkeeseen kuorituen asentamiseksi. (47)

POLTTOAINEEN KÄSITTELY

Polttoaine

Huom! Kone on varustettu kaksitahtimoottorilla, jota on aina käytettävä bensiiniin ja kaksitahtimoottoriöljyn sekoituksella. Oikean seossuhteen varmistamiseksi on tärkeää mitata sekoitettava öljymäärä tarkasti. Pieniä polttoainemääriä sekoitettaessa öljymäärän pienetkin virheellisuudet vaikuttavat voimakkaasti seossuhteeseen.



Bensiini



- Käytä lyijytöntä tai lyijyistä laatubensiiniä.
- Suositeltu alin oktaaniluku on 90 (RON). Jos moottoria käytetään bensiinillä, jonka oktaaniluku on pienempi kuin 90, voi seurauksena olla nk. nakutus. Tämä nostaa moottorin lämpötilaa ja lisää laakereiden kuormitusta, mistä voi seurata vakavia moottorivaurioita.
- Työhön, jossa sahaa käytetään jatkuvasti suurella pyörimisnopeudella (esim. karsinta), suositellaan suurempaa oktaanilukua.

Ympäristöpolttoaine

HUSQVARNA suosittelee käyttöön ympäristöbensiiniä (niin kutsuttua alkylaattipolttoainetta), joko valmiiksi sekoitettua Aspen-kaksitahtibensiiniä tai nelitahtimoottoreille tarkoitettua ympäristöbensiiniä kaksitahtioilyllä sekoitettuna alla olevan mukaisesti. Huomaa, että kaasuttimen säätöä voidaan joutua muuttamaan polttoainetyypin vaihtuessa (katso ohjeet otsikon Kaasutin alta).

Etanolinpolttoaine

HUSQVARNA suosittelee yleisesti myynnissä olevaa polttoainetta, jonka etanolipitoisuus on enintään 10 %.

Sisäänajo

Pitkäaikaista käyttämistä liian korkeilla kierrosnopeuksilla tulee välttää ensimmäisten 10 tunnin aikana.

Kaksitahtioily

- Parhaan tuloksen ja suorituskyvyn saavuttamiseksi suositellaan HUSQVARNAN kaksitahtioilyä, joka on suunniteltu erityisesti meidän ilmajäähdytteille kaksitahtimoottoreillemme.
- Älä koskaan käytä kaksitahtioilyä, joka on tarkoitettu vesijäähdytteille ulkolaitamoottoreille, eli nk. outboardoil-öilyä (nimitetään TCW:ksi).
- Älä koskaan käytä nelitahtimoottoreille tarkoitettua öilyä.
- Alhainen öilynlaatu tai liian rasvainen öily/polttoainesekoitus voivat vaarantaa katalysaattorin toiminnan ja lyhentää sen käyttöikää.

Seossuhde

1:50 (2 %) HUSQVARNAN kaksitahtioily.

1:33 (3 %) muut ilmajäähdytteille kaksitahtimoottoreille tarkoitetut öilyt, luokitus JASO FB/ISO EGB.

Bensiini, litraa	Kaksitahtioily, litraa	
	2% (1:50)	3% (1:33)
5	0,10	0,15
10	0,20	0,30
15	0,30	0,45
20	0,40	0,60

Sekoitus

- Sekoita bensiini ja öily aina puhtaassa bensiinille hyväksytyssä astiassa.
- Lisää aina ensin puolet sekoitettavasta bensiinistä. Lisää sen jälkeen koko öljymäärä. Sekoita (ravista) polttoainesesta. Lisää loput bensiinistä.
- Sekoita (ravista) polttoaineseos huolellisesti ennen koneen polttoainesäiliön täyttämistä.
- Sekoita polttoainetta enintään 1 kuukauden tarvetta vastaava määrä.
- Jos konetta ei käytetä pitkään aikaan, on polttoainesäiliö tyhjennettävä ja puhdistettava.

Ketjuöljy

- Voiteluun suositellaan erikoisöilyä (ketjuvoiteluöljyä), jolla on hyvä tarttuvuus. **(48)**
- Älä koskaan käytä jäteöilyä. Se vaurioittaa öljypumppua, terälevyä ja ketjua.
- On tärkeää käyttää ilman lämpötilaan sopivaa öljytyyppiä (oikea viskositeetti).
- Osa öljyistä menettää juoksevuuhtaan, kun ilman lämpötila laskee alle 0°C:n. Tästä voi aiheutua öljypumpun ylikuormittuminen ja pumpun osien vaurioituminen.
- Kysy huoltoliikkeestäsi neuvoa ketjuvoiteluöljyn valinnassa.

POLTTOAINEEN KÄSITTELY

Tankkaus



VAROITUS! Seuraavat turvatoimet vähentävät tulipalon vaaraa:

Älä tupakoi tankattaessa äläkä aseta kuumia esineitä polttoaineen lähelle.

Pysäytä moottori ja anna sen jäähtyä muutamia minuutteja ennen tankkausta.

Avaa polttoainesäiliön korkki hitaasti tankkauksen yhteydessä, niin että mahdollinen ylipaine häviää hitaasti.

Kiristä polttoainesäiliön korkki huolellisesti tankkauksen jälkeen.

Siirrä aina kone pois tankkauspaikalta ja polttoaineen läheisyydestä ennen käynnistämistä.

Pyyhi polttoainesäiliön korkin ympäristö puhtaaksi. Puhdista polttoaine- ja ketjuöljysäiliö säännöllisesti. Polttoainesuodatin on vaihdettava vähintään kerran vuodessa. Säiliöissä olevat epäpuhtaudet aiheuttavat käyntihäiriöitä. Varmista, että polttoaine on sekoittunut hyvin, ravistamalla astiaa ennen tankkausta. Ketjuöljy- ja polttoainesäiliön tilavuudet on sovitettu huolellisesti toisiinsa. Täytä siksi aina ketjuöljy- ja polttoainesäiliö samanaikaisesti. (48)



VAROITUS! Polttoaine ja polttoainehöyryt ovat erittäin tulenarkoja. Käsittele polttoainetta ja ketjuöljyä varovasti. Muista palo-, räjähdys- ja sisäänhengitysvaarat.

Säiliön korkin ja teräketjuöljysäiliön korkin irrottaminen

- Paina kääntösauvan korostettua aluetta alaspäin ja nosta pystyasentoon. (49)
- Avaa korkki kääntämällä sitä vastapäivään. (50)
- Poista korkki. (51)

Säiliön korkin ja teräketjuöljysäiliön korkin asentaminen paikalleen

- Vie korkki ja kääntösauva paikoilleen pystyasentoon. (52)
- Kiristä korkki kääntämällä sitä tukevasti myötäpäivään. (53)
- Taita kääntösauva alas. (54)

TÄRKEÄÄ! Vaihda aina vaurioitunut korkki.

Polttoaineturvallisuus

- Älä koskaan tankkaa konetta moottorin käydessä.
- Huolehdi hyvästä ilmanvaihdosta tankattaessa ja polttoainetta sekoitettaessa (bensini ja 2-tahtiöljy).
- Siirrä kone vähintään 3 metrin päähän tankkauspaikalta ennen käynnistämistä.
- Älä koskaan käynnistä konetta:
 - 1 Jos koneen päälle on roiskunut polttoainetta tai teräketjuöljyä. Poista kaikki roiskeet ja anna bensiinin jäännösten haihtua.
 - 2 Jos olet läikyttänyt polttoainetta itsesi päälle tai vaatteillesi, vaihda vaatteet. Pese ne ruumiinosat, jotka ovat olleet kosketuksissa polttoaineeseen. Käytä saippua ja vettä.
 - 3 Jos koneesta vuotaa polttoainetta. Tarkasta säännöllisesti, etteivät säiliön korkki ja polttoainejohdot vuoda.



VAROITUS! Älä käytä konetta, jonka syytystulpan suojuksessa tai syytyskaapelissa on näkyviä vikoja. Ne saattavat aiheuttaa kipinöintiä, joka voi johtaa tulipaloon.

Kuljetus ja säilytys

- Säilytä moottorisahaa ja polttoainetta niin, että mahdolliset vuodot ja höyryt eivät pääse kosketuksiin kipinöiden tai avotulen kanssa. Esimerkiksi sähkökoneet, sähkömoottorit, sähkökytkimet/ virtakatkaisimet, lämpökattilat tai vastaavat.
- Polttoaine on säilytettävä siihen erityisesti tarkoitetuissa ja hyväksytyissä astioissa.
- Moottorisahan pitkäaikaisen säilytyksen tai kuljetuksen aikana on sekä polttoaine- että teräketjuöljysäiliö tyhjennettävä. Kysy lähimmäiltä bensiniasemalta, mihin voit hävittää polttoaineen ja ylimääräisen teräketjuöljyn.
- Terälaitteen kuljetussuojuksen on aina oltava asennettuna koneen kuljetuksen tai säilytyksen aikana, jotta terävä teräketju ei vahingossa osu mihinkään. Myös liikkumaton ketju voi aiheuttaa vakavia vammoja käyttäjälle tai henkilöille, jotka koskevat ketjuun.
- Irrota syytystulpan suojus. Aktivoi ketjujarru.
- Varmista koneen kiinnitys kuljetuksen aikana.

Pitkäaikaissäilytys

Tyhjennä polttoaine- ja öljysäiliöt hyvin ilmastoidussa paikassa. Säilytä polttoaineet hyväksytyissä astioissa turvallisessa paikassa. Asenna terälevyn suojus. Puhdista kone. Katso otsikon Kunnossapitokaavio alla annetut ohjeet.

Varmista, että kone on puhdistettu hyvin ja että täydellinen huolto on tehty ennen pitkäaikaissäilytystä.

KÄYNNISTYS JA PYSÄYTYS

Käynnistys ja pysäytys



VAROITUS! Ennen käynnistystä on huomioitava seuraavaa:

Ketjujarron on oltava kytkettynä, kun moottorisaha käynnistetään, jotta pyörivään teräketjuun kosketuksen riski käynnistuksen aikana pienentyy.

Älä koskaan käynnistä moottorisahaa ilman, että terälevy, sahakettu ja kaikki kotelot on asennettu. Muussa tapauksessa kytkin saattaa irrota ja aiheuttaa henkilövahinkoja.

Aseta kone tukevalle alustalle. Seiso tukevasti ja varmista, ettei terälevy pääse koskettamaan esineisiin.

Varmista, ettei työalueella ole asiaankuulumattomia.

Älä koskaan kiedo käynnistysnarua kätesi ympärille.

Käynnistys

Ketjujarron on oltava kytkettynä, kun moottorisaha käynnistetään. Aktivoi jarru työntämällä takapotkusuojuksen eteenpäin. (55)

Kylmä moottori

Käynnistysasento, 1: Aseta käynnistys/pysäytyskytkin hehkustilaan vetämällä punainen säädin ulos- ja ylöspäin. (56)

Polttoainepumppu (2): Paina polttoainepumpun kumirakkoa useita kertoja, kunnes polttoainetta valuu rakkoon (vähintään 6 kertaa). Rakon ei tarvitse olla täynnä. (56)

Tartu etukahvasta vasemmalla kädellä. Työnnä vasen jalkaterä takakahvan sisään ja paina moottorisahaa maata vasten. (57)

Tartu käynnistyskahvasta, 3: Tartu käynnistyskahvasta oikealla kädellä ja vedä hitaasti käynnistysnarusta, kunnes tunnet vastuksen (kytkentäkynnet tarttuvat), ja vedä sen jälkeen nopein ja voimakkain vedoin, kunnes moottori sytyttää.

Paina punainen rikastimen säädin, 4: Heti kun moottori sytyttää, minkä kuulee puhallusäänestä, paina punainen rikastimen säädin pohjaan.

Vedä käynnistyskahvasta (5): Jatka narusta vetämistä, kunnes moottori käynnistyy.

Lämmin moottori

Käynnistysasento, 1: Sopiva rikastus/käynnistyskaasuasento käynnistykseen lämpimänä saadaan siirtämällä rikastimen säädintä aluksi vetämällä punaista säädintä ulospäin - ylöspäin. (56)

Polttoainepumppu (2): Paina polttoainepumpun kumirakkoa useita kertoja, kunnes polttoainetta valuu

rakkoon (vähintään 6 kertaa). Rakon ei tarvitse olla täynnä. (56)

Paina punainen rikastimen säädin, 3: Tämä poistaa käytöstä rikastimen, jota ei tarvita lämpimän moottorisahan käynnistykseen. Käynnitys-/sammutuskytkimen liike aktivoi kuitenkin suuren joutokäyntinopeuden, mikä helpottaa käynnistystä lämpimänä.

Vedä käynnistyskahvasta, 4: Tartu etukahvasta vasemmalla kädellä. Työnnä vasen jalkaterä takakahvan sisään ja paina moottorisahaa maata vasten. (57)

Tartu käynnistyskahvasta oikealla kädellä ja vedä hitaasti käynnistysnarusta, kunnes tunnet vastuksen (kytkentäkynnet tarttuvat), ja vedä sen jälkeen nopein ja voimakkain vedoin, kunnes moottori sytyttää.

Koska ketjujarru on yhä kytketty, täytyy moottorin kierrosroku saada mahdollisimman nopeasti tyhjäkäynnille, mikä tapahtuu vapauttamalla kaasulukko. Vapauttaminen tapahtuu antamalla kevyesti kaasua kaasuliipaisimella. Siten vältät tarpeetonta kytkimen, kytkinrummun ja jarrunauhahan kulumista. Anna moottorin käydä joutokäynnillä muutama sekunti ennen täyskaasutusta.

Sahan takareunassa (A) on yksinkertaistettu käynnistysmuistutus, jonka kuvat kuvaavat kutakin vaihetta. (57)

HUOM! Älä vedä käynnistysnarua täysin ulos äläkä irrota otetta käynnistyskahvasta, kun naru on täysin ulkona. Tämä voi vaurioittaa konetta.

Huom! Palauta ketjujarru siirtämällä takapotkusuojuksen etusankaa vasten. Moottorisaha on tällöin käyttövalmis.



VAROITUS! Moottorin pakokaasujen, ketjuöljysumun ja sahanpurupölyn pitkäaikainen sisäänhengittäminen voi olla terveydelle vaarallista.

- Älä koskaan käynnistä moottorisahaa ilman, että terälevy, sahakettu ja kaikki kotelot on asennettu oikein. Katso otsikon Asennus alla annetut ohjeet. Jos moottorisahaan ei ole asennettu terälevyjä ja ketjua, kytkin saattaa irrota ja aiheuttaa vakavia vahinkoja.
- Ketjujarron on oltava kytkettynä, kun moottorisaha käynnistetään. Katso otsikon Käynnistys ja pysäytys alla annetut ohjeet. Älä koskaan käynnistä moottorisahaa pudottamalla. Tämä menetelmä on erittäin vaarallinen, sillä moottorisahan hallinta on helppo menettää. (55)
- Älä koskaan käynnistä konetta sisätiloissa. Tiedosta moottorin pakokaasujen sisäänhengittämiseen liittyvä vaara.
- Tarkkaile ympäristöä ja varmista, ettei terälaite pääse osumaan ihmisiin tai eläimiin.
- Pidä moottorisahasta aina kiinni molemmilla käsillä. Pidä oikea käsi takakahvalla ja vasen käsi etukahvalla. **Kaikkien käyttäjien, sekä oikea- että vasenkätisten, tulee käyttää tätä otetta.** Pidä tukeva ote niin, että peukalot ja sormet ovat moottorisahan kahvan ympärillä.

KÄYNNISTYS JA PYSÄYTYS

Pysäytys

Moottori sammutetaan painamalla käynnistys-/pysäytyskosketin alas. **(59)**

HUOM! Käynnistys-/pysäytyskosketin palautuu automaattisesti käyttöasentoon. Sen vuoksi tahaton käynnistyminen on aina estettävä irrottamalla sytytystulpan suojus sytytystulpasta asennuksen, tarkastuksen ja/tai huollon ajaksi. **(60)**

Aina ennen käyttöä: (61)

- 1 Tarkasta, että ketjujarru toimii kunnolla ja että se on ehjä.
- 2 Tarkasta, että takimmainen rystyssuojus on ehjä.
- 3 Tarkasta, että kaasuliipasimen varmistin toimii kunnolla ja että se on ehjä.
- 4 Tarkasta, että pysäytyskosketin toimii kunnolla ja että se on ehjä.
- 5 Tarkasta, että kaikki kahvat ovat öljyttömät.
- 6 Tarkasta, että tärinänevaimennus toimii kunnolla ja että se on ehjä.
- 7 Tarkasta, että äänenvaimennin on kiinni ja että se on ehjä.
- 8 Tarkasta, että moottorisahan kaikki osat on kiristetty ja etteivät ne ole vioittuneet tai puutu.
- 9 Tarkasta, että ketjusieppo on paikallaan ja että se on ehjä.
- 10 Tarkasta ketjun kireyys.

Yleiset työohjeet

TÄRKEÄÄ!

Tässä osassa käsitellään moottorisahan käyttöön liittyviä yleisiä turvamääräyksiä. Annetut tiedot eivät voi koskaan korvata osaamista, jonka ammattimies on hankkinut koulutuksessa ja käytännön työssä. Kun joudut tilanteeseen, jossa moottorisahan käytön jatkaminen tuntuu epävarmalta, on sinun kysyttävä neuvoa asiantuntijalta. Käännä moottorisahaliikkeen, huoltoliikkeen tai kokeneen moottorisahan käyttäjän puoleen. Älä tee mitään sellaista, mihin et katso taitosi riittävän!

Ennen moottorisahan käyttöä sinun täytyy ymmärtää, mitä takapotku tarkoittaa ja miten se voidaan välttää. Katso otsikon Takapotkua ehkäisevät toimenpiteet alla annetut ohjeet.

Ennen moottorisahan käyttöä sinun täytyy ymmärtää terälevyn ala- ja yläosalla sahaamisen ero. Katso otsikoiden Takapotkua ehkäisevät toimenpiteet ja Koneen turvalaitteet alla annetut ohjeet.

Käytä henkilökohtaisia suojavarusteita. Katso otsikon Henkilökohtainen suojavarustus alla annetut ohjeet.

Yleiset turvamääräykset

- 1 Tarkkaile ympäristöä:
- Varmistaaksesi, etteivät ihmiset, eläimet tai muut tekijät pääse vaikuttamaan koneen hallintaan.
- Estääksesi, etteivät edellämainitut pääse koskemaan teräketjuun tai jää kaatuvan puun alle.

HUOM! Noudata edellä annettuja määräyksiä, mutta älä koskaan käytä moottorisahaa niin, ettei sinulla onnettomuustapauksissa ole mahdollisuutta kutsua apua.

- 2 Vältä käyttöä epäsuotuisissa sääoloissa. Esimerkiksi tiheässä sumussa, rankkasateessa, kovassa tuulessa, pakkasessa jne. Huonossa säässä työskentely on väsyttävää ja voi aiheuttaa

vaaratekijöitä, esimerkiksi tehdä alustasta liukkaan, vaikuttaa puun kaatosuuntaan ym.

- 3 Ole erittäin varovainen pieniä oksia katkoessasi ja vältä sahaamista pensaita (= paljon pikkuoksia yhdellä kertaa). Katkotut pikkuoksat voivat tarttua teräketjuun, sinkoutua itseäsi päin ja aiheuttaa vakavan tapaturman.
- 4 Varmista, että voit siirtyä ja seisoa turvallisesti. Katso, onko äkilliselle siirtymiselle esteitä (juuria, kiviä, oksia, kuoppia, oja jne.). Noudata suurta varovaisuutta viettävässä maastossa työskennellessäsi.
- 5 Ole erittäin varovainen jännityksessä olevia puita sahatessasi. Jännittynyt puu voi sekä ennen läpisahausta että sen jälkeen sinkoutua takaisin normaalisentoon. Jos olet väärin sijoittunut tai sahaat puun väärästä kohdasta, se voi osua sinuun tai koneeseen niin, että menetät koneen hallinnan. Molemmat tilanteet voivat aiheuttaa vakavan tapaturman.



- 6 Siirtymisen ajaksi on teräketju lukittava ketjujarrulla ja moottori sammutettava. Kanna moottorisahaa niin, että terälevy ja teräketju ovat taaksepäin. Pitempiä matkoja siirryttäessä ja kuljetuksen aikana on käytettävä teräsuojusta.
- 7 Kun asetat moottorisahan maahan, lukitse teräketju ketjujarrulla ja varmista, että kone on valvonnassasi koko ajan. Pitempään "pysäköitäessä" moottori on sammutettava.



VAROITUS! Joskus rouhe jumittuu kytkinkoteloon ja saa ketjun jumittumaan. Pysäytä aina moottori ennen puhdistusta.

Perussäännöt

- 1 Ymmärtämällä, mitä takapotku tarkoittaa ja miten se syntyy, pystyt vähentämään yllättäviä tilanteita tai kokonaan poistamaan ne. Yllättävä tilanne lisää onnettomuusvaaraa. Useimmat takapotkut ovat pieniä, mutta osa on salamannopeita ja erittäin rajuja.
- 2 Pidä moottorisaha aina tukevassa otteessa oikea käsi takakahvassa ja vasen käsi etukahvassa. Peukaloiden ja sormien on oltava kahvan ympärillä. Kaikkien käyttäjien, olivatpa he oikea- tai vasenkätisiä, on käytettävä tätä otetta. Tällä otteella pystyt parhaiten pienentämään takapotkun vaikutusta ja samalla pitämään moottorisahan hallinnassasi. **Älä irrota käsiä kahvoista!**
- 3 Useimmat takapotkuonnettomuudet sattuvat karsinnessa. Seiso tukevasti ja varmista, ettet pääse kompastumaan tai menettämään tasapainoasi maassa olevien esteiden vuoksi. Huolimattomasti toimittaessa takapotkusektori voi osua tahattomasti esimerkiksi oksaan tai lähellä olevaan puuhun ja aiheuttaa takapotkun.

Valvo työkalua. Jos sahattavat kappaleet ovat pieniä ja kevyitä, ne voivat juuttua teräketjuun ja sinkoutua sinua kohti. Vaikka se ei itsessään olisikaan vaarallista, saatat yllättyä ja menettää sahan hallinnan. Älä koskaan sahaa pinottuja pöllejä tai oksia ottamatta niitä ensin erilleen. Sahaa vain yksi pölli tai kappale kerrallaan. Siirrä sahatut kappaleet pois, jotta työalue pysyy turvallisena. (62)

4 **Älä koskaan pidä moottorisahaa olkapäitesi yläpuolella ja vältä sahaamista terälevyn kärjellä. Älä koskaan käytä moottorisahaa vain yhdellä kädellä!** (63)

5 Voidaksesi täysin hallita moottorisahaasi sinun on seisottava tukevassa asennossa. Älä koskaan työskentele seisoen tikkailla, puussa tai paikassa, jossa et voi seisoa tukevalla alustalla. (64)

6 Sahaa suurella ketjunopeudella, ts. täydellä kaasulla.

7 Ole erittäin varovainen, kun sahaat terälevyn yläosalla, ts. sahattavan alapuolelta. Tätä kutsutaan työntävällä teräketjulla sahaamiseksi. Teräketju työntää tällöin moottorisahaa taaksepäin käyttäjään päin. Jos teräketju juuttuu kiinni, saattaa moottorisaha lennähtää taaksepäin sinua kohti. (65)

8 Jos käyttäjä ei pidä paina moottorisahaa työntösuuntaa vastaan, on vaara, että moottorisaha työntyy niin kauas taaksepäin, että terästä osuu puuhun vain takapotkusektori, mistä seuraa takapotku. (66)

Terälevyn alaosa sahaamista, ts. sahattavan yläpuolelta sahaamista, kutsutaan vetävällä teräketjulla sahaamiseksi. Tällöin teräketju vetää moottorisahaa puuta kohti ja moottorisahan rungon etureuna tukee luonnollisella tavalla runkoon. Vetävällä teräketjulla sahattaessa käyttäjä pystyy paremmin hallitsemaan moottorisahaa ja näkee paremmin, missä terälevyn takapotkusektori kulloinkin on. (67)

9 Noudata terälevyn ja teräketjun viilaus- ja kunnossapito-ohjeita. Sahaassa saa käyttää vain suosittelemiamme terälevy- ja teräketjuyhdistelmiä. Katso otsikoiden Terälaite ja Tekniset tiedot alla annetut ohjeet.

Sahausten perustekniikka



VAROITUS! Älä koskaan käytä moottorisahaa pitämällä sitä yhdellä kädellä. Moottorisahaa ei voi hallita turvallisesti yhdellä kädellä. Pidä aina kahvoista molemmin käsin lujalla ja tukevalla otteella.

Yleistä

- Sahaa aina täydellä kaasulla!
- Päästä kaasu joutokäynnille aina sahausten jälkeen (pitkäaikainen käyttö täydellä kaasulla moottoria kuormittamatta, ts. ilman vastusta, jonka moottori sahattaessa saa teräketjun välityksellä, aiheuttaa vakavan moottorivaurion).
- Sahaus päältä = Sahaus "vetävällä" teräketjulla.
- Sahaus alta = Sahaus "työntävällä" teräketjulla.

Sahaus "työntävällä" teräketjulla lisää takapotkuvaaraa. Katso otsikon Takapotkuu ehkäisevät toimenpiteet alla annetut ohjeet.

Nimitykset

Katkonta = Puun läpisahausten yleisnimitys.

Karsinta = Oksien katkonta kaadetusta puusta.

Repeäminen = Katkaistava puu repeää poikki, ennen kuin sahaus on lävistänyt sen.

Ennen katkontaa on aina otettava huomioon viisi erittäin tärkeää seikkaa:

- 1 Terälaite ei saa juuttua kiinni sahausrakoon. (68)
- 2 Sahattava puu ei saa revetä. (69)
- 3 Teräketju ei saa osua maahan tai mihinkään esineeseen läpisahausten aikana tai sen jälkeen. (70)
- 4 Onko olemassa takapotkun vaara? (4)
- 5 Voivatko maasto ja ympäristöolosuhteet vaikuttaa siihen, kuinka vakaasti pystyt kävelemään ja seisomaan?

Teräketjun kiinnijuuttuminen tai sahattavan puun repeäminen johtuu kahdesta tekijästä: Miten sahattava puu on tuettu ennen ja jälkeen katkaisun, ja onko sahattava puu jännityksessä.

Edellä mainitut epätoivotut ilmiöt voidaan useimmissa tapauksissa välttää suorittamalla katkonta kahdessa vaiheessa, sekä ylä- että alapuolelta. On pystyttävä estämään sahattavan puun "taipumus" tarttua teräketjuun tai haljeta.

TÄRKEÄÄ! Jos teräketju on juuttunut sahausrakoon: pysäytä moottori! Älä yritä nykäistä moottorisahaa irti. Jos teet niin, voit loukata itsesi teräketjuun, kun moottorisaha yhtäkkiä irtoaa. Käytä vääntörautaa moottorisahan irrottamiseen.

Seuraavassa on annettu teoreettiset toimintaohjeet tavallisimpien moottorisahan käytössä eteen tulevien tilanteiden varalta.

Karsinta

Paksujen oksien karsintaan on sovellettava samaa periaatetta kuin katkontaan.

Katko hankalat oksat osissa. (71)

Katkonta



VAROITUS! Älä yritä koskaan sahata pinossa olevia pöllejä, tai kun useampi pölli on tiiviisti yhdessä. Sellainen menettää lisä dramaattisesti takapotkun vaaraa, josta voi aiheutua vakavia tai hengenvaarallisia vahinkoja.

Jos pöllit ovat pinossa, on jokainen sahattavaksi tarkoitettu pölli otettava pois pinosta, sijoitettava sahapukille tai juoksumelle ja katkaistava erikseen.

Siirrä katkaistut kappaleet pois, jotta työalue pysyy turvallisena. Jos jätät ne työalueelle, kasvatat sekä

PERUSTEKNIikka

vahingossa tapahtuvan takapotkun vaaraa että tasapainosi menettämisen vaaraa työskentelyn aikana. (72)

Tukki on maassa. Vaaraa teräketjun juuttumisesta tai puun repeämisestä ei ole. Vaara, että teräketju osuu maahan läpishauksen jälkeen, on kuitenkin suuri. (73)

Sahaa päältä tukin läpi. Sahaa loppuosa varovasti estääksesi teräketjua osumasta maahan. Sahaa täydellä kaasulla, mutta ole varuillasi. (74)

Jos mahdollista (= voiko tukkia pyörittää?), sahaa tukin läpimitasta vain 2/3.

Pyöräytä tukkia niin, että loput 1/3 voidaan sahata päältä. (75)

Tukki on tuettu toisesta päästään. Repeämisvaara on suuri. (76)

Sahaa ensin alapuolelta (noin 1/3 tukin läpimitasta).

Sahaa lopuksi päältä tarkasti alashauksen kohdalle. (77)

Tukki on tuettu molemmista päistään. Teräketjun juuttumisen vaara on suuri. (78)

Aloita sahaamalla päältä (noin 1/3 tukin läpimitasta).

Sahaa lopuksi alapuolelta tarkasti yläsahauksen kohdalle. (79)

Puunkaatotekniikka

TÄRKEÄÄ! Puun kaatamiseen tarvitaan paljon kokemusta. Kokemattoman moottorisahankäyttäjän ei tule kaataa puita. Älä tee mitään sellaista, mihin et katso taitosi riittävän!

Turvaetäisyyset

Kaadettavan puun ja lähimmän työskentelypaikan välille on jätettävä turvaväliksi 2,5 x puun pituus. Varmista, ettei tällä "vaaravyöhykkeellä" ole ketään ennen kaatoa ja sen jälkeen. (80)

Kaatosuunta

Puunkaadossa pyritään puu saamaan sellaiseen paikkaan, että tukin karsinta ja katkenta voidaan tehdä niin "helpossa" maastossa kuin mahdollista. Kävelyn ja seisomisen on oltava turvallista.

Kun olet päättänyt, mihin suuntaan haluat kaataa puun, sinun on arvioitava puun luonnollinen kaatosuunta.

Tähän vaikuttavat:

- Puun kaltevuus
- Puun vääryys
- Tuulen suunta
- Oksisto
- Mahdollinen lumikuorma
- Puun ulottuman alueella olevat esteet: esim. muut puut, voimajohdot, tiet ja rakennukset.
- Tarkasta, onko rungossa vaurioita tai lahoja kohtia, jotka saattavat aiheuttaa puun murtumisen ja ennenaikaisen putoamisen.

Tämän arvioinnin jälkeen saattaa olla pakko kaataa puu luonnolliseen kaatosuuntaansa, koska voi olla mahdotonta tai liian vaarallista yrittää kaataa se alunperin suunniteltuun suuntaan.

Toinen hyvin tärkeä tekijä, joka ei vaikuta kaatosuuntaan, mutta tylläkin henkilökohtaiseen turvallisuuteesi, on tarkastaa, ettei puussa ole vaurioituneita tai "kuolleita" oksia, jotka saattavat katketa ja vahingoittaa sinua kaadon aikana.

Ennen kaikkea on vältettävä kaatuvan puun tarttuminen toiseen puuhun. Kiinni kaadetun puun pudottaminen on erittäin vaarallista. Tilanteessa on erittäin suuri onnettomuusvaara. Katso otsikon Epäonnistuneiden kaatojen käsittely alla annetut ohjeet. (81)

TÄRKEÄÄ! Kriittisen kaatovaiheen aikana on kuulonsuojaimet käännettävä ylös heti sauhksen jälkeen, jotta äännet ja varoitussignaalit voidaan huomioda.

Alaoksien karsinta ja väistämistie

Karsi runko hartiatasoon asti. Turvallisinta on työskennellä ylhäältä alaspäin ja niin, että runko on aina itsesi ja moottorisahan välissä. (82)

Raivaa alakasvillisuus ja huomioi mahdolliset esteet (kivet, oksat, kuopat jne.), niin että sinulla on esteetön väistämistie, kun puu alkaa kaatua. Väistämistie on tehtävä noin 135° takaviistoon puun suunniteltuun kaatosuuntaan nähden. (83)

- 1 Vaaravyöhyke
- 2 Väistämistie
- 3 Kaatosuunta

Kaato



VAROITUS! Kehotamme käyttäjiä, joilla ei ole riittävää pätevyyttä, luopumaan kaadosta, jos terälevyn pituus on pienempi kuin kaadettavan rungon läpimita!

Kaato tehdään kolmella sauhksella. Ensin sahataan kaatolovi, joka käsittää yläsahauksen ja alashauksen, minkä jälkeen tehdään lopullinen kaato kaatosahauksella. Tekemällä nämä sauhukset oikeisiin kohtiin voidaan puun kaatosuunta ohjata erittäin tarkasti.

Kaatolovi

Kaatoloven sahaus aloitetaan tekemällä tyveen yläsahaus. Etsi sahan kaatosuuntamerkin (1) avulla edempänä maastossa kohta, jonne haluat puun kaatuvan (2). Seiso puun oikealla puolella, sahan takana, ja sahaa vetävällä teräketjulla.

Sahaa sen jälkeen alashahaus tarkasti yläsahauksen kärkeen. (84)

Kaatoloven syvyyden tulee olla 1/4 rungon läpimitasta ja ylä- ja alashauksen välisen kulman vähintään 45°.

Ylä- ja alashauksen kohtaamis pistettä kutsutaan kaatoloviinjaksi. Kaatoloviinjan on oltava tarkasti vaakasuorassa ja muodostettava samalla suora kulma (90°) valittuun kaatosuuntaan nähden. (85)

Kaatosahaus

Kaatosahaus tehdään puun toiselta puolelta ja ehdottomasti vaakasuoraan. Seiso puun vasemmalla puolella ja sahaa vetävällä teräketjulla.

Tee kaatosahaus noin 3-5 cm (1,5-2 tuumaa) vaakasuoraan kaatoloven pohjatason yläpuolelle. (86)

Työnnä kuorituki (jos sellainen on asennettu) pitopuun taakse. Sahaä täydellä kaasulla ja työnnä teräketju/terälevy hitaasti puuhun. Ole varuillasi siitä varalta, että puu liikkuu valitun kaatosuunnan päinvastaiseen suuntaan. Pane kaatokiila tai kaatorauta kaatosahausrakoon heti, kun se on riittävän syvä.

Kaatosahaoksen on päätyttävä samansuuntaisesti kaatolovilinjaan nähden, niin että niiden väliin jää vähintään 1/10 rungon läpimitasta. Läpisaahaamatonta rungon osaa kutsutaan pitopuuksi.

Pitopuu toimii saranana, joka ohjaa puun oikeaan kaatosuuntaan. (87)

Puun kaatosuunta ei pysy hallinnassa, jos pitopuu on liian pieni tai jos kaatolovi ja kaatosahaus on tehty väärään paikkaan. (88)

Kun kaatolovi ja kaatosahaus on tehty, on puun kaaduttava itsestään tai kaatokiilan tai kaatoraudan avulla. (89)

Suosittellemme rungon läpimittaa pitemmän terälevyn käyttämistä, jolloin kaatosahaus ja -lovi voidaan tehdä nk. "yksinkertaisella pistosahauskella". Katso luvusta Tekniset tiedot, mitä terälevypituutta suositellaan sinun moottorisahamallillesi.

Käytössä on menetelmiä, joilla voidaan kaataa terälevyn pituutta paksumpia puuta. Näitä menetelmiä käytettäessä on erittäin suuri vaara, että terälevyn takapotkusektori osuu johonkin. (4)

Epäonnistuneiden kaatojen käsittely

"Kiinni kaadetun" puun pudottaminen

Kiinni kaadetun puun pudottaminen on erittäin vaarallista. Tilanteessa on erittäin suuri onnettomuusvaara.

Älä yritä koskaan sahata toisen puun alle jäänyttä puuta.

Älä työskentele koskaan toisen puun päälle riippumaan jääneen puun vaara-alueella. (90)

Turvallisin tapa on käyttää vinssiä.

- Traktoriin asennettu
- Siirrettävä

Jännityksessä olevien puiden ja oksien sahaus

Valmistelut: Arvioi, mihin suuntaan jännitys vaikuttaa ja missä katkaisupiste on (ts. se kohta, jossa puu katkeaisi, jos se jännittyisi vielä enemmän). (91)

Päätä, miten parhaiten laukaiset jännityksen ja pystytkö tekemään sen. Erittäin vaikeissa tilanteissa ainoa turvallinen menetelmä on luopua moottorisahan käytöstä ja käyttää vinssiä.

Yleissääntö:

Sijoitu niin, ettei ole vaaraa, että puu/oksa osuu sinuun, kun jännitys laukeaa. (92)

Tee yksi tai useampia sahausviiltoja lähelle katkaisupistettä. Sahaä niin syväälle ja niin monta viiltoa, että puun/oksan jännitys laukeaa ja puu/oksa "katkeaa" katkaisupisteestä. (93)

Älä koskaan sahaa jännityksessä olevaa puuta kokonaan poikki!

Jos sahaat puun/oksan läpi, tee kaksi tai kolme sahausrakoa 3 cm välein, syvyys 3-5 cm. (94)

Jatka sahaamista syvemmälle kunnes puun/oksan vääntyminen ja jännitys vapautuvat. (95)

Sahaä puu/oksa vastakkaiselta puolelta, kun jännitys on vapautunut.

Takapotkua ehkäisevät toimenpiteet



VAROITUS! Takapotkut voivat olla salamannopeita, yllättäviä ja rajuja ja voivat singota moottorisahan, terälevyn ja teräketjun päin käyttäjää. Jos teräketju pyörii osuessaan käyttäjään, saattaa seurauksena olla erittäin vakava, jopa hengenvaarallinen tapaturma. On tärkeää ymmärtää, mikä aiheuttaa takapotkut ja että ne voidaan välttää varovaisuudella ja oikealla työtekniikalla.

Mikä takapotku on?

Takapotkuksi kutsutaan äkillistä ilmiötä, jossa moottorisaha ja terälevy sinkoutuvat esineestä, johon terälevyn kärjen ylin neljännes, nk. takapotkusektori, on osunut. (66)

Takapotkut suuntautuvat aina terätason suuntaan. Tavallisimmin moottorisaha ja terälevy sinkoutuvat ylös taaksepäin käyttäjää kohti. Kuitenkin takapotku voi suuntautua myös muihin suuntiin riippuen siitä, missä asennossa moottorisaha on sillä hetkellä, kun terälevyn takapotkusektori osuu esineeseen. (7)

Takapotku voi tapahtua vain, kun terälevyn takapotkusektori osuu johonkin esineeseen. (4)

Karsinta



VAROITUS! Useimmat takapotkuonnettomuudet sattuvat karsinnassa. Älä käytä terälevyn takapotkusektoria. Ole äärimmäisen varovainen ja vältä terälevyn kärjen osumista pölliin, muihin oksiin tai esineisiin. Ole äärimmäisen varovainen jännitteessä olevien oksien kohdalla. Ne voivat joustaa takaisin sinuun päin ja aiheuttaa kontrollin menettämisen, jolloin seurauksena voi olla vahinkoja.

Varmista, että voit liikkua ja seisoa turvallisesti! Seiso rungon vasemmalla puolella. Ole mahdollisimman lähellä moottorisahaa voidaksesi hallita sitä mahdollisimman hyvin. Aina kun mahdollista tulee sahan painon antaa levätä runkoa vasten.

Siirry vain silloin, kun runko on sinun ja moottorisahan välissä.

Rungon katkonta

Katso otsikon Sahaoksen perustekniikka alla annetut ohjeet.

Yleistä

Käyttäjää saa tehdä ainoastaan sellaisia huolto- ja kunnostustehtäviä, jotka on kuvattu tässä käyttöohjeessa. Laajemmat toimenpiteet tulee antaa valtuutetun huoltokorjaamon tehtäväksi.

Kaasuttimen säätö

Husqvarna-tuotteesi on suunniteltu ja valmistettu niin, että se vähentää haitallisia pakokaasuja.

Toiminta

- Kaasutin ohjaa kaasuliipasin välityksellä moottorin pyörimisnopeutta. Kaasuttimessa ilma ja polttoaine sekoittuvat keskenään. Tätä ilmaa ja polttoainetta seosta voidaan säätää. Jotta koneen suurin teho saataisiin hyödynnettyksi, säädön on oltava oikea.
- T-ruuvi säätelee kaasuläpän perusasentoa joutokäynnillä. Kiertämällä T-ruuvia myötäpäivään saadaan suurempi joutokäyntinopeus ja kiertämällä sitä vastapäivään saadaan hitaampi joutokäyntinopeus.

Perussäätö ja sisäänajo

Kaasuttimelle tehdään perussäätö tehtaalla koekäytön yhteydessä. Hienosäätö on annettava pätevän henkilön suorittavaksi.

Suositeltu joutokäyntinopeus: Katso luku Tekniset tiedot.

Joutokäynnin hienosäätö T

Joutokäynnin säätö suoritetaan ruuvilla, joka on merkitty T-kirjaimella. Jos säätö on tarpeen, kierrä T-ruuvia myötäpäivään moottorin käydessä, kunnes ketju alkaa pyöriä. Kierrä T-ruuvia sen jälkeen vastapäivään, kunnes ketju pysähtyy. Joutokäyntipyörimisnopeus on oikea, kun moottori käy tasaisesti kaikissa asennoissa ja säädössä on hyvä marginaali siihen kierrosluukuun, jolla ketju alkaa pyöriä.



VAROITUS! Jos joutokäyntiä ei voi säätää niin, ettei ketju pyöri, ota yhteys huoltoliikkeeseen. Älä käytä moottorisahaa, ennen kuin se on säädetty oikein tai korjattu.

Oikein säädetty kaasutin

Kun kaasutin on säädetty oikein, kone kiihtyy moitteettomasti ilman viivettä ja käy lievästi nelistäen täydellä kaasulla. Ketju ei saa pyöriä joutokäynnillä. Liian laihalle säädetty L-suutin voi aiheuttaa käynnistysongelmia ja huonon kiihtyvyyden. Liian laihalle säädetty H-suutin heikentää tehoa, aikaansaa huonon kiihtyvyyden ja/tai moottorivaurion.

Moottorisahan turvalaitteiden tarkastus, kunnossapito ja huolto

Huom! Kaikki koneen huolto- ja korjaustyöt vaativat erikoiskoulutusta. Tämä koskee erityisesti koneen turvalaitteita. Jos koneessa havaitaan puutteita alla luetelluissa tarkastuksissa, suosittelemme että otat yhteyttä huoltoliikkeeseen.

Takapotkusuojuksella varustettu ketjujarru

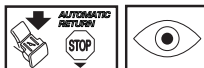
Jarruhinnan kuluneisuuden tarkastus



Puhdista ketjujarru ja kytkinrumpu sahanpurusta, pihkasta ja liasta. Lika ja kuluminen vaikuttavat jarrun toimintaan. (96)

Tarkasta säännöllisesti, että jarruhinnan paksuus sen kuluneimmassa kohdassa on vähintään 0,6 mm.

Takapotkusuojuksen tarkastus



Tarkasta, että takapotkusuojus on ehjä eikä siinä ole näkyviä vikoja, esim. materiaalihalkeamia.

Siirrä takapotkusuojusta edestakaisin tarkastaaksesi, että se liikkuu kevyesti ja että se on tukevasti kiinni nivelessään kytkinkotelossa.

Automaattisen pysäytystoiminnon tarkastus



Pidä moottorisahaa, moottori sammutettuna, kannon tai muun kiinteän esineen päällä. Irrota ote etukahvasta ja anna moottorisahan pyöriä takakahvan ympäri omalla painolla alas kantoa kohden. (97)

Kun terälevyn kärki osuu kantaan, on jarrun lauettava. (98)

Jarrutustehon tarkastus

Aseta moottorisaha tukevalle alustalle ja käynnistä se. Varmista, että teräketju ei pääse osumaan maahan tai mihinkään esineeseen. Katso ohjeet otsikon Käynnistys ja pysäytys alla annetut ohjeet. (99)

Pidä moottorisahasta tukevalla otteella peukalot ja sormet kierrettyinä kahvojen ympärillä.

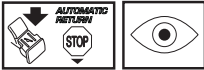
Anna täyskaasu ja laukaise ketjujarru kääntämällä vasen ranne takapotkusuojusta vasten. Älä päästä otetta irti etukahvasta. **Ketjun on pysähdyttävä välittömästi. (58)**

Kaasuliipasimen varmistin



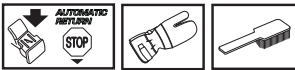
- Tarkasta, että kaasuliipasin on lukittu joutokäyntiasentoon, kun kaasuliipasimen varmistin on lähtöasennossaan. **(100)**
- Paina varmistin sisään ja tarkasta, että se palautuu lähtöasentoonsa, kun se vapautetaan. **(101)**
- Tarkasta, että kaasuliipasin ja varmistin liikkuvat kevyesti ja että niiden palautusjouset toimivat. **(102)**
- Käynnistä moottorisaha ja anna täyskaasu. Vapauta kaasuliipasin ja tarkasta, että ketju pysähtyy ja pysyy liikkumattomana. Jos ketju pyörii, kun kaasuliipasin on joutokäyntiasennossa, on kaasuttimen joutokäyntiasäätö tarkastettava.

Ketjusieppo



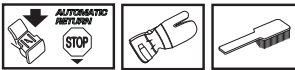
Tarkasta, että ketjusieppo on ehjä ja että se on kiinni moottorisahan rungossa. **(103)**

Rystyssuojus



Tarkasta, että rystyssuojus on ehjä ja ettei siinä ole näkyviä vikoja, esim. halkeamia. **(11)**

Tärinävaimennus



Tarkasta säännöllisesti, ettei vaimentimissa ole halkeamia tai vääntymiä. Tarkasta, että vaimentimet ovat tukevasti kiinni moottoriyksikön ja kahvaosan välissä. **(104)**

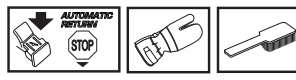
Pysäytin



Käynnistä moottori ja tarkasta, että moottori pysähtyy, kun pysäytin siirretään pysäytysasentoon. **(59)**

HUOM! Käynnistys-/pysäytyskosketin palautuu automaattisesti käyttöasentoon. Sen vuoksi tahaton käynnistyminen on aina estettävä irrottamalla sytytystulpan suojuus sytytystulpasta asennuksen, tarkastuksen ja/tai huollon ajaksi.

Äänenvaimennin



Älä koskaan käytä konetta, jonka äänenvaimennin on rikki.

Tarkasta säännöllisesti, että äänenvaimennin on kunnolla kiinni koneessa. **(105)**

Jotkut äänenvaimentimet on varustettu erityisellä kipinänsammutusverkolla. Jos koneesi on varustettu tällaisella äänenvaimentimella, on verkko puhdistettava viikoittain. Puhdistus käy parhaiten teräsharjalla. Tukkeutunut verkko aiheuttaa moottorin kuumentumisen, mistä seuraa vakava moottorivaurio.

Huom! Jos verkko on vioittunut, se on vaihdettava.

Tukkeutunut verkko aiheuttaa moottorin ylikuumentumisen, mistä seuraa sylinteri- ja mäntävaurioita. Älä koskaan käytä konetta, jonka äänenvaimennin on huonossa kunnossa. **Älä koskaan käytä äänenvaimenninta ilman kipinänsammutusverkkoa, tai jos kipinänsammutusverkko on rikki. (13)**

Äänenvaimennin vaimentaa äänitasoa ja ohjaa pakokaasut käyttäjästä pois päin. Pakokaasut ovat kuumia ja voivat sisältää kipinöitä, jotka voivat aiheuttaa tulipalon, jos pakokaasut suunnataan kohti kuivaa ja palavaa materiaalia.

Käynnistin



VAROITUS! Palautusjouset on jännitetyssä asennossa käynnistinkotelossa ja saattaa varomattomasti käsiteltynä ponnahtaa ulos ja aiheuttaa henkilövahinkoja.

Käynnistysjousen ja käynnistysnarun vaihdossa on noudatettava varovaisuutta. Käytä suojalaseja ja suojakäsineitä.

Käynnistysnarun vaihto



- Irrota ruuvit, jotka kiinnittävät käynnistimen kampikammiota vasten, ja nosta käynnistin pois. **(106)**
- Vedä narua noin 30 cm ulos ja irrota se narupyörän ulkokehältä. Vapauta palautusjouset jännityksestä antamalla pyörän pyöriä hitaasti taaksepäin. **(107)**
- Irrota ruuvi narupyörän keskiöstä ja nosta vääntöpyörä (A), vääntöjouset (B) ja narupyörä (C) pois. Pujota ja kiinnitä uusi käynnistysnarun narupyörään. Kelaa käynnistysnarua noin 3 kierrosta narupyörälle. Asenna narupyörä palautusjousta (D)

KUNNOSSAPITO

vasten, niin että palautusjousen pää kiinnittyy narupyörään. Asenna sen jälkeen vääntiöjousi, vääntiöpyörä ja ruuvi narupyörän keskiöön. Pujota käynnistysnaru käynnistinkotelon ja käynnistyskahvan reiän läpi. Solmi lopuksi pitävä solmu käynnistysnarun päähän. (108)

Palautusjousen kiristys

- Nosta käynnistysnaru narupyörän loveen ja pyöritä narupyörää noin 2 kierrosta myötäpäivään.

Huom! Tarkasta, että narupyörä pääsee pyörimään vielä vähintään 1/2 kierrosta, kun käynnistysnaru on vedetty täysin ulos. (109)

Vedä naru ulos kahvan avulla. Nosta peukaloo ja päästä naru. Katso alla olevaa kuvaa. (110)

Palautus- ja vääntiöjousen vaihtaminen



Palautusjousi (A)

- Nosta narupyörä pois. Katso ohjeet otsikon Katkenneen tai kuluneen käynnistysnarun vaihto alta. Huomioi, että palautusjousi on jännittyneenä käynnistinkotelossa.
- Irrota kotelo ja palautusjousi käynnistimestä.
- Voitele palautusjousi ohuella öljyllä. Asenna kotelo ja palautusjousi käynnistimeen. Asenna narupyörä paikoilleen ja jännitä palautusjousi.

Vääntiöjousi (B)

- Irrota ruuvi narupyörän keskiöstä ja nosta vääntiöpyörä ja vääntiöjousi pois.
- Vaihda vääntiöjousi ja asenna vääntiöpyörä jousen päälle. (111)

Käynnistimen asennus

- Asenna käynnistin vetämällä käynnistysnaru ensin ulos ja sitten asettamalla käynnistin paikoilleen kampikammioita vasten. Päästä sen jälkeen käynnistysnaru hitaasti, niin että kytkentäkynnet tarttuvat narupyörään.
- Asenna ja kiristä käynnistimen kiinnitysruuvit.

Ilmansuodatin



Puhdistamalla ilmansuodatin säännöllisesti pölystä ja liasta vältetään seuraavat ongelmat:

- Kaasutinhäiriöt
- Käynnistysongelmat
- Tehon heikkeneminen
- Moottorin osien turha kuluminen.

- Epätavallisen korkea polttoaineenkulutus.
- Ilmansuodatin irrotetaan nostamalla ensin sylinterikotelo pois. Takaisin asennettaessa varmista, että ilmansuodatin tulee tiiviisti suodattimen pidintä vasten. Ravistele tai harjaa suodatin puhtaaksi. (112)

Perinpohjaisempi puhdistus tehdään pesemällä ilmansuodatin saippuavedessä.

Pitkään käytössä ollut ilmansuodatinta ei saa koskaan täysin puhtaaksi. Siksi ilmansuodatin on vaihdettava säännöllisin väliajoin. **Vaurioitunut ilmansuodatin on aina vaihdettava.**

HUSQVARNA-moottorisaha voidaan varustaa erityyppisillä ilmansuodattimilla työympäristön, säätilan, vuodenaajan yms. mukaan. Kysy neuvoa jälleenmyyjältäsi.

Sytytystulppa



Sytytystulpan kuntoa heikentävät:

- Väärin säädetty kaasutin.
- Polttoaineen öljymäärä virheellinen (liian paljon tai väärää öljyä).
- Likainen ilmansuodatin.

Nämä tekijät aiheuttavat sytytystulpan kärkien karstoittumisen, mistä voi seurata käyntihäiriöitä ja käynnistysongelmia.

Jos koneen teho on heikko, jos sitä on vaikea käynnistää, tai jos joutokäynti on levotonta: tarkasta aina ennen muita toimenpiteitä sytytystulppa. Jos sytytystulppa on karstoittunut, puhdista se ja tarkasta samalla, että kärkiväli on 0,5 mm. Sytytystulppa on vaihdettava suunnilleen kuukauden käytön jälkeen, tarvittaessa aikaisemmin. (113)

Huom! Käytä aina suositeltua sytytystulppaa! Väärä sytytystulppa voi tuhota männän/sylinterin. Varmista, että sytytystulppa on varustettu nk. radiohäiriöiden poistolla.

Neulalaakerin voitelu



Kytkinrummun käyttöäksellisä neulalaakeri. Tämä neulalaakeri on voideltava säännöllisesti.

Voitelun yhteydessä kytkinkotelo irrotetaan avaamalla kaksi terämutteria. Sijoita saha kyljelleen kytkinrumpu ylöspäin.

Voitelu tapahtuu tiputtamalla moottoriöljyä kytkinrummun keskiön sisään samalla kun kytkinrumpua pyöritetään. (114)

Jäähdytysjärjestelmä



Käyntilämpötilan pitämiseksi mahdollisimman alhaisena kone on varustettu jäähdytysjärjestelmällä.

Jäähdytysjärjestelmän osat ovat:

- 1 Käynnistimen ilmanottoaukko.
- 2 Ilmanohjauskisko.
- 3 Vauhtipyörän tuuletinsiivet.
- 4 Sylinterin jäähdytysrivat.
- 5 Sylinterikotelo (johtaa jäähdytysilman sylinteriin).
(115)

Puhdista jäähdytysjärjestelmä harjalla kerran viikossa, vaikeammissa käyttöolosuhteissa useammin. Likainen tai tukkeentunut jäähdytysjärjestelmä johtaa koneen ylikuumentumiseen, josta on seurauksena sylinterin ja männän vaurioituminen.

Keskipakoispuhdistus ”Air Injection”

Keskipakoispuhdistus tarkoittaa seuraavaa: Kaikki ilma kaasuttimeen tulee (otetaan) käynnistimen kautta. Ilma puhdistetaan liasta ja pölystä jäähdytystuulettimella.
(116)

TÄRKEÄÄ! Keskipakoispuhdistuksen tehon säilyttämiseksi on huolehdittava säännöllisestä huollosta. Puhdista käynnistimen ilmanottoaukot, vauhtipyörän tuuletinsiivet, vauhtipyörän ympäristö, imuputki ja kaasutintila.

Talvikäyttö

Kylmissä ja lumisissa olosuhteissa koneessa voi ilmetä käyntihäiriöitä, joiden syynä on:

- Liian matala moottorilämpötila.
- Ilmansuodattimen ja kaasuttimen jäätyminen.

Tällöin on toimittava seuraavasti:

- Pienennä hieman käynnistimen ilmanottoaukkoja moottorin työlämpötilan nostamiseksi.

Lämpötila -5°C tai kylmempi:



Kun konetta käytetään pakkasella tai pulverilumessa, voidaan käynnistinkotelo suojata erityisellä suojakannella. Tämä vähentää jäädytysilmaa ja estää moottoria imeämästä suuria määriä lunta. (117)

HUOM! Jos koneeseen on asennettu erityinen talvivarustus tai sen käyntilämpötila on nostettu, täytyy varustus poistaa ja säädöt palauttaa entiselleen, ennen kuin konetta aletaan käyttää normaaleissa lämpötiloissa. Muussa tapauksessa moottori voi ylikuumentaa, mistä seuraa vakavia moottorivaurioita.

TÄRKEÄÄ! Kaikki muu kuin tässä kirjassa mainittu kunnossapito on annettava huoltoliikkeen (jälleenmyyjän) suoritettavaksi.

KUNNOSSAPITO

Huoltokaavio

Seuraavassa on esitetty luettelo koneelle suoritettavista huoltotoimista. Useimmat kohdista on kuvattu kappaleessa Huolto.

Päivittäiset toimenpiteet	Viikoittaiset toimenpiteet	Kuukausittaiset toimenpiteet
Puhdista kone ulkopuolelta.	Tarkista jäähdytysjärjestelmä viikoittain.	Tarkasta ketjujarrun jarruhinnan kuluminen. Vaihda, kun kuluneimman kohdan paksuus on alle 0,6 mm.
Tarkasta, että kaasuliipasimen osat (liipasin ja varmistin) ovat turvallisessa käyttökunnossa.	Tarkasta käynnistin, käynnistysnaru ja palautusjousi.	Tarkasta kytkinneskiön, kytkinrummun ja kytkinjousen kuluminen.
Puhdista ketjujarru ja tarkasta, että se toimii turvallisesti. Tarkasta, että ketjusieppo on ehjä, vaihda tarvittaessa.	Tarkasta, etteivät tärinävaimentimet ole vioittuneet.	Puhdista sytytystulppa. Tarkasta, että kärkiväli on 0,5 mm.
Terälevy on käännettävä päivittäin, jotta se kuluu tasaisesti. Tarkasta, että terälevyn voitelureikä ei ole tukossa. Puhdista ketjun ohjausura.	Voitele kytkinrummun laakeri.	Puhdista kaasuttimen ulkopuoli.
Tarkasta, että terälevy ja ketju saavat riittävästi öljyä.	Viilaa mahdollinen kierre pois terälevyn sivuilta.	Tarkasta polttoainesuodatin ja polttoaineletku. Vaihda tarvittaessa.
Tarkasta, ettei teräketjun niiteissä tai lenkeissä ole näkyviä halkeamia, ettei teräketju ole jäykkä tai etteivät niitit ja lenkit ole epänormaalisti kuluneet. Vaihda tarvittaessa.	Puhdista tai vaihda äänenvaimentimen kipinänsammutusverkko.	Tyhjennä polttoainesäiliö ja puhdista se sisäpuolelta.
Teroita ketju ja tarkasta sen kireys ja kunto. Tarkasta, ettei ketjupyörä ole epätavallisen kulunut, vaihda tarvittaessa.	Puhdista kaasuttimen tila.	Tyhjennä öljysäiliö ja puhdista se sisäpuolelta.
Puhdista käynnistimen ilmanottoaukot.	Puhdista ilmansuodatin. Vaihda tarvittaessa.	Tarkasta kaikki kaapelit ja liitännät.
Tarkasta, että ruuvit ja mutterit ovat kireällä.		
Tarkasta, että pysäytin toimii.		
Tarkasta, ettei moottorissa, säiliössä tai polttoaineputkissa ole vuotoja.		
Tarkasta, että terälaite ei pyöri joutokäynnillä.		

TEKNISET TIEDOT

Tekniset tiedot

	435 II	435e II	440 II	440e II
Moottori				
Sylinteritilavuus, cm ³	40,9	40,9	40,9	40,9
Sylinterihalkaisija, mm	41	41	41	41
Iskunpituus, mm	31	31	31	31
Joutokäyntinopeus, r/min	2900	2900	2900	2900
Teho, kW/ r/min	1,6/9000	1,6/9000	1,8/9000	1,8/9000
Sytytysjärjestelmä				
Sytytystulppa	NGK BPMR 7A/ Champion RCJ 7Y	NGK BPMR 7A/ Champion RCJ 7Y	NGK BPMR 7A/ Champion RCJ 7Y	NGK BPMR 7A/ Champion RCJ 7Y
Kärkiväli, mm	0,5	0,5	0,5	0,5
Polttoaine-/voitelujärjestelmä				
Polttoainesäiliön tilavuus, litraa	0,37	0,37	0,37	0,37
Öljypumpun tuotto/9 000 r/min, ml/min	13	13	13	13
Öljysäiliön tilavuus, litraa	0,25	0,25	0,25	0,25
Öljypumpun tyyppi	Automaattinen	Automaattinen	Automaattinen	Automaattinen
Paino				
Moottorisaha ilman terälaitetta ja säiliöt tyhjinä, kg	4,2	4,4	4,2	4,4
Melupäästöt (ks. huom. 1)				
Äänentehotaso, mitattu dB(A)	112	112	113	113
Äänentehotaso, taattu L _{WA} dB(A)	114	114	114	114
Äänitasot (ks. huom. 2)				
Ekvivalentti äänenpainetaso käyttäjän korvaan, dB (A)	102	102	102	102
Vastaavat tärinätasot, a_{hveq} (ks. huom. 3)				
Etukahva, m/s ²	2,5	2,5	2,5	2,5
Takakahva, m/s ²	3,2	3,2	3,2	3,2
Ketju/terälevy				
Vakio terälevypituus, tuumaa/cm	13"/33	13"/33	13/33	13"/33
Suosittelavat terälevypituudet, tuumaa/cm	13-18/33-45	13-18/33-45	13-18/33-45	13-18/33-45
Tehokas leikkuupituus, tuumaa/cm	12-17/31-43	12-17/31-43	12-17/31-43	12-17/31-43
Jako, tuumaa/mm	0,325/8,25	0,325/8,25	0,325/8,25	0,325/8,25
Vetolenkin vahvuus, tuumaa/mm	0,050/1,3	0,050/1,3	0,050/1,3	0,050/1,3
Ketjupyörän tyyppi/hampaiden lkm	Spur/7	Spur/7	Spur/7	Spur/7
Ketjun nopeus (m/s), kun moottorin pyörimisnopeus on 133 % enimmäisarvosta.	23,1	23,1	23,1	23,1

Huom. 1: Melupäästö ympäristöön äänentehona (L_{WA}) EY-direktiivin 2000/14/EY mukaisesti mitattuna.

Huom. 2: Standardin ISO 22868 mukainen ekvivalentti äänenpainetaso lasketaan eri äänenpainetasojen aikapainotteisena energiasummana eri käyttötiloissa. Tyypillinen ekvivalentin äänenpainetaso tilastollinen hajonta on 1 dB:n (A) vakiopoikkeama.

Huom. 3: Standardin ISO 22867 mukainen ekvivalentti tärinätaaso lasketaan tärinätasojen aikapainotteisena energiasummana eri käyttötiloissa. Ilmoitetuilla tiedoilla ekvivalentista tärinätasosta tyypillinen tilastollinen hajonta (vakiopoikkeama) on 1 m/s².


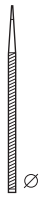
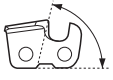
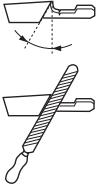

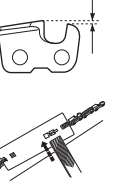
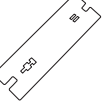
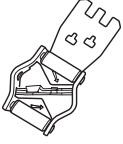
TEKNISET TIEDOT

Terälevy- ja ketjuyhdistelmät

Seuraavat terälaitteet on hyväksytty Husqvarna-malleille 435 II, 435e II, 440 II ja 440e II.

Terälevy				Teräketju	
Pituus, tuumaa	Jako, tuumaa	Ohjausuran leveys, mm	Kärkipyörän hampaiden maks. lkm	Tyyppi	Pituus, vetolenkit (kpl)
13	0,325	1,3	10T	Husqvarna H30	56
15					64
16					66
18					72

Teräketjun teroittaminen ja viilauhjaimet

							
H30	3/16 / 4,8	85°	30°	10°	0,025 / 0,65	5056981-00	5056981-08

EY-vaatimustenmukaisuusvakuutus

(Koskee ainoastaan Eurooppaa)

Husqvarna AB, SE-561 82 Huskvarna, Ruotsi, puh: +46-36-146500, vakuuttaa täten, että metsäkäyttöön tarkoitetut moottorisahat **Husqvarna 435 II, 435e II, 440 II ja 440e II** alkaen vuoden 2013 sarjanumeroista (vuosi on ilmoitettu arvokilvessä ennen sarjanumeroa) on valmistettu noudattaen seuraavaa NEUVOSTON DIREKTIIVIÄ:

- 17. toukokuuta 2006 "koskien koneita" **2006/42/EY**.
- 15. joulukuuta 2004 "sähkömagneettista yhteensopivuutta koskeva" direktiivi **2004/108/EEC**.
- 8. toukokuuta 2000 "koskien melupäästöä ympäristöön" **2000/14/EY**.

Katso melupäästöjä koskevat tiedot luvusta Tekniset tiedot. Seuraavia standardeja on sovellettu:


EN ISO 12100:2010, ISO 14982:2009, EN ISO 11681-1:2011

Ilmoitettu elin: **0404, SMP Svensk Maskinprovning AB**, Box 7035, SE-750 07 Uppsala, Ruotsi, on suorittanut EY-tyyppitarkastuksen konedirektiivin (2006/42/EY) artiklan 12, kohdan 3b mukaisesti. Liitteen IX mukaisen EY-tyyppitarkastuksen todistusten numerot ovat: **0404/09/2012** - 435 II, 435e II, 440 II, 440e II.

Lisäksi SMP, Svensk Maskinprovning AB, Box 7035, SE-750 07 Uppsala, Ruotsi, on todistanut vaatimustenmukaisuuden 8. toukokuuta 2000 annetun neuvoston direktiivin liitteen V "koskien melupäästöä ympäristöön" 2000/14/EY kanssa. Sertifiikaattien numerot ovat: **01/161/075** - 435 II, 435e II, **01/161/074** - 440 II, 440e II.

Toimitettu moottorisaha vastaa EY-tyyppitarkastettua sahaa.

Huskvarna 8. huhtikuuta 2013



Bengt Frögelius, Kehityspäällikkö, Moottorisahat (Husqvarna AB:n valtuutettu ja teknisestä dokumentaatiosta vastaava edustaja.)

EXPLICATION DES SYMBOLES

Symboles sur la machine:

AVERTISSEMENT! Cette tronçonneuse peut être dangereuse! Une utilisation erronée ou négligente peut occasionner des blessures graves, voire mortelles pour l'utilisateur ou une tierce personne.

Lire attentivement et bien assimiler le manuel d'utilisation avant d'utiliser la machine.

Toujours utiliser:

- Casque de protection homologué
- Protecteurs d'oreilles homologués
- Lunettes protectrices ou visière

Ce produit est conforme aux directives CE en vigueur.

Émissions sonores dans l'environnement selon la directive de la Communauté européenne. Les émissions de la machine sont indiquées au chapitre Caractéristiques techniques et sur les autocollants.

Allumage; starter: Mettre la commande de starter sur la position de starter. Le contacteur d'arrêt doit alors se placer automatiquement en position de démarrage.

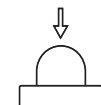
Remplissage d'essence.

Remplissage d'huile de chaîne.

Pompe à carburant

Réglage de la pompe à huile.

Frein de chaîne, activé (droit) Frein de chaîne, non activé (gauche)



Les autres symboles/autocollants présents sur la machine concernent des exigences de certification spécifiques à certains marchés.

Symboles dans le manuel:

Tout contrôle et/ou entretien doit être effectué avec le moteur à l'arrêt.

REMARQUE! Le bouton marche/arrêt retourne automatiquement en mode de conduite. Afin d'éviter tout démarrage accidentel, toujours retirer le capuchon de la bougie lors du montage, contrôle et/ou entretien.

Toujours porter des gants de protection homologués.

Un nettoyage régulier est indispensable.

Examen visuel.

Porter des lunettes protectrices ou une visière.

Remplissage d'essence.

Remplissage d'huile et réglage du débit d'huile.

Le frein de chaîne doit être activé quand la tronçonneuse est démarrée.

AVERTISSEMENT! Il risque de se produire un rebond si le nez du guide entre en contact avec un objet et entraîne une réaction qui projette le guide vers le haut et vers l'utilisateur. Ceci risque de causer de graves blessures personnelles.



Sommaire

EXPLICATION DES SYMBOLES

Symboles sur la machine:	133
Symboles dans le manuel:	133

SOMMAIRE

Sommaire	134
----------------	-----

INTRODUCTION

Cher client,	135
--------------------	-----

QUELS SONT LES COMPOSANTS?

Quels sont les composants de la tronçonneuse? .	135
---	-----

INSTRUCTIONS GÉNÉRALES DE SÉCURITÉ

Mesures à prendre avant de mettre en usage une tronçonneuse neuve	136
Important!	137
Utilisez toujours votre bon sens	137
Équipement de protection personnelle	137
Équipement de sécurité de la machine	138
Équipement de coupe	140

MONTAGE

Montage du guide-chaîne et de la chaîne	144
---	-----

MANIPULATION DU CARBURANT

Carburant	145
Remplissage de carburant	146
Sécurité carburant	146

DÉMARRAGE ET ARRÊT

Démarrage et arrêt	147
--------------------------	-----

TECHNIQUES DE TRAVAIL

Avant chaque utilisation:	149
Méthodes de travail	149
Mesures anti-rebond	153

ENTRETIEN

Généralités	154
Réglage du carburateur	154
Contrôle, maintenance et entretien des équipements de sécurité de la tronçonneuse	154
Silencieux	155
Lanceur	155
Filtre à air	156
Bougie	156
Graissage du roulement à aiguilles	156
Système de refroidissement	157
Épuration centrifuge "Air Injection"	157
Utilisation hivernale	157
Schéma d'entretien	158

CARACTÉRISTIQUES TECHNIQUES

Caractéristiques techniques	159
Combinaisons guide-chaîne et chaîne	160
Affûtage de la chaîne et gabarits d'affûtage	160
Déclaration CE de conformité	160

INTRODUCTION

Cher client,

Félicitations pour ce choix d'un produit Husqvarna. Husqvarna a vu le jour en 1689 lorsque le roi Karl XI décida de construire un arsenal pour la fabrication des mousquets au bord de la rivière Huskvarna. Le choix de l'emplacement était logique puisque la rivière Huskvarna servait à produire de l'énergie hydraulique et constituait donc une sorte de centrale hydraulique. En plus de 300 ans d'existence, l'usine Husqvarna a fabriqué de nombreux produits, depuis les cuisinières à bois jusqu'aux équipements de cuisine modernes, sans oublier les machines à coudre, les bicyclettes, les motos, etc. La première tondeuse à moteur a été lancée en 1956, suivie en 1959 de la première tronçonneuse. C'est dans ce secteur que Husqvarna est actif aujourd'hui.

Husqvarna est aujourd'hui un des plus grands fabricants du monde de produits destinés à l'entretien des forêts et des jardins. La qualité et les performances sont nos priorités. Notre concept d'affaires est de développer, fabriquer et commercialiser des produits à moteur pour l'entretien des forêts et des jardins et pour les entreprises de construction et d'aménagement des sols. L'objectif d'Husqvarna est aussi d'être à la pointe du progrès en matière d'ergonomie, de facilité d'utilisation, de sécurité et de protection de l'environnement; un grand nombre d'innovations ont été développées pour améliorer les produits dans ces domaines.

Nous sommes persuadés que vous apprécierez la qualité et les performances de nos produits pendant de longues années. L'achat d'un de nos produits vous garantit une assistance professionnelle au niveau du service et des réparations en cas de besoin. Si la machine n'a pas été achetée chez un de nos revendeurs autorisés, demandez à un revendeur l'adresse de l'atelier d'entretien le plus proche.

Nous espérons que cette machine vous donnera toute satisfaction et qu'elle vous accompagnera pendant de longues années. N'oubliez pas que ce manuel d'utilisation est important. En suivant les instructions qu'il contient (utilisation, révision, entretien, etc.), il est possible d'allonger considérablement la durée de vie de la machine et d'augmenter sa valeur sur le marché de l'occasion. En cas de vente de la machine, ne pas oublier de remettre le manuel d'utilisation au nouveau propriétaire.

Nous vous remercions d'utiliser un produit Husqvarna !

Husqvarna AB travaille continuellement au développement de ses produits et se réserve le droit d'en modifier, entre autres, la conception et l'aspect sans préavis.

Quels sont les composants de la tronçonneuse? (1)

- 1 Capot de cylindre
- 2 Pompe à carburant
- 3 Rappel des instructions de démarrage
- 4 Bouton combiné de marche et d'arrêt
- 5 Poignée arrière
- 6 Autocollant d'information et d'avertissement
- 7 Réservoir d'essence
- 8 Vis de réglage du carburateur
- 9 Poignée de lanceur
- 10 Lanceur
- 11 Réservoir d'huile pour chaîne
- 12 Plaque de numéro de série et de produit
- 13 Marque d'abattage
- 14 Poignée avant
- 15 Arceau protecteur
- 16 Silencieux
- 17 Chaîne
- 18 Pignon avant
- 19 Guide-chaîne
- 20 Patin d'ébranchage
- 21 Capteur de chaîne
- 22 Vis de tendeur de chaîne (435 II, 440 II)
- 23 Carter d'embrayage (435 II, 440 II)
- 24 Protection de la main droite
- 25 Commande de l'accélération
- 26 Blocage de l'accélération
- 27 Carter d'embrayage (435e II, 440e II)
- 28 Manette de tension de chaîne
- 29 Bouton
- 30 Manuel d'utilisation
- 31 Clé universelle
- 32 Fourreau protecteur du guide-chaîne

INSTRUCTIONS GÉNÉRALES DE SÉCURITÉ

Mesures à prendre avant de mettre en usage une tronçonneuse neuve

- Lisez attentivement ce manuel d'utilisation.
- (1) - (117) fait référence aux figures des p. 2-6.
- Vérifier le montage et le réglage de l'outil de coupe. Voir les instructions au chapitre Montage.
- Remplissez de carburant et démarrez la tronçonneuse. Voir les instructions aux chapitres Manipulation du carburant et Démarrage et arrêt.
- Ne pas utiliser la tronçonneuse avant que la chaîne ait reçu une quantité suffisante d'huile de chaîne. Voir les instructions au chapitre Équipement de coupe.
- Une exposition prolongée au bruit risque de causer des lésions auditives permanentes. Toujours utiliser des protecteurs d'oreille agréés.



AVERTISSEMENT! Ne jamais laisser des enfants utiliser la machine ou se tenir à proximité. La machine est équipée d'un interrupteur d'arrêt à détente et peut être démarrée par une activation à faible vitesse et de faible puissance de la poignée de démarrage ; dans certaines circonstances, de jeunes enfants peuvent produire la force nécessaire au démarrage de la machine. Ceci peut entraîner un risque de blessures personnelles. Retirer donc le chapeau de bougie lorsque la machine n'est pas sous surveillance.



AVERTISSEMENT! Ne jamais modifier sous aucun prétexte la machine sans l'autorisation du fabricant. N'utiliser que des accessoires et des pièces d'origine. Des modifications non-autorisées et l'emploi d'accessoires non-homologués peuvent provoquer des accidents graves et même mortels, à l'utilisateur ou d'autres personnes.



AVERTISSEMENT! Utilisée de manière erronée ou négligente, la tronçonneuse peut être un outil dangereux pouvant causer des blessures personnelles graves, voire mortelles. Il importe donc de lire attentivement et de bien assimiler le contenu de ce manuel d'utilisation.



AVERTISSEMENT! L'intérieur du silencieux contient des produits chimiques pouvant être cancérigènes. Éviter tout contact avec ces éléments si le silencieux est endommagé.



AVERTISSEMENT! Une inhalation prolongée des gaz d'échappement du moteur, du brouillard d'huile de chaîne et de la poussière de copeaux peut constituer un danger pour la santé.



AVERTISSEMENT! Cette machine génère un champ électromagnétique en fonctionnement. Ce champ peut dans certaines circonstances perturber le fonctionnement d'implants médicaux actifs ou passifs. Pour réduire le risque de blessures graves ou mortelles, les personnes portant des implants médicaux doivent consulter leur médecin et le fabricant de leur implant avant d'utiliser cette machine.

INSTRUCTIONS GÉNÉRALES DE SÉCURITÉ

Important!

IMPORTANT!

Cette tronçonneuse pour l'administration des forêts est conçue pour des travaux forestiers tels que l'abattage, l'ébranchage et la coupe.

La législation nationale peut restreindre l'utilisation de la machine.

Utilisez seulement les combinaisons guide-chaîne/chaîne recommandées au chapitre Caractéristiques techniques.

N'utilisez jamais la machine si vous êtes fatigué, avez bu de l'alcool ou pris des médicaments susceptibles d'affecter votre vue, votre jugement ou la maîtrise de votre corps.

Utiliser les équipements de protection personnelle. Voir au chapitre "Équipement de protection personnelle".

Ne modifiez jamais cette machine de façon à ce qu'elle ne soit plus conforme au modèle d'origine et n'utilisez jamais une machine qui semble avoir été modifiée.

Ne jamais utiliser une machine qui n'est pas en parfait état de marche. Appliquez les instructions de maintenance et d'entretien ainsi que les contrôles de sécurité indiqués dans ce manuel d'utilisation. Certaines mesures de maintenance et d'entretien doivent être confiées à un spécialiste dûment formé et qualifié. Voir les instructions à la section Maintenance.

N'utiliser que les accessoires recommandés dans ce manuel. Voir les chapitres Équipement de coupe et Caractéristiques techniques.

REMARQUE! Utilisez toujours des lunettes de protection ou une visière faciale pour vous protéger d'une éventuelle projection d'objet. Une tronçonneuse peut projeter avec violence des objets, de la sciure et de petits morceaux de bois par exemple. Il peut en résulter des blessures graves, surtout au niveau des yeux.



AVERTISSEMENT! Faire tourner un moteur dans un local fermé ou mal aéré peut causer la mort par asphyxie ou empoisonnement au monoxyde de carbone.



AVERTISSEMENT! Un équipement de coupe inapproprié ou une mauvaise combinaison guide-chaîne/chaîne augmente le risque de rebond ! N'utilisez que les combinaisons chaîne et guide-chaîne recommandées et respectez les instructions d'affûtage. Voir les instructions au chapitre Caractéristiques techniques.

Utilisez toujours votre bon sens (2)

Il est impossible de prévoir toutes les situations que vous pouvez rencontrer lorsque vous utilisez une

tronçonneuse. Soyez toujours prudent et utilisez votre bon sens. Évitez les situations que vous n'êtes pas sûr de maîtriser. Si, après avoir lu ces instructions, vous n'êtes toujours pas sûr de la procédure à suivre, demandez conseil à un expert avant de poursuivre. N'hésitez pas à prendre contact avec votre revendeur ou avec nous si vous avez des questions sur l'utilisation de la tronçonneuse. Nous sommes à votre disposition et vous conseillons volontiers pour vous aider à mieux utiliser votre tronçonneuse en toute sécurité. N'hésitez pas à suivre une formation sur l'utilisation des tronçonneuses. Votre revendeur, votre établissement de formation forestière et votre bibliothèque peuvent vous renseigner sur le matériel de formation et les cours disponibles. Nous travaillons en permanence à l'amélioration de la conception et de la technique, des améliorations qui augmentent votre sécurité et votre efficacité. Rendez régulièrement visite à votre revendeur pour vous tenir au courant des nouveautés qui peuvent vous être utiles.

Équipement de protection personnelle



AVERTISSEMENT! La plupart des accidents surviennent quand la chaîne de la tronçonneuse touche l'utilisateur. Un équipement de protection personnelle homologué doit impérativement être utilisé lors de tout travail avec la machine. L'équipement de protection personnelle n'élimine pas les risques mais réduit la gravité des blessures en cas d'accident. Demander conseil au concessionnaire afin de choisir un équipement adéquat.

- Casque de protection homologué
- Protecteur d'oreilles
- Lunettes protectrices ou visière
- Gants protecteurs anti-chaîne
- Pantalon avec protection anti-chaîne
- Bottes avec protection anti-chaîne, embout acier et semelle antidérapante
- Une trousse de premiers secours doit toujours être disponible.
- Extincteur et pelle

Porter des vêtements près du corps et ne risquant pas de gêner les mouvements.

IMPORTANT! Des étincelles peuvent être produites par le silencieux, le guide-chaîne ou la chaîne par exemple. Veillez à toujours disposer des outils nécessaires à l'extinction d'un feu. Vous pouvez ainsi éviter des feux de forêt.

INSTRUCTIONS GÉNÉRALES DE SÉCURITÉ

Équipement de sécurité de la machine

Cette section traite des équipements de sécurité de la machine et de leur fonction. Pour le contrôle et l'entretien, voir les instructions au chapitre Contrôle, maintenance et entretien des équipements de sécurité de la tronçonneuse. Voir le chapitre Quels sont les composants? pour savoir où se trouvent équipements sur la machine.

La durée de vie de la machine risque d'être écourtée et le risque d'accidents accru si la maintenance de la machine n'est pas effectuée correctement et si les mesures d'entretien et/ou de réparation ne sont pas effectuées de manière professionnelle. Pour obtenir de plus amples informations, contacter l'atelier de réparation le plus proche.



AVERTISSEMENT! N'utilisez jamais une machine dont les équipements de sécurité sont défectueux. Les équipements de sécurité doivent être contrôlés et entretenus. Voir les instructions au chapitre Contrôle, maintenance et entretien des équipements de sécurité de la tronçonneuse. Si les contrôles ne donnent pas un résultat positif, faites réparer votre machine par un atelier d'entretien.

Frein de chaîne avec arceau protecteur

Votre tronçonneuse est équipée d'un frein de chaîne conçu pour arrêter la chaîne en cas de rebond. Le frein de chaîne réduit le risque d'accidents, mais seul l'utilisateur peut prévenir les accidents. (3)

Observer la plus grande prudence en utilisant la tronçonneuse et s'assurer que la zone de rebond du guide-chaîne ne touche rien. (4)

- Le frein de chaîne (A) est activé soit manuellement (de la main gauche), soit avec la fonction d'inertie. (5)
- Pousser l'arceau (B) vers l'avant pour activer le frein de chaîne. (5)
- Ce mouvement actionne un mécanisme à ressort qui tend le ruban du frein (C) autour du système d'entraînement de la chaîne (D) (le tambour d'embrayage). (6)
- L'arceau protecteur ne déclenche pas seulement le frein de chaîne. Il réduit aussi le risque que la main gauche ne se blesse à la chaîne en cas de perte de la prise sur la poignée avant.
- Le frein de chaîne doit être activé quand la tronçonneuse est démarrée pour empêcher que la chaîne ne se mette à tourner. (55)
- Utilisez le frein de chaîne comme "frein de stationnement" au démarrage et lors de courts déplacements, pour éviter une mise en marche involontaire de la tronçonneuse et les accidents. Ne pas laisser la tronçonneuse en marche avec le frein

de chaîne activé pendant un long moment. La tronçonneuse peut devenir très chaude.

- Pour découpler le frein de chaîne, il convient de pousser la protection anti-rebond marquée "PULL BACK TO RESET" en arrière, contre la poignée avant.
- Un rebond peut être rapide et très violent. Toutefois la plupart des rebonds sont courts et n'activent pas nécessairement le frein de chaîne. Dans ce cas, tenir fermement la tronçonneuse et ne pas la lâcher.
- Le mode d'activation du frein de chaîne (manuel ou automatique par inertie) dépend de l'ampleur du rebond et de la position de la tronçonneuse par rapport à l'objet rencontré par la zone de danger du guide.

Si le rebond est violent et si la zone de danger du guide se trouve loin de l'utilisateur, le frein de chaîne est activé par le contrepoids (inertie) du frein de chaîne dans le sens du rebond. (7)

En cas de rebond moins violent ou si, en raison de la situation de travail, la zone de danger du guide est proche de l'utilisateur, le frein de chaîne est activé manuellement par la main gauche.

- En position d'abattage, la main gauche se trouve dans une position qui rend l'activation manuelle du frein de chaîne impossible. Dans cette position, quand la main gauche ne peut pas agir sur le mouvement de la protection anti-rebond, le frein de chaîne ne peut être activé que par inertie. (8)

Ma main active-t-elle toujours le frein de chaîne en cas de rebond?

Non. Il faut une certaine force pour pousser la protection anti-rebond vers l'avant. Si votre main ne fait qu'effleurer la protection anti-rebond ou glisse dessus, la force peut ne pas suffire pour déclencher le frein de chaîne. Vous devez aussi tenir fermement la poignée de la tronçonneuse quand vous travaillez. Ainsi, vous ne lâchez peut être jamais la poignée avant en cas de rebond et n'activez pas le frein de chaîne, ou n'activez pas le frein de chaîne avant que la tronçonneuse n'ait eu le temps de tourner sur une certaine distance. Dans un tel cas, il se peut que le frein de chaîne n'ait pas le temps d'arrêter la chaîne avant qu'elle ne vous heurte.

Certaines positions de travail empêchent aussi votre main d'atteindre la protection anti-rebond pour activer le frein de chaîne, quand la tronçonneuse est tenue en position d'abattage par exemple.

L'inertie du frein de chaîne est-elle toujours activée en cas de rebond?

Non. Le frein doit fonctionner. Il est facile de tester le frein, voir les instructions au chapitre Contrôle, maintenance et entretien des équipements de sécurité de la tronçonneuse. Nous vous recommandons de le faire avant chaque journée de travail. Le rebond doit aussi être suffisamment violent pour activer le frein de chaîne. Si le frein de chaîne était trop sensible, il serait continuellement activé, ce qui serait gênant.

INSTRUCTIONS GÉNÉRALES DE SÉCURITÉ

Le frein de chaîne me protège-t-il toujours des blessures en cas de rebond?

Non. Tout d'abord, votre frein doit fonctionner pour assurer la protection souhaitée. Ensuite, il doit être activé comme décrit ci-dessus pour arrêter la chaîne en cas de rebond. Pour finir, le frein de chaîne peut être activé mais si le guide-chaîne est trop près de vous, le frein peut ne pas avoir le temps de ralentir et arrêter la chaîne avant que la tronçonneuse ne vous heurte.

La seule façon d'éviter les rebonds et le danger qu'ils représentent est de faire attention et d'utiliser une méthode de travail correcte.

Blocage de l'accélération

Le blocage de l'accélération est conçu pour empêcher toute activation involontaire de la commande de l'accélération. Quand le cliquet (A) est enfoncé dans la poignée (= quand l'utilisateur tient la poignée), la commande de l'accélération (B) est libérée. Lorsque la poignée est relâchée, la commande de l'accélération et le blocage de l'accélération reviennent à leurs positions initiales. Cette position signifie que la commande d'accélération est alors automatiquement bloquée sur le ralenti. (9)

Capteur de chaîne

Le capteur de chaîne est construit pour rattraper une chaîne qui a sauté ou s'est brisée. Dans la plupart des cas, ces situations peuvent être évitées par une tension correcte de la chaîne (voir le chapitre Montage) et en entretenant correctement le guide et la chaîne (voir le chapitre Méthodes de travail). (10)

Protection de la main droite

La protection de la main droite protège la main si la chaîne saute ou se casse et empêche les branchettes et brindilles de gêner la prise sur la poignée arrière. (11)

Système anti-vibrations

La machine est équipée d'un système anti-vibrations conçu pour assurer une utilisation aussi confortable que possible.

Le système anti-vibrations réduit la transmission des vibrations de l'unité moteur/l'équipement de coupe à l'unité que constituent les poignées. Le corps de la tronçonneuse, y compris l'équipement de coupe, est suspendu à l'unité poignées par l'intermédiaire de blocs anti-vibrants.

Le sciage de bois durs (la plupart des feuillus) produit davantage de vibrations que celui des bois tendres (la plupart des conifères). Si la chaîne est mal affûtée ou défectueuse (type inadéquat ou affûtage défectueux), le taux de vibrations augmente.



AVERTISSEMENT! Une exposition excessive aux vibrations peut entraîner des troubles circulatoires ou nerveux chez les personnes sujettes à des troubles cardio-vasculaires. Consultez un médecin en cas de symptômes liés à une exposition excessive aux vibrations. De tels symptômes peuvent être: engourdissement, perte de sensibilité, chatouillements, picotements, douleur, faiblesse musculaire, décoloration ou modification épidermique. Ces symptômes affectent généralement les doigts, les mains ou les poignets. Ces symptômes peuvent être accentués par le froid.

Bouton d'arrêt

Le bouton d'arrêt est utilisé pour arrêter le moteur. (12)

Silencieux

Le silencieux est conçu pour réduire au maximum le niveau sonore et détourner les gaz d'échappement loin de l'utilisateur.



AVERTISSEMENT! Les gaz d'échappement du moteur sont très chauds et peuvent contenir des étincelles pouvant provoquer un incendie. Par conséquent, ne jamais démarrer la machine dans un local clos ou à proximité de matériaux inflammables!

Dans les régions chaudes et sèches, les risques d'incendie sont élevés. Ces régions disposent parfois d'une législation spécifique qui exige que le silencieux (entre autres) soit équipé d'une grille antifleme homologuée. (13)

Lors du montage de la grille, veillez à ce qu'elle soit placée dans la position adéquate. Utilisez la clé mixte pour placer ou détacher la grille, si besoin est.

REMARQUE! Un silencieux devient très chaud en cours d'utilisation et le reste après l'arrêt. Cela est également vrai pour le régime au ralenti. Soyez très attentif aux risques d'incendie, surtout quand vous manipulez des gaz et/ou des substances inflammables.



AVERTISSEMENT! N'utilisez jamais une tronçonneuse dont le silencieux est absent ou défectueux. Si le silencieux est défectueux, le niveau sonore et le risque d'incendie augmentent considérablement. Veillez à disposer des outils nécessaires à l'extinction d'un feu. N'utilisez jamais une tronçonneuse dont la grille antifleme est absent ou défectueux si une grille antifleme est obligatoire dans la zone où vous travaillez.

INSTRUCTIONS GÉNÉRALES DE SÉCURITÉ

Équipement de coupe

Cette section explique comment, grâce à l'utilisation du bon équipement de coupe et grâce à un entretien correct:

- Réduire le risque de rebond de la machine.
- Réduit le risque de saut ou de rupture de chaîne.
- Permet des performances de coupe optimales.
- Augmenter la durée de vie de l'équipement de coupe.
- Évite l'augmentation du niveau de vibration.

Règles élémentaires

- **N'utiliser que l'équipement de coupe recommandé!** Voir les instructions au chapitre Caractéristiques techniques.
- **Veiller à ce que les dents de la chaîne soient toujours bien affûtées! Suivre les instructions et utiliser le gabarit d'affûtage recommandé.** Une chaîne émoussée ou endommagée augmente le risque d'accidents.
- **Veillez à travailler avec une épaisseur de copeau correcte! Suivez les instructions et utilisez le gabarit d'épaisseur de copeau recommandé.** Une épaisseur de copeau trop importante augmente le risque de rebond.
- **Veiller à ce que la chaîne soit toujours bien tendue!** Une tension de chaîne insuffisante augmente le risque de rupture de chaîne ainsi que l'usure du guide, de la chaîne et du pignon.
- **Maintenir l'équipement de coupe bien lubrifié et bien entretenu!** Un équipement insuffisamment lubrifié augmente le risque de rupture de chaîne ainsi que l'usure du guide, de la chaîne et du pignon.

Équipement de coupe anti-rebond



AVERTISSEMENT! Un équipement de coupe inapproprié ou une mauvaise combinaison guide-chaîne/chaîne augmente le risque de rebond ! N'utilisez que les combinaisons chaîne et guide-chaîne recommandées et respectez les instructions d'affûtage. Voir les instructions au chapitre Caractéristiques techniques.

La seule manière d'éviter un rebond est de s'assurer que la zone de danger du nez du guide n'entre jamais en contact avec un objet.

L'utilisation d'un équipement de coupe avec fonction anti-rebond "intégrée" et un affûtage et un entretien corrects de la chaîne permettent de réduire les effets de rebond.

Guide-chaîne

Plus le rayon du nez est petit, plus la tendance au rebond est petite.

Chaîne

Une chaîne comporte un certain nombre de maillons, tant en modèle standard qu'en version anti-rebond.

IMPORTANT! Aucune chaîne n'élimine le risque de rebond.



AVERTISSEMENT! Chaque contact avec une chaîne en rotation peut entraîner des blessures graves.

Terminologie concernant le guide-chaîne et la chaîne

Afin de maintenir toutes les fonctions de sécurité sur l'équipement de coupe, vous devez remplacer les combinaisons chaîne/guide-chaîne usées ou abîmées par un guide-chaîne et une chaîne recommandés par Husqvarna. Voir le chapitre Caractéristiques techniques pour les combinaisons chaîne/guide-chaîne recommandées.

Guide-chaîne

- Longueur (pouces/cm)
- Nombre de dents par pignon (T).
- Pas de chaîne (=pitch) (pouces). Le pignon du nez et le pignon d'entraînement doivent correspondre à l'espace entre les maillons. (14)
- Nombre de maillons entraîneurs (pce). La longueur du guide, le pas de chaîne et le nombre de dents au pignon donnent un nombre déterminé de maillons entraîneurs.
- Jauge du guide-chaîne (mm/pouces). Celle-ci doit correspondre à la jauge des maillons entraîneurs de la chaîne.
- Trou de graissage de chaîne et trou du tendeur de chaîne. Le guide-chaîne doit correspondre au modèle de tronçonneuse. (15)

Chaîne

- Pas de chaîne (=pitch) (pouces) (14)
- Jauge du maillon entraîneur (mm/pouces) (16)
- Nombre de maillons entraîneurs (pce) (17)

Affûtage et réglage de l'épaisseur du copeau de la chaîne

Généralités concernant l'affûtage des dents

- N'utilisez jamais une tronçonneuse dont les dents sont émoussées. Les dents de la chaîne sont considérées comme émoussées quand il faut forcer sur l'équipement de coupe pour qu'il traverse le bois et quand les copeaux sont très petits. Une chaîne très émoussée ne produit pas de copeaux du tout, seulement de la poudre de bois.
- Une chaîne bien affûtée avance tout seule dans le bois, laissant de gros et longs copeaux.
- La partie coupante de la chaîne consiste en un maillon coupant qui comporte une dent (A) et un limiteur d'épaisseur de copeau (B). La distance

INSTRUCTIONS GÉNÉRALES DE SÉCURITÉ

verticale entre ces éléments détermine la profondeur de coupe. (18)

Quatre dimensions doivent être prises en compte lors de l'affûtage d'une dent.

- 1 Angle d'affûtage (19)
- 2 Angle d'impact (20)
- 3 Position de la lime (21)
- 4 Diamètre de la lime ronde

Il est très difficile d'affûter correctement une chaîne de tronçonneuse sans outils spéciaux. Nous recommandons donc d'utiliser notre gabarit d'affûtage qui assure un affûtage permettant une réduction du risque de rebond et des performances de coupe optimales. (22)

Vous trouverez les informations nécessaires pour l'affûtage de la chaîne de votre tronçonneuse au chapitre Caractéristiques techniques.



AVERTISSEMENT! La tendance au rebond augmente considérablement si les instructions d'affûtage ne sont pas respectées.

Affûtage de la dent



Pour affûter une dent, une lime ronde et un gabarit d'affûtage sont nécessaires. Vous trouverez des informations sur le diamètre de lime ronde et le gabarit d'affûtage recommandés pour la chaîne de votre tronçonneuse au chapitre Caractéristiques techniques.

- S'assurer que la chaîne est tendue. Une tension insuffisante rend la chaîne instable latéralement, gênant ainsi l'affûtage de la chaîne.
- Toujours limer de l'intérieur de la dent vers l'extérieur. Soulager la lime sur le mouvement de retour. Commencer par limer toutes les dents du même côté, retourner la tronçonneuse et limer de l'autre côté.
- Limer de manière à amener toutes les dents à la même hauteur. Si la hauteur de dent est inférieure à 4 mm (5/32"), la chaîne est usée et doit être remplacée. (23)

Généralités sur le réglage de l'épaisseur du copeau

- Quand la dent est affûtée, l'épaisseur du copeau (=profondeur de coupe) diminue. Pour conserver une capacité de coupe maximale, le limiteur d'épaisseur du copeau doit être abaissé au niveau recommandé. Voir l'épaisseur de copeau recommandée pour la chaîne de votre tronçonneuse au chapitre Caractéristiques techniques. (24)



AVERTISSEMENT! Une épaisseur de copeau excessive augmente la tendance au rebond de la chaîne!

Réglage de l'épaisseur du copeau



- Le réglage de l'épaisseur du copeau doit être effectué sur des dents nouvellement affûtées. Nous recommandons de régler l'épaisseur du copeau tous les trois affûtages de chaîne. REMARQUE! Cette recommandation suppose que les dents n'ont pas été anormalement réduites lors de l'affûtage.
- Pour le réglage de l'épaisseur du copeau, une lime plate et un gabarit d'épaisseur sont nécessaires. Nous vous recommandons d'utiliser notre gabarit d'affûtage pour l'épaisseur afin d'obtenir l'épaisseur souhaitée et le bon angle pour le limiteur d'épaisseur du copeau.
- Mettez le gabarit d'affûtage sur la chaîne. Vous trouverez des informations sur l'utilisation du gabarit d'affûtage sur l'emballage. Utilisez une lime plate pour retirer l'excès sur la partie qui dépasse du limiteur d'épaisseur du copeau. L'épaisseur est correcte quand vous pouvez passer la lime sur le gabarit sans ressentir de résistance. (25)

Tension de la chaîne



AVERTISSEMENT! Une tension insuffisante de la chaîne augmente le risque que la chaîne saute et donc de blessures graves, voire mortelles.

Plus on utilise une chaîne, plus elle s'allonge. L'équipement de coupe doit être réglé après une telle altération.

La tension de la chaîne doit être contrôlée après chaque plein d'essence. REMARQUE! Une nouvelle chaîne exige une période de rodage durant laquelle il faudra vérifier la tension plus souvent.

En règle générale, il faut tendre la chaîne au maximum, mais pas au point de ne plus pouvoir la faire tourner manuellement. (26)

435 II, 440 II



- Dévisser l'écrou du guide-chaîne fixant le carter d'embrayage/frein de chaîne. Utiliser la clé universelle. Serrer ensuite à fond et manuellement l'écrou du guide-chaîne. (27)
- Soulever le nez du guide et tendre la chaîne en serrant la vis du tendeur de chaîne avec la clé universelle. Tendre la chaîne jusqu'à ce qu'elle ne soit plus molle sous le guide. (28)

INSTRUCTIONS GÉNÉRALES DE SÉCURITÉ

- Utiliser la clé universelle pour serrer l'écrou du guide-chaîne tout en tenant levé le nez du guide. Contrôler que la chaîne peut tourner manuellement et qu'elle ne pend pas sous le guide. **(29)**

L'emplacement de la vis du tendeur de chaîne varie avec les modèles de tronçonneuses. Voir le chapitre Quels sont les composants? pour savoir où elle se trouve sur votre modèle.

435e II, 440e II



- Libérer le bouton en le dépliant. **(30)**
- Tourner le bouton dans le sens contraire des aiguilles d'une montre pour libérer le couvercle du guide. **(31)**
- Régler la tension de la chaîne en tournant la manette vers le bas (+) pour augmenter la tension ou vers le haut (-) pour relâcher la tension. **(32)**
- Serrer l'embrayage du guide en tournant le bouton dans le sens des aiguilles d'une montre. **(33)**
- Rabattre le bouton pour verrouiller la tension de chaîne. **(34)**

Lubrification de l'équipement de coupe



AVERTISSEMENT! Une lubrification insuffisante de l'équipement de coupe augmente le risque de rupture de chaîne et donc de blessures graves, voire mortelles.

Huile de chaîne de tronçonneuse

L'huile de chaîne doit bien adhérer à la chaîne et posséder d'excellentes qualités de fluidité par tous les temps, aussi bien en été qu'en hiver.

En tant que fabricant de tronçonneuses nous avons mis au point une huile de chaîne hautement performante et qui, grâce à sa base végétale, est de plus biodégradable. Nous recommandons l'utilisation de cette huile pour une durée de vie maximale de la chaîne et pour la protection de l'environnement. Si notre huile de chaîne n'est pas disponible, nous recommandons l'utilisation d'une huile de chaîne ordinaire.

Ne jamais utiliser de l'huile usagée! Cela représente un danger pour vous, pour la machine et pour l'environnement.

IMPORTANT! Si de l'huile de chaîne végétale est utilisée, démontez et nettoyez la gorge du guide-chaîne et la chaîne avant de les remettre pour une période prolongée. Si vous ne le faites pas, l'huile de chaîne risque de s'oxyder et la chaîne pourrait se raidir et le pignon du nez gripper.

Remplissage d'huile de chaîne

- Toutes nos tronçonneuses sont dotées d'un dispositif de lubrification automatique de la chaîne. Certains modèles ont également un débit réglable.
- Le réservoir d'huile de chaîne et le réservoir de carburant sont dimensionnés pour que le carburant prenne fin avant l'huile de chaîne.

Cette fonction de sécurité suppose l'utilisation d'une huile de chaîne appropriée (une huile trop fluide viderait le réservoir d'huile avant l'essence), un réglage correct du carburateur (un réglage trop pauvre empêcherait le carburant de s'épuiser avant l'huile) et un équipement de coupe bien choisi (un guide-chaîne long demande davantage d'huile de chaîne).

Contrôle de la lubrification de la chaîne

- Vérifier la lubrification à chaque plein d'essence.

Diriger le nez du guide sur un objet fixe clair à une distance de 20 cm (8 pouces). Après 1 minute de marche à 3/4 de régime, l'objet clair doit nettement présenter un film d'huile en forme de ruban.

En cas de mauvais fonctionnement de la lubrification de la chaîne:

- Vérifier que le canal de graissage du guide-chaîne est bien ouvert. Le nettoyer au besoin. **(35)**
- S'assurer que la gorge du guide est propre. La nettoyer au besoin. **(36)**
- Vérifier que le pignon du nez tourne librement et que l'orifice de graissage est propre. Nettoyer et graisser au besoin. **(37)**

Si, après les contrôles et mesures ci-dessus, la lubrification de la chaîne n'est toujours pas satisfaisante, s'adresser obligatoirement à un atelier spécialisé.

Pignon d'entraînement



Le tambour d'embrayage est muni de l'un des pignons d'entraînement suivants:

- A Spur (soudé sur le tambour)
- B Rim (remplaçable) **(38)**

Vérifier régulièrement le degré d'usure du pignon. Le remplacer en cas d'usure excessive. Le pignon doit être remplacé en même temps que la chaîne.

INSTRUCTIONS GÉNÉRALES DE SÉCURITÉ

Graissage du roulement à aiguilles



L'arbre de sortie de ces deux types de pignons d'entraînement de chaîne est doté d'un roulement à aiguilles qui doit être graissé régulièrement (1 fois par semaine). REMARQUE! Utiliser de la graisse pour paliers de bonne qualité ou de l'huile moteur.

Voir les instructions au chapitre Entretien, Braissage du roulement à aiguilles.

Contrôle de l'usure de l'équipement de coupe



Vérifier quotidiennement l'état de la chaîne et s'assurer:

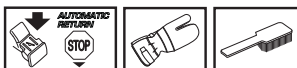
- Que les rivets et les maillons ne comportent pas de fissures.
- Que la chaîne n'est pas raide.
- Que les rivets et les maillons ne sont pas anormalement usés.

Jetez la chaîne si un des points ci-dessus est vérifié.

Il est recommandé de comparer avec une chaîne neuve pour évaluer le degré d'usure.

Limer de manière à amener toutes les dents à la même hauteur. Si la hauteur de dent est inférieure à 4 mm (5/32"), la chaîne est usée et doit être remplacée. (23)

Guide-chaîne



Vérifier régulièrement:

- Qu'il n'y a pas de bavures sur les côtés extérieurs de la gorge. Les limer au besoin.
- Que la gorge du guide n'est pas anormalement usée. Remplacer le guide si nécessaire.
- Que le nez n'est pas anormalement ou irrégulièrement usé. Si un creux s'est formé à l'extrémité du rayon du nez (bord inférieur), la chaîne n'était pas suffisamment tendue.
- Retourner le guide quotidiennement pour assurer une durée de vie optimale.



AVERTISSEMENT! La plupart des accidents surviennent quand la chaîne de la tronçonneuse touche l'utilisateur.

Utiliser les équipements de protection personnelle. Voir au chapitre "Équipement de protection personnelle".

L'utilisateur se doit d'éviter tous les travaux pour lesquels il se sent mal préparé. Voir aux chapitres Équipement de protection personnelle, Mesures anti-rebond, Équipement de coupe et Méthodes de travail.

Éviter les situations susceptibles de provoquer des rebonds. Voir le chapitre Équipement de sécurité de la machine.

Utiliser les équipements de coupe recommandés et en vérifier le bon état. Voir le chapitre Méthodes de travail.

Vérifier le bon fonctionnement des équipements de sécurité de la tronçonneuse. Voir aux chapitres Méthodes de travail et Instructions générales de sécurité.

MONTAGE

Montage du guide-chaîne et de la chaîne



AVERTISSEMENT! Utiliser des gants pour toute manipulation de la chaîne.

435 II, 440 II

- **S'assurer que le frein de chaîne ne s'est pas déclenché en amenant l'arceau protecteur contre l'étrier de la poignée avant. (39)**
- Dévisser l'écrou du guide-chaîne et retirer le carter d'embrayage (frein de chaîne). Déposer la protection de transport (A). (40)
- Monter le guide-chaîne sur le boulon du guide. Placer le guide sur sa position la plus reculée. Placer la chaîne sur le pignon d'entraînement et dans la rainure du guide-chaîne. Commencer par le dessus du guide-chaîne. (41)
- S'assurer que la face tranchante des dents est vers l'avant sur le dessus du guide.
- Monter le carter d'embrayage et veillez à placer le goujon de tension de la chaîne dans l'ouverture du guide. S'assurer que les maillons d'entraînement s'engagent dans le pignon et que la chaîne est correctement placée dans la gorge du guide. Serrer l'écrou du guide à la main.
- Tendre la chaîne en tournant la vis du tendeur de chaîne vers la droite à l'aide de la clé universelle. Tendre la chaîne jusqu'à ce qu'elle ne pende plus sous le guide. (42)
- La chaîne est tendue correctement quand elle ne pend pas sous le guide et peut toujours être avancée à la main sans difficulté. Serrer l'écrou du guide-chaîne avec la clé universelle tout en maintenant relevé le nez du guide. (43)
- La tension d'une chaîne neuve doit être vérifiée fréquemment pendant son rodage. Vérifier régulièrement la tension. Une tension correcte est synonyme de bonne capacité de coupe et de longue durée de vie. (44)

435e II, 440e II

- **S'assurer que le frein de chaîne ne s'est pas déclenché en amenant l'arceau protecteur contre l'étrier de la poignée avant. (45)**
- Desserrer le galet de tension de la chaîne et retirer le carter d'embrayage (frein de chaîne). Retirer la protection de transport. (A) (46)
- Positionner le guide-chaîne sur les écrous et l'amener à sa position la plus reculée. Placer la chaîne sur le

pignon d'entraînement et dans la gorge du guide-chaîne. Commencer par le dessus du guide. (41)

- S'assurer que la face tranchante des dents est vers l'avant sur le dessus du guide.
- Monter le carter d'embrayage et veillez à placer le goujon de tension de la chaîne dans l'ouverture du guide. S'assurer que les maillons d'entraînement s'engagent dans le pignon et que la chaîne est correctement placée dans la gorge du guide.
- Serrer la chaîne en tournant la manette vers le bas. La chaîne doit être tendue jusqu'à ce qu'elle ne pende plus sous le guide. (32)
- La chaîne est tendue correctement quand elle ne pend plus sous le guide et peut encore être tournée facilement à la main. Tenir le nez du guide et serrer l'embrayage du guide en tournant la manette dans le sens contraire des aiguilles d'une montre. (33)
- La tension d'une chaîne neuve doit être vérifiée fréquemment pendant son rodage. Vérifier régulièrement la tension. Une tension correcte est synonyme de bonne capacité de coupe et de longue durée de vie. (44)

Montage du patin d'ébranchage

Pour monter le patin d'ébranchage, contacter un atelier d'entretien. (47)

MANIPULATION DU CARBURANT

Carburant

Remarque! La machine est équipée d'un moteur deux temps et doit toujours être alimentée avec un mélange d'essence et d'huile deux temps. Afin d'assurer un rapport de mélange correct, il est important de mesurer avec précision la quantité d'huile à mélanger. Pour le mélange de petites quantités de carburant, même de petites erreurs au niveau de la quantité d'huile affectent sérieusement le rapport du mélange.



AVERTISSEMENT! Veiller à une bonne aération pendant toute manipulation de carburant.

Essence



- Utiliser une essence de qualité, avec ou sans plomb.
- L'indice d'octane le plus bas recommandé est de 90 (RON). Si le moteur utilise une essence d'un indice d'octane inférieur à 90, des cognements risquent de se produire. Ceci résulte en une augmentation de la température du moteur et une charge élevée au niveau des paliers pouvant causer de graves avaries moteur.
- Pour les travaux utilisant un régime élevé continu (l'élagage, par ex.), il est recommandé d'utiliser un taux d'octane supérieur.

Carburant écologique

HUSQVARNA recommande l'utilisation d'une essence écologique (dite essence alkylat), soit une essence deux temps prémélangée Aspen, soit une essence écologique pour moteurs quatre temps mélangée avec de l'huile deux temps selon les instructions ci-dessous. Noter qu'il peut être nécessaire de procéder à un réglage du carburateur lors du changement de type d'essence (voir les instructions à la section Carburateur).

Carburant à l'éthanol

HUSQVARNA recommande l'utilisation de carburant commercial à l'éthanol présentant une teneur maximale en éthanol de 10 %.

Rodage

La conduite à un régime trop élevé pendant de longues périodes doit être évitée pendant les 10 premières heures.

Huile deux temps

- Pour obtenir un fonctionnement et des résultats optimaux, utiliser une huile moteur deux temps HUSQVARNA fabriquée spécialement pour nos moteurs deux temps à refroidissement à air.
- Ne jamais utiliser d'huile deux temps pour moteurs hors-bord refroidis par eau, appelée huile outboard (désignation TCW).
- Ne jamais utiliser d'huile pour moteurs à quatre temps.

- Une huile de qualité médiocre ou un mélange huile/carburant trop riche risquent de mettre en péril le fonctionnement du pot catalytique et d'en réduire la durée de vie.

Rapport de mélange

1:50 (2%) avec huile deux temps HUSQVARNA.

1:33 (3%) avec d'autres huiles conçues pour des moteurs deux temps à refroidissement par air classés pour JASO FB/ISO EGB.

Essence, litres	Huile deux temps, litres	
	2% (1:50)	3% (1:33)
5	0,10	0,15
10	0,20	0,30
15	0,30	0,45
20	0,40	0,60

Mélange

- Mélangez toujours l'essence et l'huile dans un récipient propre approuvé pour l'essence.
- Toujours commencer par verser la moitié de l'essence à mélanger. Verser ensuite la totalité de l'huile. Mélanger en secouant le récipient. Enfin, verser le reste de l'essence.
- Mélanger (secouer) soigneusement le mélange avant de faire le plein du réservoir de la machine.
- Ne jamais préparer plus d'un mois de consommation de carburant à l'avance.
- Si la machine n'est pas utilisée pendant une longue période, vidanger et nettoyer le réservoir.

Huile pour chaîne

- Il est recommandé d'utiliser une huile spéciale (huile pour chaîne) possédant de bonnes qualités d'adhérence pour la lubrification. **(48)**
- Ne jamais utiliser d'huile usagée. Ceci endommagerait la pompe à huile, le guide-chaîne et la chaîne.
- Il est important d'utiliser une huile adaptée à la température de l'air (viscosité appropriée).
- Les températures inférieures à 0°C rendent certaines huiles visqueuses. Ceci peut causer une surcharge de la pompe à huile, endommageant les pièces de la pompe.
- Contacter l'atelier spécialisé pour obtenir des conseils sur le choix d'une huile de chaîne adéquate.

MANIPULATION DU CARBURANT

Remplissage de carburant



AVERTISSEMENT! Les mesures de sécurité ci-dessous réduisent le risque d'incendie:

Ne fumez jamais ni ne placez d'objet chaud à proximité du carburant.

Arrêter le moteur et le laisser refroidir pendant quelques minutes avant de faire le plein.

Ouvrir le bouchon du réservoir lentement pour laisser baisser la surpression pouvant régner dans le réservoir.

Serrer soigneusement le bouchon du réservoir après le remplissage.

Éloignez toujours la machine de la zone et de la source du plein en carburant avant de la mettre en marche.

Essuyer le pourtour des bouchons des réservoirs. Nettoyer régulièrement les réservoirs de carburant et d'huile pour chaîne. Remplacer le filtre à carburant au moins une fois par an. Des impuretés dans les réservoirs sont causes de mauvais fonctionnement. Veiller à obtenir un mélange homogène en secouant le récipient avant de remplir le réservoir. Les contenances des réservoirs de carburant et d'huile pour chaîne sont adaptées l'une à l'autre. Toujours faire le plein des réservoirs de carburant et d'huile à la même occasion. (48)



AVERTISSEMENT! Le carburant et les vapeurs de carburant sont extrêmement inflammables. Observer la plus grande prudence en manipulant le carburant et l'huile de chaîne. Penser au risque d'explosion, d'incendie ou d'empoisonnement.

Retrait du bouchon du réservoir de carburant et d'huile de chaîne

- Appuyez sur la partie texturée du levier de relevage et déplacez-le en position relevée. (49)
- Desserrez le bouchon en le tournant dans le sens inverse des aiguilles d'une montre. (50)
- Retirez le bouchon. (51)

Repositionnement du bouchon du réservoir de carburant et d'huile de chaîne

- Insérez le bouchon avec le levier de relevage en position relevée. (52)
- Serrez fermement le bouchon en le tournant dans le sens des aiguilles d'une montre. (53)
- Baissez le levier de relevage. (54)

IMPORTANT! Remplacez toujours un bouchon endommagé.

Sécurité carburant

- Ne jamais effectuer le remplissage de la machine lorsque le moteur tourne.
- Veiller à une bonne aération lors du remplissage et du mélange de carburant (essence et huile 2 temps).
- Avant de mettre la machine en marche, la déplacer à au moins 3 mètres de l'endroit où a été fait le plein.
- Ne jamais démarrer la machine:
 - 1 Si du carburant ou de l'huile de chaîne ont été répandus sur la machine. Essuyer soigneusement toute trace et laisser les restes d'essence s'évaporer.
 - 2 Si vous avez renversé du carburant sur vous ou sur vos vêtements, changez de vêtements. Lavez les parties du corps qui ont été en contact avec le carburant. Utilisez de l'eau et du savon.
 - 3 S'il y a fuite de carburant. Vérifier régulièrement que le bouchon du réservoir et la conduite de carburant ne fuient pas.



AVERTISSEMENT! N'utilisez jamais une machine présentant des dommages visibles sur la protection de bougie et sur le câble d'allumage. Des étincelles pourraient être générées et provoquer un incendie.

Transport et rangement

- Remiser la tronçonneuse et le carburant de sorte que ni fuites ni émanations ne puissent entrer en contact avec une étincelle ou flamme. Par exemple machines électriques, moteurs électriques, contacteurs ou interrupteurs électriques, chaudières, etc.
- Lors du remisage du carburant, n'utiliser que des récipients spécialement destinés à contenir du carburant.
- En cas de longues périodes de remisage ou de transport de la tronçonneuse, les réservoirs de carburant et d'huile devront être vidés. Pour se débarrasser du surplus, s'adresser à la station-service la plus proche.
- La protection pour le transport doit toujours être montée sur l'équipement de coupe au cours du transport et du remisage de la machine, pour éviter tout contact involontaire avec la chaîne acérée. Même une chaîne immobile peut blesser gravement la personne qui la heurte.
- Retirer le capuchon de la bougie. Activer le frein de chaîne.
- Sécurisez la machine pendant le transport.

Remisage prolongé

Videz les réservoirs de carburant et d'huile dans un endroit bien aéré. Conservez le carburant dans des bidons approuvés dans un endroit sûr. Montez la protection du guide-chaîne. Nettoyez la machine. Voir les instructions au chapitre Schéma d'entretien.

Avant de remiser la machine pour une période prolongée, veiller à ce qu'elle soit bien nettoyée et que toutes les mesures d'entretien aient été effectuées.

DÉMARRAGE ET ARRÊT

Démarrage et arrêt



AVERTISSEMENT! Contrôler les points suivants avant la mise en marche:

Le frein de chaîne doit être activé lors du démarrage de la tronçonneuse afin de réduire le risque de contact avec la chaîne en rotation.

Ne pas démarrer la tronçonneuse si le guide, la chaîne et tous les capots ne sont pas montés. Sinon, l'embrayage risque de se détacher et de causer des blessures personnelles.

Placer la machine sur un support stable. Veiller à adopter une position stable et à ce que la chaîne ne puisse pas entrer en contact avec quoi que ce soit.

Veiller à ce qu'aucune personne non autorisée ne se trouve dans la zone la travail.

Ne jamais enrouler la corde du lanceur autour de la main.

Démarrage

Le frein de chaîne doit être activé quand la tronçonneuse est démarrée. Activer le frein en poussant la protection anti-rebond vers l'avant. (55)

Moteur froid

Position de démarrage, 1: Mettez l'interrupteur marche/arrêt en position starter en tirant la commande rouge vers l'extérieur - vers le haut. (56)

Pompe à carburant (2): Appuyer plusieurs fois sur la poche en caoutchouc de la pompe à carburant jusqu'à ce que le carburant remplisse la poche (env. 6 fois). Il n'est pas nécessaire de remplir la poche complètement. (56)

Saisissez la poignée avant de la main gauche. Maintenez la tronçonneuse au sol en plaçant votre pied droit dans la poignée arrière. (57)

Tirer la poignée du lanceur, 3: saisissez la poignée du lanceur de la main droite, tirez la corde du lanceur lentement jusqu'à sentir une résistance (les cliquets se mettent en prise). Tirez ensuite rapidement et fermement jusqu'au démarrage du moteur.

Enfoncez la commande rouge du starter, 4: Dès que le moteur s'allume, en émettant alors un bruit de «soufflement», enfoncez la commande rouge du starter.

Tirer la poignée du lanceur (5): continuez de tirer la corde du lanceur avec force jusqu'à ce que le moteur démarre.

Moteur chaud

Position de démarrage, 1: Un ralenti accéléré combiné au starter adéquat pour un démarrage à chaud est obtenu en bougeant tout d'abord la commande de starter en tirant la commande rouge vers le haut et vers le bas. (56)

Pompe à carburant (2): Appuyer plusieurs fois sur la poche en caoutchouc de la pompe à carburant jusqu'à ce que le carburant remplisse la poche (env. 6 fois). Il n'est pas nécessaire de remplir la poche complètement. (56)

Enfoncez la commande rouge du starter, 3: Cette manœuvre désactive le starter, ce qui n'est pas nécessaire pour démarrer une tronçonneuse à chaud. Toutefois, le mouvement de l'interrupteur marche/arrêt aura engagé un ralenti, facilitant ainsi un démarrage à chaud.

Tirer la poignée du lanceur, 4: Saisissez la poignée avant de la main gauche. Maintenez la tronçonneuse au sol en plaçant votre pied droit dans la poignée arrière. (57)

Saisissez la poignée du lanceur de la main droite, tirez la corde du lanceur lentement jusqu'à sentir une résistance (les cliquets se mettent en prise). Tirez ensuite rapidement et fermement jusqu'au démarrage du moteur.

Le frein de chaîne étant encore activé, le régime du moteur doit être mis sur le ralenti au plus vite en déconnectant la gâchette d'accélération. Il convient pour ce faire de presser très légèrement la gâchette d'accélération. L'on évite ainsi toute usure inutile de l'embrayage, du tambour d'embrayage et de la bande de frein. Laisser la machine tourner au ralenti pendant quelques minutes avant de donner les pleins gaz.

Le bord arrière de la tronçonneuse(A) comporte un rappel simple des instructions de démarrage avec des illustrations décrivant les différentes étapes. (57)

REMARQUE! Ne pas sortir complètement la corde du lanceur et ne pas lâcher la poignée avec la corde du lanceur complètement sortie. Cela pourrait endommager la machine.

Remarque! Réinitialiser le frein de chaîne en poussant la protection anti-rebond contre l'étrier de la poignée. La tronçonneuse est maintenant prête à être utilisée.



AVERTISSEMENT! Une inhalation prolongée des gaz d'échappement du moteur, du brouillard d'huile de chaîne et de la poussière de copeaux peut constituer un danger pour la santé.

- Ne jamais démarrer la tronçonneuse si le guide, la chaîne et tous les capots ne sont pas correctement montés. Voir les instructions au chapitre Montage. Si le guide et la chaîne ne sont pas montés sur la tronçonneuse, l'accouplement peut se détacher et causer des dommages graves.
- Le frein de chaîne doit être activé quand la tronçonneuse est démarrée. Voir les instructions au chapitre Démarrage et arrêt. Ne démarrez jamais la tronçonneuse en l'air. Cette méthode est très dangereuse car il est facile de perdre le contrôle de la tronçonneuse. (55)
- Ne jamais mettre la machine en marche à l'intérieur. Les gaz d'échappement du moteur sont nocifs.

DÉMARRAGE ET ARRÊT

- S'assurer que la zone de travail est bien dégagée et qu'aucune personne et aucun animal ne risquent d'entrer en contact avec l'équipement de coupe.
- Tenez toujours la tronçonneuse à deux mains. Tenez la main droite sur la poignée arrière et la main gauche sur la poignée avant. **Tous les utilisateurs, droitiers et gauchers, doivent la tenir ainsi.** Tenez fermement en entourant la poignée de la tronçonneuse avec les pouces et les autres doigts.

Arrêt

Pour arrêter le moteur, appuyer sur le bouton marche/arrêt. **(59)**

REMARQUE! Le bouton marche/arrêt retourne automatiquement en mode de conduite. Afin d'éviter tout démarrage accidentel, toujours retirer le capuchon de la bougie quand la machine n'est pas sous surveillance. **(60)**

Avant chaque utilisation: (61)

- 1 Contrôler que le frein de chaîne fonctionne correctement et n'est pas endommagé.
- 2 Contrôler que la protection arrière de la main droite n'est pas endommagée.
- 3 Contrôler que le blocage de l'accélération fonctionne correctement et n'est pas endommagé.
- 4 Contrôlez que l'interrupteur d'arrêt fonctionne correctement et est en bon état.
- 5 Contrôler que toutes les poignées ne comportent pas d'huile.
- 6 Contrôler que le système anti-vibrations fonctionne correctement et n'est pas endommagé.
- 7 Contrôler que le silencieux est bien attaché et qu'il n'est pas endommagé.
- 8 Contrôler que tous les éléments de la tronçonneuse sont serrés et qu'ils ne sont ni endommagés ni absents.
- 9 Contrôler que le capteur de chaîne est bien en place et qu'il n'est pas endommagé.
- 10 Contrôlez la tension de la chaîne.

Méthodes de travail

IMPORTANT!

Ce chapitre traite des mesures élémentaires de sécurité à respecter en travaillant avec la tronçonneuse.

Cependant, aucune information ne peut remplacer l'expérience et le savoir-faire d'un professionnel. En cas de doute ou de difficulté quant à l'utilisation de la machine, consulter un spécialiste. Demander conseil au point de vente de la tronçonneuse, à l'atelier d'entretien ou à un utilisateur expérimenté. L'utilisateur doit éviter d'utiliser la machine s'il ne se sent pas suffisamment qualifié pour le travail à effectuer!

Avant d'utiliser la tronçonneuse, il convient de comprendre le phénomène de rebond et de savoir comment l'éviter. Voir au chapitre Mesures anti-rebond.

Avant d'utiliser la tronçonneuse, il faut connaître les différences entre les deux méthodes de sciage: sciage avec la partie supérieure ou sciage avec la partie inférieure de la chaîne. Voir les instructions aux chapitres Mesures anti-rebond et Équipement de sécurité de la machine.

Utiliser les équipements de protection personnelle. Voir au chapitre "Équipement de protection personnelle".

Règles élémentaires de sécurité

- 1 Bien observer la zone de travail:
- S'assurer qu'aucune personne, aucun animal ou aucun autre facteur ne risque de gêner l'utilisateur de la machine.
 - S'assurer que les susnommés ne risquent pas d'entrer en contact avec la chaîne de la tronçonneuse ou d'être blessés par la chute de l'arbre coupé.

REMARQUE! Observer les règles ci-dessus mais ne jamais utiliser une tronçonneuse sans s'assurer la possibilité de pouvoir appeler à l'aide en cas d'accident.

- 2 Ne pas travailler par mauvais temps: brouillard épais, pluie diluvienne, vent violent, grand froid, etc. Travailler par mauvais temps est cause de fatigue et peut même être dangereux: sol glissant, direction de chute d'arbre modifiée, etc.
- 3 Observer la plus grande prudence en élaguant les petites branches et éviter de scier un bosquet (ou plusieurs branchettes en même temps). Les branchettes peuvent se coincer dans la chaîne, être projetées vers l'utilisateur et causer des blessures personnelles graves.
- 4 S'assurer de pouvoir se tenir et se déplacer en toute sécurité. Repérer les éventuels obstacles en cas de déplacement imprévu: souches, pierres, branchages, fondrières, etc. Observer la plus grande prudence lors de travail sur des terrains en pente.
- 5 Observer la plus grande prudence lors de l'abattage des arbres sous tension. Avant et après le sciage, les arbres sous tension risquent de brutalement retrouver leur position initiale. Un mauvais placement de l'utilisateur ou de l'entaille d'abattage peut entraîner un choc avec l'arbre pouvant résulter en une chute ou en une perte du contrôle de la machine. Ces deux cas de figure sont susceptibles de provoquer des blessures graves.



- 6 Pour se déplacer, bloquer la chaîne avec le frein de chaîne et couper le moteur. Porter la tronçonneuse avec le guide et la chaîne tournés vers l'arrière. Pour un transport prolongé, utiliser le fourreau du guide-chaîne.
- 7 Quand vous posez la tronçonneuse par terre, bloquez la chaîne avec le frein de chaîne et veillez à toujours voir la machine. Coupez toujours le moteur en cas de "stationnement" prolongé.



AVERTISSEMENT! Des copeaux se coincent parfois dans le carter de l'embrayage, ce qui bloque la chaîne. Arrêtez toujours le moteur avant le nettoyage.

Règles élémentaires

- 1 En comprenant en quoi consiste et comment se produit un rebond, il est possible de limiter et même d'éliminer l'effet de surprise qui augmente le risque d'accident. La plupart des rebonds sont courts, mais certains peuvent être extrêmement rapides et violents.
- 2 Toujours tenir la tronçonneuse fermement des deux mains, la main droite sur la poignée arrière, la gauche sur la poignée avant. Tenir les poignées solidement avec les doigts et le pouce. Toujours tenir la tronçonneuse dans cette position, que l'on soit droitier

TECHNIQUES DE TRAVAIL

ou gaucher. Une prise solide aide à maîtriser les rebonds et à mieux contrôler la tronçonneuse. **Ne pas lâcher les poignées!**

- 3 La plupart des accidents dus à un rebond se produisent lors de l'élagage. Se tenir fermement sur les jambes et s'assurer que la zone de travail est bien dégagée pour ne pas risquer de trébucher ou de perdre l'équilibre.

Par manque d'attention, la zone de rebond du nez du guide peut buter sur une souche, un rondin, une branche ou un arbre voisin et occasionner un rebond.

Gardez le contrôle de la pièce de travail. Si les pièces que vous sciez sont petites et légères, elles peuvent se coincer dans la chaîne et être projetées sur vous. Même si cela n'est pas dangereux en soi, vous pouvez être surpris et perdre le contrôle de la tronçonneuse. Ne sciez jamais des branches ou des billes empilées sans les séparer. Sciez seulement une bille ou un morceau à la fois. Retirez les morceaux sciés pour que votre zone de travail reste sûre. (62)

- 4 **Ne jamais se servir de la tronçonneuse à un niveau trop élevé, plus haut que les épaules, et éviter de couper avec la pointe du guide-chaîne. Ne jamais tenir la tronçonneuse d'une seule main! (63)**

- 5 Afin de conserver le contrôle de la tronçonneuse, toujours conserver une position stable. Ne jamais travailler sur une échelle, dans un arbre ou sur tout autre support ne garantissant pas une bonne sécurité. (64)

- 6 Toujours travailler à la vitesse maximale, c'est à dire à plein régime.

- 7 Observer la plus grande prudence en utilisant le tranchant supérieur du guide-chaîne, c'est à dire en sciant la pièce par en dessous (de bas en haut). Ceci s'appelle travailler en poussée. La force réactionnelle de la chaîne pousse la tronçonneuse vers l'utilisateur. Si la chaîne se coince, la tronçonneuse peut être rejetée contre vous. (65)

- 8 Il importe de résister à la poussée en arrière du guide-chaîne. En effet, si le guide-chaîne est repoussé suffisamment en arrière pour que la zone de rebond du nez se trouve en contact avec l'arbre, un rebond peut se produire. (66)

Le tronçonnage avec la partie inférieure de la chaîne, c'est à dire par dessus (de haut en bas), s'appelle méthode "poussée". La tronçonneuse est attirée vers l'arbre et le bord avant de la tronçonneuse devient un appui naturel contre l'arbre. Dans ce cas, l'utilisateur contrôle mieux à la fois sa tronçonneuse et la zone de rebond du nez. (67)

- 9 Suivre les instructions du fabricant relatives à l'affûtage et à l'entretien. Lors du remplacement du guide et de la chaîne, n'utiliser que les combinaisons chaîne et guide-chaîne recommandées. Voir aux chapitres Equipement de coupe et Caractéristiques techniques.

Technique de base pour la coupe



AVERTISSEMENT! N'utilisez jamais une tronçonneuse en la tenant d'une seule main. Il n'est pas possible de contrôler correctement une tronçonneuse d'une seule main. Tenez toujours fermement les poignées des deux mains.

Généralités

- Toujours travailler à plein régime!
- Mettre le moteur au ralenti après chaque coupe (la maintenance du régime maximal hors charge, c'est à dire sans que le moteur ait à supporter le travail de la chaîne, risque d'endommager gravement le moteur).
- Scier de haut en bas = méthode "tirée"
- Scier de bas en haut = méthode "poussée".

Scier en utilisant la méthode "poussée" implique un risque accru de rebond. Voir au chapitre Mesures anti-rebond.

Terminologie

Sciage = consiste à scier le tronc de part en part.

Élagage = consiste à ébrancher un arbre abattu.

Fendage = consiste à casser la pièce avant que l'entaille ne soit terminée.

Avant toute opération de sciage, observer les cinq facteurs suivants:

- 1 Ne pas coincer l'outil de coupe dans l'entaille. (68)
- 2 Ne pas casser la pièce en cours de sciage. (69)
- 3 La chaîne ne doit rencontrer ni le sol ni tout autre obstacle pendant ou après le sciage. (70)
- 4 Y a-t-il risque de rebond? (4)
- 5 L'aspect du site et du terrain peut-il gêner la sécurité de la position de travail et des déplacements?

Si la chaîne se coince ou si la pièce à scier se casse, cela dépend de deux raisons: le support de la pièce avant et après le sciage et l'état de tension de la pièce.

Il est en général possible d'éviter les inconvénients indiqués ci-dessus en effectuant le sciage en deux temps, soit de haut en bas, soit de bas en haut. Il s'agit alors de neutraliser la tendance naturelle de la pièce à coincer la chaîne ou à se fendre.

IMPORTANT! Si la chaîne se coince dans l'entaille, couper immédiatement le moteur! Ne pas tirer sur la tronçonneuse pour la dégager afin de ne pas se blesser à la chaîne au moment où la tronçonneuse se décroince subitement. Utiliser un bras de levier pour décroincer la tronçonneuse.

La liste suivante indique comment se tirer des situations les plus couramment rencontrées par les utilisateurs de tronçonneuses.

TECHNIQUES DE TRAVAIL

Élagage

Lors de l'élagage de branches épaisses, procéder comme pour le sciage ordinaire.

Couper les branches gênantes par étapes, une par une. (71)

Sciage



AVERTISSEMENT! N'essayez jamais de scier des billes empilées ou serrées les unes contre les autres. Vous augmenteriez considérablement le risque de rebond et de blessures graves et même mortelles.

Si vous avez une pile de billes, chaque bille à scier doit être retirée du tas, placée sur un chevalet ou un autre support approprié et être sciée séparément.

Retirez les morceaux sciés de la zone de travail. Si vous les laissez dans la zone de travail, vous augmentez le risque de rebond accidentel et le risque de perdre l'équilibre quand vous travaillez. (72)

Le tronc est couché à même le sol. Il n'y a aucun risque de coinçage de la chaîne ou de fendage de la pièce à scier. Par contre, il existe un risque important que la chaîne rencontre le sol après le sciage. (73)

Couper le tronc de haut en bas. Faire attention à la fin de l'entaille pour éviter que la chaîne ne rencontre le sol. Maintenir le plein régime et se préparer à toute éventualité. (74)

Si cela est possible (= s'il est possible de retourner le tronc), interrompre de préférence l'entaille aux 2/3 du tronc.

Retourner le tronc de manière à pouvoir couper le 1/3 restant de haut en bas. (75)

Une extrémité du tronc repose sur un support. Risque important de fendage. (76)

Commencer par couper le tronc par en bas (environ 1/3 du diamètre).

Finir la coupe par en haut, de manière que les deux traits de coupe se rencontrent. (77)

Les deux extrémités du tronc reposent sur des supports. Risque important de coinçage de la chaîne. (78)

Commencer par couper le tronc par le haut (environ 1/3 du diamètre).

Finir la coupe par en dessous, de manière que les traits de coupe se rencontrent. (79)

Techniques d'abattage

IMPORTANT! L'abattage d'un arbre demande beaucoup d'expérience. Un utilisateur non expérimenté ne doit pas effectuer d'abattages. L'utilisateur se doit d'éviter toute utilisation qu'il ne maîtrise par suffisamment!

Distance de sécurité

La distance de sécurité à respecter entre un arbre à abattre et le lieu de travail doit être d'au moins 2 1/2 fois la hauteur de l'arbre. Veiller à ce que personne ne se trouve dans la "zone dangereuse" avant et pendant l'abattage. (80)

Sens d'abattage

Le but consiste à placer l'arbre abattu de façon à ce que l'ébranchage et le tronçonnage ultérieurs du tronc puissent être effectués sur un terrain aussi favorable que possible. Chercher à sécuriser au maximum la position de travail.

Après avoir décidé du sens d'abattage de l'arbre, déterminer dans quel sens l'arbre aura tendance à s'abattre naturellement.

Les facteurs déterminants sont:

- L'inclinaison
- La courbure
- La direction du vent
- La densité des branches
- Le poids éventuel de la neige
- Obstacles autour de l'arbre: d'autres arbres, des lignes électriques, des routes et des bâtiments par exemples.
- Observez si l'arbre est abîmé ou pourri, car il risque alors de se rompre et de commencer à tomber plus tôt que prévu.

Cette estimation peut amener à juger plus prudent de laisser l'arbre tomber dans son sens naturel de chute, soit que le sens d'abattage décidé auparavant soit impossible à obtenir, soit qu'il constitue un danger.

Un autre facteur important (qui n'a aucune incidence sur le sens d'abattage mais concerne la sécurité), est la présence éventuelle de branches mortes ou abîmées qui, en se détachant, risquent de provoquer des blessures.

Il convient avant tout éviter que l'arbre abattu ne s'accroche à un autre arbre. Décrocher un arbre coincé dans un autre peut s'avérer très dangereux et présente un grand risque d'accident. Voir les instructions au chapitre Solution à un abattage raté. (81)

IMPORTANT! Lors de délicates opérations d'abattage, les protecteurs d'oreilles devront être retirés dès la fin du tronçonnage afin que tout bruit ou signal d'avertissement puisse être entendu.

Émondage des branches basses et voie de retraite

Ébranchez le tronc jusqu'à hauteur d'épaule. Pour des raisons de sécurité, il est préférable de travailler de haut en bas avec le tronc entre la tronçonneuse et vous. **(82)**

Dégager les taillis autour du tronc et éviter les obstacles tels que pierres, branches cassées, fondrières, etc. pour s'assurer d'une voie de retraite facile au moment de la chute. La voie de retraite doit être à 135° derrière le sens de chute prévu de l'arbre. **(83)**

- 1 Zone de danger
- 2 Voie de retrait
- 3 Sens d'abattage

Abattage



AVERTISSEMENT! Il est déconseillé aux utilisateurs non expérimentés d'abattre un arbre dont le diamètre du tronc est supérieur à la longueur du guide-chaîne!

L'abattage est constitué de trois entailles. On procède d'abord à l'encoche qui comprend une entaille supérieure et une entaille inférieure, puis à l'abattage proprement dit grâce au trait de chute. Un emplacement correct de ces entailles permet de déterminer le point de chute de l'arbre de manière très précises.

Encoche

Pour effectuer l'encoche, commencer par l'entaille supérieure. Aligner la marque d'abattage située la tronçonneuse sur un but, plus loin sur le terrain, là où l'arbre doit tomber (2). Se tenir à droite de l'arbre, derrière la tronçonneuse et utiliser la méthode de sciage dite tirée.

Effectuer ensuite l'entaille inférieure de façon que les deux entailles correspondent. **(84)**

L'encoche doit faire 1/4 du diamètre du tronc et l'angle entre les deux entailles doit être d'au moins 45°.

La ligne de jointure entre les deux entailles s'appelle le trait de chute. Le trait de chute doit être horizontal et former un angle de 90° avec le sens de chute prévu. **(85)**

Trait de chute

Le trait de chute se fait de l'autre côté du tronc et doit être parfaitement horizontal. Se tenir à gauche de l'arbre et utiliser la méthode tirée.

Placer le trait de chute à environ 3-5 cm (1,5-2 pouces) au-dessus du plan horizontal de l'encoche. **(86)**

Placer le patin d'ébranchage (s'il y en a un de monté) derrière la charnière. Scier à plein régime et enfoncer graduellement le guide-chaîne dans le tronc. Attention si l'arbre se déplace dans le sens opposé au sens de chute choisi. Introduire un coin ou un bras de levier dans le trait de chute dès que la profondeur de coupe le permet.

Le trait de chute doit s'achever parallèlement à l'encoche, l'espace entre les deux étant 1/10 du diamètre du tronc. La partie non coupée du tronc s'appelle la charnière.

La charnière guide le tronc dans la direction de chute. **(87)**

Le contrôle de la direction de chute de l'arbre fonctionne mal si la charnière est trop petite ou coupée trop profondément ou si les deux entailles ne coïncident pas. **(88)**

Une fois l'encoche et le trait de chute terminés, l'arbre commence à tomber de lui-même ou à l'aide d'un coin ou d'un bras de levier. **(89)**

Nous recommandons une longueur de guide-chaîne supérieure au diamètre du tronc, pour que le trait de chute et l'encoche soient réalisés d'un simple trait de scie. Vous trouverez des informations sur les longueurs de guide-chaîne recommandées pour votre modèle de tronçonneuse au chapitre Caractéristiques techniques.

Il existe des méthodes d'abattage spécifiques pour les troncs dont le diamètre est supérieur à la longueur du guide-chaîne. Ces méthodes comportent un risque important de choc entre la zone de rebond du guide-chaîne et un objet. **(4)**

Solution à un abattage raté

Récupération d'un arbre accroché

Décrocher un arbre coincé dans un autre peut s'avérer très dangereux et présente un grand risque d'accident. N'essayez jamais de faire tomber un arbre qui s'est coincé dans un autre.

Ne travaillez jamais sous un arbre abattu resté coincé dans un autre arbre. **(90)**

Le plus sûr est d'utiliser un treuil.

- Monté sur tracteur
- Mobile

Sciage d'un arbre ou d'une branche pliés

Préparations: Apprécier la direction dans laquelle l'arbre ou la branche est susceptible de se détendre, ainsi que son point de rupture (en cas de flexion supplémentaire). **(91)**

S'assurer de pouvoir agir sans risque et déterminer si une solution de toute sécurité est possible. En cas de difficulté, le plus sûr moyen est de ne pas se servir de la tronçonneuse et d'avoir recours à un treuil.

Règles générales:

Se placer de façon à ne pas se trouver dans la trajectoire de la branche/de l'arbre lors de la détente. **(92)**

Faire plusieurs entailles à proximité du point de rupture en nombre et de profondeur suffisants pour libérer la tension dans la branche/l'arbre et donc provoquer la cassure de la branche/de l'arbre au point de rupture. **(93)**

Ne jamais scier de part en part un arbre ou une branche pliés!

Si vous devez sciez à travers l'arbre/la branche, faites trois découpes de 3 à 5 cm de profondeur à 3 cm d'intervalle. **(94)**

Continuez à scier plus profondément jusqu'à ce que la tension de l'arbre/la branche se libère. **(95)**

Sciez l'arbre/la branche sur le côté opposé une fois la tension libérée.

Mesures anti-rebond



AVERTISSEMENT! Un rebond peut-être soudain, rapide et violent et renvoyer la tronçonneuse, le guide-chaîne et la chaîne en direction de l'utilisateur. Si la chaîne est alors en rotation, les blessures encourues sont graves et quelquefois mortelles. Il convient donc de comprendre les raisons d'un rebond afin de pouvoir éviter ce phénomène grâce à une bonne méthode de travail et un comportement prudent.

Qu'est-ce qu'un rebond?

Un rebond est la réaction de recul qui peut se produire quand le quart supérieur du nez du guide-chaîne (la zone de rebond) touche un objet quelconque. (66)

Le rebond se produit toujours dans le plan du guide-chaîne. En général, tronçonneuse et guide-chaîne sont relevés simultanément en direction de l'utilisateur. Néanmoins, la direction du rebond peut varier suivant la position de la tronçonneuse au moment où la zone de rebond du guide-chaîne touche un objet quelconque. (7)

Le rebond ne peut se produire que quand la pointe ou nez du guide-chaîne (zone de rebond) touche un objet quelconque. (4)

Élagage



AVERTISSEMENT! La plupart des accidents de rebond se produisent lors de l'ébranchage. N'utilisez pas la zone de rebond du guide. Soyez très prudent et évitez que le nez du guide n'entre en contact avec la bille, d'autres branches ou d'autres objets. Soyez particulièrement prudent avec les branches sous tension. Elles peuvent revenir vers vous et vous faire perdre le contrôle, ce qui pourrait entraîner des blessures.

Se tenir bien d'aplomb et en position sûre. Travailler depuis la gauche du tronc. Se tenir aussi proche que possible de la tronçonneuse pour mieux la maîtriser. Si possible, prendre appui sur le tronc avec le corps de la tronçonneuse.

Ne se déplacer qu'avec le tronc entre soi et la tronçonneuse.

Tronçonnage en rondins

Voir les instructions au chapitre Technique de base pour la coupe.

Généralités

L'utilisateur ne peut effectuer que les travaux d'entretien et de révision décrits dans ce manuel d'utilisation. Les mesures plus importantes doivent être effectuées dans un atelier d'entretien agréé.

Réglage du carburateur

Les caractéristiques techniques de cette machine Husqvarna assurent des émissions de gaz nocifs réduites au minimum.

Fonctionnement

- Le carburateur détermine le régime du moteur via la commande de l'accélération. C'est dans le carburateur que l'air est mélangé à l'essence. Ce mélange air/essence est réglable. Pour pouvoir utiliser la puissance maximale de la machine, le réglage doit être correctement effectué.
- La vis T règle la position de la commande de l'accélération au ralenti. Si la vis T est tournée dans le sens des aiguilles d'une montre, on obtient un régime de ralenti plus haut; si elle est tournée dans le sens contraire des aiguilles d'une montre, on obtient un régime de ralenti plus bas.

Réglage de base et rodage

Le réglage de base du carburateur est effectué à l'usine. Le réglage de précision doit être effectué par un spécialiste.

Régime de ralenti recommandé: Voir le chapitre Caractéristiques techniques.

Réglage fin du ralenti T

Le ralenti se règle avec la vis repérée T. Si un réglage est nécessaire, tourner la vis T dans le sens des aiguilles d'une montre jusqu'à ce que la chaîne commence à tourner. Tourner ensuite la vis dans le sens contraire des aiguilles d'une montre jusqu'à l'arrêt de la chaîne. Un ralenti correctement réglé permet au moteur de tourner régulièrement dans toutes les positions sans entraîner la chaîne, en offrant une marge confortable avant la mise en rotation de la chaîne.



AVERTISSEMENT! Si le réglage de ralenti est impossible sans que la chaîne soit entraînée, contacter un atelier spécialisé compétent. Ne pas utiliser la tronçonneuse tant qu'elle n'est pas correctement réglée ou réparée.

Carburateur correctement réglé

Un carburateur correctement réglé signifie que la machine répond promptement à une accélération et qu'elle fait des bulles à plein régime. De plus, la chaîne ne doit jamais tourner au ralenti. Si le pointeau L est réglé trop pauvrement, les démarrages risquent d'être difficiles et les accélérations médiocres. Un pointeau H réglé sur un mélange trop pauvre résulte en une perte de puissance de la machine, de mauvaises accélérations et/ou des détériorations du moteur.

Contrôle, maintenance et entretien des équipements de sécurité de la tronçonneuse

Remarque! L'entretien et la réparation de la machine exigent une formation spéciale, et plus particulièrement l'équipement de sécurité de la machine. Si les contrôles suivants ne donnent pas un résultat positif, nous vous recommandons de prendre contact avec votre atelier d'entretien.

Frein de chaîne avec arceau protecteur

Contrôle de l'usure du ruban de frein



Nettoyer le frein de chaîne et le tambour d'embrayage (copeaux, résine, saletés). La saleté et l'usure compromettent le bon fonctionnement du frein. (96)

Vérifier régulièrement le ruban qui doit avoir au moins 0,6 mm d'épaisseur à son point le plus usé.

Contrôle de l'arceau protecteur



Vérifier que l'arceau est intact et sans aucun défaut apparent tel que fissures.

Actionner l'arceau d'avant en arrière pour s'assurer qu'il se meut librement et qu'il est solidement fixé à son articulation dans le carter d'embrayage.

Contrôle de la fonction d'inertie



Posez la tronçonneuse avec le moteur arrêté sur une souche ou sur toute autre base stable. Relâchez la poignée avant et laissez la tronçonneuse tomber contre la souche de son propre poids, en pivotant autour de la poignée arrière. (97)

Dès que le nez du guide rencontre l'obstacle, le frein doit se déclencher automatiquement. (98)

Contrôle de l'effet de freinage

Placer la tronçonneuse sur une surface solide et la mettre en marche. Vérifier que la chaîne ne touche pas le sol ou tout autre obstacle. Voir les instructions au chapitre Démarrage et arrêt. (99)

Tenir fermement la tronçonneuse des deux mains, les doigts et le pouce épousant bien les poignées.

Donner le plein régime puis activer le frein de chaîne en poussant le poignet gauche contre l'arceau protecteur. Ne pas lâcher la poignée avant. **La chaîne doit s'arrêter immédiatement.** (58)

Blocage de l'accélération



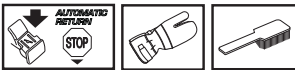
- Vérifier d'abord que la commande de l'accélération est bloquée en position de ralenti quand le blocage de l'accélération est en position initiale. **(100)**
- Appuyer sur le blocage de l'accélération et vérifier qu'il revient de lui-même en position initiale quand il est relâché. **(101)**
- Vérifier que le blocage de l'accélération, la commande d'accélération et leurs ressorts de rappel fonctionnent correctement. **(102)**
- Mettre la tronçonneuse en marche et accélérer au maximum. Lâcher la commande de l'accélération et s'assurer que la chaîne s'arrête et demeure immobile. Si elle tourne quand la commande est en position de ralenti, il convient de contrôler le réglage du ralenti du carburateur.

Capteur de chaîne



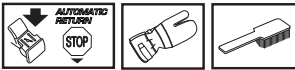
Vérifier que le capteur de chaîne est en bon état et qu'il est bien fixé dans le corps de la tronçonneuse. **(103)**

Protection de la main droite



S'assurer que la protection de la main droite est intacte et sans défauts visibles tels que fissures, etc. **(11)**

Système anti-vibrations



Vérifier régulièrement l'état des éléments afin de détecter fissures et déformations. S'assurer que les éléments sont bien fixés entre le moteur et les poignées. **(104)**

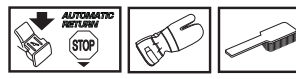
Bouton d'arrêt



Mettre le moteur en marche et s'assurer qu'il s'arrête lorsque le bouton d'arrêt est amené en position d'arrêt. **(59)**

REMARQUE! Le bouton marche/arrêt retourne automatiquement en mode de conduite. Afin d'éviter tout démarrage accidentel, toujours retirer le capuchon de la bougie lors du montage, contrôle et/ou entretien.

Silencieux



Ne jamais utiliser une machine dont le silencieux est défectueux.

Vérifier régulièrement la fixation du silencieux dans la machine. **(105)**

Certains silencieux sont munis d'une grille anti-flamme. Cette grille doit être nettoyée une fois par semaine si la machine en est équipée. Utiliser de préférence une brosse en acier. Un pare-étincelles colmaté risque de causer la surchauffe du moteur et de provoquer de sérieuses avaries du moteur.

Remarque! Remplacer la grille si elle est endommagée. Une grille encrassée cause une surchauffe du moteur, entraînant des détériorations au niveau du cylindre et du piston. Ne jamais se servir d'une machine dont le silencieux est endommagé. **Ne jamais utiliser un silencieux sans grille anti-flamme ou avec une grille anti-flamme défectueux. (13)**

Le silencieux est conçu pour atténuer le bruit et dévier le flux des gaz d'échappement loin de l'utilisateur. Ces gaz sont chauds et peuvent transporter des étincelles risquant de causer un incendie si elles entrent en contact avec un matériau sec et inflammable.

Lanceur



AVERTISSEMENT! Le ressort de rappel est tendu et risque, en cas de manipulation imprudente, de sortir du boîtier et de causer des blessures.

Observez la plus grande prudence lors du remplacement du ressort de démarrage ou de la corde de lanceur. Utilisez des lunettes et des gants de protection.

Remplacement de la corde du lanceur



- Déposer les vis maintenant le lanceur contre le carter moteur et sortir le lanceur. **(106)**
- Tirer la corde d'environ 30 cm et la sortir de la gorge à la périphérie de la poulie. Mettre à zéro le ressort de rappel en laissant tourner prudemment la poulie en arrière. **(107)**
- Desserrer la vis au centre de la poulie et retirer la roue entraîneuse (A), le ressort entraîneur (B) et la poulie (C). Installer et fixer une nouvelle corde sur la poulie. Enrouler la corde d'environ 3 tours sur la poulie. Monter la poulie contre le ressort de rappel (D) de telle sorte que l'extrémité du ressort s'accroche dans la poulie. Monter ensuite le ressort entraîneur, la roue entraîneuse et la vis au centre de la poulie. Passer la

ENTRETIEN

corde dans le trou du boîtier du lanceur et dans la poignée du lanceur. Faire un nœud robuste à l'extrémité de la corde. (108)

Mise sous tension du ressort

- Placer la corde dans la gorge de la poulie et faire tourner la poulie d'environ deux tours dans le sens des aiguilles d'une montre.

Remarque! Veiller à ce que la poulie puisse effectuer un demi-tour supplémentaire avec la corde entièrement déroulée. (109)

Tendre la corde avec la poignée. Retirer le pouce et relâcher la corde. Voir la figure ci-dessous. (110)

Remplacement d'un ressort entraîneur ou d'un ressort de rappel



Ressort de rappel (A)

- Sortir la poulie du lanceur. Voir au chapitre Remplacement de corde de lanceur rompue ou usée. Garder à l'esprit que le ressort de rappel se trouve à l'état tendu dans le boîtier du lanceur.
- Démonter la cassette avec le ressort de rappel hors du lanceur.
- Lubrifier le ressort de rappel avec de l'huile fluide. Monter la cassette avec le ressort de rappel dans le lanceur. Monter la poulie du lanceur et tendre le ressort de rappel.

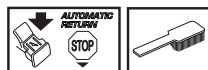
Ressort entraîneur (B)

- Desserrer la vis au centre de la poulie et retirer la roue entraîneuse et le ressort entraîneur.
- Remplacer le ressort entraîneur et monter la roue entraîneuse au dessus du ressort. (111)

Montage du lanceur

- Monter le lanceur en commençant par dévider la corde avant de mettre le lanceur en place contre le carter moteur. Lâcher ensuite la corde lentement pour permettre aux cliquets de s'enclencher dans la poulie.
- Mettre en place et serrer les vis de maintien du lanceur.

Filtre à air



Le filtre à air doit être maintenu propre pour éviter:

- Un mauvais fonctionnement du carburateur
- Des problèmes de démarrage
- Une perte de puissance
- Une usure prématurée des éléments du moteur.
- Une consommation anormalement élevée de carburant

- Pour déposer le filtre à air, commencer par retirer le capot du filtre. Lors du remontage, veiller à assurer une bonne étanchéité entre le filtre à air et son support. Nettoyer le filtre en le tapotant ou à l'aide d'une brosse. (112)

Pour un nettoyage plus sérieux, laver le filtre à l'eau savonneuse.

Un filtre ayant servi longtemps ne peut plus être complètement nettoyé. Le filtre à air doit donc être remplacé à intervalles réguliers. **Tout filtre endommagé doit être remplacé immédiatement.**

Une tronçonneuse HUSQVARNA peut être équipée de différents types de filtre à air suivant le lieu de travail, le temps qu'il fait, la saison, etc. Demandez conseil à votre revendeur.

Bougie



L'état de la bougie dépend de:

- L'exactitude du réglage du carburateur.
- Mauvais mélange de l'huile dans le carburant (trop d'huile ou huile inappropriée).
- La propreté du filtre à air.

Ces facteurs peuvent concourir à l'apparition de calamine sur les électrodes, ce qui à son tour entraîne un mauvais fonctionnement du moteur et des démarrages difficiles.

Si la puissance de la machine est trop faible, si la machine est difficile à mettre en marche ou si le ralenti est irrégulier, toujours commencer par contrôler l'état de la bougie avant de prendre d'autres mesures. Si la bougie est encrassée, la nettoyer et vérifier que l'écartement des électrodes est de 0,5 mm. Remplacer la bougie une fois par mois ou plus souvent si nécessaire. (113)

Remarque! Toujours utiliser le type de bougie recommandé! Une bougie incorrecte peut endommager le piston/le cylindre. S'assurer que la bougie est dotée d'un antiparasites.

Graissage du roulement à aiguilles



L'axe de sortie du tambour d'embrayage est doté d'un roulement à aiguilles. Ce roulement à aiguilles doit être graissé régulièrement.

Lors de la lubrification, les deux écrous du guide sont desserrés pour démonter le carter d'embrayage. Posez la tronçonneuse sur le côté avec le tambour d'embrayage vers le haut.

La lubrification est effectuée en versant des gouttes d'huile de moteur à côté du centre du tambour d'embrayage en rotation. (114)

ENTRETIEN

Système de refroidissement



La machine est équipée d'un système de refroidissement permettant d'obtenir une température de fonctionnement aussi basse que possible.

Le système de refroidissement est composé des éléments suivants:

- 1 La prise d'air dans le lanceur.
- 2 La tôle-guide d'air.
- 3 Les ailettes de ventilation sur le volant.
- 4 Les ailettes de refroidissement sur le cylindre.
- 5 Le carter de cylindre (dirige l'air de refroidissement vers le cylindre). **(115)**

Nettoyer le système de refroidissement avec une brosse une fois par semaine, voire plus souvent dans des conditions difficiles. Un système de refroidissement sale ou colmaté provoque la surchauffe de la machine, endommageant le cylindre et le piston.

Épuration centrifuge "Air Injection"

L'épuration centrifuge fonctionne comme suit: l'air d'alimentation du carburateur est admis à travers le lanceur. Les impuretés sont éjectées par la force centrifuge générée par le ventilateur. **(116)**

IMPORTANT! L'épuration centrifuge exige un entretien correct et continu de la machine. Nettoyer la prise d'air du lanceur, les ailettes du ventilateur, le compartiment du volant, le tuyau d'admission et le compartiment du carburateur.

Utilisation hivernale

Lors de l'utilisation par temps froid et en neige poudreuse, des troubles de fonctionnement peuvent apparaître, dus à:

- Un moteur trop froid.
- Le givrage du filtre à air et du carburateur.

Prendre les dispositions suivantes:

- Diminuer partiellement l'admission d'air afin d'augmenter la température du moteur.

Température de -5°C ou moins:



Un cache spécial à monter sur le boîtier du lanceur est disponible pour l'utilisation par temps froid ou en neige poudreuse. Ce cache réduit la quantité d'air froid admise tout en arrêtant la majeure partie de la neige qui pourrait être aspirée. **(117)**

REMARQUE! Si le kit spécial hiver est utilisé ou si des mesures sont prises pour augmenter la température, il convient de revenir au réglage normal, dans la mesure où la machine est alors utilisée dans des conditions de températures normales. Sinon il y a risque de surchauffe avec pour conséquence de graves dommages au moteur.

IMPORTANT! Tout entretien autre que celui indiqué dans ce manuel doit être effectué par un réparateur qualifié (concessionnaire).

ENTRETIEN

Schéma d'entretien

La liste ci-dessous indique l'entretien à effectuer sur la machine. La plupart des points sont décrits à la section Entretien.

Entretien quotidien	Entretien hebdomadaire	Entretien mensuel
Nettoyer l'extérieur de la machine.	Contrôlez le système de refroidissement chaque semaine.	Inspectez le degré d'usure du ruban de freinage du frein de chaîne. Remplacez-le quand les parties les plus usées sont inférieures à 0,6 mm.
Vérifier que les composants de la commande de l'accélération fonctionnent correctement en ce qui concerne la sécurité. (Blocage de l'accélération et commande de l'accélération.)	Contrôlez le lanceur, la corde de lanceur et le ressort de rappel.	Inspecter le degré d'usure du moyeu, du tambour d'embrayage et du ressort d'embrayage.
Nettoyer le frein de chaîne et en contrôler le bon fonctionnement. S'assurer que le capteur de chaîne est en bon état, le remplacer si nécessaire.	S'assurer que les éléments anti-vibrations ne sont pas endommagés.	Nettoyer la bougie. Vérifier l'écartement des électrodes (0,5 mm).
Retourner régulièrement le guide-chaîne pour répartir l'usure. Contrôler que le trou de graissage du guide n'est pas obturé. Nettoyer la gorge de la chaîne.	Graisser le roulement du tambour d'embrayage.	Nettoyer l'extérieur du carburateur.
S'assurer que le guide et la chaîne sont correctement alimentés en huile.	Limer les bavures éventuelles sur les côtés du guide-chaîne.	Contrôler le filtre à carburant et le tuyau à carburant. Remplacer au besoin.
Vérifier que les rivets et les maillons de la chaîne sont dépourvus de fissures, que la chaîne n'est pas raide et que les rivets et les maillons ne sont pas anormalement usés. Remplacer au besoin.	Nettoyer ou remplacer la grille antiflamme du silencieux.	Vider le réservoir de carburant et le nettoyer à l'intérieur.
Affûter la chaîne et en contrôler la tension et l'état général. Examiner le pignon d'entraînement de la chaîne et le remplacer s'il est usé.	Nettoyer le compartiment du carburateur.	Vider le réservoir d'huile et le nettoyer à l'intérieur.
Nettoyer la prise d'air du lanceur.	Nettoyer le filtre à air. Le remplacer si nécessaire.	Inspecter tous les câbles et connexions.
S'assurer que toutes les vis et tous les écrous sont bien serrés.		
Contrôler le bon fonctionnement du contacteur d'arrêt.		
Vérifier qu'il n'y a pas de fuite de carburant du moteur, du réservoir ou des conduits de carburant.		
Vérifiez que la chaîne ne tourne pas lorsque le moteur est au ralenti.		

CARACTÉRISTIQUES TECHNIQUES

Caractéristiques techniques

	435 II	435e II	440 II	440e II
Moteur				
Cylindrée, cm ³	40,9	40,9	40,9	40,9
Alésage, mm	41	41	41	41
Course, mm	31	31	31	31
Régime de ralenti, tr/min	2900	2900	2900	2900
Puissance, kW/tr/min	1,6/9000	1,6/9000	1,8/9000	1,8/9000
Système d'allumage				
Bougie	NGK BPMR 7A/ Champion RCJ 7Y	NGK BPMR 7A/ Champion RCJ 7Y	NGK BPMR 7A/ Champion RCJ 7Y	NGK BPMR 7A/ Champion RCJ 7Y
Écartement des électrodes, mm	0,5	0,5	0,5	0,5
Système de graissage/de carburant				
Contenance du réservoir de carburant, litres	0,37	0,37	0,37	0,37
Débit de la pompe à huile à 9000 tr/min, ml/min	13	13	13	13
Contenance du réservoir d'huile, litres	0,25	0,25	0,25	0,25
Type de pompe à huile	Automatique	Automatique	Automatique	Automatique
Poids				
Tronçonneuse sans guide, ni chaîne et avec réservoirs vides, kg	4,2	4,4	4,2	4,4
Émissions sonores (voir remarque 1)				
Niveau de puissance sonore mesuré dB(A)	112	112	113	113
Niveau de puissance sonore garanti L _{WA} dB(A)	114	114	114	114
Niveaux sonores (voir remarque 2)				
Niveau de pression sonore équivalent au niveau de l'oreille de l'utilisateur, dB(A)	102	102	102	102
Niveaux de vibrations équivalents, a_{hveq} (voir remarque 3)				
Poignée avant, m/s ²	2,5	2,5	2,5	2,5
Poignée arrière, m/s ²	3,2	3,2	3,2	3,2
Chaîne/guide-chaîne				
Longueur de guide standard, pouces/cm	13"/33	13"/33	13/33	13"/33
Longueurs de guide recommandées, pouces/cm	13-18/33-45	13-18/33-45	13-18/33-45	13-18/33-45
Longueur de coupe effective, pouces/cm	12-17/31-43	12-17/31-43	12-17/31-43	12-17/31-43
Pas, pouces/mm	0,325/8,25	0,325/8,25	0,325/8,25	0,325/8,25
Épaisseur au maillon d'entraînement, pouces/mm	0,050/1,3	0,050/1,3	0,050/1,3	0,050/1,3
Type de roue d'entraînement/nombre de dents	Spur/7	Spur/7	Spur/7	Spur/7
Vitesse de la chaîne à 133 % du régime du moteur maximum, m/s.	23,1	23,1	23,1	23,1

Remarque 1 : émission sonore dans l'environnement mesurée comme puissance acoustique (L_{WA}) selon la directive UE 2000/14/CE.

Remarque 2 : Le niveau de pression sonore équivalent, selon ISO 22868, correspond à la somme d'énergie pondérée pour divers niveaux de pression sonore à différents régimes. La dispersion statistique typique pour le niveau de pression sonore équivalent se traduit par une déviation standard de 1 dB (A).

Remarque 3 : Le niveau de vibrations équivalent, selon ISO 22867, correspond à la somme d'énergie pondérée pour les niveaux de vibrations à différents régimes. Les données reportées pour le niveau de vibrations équivalent montrent une dispersion statistique typique (déviations standard) de 1 m/s².


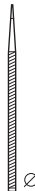
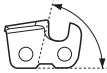


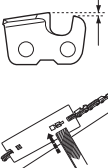
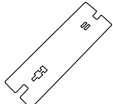
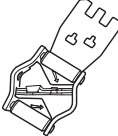
CARACTÉRISTIQUES TECHNIQUES

Combinaisons guide-chaîne et chaîne

Les équipements de coupe suivants sont homologués pour les modèles Husqvarna 435 II, 435e II, 440 II et 440e II.

Guide-chaîne				Chaîne	
Longueur, pouces	Pas, pouces	Largeur de rainure, mm	Nombre max. de dents, pignon avant	Type	Longueur, maillons entraîneurs (pce)
13	0,325	1,3	10T	Husqvarna H30	56
15					64
16					66
18					72

Affûtage de la chaîne et gabarits d'affûtage

							
	inch/mm				inch/mm		
H30	3/16 / 4,8	85°	30°	10°	0,025 / 0,65	5056981-00	5056981-08

Déclaration CE de conformité (Concerne seulement l'Europe)

Nous, **Husqvarna AB**, SE-561 82 Huskvarna, Suède, tél: +46-36-146500, déclarons, sous notre seule responsabilité, que les tronçonneuses pour l'administration de forêts **Husqvarna 435 II, 435e II, 440 II et 440e II** à partir des numéros de série de l'année de fabrication 2013 et ultérieurement (l'année est indiquée en clair sur la plaque d'identification et suivie d'un numéro de série) sont conformes aux dispositions des DIRECTIVES DU CONSEIL:

- du 17 mai 2006 "directive machines" **2006/42/CE**.
- du 15 décembre 2004 "compatibilité électromagnétique" **2004/108/CE**.
- du 8 mai 2000 "émissions sonores dans l'environnement" **2000/14/CE**.

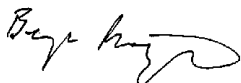
Pour des informations sur les émissions sonores, voir le chapitre Caractéristiques techniques. Les normes harmonisées suivantes ont été appliquées: **EN ISO 12100:2010, ISO 14982:2009, EN ISO 11681-1:2011**

L'organisme notifié: **0404, SMP Svensk Maskinprovning AB**, Box 7035, SE-750 07 Uppsala, Suède, a procédé à des tests de type européen suivant l'article 12, paragraphe 3b de la directive machines (2006/42/CE). Les certificats de contrôle de type UE selon l'annexe IX ont les numéros: **0404/09/2012** - 435 II, 435e II, 440 II, 440e II.

De plus, SMP, Svensk Maskinprovning AB, Box 7035, SE-750 07 Uppsala, Suède, a confirmé la conformité avec l'annexe V de la Directive du Conseil du 8 mai 2000 relative aux "émissions sonores dans l'environnement" 2000/14/CE. Les certificats ont les numéros: **01/161/075** - 435 II, 435e II, **01/161/074** - 440 II, 440e II.

La tronçonneuse livrée est conforme à l'exemplaire ayant subi le test de type européen.

Husqvarna, le 8 avril 2013



Bengt Frögelius, Directeur du développement Tronçonneuse (Représentant autorisé d'Husqvarna AB et responsable de la documentation technique.)

SYMBOLERKLÄRUNG

Symbole am Gerät:

WARNUNG! Motorsägen können gefährlich sein! Durch unsachgemäße oder nachlässige Handhabung können schwere Verletzungen oder sogar tödliche Unfälle von Anwendern oder anderen Personen verursacht werden. Lesen Sie die Bedienungsanweisung sorgfältig durch und machen Sie sich mit dem Inhalt vertraut, bevor Sie das Gerät benutzen.

Benutzen Sie immer:

- Einen zugelassenen Schutzhelm
- Einen zugelassenen Gehörschutz
- Schutzbrille oder Visier

Dieses Produkt stimmt mit den geltenden CE-Richtlinien überein.

Umweltbelastende Geräuschemissionen gemäß der Richtlinie der Europäischen Gemeinschaft. Die Emission des Gerätes ist im Kapitel Technische Daten und auf dem Geräteschild angegeben.

Zündanlage; Choke: Choker in Chokestellung bringen. Der Stoppschalter muss dabei automatisch in Startstellung wechseln.

Tanken.

Befüllung mit Sägekettenöl.

Kraftstoffpumpe.

Einstellen der Ölpumpe.

Kettenbremse, aktiviert (rechts)
Kettenbremse, nicht aktiviert (links)



Symbole in der Bedienungsanweisung:

Kontrollen und/oder Wartungsmaßnahmen sind mit abgeschaltetem Motor durchzuführen. ACHTUNG! Der Start/Stoppschalter geht automatisch in die Betriebsposition zurück. Um ein ungewolltes Starten zu vermeiden, muss bei Montage, Kontrolle und/oder Wartung daher stets die Zündkappe von der Zündkerze entfernt werden.

Stets zugelassene Schutzhandschuhe tragen.

Regelmäßige Reinigung ist notwendig.

Visuelle Kontrolle.

Schutzbrille oder Gesichtsschutz müssen benutzt werden.

Tanken.

Nachfüllen von Öl und Einstellen des Ölflusses.

Die Kettenbremse soll eingeschaltet sein, wenn die Motorsäge gestartet wird.

WARNUNG! Sollte die Führungsschienenspitze einen Gegenstand berühren, kann dies zu einem Rückschlag führen, sodass die Schiene nach oben und zurück zum Bediener geschleudert wird. Schwere Verletzungen können die Folge sein.



Inhalt

SYMBOLERKLÄRUNG

Symbole am Gerät:	161
Symbole in der Bedienungsanweisung:	161

INHALT

Inhalt	162
--------------	-----

EINLEITUNG

Sehr geehrter Kunde!	163
----------------------------	-----

WAS IST WAS?

Was ist was an der Motorsäge?	163
-------------------------------------	-----

ALLGEMEINE SICHERHEITSVORSCHRIFTEN

Maßnahmen vor der Benutzung einer neuen Motorsäge	164
Wichtig	165
Stets mit gesundem Menschenverstand arbeiten!	165
Persönliche Schutzausrüstung	165
Sicherheitsausrüstung des Gerätes	166
Schneidausrüstung	168

MONTAGE

Montage von Schiene und Kette	172
-------------------------------------	-----

UMGANG MIT KRAFTSTOFF

Kraftstoff	173
Tanken	174
Sicherer Umgang mit Kraftstoff	174

STARTEN UND STOPPEN

Starten und stoppen	175
---------------------------	-----

ARBEITSTECHNIK

Vor jeder Anwendung:	177
Allgemeine Arbeitsvorschriften	177
Vorbeugende Maßnahmen gegen Rückschlag	181

WARTUNG

Allgemeines	182
Vergasereinstellung	182
Kontrolle, Wartung und Service der Sicherheitsausrüstung der Motorsäge	182
Schalldämpfer	183
Startvorrichtung	183
Luftfilter	184
Zündkerze	184
Schmierung des Nadellagers	184
Kühlsystem	185
Zentrifugalreinigung "Air Injection"	185
Benutzung im Winter	185
Wartungsschema	186

TECHNISCHE DATEN

Technische Daten	187
Führungsschienen- und Kettenkombinationen	188
Feilen und Schärflerhaken der Sägekette	188
EG-Konformitätserklärung	188

EINLEITUNG

Sehr geehrter Kunde!

Herzlichen Glückwunsch zu Ihrem Kauf eines Husqvarna-Produkts! Husqvarnas Geschichte reicht bis ins Jahr 1689 zurück, als König Karl XI eine Fabrik an den Ufern des Flusses Huskvarna errichten ließ, in der Musketen gefertigt werden sollten. Die Lage am Huskvarna bot sich an, da der Fluss zur Erzeugung von Wasserkraft verwendet wurde und so als Wasserkraftwerk diente. In den mehr als 300 Jahren seit dem Bestehen des Husqvarna-Werks wurden unzählige Produkte hergestellt, angefangen von Holzöfen bis hin zu modernen Küchenmaschinen, Nähmaschinen, Fahr- und Motorrädern usw. 1956 wurde der erste Motorrasenmäher auf den Markt gebracht, gefolgt von der Motorsäge 1959, und in diesem Bereich ist Husqvarnas auch heute tätig.

Husqvarna ist gegenwärtig einer der weltführenden Hersteller von Forst- und Gartenmaschinen und legt vor allem Wert auf Qualität und Leistungskraft. Das Unternehmenskonzept umfasst die Entwicklung, Herstellung und den Vertrieb von Produkten für den Einsatz in Wald und Garten sowie in der Bauindustrie. Husqvarnas Ziel ist es, auch in den Bereichen Ergonomie, Benutzerfreundlichkeit, Sicherheit und Umwelt führend zu sein – dies lässt sich an vielen Details erkennen, die aus diesen Gesichtspunkten heraus entwickelt wurden.

Wir sind überzeugt, dass Sie mit der Qualität und Leistung unserer Produkte über lange Jahre mehr als zufrieden sein werden. Mit dem Erwerb unserer Produkte erhalten Sie professionelle Hilfe bei Reparaturen und Service, falls doch einmal etwas passieren sollte. Haben Sie die Maschine nicht bei einem unserer Vertragshändler gekauft, fragen Sie dort nach der nächsten Servicewerkstatt.

Wir hoffen, dass Sie mit Ihrer Maschine über lange Jahre zufrieden sein werden. Denken Sie daran, diese Bedienungsanleitung sicher aufzubewahren. Die genaue Befolgung ihres Inhalts (Verwendung, Service, Wartung usw.) verlängert die Lebensdauer der Maschine erheblich und erhöht zudem ihren Wiederverkaufswert. Sollten Sie Ihre Maschine verkaufen, händigen Sie dem neuen Besitzer bitte auch die Bedienungsanleitung aus.

Vielen Dank, dass Sie sich für ein Husqvarna-Produkt entschieden haben.

Die Husqvarna AB arbeitet ständig an der Weiterentwicklung ihrer Produkte und behält sich daher das Recht auf Änderungen ohne vorherige Ankündigung, z. B. von Form und Aussehen, vor.

Was ist was an der Motorsäge? (1)

- 1 Zylinderdeckel
- 2 Kraftstoffpumpe.
- 3 Starterinnerung
- 4 Kombiniertes Start- und Stoppschalter
- 5 Hinterer Handgriff
- 6 Informations- und Warnschild
- 7 Kraftstofftank
- 8 Stellschraube Vergaser
- 9 Starthandgriff
- 10 Startvorrichtung
- 11 Kettenöltank
- 12 Produkt- und Seriennummernschild
- 13 Fallrichtungsmarkierung
- 14 Vorderer Handgriff
- 15 Handschutz
- 16 Schalldämpfer
- 17 Sägekette
- 18 Umlenkstern
- 19 Führungsschiene
- 20 Rindenstütze
- 21 Kettenfänger
- 22 Kettenspannschraube (435 II, 440 II)
- 23 Kupplungsdeckel (435 II, 440 II)
- 24 Rechtshandschutz
- 25 Gashebel
- 26 Gashebelsperre
- 27 Kupplungsdeckel (435e II, 440e II)
- 28 Kettenspannrolle
- 29 Knauf
- 30 Bedienungsanleitung
- 31 Kombischlüssel
- 32 Führungsschienenschutz

ALLGEMEINE SICHERHEITSVORSCHRIFTEN

Maßnahmen vor der Benutzung einer neuen Motorsäge

- Die Bedienungsanleitung aufmerksam durchlesen.
- (1)–(117) verweisen auf Illustrationen auf S. 2–6.
- Montage und Einstellung der Schneidausrüstung kontrollieren. Siehe die Anweisungen unter der Überschrift Montage.
- Tanken und die Motorsäge starten. Siehe die Anweisungen unter den Überschriften Umgang mit Kraftstoff sowie Starten und Stoppen.
- Die Motorsäge nicht benutzen, bevor die Sägekette ausreichend Öl erhalten hat. Siehe die Anweisungen unter der Überschrift Schneidausrüstung.
- Eine längerfristige Beschallung mit Lärm kann zu bleibenden Gehörschäden führen. Daher stets einen zugelassenen Gehörschutz tragen.



WARNUNG! Unter keinen Umständen darf die ursprüngliche Konstruktion des Gerätes ohne Genehmigung des Herstellers geändert werden. Es ist immer Originalzubehör zu verwenden. Unzulässige Änderungen und/oder unzulässiges Zubehör können zu schweren oder sogar tödlichen Verletzungen des Anwenders oder anderer Personen führen.



WARNUNG! Eine Motorsäge, die falsch oder nachlässig benutzt wird, ist ein gefährliches Gerät, das schwere und sogar tödliche Verletzungen verursachen kann. Es ist deshalb von größter Wichtigkeit, dass diese Bedienungsanweisung aufmerksam durchgelesen und verstanden wird.



WARNUNG! Der Schalldämpfer enthält Chemikalien, die karzinogen sein können. Falls der Schalldämpfer beschädigt wird, vermeiden Sie es, mit diesen Stoffen in Berührung zu kommen.



WARNUNG! Das Einatmen der Motorabgase, des Kettenölnebels und des Staubs von Sägespänen über längere Zeit kann eine Gefahr für die Gesundheit darstellen.



WARNUNG! Diese Maschine erzeugt beim Betrieb ein elektromagnetisches Feld. Dieses Feld kann sich unter bestimmten Bedingungen auf die Funktionsweise aktiver oder passiver medizinischer Implantate auswirken. Um die Gefahr für schwere oder tödliche Verletzungen auszuschließen, sollten Personen mit einem medizinischen Implantat vor der Nutzung dieser Maschine ihren Arzt und den Hersteller des Implantats konsultieren.



WARNUNG! Niemals Kindern erlauben, das Gerät zu benutzen oder sich in seiner Nähe aufzuhalten. Da das Gerät mit einem rückfedernden Stoppschalter ausgerüstet ist und mit geringer Geschwindigkeit und Kraft am Starthandgriff gestartet werden kann, können u. U. auch kleine Kinder die Kraft aufbringen, die zum Starten erforderlich ist. Dies kann zu schweren Verletzungen führen. Daher ist stets die Zündkappe zu entfernen, wenn das Gerät ohne Aufsicht ist.

ALLGEMEINE SICHERHEITSVORSCHRIFTEN

Wichtig

WICHTIG!

Diese Motorsäge wurde für forsttechnische Anwendungen wie Fällen, Entasten und Sägen entwickelt.

Die Benutzung der Maschine kann durch nationale Vorschriften eingeschränkt werden.

Nur die Kombinationen von Führungsschiene und Sägekette verwenden, die wir im Kapitel Technische Daten empfehlen.

Niemals das Gerät verwenden, wenn Sie müde sind, Alkohol getrunken oder Medikamente eingenommen haben, die Ihre Sehkraft, Urteilsvermögen oder Körperkontrolle beeinträchtigen können.

Tragen Sie persönliche Schutzausrüstung. Siehe die Anweisungen unter der Überschrift "Persönliche Schutzausrüstung".

Das Gerät nicht so modifizieren, dass es nicht länger mit der Originalausführung übereinstimmt, und nicht benutzen, wenn es scheinbar von anderen modifiziert wurde.

Niemals mit einem defekten Gerät arbeiten. Die Kontroll-, Wartungs- und Serviceanweisungen in dieser Bedienungsanweisung sind genau zu befolgen. Gewisse Wartungs- und Servicemaßnahmen sind von geschulten, qualifizierten Fachleuten auszuführen. Siehe Anweisungen unter dem Titel Wartung.

Nur Zubehörteile verwenden, die in dieser Bedienungsanweisung empfohlen werden. Siehe die Anweisungen unter den Überschriften Schneidausrüstung und Technische Daten.

ACHTUNG! Stets eine Schutzbrille oder einen Gesichtsschutz tragen, um die von weggeschleuderten Gegenständen ausgehende Gefahr zu reduzieren. Eine Motorsäge kann Gegenstände wie Sägespäne, Holzstückchen usw. mit großer Kraft wegschleudern. Schwere Verletzungen, besonders an den Augen, können die Folge sein.



WARNUNG! Einen Motor in einem geschlossenen oder schlecht belüfteten Raum laufen zu lassen, kann zum Tod durch Ersticken oder Kohlenmonoxidvergiftung führen.



WARNUNG! Eine falsche Schneidausrüstung oder eine falsche Schienen/Kettenkombination erhöhen die Rückschlaggefahr! Nur die Kombinationen von Führungsschiene und Sägekette verwenden, die wir im Kapitel Technische Daten empfehlen, und die Feilanweisungen befolgen. Siehe die Anweisungen unter der Überschrift Technische Daten.

Stets mit gesundem Menschenverstand arbeiten! (2)

Es ist unmöglich, hier alle denkbaren Situationen zu beschreiben, die beim Gebrauch der Motorsäge auftreten könnten. Stets vorsichtig vorgehen und mit gesundem Menschenverstand arbeiten. Vermeiden Sie Situationen, denen Sie sich nicht gewachsen fühlen. Wenn Sie sich nach dem Lesen dieser Anweisungen immer noch unsicher fühlen, wie Sie vorgehen sollen, bitten Sie einen Fachmann um Rat, bevor Sie fortfahren. Zögern Sie nicht, Ihren Händler oder uns anzusprechen, wenn Sie Fragen bezüglich dem Gebrauch der Motorsäge haben. Wir sind gerne für Sie da und helfen Ihnen beim optimalen und sicheren Einsatz Ihrer Motorsäge. Auch ein Kurs zum Thema Anwendung der Motorsäge kann hilfreich sein. Händler, Forstfachschulen oder Bibliotheken informieren Sie über verfügbares Weiterbildungsmaterial und das Kursangebot. Wir arbeiten ständig an der Verbesserung von Konstruktion und Technik, um Ihre Sicherheit und die Effektivität des Geräts zu optimieren. Schauen Sie regelmäßig bei Ihrem Händler vorbei, so bleiben Sie über für Sie nützliche Neuerungen auf dem Laufenden.

Persönliche Schutzausrüstung



WARNUNG! Die Mehrzahl der Unfälle mit Motorsägen passiert, wenn die Sägekette den Anwender trifft. Bei der Benutzung des Gerätes muss die vorgeschriebene persönliche Schutzausrüstung angewendet werden. Die persönliche Schutzausrüstung beseitigt nicht die Unfallgefahr, begrenzt aber den Umfang der Verletzungen und Schäden. Bei der Wahl der Schutzausrüstung einen Fachhändler um Rat fragen.

- Einen zugelassenen Schutzhelm
- Gehörschutz
- Schutzbrille oder Visier
- Handschuhe mit Schnitenschutz
- Hosen mit Sägeschutz
- Stiefel mit Schnitenschutz, Stahlkappe und rutschfester Sohle
- Ein Erste-Hilfe-Set soll immer griffbereit sein.
- Feuerlöscher und Spaten

Die übrige Arbeitskleidung sollte dicht anliegen, ohne die Bewegungsfreiheit zu begrenzen.

WICHTIG! Von Schalldämpfer, Führungsschiene und Kette oder anderen Quellen können Funken kommen. Stets eine Feuerlöschsaurüstung in Reichweite haben, falls es erforderlich sein sollte. Auf diese Weise tragen Sie zur Verhinderung von Waldbränden bei.

ALLGEMEINE SICHERHEITSVORSCHRIFTEN

Sicherheitsausrüstung des Gerätes

Dieser Abschnitt beschreibt die Sicherheitskomponenten der Maschine und ihre Funktion. Kontrolle und Wartung werden unter der Überschrift Kontrolle, Wartung und Service der Sicherheitsausrüstung der Motorsäge erläutert. Die Position dieser Komponenten ist unter der Überschrift Was ist was? gelistet.

Die Lebensdauer der Maschine kann verkürzt werden und die Unfallgefahr kann steigen, wenn die Wartung der Maschine nicht ordnungsgemäß und Service und/oder Reparaturen nicht fachmännisch ausgeführt werden. Weitere Informationen erteilt Ihnen gerne die nächste Servicewerkstatt.



WARNUNG! Niemals ein Gerät mit defekter Sicherheitsausrüstung verwenden. Die Sicherheitsausrüstung muss überprüft und gewartet werden. Siehe die Anweisungen unter der Überschrift Kontrolle, Wartung und Service der Sicherheitsausrüstung der Motorsäge. Finden sich Mängel bei der Kontrolle des Geräts, ist eine Servicewerkstatt zur Reparatur aufzusuchen.

Kettenbremse mit Handschutz

Ihre Motorsäge ist mit einer Kettenbremse versehen, die die Sägekette beim Rückschlag stoppt. Eine Kettenbremse reduziert die Gefahr für Unfälle, doch es sind ausschließlich Sie als Bediener, der sie verhindern kann. (3)

Vorsichtig arbeiten und dafür sorgen, dass der Rückschlagbereich der Führungsschiene nicht mit einem Gegenstand in Berührung kommt. (4)

- Die Kettenbremse (A) wird entweder manuell (mit der linken Hand) oder mit der Trägheitsfunktion aktiviert. (5)
- Die Kettenbremse wird betätigt, wenn der Handschutz (B) nach vorn geführt wird. (5)
- Diese Bewegung betätigt einen federgespannten Mechanismus, der das Bremsband (C) um das Kettenantriebssystem (D) des Motors spannt (Kupplungstrommel). (6)
- Der Handschutz wurde nicht nur konstruiert, um die Kettenbremse zu betätigen. Er soll auch verhindern, dass die linke Hand von der Sägekette getroffen wird, wenn der Anwender die Kontrolle über den linken Handgriff verliert.
- Beim Starten der Motorsäge muss die Kettenbremse eingeschaltet sein, um das Rotieren der Kette zu verhindern. (55)
- Die Kettenbremse als Feststellbremse beim Starten sowie bei kürzeren Transporten verwenden, so wird verhindert, dass Bediener oder die Umgebung

unfreiwillig in Kontakt mit der sich bewegenden Sägekette und womöglich zu Schaden kommen. Die Motorsäge nicht über längere Zeit mit aktivierter Kettenbremse eingeschaltet lassen. Die Motorsäge kann sehr heiß werden.

- Die Kettenbremse wird gelöst, indem der mit „PULL BACK TO RESET“ gekennzeichnete Rückschlagschutz nach hinten gezogen wird (zum vorderen Handgriff hin).
- Rückschläge können blitzschnell und mit großer Kraft auftreten. Die meisten Rückschläge sind von geringer Kraft und bewirken nicht immer ein Auslösen der Kettenbremse. Bei solchen Rückschlägen muss die Motorsäge mit festem Griff gehalten und darf nicht losgelassen werden.
- Wie die Kettenbremse ausgelöst wird, ob manuell oder durch die Trägheitsfunktion, hängt davon ab, wie kräftig der Rückschlag ist und in welcher Stellung sich die Motorsäge im Verhältnis zu dem Gegenstand befindet, der mit dem Rückschlagbereich in Berührung kommt.

Bei heftigen Rückschlägen und wenn sich der Rückschlaggefahrsektor der Führungsschiene so weit wie möglich vom Bediener weg befindet, ist die Kettenbremse so konstruiert, dass sie über das Gegengewicht der Kettenbremse (Trägheit) in Rückschlagrichtung aktiviert wird. (7)

Bei weniger kräftigen Rückschlägen oder wenn sich der Rückschlagbereich in der Nähe des Anwenders befindet, wird die Kettenbremse mit der linken Hand manuell betätigt.

- In der Fällposition befindet sich die linke Hand in einer Position, die die manuelle Aktivierung der Kettenbremse unmöglich macht. Bei diesen Griffen, d. h. wenn die linke Hand so platziert ist, dass sie die Bewegung des Rückschlagschutzes nicht beeinflussen kann, lässt sich die Kettenbremse nur über die Trägheitsfunktion aktivieren. (8)

Wird meine Hand die Kettenbremse beim Rückschlag stets aktivieren?

Nein. Es ist eine bestimmte Kraft erforderlich, um den Rückschlagschutz nach vorne zu führen. Wenn Ihre Hand den Rückschlagschutz nur leicht berührt oder darüber gleitet, kann es sein, dass die Kraft nicht ausreicht, um die Kettenbremse auszulösen. Auch bei der Arbeit ist der Griff der Motorsäge fest zu umfassen. Wenn Sie dies tun und ein Rückschlag auftritt, lassen Sie vielleicht nicht den vorderen Griff los und aktivieren nicht die Kettenbremse, oder die Kettenbremse wird erst aktiviert, wenn sich die Säge bereits ein Stück gedreht hat. In einer solchen Situation kann es vorkommen, dass die Kettenbremse es nicht schafft, die Kette anzuhalten, bevor sie Sie trifft.

Auch bestimmte Arbeitsstellungen können es unmöglich machen, dass Ihre Hand den Rückschlagschutz erreicht, um die Kettenbremse zu aktivieren, z. B. wenn die Säge in der Fällposition gehalten wird.

ALLGEMEINE SICHERHEITSVORSCHRIFTEN

Wird die Trägheitsfunktion der Kettenbremse stets aktiviert, wenn ein Rückschlag eintrifft?

Nein. Zum einen muss Ihre Bremse funktionieren. Die Bremse lässt sich leicht testen, siehe die Anweisungen unter der Überschrift Kontrolle, Wartung und Service der Sicherheitsausrüstung der Motorsäge. Wir empfehlen diesen Test zu Beginn jedes Arbeitstags. Zum anderen muss der Rückschlag stark genug sein, um die Kettenbremse zu aktivieren. Eine zu empfindliche Kettenbremse würde ständig aktiviert werden, was sich störend auswirken würde.

Wird mich die Kettenbremse im Fall von Rückschlag stets vor Verletzungen schützen?

Nein. Zum einen muss Ihre Bremse funktionieren, damit die Schutzfunktion gewährt ist. Zum anderen muss sie wie oben beschrieben aktiviert werden, um die Sägekette beim Rückschlag zu stoppen. Und zum dritten kann die Kettenbremse aktiviert werden, doch wenn sich die Führungsschiene zu nahe bei Ihnen befindet, kann es passieren, dass die Bremse nicht mehr verlangsamt und die Kette stoppen kann, bevor die Motorsäge Sie trifft.

Nur Sie selbst und eine vorschriftsmäßige Arbeitstechnik können den Rückschlag und seine Risiken ausschalten.

Gashebelsperre

Die Gashebelsperre wurde konstruiert, um eine unbeabsichtigte Aktivierung des Gashebels zu verhindern. Wenn die Sperre (A) in den Handgriff gedrückt wird (= beim Umfassen des Handgriffs), wird der Gashebel (B) freigegeben. Wenn der Handgriff losgelassen wird, gehen sowohl Gashebel als auch Gashebelsperre in ihre jeweiligen Ausgangspositionen zurück. Diese Stellung bedeutet, dass der Gashebel automatisch im Leerlauf gesperrt wird. (9)

Kettenfänger

Der Kettenfänger soll eine abgesprungene oder gerissene Kette auffangen. Eine solche Situation kann in den meisten Fällen durch eine korrekte Kettenspannung (siehe die Anweisungen unter der Überschrift Montage) und durch eine regelmäßige Wartung der Führungsschiene und Kette verhindert werden (siehe die Anweisungen unter der Überschrift Allgemeine Arbeitsvorschriften). (10)

Rechtshandschutz

Der Rechtshandschutz soll die Hand nicht nur schützen, wenn die Kette abspringt oder reißt, sondern auch sicherstellen, dass Äste und Zweige nicht den Griff um den hinteren Handgriff beeinflussen. (11)

Antivibrationssystem

Das Gerät ist mit einem Antivibrationssystem ausgerüstet, das die Vibrationen wirkungsvoll dämpft und so für angenehmere Arbeitsbedingungen sorgt.

Das Antivibrationssystem reduziert die Übertragung von Vibrationen zwischen Motoreinheit/Schneidausrüstung und dem Handgriffsystem des Gerätes. Der Motorsägenkörper inkl. Schneidausrüstung ist mit sog. Antivibrationselementen im Handgriffsystem aufgehängt.

Das Sägen in einer harten Holzart (meist Laubbäume) verursacht mehr Vibrationen als das Sägen in weichem Holz (meist Nadelbäume). Durch das Sägen mit einer falschen, ungeschärften oder falsch geschärften Schneidausrüstung werden die Vibrationen erhöht.



WARNUNG! Personen mit Blutkreislaufstörungen, die zu oft Vibrationen ausgesetzt werden, laufen Gefahr, Schäden an den Blutgefäßen oder am Nervensystem davonzutragen. Gehen Sie zum Arzt, wenn Sie an Ihrem Körper Symptome feststellen, die darauf hinweisen, dass Sie übermäßigen Vibrationen ausgesetzt waren. Beispiele für solche Symptome sind: Einschlafen von Körperteilen, Gefühlsverlust, Jucken, Stechen, Schmerzen, Verlust oder Beeinträchtigung der normalen Körperkraft, Veränderungen der Hautfarbe oder der Haut. Diese Symptome treten üblicherweise in Fingern, Händen und Handgelenken auf. Bei niedrigen Temperaturen können sich diese Symptome verstärken.

Stopschalter

Mit dem Stopschalter wird der Motor abgestellt. (12)

Schalldämpfer

Der Schalldämpfer soll den Geräuschpegel so weit wie möglich senken und die Abgase des Motors vom Anwender fernhalten.



WARNUNG! Die Motorabgase sind heiß und können Funken enthalten, die einen Brand verursachen können. Aus diesem Grunde sollte das Gerät niemals im Innenbereich oder in der Nähe von feuergefährlichen Stoffen gestartet werden!

In Gebieten mit warmem, trockenem Klima besteht erhöhte Brandgefahr. Gesetze und Vorschriften in diesen Gebieten verlangen möglicherweise, dass der Schalldämpfer u. a. mit einem zugelassenen Funkenfängernetz versehen sein muss. (13)

Gitter in der richtigen Position einsetzen. Gegebenenfalls zum Einsetzen oder Entfernen des Gitters Ringmaulschlüssel verwenden.

ALLGEMEINE SICHERHEITSVORSCHRIFTEN

ACHTUNG! Der Schalldämpfer ist beim Betrieb und auch noch nach dem Ausschalten sehr heiß. Dies gilt auch für den Leerlauf. Die Brandgefahr beachten, besonders wenn sich feuergefährliche Stoffe und/oder Gase in der Nähe befinden.



WARNUNG! Motorsägen niemals ohne oder mit defektem Schalldämpfer benutzen. Ein defekter Schalldämpfer kann Geräuschpegel und Feuergefahr erheblich steigern. Stets eine Feuerlösch-ausrüstung in Reichweite haben. Motorsägen niemals ohne oder mit defektem Funkenfängernetz benutzen, wenn das Netz in Ihrem Arbeitsgebiet vorgeschrieben ist.

Rückschlag reduzierende Schneidausrüstung



WARNUNG! Eine falsche Schneidausrüstung oder eine falsche Schienen/Kettenkombination erhöhen die Rückschlaggefahr! Nur die Kombinationen von Führungsschiene und Sägekette verwenden, die wir im Kapitel Technische Daten empfehlen, und die Feilanweisungen befolgen. Siehe die Anweisungen unter der Überschrift Technische Daten.

Ein Rückschlag kann nur vermieden werden, wenn der Anwender dafür sorgt, dass der Rückschlagbereich der Schiene nicht mit einem Gegenstand in Berührung kommt.

Die Kraft eines Rückschlags kann reduziert werden, in dem eine Schneidausrüstung mit "eingebauter" Rückschlagreduzierung benutzt und die Sägekette richtig geschärft und gewartet wird.

Führungsschiene

Je kleiner der Radius des Umlenksterns, desto geringer die Rückschlagneigung.

Sägekette

Eine Sägekette besteht aus einer Anzahl von verschiedenen Kettengliedern, die in Standardausführung und mit Rückschlagreduzierung erhältlich sind.

WICHTIG! Keine Sägeketten können die Rückschlaggefahr ausschließen.



WARNUNG! Jeder Kontakt mit einer rotierenden Sägekette kann sehr schwere Verletzungen hervorrufen.

Einige Ausdrücke, die Führungsschiene und Sägekette beschreiben

Um alle Sicherheitskomponenten der Schneidausrüstung zu erhalten, sind verschlissene und beschädigte Schienen/Kettenkombinationen durch eine von Husqvarna empfohlene Führungsschiene und Sägekette zu ersetzen. Siehe die Anweisungen unter der Überschrift Technische Daten für Informationen, welche Schienen/Kettenkombinationen wir empfehlen.

Führungsschiene

- Länge (Zoll/cm)
- Anzahl Zähne des Umlenksterns (T).
- Teilung der Sägekette (=pitch) (in Zoll). Der Umlenkstern der Führungsschiene und das Kettenantriebsrad der Motorsäge müssen dem Abstand zwischen den Treibgliedern angepasst sein. (14)
- Anzahl Treibglieder (St.). Jede Führungsschienenlänge hat je nach der

Schneidausrüstung

Dieser Abschnitt beschreibt, wie man durch vorschriftsmäßige Wartung und Anwendung der richtigen Schneidausrüstung:

- Verringert die Rückschlagneigung des Gerätes.
- Reduziert die Gefahr des Abspringens oder Brechens der Sägekette.
- Erhält eine optimale Schnittleistung.
- Verlängert die Lebensdauer der Schneidausrüstung.
- Vermeidet die Steigerung der Vibrationspegel.

Grundregeln

- **Benutzen Sie nur von uns empfohlene Schneidausrüstungen!** Siehe die Anweisungen unter der Überschrift Technische Daten.
- **Sorgen Sie dafür, dass die Schneidezähne die richtige Länge haben und gut geschärft sind! Befolgen Sie unsere Anweisungen und benutzen Sie die empfohlene Feillehre.** Eine falsch geschärfte oder beschädigte Sägekette erhöht die Unfallgefahr.
- **Korrekten Tiefenbegrenzerabstand beibehalten! Anweisungen befolgen und die empfohlene Tiefenbegrenzerlehre verwenden.** Ein zu großer Tiefenbegrenzerabstand erhöht die Rückschlaggefahr.
- **Halten Sie die Sägekette gespannt!** Wenn die Sägekette unzureichend gespannt ist, erhöht sich die Gefahr, dass sie abspringt. Zudem werden Führungsschiene, Sägekette und Kettenantriebsrad stärker abgenutzt.
- **Sorgen Sie für eine gute Schmierung und Wartung der Schneidausrüstung!** Wenn die Sägekette unzureichend geschmiert wird, erhöht sich die Gefahr, dass sie reißt. Zudem werden Führungsschiene, Sägekette und Kettenantriebsrad stärker abgenutzt.

ALLGEMEINE SICHERHEITSVORSCHRIFTEN

Sägekettenteilung sowie der Anzahl Zähne des Umlenksterns eine bestimmte Anzahl Treibglieder.

- Nutbreite der Schiene (Zoll/mm). Die Breite der Führungsschiennut muss der Treibgliedbreite der Sägekette angepasst sein.
- Loch für Kettenöl und Loch für Kettenspannzapfen. Die Führungsschiene muss der Motorsägenkonstruktion angepasst sein. (15)

Sägekette

- Teilung der Sägekette (=pitch) (Zoll) (14)
- Treibgliedbreite (mm/Zoll) (16)
- Anzahl Treibglieder (St.) (17)

Sägekette schärfen und Tiefenbegrenzerabstand justieren

Allgemeines über das Schärfen von Schneidezähnen

- Niemals mit einer stumpfen Sägekette sägen. Die Sägekette ist stumpf, wenn die Schneidausrüstung durch das Holz gepresst werden muss und die Holzspäne sehr klein sind. Bei einer sehr stumpfen Sägekette sind überhaupt keine Holzspäne vorhanden. In diesem Fall entsteht nur Holzstaub.
- Eine gut geschärfte Sägekette frisst sich durch das Holz und erzeugt große, lange Holzspäne.
- Das sägende Element einer Sägekette, das Schneidglied, besteht aus einem Schneidezahn (A) und einer Tiefenbegrenznase (B). Der Höhenabstand zwischen den beiden entscheidet über die Schnitttiefe. (18)

Beim Schärfen von Schneidezähnen sind vier Werte zu berücksichtigen.

- 1 Schärfwinkel (19)
- 2 Brustwinkel (20)
- 3 Schärflage (21)
- 4 Durchmesser der Rundfeile

Ohne Hilfsmittel ist es äußerst schwierig, eine Sägekette korrekt zu schärfen. Daher empfehlen wir die Anwendung unserer Schärflinse. Sie stellt sicher, dass die Sägekette für optimale Rückschlagreduktion und Schnittleistung geschärft wird. (22)

Siehe die Anweisungen unter der Überschrift Technische Daten bezüglich des Schärfens Ihrer Motorsägenkette.



WARNUNG! Das Nichtbefolgen der Schärfanweisungen erhöht die Rückschlagneigung der Sägekette erheblich!

Schärfen der Schneidezähne



Zum Schärfen der Schneidezähne ist eine Rundfeile und eine Schärflinse erforderlich. Siehe die Anweisungen unter der Überschrift Technische Daten bezüglich des Durchmessers der Rundfeile sowie einer Schärflinsempfehlung für Ihre Motorsägenkette.

- Kontrollieren, ob die Sägekette gespannt ist. Bei unzureichender Spannung ist die Sägekette in seitlicher Richtung instabil, was das korrekte Schärfen erschwert.
- Immer von der Innenseite des Schneidezahns nach außen schärfen. Die Feile beim Zurücksetzen anheben. Zuerst alle Zähne der einen Seite schärfen, dann die Motorsäge drehen und die Zähne der anderen Seite schärfen.
- So schärfen, dass alle Zähne gleich lang sind. Wenn die Schneidezähne bis auf 4 mm (5/32") Länge abgenutzt sind, ist die Sägekette unbrauchbar und muss weggeworfen werden. (23)

Allgemeines über die Justierung der Tiefenbegrenzung

- Beim Schärfen des Schneidezahns wird die Tiefenbegrenzung (= Schnitttiefe) verringert. Um die maximale Schneidleistung beizubehalten, muss die Tiefenbegrenznase auf die empfohlene Höhe gesenkt werden. Siehe die Anweisungen unter der Überschrift Technische Daten über die Justierung des Tiefenbegrenzerabstands an der Sägekette Ihrer Motorsäge. (24)



WARNUNG! Ein zu großer Tiefenbegrenzerabstand erhöht die Rückschlagneigung der Sägekette!

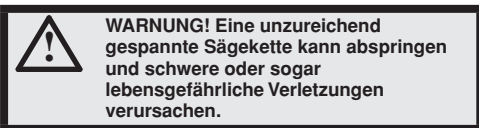
Justierung des Tiefenbegrenzerabstands



- Wenn die Justierung des Tiefenbegrenzerabstands vorgenommen wird, müssen die Schneidezähne neu geschärft sein. Wir empfehlen, den Tiefenbegrenzerabstand nach jeder dritten Sägekettenschärfung zu justieren. ACHTUNG! Diese Empfehlung setzt voraus, dass die Länge der Schneidezähne nicht unnormal verkürzt worden ist.
- Zur Justierung des Tiefenbegrenzerabstands sind eine Flachfeile und eine Tiefenbegrenzerlehre erforderlich. Wir empfehlen die Verwendung unserer Schärflinse für den Tiefenbegrenzerabstand, um das korrekte Maß und den richtigen Winkel der Tiefenbegrenznase zu erhalten.
- Schärflinse über die Sägekette legen. Informationen über die Verwendung der Schärflinse sind auf der Verpackung angegeben. Mit der Flachfeile den überschüssigen Teil der Tiefenbegrenznase abfeilen. Der Tiefenbegrenzerabstand ist korrekt, wenn beim Feilen über die Lehre kein Widerstand mehr zu spüren ist. (25)

ALLGEMEINE SICHERHEITSVORSCHRIFTEN

Spannen der Sägekette



Je öfter man eine Sägekette benutzt, desto länger wird sie. Es ist wichtig, dass die Schneidausrüstung dieser Veränderung entsprechend justiert wird.

Die Kettenspannung ist regelmäßig beim Tanken zu kontrollieren. **ACHTUNG!** Eine neue Sägekette muss eine gewisse Zeit eingefahren werden, in der die Sägekettenspannung öfter kontrolliert werden muss.

Allgemein gilt, dass man die Sägekette so straff wie möglich spannen soll, aber nur so straff, dass man sie noch leicht von Hand drehen kann. **(26)**

435 II, 440 II



- Die Schienenmutter lösen, die Kupplungsdeckel/Kettenbremse sichert. Den Kombischlüssel benutzen. Dann die Schienenmutter so fest wie möglich von Hand anziehen. **(27)**
- Die Führungsschienenspitze anheben und die Sägekette durch Drehen der Spanschraube mit Hilfe des Kombischlüssels spannen. Die Sägekette spannen, bis sie an der Unterseite der Führungsschiene nicht mehr durchhängt. **(28)**
- Den Kombischlüssel verwenden und die Schienenmutter anziehen und dabei gleichzeitig die Schienenspitze hochhalten. Kontrollieren, ob die Sägekette leicht von Hand herangezogen werden kann und an der Unterseite der Schiene nicht herunterhängt. **(29)**

Die Spanschraube der Sägekette befindet sich bei unseren Motorsägenmodellen an unterschiedlichen Positionen. Siehe die Anweisungen unter der Überschrift Was ist was? bezüglich der Position der Spanschraube an Ihrem Modell.

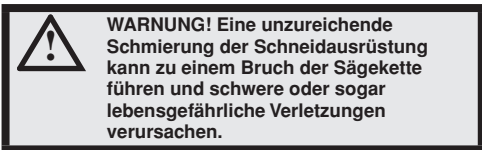
435e II, 440e II



- Den Knauf durch Herausklappen lösen. **(30)**
- Durch Drehen des Knaufs im Gegenuhrzeigersinn wird der Schienenschutz gelöst. **(31)**
- Die Kettenspannung wird wie folgt justiert: Das Rad nach unten drehen (+), um die Spannung zu erhöhen, und nach oben (-), um die Spannung zu lockern. **(32)**

- Durch Drehen des Knaufs im Uhrzeigersinn wird die Schienenkupplung angezogen. **(33)**
- Knauf wieder einklappen, um die Spannung zu sichern. **(34)**

Schmierung der Schneidausrüstung

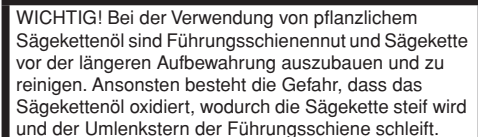


Sägekettenöl

Sägekettenöl soll gut an der Sägekette haften und im warmen Sommer wie im kalten Winter gute Fließeigenschaften aufweisen.

Als Motorsägenhersteller haben wir ein optimales Sägekettenöl entwickelt, das dank seiner pflanzlichen Basis außerdem biologisch abbaubar ist. Wir empfehlen daher die Verwendung unseres Kettenöls der Umwelt zuliebe, und damit die Sägekette länger hält. Wenn unser Original-Sägekettenöl nicht erhältlich ist, empfehlen wir, herkömmliches Sägekettenöl zu benutzen.

Niemals Altöl verwenden! Es ist schädlich für Anwender, Gerät und Umwelt.



Nachfüllen von Sägekettenöl

- Alle unsere Motorsägenmodelle sind mit automatischer Kettenschmierung versehen. Bei einigen Modellen kann auch die Öldurchflussmenge eingestellt werden.
- Kettenöl- und Kraftstofftank sind so dimensioniert, dass der Kraftstoff zur Neige geht, bevor das Sägekettenöl verbraucht ist.

Diese Sicherheitsfunktion setzt jedoch voraus, dass das richtige Kettenöl verwendet wird (ein zu dünnflüssiges Öl wird verbraucht, bevor der Kraftstofftank leer ist) sowie die Empfehlung bzgl. der Vergasereinstellung (bei einer zu mageren Einstellung reicht der Kraftstoff länger als das Sägekettenöl) und die Empfehlungen für die Schneidausrüstung (eine zu lange Führungsschiene erfordert mehr Kettenöl) befolgt werden.

Kontrolle der Sägekettenschmierung

- Beim Tanken ist immer die Sägekettenschmierung zu kontrollieren.
Die Führungsschienenspitze im Abstand von etwa 20 cm (8 Zoll) auf einen festen, hellen Gegenstand richten. Nach 1 Minute Betrieb mit 3/4 Vollgas muss

ALLGEMEINE SICHERHEITSVORSCHRIFTEN

ein deutlicher Ölrand am hellen Gegenstand sichtbar sein.

Wenn die Sägekettenschmierung nicht funktioniert:

- Kontrollieren, ob der Sägekettenölkanal verstopft ist. Bei Bedarf reinigen. (35)
- Kontrollieren, ob die Nut der Führungsschiene sauber ist. Bei Bedarf reinigen. (36)
- Kontrollieren, ob der Umlenkstern der Führungsschiene sich leicht bewegen lässt und sein Schmierloch offen ist. Bei Bedarf reinigen und schmieren. (37)

Wenn die Schmierung der Sägekette nach einem Durchgang der oben aufgeführten Kontrollen und Maßnahmen nicht funktioniert, muss die Servicewerkstatt aufgesucht werden.

Kettenantriebsrad



Die Kupplungstrommel ist mit einem der folgenden Kettenantriebsräder versehen:

A Spur-Antriebsrad (das Kettenantriebsrad ist auf die Trommel geschweißt)

B Rim-Antriebsrad (austauschbar) (38)

Regelmäßig den Verschleiß des Kettenantriebsrades kontrollieren. Austauschen, wenn das Rad unnormal verschlissen ist. Das Kettenantriebsrad bei jedem Wechsel der Sägekette austauschen.

Schmierung des Nadellagers



Beide Varianten des Kettenantriebsrads haben ein eingebautes Nadellager an der Abtriebswelle, das regelmäßig geschmiert werden muss (einmal wöchentlich). ACHTUNG! Immer hochwertigste Lagerfett oder Motoröl verwenden.

Siehe die Anweisungen unter der Überschrift **Wartung, Schmierung des Nadellagers**.

Verschleißkontrolle der Schneidausrüstung



Die Sägekette täglich im Hinblick auf Folgendes kontrollieren:

- Sichtbare Risse an Nieten und Gliedern.
- Steifigkeit der Sägekette.
- Unnormaler Verschleiß an Nieten und Gliedern.

Die Sägekette entsorgen, wenn sie einen der o. g. Punkte aufweist.

Wir empfehlen, eine neue Sägekette zu benutzen, um den Verschleiß der alten Kette beurteilen zu können.

So schärfen, dass alle Zähne gleich lang sind. Wenn die Schneidezähne bis auf 4 mm (5/32") Länge abgenutzt sind, ist die Sägekette unbrauchbar und muss weggeworfen werden. (23)

Führungsschiene



Regelmäßig kontrollieren:

- Ob sich an den Außenseiten der Führungsschienenennut Grate gebildet haben. Bei Bedarf abfeilen.
- Ob die Führungsschienenennut unnormal verschlissen ist. Wenn ja, Führungsschiene auswechseln.
- Ob der Umlenkstern der Führungsschiene unnormal oder ungleichmäßig verschlissen ist. Wenn sich eine Vertiefung gebildet hat, wo der Radius des Umlenksterns an der Unterseite der Führungsschiene endet, war die Sägekette unzureichend gespannt.
- Regelmäßiges Wenden der Führungsschiene verlängert ihre Lebensdauer.



WARNUNG! Die Mehrzahl der Unfälle mit Motorsägen passiert, wenn die Sägekette den Anwender trifft.

Tragen Sie persönliche Schutzausrüstung. Siehe die Anweisungen unter der Überschrift "Persönliche Schutzausrüstung".

Meiden Sie alle Arbeitsaufgaben, für die Sie sich nicht ausreichend qualifiziert fühlen. Siehe die Anweisungen unter den Überschriften **Persönliche Schutzausrüstung, Vorbeugende Maßnahmen gegen Rückschlag, Schneidausrüstung und Allgemeine Arbeitsvorschriften**.

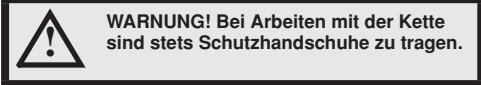
Vermeiden Sie Situationen, in denen Rückschlaggefahr besteht. Siehe die Anweisungen unter der Überschrift **Sicherheitsausrüstung des Gerätes**.

Benutzen Sie die empfohlene Schneidausrüstung und kontrollieren Sie deren Zustand. Siehe die Anweisungen unter der Überschrift **Allgemeine Arbeitsvorschriften**.

Kontrollieren Sie die Funktion der Sicherheitsausrüstung der Motorsäge. Siehe die Anweisungen unter den Überschriften **Allgemeine Arbeitsvorschriften und Allgemeine Sicherheitsvorschriften**.

MONTAGE

Montage von Schiene und Kette



435 II, 440 II

- **Kontrollieren, dass die Kettenbremse nicht in ausgelöster Position ist, indem der Handschutz der Kettenbremse gegen den vorderen Griff geführt wird. (39)**
- Die Schienenmutter herausschrauben und den Kupplungsdeckel (Kettenbremse) abnehmen. Den Transportschutz (A) entfernen. **(40)**
- Die Schiene über den Schienenbolzen montieren. Die Schiene in der hintersten Position aufsetzen. Die Kette um das Kettenantriebsrad und in die Schienennut legen. Auf der Oberseite der Schiene beginnen. **(41)**
- Darauf achten, dass die Schneiden der Sägezähne auf der Schienenoberseite nach vorn gerichtet sind.
- Bringen Sie die Kupplungsabdeckung an und setzen Sie den Kettenspannzapfen in das Loch in der Schiene ein. Überprüfen Sie, ob die Treibglieder der Kette auf das Kettenantriebsrad passen und die Kette richtig in der Schienennut liegt. Ziehen Sie die Schienenmuttern von Hand fest.
- Die Kette durch Drehen der Kettenspannschraube im Uhrzeigersinn (einen Kombischlüssel verwenden) spannen. Die Kette soll gespannt werden, bis sie auf der Schienenunterseite nicht mehr durchhängt. **(42)**
- Die Kette ist korrekt gespannt, wenn sie an der Schienenunterseite nicht durchhängt und von Hand noch leicht herumgezogen werden kann. Die Schienenmutter mit dem Kombischlüssel anziehen und dabei gleichzeitig die Schienenspitze hochhalten. **(43)**
- An einer neuen Kette muss die Kettenspannung oft kontrolliert werden, bis die Kette eingefahren ist. Die Kettenspannung regelmäßig prüfen. Mit einer richtig gespannten Kette wird eine gute Schnittleistung und eine lange Lebensdauer erzielt. **(44)**

435e II, 440e II

- **Kontrollieren, dass die Kettenbremse nicht in ausgelöster Position ist, indem der Handschutz der Kettenbremse gegen den vorderen Griff geführt wird. (45)**
- Kettenspannrolle lösen und Kupplungsdeckel (Kettenbremse) entfernen. Transportschutz entfernen. (A) **(46)**
- Die Schiene über die Schienenbolzen montieren. Die Schiene in der hintersten Position aufsetzen. Die

Kette um das Kettenantriebsrad und in die Schienennut legen. Auf der Oberseite der Schiene beginnen. **(41)**

- Darauf achten, dass die Schneiden der Sägezähne auf der Schienenoberseite nach vorn gerichtet sind.
- Bringen Sie die Kupplungsabdeckung an und setzen Sie den Kettenspannzapfen in das Loch in der Schiene ein. Überprüfen Sie, ob die Treibglieder der Kette auf das Kettenantriebsrad passen und die Kette richtig in der Schienennut liegt.
- Das Rad nach unten drehen (+), um die Kette zu spannen. Die Kette sollte so gespannt werden, dass sie von der Schienenunterseite nicht durchhängt. **(32)**
- Die Kette ist korrekt gespannt, wenn sie von der Schienenunterseite nicht durchhängt, aber noch problemlos von Hand gedreht werden kann. Die Schienenspitze nach oben halten und die Schienenkupplung durch Drehen des Knaufs im Uhrzeigersinn anziehen. **(33)**
- An einer neuen Kette muss die Kettenspannung oft kontrolliert werden, bis die Kette eingefahren ist. Die Kettenspannung regelmäßig prüfen. Mit einer richtig gespannten Kette wird eine gute Schnittleistung und eine lange Lebensdauer erzielt. **(44)**

Montage der Rindenstütze

Zur Montage einer Rindenstütze wenden Sie sich bitte an Ihre Servicewerkstatt. **(47)**

UMGANG MIT KRAFTSTOFF

Kraftstoff

Hinweis! Das Gerät ist mit einem Zweitaktmotor ausgestattet und daher ausschließlich mit einer Mischung aus Benzin und Zweitaktöl zu betreiben. Um das korrekte Mischungsverhältnis sicherzustellen, muss die beizumischende Ölmenge genau abgemessen werden. Beim Mischen kleiner Kraftstoffmengen wirken sich auch kleine Abweichungen bei der Ölmenge stark auf das Mischungsverhältnis aus.



WARNUNG! Beim Umgang mit Kraftstoff für gute Belüftung sorgen.

Benzin



- Bleifreies oder verbleites Qualitätsbenzin verwenden.
- Als niedrigste Oktanzahl wird 90 (RON) empfohlen. Bei Benzin mit niedrigeren Oktanzahlen als 90 kann im Motor ein sog. "Klopfen" auftreten. Dies führt zu erhöhter Motortemperatur und verstärkter Belastung der Lager, was schwere Motorschäden verursachen kann.
- Wenn ständig mit hoher Drehzahl gearbeitet wird (z.B. beim Entasten), ist eine höhere Oktanzahl zu empfehlen.

Umweltfreundlicher Kraftstoff

HUSQVARNA empfiehlt die Verwendung von umweltfreundlichem Benzin (sog. Alkylatkraftstoff), entweder fertig gemischtes Zweitaktbenzin von Aspen oder ein Gemisch aus umweltfreundlichem Benzin für Viertaktmotoren und Zweitaktöl (siehe nachstehend). Beachten, dass beim Wechsel des Kraftstofftyps möglicherweise der Vergaser eingestellt werden muss (siehe die Anweisungen unter "Vergaser").

Bioethanol

HUSQVARNA empfiehlt die Verwendung von handelsüblichem Kraftstoff mit höchstens 10 % Ethanol.

Einfahren

Während der ersten 10 Stunden ist ein Fahren bei zu hoher Drehzahl und über längere Zeiträume zu vermeiden.

Zweitaktöl

- Das beste Resultat und die beste Leistung wird mit HUSQVARNA-Zweitaktmotoröl erzielt, das speziell für unsere luftgekühlten Zweitaktmotoren hergestellt wird.
- Niemals Zweitaktöl für wassergekühlte Außenbordmotoren, sog. Outboardoil (TCW), verwenden.
- Niemals Öl für Viertaktmotoren verwenden.

- Eine unzureichende Ölqualität oder ein zu fettes Öl/Kraftstoff-Gemisch kann die Funktion des Katalysators beeinträchtigen und seine Lebensdauer reduzieren.

Mischungsverhältnis

1:50 (2 %) mit HUSQVARNA-Zweitaktöl.

1:33 (3 %) mit anderen Ölen für luftgekühlte Zweitaktmotoren der Klasse JASO FB/ISO EGB.

Benzin, Liter	Zweitaktöl, Liter	
	2% (1:50)	3% (1:33)
5	0,10	0,15
10	0,20	0,30
15	0,30	0,45
20	0,40	0,60

Mischen

- Benzin und Öl stets in einem sauberen, für Benzin zugelassenen Behälter mischen.
- Immer zuerst die Hälfte des Benzins, das gemischt werden soll, einfüllen. Danach die gesamte Ölmenge einfüllen. Die Kraftstoffmischung mischen (schütteln). Dann den Rest des Benzins dazugeben.
- Vor dem Einfüllen in den Tank der Maschine die Kraftstoffmischung noch einmal sorgfältig mischen (schütteln).
- Kraftstoff höchstens für einen Monat im Voraus mischen.
- Wenn das Gerät über einen längeren Zeitraum nicht benutzt wird, den Kraftstofftank entleeren und reinigen.

Kettenöl

- Zum Schmierien empfehlen wir ein spezielles Öl (Kettenschmieröl) mit guten Hafteigenschaften. **(48)**
- Auf keinen Fall Altöl verwenden. Dadurch können Schäden an Ölpumpe, Schiene und Kette entstehen.
- Es ist wichtig, eine für die aktuelle Lufttemperatur geeignete Ölsorte (mit entsprechender Viskosität) zu verwenden.
- Bei Lufttemperaturen unter 0°C können gewisse Öle dickflüssig werden. Dies kann zu Überlastung der Ölpumpe führen und hat Schäden an den Pumpenteilen zur Folge.
- Informieren Sie sich bei Ihrer Servicewerkstatt über das geeignete Kettenschmieröl.

Tanken



WARNUNG! Folgende Vorsichtsmaßnahmen verringern die Feuergefahr:

Beim Tanken nicht rauchen und jegliche Wärmequellen vom Kraftstoff fernhalten.

Den Motor abstellen und vor dem Tanken einige Minuten abkühlen lassen.

Den Tankdeckel stets vorsichtig öffnen, so dass sich ein evtl. vorhandener Überdruck langsam abbauen kann.

Den Tankdeckel nach dem Tanken wieder sorgfältig zudrehen.

Die Maschine vor dem Start immer aus dem Auftankbereich und von der Auftankquelle weg bewegen.

Um den Tankdeckel herum abwischen. Kraftstoff- und Kettenöltank regelmäßig reinigen. Den Kraftstofffilter mindestens einmal pro Jahr auswechseln. Verunreinigungen im Tank führen zu Betriebsstörungen. Vor dem Auffüllen durch kräftiges Schütteln des Behälters sicherstellen, dass der Kraftstoff gut gemischt ist. Die Volumina von Kettenöl- und Kraftstofftank sind aufeinander abgestimmt. Deshalb stets Kettenöl und Kraftstoff gleichzeitig nachfüllen. (48)



WARNUNG! Kraftstoff und Kraftstoffdämpfe sind sehr feuergefährlich. Beim Umgang mit Kraftstoff und Kettenöl ist Vorsicht geboten. Es besteht besteht Feuer-, Explosions- und Vergiftungsgefahr.

Abnehmen des Tankdeckels und des Kettenöldeckels

- Auf den strukturierten Bereich des Klapphebels drücken und den Klapphebel in eine aufrechte Position anheben. (49)
- Den Deckel durch Drehen gegen den Uhrzeigersinn lösen. (50)
- Den Deckel abnehmen. (51)

Austauschen des Tankdeckels und des Kettenöldeckels

- Den Deckel mit dem Klapphebel in aufrechter Position einsetzen. (52)
- Den Tankdeckel im Uhrzeigersinn fest zudrehen. (53)
- Den Klapphebel nach unten klappen. (54)

WICHTIG! Beschädigte Deckel immer austauschen.

Sicherer Umgang mit Kraftstoff

- Niemals Kraftstoff nachfüllen, wenn der Motor läuft.
- Beim Tanken und Mischen von Kraftstoff (Benzin und Zweitaktöl) ist für gute Belüftung zu sorgen.
- Das Gerät vor dem Starten mindestens 3 m von der Stelle entfernen, an der getankt wurde.
- Das Gerät niemals starten, wenn:
 - 1 Kraftstoff oder Kettenöl darüber verschüttet wurde. Verschüttetes restlos abwischen und die Kraftstoffdämpfe verdunsten lassen.
 - 2 Wenn Sie Kraftstoff über sich selbst oder Ihre Kleidung verschüttet haben, ziehen Sie sich um. Waschen Sie die Körperteile, die mit dem Kraftstoff in Berührung gekommen sind. Wasser und Seife verwenden.
 - 3 Wenn es Kraftstoff leckt. Tankdeckel und Tankleitungen regelmäßig auf Undichtigkeiten überprüfen.



WARNUNG! Niemals ein Gerät mit sichtbaren Schäden an Zündkerzenschutz und Zündkabel verwenden. Es besteht die Gefahr der Funkenbildung, was ein Feuer verursachen kann.

Transport und Aufbewahrung

- Die Motorsäge und den Kraftstoff so aufbewahren, dass evtl. auslaufender Kraftstoff und Dämpfe nicht mit Funken oder offenen Flammen in Berührung kommen können. Quellen für Funkenbildung sind elektrische Maschinen, Elektromotoren, elektrische Steckdosen und Schalter, Heizkessel usw.
- Zur Aufbewahrung von Kraftstoff sind speziell für diesen Zweck bestimmte und zugelassene Behälter zu verwenden.
- Bei längerer Aufbewahrung oder beim Transport der Motorsäge sind Kraftstoff- und Kettenöltank zu entleeren. Fragen Sie an der nächsten Tankstelle nach, wo Sie Ihre Altbestände an Kraftstoff und Sägekettenöl entsorgen können.
- Bei Transport oder Aufbewahrung des Geräts muss der Transportschutz für die Schneidausrüstung immer montiert sein, um einen versehentlichen Kontakt mit der scharfen Kette zu vermeiden. Auch eine sich nicht bewegendes Kette kann schwere Verletzungen beim Bediener oder anderen Personen in der Nähe verursachen.
- Zündkappe von der Zündkerze abnehmen. Kettenbremse aktivieren.
- Sichern Sie die Maschine während des Transports.

Langzeitaufbewahrung

Kraftstoff- und Öltanks an einem gut belüfteten Ort leeren. Den Kraftstoff in zugelassenen Kanistern an einem sicheren Ort aufbewahren. Führungsschienenschutz montieren. Gerät reinigen. Siehe die Anweisungen unter der Überschrift **Wartungsplan**.

Vor der Langzeitaufbewahrung sicherstellen, dass die Maschine gründlich gesäubert und komplett gewartet wurde.

STARTEN UND STOPPEN

Starten und stoppen



WARNUNG! Vor dem Start ist Folgendes zu beachten:

Beim Starten der Motorsäge muss die Kettenbremse eingeschaltet sein, um die Gefahr eines Kontakts mit der rotierenden Kette zu verhindern.

Die Motorsäge nicht starten, ohne dass Schiene, Kette und sämtliche Abdeckungen montiert sind. Andernfalls kann sich die Kupplung lösen und Verletzungen verursachen.

Das Gerät auf einen festen Untergrund stellen. Sorgen Sie dafür, dass Sie fest und sicher stehen, und dass die Kette nicht mit einem Gegenstand in Berührung kommen kann.

Sorgen Sie dafür, dass sich im Arbeitsbereich keine Unbefugten aufhalten.

Das Startseil niemals um die Hand wickeln.

Starten

Die Kettenbremse muss eingeschaltet sein, wenn die Motorsäge gestartet wird. Die Bremse aktivieren, indem der Handschutz nach vorn geführt wird. (55)

Kalter Motor

Startposition, 1: Den Start-/Stoppshalter in die Chokeyposition bringen. Dazu den roten Hebel nach außen und nach oben ziehen. (56)

Kraftstoffpumpe (2): Mehrmals auf die Gummibläse der Kraftstoffpumpe drücken, bis diese sich mit Kraftstoff zu füllen beginnt (ca. 6 Mal). Die Blase braucht nicht ganz gefüllt zu werden. (56)

Den vorderen Griff mit der linken Hand umfassen. Mit dem rechten Fuß in den hinteren Griff treten und die Motorsäge gegen den Boden drücken. (57)

Starthandgriff ziehen, 3: Den Starthandgriff mit der rechten Hand fassen und das Startseil bis zum ersten Widerstand (die Starterklinken rasten ein) langsam herausziehen, danach das Seil schnell und kraftvoll herausziehen, bis der Motor startet.

Den roten Chokeyhebel einschieben, 4: Sobald das typische Zündgeräusch des Motors zu vernehmen ist, den roten Chokeyhebel einschieben.

Starthandgriff ziehen (5): Weitere Startversuche machen, bis der Motor anspringt.

Warmer Motor

Startposition, 1: Für korrekte Chokey/Startgas-Einstellung für Warmstart den roten Chokeyhebel nach außen ziehen und nach oben drücken. (56)

Kraftstoffpumpe (2): Mehrmals auf die Gummibläse der Kraftstoffpumpe drücken, bis diese sich mit Kraftstoff zu füllen beginnt (ca. 6 Mal). Die Blase braucht nicht ganz gefüllt zu werden. (56)

Den roten Chokeyhebel einschieben, 3: Der Chokey wird so ausgeschaltet, da er für den Warmstart der Kettensäge nicht erforderlich ist. Durch die Betätigung des Start-/Stopp-Schalters wurde jedoch eine hohe Leerlaufdrehzahl eingestellt, was den Warmstart erleichtert.

Starthandgriff ziehen, 4: Den vorderen Griff mit der linken Hand umfassen. Mit dem rechten Fuß in den hinteren Griff treten und die Motorsäge gegen den Boden drücken. (57)

Den Startgriff mit der rechten Hand fassen und das Startseil bis zum ersten Widerstand (die Starterklinken rasten ein) langsam herausziehen, danach das Seil schnell und kraftvoll herausziehen, bis der Motor startet.

Da die Kettenbremse immer noch eingeschaltet ist, muss die Motordrehzahl so schnell wie möglich auf Leerlauf reduziert werden, was durch das Ausschalten der Gassperre erreicht wird. Zum Ausschalten leicht den Gashebel betätigen. Dadurch vermeiden Sie unnötigen Verschleiß an Kupplung, Kupplungstrommel und Bremsband. Die Maschine einige Sekunden im Leerlauf laufen lassen, bevor Vollgas gegeben wird.

Hinten an der Säge (A) befinden sich vereinfachte, illustrierte Schritt-für-Schritt-Starthinweise. (57)

ACHTUNG! Das Startseil nicht ganz herausziehen und den Startgriff aus ganz herausgezogener Lage nicht loslassen. Schäden am Gerät könnten die Folge sein.

Hinweis! Die Kettenbremse rückstellen, indem der Handschutz zum Handgriffbügel geführt wird. Damit ist die Motorsäge bereit zur Anwendung.



WARNUNG! Das Einatmen der Motorabgase, des Kettenölnebels und des Staubs von Sägespänen über längere Zeit kann eine Gefahr für die Gesundheit darstellen.

- Die Motorsäge niemals starten, ohne dass Schiene, Sägekette und sämtliche Abdeckungen korrekt montiert sind. Siehe die Anweisungen unter der Überschrift Montage. Ohne montierte Führungsschiene und Kette kann sich die Kupplung lösen und schwere Schäden verursachen.
- Die Kettenbremse muss beim Starten der Motorsäge eingeschaltet sein. Siehe die Anweisungen unter der Überschrift Starten und Stoppen. Die Motorsäge nicht "aus der Hand" anwerfen. Diese Methode ist äußerst gefährlich, da man leicht die Kontrolle über die Motorsäge verliert. (55)

STARTEN UND STOPPEN

- Das Gerät niemals im Innenbereich starten. Seien Sie sich der Gefahr bewusst, die das Einatmen von Motorabgasen birgt!
- Bei der Arbeit auf die Umgebung achten und sicherstellen, dass weder Menschen noch Tiere mit der Schneidausrüstung in Berührung kommen können.
- Die Motorsäge stets mit beiden Händen halten. Mit der rechten Hand den hinteren Griff und mit der linken den vorderen Griff umfassen. **Alle Benutzer, ob Links- oder Rechtshänder, müssen die Handgriffe so greifen.** Fest umfassen, sodass Daumen und Finger den Handgriff umschließen.

Stoppen

Zum Abstellen des Motors den Start/Stoppschalter eindrücken. **(59)**

ACHTUNG! Der Start/Stoppschalter geht automatisch in die Betriebsposition zurück. Um ein ungewolltes Starten zu vermeiden, muss bei einer unbeaufsichtigten Maschine stets die Zündkappe von der Zündkerze entfernt werden. **(60)**

Vor jeder Anwendung: (61)

- 1 Kontrollieren, ob die Kettenbremse ordnungsgemäß funktioniert und unbeschädigt ist.
- 2 Kontrollieren, ob der hintere Rechtshandschutz unbeschädigt ist.
- 3 Kontrollieren, ob die Gashebelsperre ordnungsgemäß funktioniert und unbeschädigt ist.
- 4 Sicherstellen, dass der Stoppschalter funktionstüchtig und unbeschädigt ist.
- 5 Kontrollieren, ob sämtliche Handgriffe frei von Öl sind.
- 6 Kontrollieren, ob das Vibrationsdämpfungssystem funktioniert und unbeschädigt ist.
- 7 Kontrollieren, ob der Schalldämpfer fest sitzt und unbeschädigt ist.
- 8 Kontrollieren, ob sämtliche Teile der Motorsäge vorhanden, fest angezogen und unbeschädigt sind.
- 9 Kontrollieren, ob der Kettenfänger an seinem Platz sitzt und unbeschädigt ist.
- 10 Kettenspannung überprüfen.

Allgemeine Arbeitsvorschriften

WICHTIG!

Dieser Abschnitt behandelt die grundlegenden Sicherheitsvorschriften bei der Arbeit mit einer Motorsäge. Diese Information kann natürlich in keiner Weise die Ausbildung und langjährige Erfahrung eines Fachmanns ersetzen. Wenn Sie in eine Situation geraten, in der Sie unsicher sind, sollten Sie einen Fachmann um Rat fragen. Wenden Sie sich an Ihren Fachhändler, Ihre Servicewerkstatt oder einen erfahrenen Motorsägenführer. Vermeiden Sie jede Arbeit, für die Sie nicht ausreichend qualifiziert sind!

Vor der Benutzung der Motorsäge müssen Sie wissen, was ein Rückschlag ist, und wie er vermieden werden kann. Siehe die Anweisungen unter der Überschrift Vorbeugende Maßnahmen gegen Rückschlag.

Vor der Benutzung der Motorsäge müssen Sie den Unterschied verstehen zwischen dem Sägen mit der Unterseite bzw. Oberseite der Führungsschiene. Siehe die Anweisungen unter den Überschriften Vorbeugende Maßnahmen gegen Rückschlag und Sicherheitsausrüstung des Geräts.

Tragen Sie persönliche Schutzausrüstung. Siehe die Anweisungen unter der Überschrift "Persönliche Schutzausrüstung".

Grundlegende Sicherheitsvorschriften

- 1 Behalten Sie die Umgebung im Auge:
 - Um sicherzustellen, dass weder Menschen noch Tiere oder anderes Ihre Kontrolle über das Gerät beeinflussen können.
 - Um zu verhindern, dass Menschen oder Tiere mit der Sägekette in Berührung kommen oder von einem fallenden Baum verletzt werden.

ACHTUNG! Befolgen Sie die oben genannten Punkte, aber benutzen Sie nie eine Motorsäge, ohne die

1155355-38 Rev.3 2014-11-24

Möglichkeit zu haben, bei einem eventuellen Unfall Hilfe herbeizurufen.

- 2 Vermeiden Sie es, das Gerät bei schlechtem Wetter zu benutzen. Z.B. bei dichtem Nebel, starkem Regen oder Wind, großer Kälte usw. Bei schlechtem Wetter ist das Arbeiten nicht nur ermüdend, es können außerdem gefährliche Arbeitsbedingungen entstehen, z.B. glatter Boden, unberechenbare Fällrichtung des Baumes usw.
- 3 Beim Absägen von kleinen Ästen ist Vorsicht geboten, und das Sägen in Büschen ist zu vermeiden (= viele Äste gleichzeitig). Kleine Äste können nach dem Absägen in der Sägekette hängenbleiben, gegen den Anwender geschleudert werden und schwere Verletzungen verursachen.
- 4 Sicherstellen, dass Sie sicher gehen und stehen können. Achten Sie auf evtl. Hindernisse (Wurzeln, Steine, Äste, Löcher, Gräben usw.), wenn Sie unvermittelt Ihren Standort wechseln. Beim Arbeiten auf abschüssigem Boden immer sehr vorsichtig sein.
- 5 Beim Sägen von Bäumen, die unter Spannung stehen, äußerst vorsichtig sein. Ein unter Spannung stehender Baum kann sowohl vor als auch nach dem Durchsägen in seine normale Stellung zurückschnellen. Wenn Sie an der falschen Stelle stehen oder den Sägeschnitt falsch setzen, könnte der Baum Sie oder das Gerät so treffen, dass Sie die Kontrolle verlieren. Beide Fälle können schwere Verletzungen zur Folge haben.



- 6 Bei Standortwechseln wird die Sägekette mit der Kettenbremse gesichert und der Motor abgestellt. Die Motorsäge mit Führungsschiene und Sägekette nach hinten gerichtet tragen. Bei längeren Wegen und Transporten muss ein Führungsschienenschutz verwendet werden.
- 7 Beim Abstellen der Motorsäge auf den Boden die Sägekette mit der Kettenbremse sichern und das Gerät immer im Auge behalten. Bei längeren Arbeitsunterbrechungen sollte der Motor abgestellt werden.



WARNUNG! Gelegentlich setzt sich Splitt im Kupplungsdeckel fest, wodurch die Kette blockieren kann. Zur Reinigung grundsätzlich den Motor abstellen.

Grundregeln

- 1 Wenn man verstanden hat, was ein Rückschlag ist und wie er entsteht, kann man das Überraschungsmoment verringern oder beseitigen. Eine Überraschung erhöht die Unfallgefahr. Die meisten Rückschläge sind schwach, einige können jedoch blitzschnell und sehr kraftvoll auftreten.
- 2 Die Motorsäge immer in einem festen Griff halten, mit der rechten Hand am hinteren Handgriff und der

linken Hand am vorderen Handgriff. Daumen und Finger sollen die Handgriffe fest umschließen. Alle Anwender, ob Links- oder Rechtshänder, sollen die Handgriffe so greifen. Durch diesen Griff kann man die Rückschlagkraft am besten verringern und gleichzeitig die Kontrolle über die Motorsäge behalten. **Die Handgriffe nicht loslassen!**

- 3 Die meisten Rückschlagunfälle ereignen sich beim Entasten. Der Anwender hat dafür zu sorgen, dass er fest und sicher steht und keine Gegenstände am Boden liegen, über die er stolpern könnte, so dass er sein Gleichgewicht verliert.

Durch Unachtsamkeit kann der Rückschlagbereich der Führungsschiene einen Ast, einen nahen Baum oder einen anderen Gegenstand berühren und einen Rückschlag auslösen.

Das Werkstück stets beobachten. Sind die gesägten Abschnitte klein und leicht, können sie sich in der Sägekette verfangen und gegen den Bediener geschleudert werden. Auch wenn dies allein nicht immer gefährlich sein muss, können Sie überrascht werden und die Kontrolle über die Säge verlieren. Niemals gestapelte Stämme oder Äste sägen, sondern sie erst auseinander ziehen. Jeweils nur einen Stamm oder einen Abschnitt sägen. Die abgesägten Abschnitte entfernen, um die Sicherheit des Arbeitsbereichs zu bewahren. **(62)**

- 4 **Die Motorsäge darf niemals über Schulterhöhe benutzt werden, und es ist zu vermeiden, mit der Schienenspitze zu sägen. Die Motorsäge niemals mit nur einer Hand halten und benutzen. (63)**
- 5 Um Ihre Motorsäge voll unter Kontrolle zu haben, müssen Sie fest und sicher stehen. Arbeiten Sie niemals auf einer Leiter stehend, oben auf einem Baum oder in anderen Positionen, in denen Sie keinen festen Grund unter den Füßen haben, auf dem Sie sicher stehen. **(64)**
- 6 Immer mit hoher Kettengeschwindigkeit sägen, d.h. mit Vollgas.
- 7 Beim Sägen mit der Oberseite der Führungsschiene besonders vorsichtig sein, d.h. wenn von der Unterseite des Objekts gesägt wird. Diese Technik wird als Sägen mit schiebender Kette bezeichnet. Die Sägekette schiebt dabei die Motorsäge nach hinten zum Anwender. Bei klemmender Sägekette kann die Motorsäge zurück zum Bediener geschleudert werden. **(65)**
- 8 Wenn der Anwender die nach hinten schiebende Kraft der Motorsäge nicht durch seine Körperkraft ausgleicht, besteht die Gefahr, dass die Motorsäge sich so weit nach hinten schiebt, dass nur noch der Rückschlagbereich Kontakt mit dem Baumstamm hat und ein Rückschlag ausgelöst wird. **(66)**
- Das Sägen mit der Unterseite der Führungsschiene, d.h. von der Oberseite des Baumstammes nach unten, wird als Sägen mit ziehender Kette bezeichnet. Die Motorsäge wird zum Baumstamm hingezogen und die Vorderkante des Motorsägenkörpers fungiert als natürliche Stütze am Stamm. Beim Sägen mit

ziehender Kette hat der Anwender eine bessere Kontrolle über die Motorsäge und über den Rückschlagbereich der Führungsschiene. **(67)**

- 9 Die Anweisungen zum Schärfen und Warten der Führungsschiene und Sägekette sind zu befolgen. Beim Auswechseln der Führungsschiene und Sägekette sind nur von uns empfohlene Kombinationen zu verwenden. Siehe die Anweisungen unter den Überschriften Schneidausrüstung und Technische Daten.

Grundlegende Sägetechnik



WARNUNG! Die Motorsäge beim Einsatz niemals nur mit einer Hand halten. Die Motorsäge lässt sich mit nur einer Hand nicht sicher bedienen. Die Griffe stets mit beiden Händen fest und sicher halten.

Allgemeines

- Immer mit Vollgas sägen!
- Nach jedem Sägeschnitt den Motor im Leerlauf laufen lassen (wenn der Motor längere Zeit mit der Höchstdrehzahl läuft, ohne belastet zu werden, d.h., wenn der Motor nicht den beim Sägen durch die Sägekette erzeugten Widerstand verspürt, können schwere Motorschäden die Folge sein).
- Von der Oberseite sägen = Mit "ziehender" Kette sägen.
- Von der Unterseite sägen = Mit "schiebender" Kette sägen.

Beim Sägen mit "schiebender" Kette besteht erhöhte Rückschlaggefahr. Siehe die Anweisungen unter der Überschrift Vorbeugende Maßnahmen gegen Rückschlag.

Bezeichnungen

Ablängen = Allgemeine Bezeichnung für das Durchsägen von Baumstämmen.

Entasten = Absägen von Ästen von einem gefällten Baum.

Brechen = Wenn z.B. der Baumstamm bricht, der abgelängt werden soll, bevor der Sägeschnitt vollendet ist.

Vor jeder Ablängung sind fünf wichtige Faktoren zu berücksichtigen.

- 1 Die Schneidausrüstung darf nicht im Sägeschnitt festgeklemmt werden. **(68)**
- 2 Der Baumstamm darf nicht abbrechen. **(69)**
- 3 Die Sägekette darf während des Durchsägens und danach weder den Erdboden noch einen anderen Gegenstand berühren. **(70)**
- 4 Besteht Rückschlaggefahr? **(4)**
- 5 Haben die Geländestruktur und die Beschaffenheit der Umgebung einen Einfluss darauf, wie sicher Sie gehen und stehen können?

Ob die Sägekette festklemmt oder der Baumstamm bricht, ist von zwei Faktoren abhängig: Wie der Baumstamm vor und nach dem Ablängen gestützt wird und ob er unter Spannung steht.

Das Festklemmen und Brechen kann in den meisten Fällen vermieden werden, in dem in zwei Arbeitsgängen abgelängt wird, d.h. von der Oberseite und von der Unterseite. Es gilt ganz einfach die "Neigung" des Baumstamms zu eliminieren, die Sägekette festzuklemmen oder zu brechen.

WICHTIG! Wenn die Sägekette im Sägeschnitt festklemmt, den Motor abstellen! Nicht versuchen, die Motorsäge mit Gewalt herauszuziehen, weil Verletzungsgefahr durch die Sägekette besteht, wenn die Motorsäge plötzlich freikommt. Einen Hebearm benutzen, um die Motorsäge freizubekommen.

Die nachfolgenden Punkte sind eine theoretische Durchsicht der häufigsten Situationen, in die ein Motorsägenführer geraten kann.

Entasten

Beim Entasten von dickeren Ästen gilt dasselbe Prinzip wie beim Ablängen.

Beschwerliche Äste sind Stück für Stück abzulängen. (71)

Ablängen



WARNUNG! Niemals versuchen, gestapelte oder dicht beieinander liegende Stämme zu sägen. Solches Vorgehen steigert die Rückschlaggefahr und somit das Risiko einer schweren oder lebensgefährlichen Verletzung erheblich.

Bei einem Stapel mit Stämmen ist jeder zu sägende Stamm vom Stapel wegzubewegen, auf einen Sägebock o. Ä. zu legen und einzeln zu sägen.

Die gesägten Abschnitte aus dem Arbeitsbereich entfernen. Wenn sie im Arbeitsbereich liegen bleiben, erhöhen sie sowohl das Risiko für einen versehentlichen Rückschlag als auch die Stolpergefahr beim Arbeiten. (72)

Der Stamm liegt auf dem Erdboden. Es besteht keine Gefahr, dass die Sägekette festklemmt oder der Baumstamm bricht. Es besteht jedoch die Gefahr, dass die Sägekette nach dem Durchsägen den Erdboden berührt. (73)

Von oben durch den ganzen Stamm sägen. Am Ende des Sägeschnittes ist Vorsicht geboten, um zu verhindern, dass die Sägekette den Erdboden berührt. Mit Vollgas weiterarbeiten, aber vorsichtig sein. (74)

Wenn die Möglichkeit vorhanden ist (= kann der Stamm gedreht werden?), sollte der Stamm zu 2/3 durchgesägt werden.

Den Stamm dann drehen, um das restliche Drittel des Stammes von oben durchzusägen. (75)

Der Stamm wird an einem Ende gestützt. Es besteht große Gefahr, dass er bricht. (76)

Zuerst von unten sägen (etwa 1/3 des Stammdurchmessers).

Das Durchsägen von oben beenden, bis die Sägeschnitte aufeinander treffen. (77)

Der Stamm wird an beiden Enden gestützt. Es besteht große Gefahr, dass die Sägekette eingeklemmt wird. (78)

Zuerst von oben sägen (etwa 1/3 des Stammdurchmessers).

Dann von unten sägen, bis die Sägeschnitte aufeinander treffen. (79)

Technik beim Fällen von Bäumen

WICHTIG! Es ist viel Erfahrung erforderlich, um einen Baum zu fällen. Ein unerfahrener Motorsägenanwender sollte keine Bäume fällen. Meiden Sie alle Arbeiten, für die Sie sich nicht ausreichend qualifiziert fühlen!

Sicherheitsabstand

Der Sicherheitsabstand zwischen dem zu fällenden Baum und dem nächstgelegenen Arbeitsplatz soll 2 1/2 Baumlängen betragen. Sorgen Sie dafür, dass sich in diesem Gefahrenbereich weder vor noch nach dem Fällen jemand aufhält. (80)

Fällrichtung

Beim Bäumefällen ist es wichtig, dass ein Baum nach dem Fällen leicht abzulängen und zu entasten ist. Der Anwender soll in der Nähe des gefällten Stammes sicher gehen und stehen können.

Nachdem sich der Anwender für die Fällrichtung des Baumes entschieden hat, muss er dessen natürliche Fallrichtung beurteilen.

Folgende Faktoren sind dabei zu berücksichtigen:

- Neigung
- Krümmhaftigkeit
- Windrichtung
- Anordnung der Äste
- Evtl. Schneegewicht
- Hindernisse in Reichweite des Baums: z. B. andere Bäume, Stromleitungen, Straßen und Gebäude.
- Den Stamm auf Schäden und Fäulnis untersuchen; dadurch erhöht sich die Wahrscheinlichkeit, dass der Baum sich löst und fällt, bevor Sie damit rechnen.

Nach Berücksichtigung dieser Faktoren kann der Anwender gezwungen sein, die natürliche Fallrichtung des Baumes zu akzeptieren, da es unmöglich oder zu gefährlich ist, den Baum in die gewünschte Richtung zu fällen.

Ein anderer wichtiger Faktor, der nicht die Fällrichtung, wohl aber die persönliche Sicherheit des Anwenders beeinflusst, ist das Überprüfen des zu fällenden Baumes auf beschädigte oder abgestorbene Äste, die den

Anwender während der Fällarbeit verletzen können, wenn sie abbrechen.

Es ist absolut zu vermeiden, dass der fallende Baum sich in einem anderen Baum verfängt. Es ist sehr gefährlich, einen Baum zu entfernen, der sich beim Fällen verfangen hat. Es besteht sehr große Unfallgefahr. Siehe die Anweisungen unter der Überschrift Vorgehen bei einer mißglückten Fällung. (81)

WICHTIG! Bei gefährlichen Arbeitsmomenten beim Fällen sollten die Gehörschützer direkt nach Beendigung des Sägevorgangs hochgeklappt werden, damit Geräusche und Warnsignale wahrgenommen werden können.

Entfernen von Ästen im unteren Stammbereich und Rückzugsweg

Den Stamm bis auf Schulterhöhe entasten. Dabei ist es am sichersten, von oben nach unten zu arbeiten und den Stamm zwischen Körper und Motorsäge zu haben. (82)

Unterholz rund um den Baum entfernen und auf evtl. Hindernisse achten (Steine, Äste, Löcher usw.), so dass ein leichter Rückzugsweg gesichert ist, wenn der Baum zu fallen beginnt. Der Rückzugsweg sollte etwa 135° schräg hinter der geplanten Fällrichtung des Baumes liegen. (83)

- 1 Gefahrenbereich
- 2 Rückzugsweg
- 3 Fällrichtung

Fällen



WARNUNG! Wir raten unerfahrenen Anwendern davon ab, einen Baumstamm mit einer Schienenlänge zu fällen, die kleiner ist als der Stammdurchmesser!

Gefällt wird mit drei Sägeschnitten. Zuerst wird eine Kerbe geschnitten, d.h. ein Schnitt von oben und ein Schnitt von unten, dann wird der eigentliche Fällschnitt gesägt. Wenn diese Sägeschnitte richtig ausgeführt werden, kann man die Fällrichtung sehr genau bestimmen.

Kerbe

Beim Schneiden einer Kerbe mit dem Sägeschnitt von oben beginnen. An der Fällrichtungsmarkierung der Säge (1) ein entferntes Ziel im Gelände anvisieren, wo der Baum fallen soll (2). Rechts vom Baumstamm, hinter der Säge stehen und mit ziehender Kette sägen.

Dann einen Sägeschnitt von unten machen, der genau auf den Sägeschnitt von oben trifft. (84)

Die Schnitttiefe der Kerbe soll etwa 1/4 des Stammdurchmessers und der Winkel zwischen dem oberen und unteren Schnitt mindestens 45° betragen.

Der Schnittpunkt der beiden Schnitte wird als Kerbschnittlinie bezeichnet. Die Kerbschnittlinie soll exakt horizontal verlaufen und gleichzeitig einen rechten Winkel (90°) zur Fallrichtung bilden. (85)

Fällschnitt

Der Fällschnitt wird von der anderen Seite des Stammes ausgeführt und muss absolut horizontal verlaufen. Links vom Baumstamm stehen und mit ziehender Kette sägen.

Den Fällschnitt etwa 3-5 cm (1,5-2 Zoll) oberhalb der Horizontalebene des Kerbschnitts anbringen. (86)

Die Rindenstütze (falls montiert) hinter dem Brechmaß ansetzen. Mit Vollgas sägen und mit der Sägekette/ Führungsschiene langsam in den Baumstamm schneiden. Aufpassen, ob sich der Baumstamm entgegenesetzt zur Fällrichtung bewegt. Einen Fällkeil oder einen Fällheber in den Fällschnitt schieben, sobald die Schnitttiefe dies gestattet.

Der Fällschnitt soll parallel zur Kerbschnittlinie abschließen, so dass der Abstand zwischen beiden Schnitten mindestens 1/10 des Stammdurchmessers beträgt. Der nicht durchgesägte Teil des Stamm wird als Brechmaß bezeichnet.

Das Brechmaß funktioniert wie ein Scharnier, das die Richtung des fallenden Baumstamms bestimmt. (87)

Man verliert völlig die Kontrolle über die Fallrichtung des Baumes, wenn das Brechmaß zu klein oder durchgesägt ist oder wenn Kerb- und Fällschnitt an falscher Stelle ausgeführt wurden. (88)

Wenn Kerb- und Fällschnitt ausgeführt sind, soll der Baum von selbst oder mit Hilfe von Fällkeil oder Fällheber fallen. (89)

Wir empfehlen eine Führungsschiene Länge zu benutzen, die größer ist als der Stammdurchmesser, sodass Kerb- und Fällschnitt mit einem sog. einfachen Sägeschnitt ausgeführt werden können. Siehe die Anweisungen unter der Überschrift Technische Daten hinsichtlich der Schienenlängen, die für Ihr Motorsägenmodell empfohlen werden.

Es gibt Methoden zum Fällen von Bäumen, deren Stammdurchmesser größer ist als die Führungsschiene Länge. Bei solchen Methoden besteht große Gefahr, dass der Rückschlagbereich der Führungsschiene mit einem Gegenstand in Berührung kommt. (4)

Vorgehen bei einer mißglückten Fällung

Herunterholen eines gefällten und festgeklebten Baumstamms

Es ist sehr gefährlich, einen Baum zu entfernen, der sich beim Fällen verfangen hat. Es besteht sehr große Unfallgefahr.

Niemals den Baum sägen, auf den sich ein anderer gefällter Baum stützt.

Niemals im Gefahrenbereich von hängenden, festgeklebten Bäumen arbeiten. (90)

Am sichersten ist die Benutzung einer Winde.

- Am Traktor
- Tragbar

Sägen in Baumstämmen und Ästen, die unter Spannung stehen

Vorbereitungen: Versuchen Sie herauszufinden, in welche Richtung die Spannung wirkt und wo die Bruchstelle liegt (= die Stelle, an der das Holz brechen würde, wenn die Spannung zusätzlich erhöht würde). (91)

Überlegen Sie, wie die Spannung am sichersten beseitigt werden kann, und ob Sie dies schaffen. Ist die Situation zu kompliziert, gibt es nur eine sichere Methode nämlich anstelle der Motorsäge eine Winde zu benutzen.

Allgemein gilt:

Stellen Sie sich an eine Stelle, an der Sie nicht Gefahr laufen, getroffen zu werden, wenn der Baumstamm/Ast von der Spannung befreit wird. (92)

Machen Sie einen oder mehrere Sägeschnitte an oder in der Nähe der Bruchstelle. So tief sägen und so viele Schnitte machen wie erforderlich sind, um die Spannung im Baumstamm/Ast so zu lösen, dass der Baumstamm/Ast an der Bruchstelle bricht. (93)

Einen Baumstamm, der unter Spannung steht, nie ganz durchsägen!

Muss der Baum/Ast durchsägt werden, sind zwei oder drei Schnitte im Abstand von 3 cm und mit einer Tiefe von 3-5 cm vorzunehmen. (94)

Fortfahren und tiefer sägen, bis sich die Spannung und Verklemmung des Baums/Astes löst. (95)

Ist die Spannung gelockert, den Baum/Ast von der gegenüberliegenden Seite sägen.

Vorbeugende Maßnahmen gegen Rückschlag



WARNUNG! Ein Rückschlag kann blitzschnell, plötzlich und sehr kraftvoll auftreten. Motorsäge, Führungsschiene und Sägekette können auf den Anwender zu geschleudert werden. Ist die Sägekette in Bewegung, wenn sie den Anwender trifft, können schwere und sogar lebensgefährliche Verletzungen verursacht werden. Deshalb ist es wichtig zu wissen, wie ein Rückschlag verursacht wird, und wie er durch Vorsicht und die richtige Sägetechnik vermieden werden kann.

Was ist ein Rückschlag?

Rückschlag ist die Bezeichnung für eine plötzliche Reaktion, bei der Motorsäge und Führungsschiene von einem Gegenstand zurückprallen, der mit einem Teilstück der Führungsschienenspitze in Berührung gekommen ist, dem sogenannten Rückschlagbereich. (66)

Ein Rückschlag ist immer in Richtung der Führungsschiene gerichtet. Am häufigsten erfolgt der Stoß von Motorsäge und Führungsschiene nach oben und nach hinten zum Anwender. Rückschläge erfolgen

aber auch in andere Richtungen, je nachdem in welcher Stellung sich die Motorsäge in dem Augenblick befindet, in dem der Rückschlagbereich mit einem Gegenstand in Berührung kommt. (7)

Ein Rückschlag kann nur eintreffen, wenn der Rückschlagbereich einen Gegenstand berührt. (4)

Entasten



WARNUNG! Die meisten Rückschlagunfälle ereignen sich beim Entasten. Nicht den Rückschlaggefahrsektor der Führungsschiene nutzen! Äußerst vorsichtig vorgehen und vermeiden, dass die Führungsschienenspitze in Kontakt mit dem Stamm, anderen Ästen oder Gegenständen kommt. Äußerst vorsichtig vorgehen bei unter Spannung stehenden Ästen. Sie können zurückfedern und dazu führen, dass der Bediener die Kontrolle verliert und sich verletzt.

Sorgen Sie dafür, dass Sie sicher gehen und stehen können! Arbeiten Sie von der linken Seite des Stammes aus. Arbeiten Sie so nahe wie möglich an der Motorsäge, dann haben Sie die beste Übersicht. Nach Möglichkeit soll das Gewicht der Säge auf dem Stamm ruhen.

Ändern Sie Ihren Standort nur, wenn sich der Stamm zwischen Ihnen und der Motorsäge befindet.

Ablängen des Stammes in Stammabschnitte

Siehe die Anweisungen unter der Überschrift Grundlegende Sägetechnik.

Allgemeines

Der Bediener darf nur die Wartungs- und Servicearbeiten ausführen, die in dieser Bedienungsanleitung beschrieben sind. Größere Eingriffe sind von einer autorisierten Servicewerkstatt auszuführen.

Vergasereinstellung

Ihr Husqvarna-Produkt wurde gemäß Spezifikationen zur Reduzierung schädlicher Abgase konstruiert und hergestellt.

Funktion

- Die Motordrehzahl wird mit Hilfe des Gashebels über den Vergaser geregelt. Im Vergaser werden Luft und Kraftstoff gemischt. Dieses Kraftstoff-Luft-Gemisch ist regulierbar. Nur bei korrekter Einstellung erbringt das Gerät die volle Leistung.
- Mit der Schraube T wird die Position des Gashebels im Leerlauf geregelt. Durch Drehen der Schraube im Uhrzeigersinn wird eine höhere Leerlaufdrehzahl eingestellt, durch Drehen gegen den Uhrzeigersinn eine niedrigere.

Grundeinstellung und Einfahren

Die Grundeinstellung des Vergasers wird beim Probelauf im Werk vorgenommen. Die Feineinstellung ist von einer dafür ausgebildeten, fachkundigen Person auszuführen.

Empf. Leerlaufdrehzahl: Siehe das Kapitel Technische Daten.

Feineinstellung des Leerlaufs

Den Leerlauf mit der Schraube T einstellen. Falls eine Einstellung notwendig ist, bei laufendem Motor die Schraube T im Uhrzeigersinn drehen, bis die Kette mitläuft. Dann wieder herausdrehen (gegen den Uhrzeigersinn), bis die Kette still steht. Die Leerlaufdrehzahl ist richtig eingestellt, wenn der Motor in allen Positionen gleichmäßig läuft und noch eine gute Spanne bis zu der Drehzahl besteht, bei der sich die Kette zu drehen beginnt.



WARNUNG! Wenn sich die Leerlaufdrehzahl nicht so einstellen lässt, dass die Kette stehenbleibt, eine Servicewerkstatt aufsuchen. Die Motorsäge erst wieder verwenden, wenn sie korrekt eingestellt oder repariert worden ist.

Richtig eingestellter Vergaser

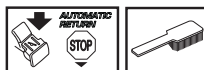
Mit korrekt eingestelltem Vergaser beschleunigt die Maschine, ohne zu zögern, und läuft bei Vollgas etwas im Viertakt. Außerdem darf sich die Kette im Leerlauf nicht drehen. Eine zu mager eingestellte L-Düse kann Startschwierigkeiten und eine schlechte Beschleunigung verursachen. Bei zu mager eingestellter H-Düse verschlechtern sich Leistung und Beschleunigung, und es können Motorschäden entstehen.

Kontrolle, Wartung und Service der Sicherheitsausrüstung der Motorsäge

Hinweis! Für alle Service- und Reparaturarbeiten am Gerät ist eine spezielle Ausbildung erforderlich. Dies gilt besonders für die Sicherheitsvorrichtungen des Geräts. Besteht das Gerät eine der nachstehend aufgeführten Kontrollen nicht, empfehlen wir, eine Servicewerkstatt aufzusuchen.

Kettenbremse mit Handschutz

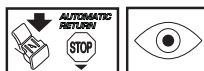
Kontrolle der Bremsbandabnutzung



Reinigen Sie die Kettenbremse und Kupplungstrommel von Spänen, Harz und Schmutz. Verschmutzung und Abnutzung beeinträchtigen die Bremsfunktion. (96)

Regelmäßig kontrollieren, ob die Bremsbanddicke an der am stärksten abgenutzten Stelle noch mindestens 0,6 mm beträgt.

Kontrolle des Handschutzes



Kontrollieren, ob der Handschutz unbeschädigt ist, er darf keine sichtbaren Defekte wie z.B. Risse aufweisen.

Den Handschutz nach vorn und wieder zurück führen, um zu kontrollieren, ob er sich leicht bewegen lässt und an seinem Gelenk im Kupplungsdeckel fest verankert ist.

Kontrolle der Trägheitsfunktion



Die Motorsäge mit abgeschaltetem Motor über einen Baumstumpf oder einen anderen stabilen Gegenstand halten. Vorderen Handgriff loslassen und die Motorsäge durch ihr eigenes Gewicht auf den Baumstumpf fallen lassen, mit einer Drehung um den hinteren Handgriff. (97)

Wenn die Schienenspitze den Stubben trifft, soll die Bremse auslösen. (98)

Kontrolle der Bremswirkung

Die Motorsäge auf stabilem Untergrund abstellen und starten. Dafür sorgen, dass die Sägekette nicht mit dem Erdboden oder einem anderen Gegenstand in Berührung kommt. Siehe die Anweisungen unter der Überschrift Starten und Stoppen. (99)

Halten Sie die Motorsäge mit festem Griff, in dem Sie die Handgriffe fest mit Daumen und Fingern umschließen.

Geben Sie Vollgas und betätigen Sie die Kettenbremse, in dem Sie das linke Handgelenk gegen den Handschutz drehen. Lassen Sie den vorderen Handgriff nicht los. Die Kette soll sofort stoppen. (58)

Gashebelsperre



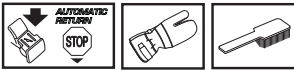
- Kontrollieren, ob der Gashebel in Leerlaufstellung gesichert ist, wenn sich die Gashebelsperre in Ausgangsstellung befindet. **(100)**
- Die Gashebelsperre eindrücken und kontrollieren, ob sie in die Ausgangsstellung zurückkehrt, wenn sie losgelassen wird. **(101)**
- Kontrollieren, ob Gashebel und Gashebelsperre mit dem dazugehörigen Rückzugfedersystem leicht funktionieren. **(102)**
- Die Motorsäge starten und Vollgas geben. Gashebel loslassen und kontrollieren, ob die Kette stoppt und still stehenbleibt. Dreht sich die Kette, wenn der Gashebel in Leerlaufstellung steht, muss die Leerlaufstellung des Vergasers kontrolliert werden.

Kettenfänger



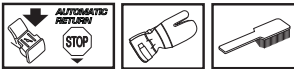
Kontrollieren, ob der Kettenfänger unbeschädigt ist und im Motorsägenkörper fest sitzt. **(103)**

Rechtshandschutz



Kontrollieren, ob der Rechtshandschutz sich in einwandfreiem Zustand befindet und keine sichtbaren Defekte wie z.B. Risse aufweist. **(11)**

Antivibrationssystem



Die Antivibrationselemente regelmäßig auf Risse und Verformungen überprüfen. Kontrollieren, ob die Antivibrationselemente zwischen Motoreinheit und Handgriffeinheit fest verankert sind. **(104)**

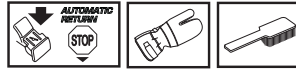
Stopschalter



Den Motor starten und kontrollieren, ob der Motor stoppt, wenn der Stopschalter in Stoppstellung geführt wird. **(59)**

ACHTUNG! Der Start/Stopschalter geht automatisch in die Betriebsposition zurück. Um ein ungewolltes Starten zu vermeiden, muss bei Montage, Kontrolle und/oder Wartung daher stets die Zündkappe von der Zündkerze entfernt werden.

Schalldämpfer



Niemals ein Gerät mit defektem Schalldämpfer benutzen. Regelmäßig kontrollieren, ob der Schalldämpfer fest am Gerät montiert ist. **(105)**

Bestimmte Schalldämpfer sind mit einem speziellen Funkenfangnetz ausgestattet. Ist Ihr Gerät mit einem derartigen Schalldämpfer ausgestattet, so ist das Netz einmal wöchentlich zu säubern. Dies geschieht am besten mit einer Stahlbürste. Bei Verstopfung des Netzes läuft der Motor heiß, was schwere Motorschäden zur Folge haben kann.

Hinweis! Weist das Netz Schäden auf, muss es ausgewechselt werden. Bei verschmutztem Netz wird das Gerät überhitzt, was zu Schäden an Zylinder und Kolben führt. Verwenden Sie Ihr Gerät nicht, wenn der Schalldämpfer in schlechtem Zustand ist. **Benutzen Sie keinen Schalldämpfer ohne oder mit defektem Funkenfangnetz. (13)**

Der Schalldämpfer hat die Aufgabe, den Schallpegel zu dämpfen und die Abgase vom Anwender wegzuleiten. Die Abgase sind heiß und können Funken enthalten, die einen Brand verursachen können, wenn die Abgase auf trockenes und brennbares Material gerichtet werden.

Startvorrichtung



WARNUNG! Die Rückzugfeder liegt vorgespannt im Startergehäuse und kann bei unvorsichtiger Handhabung herauschnellen und Verletzungen verursachen.

Beim Austausch von Startfeder oder Startseil große Vorsicht walten lassen. Schutzbrille und Schutzhandschuhe tragen.

Startseil austauschen



- Die Befestigungsschrauben, durch die die Startvorrichtung am Kurbelgehäuse befestigt ist, lösen, und die Startvorrichtung abnehmen. **(106)**
- Das Seil etwa 30 cm herausziehen und in die Aussparung in der Außenkante der Seilrolle ziehen. Die Rückzugfeder durch langsames Rückwärtsdrehen der Rolle nullstellen. **(107)**
- Die Schraube in der Mitte der Seilrolle lösen und Mitnehmerfeder (A), Mitnehmerfeder (B) und Seilrolle (C) entfernen. Ein neues Startseil einziehen und in der Rolle befestigen. Etwa 3 Wicklungen um die Seilrolle legen. Die Seilrolle so gegen die Rückzugfeder (D) montieren, dass das Ende der Rückzugfeder in der Seilrolle eingehakt ist. Anschließend Mitnehmerfeder, Mitnehmerdreh und

WARTUNG

Schraube in der Mitte der Seilrolle montieren. Das Startseil durch das Loch in Startergehäuse und Startgriff ziehen. Dann das Seil mit einem festen Knoten sichern. (108)

Spannen der Rückzugfeder

- Startseil aus der Aussparung in der Seilrolle herausnehmen und die Seilrolle etwa 2 Umdrehungen (im Uhrzeigersinn) drehen.

Hinweis! Kontrollieren, ob sich die Seilrolle noch mindestens 1/2 Umdrehung drehen lässt, wenn das Startseil ganz herausgezogen ist. (109)

Das Seil mit dem Handgriff spannen. Daumen wegnehmen und Seil loslassen. Siehe Abbildung. (110)

Austausch von Rückzug- und Mitnehmerfeder



Rückzugfeder (A)

- Seilrolle herausheben. Siehe die Anweisungen unter der Überschrift Austausch eines gerissenen oder verschlissenen Startseils. Beachten, dass die Rückzugfeder fest gespannt im Gehäuse der Startvorrichtung liegt.
- Die Kassette mit der Rückzugfeder aus der Startvorrichtung demontieren.
- Die Rückzugfeder mit dünnflüssigem Öl schmieren. Die Kassette mit der Rückzugfeder in die Startvorrichtung montieren. Die Seilrolle montieren und die Rückzugfeder spannen.

Mitnehmerfeder (B)

- Die Schraube in der Mitte der Seilrolle lösen und Mitnehmerrad und Mitnehmerfeder entfernen.
- Mitnehmerfeder austauschen und Mitnehmerrad auf der Feder montieren. (111)

Montage der Startvorrichtung

- Vor dem Einbau der Startvorrichtung Startseil herausziehen und die Startvorrichtung gegen das Kurbelgehäuse legen. Danach das Startseil langsam zurücklassen, damit die Starterklinken in die Seilrolle eingreifen.
- Die Befestigungsschrauben der Startvorrichtung fest anziehen.

Luftfilter



Luftfilter regelmäßig von Staub und Schmutz reinigen, zur Vermeidung von:

- Vergaserstörungen
- Startschwierigkeiten
- Leistungsminderung

- Unnötigem Verschleiß der Motorteile.
- Unnormal hohem Kraftstoffverbrauch.
- Vor dem Ausbau des Luftfilters ist der Luftfilterdeckel zu entfernen. Beim Wiedereinbau darauf achten, dass der Luftfilter völlig dicht am Filterhalter anliegt. Filter ausschütteln oder abbürsten. (112)

Eine gründlichere Reinigung erfolgt durch Auswaschen des Filters in Seifenwasser.

Ein Luftfilter, der längere Zeit verwendet wurde, wird nie vollkommen sauber. Der Luftfilter ist daher in regelmäßigen Abständen auszuwechseln. **Beschädigte Filter sind immer auszuwechseln.**

Eine Motorsäge von HUSQVARNA kann mit verschiedenen Luftfiltertypen versehen werden, je nach Arbeitsbedingungen, Wetterlage, Jahreszeit usw. Fragen Sie Ihren Fachhändler um Rat.

Zündkerze



Der Zustand der Zündkerze wird durch folgende Faktoren verschlechtert:

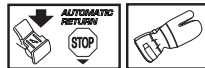
- Falsch eingestellter Vergaser.
- Falsche Ölmenge im Kraftstoff (zuviel Öl oder falsche Ölsorte).
- Verschmutzter Luftfilter.

Diese Faktoren verursachen Beläge an den Elektroden der Zündkerze und können somit zu Betriebsstörungen und Startschwierigkeiten führen.

Bei schwacher Leistung, wenn das Gerät schwer zu starten ist oder im Leerlauf ungleichmäßig läuft, immer zuerst die Zündkerze prüfen, bevor andere Maßnahmen eingeleitet werden. Ist die Zündkerze verschmutzt, so ist sie zu reinigen; gleichzeitig ist zu prüfen, ob der Elektrodenabstand 0,5 mm beträgt. Die Zündkerze ist nach ungefähr einem Monat in Betrieb oder bei Bedarf öfter auszuwechseln. (113)

Hinweis! Stets den vom Hersteller empfohlenen Zündkerzentyp verwenden! Eine ungeeignete Zündkerze kann Kolben und Zylinder zerstören. Dafür sorgen, dass die Zündkerze eine sog. Funkenstörung hat.

Schmierung des Nadellagers



Die Kupplungsstrommel ist mit einem Nadellager an der Abtriebswelle versehen. Dieses Nadellager ist regelmäßig zu schmieren.

Zum Schmieren den Kupplungsdeckel durch Lösen der beiden Führungsschienenmuttern ausbauen. Die Säge mit der Kupplungsstrommel auf die Seite legen.

Zum Schmieren Motoröl in die Mitte der Kupplungsstrommel tropfen, dabei die Kupplungsstrommel drehen. (114)

Kühlsystem



Damit die Betriebstemperatur so niedrig wie möglich bleibt, ist das Gerät mit einem Kühlsystem ausgestattet.

Das Kühlsystem besteht aus folgenden Komponenten:

- 1 Lufteinlass in der Startvorrichtung.
- 2 Luftleitblech.
- 3 Gebläseflügel des Schwungrads.
- 4 Kühlrippen des Zylinders.
- 5 Zylinderdeckel (leitet die Kühlluft zum Zylinder). (115)

Das Kühlsystem einmal pro Woche mit einer Bürste reinigen, bei schwierigen Verhältnissen öfter. Eine Verschmutzung oder Verstopfung des Kühlsystems führt zur Überhitzung des Gerätes, die Schäden an Zylinder und Kolben zur Folge haben kann.

Zentrifugalreinigung "Air Injection"

Unter Zentrifugalreinigung ist Folgendes zu verstehen: Die ganze Luft zum Vergaser kommt durch die Startvorrichtung. Schmutz und Staub werden vom Kühlgebläse abzentrifugiert. (116)

WICHTIG! Um die Funktion der Zentrifugalreinigung aufrecht zu erhalten, muss diese regelmäßig gewartet und gepflegt werden. Den Lufteinlass der Startvorrichtung, die Gebläseflügel des Schwungrads, den Raum um das Schwungrad, das Ansaugrohr und den Vergaserraum reinigen.

Benutzung im Winter

Beim Einsatz der Maschine bei Kälte und Schnee können Betriebsstörungen auftreten, die folgende Ursachen haben können:

- Zu niedrige Motortemperatur.
- Eisbildung am Luftfilter sowie Einfrieren des Vergasers.

Es sind daher oft besondere Maßnahmen erforderlich:

- Die Luftzufuhr zur Startvorrichtung verringern; dadurch erhöht sich die Betriebstemperatur des Motors.

Bei Temperaturen von -5°C oder kälter:



Für den Betrieb bei strenger Kälte oder bei Pulverschnee gibt es einen speziellen Deckel zur Montage am Startergehäuse. Dieser vermindert die Kühlluft und verhindert das Einsaugen größerer Schneemengen. (117)

ACHTUNG! Ist ein spezieller Wintersatz montiert oder wurden temperatursteigernde Maßnahmen vorgenommen, so müssen diese Modifikationen vor der Anwendung bei normalen Temperaturen wieder rückgängig gemacht werden. Ansonsten besteht die Gefahr, dass das Gerät überhitzt wird, was schwere Motorschäden verursachen kann.

WICHTIG! Alle Wartungsmaßnahmen, die in dieser Anweisung nicht erwähnt sind, müssen von einem Service-Fachhändler ausgeführt werden.

WARTUNG

Wartungsschema

Nachstehend sind die an der Maschine vorzunehmenden Wartungsmaßnahmen aufgelistet. Die meisten der Punkte werden im Abschnitt "Wartung" beschrieben.

Tägliche Wartung	Wöchentliche Wartung	Monatliche Wartung
Das Gerät äußerlich reinigen.	Überprüfen Sie das Kühlsystem einmal pro Woche.	Bremsband an der Kettenbremse auf Verschleiß kontrollieren. Austauschen, wenn weniger als 0,6 mm an der am stärksten verschlissenen Stelle vorhanden ist.
Die Bestandteile des Gashebels Teile auf Funktionssicherheit prüfen. (Gassperre und Gashebel).	Startvorrichtung, Startseil und Rückzugfeder kontrollieren.	Kupplungszentrum, Kupplungstrommel und Kupplungsfeder auf Verschleiß überprüfen.
Kettenbremse reinigen und auf Funktionssicherheit prüfen. Den Kettenfänger auf Beschädigungen hin kontrollieren, bei Bedarf austauschen.	Sicherstellen, dass die Dämpfungselemente nicht beschädigt sind.	Zündkerze reinigen. Elektrodenabstand prüfen und ggf. auf 0,5 mm einstellen.
Regelmäßiges Wenden der Führungsschiene sorgt für gleichmäßigeren Verschleiß. Sicherstellen, dass das Schmierungsloch in der Schiene nicht verstopft ist. Kettennut reinigen.	Lager der Kupplungstrommel schmieren.	Vergaser äußerlich reinigen.
Kontrollieren, ob Schiene und Kette ausreichend mit Öl versorgt werden.	Falls erforderlich, Grate an den Schienenseiten planfeilen.	Kraftstofffilter und -schlauch kontrollieren. Bei Bedarf austauschen.
Die Sägekette in Bezug auf sichtbare Risse in Nieten und Gliedern untersuchen, ob die Kette steif ist oder Nieten und Glieder außergewöhnlichen Verschleiß aufweisen. Bei Bedarf austauschen.	Das Funkenfängernetz des Schalldämpfers reinigen oder austauschen.	Kraftstofftank leeren und innen reinigen.
Kette schärfen und auf Spannung und Zustand prüfen. Kettenantriebsrad auf Verschleiß kontrollieren, bei Bedarf austauschen.	Vergaserraum reinigen.	Öltank leeren und innen reinigen.
Den Lufteinlass der Startvorrichtung reinigen.	Luftfilter reinigen. Bei Bedarf austauschen.	Alle Kabel und Anschlüsse kontrollieren.
Schrauben und Muttern nachziehen.		
Die Funktion des Stoppschalters kontrollieren.		
Sicherstellen, dass von Motor, Tank oder Kraftstoffleitungen kein Kraftstoff ausläuft.		
Kontrollieren, ob die Kette nicht rotiert, wenn der Motor im Leerlauf ist.		

TECHNISCHE DATEN

Technische Daten

	435 II	435e II	440 II	440e II
Motor				
Hubraum, cm ³	40,9	40,9	40,9	40,9
Bohrung, mm	41	41	41	41
Hublänge, mm	31	31	31	31
Leerlaufdrehzahl, U/min	2900	2900	2900	2900
Leistung, kW/ U/min	1,6/9000	1,6/9000	1,8/9000	1,8/9000
Zündanlage				
Zündkerze	NGK BPMR 7A/ Champion RCJ 7Y	NGK BPMR 7A/ Champion RCJ 7Y	NGK BPMR 7A/ Champion RCJ 7Y	NGK BPMR 7A/ Champion RCJ 7Y
Elektrodenabstand, mm	0,5	0,5	0,5	0,5
Kraftstoff- und Schmiersystem				
Kraftstofftank, Volumen, Liter	0,37	0,37	0,37	0,37
Leistung der Ölpumpe bei 9000 U/min, ml/min	13	13	13	13
Öltank, Volumen, Liter	0,25	0,25	0,25	0,25
Ölpumpe, Typ	Automatisch	Automatisch	Automatisch	Automatisch
Gewicht				
Motorsäge ohne Führungsschiene und Kette und mit leeren Tanks, kg	4,2	4,4	4,2	4,4
Geräuschemissionen (siehe Anmerkung 1)				
Gemessene Schalleistung dB(A)	112	112	113	113
Garantierte Schalleistung L _{WA} dB(A)	114	114	114	114
Lautstärke (siehe Anmerkung 2)				
Äquivalenter Schalldruckwert am Ohr des Bedieners, dB (A)	102	102	102	102
Äquivalente Vibrationspegel, a_{hveq} (siehe Anmerkung 3)				
Vorderer Handgriff, m/s ²	2,5	2,5	2,5	2,5
Hinterer Handgriff, m/s ²	3,2	3,2	3,2	3,2
Kette und Schiene				
Standard-Führungsschiene, Zoll/cm	13"/33	13"/33	13/33	13"/33
Empfohlene Schienenlängen, Zoll/cm	13-18/33-45	13-18/33-45	13-18/33-45	13-18/33-45
Effektive Schnittlänge, Zoll/cm	12-17/31-43	12-17/31-43	12-17/31-43	12-17/31-43
Teilung, Zoll/mm	0,325/8,25	0,325/8,25	0,325/8,25	0,325/8,25
Dicke der Treibglieder, Zoll/mm	0,050/1,3	0,050/1,3	0,050/1,3	0,050/1,3
Antriebsradtyp/Anzahl Zähne	Spur/7	Spur/7	Spur/7	Spur/7
Kettengeschwindigkeit bei 133 % der maximalen Motorleistung, m/s.	23,1	23,1	23,1	23,1

Anmerkung 1: Umweltbelastende Geräuschemission gemessen als Schalleistung (L_{WA}) gemäß EG-Richtlinie 2000/14/EG.

Anmerkung 2: Äquivalenter Schalldruckpegel, nach der ISO-Norm ISO 22868, werden berechnet als die zeitgewichtete energetische Summe der Schalldruckpegel bei verschiedenen Betriebsarten. Die typische Ausbreitungsklasse für einen äquivalenten Schalldruckpegel ist eine standardmäßige Ausbreitung von 1 dB (A).

Anmerkung 3: Äquivalenter Vibrationspegel, nach der ISO-Norm ISO 22867, werden berechnet als die zeitgewichtete energetische Summe der Vibrationspegel bei verschiedenen Betriebsarten. Berichten zufolge liegt der äquivalente Vibrationspegel normalerweise bei einer Ausbreitungsklasse (Standardabweichung) von 1 m/s².




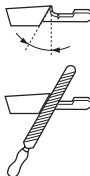

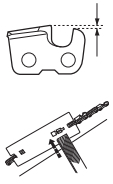
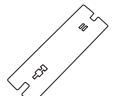
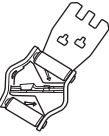
TECHNISCHE DATEN

Führungsschienen- und Kettenkombinationen

Die nachfolgend aufgeführten Schneidausrüstungen werden für die Modelle Husqvarna 435 II, 435e II, 440 II und 440e II empfohlen.

Führungsschiene				Sägekette	
Länge, Zoll	Teilung, Zoll	Nutbreite, mm	Max. Anzahl Zähne des Umlenksterns	Typ	Länge, Treibglieder (st)
13	0,325	1,3	10T	Husqvarna H30	56
15					64
16					66
18					72

Feilen und Schärfler der Sägekette

							
	inch/mm				inch/mm		
H30	3/16 / 4,8	85°	30°	10°	0,025 / 0,65	5056981-00	5056981-08

EG-Konformitätserklärung

(nur für Europa)

Wir, **Husqvarna AB**, SE-561 82 Huskvarna, Schweden, Tel. +46-36-146500, erklären hiermit unsere alleinige Haftung dafür, dass die Motorsägen für forsttechnische Anwendungen der Modelle **Husqvarna 435 II, 435e II, 440 II und 440e II**, auf die sich diese Erklärung bezieht, von den Seriennummern des Baujahrs 2013 an (die Jahreszahl wird im Klartext auf dem Typenschild angegeben, mitsamt einer nachfolgenden Seriennummer) den Vorschriften folgender RICHTLINIE DES RATES entsprechen:

- vom 17. Mai 2006 „Maschinen-Richtlinie“ **2006/42/EG**.
- vom 15. Dezember 2004 "über elektromagnetische Verträglichkeit" **2004/108/EWG**.
- vom 8. Mai 2000 "über umweltbelastende Geräuschemissionen von zur Verwendung im Freien vorgesehenen Geräten und Maschinen" **2000/14/EG**.

Für Information betreffend die Geräuschemissionen, siehe das Kapitel Technische Daten. Folgende Normen wurden angewendet: **EN ISO 12100:2010, ISO 14982:2009, EN ISO 11681-1:2011**

Die angemeldete Prüfstelle: **0404, SMP Svensk Maskinprovning AB**, Box 7035, SE-750 07 Uppsala, Schweden, hat die EG-Typenprüfung gemäß Artikel 12, Punkt 3b der Maschinen-Richtlinie (2006/42/EG) ausgeführt. Die Prüfnachweise über die EG-Typenprüfung gemäß Anlage IX haben die Nummern: **0404/09/2012 - 435 II, 435e II, 440 II, 440e II**.

Weiterhin hat SMP Svensk Maskinprovning AB, Box 7035, SE-750 07 Uppsala, Schweden, die Übereinstimmung mit der Anlage V zur Richtlinie des Rates vom 8. Mai 2000 "über umweltbelastende Geräuschemissionen von zur Verwendung im Freien vorgesehenen Geräten und Maschinen" 2000/14/EG bestätigt. Die Prüfzertifikate haben die Nummern: **01/161/075 - 435 II, 435e II, 01/161/074 - 440 II, 440e II**.

Die gelieferte Motorsäge entspricht dem Exemplar, das der EG-Typenprüfung unterzogen wurde.

Husqvarna, den 8. April 2013



Bengt Frögelius, Entwicklungsleiter Motorsäge (Bevollmächtigter Vertreter für Husqvarna AB, verantwortlich für die technische Dokumentation.)

VERKLARING VAN DE SYMBOLEN

Symbolen op de machine:

WAARSCHUWING! Motorkettingzagen kunnen gevaarlijk zijn! Slordig of onjuist gebruik kan resulteren in ernstig letsel of overlijden van de gebruiker of anderen.

Neem de gebruiksaanwijzing grondig door en gebruik de machine niet voor u alles duidelijk heeft begrepen.

Draag altijd:

- Goedgekeurde veiligheidshelm
- Goedgekeurde gehoorbeschermers
- Veiligheidsbril of vizier

Dit product voldoet aan de geldende CE-richtlijnen.

Geluidsemisatie naar de omgeving volgens de richtlijnen van de Europese Gemeenschap. De emissie van de machine wordt aangegeven in het hoofdstuk Technische gegevens en op plaatjes.

Ontsteking; choke: Zet de chokehendel in de chokestand. De stopschakelaar zal dan automatisch in de startpositie worden gezet.

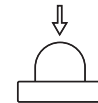
Brandstof bijvullen.

Zaagkettingolie aanbrengen.

Brandstofpomp

Het instellen van de oliepomp.

Kettingrem geactiveerd (rechts)
Kettingrem, niet geactiveerd (links)



Symbolen in de gebruiksaanwijzing:

Controle en/of onderhoud moeten worden uitgevoerd als de motor uit staat. N.B.! De start/stopknop gaat automatisch terug naar bedrijfsstand. Om een onbedoelde start te voorkomen, moet daarom altijd het ontstekingsmechanisme van de bougie worden gehaald bij montage, controle en/of onderhoud.

Gebruik altijd goedgekeurde veiligheidshandschoenen.

Moet regelmatig schoongemaakt worden.

Controleer met het blote oog.

Gebruik van veiligheidsbril of vizier verplicht.

Brandstof bijvullen.

Olie bijvullen en afstellen van oliestroom.

De kettingrem moet geactiveerd zijn wanneer u de motorkettingzaag start.

WAARSCHUWING! Er kan terugslag optreden wanneer de punt van het zaagblad in contact komt met een voorwerp en een reactie veroorzaken waardoor het zaagblad omhoog en naar achteren naar de gebruiker toe komt. Dit kan ernstig persoonlijk letsel veroorzaken.



Overige op de machine aangegeven symbolen/
plaatjes verwijzen naar specifieke eisen aan
certificering op bepaalde markten.

Inhoud

VERKLARING VAN DE SYMBOLEN

Symbolen op de machine:	189
Symbolen in de gebruiksaanwijzing:	189

INHOUD

Inhoud	190
--------------	-----

INLEIDING

Beste klant!	191
--------------------	-----

WAT IS WAT?

Wat is wat op de motorkettingzaag?	191
--	-----

ALGEMENE VEILIGHEIDSINSTRUCTIES

Maatregelen voor gebruik van een nieuwe motorkettingzaag	192
Belangrijk	193
Gebruik altijd uw gezond verstand	193
Persoonlijke veiligheidsuitrusting	193
Veiligheidsuitrusting van de machine	194
Snijuitrusting	196

MONTEREN

Monteren van zaagblad en ketting	200
--	-----

BRANDSTOFHANTERING

Brandstof	201
Tanken	202
Brandstofveiligheid	202

STARTEN EN STOPPEN

Starten en stoppen	203
--------------------------	-----

ARBEIDSTECHNIEK

Voor ieder gebruik:	205
Algemene werkinstructies	205
Maatregelen die terugslag voorkomen	209

ONDERHOUD

Algemeen	210
Carburateurinstelling	210
Controle, onderhoud en service van de veiligheidsuitrusting van de motorkettingzaag	210
Geluiddemper	211
Starter	211
Luchtfilter	212
Bougie	212
Naaldlager smeren	212
Koelsysteem	213
Centrifugaal reinigen "Air Injection"	213
Gebruik in de winter	213
Onderhoudsschema	214

TECHNISCHE GEGEVENS

Technische gegevens	215
Zaagblad- en kettingcombinaties	216
Vijlen en vijlmallen van de zaagketting	216
EG-verklaring van overeenstemming	216

INLEIDING

Beste klant!

Gefeliciteerd met de aankoop van een Husqvarna-product! Husqvarna heeft een geschiedenis die teruggaat tot 1689 toen koning Karl XI aan het strand van het riviertje Huskvarna een fabriek liet bouwen voor de productie van musketten. De locatie aan de Huskvarna was logisch omdat het riviertje werd gebruikt om waterkracht op te wekken en op die manier een waterkrachtcentrale vormde. In de meer dan 300 jaar van het bestaan van de Husqvarna-fabriek zijn ontelbare producten geproduceerd, van houtfornuizen tot moderne keukenmachines, naaimachines, fietsen, motorfietsen enz. In 1956 werd de eerste motormaaier geïntroduceerd, die in 1959 werd gevolgd door een motorkettingzaag. Het is op dit terrein dat Husqvarna tegenwoordig actief is.

Husqvarna is heden ten dage een van de meest vooraanstaande producenten ter wereld van producten voor bos en tuin met kwaliteit en prestatie als de hoogste prioriteit. De missie is het ontwikkelen, produceren en op de markt brengen van gemotoriseerde producten voor bos- en tuinbouw en de bouw- en constructie-industrie. Het doel van Husqvarna is ook voorop te lopen met betrekking tot ergonomie, gebruikersvriendelijkheid, veiligheid en milieubewustzijn. Daarom is een grote hoeveelheid verschillende snuffjes ontwikkeld om de producten op deze terreinen te verbeteren.

We zijn ervan overtuigd dat u de kwaliteit en prestaties van ons product gedurende een lange periode naar volle tevredenheid zult waarderen. Door de aankoop van één van onze producten krijgt u de beschikking over professionele hulp bij reparaties en service mocht er toch iets gebeuren. Wanneer u de machine niet heeft gekocht bij een van onze erkende dealers, kunt u hen vragen naar de dichtstbijzijnde servicewerkplaats.

Wij hopen dat u tevreden zult zijn met uw machine en dat deze u gedurende lange tijd zal vergezellen. Denk erom dat deze gebruiksaanwijzing een waardevol document is. Door de inhoud (gebruik, service, onderhoud enz.) te volgen kunt u de levensduur van uw machine én de tweedehands waarde aanzienlijk verlengen. Mocht u uw machine verkopen moet u ervoor zorgen de gebruiksaanwijzing aan de nieuwe eigenaar over te dragen.

Hartelijk dank voor het feit dat u een Husqvarna-product gebruikt!

Husqvarna AB werkt voortdurend aan het verder ontwikkelen van haar producten en houdt zich dan ook het recht voor om zonder aankondiging vooraf wijzigingen in o.a. vorm en uiterlijk door te voeren.

Wat is wat op de motorkettingzaag? (1)

- 1 Cilinderkap
- 2 Brandstofpomp
- 3 Startherinnering
- 4 Gecombineerde start- en stopknop
- 5 Achterste handvat
- 6 Informatie- en waarschuwingsplaatje
- 7 Brandstoftank
- 8 Stelschroeven carburateur
- 9 Starthendel
- 10 Starter
- 11 Kettingolietank
- 12 Product- en serienummerplaatje
- 13 Velrichtpunt
- 14 Voorste handvat
- 15 Terugschakelbeveiliging
- 16 Geluiddemper
- 17 Ketting
- 18 Neuswiel
- 19 Zaagblad
- 20 Schorssteun
- 21 Kettingvanger
- 22 Kettingspannerschroef (435 II, 440 II)
- 23 Koppelingdeksel (435 II, 440 II)
- 24 Rechterhandbeschermer
- 25 Gashendel
- 26 Gashendelvergrendeling
- 27 Koppelingdeksel (435e II, 440e II)
- 28 Kettingspanwiel
- 29 Knop
- 30 Gebruiksaanwijzing
- 31 Combisleutel
- 32 Zaagbladbeschermer

ALGEMENE VEILIGHEIDSINSTRUCTIES

Maatregelen voor gebruik van een nieuwe motorkettingzaag

- Lees de gebruiksaanwijzing zorgvuldig door.
- (1) - (117) verwijst naar illustraties op blz. 2-6.
- Controleer de montage en de afstelling van de snijuitrusting. Zie de instructies in het hoofdstuk Monteren.
- Tank en start de motorzaag. Zie de instructies in de hoofdstukken Brandstofhantering en Starten en Stoppen.
- Gebruik de motorkettingzaag niet voor er voldoende kettingsmeerolie bij de zaagketting is gekomen. Zie instructies in het hoofdstuk Snijuitrusting.
- Langdurige blootstelling aan lawaai kan leiden tot permanente gehoorbeschadiging. Gebruik daarom altijd goedgekeurde gehoorbescherming.



WAARSCHUWING! De oorspronkelijke vormgeving van de machine mag in geen enkel geval gewijzigd worden zonder toestemming van de fabrikant. Men moet altijd originele onderdelen gebruiken. Niet goedgekeurde wijzigingen en/of niet-originele onderdelen kunnen tot ernstige verwondingen of de dood van zowel gebruiker als omstanders leiden.



WAARSCHUWING! Als motorkettingzagen slordig of verkeerd gebruikt worden, kunnen ze gevaarlijk gereedschap zijn en tot ernstige, zelfs levensgevaarlijke verwondingen leiden. Het is erg belangrijk dat u deze gebruiksaanwijzing leest en begrijpt.



WAARSCHUWING! De binnenkant van de geluiddemper bevat chemicaliën die kankerverwekkend kunnen zijn. Vermijd contact met deze elementen wanneer de carburateur is beschadigd.



WAARSCHUWING! Langdurige inademing van de uitlaatgassen van de motor, kettingolienevel en stof van zaagsel kan een gezondheidsrisico vormen.



WAARSCHUWING! Deze machine produceert tijdens bedrijf een elektromagnetisch veld. Dit veld kan onder bepaalde omstandigheden de werking van actieve of passieve medische implantaten verstoren. Om het risico op ernstig of fataal letsel te beperken, raden we personen met een medisch implantaat aan om contact op te nemen met hun arts en de fabrikant van het medische implantaat voordat ze deze machine gaan bedienen.



WAARSCHUWING! Sta nooit toe dat kinderen de machine gebruiken of in de buurt van de machine zijn. Omdat de machine is uitgerust met een terugverende stopschakelaar en kan worden gestart op lage snelheid en met weinig kracht op de starthandgreep, kunnen zelfs kleine kinderen onder bepaalde omstandigheden de kracht hebben, die nodig is om de machine te starten. Dat kan een risico van ernstig persoonlijk letsel inhouden. Verwijder daarom de bougiekap wanneer de machine niet onder toezicht staat.

ALGEMENE VEILIGHEIDSLINSTRUCTIES

Belangrijk

BELANGRIJK!

Deze motorkettingzaag voor bosbouwtoepassingen is bestemd voor boswerkzaamheden zoals vellen, verwijderen van zijtakken en zagen.

Mogelijk gelden er nationale wettelijke voorschriften die het gebruik van de machine beperken.

U mag alleen de zaagblad/zaagkettingscombinaties gebruiken, die wij aanbevelen in het hoofdstuk Technische gegevens.

Gebruik de machine nooit als u moe bent, alcohol heeft gedronken of medicijnen heeft ingenomen, die uw gezichtsvermogen, beoordelingsvermogen of coördinatievermogen kunnen beïnvloeden.

Draag altijd persoonlijke veiligheidsuitrusting. Zie instructies in het hoofdstuk "Persoonlijke veiligheidsuitrusting".

Wijzig deze machine nooit zo dat hij niet langer overeenstemt met de originele uitvoering, en gebruik de machine niet als u denkt dat anderen hem hebben gewijzigd.

Gebruik nooit een machine die defect is. Voer de in deze handleiding beschreven veiligheidscontroles en de onderhouds- en service-instructies uit. Bepaalde onderhouds- en servicemaatregelen moeten door opgeleide en gekwalificeerde specialisten worden uitgevoerd. Zie de instructies in het hoofdstuk Onderhoud.

Gebruik uitsluitend de in deze gebruiksaanwijzing aanbevolen accessoires. Zie instructies in de hoofdstukken Snijuitrusting en Technische gegevens.

N.B.! Gebruik altijd een beschermingsbril of gezichtsvizier om het risico van verwonding door wegvliegende voorwerpen te verminderen. Een motorzaag is in staat om met grote kracht voorwerpen, zoals zaagsel, kleine stukjes hout enz., weg te slingeren. Dit kan leiden tot ernstig letsel, vooral aan ogen.



WAARSCHUWING! Een motor laten lopen in een afgesloten of slecht geventileerde ruimte kan dodelijke ongelukken veroorzaken door verstikking of koolmonoxidevergiftiging.



WAARSCHUWING! Een verkeerde snijuitrusting of een verkeerde zaagblad/kettingcombinatie verhoogt het risico op terugslag! Gebruik uitsluitend de zaagblad/kettingcombinaties die wij aanbevelen, en volg de vijlinstructie. Zie de instructies in het hoofdstuk Technische gegevens.

Gebruik altijd uw gezond verstand (2)

Het is onmogelijk om alle denkbare situaties, waarvoor u zich geplaatst kunt zien bij het gebruik van een motorzaag, af te dekken. Wees altijd voorzichtig en gebruik gezond verstand. Vermijd situaties, waarvoor u zich niet voldoende gekwalificeerd acht. Wanneer u zich, na het lezen van deze instructies, nog steeds onzeker voelt over de handelwijze, moet u een expert om advies vragen voor u verdergaat. Aarzel niet om contact op te nemen met uw dealer of met ons, wanneer u vragen heeft over het gebruik van motorzagen. We zijn u graag van dienst om u adviezen te geven, die u helpen uw motorzaag op een betere en veiliger manier te gebruiken. Volg een opleiding in het gebruik van motorzagen. Uw dealer, bosbouwschool of uw bibliotheek kunnen u vertellen welk opleidingsmateriaal en welke cursussen beschikbaar zijn. Er wordt voortdurend gewerkt aan het verbeteren van design en techniek - verbeteringen waardoor uw veiligheid en effectiviteit toenemen. Breng regelmatig een bezoek aan uw dealer om te zien welk nut u kunt hebben van de noviteiten die worden geïntroduceerd.

Persoonlijke veiligheidsuitrusting



WAARSCHUWING! Het grootste gedeelte van de ongevallen met motorkettingzagen gebeurt wanneer de ketting de gebruiker raakt. Bij al het gebruik van de machine moet goedgekeurde persoonlijke beschermingsuitrusting gebruikt worden. Persoonlijke beschermingsuitrusting elimineert de risico's niet, maar vermindert het schadelijk effect in geval van een ongeval. Vraag uw dealer om raad wanneer u uw uitrusting koopt.

- Goedgekeurde veiligheidshelm
- Gehoorbeschermers
- Veiligheidsbril of vizier
- Handschoenen met zaagbescherming
- Broeken met zaagbescherming
- Laarzen met zaagbescherming, stalen neus en anti-slip zool
- U moet altijd een EHBO-kit bij de hand hebben.
- Brandblusser en spa

Verder moet de kleding goed aansluiten zonder u in uw bewegingen te belemmeren.

BELANGRIJK! Er kunnen vonken komen van de geluiddemper, zaagblad en ketting of een andere bron. Houd altijd een hulpmiddel voor brandblussen beschikbaar, voor het geval u ze nodig mocht hebben. Op die manier helpt u bosbranden voorkomen.

ALGEMENE VEILIGHEIDSLINSTRUCTIES

Veiligheidsuitrusting van de machine

In dit hoofdstuk wordt uitgelegd wat de veiligheidsonderdelen van de machine zijn, en hun functie. Voor controle en onderhoud zie de instructies in het hoofdstuk Controle, onderhoud en service van de veiligheidsuitrusting van de motorzaag. Zie de instructies in het hoofdstuk Wat is wat?, om te zien waar deze onderdelen zich bevinden op uw machine.

De levensduur van de machine kan worden verkort en het risico van ongelukken kan toenemen wanneer het onderhoud aan de machine niet op de juiste manier wordt uitgevoerd en wanneer service en/of reparaties niet vakkundig worden gedaan. Indien u meer informatie nodig heeft, verzoeken wij u contact op te nemen met de dichtstbijzijnde servicewerkplaats.



WAARSCHUWING! Gebruik de machine nooit wanneer de veiligheidsuitrusting defect is. De veiligheidsuitrusting moet worden gecontroleerd en onderhouden. Zie de instructies in het hoofdstuk Controle, onderhoud en service van de veiligheidsuitrusting van de motorzaag. Als uw machine niet door alle controles komt, moet u ermee naar uw servicewerkplaats voor reparatie.

Kettingrem met terugslagbeveiliging

Uw motorzaag is voorzien van een kettingrem, die de ketting in geval van terugslag stopt. Een kettingrem vermindert het risico op ongevallen, maar alleen u als gebruiker kunt ze voorkomen. (3)

Wees voorzichtig wanneer u de motorkettingzaag gebruikt en zorg ervoor dat de terugslagrisico-sector van het zaagblad nooit in contact komt met een voorwerp. (4)

- De kettingrem (A) wordt of handmatig geactiveerd (via uw linkerhand) of met het traagheidsmechanisme. (5)
- Het activeren vindt plaats wanneer de terugslagbeveiliging (B) naar voren wordt geduwd. (5)
- Deze beweging activeert een met een veer gespannen mechanisme dat de remvoering (C) rond het kettingaandrijvingssysteem van de motor (D) (koppelingtrommel) spant. (6)
- De terugslagbeveiliging werd niet alleen geconstrueerd om de kettingrem te activeren. Een andere belangrijke functie is dat ze het risico vermindert dat de linkerhand de ketting raakt wanneer men de greep op het voorste handvat verliest.
- De kettingrem moet geactiveerd zijn wanneer u de motorzaag start, om te voorkomen dat de ketting draait. (55)
- Gebruik de kettingrem als 'parkeerrem' bij starten en bij kortere verplaatsingen, om ongelukken te voorkomen waarbij gebruikers of omgeving onvrijwillig in contact komen met een bewegende zaagketting. Laat de motorzaag geen lange tijd aan staan wanneer de kettingrem is geactiveerd. De motorzaag kan zeer warm worden.

- De kettingrem wordt vrijgegeven door de terugslagbescherming met het opschrift "PULL BACK TO RESET" in de richting van het voorste handvat te bewegen.
- Een terugslag kan bliksemsnel gebeuren en erg krachtig zijn. Meestal is de terugslag erg licht en wordt de kettingrem niet altijd geactiveerd. In die gevallen is het belangrijk dat men de motorkettingzaag stevig vasthoudt en niet laat vallen.
- Hoe de kettingrem geactiveerd wordt, manueel of via het traagheidsmechanisme, wordt bepaald door de sterkte van de terugslag en door de positie van de motorkettingzaag in verhouding tot het voorwerp waarmee de terugslagrisico-sector in contact komt. Bij hevige terugslag en wanneer de terugslagrisico-sector van de motorkettingzaag zich zo ver mogelijk van de gebruiker bevindt, is de kettingrem zo geconstrueerd, dat hij wordt geactiveerd via het tegenwicht van de kettingrem (traagheid) in de terugslagrichting. (7)
- Bij minder hevige terugslag en wanneer de terugslagrisico-sector van de motorkettingzaag zich dichterbij de gebruiker bevindt, wordt de kettingrem manueel geactiveerd met de linkerhand.
- Bij velstand is de linkerhand in een stand, waardoor het onmogelijk is de kettingrem handmatig te activeren. Bij deze greep, d.w.z. wanneer de linkerhand zo geplaatst is dat ze de beweging van de terugslagbeveiliging niet kan beïnvloeden, kan de kettingrem uitsluitend geactiveerd worden via het traagheidsmechanisme. (8)

Zal mijn hand de kettingrem bij terugslag altijd activeren?

Nee. Er is een zekere kracht voor nodig om de terugslagbeveiliging naar voren te bewegen. Als uw hand de terugslagbeveiliging slechts licht beroert of eroverheen gaat, kan het gebeuren dat de kracht niet voldoende groot is om de kettingrem te activeren. Ook wanneer u werkt, moet u de handgrepen van de motorzaag stevig beet houden. Als u dat doet en u krijgt terugslag, laat u misschien nooit uw hand los van de voorhandgreep en activeert u de kettingrem niet, of de kettingrem wordt pas geactiveerd wanneer de zaag al eventjes heeft kunnen rondslingeren. In zo'n situatie kan het voorkomen dat de kettingrem de ketting niet kan stoppen voor deze u raakt.

Er zijn ook bepaalde werkhoudingen waardoor uw hand niet bij de terugslagbeveiliging kan om de kettingrem te activeren, bijv. wanneer de zaag in velpositie wordt gehouden.

Zal de kettingrem altijd door de traagheid worden geactiveerd, wanneer terugslag optreedt?

Nee. Ten eerste moet uw rem functioneren. Het is makkelijk de rem te testen, zie de instructies in het hoofdstuk Controle, onderhoud en service van de veiligheidsuitrusting van de motorzaag. Wij raden aan dat u dit doet, iedere keer voor u begint te werken. Ten tweede moet de terugslag voldoende sterk zijn om de kettingrem

ALGEMENE VEILIGHEIDSLINSTRUCTIES

te activeren. Als de kettingrem gevoelig zou zijn, zou deze voortdurend worden geactiveerd, wat lastig zou zijn.

Zal de kettingrem me altijd beschermen tegen letsel als terugslag voorkomt?

Nee. Ten eerste moet uw rem functioneren om de bedoelde bescherming te geven. Ten tweede moet hij zo worden geactiveerd als hierboven beschreven, om de zaagketting bij terugslag te stoppen. Ten derde kan de kettingrem worden geactiveerd, maar wanneer het zaagblad te dicht bij u is, kan het gebeuren dat de rem niet op tijd afgeremd is om de ketting te stoppen voor de motorzaag u raakt.

Alleen uzelf en een juiste arbeidstechniek kunnen terugslag en de bijbehorende risico's elimineren.

Gashendelvergrendeling

De gashendelvergrendeling is geconstrueerd om onopzettelijke activering van de gashendel te voorkomen. Wanneer de vergrendeling (A) in het handvat wordt gedrukt (= wanneer men het handvat vasthoudt) wordt de gashendel ontkoppeld (B). Wanneer men het handvat loslaat, gaan zowel de gashendel als de gashendelvergrendeling terug naar hun respectievelijke beginposities. Deze positie houdt in dat de gashendel automatisch vergrendeld wordt op stationair draaien. (9)

Kettingvanger

De kettingvanger is geconstrueerd om een losgeraakte of gebarsten ketting op te vangen. Dit kan meestal voorkomen worden door de ketting juist aan te spannen (zie instructies in het hoofdstuk Monteren) en voor goed onderhoud en service van het zaagblad en de ketting te zorgen (zie de instructies in het hoofdstuk Algemene werkinstructies). (10)

Rechterhandbescherming

De rechterhandbescherming moet er behalve de hand beschermen wanneer de ketting losraakt of breekt, ook voor zorgen dat de takken en twijgen de grip op het achterste handvat niet beïnvloeden. (11)

Trillingdempingssysteem

Uw machine is uitgerust met een trillingdempingssysteem dat geconstrueerd is om zo trillingvrij en comfortabel mogelijk met de zaag te kunnen werken.

Het trillingdempingssysteem van de machine reduceert het overbrengen van de trillingen van de motoreenheid/snijuitrusting op de handvateenheid van de machine. Het motorzaaghuis inclusief de snijuitrusting is via een zogenaamd trillingdempend element opgehangen in de handvateenheid.

Zagen in een harde houtsoort (de meeste loofbomen) veroorzaakt meer trillingen dan zagen in een zachte houtsoort (de meeste naaldbomen). Zagen met een botte of verkeerde snijuitrusting (verkeerd type of verkeerd geslepen) verhoogt het trillingniveau.



WAARSCHUWING! Als men teveel wordt blootgesteld aan trillingen, kan dit tot bloedvat- en zenuwbeschadigingen leiden bij personen die een slechte bloedcirculatie hebben. **Consulteer uw dokter wanneer u symptomen heeft die wijzen op te grote blootstelling aan trillingen. Voorbeelden van zulke symptomen zijn slapen, geen gevoel, "kriebels", "speldeprikken", pijn, geen of minder kracht, huidverkleuringen of veranderingen van het huidoppervlak. Deze symptomen komen meestal voor op vingers, handen of polsen. Deze symptomen kunnen toenemen bij koude temperaturen.**

Stopschakelaar

De stopschakelaar moet gebruikt worden om de motor uit te schakelen. (12)

Geluiddemper

De geluiddemper werd ontworpen om het geluidsniveau zo laag mogelijk te houden, en om de uitlaatgassen weg te richten van de gebruiker.



WAARSCHUWING! De uitlaatgassen van de motor zijn heet en kunnen vonken bevatten die brand kunnen veroorzaken. **Start de machine daarom nooit binnenshuis of in de buurt van licht ontvlambaar materiaal!**

In gebieden met een warm en droog klimaat kan het risico van branden erg groot zijn. Het komt voor dat deze gebieden gereguleerd worden met wetgeving, die vereist dat de geluiddemper onder andere uitgerust moet zijn met een goedgekeurd vonkenopvangnet. (13)

Zorg er bij het bevestigen van het net altijd voor dat het net in de juiste positie wordt geplaatst. Gebruik zo nodig een ring/steeksleutel om het net te plaatsen of te verwijderen.

N.B.! De geluiddemper wordt zeer heet, zowel tijdens het gebruik als na het stoppen. Dit geldt ook bij stationair draaien. Wees oplettend op brandgevaar, vooral bij hantering vlakbij brandgevaarlijke stoffen en/of gassen.



WAARSCHUWING! Gebruik de motorzaag nooit zonder of met een kapotte geluiddemper. Door een kapotte geluiddemper kunnen het geluidsniveau en het risico van brand aanzienlijk toenemen. Hou gereedschap voor brandblussen bij de hand. Gebruik nooit een motorzaag zonder of met een defect vonkenopvangnet, als een vonkenopvangnet verplicht is in uw werkgebied.

ALGEMENE VEILIGHEIDSINSTRUCTIES

Snijuitrusting

In dit hoofdstuk wordt behandeld hoe u door het juiste onderhoud en door het juiste type snijuitrusting te gebruiken:

- Het terugslagrisico van uw machine reduceert.
- Vermindert het risico op losraken en barsten van de ketting.
- Bereikt optimale snijprestaties.
- De levensduur van de snijuitrusting verlengt.
- Voorkomt toename van trillingsniveau.

Basisregels

- **Gebruik uitsluitend de door ons aanbevolen snijuitrusting!** Zie de instructies in het hoofdstuk Technische gegevens.
- **Zorg ervoor dat de tanden van de ketting goed en juist geslepen zijn! Volg onze instructies en gebruik de aanbevolen vijlmal.** Een verkeerd geslepen of beschadigde ketting verhoogt het risico op ongevallen.
- **Zorg ervoor dat de tanddiepte juist is! Volg onze instructies en gebruik de aanbevolen dieptestellermal.** Als de tanddiepte te groot is, verhoogt dit het risico op terugslag.
- **Hou de ketting gestrekt!** Als de ketting niet voldoende gestrekt is, neemt het risico toe dat de ketting losraakt en de slijtage van zaagblad, ketting en kettingwiel neemt toe.
- **Zorg ervoor dat de snijuitrusting voldoende gesmeerd is en onderhoud ze op de juiste manier!** Als de ketting niet voldoende gesmeerd wordt, neemt het risico op barsten toe en verhoogt de slijtage van zaagblad, ketting en kettingwiel.

Snijuitrusting die het risico op terugslag vermindert



WAARSCHUWING! Een verkeerde snijuitrusting of een verkeerde zaagblad/kettingcombinatie verhoogt het risico op terugslag! Gebruik uitsluitend de zaagblad/kettingcombinaties die wij aanbevelen, en volg de vijlinstructie. Zie de instructies in het hoofdstuk Technische gegevens.

Terugslag kan alleen voorkomen worden doordat u er als gebruiker voor zorgt dat de terugslagrisico-sector van het zaagblad nooit in contact komt met een voorwerp.

Door snijuitrusting met een "ingebouwde" terugslagreductie te gebruiken en door de ketting correct te slijpen en te onderhouden kan het effect van een terugslag gereduceerd kan worden.

Zaagblad

Hoe kleiner de neusradius, hoe minder neiging tot terugslag.

Ketting

Een ketting bestaat uit een aantal verschillende schakels die leverbaar zijn in standaarduitvoering en in een uitvoering die het risico op terugslag reduceert.

BELANGRIJK! Geen enkele zaagketting elimineert het risico op terugslag.



WAARSCHUWING! Ieder contact met een draaiende zaagketting kan ernstig letsel veroorzaken.

Een aantal uitdrukkingen die de specificaties van het zaagblad en de ketting aangeven.

Om alle veiligheidsonderdelen op de snijuitrusting te behouden, moet u versleten of beschadigde zaagblad-/kettingcombinaties vervangen door een zaagblad en ketting die Husqvarna aanbeveelt. Zie de instructies in het hoofdstuk Technische gegevens voor informatie welke zaagblad-/kettingcombinaties we aanbevelen.

Zaagblad

- Lengte (duim/cm)
- Aantal tanden in het neuswiel (T).
- Kettingsteek (=pitch) (duim). Het neuswiel van het zaagblad en het kettingaandrijftandwiel van de motorkettingzaag moeten aangepast zijn aan de afstand tussen de aandrijschakels. (14)
- Aantal aandrijschakels (stuks). Elke zaagbladlengte levert in combinatie met de kettingsteek en het aantal tanden van het neuswiel een bepaald aantal aandrijschakels op.
- Zaagbladgroefbreedte (duim/mm). De breedte van de zaagbladgroef moet aangepast zijn aan de aandrijschakelbreedte van de ketting.
- Kettingolie-opening en opening voor kettingstrekkerpen. Het zaagblad moet aangepast zijn aan de constructie van de motorkettingzaag. (15)

Ketting

- Kettingsteek (=pitch) (duim) (14)
- Aandrijschakel-breedte (mm/duim) (16)
- Aantal aandrijschakels (stuks) (17)

Slijpen en afstellen van de tanddiepte van de ketting

Algemeen met betrekking tot het slijpen van de tanden

- Zaag nooit met een botte ketting. De ketting is bot wanneer u de snijuitrusting door de boom moet drukken en wanneer de houten spaanders erg klein zijn. Met een zeer botte ketting zijn er zelfs helemaal geen spaanders. Dan krijgt men alleen houtpoeder.
- Een goed geslepen ketting eet zich door het hout en geeft houten spaanders die groot en lang zijn.
- De zagende delen van een ketting worden zaagschakels genoemd en bestaan uit een snijtand

ALGEMENE VEILIGHEIDSLINSTRUCTIES

(A) en een dieptestellernok (B). Het verschil in hoogte tussen deze beide bepaalt de snijdiepte. (18)

Bij het slijpen van snijtanden moet men rekening houden met vier verschillende afmetingen.

- 1 Vijlhoek (19)
- 2 Snijhoek (20)
- 3 Vijlpositie (21)
- 4 Diameter van de ronde vijl

Het is erg moeilijk om zonder hulpmiddelen een ketting correct te slijpen. Daarom raden we u aan onze vijlmal te gebruiken. Die garandeert dat de ketting wordt geslepen voor een optimale terugslagreductie en zaagcapaciteit. (22)

Zie de instructies in het hoofdstuk Technische gegevens voor de gegevens die van toepassing zijn bij het slijpen van de ketting van uw motorzaag.



WAARSCHUWING! Het niet volgen van de slijpinstructies, verhoogt het terugslagrisico van de ketting aanzienlijk.

Slijpen van de snijrand



Om de snijrand te slijpen heeft u een ronde vijl en een vijlmal nodig. Zie de instructies in het hoofdstuk Technische gegevens met betrekking tot de diameter van de ronde vijl en welke vijlmal wordt aanbevolen voor de ketting van uw motorzaag.

- Controleer of de ketting gestrekt is. Als de ketting niet voldoende gestrekt is, is ze zijdelings onstabiel waardoor ze niet juist geslepen kan worden.
- Vijl altijd van de binnenkant van de snijrand naar buiten toe. Til de vijl op wanneer u naar de volgende tand gaat. Vijl eerst alle tanden aan één kant, draai daarna de motorzaag om en vijl de tanden van de andere kant.
- Vijl zo dat alle tanden even lang zijn. Wanneer de lengte van de snijrand slechts 4 mm (5/32") bedraagt, is de ketting versleten en moet ze vervangen worden. (23)

Algemeen betreffende het instellen van de snijdiepte

- Wanneer men de snijtanden slijpt, vermindert de tanddiepte (=snijdiepte). Om de maximum zaagcapaciteit te behouden, moet de dieptestellernok verlaagd worden tot de aanbevolen hoogte. Zie de instructies in het hoofdstuk Technische gegevens hoe groot de tanddiepte moet zijn voor de ketting van uw motorzaag. (24)



WAARSCHUWING! Een te grote snijdiepte vergroot het terugslagrisico van de ketting!

Afstelling van de tanddiepte



- Wanneer de snijdiepte wordt afgesteld, moeten de snijtanden net geslepen zijn. We raden aan de snijdiepte bij te stellen na elke derde kettingslijpbeurt. N.B.! Bij deze aanbeveling wordt ervan uitgegaan dat de lengte van de snijtanden niet abnormaal afgeviild werd.
- Om de snijdiepte in te stellen heeft u een platte vijl en een dieptestellernok nodig. We raden u aan onze vijlmal voor de tanddiepte te gebruiken, om de juiste maat voor de tanddiepte en de juiste hoek van de dieptestellernok te krijgen.
- Leg de vijlmal over de zaagketting. Informatie over het gebruik van de vijlmal staat op de verpakking. Gebruik de platte vijl om het overschot van het deel van de dieptestellernok dat onder de mal uitkomt, weg te vijlen. De snijdiepte is correct als u geen weerstand voelt wanneer u de vijl over de mal haalt. (25)

Ketting strekken



WAARSCHUWING! Een onvoldoende gestrekte ketting kan resulteren in het losraken van de ketting wat tot ernstige en zelfs dodelijke verwondingen kan leiden.

Hoe meer u de ketting gebruikt, hoe langer ze wordt. Het is belangrijk dat u de snijuitrusting aan deze verandering aanpast.

Bij elke tankbeurt moet gecontroleerd worden of de ketting voldoende gestrekt is. N.B.! Een nieuwe ketting vereist een inrijperiode gedurende dewelke men vaker moet controleren of de ketting voldoende gestrekt is.

Algemeen geldt dat de ketting zo hard mogelijk gestrekt moet worden, maar niet harder dan dat men ze manueel rond kan draaien. (26)

435 II, 440 II



- Maak de zaagbladmoer los die het koppelingdeksel/kettingrem vergrendelt. Gebruik de combisleutel. Draai de zaagbladmoer vervolgens zo hard mogelijk met de hand vast. (27)
- Til de zaagbladpunt op en strek de ketting door aan de kettingstrek Schroef te draaien met behulp van de combisleutel. Strek de ketting tot hij niet langer slap hangt aan de onderkant van het zaagblad. (28)

ALGEMENE VEILIGHEIDSINSTRUCTIES

- Gebruik de combisleutel en draai de zaagbladmoer vast terwijl u tegelijkertijd de zaagbladpunt omhoog houdt. Controleer of de ketting makkelijk met de hand kan worden rondgedraaid en of hij niet naar beneden hangt aan de onderkant van het zaagblad. (29)

De plaats van de kettingstrek Schroef is verschillend voor de onze diverse modellen motorzagen. Zie de instructies in het hoofdstuk Wat is wat?, waar wordt aangegeven waar hij op uw model zit.

435e II, 440e II



- Maak de knop los door deze uit te klappen. (30)
- Draai de knop tegen de klok in om de de kap van het zaagblad los te maken. (31)
- Stel de spanning van de ketting af door het wiel naar beneden (+) te draaien voor meer spanning en omhoog (-) voor minder spanning. (32)
- Zet de zaagbladkoppeling vast door de knop met de klok mee te draaien. (33)
- Klap de knop terug om de spanning vast te zetten. (34)

Snijuitrusting smeren



WAARSCHUWING! Onvoldoende smeren van de snijuitrusting kan een breuk van de ketting veroorzaken wat tot ernstige en zelfs dodelijke verwondingen kan leiden.

Zaagkettingolie

Zaagkettingolie moet een goede hechting aan de motorzaagketting en tevens goede vloeieigenschappen hebben, of het nu een warme zomer of een koude winter is.

Als fabrikant van motorkettingzagen hebben wij een optimale zaagkettingolie ontwikkeld die door zijn plantaardige basis bovendien biologisch afbreekbaar is. Wij raden het gebruik van onze olie aan voor zowel een maximale levensduur van de motorzaagketting als voor behoud van het milieu. Als onze zaagkettingolie niet verkrijgbaar is, bevelen wij gewone zaagkettingolie aan.

Gebruik nooit afvalolie! Deze is schadelijk voor uzelf, voor de machine en het milieu.

BELANGRIJK! Bij gebruik van plantaardige kettingolie, moet u de zaagketting demonteren en ketting en zaagbladgleuf schoonmaken, voor u ze lange tijd opbergt. Anders bestaat het risico dat de kettingolie oxideert, wat ertoe leidt dat de zaagketting stijf wordt en het neuswiel van het zaagblad aanloopt.

Kettingolie bijvullen

- Al onze motorkettingzaagmodellen hebben automatische kettingsmering. Een aantal modellen is ook leverbaar met verstelbare oliestroom.
- De tank voor de kettingolie en de brandstoftank zijn zo gedimensioneerd dat de brandstof op is voordat de kettingolie op is.

Deze veiligheidsfunctie vereist echter wel dat men de juiste kettingolie gebruikt (met te dunne en dunvloeiende olie raakt de kettingolietank leeg voor de brandstof op is), dat men onze aanbevelingen met betrekking tot de carburateurinstelling volgt (met een te "magere" instelling gaat de brandstof langer mee dan de kettingolie) en dat men onze aanbevelingen met betrekking tot de snijuitrusting volgt (een te lang zaagblad heeft meer kettingolie nodig).

Controle van de kettingsmering

- Controleer bij elke tankbeurt de kettingsmering. Hou de zaagbladpunt op ca. 20 cm (8 duim) op een vast licht voorwerp gericht. Na 1 minuut draaien met 3/4 gas geven, moet er een duidelijke olieland te zien zijn op het lichte voorwerp.

Als de kettingsmering niet werkt:

- Controleer of het kettingoliekanaal van het zaagblad open is. Maak schoon indien nodig. (35)
- Controleer of de zaagbladgroef schoon is. Maak schoon indien nodig. (36)
- Controleer of het neuswiel van het zaagblad soepel draait en of de smeropening van het neuswiel open is. Maak schoon en smeer indien nodig. (37)

Als de kettingsmering niet werkt na de bovenstaande controles en de bijbehorende maatregelen, moet u de motorkettingzaag naar uw servicewerkplaats brengen.

Kettingaandrijftandwiel



De koppelingtrommel is voorzien van één van de volgende kettingaandrijftandwielen:

- A Spur-aandrijftandwiel (kettingaandrijftandwiel vastgesoldeerd op de trommel)
- B Rim-aandrijftandwiel (vervangbaar) (38)

Controleer regelmatig het slijtagniveau van het kettingaandrijftandwiel. Vervang het als het abnormaal versleten is. Het kettingaandrijftandwiel moet vervangen worden telkens men de ketting vervangt.

ALGEMENE VEILIGHEIDSINSTRUCTIES

Naaldlager smeren



Beide soorten kettingpoelie's hebben een naaldlager aan de uitgaande as, dat regelmatig gesmeerd moet worden (1 keer per week). N.B.! Gebruik lagervet van goede kwaliteit of motorolie.

Zie de instructies in het hoofdstuk Onderhoud, Naaldlager smeren.

Slijtagecontrole van de snijuitrusting



Controleer de ketting dagelijks:

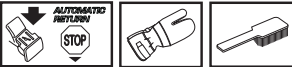
- Of er zichtbare barsten in klinken en schakels zijn.
- Of de ketting stijf is.
- Of klinken en schakels abnormaal versleten zijn.

Gooi de zaagketting weg als deze een of enkele van bovenstaande punten vertoont.

We raden aan een nieuwe zaagketting te gebruiken om de slijtage van de ketting die u gebruikt te controleren.

Vijl zo dat alle tanden even lang zijn. Wanneer de lengte van de snijtand slechts 4 mm (5/32") bedraagt, is de ketting versleten en moet ze vervangen worden. (23)

Zaagblad



Controleer regelmatig:

- Of er braam zit op de buitenzijden van het zaagblad. Vijl weg indien nodig.
- Of de zaagbladgroef abnormaal versleten is. Vervang het zaagblad indien nodig.
- Als de zaagbladneus abnormaal of ongelijkmatig versleten is. Als er een "holte" ontstaat in waar de radius van de zaagbladneus ophoudt, was de ketting niet voldoende gestrekt.
- Voor een zo lang mogelijke levensduur moet het zaagblad regelmatig omgedraaid worden.



WAARSCHUWING! Het grootste gedeelte van de ongevallen met motorkettingzagen gebeurt wanneer de ketting de gebruiker raakt.

Draag altijd persoonlijke veiligheidsuitrusting. Zie instructies in het hoofdstuk "Persoonlijke veiligheidsuitrusting".

Voer geen taken uit waarvoor u zich niet voldoende gekwalificeerd acht. Zie instructies in de hoofdstukken Persoonlijke veiligheidsuitrusting, Maatregelen om terugslag te voorkomen, Snijuitrusting en Algemene werkinstructies.

Voorkom situaties waar risico op terugslag bestaat. Zie instructies in het hoofdstuk Veiligheidsuitrusting voor de machine.

Gebruik de aanbevolen snijuitrusting en controleer de conditie waarin ze zich bevindt. Zie instructies in het hoofdstuk Algemene werkinstructies.

Controleer de werking van de veiligheidsonderdelen van de motorkettingzaag. Zie instructies in de hoofdstukken Algemene werkinstructies en Algemene veiligheidsinstructies.

MONTEREN

Monteren van zaagblad en ketting



WAARSCHUWING! Wanneer u aan de ketting werkt, moet u altijd handschoenen dragen.

435 II, 440 II

- **Controleer of de kettingrem ontkoppeld is door de terugslagbeveiliging van de kettingrem naar de voorste handvatbeugel te duwen. (39)**
- Verwijder de zaagbladmoer en het koppelingdeksel (de kettingrem). Verwijder de transportbescherming (A). (40)
- Monteer het zaagblad over de zaagbladbout. Plaats het zaagblad in de achterste stand. Plaats de ketting over het kettingaandrijftandwiel en in de zaagbladgroef. Begin aan de bovenkant van het zaagblad. (41)
- Controleer of de randen van de motorzaagschakels op de bovenkant van het zaagblad naar voren zijn gericht.
- Monteer het koppelingdeksel en vergeet niet om de kettingafstelpen in de opening van het zaagblad te plaatsen. Controleer of de aandrijfschakels van de ketting op het aandrijftandwiel passen en of de ketting juist in de groef van het zaagblad zit. Draai de moer van het zaagblad met de hand vast.
- Span de ketting door met behulp van de combisleutel de kettingspanschroef met de klok mee te schroeven. De ketting moet aangespannen worden tot ze niet langer slap hangt aan de onderkant van het zaagblad. (42)
- De ketting is juist aangespannen wanneer ze niet langer slap hangt aan de onderkant van het zaagblad en toch gemakkelijk met de hand kan worden voortbewogen. Hou de tip van het blad omhoog en draai de zaagbladmoer aan met de combisleutel. (43)
- Op een nieuwe ketting moet de kettingspanning vaak gecontroleerd worden tot de ketting goed "ingelopen" is. Controleer regelmatig de kettingspanning. Correct aangespannen kettingen geven goede bedrijfsprestaties en hebben een lange levensduur. (44)

435e II, 440e II

- **Controleer of de kettingrem ontkoppeld is door de terugslagbeveiliging van de kettingrem naar de voorste handvatbeugel te duwen. (45)**
- Maak het kettingspanwiel los en verwijder het koppelingdeksel (de kettingrem). Haal de transportbescherming weg. (A) (46)

- Monteer het zaagblad over de zaagbladbouten. Plaats het zaagblad in de achterste stand. Plaats de ketting over het kettingaandrijftandwiel en in de zaagbladgroef. Begin aan de bovenkant van het zaagblad. (41)
- Controleer of de randen van de motorzaagschakels op de bovenkant van het zaagblad naar voren zijn gericht.
- Monteer het koppelingdeksel en vergeet niet om de kettingafstelpen in de opening van het zaagblad te plaatsen. Controleer of de aandrijfschakels van de ketting op het aandrijftandwiel passen en of de ketting juist in de groef van het zaagblad zit.
- Breng de ketting op spanning door het wiel naar beneden te draaien (+). De ketting moet zover gespannen zijn dat ze aan de onderkant van het zaagblad niet doorzakt. (32)
- De ketting is correct gespannen wanneer ze aan de onderkant van het zwaard niet doorzakt, maar nog wel makkelijk met de hand bewogen kan worden. Houd de neus van het zwaard omhoog en zet de zwaardkoppeling vast door de knop tegen de klok in te draaien. (33)
- Op een nieuwe ketting moet de kettingspanning vaak gecontroleerd worden tot de ketting goed "ingelopen" is. Controleer regelmatig de kettingspanning. Correct aangespannen kettingen geven goede bedrijfsprestaties en hebben een lange levensduur. (44)

Monteren van schorssteun

Voor het monteren van een schorssteun – neem contact op met uw servicewerkplaats. (47)

BRANDSTOFHANTERING

Brandstof

Let op! Uw machine is uitgerust met een tweetaktmotor; gebruik steeds een mix van benzine met tweetaktolie. Om zeker te zijn van de juiste mengverhouding, is het erg belangrijk dat u de oliehoeveelheid steeds nauwkeurig afmeet. Als u kleine brandstofhoeveelheden mengt, hebben zelfs kleine afwijkingen van de juiste oliehoeveelheid een grote invloed op de mengverhouding.



WAARSCHUWING! Zorg steeds voor een goede ventilatie bij het vullen en hanteren van brandstof.

Benzine



- Gebruik loodvrije of gelode benzine van een hoge kwaliteit.
- Het aanbevolen laagste octaangetal is 90 (RON). Indien u de motor gebruikt met benzine met een lager octaangetal dan 90, kan het zogenaamde pingelen voorkomen. Dit leidt tot een hogere motortemperatuur en hogere belasting van de lagers, wat ernstige schade aan de motor kan veroorzaken.
- Als men voortdurend met een hoog toerental werkt (b.v. snoeien) is het aan te raden een hoger octaangetal te gebruiken.

Milieubrandstof

HUSQVARNA raadt het gebruik van milieuvriendelijke benzine (zogenaamde alkylaatbrandstof) aan, of Aspen voorgemengde tweetaktbenzine of milieubenzine voor viertaktmotoren gemengd met tweetaktolie, zoals hieronder beschreven. Let op dat het nodig kan zijn de carburateur af te stellen, wanneer u van brandstoftype wisselt (zie de instructies in het hoofdstuk Carburateur).

Ethanolbrandstof

HUSQVARNA raadt in de handel verkrijgbare brandstof met een ethanolgehalte van maximaal 10% aan.

Inlopen

Gedurende lange tijd op hoge toeren werken, dient gedurende de eerste 10 uur te worden vermeden.

Tweetaktolie

- Voor de beste resultaten en prestaties, moet u HUSQVARNA tweetaktolie gebruiken, die speciaal wordt gemaakt voor onze luchtgekoelde tweetaktmotoren.
- Gebruik nooit tweetaktolie die bedoeld is voor watergekoelde buitenboordmotoren, zogenaamde outboardoil (aangeduid met TCW).
- Gebruik nooit olie bedoeld voor vier-takt motoren.

- Een lage oliekwaliteit of een te rijk olie/brandstofmengsel kan de functie van de katalysator op het spel zetten en de levensduur verminderen.

Mengverhouding

1:50 (2%) met HUSQVARNA tweetaktolie.

1:33 (3%) met andere olie, gemaakt voor luchtgekoelde tweetaktmotoren, geklassificeerd voor JASO FB/ISO EGB.

Benzine, liter	Tweetaktolie, liter	
	2% (1:50)	3% (1:33)
5	0,10	0,15
10	0,20	0,30
15	0,30	0,45
20	0,40	0,60

Mengen

- Meng de benzine en olie altijd in een schone jerrycan die goedgekeurd is voor benzine.
- Begin altijd met de helft van de benzine die gemengd moet worden erin te gieten. Giet er daarna de gehele oliehoeveelheid bij. Meng (schud) het brandstofmengsel. Giet er de resterende hoeveelheid benzine bij.
- Meng (schud) de brandstofhoeveelheid goed voor u de brandstoftank van de machine vult.
- Meng niet meer brandstof dan voor max. 1 maand nodig is.
- Als u de machine gedurende een langere tijd niet gebruikt, moet u de brandstoftank leeg maken en hem schoonmaken.

Kettingolie

- Als smeermiddel raden we een speciale olie aan (kettingsmeerolie) met goede adhesie. **(48)**
- Gebruik nooit gebruikte olie. Dit kan de oliepomp, het zaagblad en de ketting beschadigen.
- Het is belangrijk het juiste olietype te gebruiken in verhouding tot de luchttemperatuur (juiste viscositeit).
- Bij temperaturen onder 0°C worden bepaalde oliesoorten minder visceus. Dit kan de pomp overbelasten en de componenten van de pomp beschadigen.
- Neem contact op met uw dealer voor het kiezen van de juiste kettingolie.

BRANDSTOFHANTERING

Tanken



WAARSCHUWING! Om het risico op brand te verminderen, moet u de volgende voorzorgsmaatregelen nemen:

Rook niet en plaats ook geen warm voorwerp in de buurt van de brandstof.

Stop de motor en laat hem voor het tanken enkele minuten afkoelen.

Open de dop van de tank voorzichtig wanneer u wilt tanken zodat eventuele overdruk langzaam verdwijnt.

Draai de dop van de tank goed vast na het tanken.

Haal de machine altijd weg van de tankplaats en -bron voordat u hem start.

Maak de dop van de tank en de directe omgeving goed schoon. Maak de brandstof- en kettlingolietanks regelmatig schoon. Het brandstoffilter moet minstens één keer per jaar vervangen worden. Verontreinigingen in de tank kunnen defecten veroorzaken. Zorg ervoor dat de brandstof goed gemengd is door de jerrycan voorzichtig te schudden voor u de tank vult. De volumes van de kettlingolie- en brandstoftanks zijn goed op elkaar afgestemd. Vul daarom de kettlingolie- en de brandstoftank altijd op hetzelfde tijdstip. (48)



WAARSCHUWING! Brandstof en brandstofdampen zijn uiterst brandgevaarlijk. Wees voorzichtig bij het hanteren van brandstof en kettlingolie. Vergeet het brand-, explosie- en inademingsgevaar niet.

Brandstofdop en dop voor de kettlingolie verwijderen

- Druk op het ribbelige gebied van de kantelhendel en zet deze recht omhoog. (49)
- Draai de dop tegen de wijsers van de klok in los. (50)
- Verwijder de dop. (51)

De brandstofdop en dop voor de kettlingolie terugplaatsen

- Steek de dop naar binnen met de kantelhendel recht omhoog. (52)
- Draai de dop stevig vast door deze met de wijsers van de klok mee te draaien. (53)
- Klap de kantelhendel neer. (54)

BELANGRIJK! Een beschadigde dop moet altijd worden vervangen.

Brandstofveiligheid

- Tank nooit wanneer de motor van de machine loopt.
- Zorg voor een goede ventilatie tijdens het tanken en het mengen van brandstof (benzine en 2-takt olie).
- Verplaats de machine ten minste 3 m van de tankplaats voor u de motor start.
- Start de machine nooit:
 - 1 Als u brandstof of kettlingolie op de machine heeft gemorst. Neem alle gemorste brandstof af en laat de benzineresten verdampen.
 - 2 Als u brandstof op uzelf of op uw kleding gemorst heeft, trek schone kleding aan. Was de lichaamsdelen die in contact zijn geweest met brandstof. Gebruik water en zeep.
 - 3 Als de machine brandstof lekt. Controleer de tankdop en de brandstofleidingen regelmatig op lekkage.



WAARSCHUWING! Gebruik nooit een machine met zichtbare beschadigingen aan bougiebescherming en ontstekingskabel. Er bestaat een risico van vonkvorming, wat brand kan veroorzaken.

Transport en opbergen

- Berg de motorkettingzaag en de brandstof zo dat eventuele lekkage en dampen niet in contact kunnen komen met vonken of vlammen. Bijvoorbeeld elektrische machines, elektrische motoren, stopcontacten/schakelaars, verwarmingsketels e.d.
- De brandstof moet in daarvoor bedoelde en goedgekeurde tanks worden bewaard.
- Bij opslag van langere duur en transport van de motorkettingzaag moeten de brandstof- en zaagkettlingolietanks worden geleegd. Vraag bij uw tankstation of de gemeente waar u de afgetapte brandstof en kettlingolie kwijt kan.
- De transportbescherming van de snij-uitrusting moet tijdens transport of opslag van de machine altijd aangebracht zijn, om abusievelijk contact met de scherpe ketting te vermijden. Ook een ketting die niet beweegt, kan ernstig letsel toebrengen aan de gebruiker of andere personen, die de ketting aanraken.
- Verwijder het ontstekingsmechanisme van de bougie. Activeer de kettlingrem.
- Zet de machine vast tijdens transport.

Opslag voor lange tijd

Leeg de brandstof- en olietanks op een goed geventileerde plaats. Bewaar de brandstof in goedgekeurde jerrycans op een veilige plaats. Monteer de zaagbladbescherming. Maak de machine schoon. Zie instructies in het hoofdstuk Onderhoudsschema.

Zorg ervoor dat de machine goed is schoongemaakt en dat een volledige servicebeurt is gegeven voor een lange periode van stalling.

STARTEN EN STOPPEN

Starten en stoppen



WAARSCHUWING! Voor het starten moet u rekening houden met de volgende punten:

De kettingrem moet geactiveerd zijn wanneer de motorzaag wordt gestart, om het risico van contact met de draaiende ketting bij de start te verminderen.

Start de motorkettingzaag nooit zonder dat zaagblad, ketting en alle kappen gemonteerd zijn. Anders kan de koppeling losraken en persoonlijk letsel veroorzaken.

Plaats de machine steeds op een stabiele ondergrond. Zorg ervoor dat u stevig staat en dat de ketting niet in contact kan komen met een voorwerp.

Hou onbevoegden uit het werkgebied.

Wikkel het startkoord nooit rond uw hand.

Starten

De kettingrem moet geactiveerd zijn wanneer u de motor start. Activeer de rem door de terugslagbescherming naar voren te brengen. (55)

Koude motor

Startpositie, 1: Zet de start/stopschakelaar in de chokestand door het rode bedieningselement naar buiten en omhoog te trekken. (56)

Brandstofpomp (2): Druk een aantal malen op de rubberen balg van de brandstofpomp tot er brandstof in de balg komt (ten minste 6 keer). De balg hoeft niet helemaal gevuld te worden. (56)

Pak de voorhandgreep vast met uw linkerhand. Houd de motorkettingzaag op de grond door uw rechtervoet door de achterhandgreep te steken. (57)

Trek aan de starthendel, 3: Trek met uw rechterhand aan de starthendel en trek het startkoord langzaam naar buiten tot u weerstand voelt (starthaken grijpen in) en trek daarna hard en snel totdat de motor aanslaat.

Druk de rode chokehendel, 4: Zodra de motor aanslaat, hetgeen u hoort aan een 'plof'-geluid, drukt u de rode chokehendel omlaag.

Trek aan de starthendel (5): Blijf hard aan het koord trekken totdat de motor start.

Warme motor

Startpositie, 1: De correcte choke/gashendelinstelling voor warme start wordt verkregen door eerst de chokehendel te verzetten door de rode hendel naar buiten en omhoog te trekken. (56)

Brandstofpomp (2): Druk een aantal malen op de rubberen balg van de brandstofpomp tot er brandstof in de balg komt (ten minste 6 keer). De balg hoeft niet helemaal gevuld te worden. (56)

Druk de rode chokehendel, 3: Hierdoor wordt de choke uitgeschakeld, die voor het starten van een warme motorkettingzaag niet nodig is. Door de beweging van de start/stop-schakelaar is echter een hoge stationairstand ingeschakeld, waardoor de warme start beter verloopt.

Trek aan de starthendel, 4: Pak de voorhandgreep vast met uw linkerhand. Houd de motorkettingzaag op de grond door uw rechtervoet door de achterhandgreep te steken. (57)

Trek met uw rechterhand aan de starthendel en trek het startkoord langzaam naar buiten tot u weerstand voelt (starthaken grijpen in) en trek daarna hard en snel totdat de motor aanslaat.

Omdat de kettingrem nog steeds geactiveerd is, moet het toerental van de motor zo snel mogelijk terug naar nullast; hiervoor moet u de gasvergrendeling uitschakelen. Uitschakeling vindt plaats door een klein beetje gas te geven via de gashendel. Daardoor voorkomt u onnodige slijtage van koppeling, koppelingstrommel en remband. Laat de machine enkele seconden stationair lopen voordat men vol gas geeft.

Aan de achterkant van de zaag (A) zit een vereenvoudigde startherinnering met afbeeldingen die de desbetreffende stappen beschrijven. (57)

N.B.! Trek het startkoord niet volledig uit en laat de starthendel niet zomaar los wanneer het volledig uitgetrokken is. Dit kan tot beschadigingen van de machine leiden.

Let op! Reset de kettingrem door de terugslagbescherming terug te brengen naar de handvatbeugel. De motorkettingzaag is dan klaar voor gebruik.



WAARSCHUWING! Langdurige inademing van de uitlaatgassen van de motor, kettingolienevel en stof van zaagsel kan een gezondheidsrisico vormen.

- Start de motorkettingzaag nooit zonder dat zaagblad, zaagketting en alle kappen correct gemonteerd zijn. Zie de instructies in het hoofdstuk Monteren. Wanneer zaagblad en ketting niet op de motorzaag zijn gemonteerd, kan de koppeling losraken en ernstig letsel veroorzaken.
- De kettingrem moet geactiveerd zijn wanneer u de motorzaag start. Zie instructies onder het hoofdstuk Starten en stoppen. Gebruik nooit de valstart voor de motorzaag. Deze methode is zeer gevaarlijk omdat u makkelijk de controle over de motorzaag kunt verliezen. (55)
- Start de machine nooit binnenshuis. Vergeet niet dat het gevaarlijk is om de uitlaatgassen van de motor in te ademen.

STARTEN EN STOPPEN

- Controleer de omgeving en vergewis u ervan dat er geen risico bestaat dat mensen of dieren in contact komen met de snijuitrusting.
- Hou de motorzaag altijd met beide handen beet. Hou uw rechterhand op de achterhandgreep en uw linkerhand op de voorhandgreep. **Alle gebruikers, zowel rechts- als linkshandigen, moeten deze greep gebruiken.** Hou stevig vast zodat uw duimen en vingers de handgrepen van de motorzaag omsluiten.

Stoppen

U stopt de motor door de start/stophendel in te drukken. **(59)**

N.B.! De start/stopknop gaat automatisch terug naar bedrijfsstand. Om een onbedoelde start te voorkomen, moet daarom altijd het ontstekingsmechanisme van de bougie worden gehaald, wanneer de machine niet onder toezicht staat. **(60)**

Voor ieder gebruik: (61)

- 1 Controleer of de kettingrem goed werkt en niet beschadigd is.
- 2 Controleer of de achterste rechterhandbescherming niet beschadigd is.
- 3 Controleer of de gashendelvergrendeling goed werkt en niet beschadigd is.
- 4 Controleer of het stopcontact goed functioneert en onbeschadigd is.
- 5 Controleer of alle handvatten vrij van olie zijn.
- 6 Controleer of het trillingsdempingssysteem goed werkt en niet beschadigd is.
- 7 Controleer of de geluiddemper goed vast zit en niet beschadigd is.
- 8 Controleer of alle onderdelen van de motorkettingzaag vastgedraaid zijn en dat ze niet beschadigd zijn of ontbreken.
- 9 Controleer of de kettingvanger op zijn plaats zit en niet beschadigd is.
- 10 Controleer de kettingspanning.

Algemene werkinstructies

BELANGRIJK!

In dit hoofdstuk nemen we de basisveiligheidsregels voor het werken met een motorkettingzaag door. Deze informatie kan nooit de kennis vervangen die een vakman via opleidingen en praktische ervaring heeft verworven. Wanneer u in een situatie belandt waarin u niet goed weet hoe u verder te werk moet gaan, moet u een expert raadplegen. Wend u tot uw dealer, uw servicewerkplaats of een ervaren motorkettingzaaggebruiker. Vermijd gebruik waarvan u vindt dat u niet voldoende gekwalificeerd bent!

Voor u de motorkettingzaag gaat gebruiken, moet u weten wat terugslag is en hoe dit voorkomen kan worden. Zie instructies in het hoofdstuk Maatregelen die terugslag voorkomen.

Voor u de motorkettingzaag gaat gebruiken moet u begrijpen wat het verschil is tussen zagen met de onderkant en zagen met de bovenkant van het zaagblad. Zie de instructies in het hoofdstuk Maatregelen om terugslag te voorkomen en De veiligheidsuitrusting van de machine.

Draag altijd persoonlijke veiligheidsuitrusting. Zie instructies in het hoofdstuk "Persoonlijke veiligheidsuitrusting".

Basisveiligheidsregels

- 1 Controleer de omgeving:
- Om ervoor te zorgen dat u de controle over uw machine niet kunt verliezen vanwege omstanders, dieren of een andere reden.
 - Om te voorkomen dat omstanders en dieren in contact komen met de ketting of geraakt worden door de vallende boom en gewond raken.

N.B.! Volg de hierboven genoemde punten maar gebruik de motorkettingzaag nooit als u niet de mogelijkheid heeft om hulp in te roepen in geval van een ongeval.

- 2 Gebruik de motorkettingzaag niet in ongunstige weersomstandigheden. B.v. bij dichte mist, hevige regen, harde wind, hevige koude enz. Werken in slechte weersomstandigheden is vermoeiend en kan tot gevaarlijke situaties leiden, zo kan de grond glad zijn, de wind de valrichting van de boom beïnvloeden enz.
- 3 Wees extra voorzichtig bij het afzagen van kleine takken en zaag niet in struiken (= veel kleine takken tegelijkertijd). Kleine takken kunnen na het afzagen vastraken in de ketting, in uw gezicht e.d. geslingerd worden en ernstige verwondingen veroorzaken.
- 4 Zorg ervoor dat u veilig kunt gaan en staan. Controleer of er eventuele hindernissen zijn als u onverwacht snel moet kunnen weggelopen (wortels, stenen, takken, kuilen, greppels enz.). Wees extra voorzichtig wanneer u op hellend terrein werkt.
- 5 Wees extra voorzichtig wanneer u in bomen zaagt die gespannen zijn. Een gespannen boom kan zowel voor als na het doorzagen in zijn normale stand terug vliegen. Als u op de verkeerde plaats staat of de inkeping op de verkeerde plaats maakt, kan dit ertoe leiden dat de boom u of de machine raakt zodat u de controle verliest. In beide gevallen kunt u ernstig gewond raken.



- 6 Wanneer u zich verplaatst moet de ketting vergrendeld worden met de kettingrem en moet de motor uitgeschakeld worden. Draag de motorkettingzaag met het zaagblad en de ketting naar achter gericht. Als het om een langere verplaatsing gaat, moet u de zaagbladbescherming gebruiken.
- 7 Wanneer u de motorzaag op de grond plaatst, moet u de ketting met de kettingrem blokkeren en ervoor zorgen dat u de machine in de gaten kunt houden. Als de motorzaag een langere tijd "geparkeerd" wordt, moet u de motor uitzetten.



WAARSCHUWING! Soms komen er snippers vast te zitten in het koppelingdekseel waardoor de ketting vastloopt. Zet de motor altijd uit voordat wordt begonnen met schoonmaken.

Basisregels

- 1 Door te begrijpen wat terugslag is en hoe het veroorzaakt wordt, kunt u het verrassingseffect reduceren of elimineren. Het verrassingseffect verhoogt het ongevalsrisico. De meeste terugslagen zijn klein, maar sommige kunnen bliksemsnel en erg krachtig zijn.
- 2 Hou de motorzaag altijd stevig vast met uw rechterhand op het achterste handvat en uw linker

handvat op het voorste handvat. Plaats uw duimen en vingers rond de handvatten. Iedereen, of men nu rechts- of linkshandig is, moet de motorzaag op deze manier vastgrijpen. Want dit is de beste greep om het terugslageffect te reduceren en de controle over de motorzaag te behouden. **Laat de handvatten niet los!**

- 3 De meeste terugslagongevallen gebeuren bij het snoeien. Zorg ervoor dat u stevig staat en dat er niet op de grond ligt waarover u kunt struikelen of uw evenwicht kunt verliezen.

Door onoplettendheid kan de terugslagrisico-sector van de motorzaag onopzettelijk een tak, een boom in de buurt of een ander voorwerp raken, en terugslag veroorzaken.

Zorg dat u controle over het werkstuk hebt. Als de stukken, die u zaagt, klein en licht zijn kunnen ze in de ketting vast raken en naar u worden geworpen. Al hoeft dit op zich niet gevaarlijk te zijn, u kunt erdoor verrast worden en de controle over de zaag verliezen. Zaag nooit opgestapelde stammen of takken zonder ze eerst uit elkaar te trekken. Zaag slechts een stam of een stuk per keer. Verwijder de afgezaagde stukken om uw werkterrein veilig te houden. **(62)**

- 4 **Gebruik de motorzaag nooit hoger dan schouderhoogte en zaag niet met de tip van het zaagblad. Zaag nooit wanneer u de motorzaag slechts met één hand vasthoudt! (63)**

- 5 Om volledige controle te hebben over uw motorkettingzaag is het noodzakelijk dat u stabiel staat. Werk nooit terwijl u op een trap staat, hoog in een boom of op plaatsen waar u geen stabiele ondergrond hebt om op te staan. **(64)**

- 6 Zaag met een hoge kettingsnelheid, d.w.z. met volgas.

- 7 Wees extra voorzichtig wanneer u met de bovenkant van het zaagblad zaagt, d.w.z. wanneer u van de onderkant van het zaagvoorwerp zaagt. Dit wordt zagen met duwende ketting genoemd. De ketting duwt de motorzaag dan naar achteren naar de gebruiker toe. Wanneer de ketting beklemd raakt, kan de motorzaag naar achteren naar u toe worden geworpen. **(65)**

- 8 Als de gebruiker deze duwende beweging niet pareert, bestaat het risico dat de motorzaag zo ver naar achter wordt geduwd dat de terugslagrisico-sector van het zaagblad het enige contact met de boom vormt, wat tot terugslag leidt. **(66)**

Met de onderkant van het zaagblad zagen, d.w.z. van de bovenkant van het zaagvoorwerp naar beneden, wordt zagen met trekkende ketting genoemd. Dan wordt de motorzaag naar de boom getrokken en de voorkant van de motorzaaghuus vormt dan een natuurlijke steun tegen de stam. Bij zagen met trekkende ketting heeft de gebruiker meer controle over de motorkettingzaag en waar de terugslagrisico-sector van het zaagblad zich bevindt. **(67)**

- 9 Volg de vijl- en onderhoudsinstructies voor het zaagblad en de ketting. Als u het zaagblad en de

ketting vervangt, mag slechts één van de door ons aanbevolen combinaties gebruikt worden. Zie instructies in de hoofdstukken Snijuitrusting en Technische gegevens.

Basistechniek zagen



WAARSCHUWING! Gebruik nooit een motorzaag door hem met een hand vast te houden. U kunt een motorzaag niet veilig controleren met een hand. Hou de handgrepen altijd met beide handen stevig vast.

Algemeen

- Geef altijd volgas bij het zagen!
- Laat de motor na elke zaagsnede stationair draaien (als de motor langdurig op volle toeren draait zonder dat hij belast wordt, d.w.z. zonder de weerstand die de motor bij het zagen via de ketting ondervindt, kan dit tot ernstige beschadigingen van de motor leiden).
- Vanaf de bovenkant zagen = met "trekkende" ketting zagen.
- Vanaf de onderkant zagen = met "duwende" ketting zagen.

Zagen met een "duwende" ketting betekent een groter risico op terugslag. Zie instructies in het hoofdstuk Maatregelen die terugslag voorkomen.

Benamingen

Zagen = Algemene benaming voor zagen door hout.

Snoeien = Takken van een geveld boom afzagen.

Splijten = Wanneer het voorwerp dat u door/af wilt zagen afbreekt voor u de hele zaagsnede aangebracht heeft.

Voor het zagen moet u rekening houden met vijf erg belangrijke factoren:

- 1 De snijuitrusting mag niet vastgeklemd worden in de motorzaagsnede. **(68)**
- 2 Het zaagvoorwerp mag niet splijten. **(69)**
- 3 De ketting mag tijdens en na het zagen niet in contact komen met de grond of een ander voorwerp. **(70)**
- 4 Bestaat er risico op terugslag? **(4)**
- 5 Kunt u op deze grond en in deze omgeving veilig gaan en staan?

Dat de ketting wordt vastgeklemd of dat het zaagvoorwerp splijt is te wijten aan twee oorzaken: welke steun het zaagvoorwerp voor en na het zagen heeft en of het zaagvoorwerp onder spanning staat.

De eerder genoemde ongewenste verschijnselen kunnen in de meeste gevallen voorkomen worden door het zagen in twee stappen uit te voeren: vanaf de boven- en de onderkant. Het gaat erom de "wil" van het zaagvoorwerp om de ketting vast te klemmen of te splijten, te neutraliseren.

BELANGRIJK! Als de ketting wordt vastgeklemd in de motorzaagsnede: schakel de motor uit! Probeer de motorkettingzaag niet los te trekken. Als u dit doet kunt u zich verwonden aan de ketting wanneer de motorzaag plotseling loskomt. Gebruik een hefboom om de motorkettingzaag los te maken.

Hieronder volgt een theoretische beschrijving van hoe de meeste voorkomende situaties waarmee de gebruiker van een motorkettingzaag te maken krijgt, gehanteerd moeten worden.

Snoeien

Bij het snoeien van dickere takken moet men dezelfde principes toepassen als bij het zagen.

Zaag moeielijke takken stukje voor stukje af. (71)

Zagen



WAARSCHUWING! Probeer nooit te zagen in stammen als ze opgestapeld liggen of wanneer een paar stammen dicht bij elkaar liggen. Dergelijke handelwijzen vergroten het risico van terugslag aanzienlijk, wat kan leiden tot ernstig of levensbedreigend letsel.

Als u een stapel stammen heeft, moet iedere stam die u wilt zagen, van de stapel af, op een zaagbok of -tafel worden gelegd en apart worden doorgezaagd.

Verwijder de doorgezaagde stukken uit het werkterrein. Door ze in het werkterrein te laten liggen, vergroot u het risico om per ongeluk terugslag te krijgen als het risico om uw balans te verliezen terwijl u werkt. (72)

De stam ligt op de grond. Er bestaat geen risico dat de ketting wordt vastgeklemd of dat de stam splijt. Het risico dat de ketting na het doorzagen de grond raakt, is echter wel groot. (73)

Zaag van boven naar beneden door de hele stam. Wees voorzichtig op het einde van de motorzaagsnede zodat u voorkomt dat de ketting de grond raakt. Blijf vol gas geven maar wees bereid om te reageren indien dit nodig mocht zijn. (74)

Als dit mogelijk is (kan de stam geroteerd worden?) zaag de stam dan voor 2/3 door.

Roteer de stam zo dat de resterende 1/3 van bovenaf kunt zagen. (75)

De stam wordt aan één kant ondersteund. Groot risico op splijten. (76)

Begin met van onder naar boven te zagen (ca. 1/3 van de stamdiameter).

Zaag de stam daarna van boven naar beneden door zodat de twee zaagsneden elkaar ontmoeten. (77)

De stam wordt aan beide kanten ondersteund. Groot risico dat de ketting wordt vastgeklemd. (78)

Begin met van onder naar boven te zagen (ca. 1/3 van de stamdiameter).

Zaag de stam daarna van boven naar beneden door zodat de twee zaagsneden elkaar ontmoeten. (79)

Veltechniek

BELANGRIJK! Voor het vellen van een boom is veel techniek vereist. Een onervaren motorkettingzaaggebruiker mag geen bomen vellen met de motorzaag. Voer nooit taken uit waarvoor u niet voldoende gekwalificeerd bent!

Veiligheidsafstand

De veiligheidsafstand tussen de boom die geveld zal worden en de dichtstbijzijnde werkplek moet ten minste 2 1/2 boomlengths bedragen. Zorg ervoor dat niemand zich voor en tijdens het vellen in deze "risicozone" bevindt. (80)

Velrichting

Bij het vellen van bomen is het de bedoeling dat de boom zo geveld wordt dat het snoeien en het doorzagen van de geveldde boom in zulk "eenvoudig" terrein als mogelijk kan gebeuren. U moet er veilig kunnen gaan en staan.

Nadat u bepaald heeft in welke richting u wilt dat de boom valt, moet u ook beoordelen wat de natuurlijke valrichting van de boom is.

Die wordt bepaald door de volgende factoren:

- Helling
- Hoe gebogen de boom is
- Windrichting
- Takkenconcentratie
- Eventueel gewicht van de sneeuw op de boom
- Obstaten binnen de reikwijdte van de boom: bijv. andere bomen, elektriciteitsleidingen, wegen en gebouwen.
- Kijk naar schade of rot in de stam, waardoor het waarschijnlijk is dat de boom breekt en valt voordat u dit verwacht.

Na deze beoordeling kan men gedwongen zijn om de boom in zijn natuurlijke richting te laten vallen omdat blijkt dat het onmogelijk of te gevaarlijk is om te proberen de boom in de gewenste richting te laten vallen.

Een andere belangrijke factor, die geen invloed heeft op de valrichting, maar wel belangrijk is voor uw persoonlijke veiligheid, is dat u moet controleren of de boom geen beschadigde of "dode" takken heeft die af kunnen breken en u kunnen verwonden.

In de eerste plaats moet voorkomen worden dat de vallende boom vastraakt in een andere boom. Het is erg gevaarlijk om zo'n vastgeraakte boom op de grond te krijgen en het ongevalsrisico is erg groot. Zie instructies in het hoofdstuk Hanteren van een mislukte poging. (81)

BELANGRIJK! Op kritieke velmomenten moeten de gehoorbeschermers direct na het voltooiën van de motorzaagwerkzaamheden opgeklapt worden, zodat u geluiden en waarschuwingssignalen kunt opmerken.

Onderste gedeelte van de stam snoeien en vluchtweg

Haal altijd tot schouderhoogte de takken van de stam. Het is het veiligst van onder naar boven te werken en de stam tussen u en de motorkettingzaag te houden. (82)

Verwijder de vegetatie rond de boom en controleer of er eventuele hindernissen (stenen, takken, kuilen enz.) zijn zodat u gemakkelijk weg kunt komen wanneer de boom begint te vallen. De vluchtweg moet in een hoek van circa 135° (schuin achterwaarts) tegenover de geplande valrichting liggen. (83)

- 1 Risicozone
- 2 Vluchtweg
- 3 Valrichting

Vellen



WAARSCHUWING! We raden involdoende gekwalificeerde gebruikers ten sterkste af bomen te vellen met een zaagbladlengte die kleiner is dan de stamdiameter!

Het vellen gebeurt met drie zaagsneden. Eerst maakt men een inkeping die bestaat uit een bovenste inkeping en een onderste inkeping, en daarna wordt het vellen beëindigd met een zaagsnede. Door de inkepingen en de motorzaagsnede op de juiste plaats aan te brengen, kan men de valrichting erg nauwkeurig sturen.

Inkeping

Bij het aanbrengen van de inkeping begint men met de bovenste inkeping. Kijk langs de velrichtpunten (1) op de zaag naar een doel verderop in het terrein, waar u wilt dat de boom neerval (2). Sta aan de rechterkant van de boom, achter de zaag, en zaag met trekkende ketting.

Breng daarna de onderste inkeping aan zodat die eindigt waar de bovenste inkeping eindigt. (84)

De inkepingdiepte moet 1/4 van de stamdiameter bedragen en de hoek tussen de bovenste en de onderste inkeping ten minste 45°.

De beide inkepingen ontmoeten elkaar op de inkepinglijn. De inkepinglijn moet volkomen horizontaal liggen en tegelijkertijd een rechte hoek (90°) vormen met de gekozen valrichting. (85)

Zaagsnede

De motorzaagsnede wordt aangebracht vanaf de andere kant van de boom en moet volkomen horizontaal liggen. Sta links van de boom en zaag met trekkende ketting.

Breng de motorzaagsnede ca. 3-5 cm (1,5-2") boven de horizontale lijn van de inkeping aan. (86)

Steek de schorssteun (indien deze gemonteerd is) achter het scharnierstuk. Zaag met vol gas en duw de ketting/het zaagblad langzaam in de boom. Let op of de boom niet in een richting beweegt die tegenovergesteld is aan de gekozen valrichting. Breng zodra de snijdiepte dit toelaat, een velwig of een breekijzer aan in de motorzaagsnede.

De motorzaagsnede moet parallel met de inkepinglijn beëindigd worden zodat de afstand tussen beiden

tenminste 1/10 van de stamdiameter bedraagt. Het niet doorgezaagde gedeelte wordt scharnierstuk genoemd.

Het scharnierstuk doet dienst als scharnier en stuurt de richting van de vallende boom. (87)

Als het scharnierstuk te klein is of doorgezaagd is of als de inkeping of de motorzaagsnede verkeerd geplaatst zijn, kan men alle controle over de valrichting van de boom verliezen. (88)

Wanneer de motorzaagsnede en de inkeping klaar zijn, moet de boom uit zichzelf beginnen te vallen of met behulp van de velwig of het breekijzer. (89)

We raden aan een zaagbladlengte te gebruiken die groter is dan de stamdiameter van de boom, zodat de zaagsnede en de inkeping aangebracht kunnen worden met een zogenaamde "enkelvoudige snede". Zie de instructies in het hoofdstuk Technische gegevens welke zaagbladlengtes wij aanbevelen voor uw motorkettingzaag.

Er zijn methodes om bomen te vellen met een stamdiameter die groter is dan de zaagbladlengte. Bij deze methodes is het risico dat de terugslagrisico-sector van het zaagblad in contact komt met een voorwerp erg groot. (4)

Hanteren van een mislukte poging

"Vastgeraakte boom" omlaag halen

Het is erg gevaarlijk om zo'n vastgeraakte boom op de grond te krijgen en het ongevalsrisico is erg groot.

Probeer de boom die ergens opgevallen is nooit naar beneden te zagen.

Werk nooit binnen het risicogebied van bomen die vast hangen in een andere boom. (90)

De veiligste methode is een takel gebruiken.

- Gemonteerd op een trekker
- Draagbaar

Bomen en takken zagen die onder spanning staan

Vorbereidingen: Beoordeel in welke richting de bomen/takken gespannen zijn en waar het breekpunt (d.w.z. het punt waar de boom/tak zou breken als hij nog meer gespannen zou worden) zich bevindt. (91)

Beoordeel hoe u de spanning het best kunt wegnemen en of u dit zelf kunt. In extra gecompliceerde situaties is de enige veilige methode geen motorkettingzaag te gebruiken en een takel te gebruiken.

In het algemeen geldt:

Sta zo dat u niet het risico loopt geraakt te worden door de boom/tak wanneer de spanning wordt weggenomen. (92)

Maak één of meerdere sneden op of in de buurt van het breekpunt. Zaag zo diep en breng zoveel sneden aan als nodig is om de spanning in de boom/tak voldoende weg te nemen zodat de boom/tak "afbreekt" bij het breekpunt. (93)

Zaag een voorwerp dat onder spanning staat nooit helemaal door!

Wanneer u de boom/tak moet doorzagen, maakt u twee of drie snedes van 3-5 cm diep met 3 cm tussenruimte. (94)

Zaag vervolgens steeds dieper tot de spanning van de boom/tak verdwijnt. (95)

Zaag de boom/tak vervolgens vanaf de andere kant door, nadat de spanning eraf is.

Maatregelen die terugslag voorkomen



WAARSCHUWING! De terugslag kan bliksemsnel, plotseling en krachtig zijn en kan ertoe leiden dat de motorzaag, het zaagblad en de ketting tegen de gebruiker slaan. Als de ketting in beweging is wanneer ze de gebruiker raakt, kan dit tot ernstige en zelfs dodelijke verwondingen leiden. Het is noodzakelijk om te begrijpen waardoor terugslag wordt veroorzaakt en hoe terugslag voorkomen kan worden door voorzichtig en op de juiste manier te werken.

Wat is terugslag?

Terugslag is de benaming van een plotselinge reactie waarbij de motorzaag en het zaagblad terugslaan van een voorwerp dat geraakt werd door de terugslagrisico-sector van de zaagbladpunt. (66)

Terugslag gebeurt altijd in de richting van het zaagbladoppervlak. Meestal slaan de motorzaag en het zaagblad omhoog en naar achteren naar de gebruiker toe. Maar dit kan ook in andere richtingen zijn, afhankelijk van de positie waarin de motorzaag zich bevindt op het ogenblik dat de terugslagrisico-sector in contact komt met een voorwerp. (7)

Terugslag vindt uitsluitend plaats wanneer de terugslagrisico-sector van het zaagblad in contact komt met een voorwerp. (4)

Snoeien



WAARSCHUWING! De meeste terugslagongevallen gebeuren bij het snoeien. Gebruik de terugslagrisico-sector van het zaagblad niet. Wees uiterst voorzichtig en vermijd dat de punt van het zaagblad in contact komt met de stam, andere takken of voorwerpen. Wees uiterst voorzichtig met takken die op spanning staan. Ze kunnen naar u terugveren en ertoe leiden dat u de controle verliest, wat letsel kan veroorzaken.

Zorg ervoor dat u veilig kunt gaan en staan! Werk vanaf de linkerkant van de stam. Werk zo dicht mogelijk bij de motorkettingzaag voor een zo goed mogelijke controle.

Indien mogelijk moet u het gewicht van de motorkettingzaag op de stam laten rusten.

Verplaats u uitsluitend wanneer de stam zich tussen u en de motorkettingzaag bevindt.

Stam van geveld boom doorzagen

Zie instructies in het hoofdstuk Basistechniek zagen.

Algemeen

De gebruiker mag alleen die onderhouds- en servicewerkzaamheden uitvoeren die in deze gebruiksaanwijzing worden beschreven. Meer ingrijpende maatregelen moeten door een erkende servicewerkplaats worden uitgevoerd.

Carburateurinstelling

Uw Husqvarna-product is geconstrueerd en gemaakt volgens specificaties, die de schadelijke uitlaatgassen reduceren.

Werking

- Via de gasklepbediening stuurt de carburateur het toerental van de motor. In de carburateur worden brandstof en lucht vermengd. Dit mengsel (brandstof/lucht) kan worden afgesteld. Om het maximum vermogen van de machine te kunnen benutten, moet de afstelling correct zijn.
- De T-schroef regelt de positie van de gasklepbediening bij stationair draaien. Als de T-schroef met de klok mee wordt gedraaid, krijgt men een hoger stationair toerental en als ze tegen de klok in wordt gedraaid, een lager stationair toerental.

Basisafstelling en inrijden

Tijdens het testen in de fabriek wordt de basisafstelling van de carburateur uitgevoerd. Een fijnafstelling moet worden gedaan door een opgeleid, kundig persoon.

Aanbevolen stationair toerental: Zie hoofdstuk Technische gegevens.

Fijnafstelling van schroef T

Het stationair toerental wordt afgesteld met de schroef T. Als afstelling nodig is, moet u terwijl de motor draait, de schroef met de klok mee draaien tot de ketting begint te roteren. Draai daarna de schroef tegen de klok in tot de ketting stilstaat. Het stationair toerental is correct afgesteld wanneer de motor in alle posities gelijkmatig draait en dit met een goede marge tot het toerental waarbij de ketting begint te draaien.



WAARSCHUWING! Als het stationair toerental niet zo kan worden afgesteld dat de ketting stilstaat, dient u uw dealer te raadplegen. Gebruik de motorzaag nooit voor ze correct is afgesteld of gerepareerd.

Correct afgestelde carburateur

Een correct afgestelde carburateur houdt in dat de machine zonder enige aarzeling accelereert en dat de machine een ietsje "alt" bij vol gas geven. Verder mag de ketting niet roteren bij stationair draaien. Een te arm afgestelde L-naald kan tot startmoeilijkheden en slecht accelereren leiden. Een te arm afgestelde H-naald leidt tot een lager vermogen van de machine, een slechte acceleratie en/of motorbeschadiging.

Controle, onderhoud en service van de veiligheidsuitrusting van de motorkettingzaag

Let op! Om service en reparaties aan de machine uit te voeren, is een speciale opleiding nodig. Dit geldt vooral voor de veiligheidsuitrusting van de machine. Als de machine één van de volgende controles niet goed doorstaat, raden wij aan dat u naar uw servicewerkplaats gaat.

Kettingrem met terugslagbeveiliging

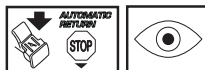
Controle van slijtage aan de remvoering



Maak de kettingrem en de koppelingtrommel vrij van spaanders, hars en vuil. Vuil en slijtage hebben een negatieve invloed op het remvermogen. (96)

Controleer regelmatig of de dikte van de remvoering op de meest versleten plaats tenminste 0,6 mm bedraagt.

Terugslagbeveiliging controleren



Controleer of de terugslagbeveiliging geen zichtbare beschadigingen vertoont zoals materiaalbarsten.

Duw de terugslagbeveiliging naar voren en terug om te controleren of hij makkelijk loopt en of hij stabiel verankerd is bij zijn verbinding in het koppelingdeksel.

Controle van het traagheidsmechanisme



Hou de motorzaag, met de motor uit, boven een boomstronk of een ander stabiel voorwerp. Laat de voorhandgreep los en laat de motorzaag door zijn eigen gewicht, draaiend rond de achterhandgreep, naar de stronk vallen. (97)

Wanneer de punt van het zaagblad de stronk raakt, moet de rem geactiveerd worden. (98)

Remvermogen controleren

Plaats de motorkettingzaag op een stabiele ondergrond en start ze. Zorg ervoor dat de zaagketting niet in contact kan komen met de grond of een ander voorwerp. Zie instructies onder de kop Starten en stoppen. (99)

Hou de motorkettingzaag stevig vast met uw duimen en vingers stevig om de handvatten.

Geef volgas en activeer de kettingrem door uw linkerpolss naar de terugslagbeveiliging te bewegen. Laat het voorste handvat niet los. **De ketting moet onmiddellijk stoppen. (58)**

ONDERHOUD

Gashendelvergrendeling



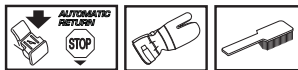
- Controleer of de gashendel vergrendeld is in de stationaire stand wanneer de gashendelvergrendeling in de oorspronkelijke stand staat. (100)
- Druk de gashendelvergrendeling in en controleer of ze teruggaat naar de oorspronkelijke positie wanneer u haar loslaat. (101)
- Controleer of de gashendel en de gashendelvergrendeling vlot lopen en of hun terugspringveersystemen werken. (102)
- Start de motorkettingzaag en geef vol gas. Laat de gashendel los en controleer of de ketting stopt en stil blijft staan. Als de ketting roteert wanneer de gashendel in de stationaire stand staat, moet de stationaire instelling van de carburateur gecontroleerd worden.

Kettingvanger



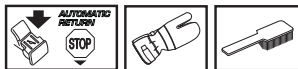
Controleer of de kettingvanger niet beschadigd is en of hij vast zit in de motorzaaghuis. (103)

Rechterhandbescherming



Controleer of de rechterhandbeveiliging geen zichtbare beschadigingen vertoont, bijv. materiaalbarsten. (11)

Trillingdempingssysteem



Controleer het trillingdempingselement regelmatig op materiaalbarsten en vervormingen. Controleer of het trillingdempingselement vast verankerd is tussen de motoreenheid en de handvateenheid. (104)

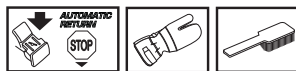
Stopschakelaar



Start de motor en controleer of de motor wordt uitgeschakeld wanneer de stopschakelaar in de stopstand wordt gezet. (59)

N.B.! De start/stopknop gaat automatisch terug naar bedrijfsstand. Om een onbedoelde start te voorkomen, moet daarom altijd het ontstekingsmechanisme van de bougie worden gehaald bij montage, controle en/of onderhoud.

Geluiddemper



Gebruik de machine nooit wanneer de geluiddemper defect is.

Controleer regelmatig of de geluiddemper vastzit in de machine. (105)

Bepaalde geluiddempers zijn voorzien van een speciaal vonkenopvangnet. Indien uw machine uitgerust is met zo'n geluiddemper, moet u het net minstens één keer per week schoonmaken. Gebruik bij voorkeur een stalen borstel. Een verstopt net leidt tot oververhitting van de motor wat tot ernstige beschadigingen van de motor leidt.

Let op! Een beschadigd net mag nooit worden teruggeplaatst. Bij verstopping van het net zal de machine oververhitten waardoor de zuiger en cilinder kunnen worden beschadigd. Gebruik de machine nooit als de geluiddemper in slechte staat is. **Gebruik de knalpot nooit wanneer het vonkenopvangnet ontbreekt of defect is.** (13)

De geluiddemper is ontworpen om het geluid van de machine te reduceren, en om de uitlaatgassen van de gebruiker weg te richten. De uitlaatgassen zijn zeer heet en bevatten vonken die droge en ontvlambare materialen in brand kunnen steken.

Starter



WAARSCHUWING! De in het starterhuis gemonteerde terugspringveer is opgespannen en kan eruit springen als men niet voorzichtig tewerk gaat en kan dan persoonlijke verwondingen veroorzaken.

Wees altijd voorzichtig bij het vervangen van de veer of het startkoord. Gebruik een beschermingsbril en beschermingshandschoenen.

Startkoord vervangen



- Draai de schroeven los waarmee de starter op het carter bevestigd is en verwijder de starter. (106)
- Trek het startkoord ca. 30 cm uit en til ze op tot de inkeping in de periferie van de schijf. Nulstel de terugspringveer door de schijf langzaam achteruit te draaien. (107)
- Maak de schroef in het midden van de koordschijf los en haal meenemerwiel (A), meenemerveer (B) en koordschijf (C) weg. Bevestig een nieuw startkoord in de schijf en maak vast. Wikkel het startkoord circa 3 keer rond de koordschijf. Monteer de koordschijf op de retourveer (D), zodat het uiteinde van de retourveer in de schijf haakt. Monteer vervolgens meenemerveer,

ONDERHOUD

meenemerwiel en de schroef in het midden van de koordschijf. Leid het startkoord door de opening in het starterhuis en de starthendel. Maak daarna een stevige knoop in het startkoord. **(108)**

De terugspringveer spannen

- Plaats het startkoord in de inkeping van de schijf en draai de schijf 2 slagen naar rechts.

Let op! Controleer of de schijf, wanneer het startkoord volledig uitgetrokken is, tenminste een halve slag gedraaid kan worden. **(109)**

Strek het koord met de handgreep. Verplaats uw duim en laat het koord los. Zie onderstaande afbeelding. **(110)**

Vervangen van retour- en meenemerveer



Retourveer (A)

- Til de koordpoelie op. Zie instructies in het hoofdstuk Een gebroken of versleten startkoord vervangen. Denk eraan dat de terugstelveer opgespannen in het starterhuis ligt.
- Verwijder de cassette met de terugstelveer uit de starter.
- Smeer de terugstelveer in met dunne olie. Monteer de cassette met de terugstelveer in de starter. Monteer de koordpoelie en span de terugstelveer op.

Meenemerveer (B)

- Maak de schroef in het midden van de koordschijf los en haal meenemerwiel en meenemerveer weg.
- Vervang de meenemerveer en monteer het meenemerwiel bovenop de veer. **(111)**

Starter monteren

- Monteer de starter door eerst het startkoord volledig uit te trekken en daarna de starter op het carter te plaatsen. Laat het startkoord langzaam los zodat de starthaken in het wiel grijpen.
- Monteer de schroeven die de starter op zijn plaats houden en draai ze vast.

Luchtfilter



Het luchtfilter dient regelmatig te worden schoongemaakt (stof en vuil verwijderen) om de volgende problemen te vermijden:

- Storingen van de carburateur
- Moelijkheden bij het starten
- Vermogensverlies
- Onnodige slijtage van de motoronderdelen.
- Abnormaal hoog brandstofverbruik

- Demonteer het luchtfilter door het cilinderdeksel te verwijderen en schroef het luchtfilter eraf. Bij het weer in elkaar zetten dient u te controleren dat het filter dicht tegen de filterhouder ligt. Reinig het filter door het te schudden of af te borstelen. **(112)**

Voor grondiger reinigen kunt u water en zeep gebruiken.

Na een lange gebruikperiode kan het luchtfilter niet meer worden gereinigd. Daarom moet het filter regelmatig vervangen worden. **Een beschadigd luchtfilter moet altijd vervangen worden.**

Een HUSQVARNA motorkettingzaag kan uitgerust worden met verschillende luchtfiltertypes afhankelijk van de werkomgeving, de weersomstandigheden, het seizoen enz. Vraag uw dealer om advies.

Bougie



De volgende factoren zijn van invloed op de conditie van de bougie:

- Een incorrecte afstelling van de carburateur.
- Een verkeerd oliemengsel in de brandstof (te veel of verkeerde olie).
- Een vuil luchtfilter.

Deze factoren veroorzaken afzettingen op de elektroden van de bougie, wat tot motordefecten en startmoeilijkheden kan leiden.

Wanneer de machine te weinig vermogen heeft, moeilijk start of onregelmatig onbelast draait, dient u altijd eerst de bougie te controleren voor u andere maatregelen neemt. Maak de bougie schoon als ze verstopt is en controleer of de afstand tussen de elektroden 0,5 mm bedraagt. De bougie moet na een maand gebruik, of eerder indien nodig, vervangen worden. **(113)**

Let op! Gebruik steeds het correcte bougietype! Andere types kunnen de zuiger/cilinder beschadigen. Zorg ervoor dat de bougie zog. radio-ontstoring heeft.

Naaldlager smeren



De koppelingstrommel is voorzien van een naaldlager op de uitgaande as. Dit naaldlager moet regelmatig worden gesmeerd.

Bij het smeren wordt het koppelingsdeksel gedemonteerd door de twee moeren van het zaagblad los te draaien. Leg de zaag op zijn zijkant neer, met de koppelingstrommel omhoog.

U smeert door motorolie in het midden van de koppelingstrommel te druppelen terwijl de koppelingstrommel wordt gedraaid. **(114)**

Koelsysteem



Om de werktemperatuur zo laag mogelijk te houden, is de machine uitgerust met een koelsysteem.

Het koelsysteem bestaat uit:

- 1 Luchtinlaat in de starter.
- 2 Luchtgeleidingsrail.
- 3 Ventilatorschoepen op het vliegwiel.
- 4 Koelflenzen op de cilinder.
- 5 Cilinderkap (leidt de koellucht naar de cilinder). (115)

Maak het koelsysteem één keer per week schoon met een borstel; dit moet vaker gebeuren wanneer u in moeilijke omstandigheden werkt. Een vuil of verstopt koelsysteem leidt tot oververhitting van de machine waardoor de cilinder en zuiger beschadigd kunnen worden.

Centrifugaal reinigen "Air Injection"

Centrifugaal reinigen houdt het volgende in: Alle lucht naar de carburateur gaat door de starter. Vuil en stof worden weggeblazen door de koelventilator. (116)

BELANGRIJK! Om de werking van de centrifugaalreiniging niet in gevaar te brengen, moet hij goed onderhouden worden. Maak de luchtinlaat van de starter, de ventilatorschoepen van het vliegwiel, de ruimte rond het vliegwiel, de inlaatpijp en de carburateurruimte schoon.

Gebruik in de winter

Wanneer de machine wordt gebruikt bij kou of sneeuw kunnen storingen in de werking optreden die worden veroorzaakt door:

- Een te lage motortemperatuur.
- Ijsvorming op luchtfilter en bevrozing in de carburateur.

Men dient daarom speciale maatregelen te treffen, zoals:

- De luchtinlaat van de starter verminderen en zo de werktemperatuur van de motor verhogen.

Temperaturen van -5°C of lager



Voor werken met de machine bij lage temperaturen of in poedersneeuw, is er een speciaal deksel verkrijgbaar dat op het huis van het startapparaat wordt gemonteerd. Hierdoor wordt de koude luchtstroom gereduceerd en voorkomt men dat er grote hoeveelheden sneeuw naar binnen worden gezogen. (117)

N.B.! Indien een speciale winterset is gemonteerd of er maatregelen getroffen zijn om de motortemperatuur te verhogen, moet de afstelling weer worden aangepast als de machine onder normale omstandigheden wordt gebruikt. Anders is er risico op oververhitting, waardoor de motor ernstig beschadigd kan worden.

BELANGRIJK! Al het overige onderhoud dat niet in dit handboek wordt genoemd moet uitgevoerd worden door een erkende werkplaats (dealer).

ONDERHOUD

Onderhoudsschema

Hieronder volgt een lijst van het onderhoud dat aan de machine moet worden uitgevoerd. De meeste punten staan beschreven in het hoofdstuk Onderhoud.

Dagelijks onderhoud	Wekelijks onderhoud	Maandelijks onderhoud
Maak de machine uitwendig schoon.	Controleer het koelsysteem wekelijks.	Controleer de remvoering van de kettingrem op slijtage. Vervang deze wanneer minder dan 0,6 mm over is op de meest versleten plaats.
Controleer of de delen van de gashendel goed werken. (Gashendelvergrendeling en gashendel.)	Controleer de starter, het startkoord en de terugspringveer.	Controleer het centrum van de koppeling, de koppelingtrommel en de koppelingveer op slijtage.
Maak de kettingrem schoon en controleer de remfunctie. Controleer de kettingvanger op beschadigingen en vervang indien nodig.	Controleer of de trillingsdempingselementen niet beschadigd zijn.	Maak de bougie schoon. Controleer of de afstand tussen de elektroden 0,5 mm bedraagt.
Het zaagblad moet voor evenwichtig afslijten regelmatig worden omgedraaid. Controleer of de opening om het zaagblad te smeren niet verstopt is. Maak de groef schoon.	Smeer het lager van de koppelingtrommel.	Maak de buitenkant van de carburateur schoon.
Controleer of de ketting en het zaagblad voldoende olie krijgen.	Verwijder eventuele braam op de zijkanen van het zaagblad met een vijl.	Controleer het brandstoffilter en de brandstofleidingen. Vervang indien nodig.
Controleer de zaagketting op zichtbare barsten in klinken en schakels, of de ketting stijf is en of klinken en schakels abnormaal versleten zijn. Vervang indien nodig.	Maak het vonkenopvangnet van de geluiddemper schoon of vervang het.	Leeg de brandstoftank en maak deze inwendig schoon.
Slijp de ketting en controleer de conditie en de spanning. Controleer het kettingwiel op abnormale slijtage, vervang indien nodig.	Maak de carburateurruimte schoon.	Leeg de olietank en maak deze inwendig schoon.
Maak de luchtinlaat van de starter schoon.	Maak het luchtfilter schoon. Vervang het indien nodig.	Controleer alle kabels en aansluitingen.
Controleer of de bouten en moeren en vastgedraaid zijn.		
Controleer of de stopschakelaar werkt.		
Controleer of er brandstof lekt uit motor, tank of brandstofleidingen.		
Controleer of de ketting onbeweeglijk blijft wanneer de motor stationair loopt.		

TECHNISCHE GEGEVENS

Technische gegevens

	435 II	435e II	440 II	440e II
Motor				
Cilinderinhoud, cm ³	40,9	40,9	40,9	40,9
Cilinderdiameter, mm	41	41	41	41
Slaglengthe, mm	31	31	31	31
Stationair toerental, t/min	2900	2900	2900	2900
Vermogen, kW/ t/min	1,6/9000	1,6/9000	1,8/9000	1,8/9000
Ontstekingsstelsel				
Bougie	NGK BPMR 7A/ Champion RCJ 7Y	NGK BPMR 7A/ Champion RCJ 7Y	NGK BPMR 7A/ Champion RCJ 7Y	NGK BPMR 7A/ Champion RCJ 7Y
Elektrodenafstand, mm	0,5	0,5	0,5	0,5
Brandstof-/smeersysteem				
Inhoud benzinetank, liter	0,37	0,37	0,37	0,37
Capaciteit oliepomp bij 9.000 omw./ min., ml/min.	13	13	13	13
Inhoud olietank, liter	0,25	0,25	0,25	0,25
Type oliepomp	Automatisch	Automatisch	Automatisch	Automatisch
Gewicht				
Motorzaag zonder zaagblad, ketting en met lege tanks, kg	4,2	4,4	4,2	4,4
Lawaai-emissie (zie opm. 1)				
Geluidsvermogen, gemeten dB(A)	112	112	113	113
Geluidsvermogen, gegarandeerd L _{WA} dB(A)	114	114	114	114
Geluidsniveau (zie opm. 2)				
Equivalent geluidsniveau bij oor van de gebruiker, dB(A)	102	102	102	102
Equivalent trillingsniveau, a_{hveq} (zie opm. 3)				
Voorste handvat, m/s ²	2,5	2,5	2,5	2,5
Achterste handvat, m/s ²	3,2	3,2	3,2	3,2
Ketting/zaagblad				
Standaard zaagbladlengthe, duim/cm	13"/33	13"/33	13/33	13"/33
Aanbevolen zaagbladlengthes, duim/cm	13-18/33-45	13-18/33-45	13-18/33-45	13-18/33-45
Effectieve zaaglengthe, duim/cm	12-17/31-43	12-17/31-43	12-17/31-43	12-17/31-43
Steek, duim/mm	0,325/8,25	0,325/8,25	0,325/8,25	0,325/8,25
Dikte van de aandrijfschakel, duim/mm	0,050/1,3	0,050/1,3	0,050/1,3	0,050/1,3
Type aandrijfwielen/aantal tanden	Spur/7	Spur/7	Spur/7	Spur/7
Kettingsnelheid op 133% van maximale motorsnelheid, m/s.	23,1	23,1	23,1	23,1

Opm. 1: Emissie van geluid naar de omgeving gemeten als geluidsvermogen (L_{WA}) volgens EG-richtlijn 2000/14/EG.

Opm. 2: Het equivalente geluidsdrukkniveau, volgens ISO 22868, wordt berekend als de tijdsgewogen energiesom van de geluidsdrukkniveaus onder verschillende werkomstandigheden. De typische statistische spreiding voor het equivalente geluidsdrukkniveau geeft een standaardafwijking van 1 dB (A).

Opm. 3: Het equivalente trillingsniveau, volgens ISO 22867, wordt berekend als de tijdsgewogen energiesom van de trillingsniveaus onder verschillende werkomstandigheden. De gerapporteerde gegevens voor het equivalente trillingsniveau vertonen een typische statistische spreiding (standaardafwijking) van 1 m/s².


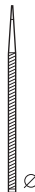
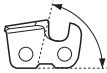




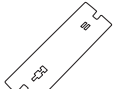
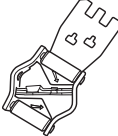
TECHNISCHE GEGEVENS

Zaagblad- en kettingcombinaties

De volgende snijuitrustingen zijn goedgekeurd voor de modellen Husqvarna 435 II, 435e II, 440 II en 440e II.

Zaagblad				Ketting	
Lengte, duim	Steek, duim	Spoorbreedte, mm	Maximum aantal tanden neuswiel	Type	Lengte, aandrijfschakels (stuk)
13	0,325	1,3	10T	Husqvarna H30	56
15					64
16					66
18					72

Vijlen en vijlmallen van de zaagketting

								
	inch/mm					inch/mm		
H30	3/16 / 4,8	85°	30°	10°	0,025 / 0,65	5056981-00	5056981-08	

EG-verklaring van overeenstemming

(Alleen geldig voor Europa)

Husqvarna AB, SE-561 82 Huskvarna, Zweden, tel: +46-36-146500, verklaart hierbij dat de **Husqvarna motorkettingzagen voor bosbouwtoepassingen 435 II, 435e II, 440 II en 440e II** met een serienummer uit 2013 en verder (het jaar met daaropvolgend een serienummer wordt duidelijk aangegeven op het productplaatje), in overeenstemming zijn met de voorschriften in de RICHTLIJN VAN DE RAAD:

- van 17 mei 2006 "betreffende machines" **2006/42/EG**
- van 15 december 2004 "betreffende elektromagnetische compatibiliteit" **2004/108/EEC**.
- van 8 mei 2000 "betreffende geluidsemissie door materieel voor gebruik buitenshuis" **2000/14/EG**.

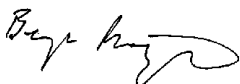
Voor informatie betreffende lawaaiemissies, zie hoofdstuk Technische gegevens. De volgende normen zijn van toepassing: **EN ISO 12100:2010, ISO 14982:2009, EN ISO 11681-1:2011**

Aangemelde instantie: **0404, SMP Svensk Maskinprovning AB**, Box 7035, SE-750 07 Uppsala, Zweden, heeft een EG-typecontrole uitgevoerd volgens artikel 12, punt 3b, van de machinerichtlijn (2006/42/EG). De certificaten van de EG-typecontrole volgens bijlage IX hebben nummer: **0404/09/2012** - 435 II, 435e II, 440 II, 440e II.

Verder heeft SMP, Svensk Maskinprovning AB, Box 7035, SE-750 07 Uppsala, Zweden, een verklaring afgegeven van overeenstemming met bijlage V van de richtlijn van de raad van 8 mei 2000 "betreffende geluidsemissie door materieel voor gebruik buitenshuis" 2000/14/EG. De certificaten hebben nummer: **01/161/075** - 435 II, 435e II, **01/161/074** - 440 II, 440e II.

De geleverde motorkettingzaag komt overeen met het exemplaar dat een EG-typecontrole heeft ondergaan.

Husqvarna, 8 april 2013



Bengt Frögelius, Hoofd Ontwikkeling Motorzaag (erkende vertegenwoordiger voor Husqvarna AB en verantwoordelijk voor technische documentatie.)

ACLARACIÓN DE LOS SÍMBOLOS

Símbolos en la máquina:

¡ATENCIÓN! ¡Las motosierras pueden ser peligrosas! Su uso descuidado o erróneo puede provocar heridas graves o mortales al operador o terceros.

Lea detenidamente el manual de instrucciones y asegúrese de entender su contenido antes de utilizar la máquina.

Utilice siempre:

- Casco protector homologado
- Protectores auriculares homologados
- Gafas protectoras o visor

Este producto cumple con la directiva CE vigente.

Las emisiones sonoras en el entorno según la directiva de la Comunidad Europea. Las emisiones de la máquina se indican en el capítulo Datos técnicos y en la etiqueta.

Encendido; estrangulador: Ponga el estrangulador en la posición de estrangulamiento. Entonces, el botón de parada se desplazará automáticamente hacia la posición de arranque.

Carga de combustible.

Rellenado de aceite para cadena.

Bomba de combustible.

Ajuste de la bomba de aceite.

Freno de cadena, activado (derecha). Freno de cadena, no activado (izquierda).

Los demás símbolos/etiquetas que aparecen en la máquina corresponden a requisitos de homologación específicos en determinados mercados.



Símbolos en el manual de instrucciones:

Los trabajos de control y/o mantenimiento deben efectuarse con el motor desconectado. ¡NOTA! El contacto de arranque/parada retorna automáticamente a la posición de marcha. Por consiguiente, para evitar el arranque involuntario hay que quitar siempre el capuchón de encendido de la bujía antes de realizar trabajos de montaje, control y/o mantenimiento.

Utilice siempre guantes protectores homologados.

La máquina debe limpiarse regularmente.

Control visual.

Debe utilizarse gafas protectoras o visor.

Carga de combustible.

Carga de aceite y regulación del caudal de aceite.

El freno de cadena debe estar activado al poner en marcha la motosierra.

¡ATENCIÓN! Si la punta de la espada toca en un objeto se puede producir reculada que lanza la espada hacia arriba y atrás contra el usuario. Ello puede causar daños personales graves.



Índice

ACLARACIÓN DE LOS SÍMBOLOS

Símbolos en la máquina:	217
Símbolos en el manual de instrucciones:	217

ÍNDICE

Índice	218
--------------	-----

INTRODUCCIÓN

Apreciado cliente:	219
--------------------------	-----

¿QUÉ ES QUÉ?

¿Qué es qué en la motosierra?	219
-------------------------------------	-----

INSTRUCCIONES GENERALES DE SEGURIDAD

Medidas a tomar antes de utilizar una motosierra nueva	220
Importante	221
Emplee siempre el sentido común	221
Equipo de protección personal	221
Equipo de seguridad de la máquina	221
Equipo de corte	224

MONTAJE

Montaje de la espada y la cadena	228
--	-----

MANIPULACION DEL COMBUSTIBLE

Carburante	229
Repostaje	230
Seguridad en el uso del combustible	230

ARRANQUE Y PARADA

Arranque y parada	231
-------------------------	-----

TÉCNICA DE TRABAJO

Antes de utilizar la máquina:	233
Instrucciones generales de trabajo	233
Medidas preventivas de las reculadas	237

MANTENIMIENTO

Generalidades	238
Ajuste del carburador	238
Control, mantenimiento y servicio del equipo de seguridad de la motosierra	238
Silenciador	239
Mecanismo de arranque	239
Filtro de aire	240
Bujía	240
Lubricación del cojinete de agujas	240
Sistema refrigerante	241
Depuración centrífuga "Air Injection"	241
Utilización en invierno	241
Programa de mantenimiento	242

DATOS TÉCNICOS

Datos técnicos	243
Combinaciones de espada y cadena	244
Afilado y calibres de afilado de la cadena de sierra	244
Declaración CE de conformidad	244

INTRODUCCIÓN

Apreciado cliente:

¡Felicidades por haber adquirido un producto Husqvarna! La historia de Husqvarna data del año 1689, cuando el Rey Karl XI encargó la construcción de una fábrica en la ribera del río Huskvarna para la fabricación de mosquetes. La ubicación junto al río Huskvarna era lógica dado que el río se utilizaba para generar energía hidráulica. Durante los más de 300 años de existencia de la fábrica Husqvarna, se han fabricado productos innumerables; desde estufas de leña hasta modernas máquinas de cocina, máquinas de coser, bicicletas, motocicletas, etc. En 1956 se introdujo el primer cortacésped motorizado, seguido de la motosierra en 1959; y es en este segmento en el que actualmente trabaja Husqvarna.

Husqvarna es hoy uno de los principales fabricantes del mundo de productos de bosque y jardín, con la calidad y las prestaciones como principal prioridad. La idea de negocio es desarrollar, fabricar y comercializar productos motorizados para silvicultura y jardinería, así como para las industrias de construcción y obras públicas. Husqvarna tiene como objetivo estar en la vanguardia por lo que respecta a ergonomía, facilidad de empleo, seguridad y consideración ambiental; motivo por el cual ha desarrollado una serie de detalles para mejorar los productos en estas áreas.

Estamos convencidos de que usted apreciará con satisfacción la calidad y prestaciones de nuestro producto por mucho tiempo en adelante. Con la adquisición de alguno de nuestros productos, usted dispone de asistencia profesional con reparaciones y servicio en caso de ocurrir algo. Si ha adquirido el producto en un punto de compra que no es uno de nuestros concesionarios autorizados, pregúnteles por el taller de servicio más cercano.

Esperamos que su máquina le proporcione plena satisfacción y le sirva de ayuda por mucho tiempo en adelante. Tenga en cuenta que este manual de instrucciones es un documento de valor. Siguiendo sus instrucciones (de uso, servicio, mantenimiento, etcétera) puede alargar considerablemente la vida útil de la máquina e incrementar su valor de reventa. Si vende su máquina, entregue el manual de instrucciones al nuevo propietario.

¡Gracias por utilizar un producto Husqvarna!

Husqvarna AB trabaja constantemente para perfeccionar sus productos y se reserva, por lo tanto, el derecho a introducir modificaciones en la construcción y el diseño sin previo aviso.

¿Qué es qué en la motosierra? (1)

- 1 Cubierta del cilindro
- 2 Bomba de combustible.
- 3 Recordatorio de arranque
- 4 Contacto de arranque y parada combinado
- 5 Mango trasero
- 6 Etiqueta adhesiva de información y advertencia
- 7 Depósito de combustible
- 8 Tornillos de reglaje del carburador
- 9 Empuñadura de arranque
- 10 Mecanismo de arranque
- 11 Depósito de aceite de cadena
- 12 Placa de identificación
- 13 Marca de orientación de tala
- 14 Mango delantero
- 15 Protección contra reculadas
- 16 Silenciador
- 17 Cadena
- 18 Cabezal de rueda
- 19 Espada
- 20 Apoyo de corteza
- 21 Captor de cadena
- 22 Tornillo de tensado de cadena (435 II, 440 II)
- 23 Cubierta del embrague (435 II, 440 II)
- 24 Protección de la mano derecha
- 25 Acelerador
- 26 Fiador del acelerador
- 27 Cubierta del embrague (435e II, 440e II)
- 28 Rueda de tensor de cadena
- 29 Manija
- 30 Manual de instrucciones
- 31 Llave combinada
- 32 Protección de la espada

INSTRUCCIONES GENERALES DE SEGURIDAD

Medidas a tomar antes de utilizar una motosierra nueva

- Lea detenidamente el manual de instrucciones.
- (1) - (117) refiérase a las figuras en p. 2-6.
- Compruebe el montaje y ajuste del equipo de corte. Vea las instrucciones bajo el título Montaje.
- Ponga combustible y arranque la motosierra. Vea las instrucciones en los capítulos Manipulación del combustible y Arranque y parada.
- No utilice la motosierra hasta que haya llegado suficiente aceite lubricante a la cadena. Vea las instrucciones bajo el título Equipo de corte.
- La exposición prolongada al ruido puede causar daños crónicos en el oído. Por consiguiente, use siempre protectores auriculares homologados.



¡ATENCIÓN! Bajo ninguna circunstancia debe modificarse la configuración original de la máquina sin autorización del fabricante. Utilizar siempre recambios originales. Las modificaciones y/o la utilización de accesorios no autorizadas pueden ocasionar accidentes graves o incluso la muerte del operador o de terceros.



¡ATENCIÓN! La utilización errónea o descuidada de una motosierra puede convertirla en una herramienta peligrosa que puede causar accidentes graves e incluso mortales. Es muy importante que lea y comprenda el contenido de este manual de instrucciones.



¡ATENCIÓN! En el interior del silenciador hay sustancias químicas que pueden ser cancerígenas. Evitar el contacto con estas sustancias si se daña el silenciador.



¡ATENCIÓN! La inhalación prolongada de los gases de escape del motor, la neblina de aceite de cadena y el polvo de serrín puede poner en riesgo la salud.



¡ATENCIÓN! Esta máquina genera un campo electromagnético durante el funcionamiento. Este campo magnético puede, en determinadas circunstancias, interferir con implantes médicos activos o pasivos. Para reducir el riesgo de lesiones graves o letales, las personas que utilizan implantes médicos deben consultar a su médico y al fabricante del implante antes de emplear esta máquina.



¡ATENCIÓN! No permita nunca que los niños utilicen la máquina ni permanezcan cerca de ella. Dado que la máquina tiene un contacto de parada con retorno por muelle y puede arrancar con poca velocidad y fuerza en la empuñadura de arranque, incluso niños pequeños pueden, en determinadas circunstancias, lograr la fuerza necesaria para arrancar la máquina. Ello puede comportar riesgo de daños personales graves. Por consiguiente, saque el capuchón de encendido cuando va a dejar la máquina sin vigilar.

INSTRUCCIONES GENERALES DE SEGURIDAD

Importante

¡IMPORTANTE!

Esta motosierra para los servicios forestales está concebida para realizar tareas en el bosque como la tala, la poda y el corte.

La utilización de esta máquina podría estar regulada por la legislación nacional.

Utilice solamente las combinaciones de espada/cadena de sierra recomendadas en el capítulo Datos técnicos.

Nunca utilice la máquina si está cansado, si ha ingerido alcohol o si toma medicamentos que puedan afectarle la vista, su capacidad de discernimiento o el control del cuerpo.

Utilice el equipo de protección personal. Vea las instrucciones bajo el título "Equipo de protección personal".

No modifique nunca esta máquina de forma que se desvíe de la versión original, y no la utilice si parece haber sido modificada por otras personas.

No utilice nunca una máquina defectuosa. Lleve a cabo las comprobaciones de seguridad y siga las instrucciones de mantenimiento y servicio de este manual. Algunas medidas de mantenimiento y servicio deben ser efectuadas por especialistas formados y cualificados. Consulte las instrucciones del apartado Mantenimiento.

Nunca utilice otros accesorios que los recomendados en este manual. Vea las instrucciones bajo los títulos Equipo de corte y Datos técnicos.

¡NOTA! Utilice siempre gafas protectoras o visera para reducir el riesgo de daños causados por objetos lanzados. Una motosierra puede lanzar con gran fuerza objetos como virutas, trozos de madera pequeños, etc. Ello comporta riesgo de daños personales graves, especialmente en los ojos.



¡ATENCIÓN! Si se hace funcionar el motor en un local cerrado o mal ventilado, se corre riesgo de muerte por asfixia o intoxicación con monóxido de carbono.



¡ATENCIÓN! Un equipo de corte defectuoso o una combinación errónea de espada/cadena de sierra aumentan el riesgo de reculadas. Utilice solamente las combinaciones de espada/cadena de sierra recomendadas y siga las instrucciones. Vea las instrucciones bajo el titular Datos técnicos.

Emplee siempre el sentido común (2)

Es imposible abarcar todas las situaciones imaginables que se pueden producir al utilizar una motosierra. Proceda con cuidado y emplee el sentido común. Evite

todo uso para el cual no se sienta suficientemente calificado. Si después de leer estas instrucciones todavía se siente inseguro en cuanto al procedimiento de uso, consulte con un experto antes de proseguir. No dude en ponerse en contacto con el distribuidor o con nosotros si tiene alguna duda en cuanto al empleo de la motosierra. Estamos a su disposición para darle consejos que le ayuden a emplear su motosierra de forma mejor y más segura. Le recomendamos hacer un cursillo sobre empleo de motosierras. El distribuidor local, una escuela de silvicultura o una biblioteca pueden informarle acerca del material de formación y los cursos disponibles. Se realiza un trabajo constante de mejoras del diseño y la técnica, que aumentan su seguridad y eficacia. Visite al distribuidor local regularmente para averiguar qué provecho pueden proporcionarle las novedades que se introducen.

Equipo de protección personal



¡ATENCIÓN! La mayoría de los accidentes con la motosierra se producen cuando la cadena toca al usuario. Para trabajar con la máquina debe utilizarse un equipo de protección personal homologado. El equipo de protección personal no elimina el riesgo de lesiones, pero reduce su efecto en caso de accidente. Pida a su distribuidor que le asesore en la elección del equipo.

- Casco protector homologado
- Protectores auriculares
- Gafas protectoras o visor
- Guantes con protección anticorte
- Pantalones con protección contra sierra
- Botas con protección anticorte, puntera de acero y suela antideslizante
- Tenga siempre a mano el equipo de primeros auxilios.
- Extintor de incendios y pala

Utilice prendas ajustadas que no limiten su movilidad.

¡IMPORTANTE! Pueden producirse chispas en el silenciador, la espada y la cadena o en otra fuente. Tenga siempre a mano herramientas para extinguir incendios, por si fueran necesarias. Así ayudará a prevenir incendios forestales.

Equipo de seguridad de la máquina

En este capítulo se explican los componentes de seguridad de la máquina y sus funciones. Para el control y mantenimiento, vea las instrucciones del capítulo Control, mantenimiento y servicio del equipo de seguridad de la motosierra. Vea el capítulo Componentes de la máquina para ver dónde están situados estos componentes en su máquina.

INSTRUCCIONES GENERALES DE SEGURIDAD

La vida útil de la máquina puede acortarse y el riesgo de accidentes puede aumentar si el mantenimiento de la máquina no se hace de forma adecuada y si los trabajos de servicio y/o reparación no se efectúan de forma profesional. Para más información, consulte con el taller de servicio oficial más cercano.



¡ATENCIÓN! No emplee nunca una máquina con equipo de seguridad defectuoso. El equipo de seguridad se debe controlar y mantener. Vea las instrucciones del capítulo Control, mantenimiento y servicio del equipo de seguridad de la motosierra. Si el control de su máquina no da resultado satisfactorio, hay que acudir a un taller de servicio para la reparación.

Freno de cadena con protección contra reculadas

Su motosierra está equipada con un freno de cadena diseñado para detener la cadena de sierra en caso de reculada. Un freno de cadena reduce el riesgo de accidentes, pero sólo es usted, el usuario, quien puede impedirlos. (3)

Proceda con cuidado en la utilización de la sierra, procurando que el sector de riesgo de reculada de la espada nunca toque ningún objeto. (4)

- El freno de cadena (A) se activa bien manualmente (con la mano izquierda) o por efecto de la inercia. (5)
- La activación se produce al empujar hacia delante la protección contra reculadas (B). (5)
- El movimiento activa un mecanismo de muelle que tensa la cinta del freno (C) alrededor del sistema de arrastre de la cadena (D) en el motor (tambor de embrague). (6)
- La protección contra reculadas no sólo activa el freno de cadena. También cumple otra función importante: reduce el riesgo de que la mano izquierda toque la cadena si el usuario suelta el mango delantero.
- El freno de cadena debe estar activado cuando se arranca la motosierra, para impedir que la cadena gire. (55)
- Utilice el freno de cadena como 'freno de estacionamiento' al arrancar y para los traslados cortos a fin de prevenir accidentes por contacto involuntario de usted o el entorno con la cadena de sierra en movimiento. No deje la motosierra conectada con el freno de cadena activado por mucho tiempo. La motosierra puede alcanzar una temperatura muy alta.
- Para liberar el freno de cadena, mueva hacia atrás (en dirección a la empuñadura del mango) la protección contra reculadas con la inscripción «TIRAR HACIA ATRÁS PARA REINICIAR».
- Las reculadas pueden ser rapidísimas y muy violentas. La mayoría de las reculadas son pequeñas

y, por tanto, no siempre activan el freno de cadena. En estos casos debe sujetarse a la motosierra con fuerza, sin soltarla.

- El modo de activación del freno de cadena, manual o por inercia, depende de la fuerza de la reculada y de la posición de la motosierra en relación al objeto con el que toca el sector de riesgo de reculada de la espada.

En reculadas fuertes y con el sector de riesgo de reculada de la espada lo más lejos posible del usuario, el freno de cadena está diseñado para ser activado por su propio contrapeso (inercia) en el sentido de reculada. (7)

En las reculadas poco violentas, o al trabajar con el sector de riesgo de reculada cerca del usuario, el freno de cadena se activa manualmente con la mano izquierda.

- En posición de tala, la mano izquierda está en una posición que permite la activación manual del freno de cadena. Con este agarre, cuando la mano izquierda está colocada de forma que no puede influir en el movimiento de la protección contra reculada, el freno de cadena sólo se puede activar mediante la función de inercia. (8)

¿Activará siempre mi mano el freno de cadena en caso de reculada?

No. Hace falta una fuerza determinada para mover la protección contra reculada hacia adelante. Si su mano sólo roza la protección contra reculada o resbala sobre ella, puede ocurrir que la fuerza no sea suficiente para activar el freno de cadena. También debe agarrar con firmeza la empuñadura de la motosierra cuando trabaja. Si lo hace y se produce una reculada, puede ocurrir que no suelte el agarre de la empuñadura delantera y que no active el freno de cadena, o que el freno de cadena no se active hasta que la sierra haya girado bastante. En casos así puede suceder que el freno de cadena no tenga tiempo de detener la cadena antes de que le toque a usted.

Ello ocurre también en determinadas posturas de trabajo que impiden que su mano llegue a la protección contra reculada para activar el freno de cadena; por ejemplo, cuando se sujeta la sierra en posición de tala.

¿Se activa siempre por inercia el freno de cadena cuando se produce una reculada?

No. En primer lugar, su freno debe funcionar. Es fácil probar el freno; vea las instrucciones del capítulo Control, mantenimiento y servicio del equipo de seguridad de la motosierra. Recomendamos que haga esta prueba antes de empezar cada turno de trabajo. En segundo lugar, la reculada debe tener la fuerza suficiente para activar el freno de cadena. Si el freno de cadena fuera demasiado sensible, se activaría constantemente, lo que sería molesto.

INSTRUCCIONES GENERALES DE SEGURIDAD

¿Me protegerá siempre el freno de cadena contra daños si se produce una reculada?

No. En primer lugar, su freno debe funcionar para proporcionar la protección prevista. En segundo lugar, el freno se debe activar tal como se describe arriba para detener la cadena de sierra en una reculada. En tercer lugar, el freno de cadena se puede activar, pero si la espada está demasiado cerca de usted puede ocurrir que el freno no tenga tiempo de reducir la velocidad y parar la cadena antes de que la motosierra le toque.

Solamente usted y empleando una técnica de trabajo correcta puede eliminar el efecto de reculada y los riesgos que comporta.

Fiador del acelerador

El bloqueador del acelerador está diseñado para impedir la activación involuntaria del acelerador. El acelerador (B) se libera cuando se presiona el bloqueador (A) en la empuñadura (= cuando se agarra la empuñadura). Cuando se suelta la empuñadura, el acelerador y el bloqueador del acelerador vuelven a sus posiciones iniciales respectivas. En esta posición el acelerador es bloqueado automáticamente en ralentí. (9)

Captor de cadena

El captor de cadena está diseñado para captar las cadenas que se sueltan o se rompen. Normalmente esto se evita con el tensado correcto de la cadena (vea las instrucciones bajo el título Montaje) y con un mantenimiento adecuado de la espada y la cadena (vea las instrucciones bajo el título Instrucciones generales de trabajo). (10)

Protección de la mano derecha

La protección de la mano derecha, además de proteger la mano cuando una cadena se suelta o se rompe, impide que las ramas perjudiquen el agarre del mango posterior. (11)

Sistema amortiguador de vibraciones

Su máquina incorpora un sistema amortiguador diseñado para reducir al máximo posible las vibraciones y optimizar la comodidad de uso.

El sistema amortiguador de vibraciones de la máquina reduce la transmisión de vibraciones entre la parte del motor/equipo de corte y la parte de los mangos de la máquina. El cuerpo de la motosierra, incluyendo el equipo de corte, va suspendido de la parte de los mangos con un elemento antivibratorio.

El corte de maderas duras (la mayoría de los árboles caducifolios) produce más vibraciones que el de maderas blandas (la mayoría de las coníferas). El corte con un equipo de corte desafilado o incorrecto (modelo incorrecto o mal afilado) incrementa el nivel de vibraciones.



¡ATENCIÓN! La sobreexposición a las vibraciones puede provocar problemas circulatorios y dolencias de carácter nervioso, especialmente en personas con patologías circulatorias. Acuda a un médico si nota síntomas corporales que puedan relacionarse con la sobreexposición a las vibraciones. Son ejemplos de tales síntomas la pérdida de sensibilidad, el 'cosquilleo', las 'punzadas', el dolor, la pérdida o reducción de la fuerza normal o los cambios en el color y la superficie de la piel. Estos síntomas se presentan normalmente en dedos, manos y muñecas. Los síntomas pueden aumentar en temperaturas frías.

Botón de parada

El botón de parada se utiliza para parar el motor. (12)

Silenciador

El silenciador está diseñado para reducir al máximo posible el nivel sonoro y para apartar los gases de escape del usuario.



¡ATENCIÓN! Los gases de escape del motor están calientes y pueden contener chispas que pueden provocar incendio. Por esa razón, ¡nunca arranque la máquina en interiores o cerca de material inflamable!

En regiones de clima cálido y seco puede haber un riesgo de incendio considerable. En países de estas regiones hay normativas y requisitos legales de, por ejemplo, equipar el silenciador con una red apagachispas homologada. (13)

Cuando ajuste el engranaje, asegúrese de que está insertado correctamente. Si es necesario, sírvase de una llave inglesa para insertar o extraer el engranaje.



¡NOTA! El silenciador está muy caliente durante el funcionamiento y después de parar. Esto también es aplicable al funcionamiento en ralentí. Preste atención al riesgo de incendio, especialmente al emplear la máquina cerca de sustancias y/o gases inflamables.



¡ATENCIÓN! No utilice nunca una motosierra sin silenciador o con el silenciador defectuoso. Un silenciador defectuoso puede incrementar considerablemente el nivel de ruido y el riesgo de incendio. Tenga a mano herramientas para la extinción de incendios. No utilice nunca una motosierra sin red apagachispas o con red apagachispas defectuosa si la normativa del país exige este equipo.

INSTRUCCIONES GENERALES DE SEGURIDAD

Equipo de corte

Este capítulo describe cómo Ud., con un mantenimiento correcto y utilizando el equipo de corte adecuado, podrá:

- Reducir la propensión a las reculadas de la máquina.
- Reduce la ocurrencia de salidas y roturas de la cadena de sierra.
- Proporciona un resultado de corte óptimo.
- Aumentar la duración del equipo de corte.
- Evita el aumento de los niveles de vibraciones.

Reglas básicas

- **¡Utilice solamente el equipo de corte recomendado por nosotros!** Vea las instrucciones bajo el titular Datos técnicos.
- **¡Mantenga los dientes cortantes de la cadena bien y correctamente afilados! Siga nuestras instrucciones y utilice el calibrador de limado recomendado.** Una cadena mal afilada o defectuosa aumenta el riesgo de accidentes.
- **¡Mantenga la profundidad de corte correcta! Siga nuestras instrucciones y utilice el calibrador de profundidad recomendado.** Una profundidad de corte demasiado grande aumenta el riesgo de reculada.
- **¡Mantenga la cadena correctamente tensada!** Con un tensado insuficiente se incrementa el riesgo de solturas de la cadena y se aumenta el desgaste de la espada, la cadena y el piñón de arrastre.
- **¡Mantenga el equipo de corte bien lubricado y efectúe el mantenimiento adecuado!** Con una lubricación insuficiente se incrementa el riesgo de roturas de cadena y se aumenta el desgaste de la espada, la cadena y el piñón de arrastre.

Equipo de corte reductor de reculadas



¡ATENCIÓN! Un equipo de corte defectuoso o una combinación errónea de espada/cadena de sierra aumentan el riesgo de reculadas. Utilice solamente las combinaciones de espada/cadena de sierra recomendadas y siga las instrucciones. Vea las instrucciones bajo el titular Datos técnicos.

Las reculadas sólo puede evitarlas Ud. el usuario, impidiendo que el sector de riesgo de reculada de la espada toque algún objeto.

El efecto de las reculadas puede reducirse utilizando un equipo de corte con reducción de reculada "incorporada", así como con un afilado y mantenimiento correctos de la cadena.

Espada

Cuanto más pequeño es el radio de punta, menor es la propensión a la reculada.

Cadena

Una cadena de sierra consta de distintos eslabones que se presentan en versión estándar y en versión reductora de reculada.

¡IMPORTANTE! Ninguna cadena de sierra elimina el riesgo de reculada.



¡ATENCIÓN! Cualquier contacto con una sierra de cadena en girando puede causar daños muy graves.

Expresiones características de la espada y cadena

Para conservar la eficacia de todos los componentes de seguridad del equipo de corte, debe sustituir las combinaciones de espada/cadena de sierra gastadas o dañadas por una espada y una cadena recomendadas por Husqvarna. Vea las instrucciones del capítulo Datos técnicos para información sobre las combinaciones de espada/cadena de sierra que recomendamos.

Espada

- Longitud (pulgadas/cm)
- Número de dientes en el cabezal de rueda (T).
- Paso de cadena (=pitch) (pulgadas). El cabezal de rueda de la espada y el piñón de arrastre de la cadena de la motosierra deben adaptarse a la distancia entre los eslabones de arrastre. **(14)**
- Número de eslabones de arrastre (unidades). A cada combinación de longitud de cadena, paso de cadena y número de dientes del cabezal de rueda, le corresponde un número determinado de eslabones de arrastre.
- Ancho de la guía de la espada (pulgadas/mm). El ancho de la guía de la espada debe estar adaptado al ancho del eslabón de arrastre de la cadena.
- Orificio para aceite de cadena y orificio para pasador tensor de cadena. La espada debe estar adaptada al diseño de la motosierra. **(15)**

Cadena

- Paso de cadena (=pitch) (pulgadas) **(14)**
- Ancho del eslabón de arrastre (mm/pulgadas) **(16)**
- Número de eslabones de arrastre (unidades) **(17)**

Afilado y ajuste del talón de profundidad de una cadena de sierra

Generalidades sobre el afilado de los dientes cortantes

- No corte nunca con una sierra roma. Es señal de sierra roma cuando es necesario presionar el equipo de corte a través de la madera y el que las virutas son muy pequeñas. Una cadena de sierra muy roma no produce virutas. El único resultado es polvo de madera.
- Una sierra de cadena bien afilada atraviesa por sí sola la madera y produce virutas grandes y largas.

INSTRUCCIONES GENERALES DE SEGURIDAD

- La parte cortante de una cadena de sierra se denomina eslabón de corte, formado por un diente de corte (A) y un talón de profundidad (B). La distancia en altura entre ellos determina la profundidad de corte. (18)

Hay tres medidas a considerar para el afilado del diente de corte.

- 1 Ángulo de afilado (19)
- 2 Ángulo de corte (20)
- 3 Posición de la lima (21)
- 4 Diámetro de la lima redonda

Es muy difícil afilar correctamente una cadena de sierra sin los accesorios adecuados. Por ello le recomendamos que utilice nuestro calibrador de afilado. La plantilla garantiza un afilado de la cadena de sierra para una reducción de la reculada y una capacidad de corte óptimas. (22)

Vea las instrucciones del capítulo Datos técnicos en lo referente a los datos para el afilado de la cadena de su motosierra.



¡ATENCIÓN! La negligencia en seguir las instrucciones de afilado aumenta considerablemente la propensión a la reculada de la cadena de sierra.

Afilado de dientes cortantes



Para afilar dientes de corte se requiere una lima redonda y un calibrador de afilado. Vea las instrucciones del capítulo Datos técnicos en lo referente al diámetro de lima redonda y el calibrador de afilado recomendados para la cadena de su motosierra.

- Compruebe que la cadena esté bien tensada. Con un tensado insuficiente, la cadena tiene inestabilidad lateral, lo cual dificulta el afilado correcto.
- Afile siempre desde el interior del diente hacia fuera. En el retorno, suavice la presión de la lima. Primero, afile todos los dientes de un lado y, luego, vuelva la motosierra y afile los dientes del otro lado.
- Afile todos los dientes a la misma longitud. Cuando sólo queden 4 mm (5/32") de la longitud de diente, la cadena está desgastada y debe cambiarse. (23)

Generalidades sobre el ajuste de la profundidad de corte

- Al afilar el diente de corte se reduce la altura del talón de profundidad (= profundidad de corte). Para mantener una capacidad máxima de corte hay que bajar el talón de profundidad al nivel recomendado. En lo referente a la profundidad de corte de la cadena de su motosierra, vea el capítulo Datos técnicos. (24)



¡ATENCIÓN! ¡Una profundidad de corte excesiva aumenta la propensión a las reculadas de la cadena!

Ajuste de la profundidad de corte



- El ajuste de la profundidad de corte debe hacerse con los dientes cortantes recién afilados. Recomendamos ajustar la profundidad de corte después de cada tercer afilado de la cadena de sierra. ¡ATENCIÓN! Esta recomendación presupone que la longitud de los dientes de corte no se ha reducido anormalmente.
- Para ajustar la profundidad de corte se necesita una lima plana y un calibrador de profundidad de corte. Recomendamos utilizar nuestro calibrador de profundidad para obtener la medida de profundidad correcta y el ángulo correcto del talón de profundidad.
- Ponga el calibrador de afilado sobre la cadena de sierra. En el envase del calibrador hay instrucciones sobre su empleo. Utilice la lima plana para limar el sobrante de la parte sobresaliente del talón de profundidad. La profundidad de corte es correcta cuando no se nota resistencia alguna al pasar la lima sobre el calibrador. (25)

Tensado de la cadena



¡ATENCIÓN! Una cadena insuficientemente tensada puede soltarse y ocasionar accidentes graves, incluso mortales.

La cadena se alarga con la utilización. Por consiguiente, es importante ajustar el equipo de corte para compensar este cambio.

El tensado de la cadena debe controlarse cada vez que se reposte combustible. ¡NOTA! Las cadenas nuevas requieren un período de rodaje, durante el que debe controlarse el tensado con mayor frecuencia.

En general, la cadena debe tensarse tanto como sea posible, aunque debe ser posible girarla fácilmente con la mano. (26)

435 II, 440 II



- Afloje la tuerca de la espada que fija la cubierta del embrague/el freno de cadena. Utilice la llave combinada. Luego, apriete la tuerca de la espada con la mano, lo más fuerte que pueda. (27)
- Con la punta de la espada hacia arriba, tense la cadena enroscando el tornillo tensor con la llave combinada. Tense la cadena hasta que deje de colgar en la parte inferior de la espada. (28)

INSTRUCCIONES GENERALES DE SEGURIDAD

- Con la llave combinada, apriete la tuerca de la espada sujetando al mismo tiempo la punta de la espada. Compruebe que la cadena de la motosierra pueda girarse a mano con facilidad y que no cuelgue en la parte inferior de la espada. (29)

Entre nuestros modelos de motosierra hay diferentes ubicaciones del tornillo del tensor de cadena. Vea el capítulo Componentes de la máquina en lo referente a la ubicación de este tornillo en su modelo.

435e II, 440e II



- Aflojar la manija abriéndola. (30)
- Girar la manija a izquierdas para soltar la cubierta de la espada. (31)
- Ajustar la tensión de la cadena, girando la rueda hacia abajo (+) para aumentar la tensión y hacia arriba (-) para reducirla. (32)
- Apretar el acoplamiento de la espada, girando la manija a derechas. (33)
- Cerrar la manija para fijar el tensado. (34)

Lubricación del equipo de corte



¡ATENCIÓN! La lubricación insuficiente del equipo de corte puede ocasionar roturas de cadena, con el riesgo consiguiente de accidentes graves e incluso mortales.

Aceite para cadena de motosierra

Un aceite para cadena de motosierra ha de tener buena adhesión a la cadena, así como buena fluidez tanto en climas cálidos como fríos.

Como fabricantes de motosierras hemos desarrollado un aceite para cadena óptimo que, gracias a su origen vegetal, es también biodegradable. Recomendamos el uso de nuestro aceite para obtener la mayor conservación, tanto de la cadena de sierra como del medio ambiente. Si nuestro aceite para cadena de motosierra no es accesible, recomendamos usar aceite para cadena común.

¡No utilizar nunca aceite residual! Es nocivo para usted, la máquina y el medio ambiente.

¡IMPORTANTE! Si utiliza aceite vegetal para cadena de sierra, desmonte y limpie la ranura de la espada y la cadena de sierra antes del almacenamiento prolongado. De no hacerlo, hay riesgo de que se oxide el aceite de la cadena de sierra, con lo que la cadena se vuelve rígida y el cabezal de rueda se atasca.

Repostaje de aceite para cadena de motosierra

- Todos nuestros modelos de motosierra tienen lubricación automática de la cadena. Algunos modelos pueden obtenerse también con flujo de aceite regulable.
- El depósito de aceite de cadena y el depósito de combustible están dimensionados para que se termine el combustible antes de terminarse el aceite de cadena.

No obstante, para que esta función de seguridad sea efectiva debe utilizarse el aceite de cadena de sierra correcto (un aceite demasiado claro se termina antes de que se termine el combustible), debe seguirse nuestra recomendación de reglaje del carburador (una mezcla demasiado pobre hace que el combustible dure más que el aceite de cadena), y deben seguirse nuestras recomendaciones de equipo de corte (una espada demasiado larga requiere más aceite lubricante).

Control de la lubricación de la cadena

- Controle la lubricación de la cadena cada vez que reposte.
Apunte la punta de la espada a unos 20 cm (8 pulgadas) de un objeto fijo y claro. Después de 1 minuto de funcionamiento a 3/4 de aceleración debe verse una línea de aceite clara en el objeto.

Si no funciona la lubricación de la cadena:

- Compruebe que el canal de aceite de cadena en la espada esté abierto. Límpiolo si es necesario. (35)
- Compruebe que la guía de la espada esté limpia. Límpiela si es necesario. (36)
- Compruebe que el cabezal de rueda de la espada gire con facilidad y que su orificio de lubricación esté abierto. Limpie y lubrique si es necesario. (37)

Si la lubricación de la cadena no funciona después de efectuar los controles y medidas anteriores, contacte a su taller de servicio.

Piñón de arrastre de la cadena



El tambor del embrague lleva uno de los siguientes piñones de arrastre de cadena:

- A Piñón Spur (piñón soldado en el tambor)
- B Piñón Rim (cambiable) (38)

Compruebe regularmente el nivel de desgaste del piñón de arrastre de la cadena y cámbiolo si presenta un desgaste anormal. El piñón de arrastre de la cadena debe cambiarse cada vez que se cambie la cadena.

INSTRUCCIONES GENERALES DE SEGURIDAD

Lubricación del cojinete de agujas



Ambos tipos de piñón de accionamiento de cadena tienen en el eje saliente un cojinete de agujas que debe lubricarse a intervalos regulares (1 vez por semana). ¡NOTA! Utilice grasa para cojinetes de buena calidad o aceite para motor.

Vea las instrucciones del apartado "Mantenimiento, Lubricación de cojinetes de agujas".

Control del desgaste del equipo de corte



Controle diariamente la cadena para comprobar si:

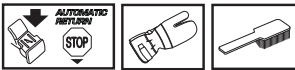
- Hay grietas visibles en los remaches y eslabones.
- La cadena está rígida.
- Los remaches y eslabones presentan un desgaste anormal.

Deseche la cadena de sierra si concuerda con alguno o varios de los puntos anteriores.

Para comprobar el desgaste de la cadena que utiliza, le recomendamos que la compare con una cadena nueva.

Afile todos los dientes a la misma longitud. Cuando sólo queden 4 mm (5/32") de la longitud de diente, la cadena está desgastada y debe cambiarse. **(23)**

Espada



Controle a intervalos regulares:

- Si se han formado rebabas en los lados de la espada. Lime si es necesario.
- Si la guía de la espada presenta un desgaste anormal. Cambie la espada si es necesario.
- Si la punta de la espada presenta un desgaste anormal o irregular. Si se ha formado una "cavidad" al final del radio de la punta, en la parte inferior de la espada, es señal de que Ud. ha utilizado la máquina con un tensado de cadena insuficiente.
- Para obtener una duración óptima, la espada debe girarse regularmente.



¡ATENCIÓN! La mayoría de los accidentes con la motosierra se producen cuando la cadena toca al usuario.

Utilice el equipo de protección personal. Vea las instrucciones bajo el título "Equipo de protección personal".

Evite los trabajos para los que no se sienta suficientemente capacitado. Vea las instrucciones bajo los títulos Equipo de protección personal, Medidas preventivas de reculadas, Equipo de corte e Instrucciones generales de trabajo.

Evite situaciones con riesgo de reculada. Vea las instrucciones bajo el título Equipo de seguridad de la máquina.

Utilice el equipo de corte recomendado y controle su estado. Vea las instrucciones bajo el título Instrucciones generales de trabajo.

Compruebe el funcionamiento de las piezas de seguridad de la motosierra. Vea las instrucciones bajo los títulos Instrucciones generales de trabajo e Instrucciones generales de seguridad.

Montaje de la espada y la cadena



¡ATENCIÓN! Para manipular la cadena deben utilizarse guantes protectores.

435 II, 440 II

- Compruebe que no esté activado el freno de cadena empujando la protección contra reculadas del freno de cadena hacia el mango delantero. (39)
- Desenrosque la tuerca de la espada y desmonte la carcasa del embrague (el freno de cadena). Saque la protección de transporte (A). (40)
- Monte la espada sobre el perno de la espada. Coloque la espada en la posición posterior extrema. Coloque la cadena sobre el piñón de arrastre y en la guía de la espada. Empiece con la parte superior de la cadena. (41)
- Compruebe que los filos de los eslabones de corte estén orientados hacia delante en la parte superior de la espada.
- Monte la cubierta del embrague y no olvide poner el vástago de tensado de cadena en el orificio de la espada. Compruebe que los eslabones de arrastre de la cadena encajen en el piñón de arrastre y que la cadena esté bien colocada en la guía de la espada. Apriete la tuerca de la espada con los dedos.
- Tense la cadena enroscando en el sentido de las agujas del reloj el tornillo de tensado con la llave combinada. La cadena debe tensarse hasta que deje de colgar en la parte inferior de la espada. (42)
- La cadena está correctamente tensada cuando no cuelga floja en el lado inferior de la espada y puede girarse fácilmente con la mano. Apriete la tuerca de la espada con la llave combinada, manteniendo al mismo tiempo la punta de la espada dirigida hacia arriba. (43)
- El tensado de una cadena nueva debe controlarse con frecuencia, hasta que se haya hecho el rodaje. Controle el tensado regularmente. Una cadena correcta significa buena capacidad de corte y larga duración. (44)

435e II, 440e II

- Compruebe que no esté activado el freno de cadena empujando la protección contra reculadas del freno de cadena hacia el mango delantero. (45)
- Suelte la rueda tensora de cadena y quite la cubierta del embrague (freno de cadena). Quite la protección de transporte. (A) (46)
- Monte la espada en los pernos. Sitúela en la posición posterior extrema. Monte la cadena en el piñón de

arrastre y la guía de la espada. Empiece con la parte superior de la cadena. (41)

- Compruebe que los filos de los eslabones de corte estén orientados hacia delante en la parte superior de la espada.
- Monte la cubierta del embrague y no olvide poner el vástago de tensado de cadena en el orificio de la espada. Compruebe que los eslabones de arrastre de la cadena encajen en el piñón de arrastre y que la cadena esté bien colocada en la guía de la espada.
- Tense la cadena girando la rueda hacia abajo (+). La cadena se debe tensar hasta que no tenga deflexión en la parte inferior de la espada. (32)
- La cadena está correctamente tensada cuando no tiene deflexión en la parte inferior de la espada y se puede girar fácilmente a mano. Sujetar la punta de la espada y apretar el embrague de la espada girando la manija a derechas. (33)
- El tensado de una cadena nueva debe controlarse con frecuencia, hasta que se haya hecho el rodaje. Controle el tensado regularmente. Una cadena correcta significa buena capacidad de corte y larga duración. (44)

Montaje del apoyo de corteza

Para montar el apoyo de corteza, consulte a su taller de servicio local. (47)

MANIPULACION DEL COMBUSTIBLE

Carburante

Aclaración! La máquina tiene motor de dos tiempos, por lo que debe utilizarse siempre una mezcla de gasolina con aceite para motores de 2 tiempos. Es importante medir con precisión la cantidad de aceite que se mezcla para conseguir la proporción de mezcla adecuada. Al mezclar pequeñas cantidades de combustible, incluso los pequeños errores en la cantidad de aceite tienen una gran incidencia en la proporción de mezcla.



¡ATENCIÓN! Para hacer la mezcla, compruebe que haya buena ventilación.

Gasolina



- Utilice gasolina sin plomo o gasolina con plomo de alta calidad.
- El octanaje mínimo recomendado es 90 (RON). Si se utiliza gasolina de octanaje inferior a 90, se puede producir el efecto "clavazón". Esto produce un aumento de la temperatura del motor y de la carga sobre los cojinetes, fenómenos que pueden causar averías graves del motor.
- Para trabajos con régimen alto continuado (por ejemplo, para desramar), se recomienda un octanaje más alto.

Combustible ecológico

HUSQVARNA recomienda usar gasolina ecológica (combustible de alquilato); bien gasolina premezclada Aspen para motores de dos tiempos, o gasolina ecológica para motores de cuatro tiempos mezclada con aceite para motores de dos tiempos según se indica abajo. Tenga en cuenta que puede ser necesario ajustar el carburador cuando se cambia el tipo de combustible (vea las instrucciones del capítulo Carburador).

Combustible de etanol

HUSQVARNA recomienda el uso de combustible comercializado con un contenido máximo de etanol del 10 %.

Rodaje

No manejar la máquina a revoluciones demasiado altas por periodos prolongados durante las primeras diez horas.

Aceite para motores de dos tiempos

- Para un resultado y prestaciones óptimos, utilice aceite para motores de dos tiempos HUSQVARNA, especialmente fabricado para motores de dos tiempos refrigerados por aire.

- No utilice nunca aceite para motores de dos tiempos fuera borda refrigerados por agua (llamado outboard oil), con designación TCW.
- No utilice nunca aceite para motores de cuatro tiempos.
- Un aceite de calidad deficiente o una mezcla de aceite/combustible demasiado rica puede perjudicar el funcionamiento del catalizador y reducir su vida útil.

Mezcla

1:50 (2%) con aceite para motores de dos tiempos HUSQVARNA.

1:33 (3%) con otros aceites para motores de dos tiempos refrigerados por aire y clasificados para JASO FB/ISO EGB.

Gasolina, litros	Aceite para motores de dos tiempos, litros	
	2% (1:50)	3% (1:33)
5	0,10	0,15
10	0,20	0,30
15	0,30	0,45
20	0,40	0,60

Mezcla

- Siempre haga la mezcla de gasolina y aceite en un recipiente limpio, homologado para gasolina.
- Primero, ponga la mitad de la gasolina que se va a mezclar. Luego, añada todo el aceite y agite la mezcla. A continuación, añada el resto de la gasolina.
- Agite bien la mezcla de combustible antes de ponerla en el depósito de combustible de la máquina.
- No mezcle más combustible que el necesario para utilizar un mes como máximo.
- Si no se ha utilizado la máquina por un tiempo prolongado, vacíe el depósito de combustible y límpielo.

Aceite para cadena

- Para lubricar se recomienda un aceite especial (aceite para lubricar cadenas) con buena aptitud adherente. **(48)**
- No utilice nunca aceite residual. Puede ocasionar averías en la bomba de aceite, la espada y la cadena.
- Es importante utilizar un aceite adecuado para la temperatura ambiente (con la viscosidad correcta).
- Con temperaturas bajo cero, algunos aceites se espesan. Ello puede causar sobrecargas en la bomba de aceite, con averías subsiguientes de las piezas de la bomba.
- Para la selección de aceite lubricante de cadena, consulte con su taller de servicio.

MANIPULACION DEL COMBUSTIBLE

Repostaje



¡ATENCIÓN! Las siguientes medidas preventivas reducen el riesgo de incendio:

No fume ni ponga objetos calientes cerca del combustible.

Apague el motor y deje que se enfríe unos minutos antes de repostar.

Para repostar, abra despacio la tapa del depósito de combustible para evacuar lentamente la eventual sobrepresión.

Después de repostar, apriete bien la tapa del depósito de combustible.

Antes de arrancar, aparte siempre la máquina del lugar y de la fuente de repostaje.

Seque minuciosamente alrededor de las tapas de los depósitos. Limpie regularmente los depósitos de combustible y de aceite para cadena. Cambie el filtro de combustible una vez al año como mínimo. La suciedad en los depósitos produce perturbaciones del funcionamiento. Asegúrese de que el combustible esté bien mezclado, agitando el recipiente antes de repostar. Las capacidades de los depósitos de combustible y aceite para cadena están adaptadas entre sí. Por consiguiente, haga el repostaje de ambos al mismo tiempo. (48)



¡ATENCIÓN! El combustible y los vapores de combustible son muy inflamables. Proceda con cuidado en la manipulación del combustible y el aceite de cadena. Tenga en cuenta el riesgo de incendio, explosión e inhalación.

Desmontaje del tapón de combustible y el tapón del aceite para la cadena

- Empuje hacia abajo la parte rugosa de la palanca pivotante y colóquela en posición vertical. (49)
- Afloje el tapón girándolo hacia la izquierda. (50)
- Desmonte el tapón. (51)

Sustitución del tapón de combustible y el tapón del aceite para la cadena

- Introduzca el tapón con la palanca pivotante en posición vertical. (52)
- Apriete bien el tapón girándolo hacia la derecha. (53)
- Pliegue la palanca pivotante hacia abajo. (54)

¡IMPORTANTE! Sustituya siempre los tapones si están dañados.

Seguridad en el uso del combustible

- No reposte nunca la máquina con el motor en marcha.
- Procure que haya buena ventilación durante el repostaje y la mezcla de combustible (gasolina y aceite para motores de 2 tiempos).
- Antes de arrancar, aparte la máquina a 3 m como mínimo del lugar de repostaje.
- Nunca arranque la máquina:
 - 1 Si ha derramado sobre la máquina combustible o aceite para cadena. Seque cualquier residuo y espere a que se evaporen los restos de combustible.
 - 2 Si se salpicó el cuerpo o las ropas, cambie de ropas. Lave las partes del cuerpo que han entrado en contacto con el combustible. Use agua y jabón.
 - 3 Si hay fugas de combustible en la máquina. Compruebe regularmente si hay fugas en la tapa del depósito o en los conductos de combustible.



¡ATENCIÓN! No utilice nunca una máquina con daños visibles en la protección de bujía y el cable de encendido. Hay riesgo de generación de chispas, que pueden causar incendios.

Transporte y almacenamiento

- Almacene la motosierra y el combustible de forma que no haya riesgo de que los eventuales vapores y fugas entren en contacto con chispas o llamas. Por ejemplo, cerca de máquinas eléctricas, motores eléctricos, contactos/interruptores eléctricos, calderas de calefacción o similares.
- Para el almacenamiento del combustible deben utilizarse recipientes especiales homologados.
- En caso de almacenamiento o transporte de la motosierra por tiempo prolongado, deberán vaciarse los depósitos de combustible y aceite para cadena. Consulte con la gasolinera más cercana sobre qué hacer con el combustible y aceite de cadena sobrantes.
- La protección de transporte del equipo de corte debe estar siempre montada para el transporte y almacenamiento de la máquina, a fin de evitar el contacto fortuito con la cadena aguda. Una cadena inmóvil también puede causar daños graves al usuario u otras personas que llegan a la cadena.
- Quite el capuchón de encendido de la bujía. Active el freno de cadena.
- Asegure la máquina durante el transporte.

Almacenamiento prolongado

Vacíe los depósitos de combustible y aceite en un lugar bien ventilado. Guarde el combustible en bidones homologados y en un lugar seguro. Monte la protección de la espada. Limpie la máquina. Vea las instrucciones del capítulo Programa de mantenimiento.

Antes del almacenaje prolongado, limpie bien la máquina y haga el servicio completo.

ARRANQUE Y PARADA

Arranque y parada



¡ATENCIÓN! Antes de arrancar, observe lo siguiente:

El freno de cadena debe estar aplicado cuando se arranca la motosierra, para reducir el riesgo de contacto con la cadena en movimiento al ponerse en marcha.

No ponga en marcha la motosierra sin haber montado antes la espada, la cadena y todas las cubiertas. De otro modo, el embrague puede zafar y ocasionar daños personales.

Ponga la máquina sobre una superficie estable. Asegúrese de tener buena estabilidad y de que la cadena no pueda tocar ningún objeto.

Asegúrese de que no haya terceros desautorizados en la zona de trabajo.

Nunca enrosque el cordón de arranque alrededor de la mano.

Arranque

El freno de cadena debe estar activado al poner en marcha la motosierra. Active el freno moviendo la protección contra reculadas hacia delante. (55)

Motor frío

Posición de arranque, 1: Sitúe el interruptor de arranque / parada en la posición de estrangulamiento tirando del mando rojo hacia arriba y hacia fuera. (56)

Bomba de combustible (2): Presione varias veces la membrana de goma de la bomba de combustible hasta que empiece a llenarse de combustible (6 veces como mínimo). No es necesario llenar completamente la membrana. (56)

Agarre el mango delantero con la mano izquierda. Pise la parte inferior del mango trasero con el pie derecho y presione la motosierra contra el suelo. (57)

Agarre la empuñadura de arranque, 3: agarre la empuñadura de arranque con la mano derecha y tire lentamente del cordón hasta que note resistencia (cuando se conecten los ganchos de arranque). Luego, dé tirones rápidos y fuertes hasta que el motor arranque.

Oprimir inmediatamente el estrangulador rojo, 4: Cuando el motor arranque, oír una especie de soplo y entonces deberá oprimir inmediatamente el estrangulador rojo.

Agarre la empuñadura de arranque (5): reponga con firmeza el cordón a su posición inicial y repita el intento hasta que el motor arranque.

Motor caliente

Posición de arranque, 1: Para la función combinada de estrangulamiento/aceleración de arranque en caliente, mueva el estrangulador tirando del mando rojo hacia fuera y hacia arriba. (56)

Bomba de combustible (2): Presione varias veces la membrana de goma de la bomba de combustible hasta que empiece a llenarse de combustible (6 veces como mínimo). No es necesario llenar completamente la membrana. (56)

Oprimir inmediatamente el estrangulador rojo, 3: De esta manera se desactiva el estrangulador, que no es necesario para el arranque en caliente de la motosierra. Sin embargo, el movimiento del interruptor de arranque/parada habrá provocado un ralentí alto, lo que facilita el arranque en caliente.

Agarre la empuñadura de arranque, 4: Agarre el mango delantero con la mano izquierda. Pise la parte inferior del mango trasero con el pie derecho y presione la motosierra contra el suelo. (57)

Agarre la empuñadura de arranque con la mano derecha y tire lentamente del cordón hasta que note resistencia (cuando se conecten los ganchos de arranque). Luego, dé tirones rápidos y fuertes hasta que el motor arranque.

Dado que el freno de cadena todavía está activado, se deben bajar las revoluciones del motor lo antes posible a ralentí, y esto se logra desconectando el fiador contra aceleraciones involuntarias. Para desconectarlo, acelere ligeramente el activador de aceleraciones involuntarias. De ese modo, se evita un desgaste innecesario del embrague, del tambor del embrague y de la cinta de freno. Deje funcionar la máquina en ralentí unos segundos antes de acelerar plenamente.

En la parte trasera (A) de la motosierra hay un recordatorio de arranque simplificado, con figuras que describen cada paso. (57)

¡NOTA! No extraiga el cordón de arranque al máximo, y no suelte la empuñadura de arranque si ha extraído todo el cordón. Ello puede ocasionar averías en la máquina.

Aclaración! Para poner el freno de cadena en su posición inicial, mueva la protección contra reculadas hacia la empuñadura del mango. Ahora, la motosierra está lista para funcionar.



¡ATENCIÓN! La inhalación prolongada de los gases de escape del motor, la neblina de aceite de cadena y el polvo de serrín puede poner en riesgo la salud.

- Nunca ponga en marcha la motosierra sin haber montado antes correctamente la espada, la cadena y todas las cubiertas. Vea las instrucciones bajo el título Montaje. Sin la espada y la cadena montadas en la motosierra, el embrague se puede soltar y causar daños graves.
- El freno de cadena debe estar aplicado cuando se arranca la motosierra. Vea las instrucciones del

ARRANQUE Y PARADA

capítulo Arranque y parada. No arranque nunca la motosierra agarrando el cordón de arranque y soltando la máquina. Este método es muy peligroso porque se pierde fácilmente el control de la motosierra. **(55)**

- No ponga nunca en marcha la máquina en interiores. Tenga en cuenta el riesgo de inhalación de los gases de escape del motor.
- Observe el entorno y asegúrese de que no haya riesgo de tocar a personas o animales con el equipo de corte.
- Sujete siempre la motosierra con ambas manos. Agarre la empuñadura trasera con la mano derecha y la empuñadura delantera con la mano izquierda. **Todos los usuarios, diestros o zurdos, deben usar este agarre.** Agarre con firmeza, con todos los dedos alrededor de las empuñaduras de la motosierra.

Parada

El motor se arranca presionando el mando de arranque/parada. **(59)**

¡NOTA! El contacto de arranque/parada retorna automáticamente a la posición de marcha. Por consiguiente, para evitar el arranque involuntario hay que quitar siempre el capuchón de encendido de la bujía cuando se abandona la máquina. **(60)**

Antes de utilizar la máquina: (61)

- 1 Compruebe que el freno de cadena funcione correctamente y no esté dañado.
- 2 Compruebe que la protección trasera de la mano derecha no esté dañada.
- 3 Compruebe que el fiador contra aceleraciones involuntarias funcione correctamente y no esté dañado.
- 4 Compruebe que el botón de parada funciona bien y está en buen estado.
- 5 Compruebe que todos los mangos estén libres de aceite.
- 6 Compruebe que el sistema de amortiguación de vibraciones funcione y no esté dañado.
- 7 Compruebe que el silenciador esté firmemente montado y en buenas condiciones.
- 8 Compruebe que todas las piezas de la motosierra estén bien apretadas, no presenten daños y estén presentes.
- 9 Compruebe que el retén de cadena esté montado y en buenas condiciones.
- 10 Controle el tensado de la cadena.

Instrucciones generales de trabajo

¡IMPORTANTE!

Este capítulo se refiere a las reglas de seguridad básicas para el trabajo con una motosierra. En ningún caso, su contenido podrá sustituir a los conocimientos, formación y experiencia práctica de un profesional. Por consiguiente, cuando no esté seguro de cómo utilizar la máquina, consulte a un experto. Diríjase a la tienda donde compró la motosierra, al taller de servicio o a un usuario de motosierras experto. ¡Evite los trabajos para los que no se sienta suficientemente cualificado!

No utilice la motosierra hasta que haya comprendido el significado de las reculadas y la forma de evitarlas. Vea las instrucciones bajo el título Medidas preventivas de las reculadas.

No utilice la motosierra hasta que haya comprendido la diferencia entre las técnicas de corte con la parte superior y la parte inferior de la espada. Vea las instrucciones de los capítulos Medidas preventivas de las reculadas y Equipo de seguridad de la máquina.

Utilice el equipo de protección personal. Vea las instrucciones bajo el título "Equipo de protección personal".

Reglas básicas de seguridad

- 1 Observe el entorno para:
 - Comprobar que no hayan personas, animales, etc., que puedan influir en su control de la máquina.
 - Impedir que eventuales personas o animales puedan entrar en contacto con la cadena o sean alcanzadas o lesionadas por un árbol derribado.

¡NOTA! Siga las instrucciones mencionadas arriba y no utilice la motosierra sin que haya alguien a quien recurrir en caso de accidente.

- 2 No trabaje en condiciones atmosféricas desfavorables como niebla, lluvia intensa, tempestad, frío intenso, etc. El trabajo con mal tiempo es fatigoso y puede crear circunstancias peligrosas, como terreno resbaladizo, cambio imprevisto de la dirección de derribo de los árboles, etc.
- 3 Proceda con sumo cuidado en el corte de ramas pequeñas y evite cortar arbustos (= varias ramas al mismo tiempo). Después del corte, las ramas pequeñas pueden atascarse en la cadena, ser lanzadas hacia Ud. y herirle de gravedad.
- 4 Compruebe que pueda caminar y mantenerse de pie con seguridad. Vea si hay eventuales impedimentos para desplazamientos imprevistos (raíces, piedras, ramas, fosos, zanjas, etc.). Proceda con sumo cuidado al trabajar en terreno inclinado.
- 5 Sea sumamente cuidadoso al cortar en árboles en tensión. Un árbol en tensión puede, tanto antes como después de terminar de cortar, volver a su posición normal. Si Ud. o el corte están mal ubicados, el árbol puede golpearlo a Ud. o a la máquina y hacerle perder el control. Las dos situaciones pueden ocasionar daños personales graves.



- 6 Para los desplazamientos, bloquee la cadena con el freno de cadena y pare el motor. Lleve la motosierra con la espada y cadena orientadas hacia atrás. Para los desplazamientos largos y los transportes utilice siempre la protección de la espada.
- 7 Cuando ponga la motosierra en el suelo, bloquee la cadena de sierra con el freno de cadena y no pierda de vista la motosierra. Para el 'estacionamiento prolongado', se debe parar el motor.



¡ATENCIÓN! A veces las astillas quedan atrapadas en la cubierta del embrague, lo que hace que la cadena se atasque. Pare siempre el motor antes de limpiar la máquina.

Reglas básicas

- 1 Entendiendo las implicaciones y causas de la reculada, Ud. puede reducir o eliminar sorpresas que incrementen el riesgo de accidente. La mayoría de reculadas son pequeñas, aunque algunas son rapidísimas y muy violentas.
- 2 Sujete siempre la motosierra con firmeza, con la mano derecha en el mango trasero y la mano izquierda en el mango delantero, agarrando los mangos con todos los dedos. Este agarre deben utilizarlo todos los usuarios, incluso los zurdos. Este agarre es la mejor forma de reducir el efecto de una reculada y, al mismo tiempo, mantener el control de la motosierra. **¡No suelte los mangos!**

TÉCNICA DE TRABAJO

- 3 La mayoría de los accidentes por reculada se producen al desramar. Procure trabajar con una postura estable y que en el suelo no hayan objetos que puedan hacerle tropezar y perder el equilibrio.

Si se trabaja con negligencia, el sector de riesgo de reculada de la espada puede tocar involuntariamente una rama, un árbol u otro objeto y producir una reculada.

Controle la pieza de trabajo. Si las piezas de trabajo que sierra son pequeñas y ligeras, pueden atascarse en la cadena de sierra y ser lanzadas contra usted. Esto, aunque no es necesariamente peligroso, puede sorprenderle y hacerle perder el control de la motosierra. No sierre nunca troncos apilados ni ramas sin separarlos antes. Sierre solamente los troncos de trozo en trozo. Aparte los trozos aserrados para mantener segura su zona de trabajo. (62)

- 4 **No utilice nunca la motosierra por encima de los hombros y evite cortar con la punta de la motosierra. ¡No utilice nunca la motosierra con una sola mano! (63)**

- 5 Para obtener máximo control de la motosierra, es necesario adoptar una posición estable. No trabaje nunca subido a una escalera, trepado a un árbol o en una posición que carezca de una base firme. (64)

- 6 Corte con velocidad de cadena alta, acelerando al máximo.

- 7 Para cortar con la parte superior de la espada, en sentido ascendente desde la parte inferior del objeto a cortar, proceda con muchísimo cuidado. Al trabajar con esta técnica, llamada de cadena impelente, la cadena empuja la motosierra hacia atrás, hacia el usuario. Si la cadena de sierra se atasca, la motosierra puede ser lanzada hacia atrás contra usted. (65)

- 8 Si el usuario no resiste la fuerza de la motosierra, puede ocurrir que ésta retroceda tanto que el sector de riesgo de reculada de la espada toque el árbol y se produzca una reculada. (66)

El corte con la parte inferior de la espada, en sentido descendente desde la parte superior del objeto a cortar, se denomina de corte con cadena tirante. La motosierra es tirada hacia el árbol y el canto delantero del cuerpo se apoya contra el tronco. Con esta técnica de cadena tirante, el usuario controla mejor la motosierra y la situación del sector de riesgo de reculada de la espada. (67)

- 9 Siga las instrucciones de afilado y mantenimiento de la espada y la cadena. Al cambiar la espada y la cadena sólo deben utilizarse las combinaciones recomendadas por nosotros. Vea las instrucciones bajo los títulos Equipo de corte y Datos técnicos.

Técnica básica de corte



¡ATENCIÓN! No utilice nunca una motosierra agarrándola solamente con una mano. Una motosierra no se controla con seguridad con una mano. Agarre con fuerza y firmeza las empuñaduras con ambas manos.

Generalidades

- ¡Para cortar, utilice siempre la aceleración máxima!
- Después de cada corte de sierra, suelte el acelerador y deje el motor en vacío (la aceleración máxima prolongada sin carga, es decir sin que el motor tenga la resistencia de la cadena en el aserrado, produce avería grave del motor).
- Corte descendente = con cadena "tirante".
- Corte ascendente = con cadena "impelente".

La técnica con cadena "impelente" supone un mayor riesgo de reculada. Vea las instrucciones bajo el título Medidas preventivas de las reculadas.

Designaciones

Tronzado = denominación genérica del corte transversal de la madera.

Desramado = corte de las ramas de un árbol talado.

Partición = rotura del objeto que se corta antes de concluir el corte.

Para los trabajos de tronzado deben tenerse en cuenta cinco factores muy importantes:

- 1 El equipo de corte no debe quedar apretado en el surco. (68)
- 2 El objeto que se corta no debe partirse. (69)
- 3 Durante el tronzado y después del mismo, la cadena de la sierra no debe tocar el suelo ni objeto alguno. (70)
- 4 ¿Hay riesgo de reculada? (4)
- 5 ¿Puede la configuración del terreno y el entorno influir en su estabilidad y seguridad para caminar y mantenerse de pie?

El atasco de la cadena y la partición del objeto de corte pueden deberse a dos factores: el apoyo del objeto antes y después del tronzado, y si el objeto a cortar está tenso.

En la mayoría de casos, estos factores pueden evitarse efectuando el tronzado en dos etapas: por arriba y por abajo. Así se neutraliza la propensión del objeto a cortar a apretar la cadena o a partirse.

¡IMPORTANTE! Si la cadena se atasca en el surco: ¡Pare el motor! No intente sacar la motosierra por la fuerza. Si lo hace, puede accidentarse con la cadena cuando se suelta repentinamente la motosierra. Para soltar la motosierra, utilice una palanca.

TÉCNICA DE TRABAJO

A continuación, se indica un listado teórico de la forma de tratar las situaciones más comunes con que puede enfrentarse un usuario de motosierra.

Desramado

Para cortar ramas gruesas deben aplicarse los mismos principios que para el tronzado.

Corte las ramas difíciles por partes. (71)

Tronzado



¡ATENCIÓN! No intente nunca serrar troncos apilados ni dos troncos que están muy juntos. Estos métodos incrementan drásticamente el riesgo de reculada, que comportan riesgo de daños personales graves y peligro de muerte.

Si hay una pila de troncos, se debe separar de ella cada tronco que se va a cortar, colocarlo en un soporte para serrar guiadera y cortarlo por separado.

Aparte los trozos cortados de la zona de trabajo. Si los deja en la zona de trabajo, aumenta el riesgo de reculada por equivocación y el riesgo de perder el equilibrio cuando trabaja. (72)

El tronco en el suelo. No hay riesgo de atasco de la cadena o de partición del objeto de corte. Sin embargo, hay un riesgo considerable de que la cadena toque el suelo después del corte. (73)

Corte desde arriba todo el tronco. Al final del corte, proceda con cuidado para evitar que la cadena toque el suelo. Mantenga la aceleración máxima y esté alerta a lo que va a pasar. (74)

Si es posible (¿puede girarse el tronco?), termine el corte a 2/3 del diámetro del tronco.

Gire el tronco para cortar el tercio restante desde arriba. (75)

El tronco está apoyado en un extremo. Gran riesgo de partición. (76)

Empiece cortando desde abajo (aproximadamente 1/3 del diámetro del tronco).

Termine el corte desde arriba, hasta que se encuentren los dos surcos. (77)

El tronco está apoyado en ambos extremos. Gran riesgo de atasco de la cadena. (78)

Empiece cortando desde arriba (aproximadamente 1/3 del diámetro del tronco).

Termine el corte desde abajo, hasta que se encuentren los dos surcos. (79)

Técnica de tala

¡IMPORTANTE! La tala de árboles requiere mucha experiencia. Un usuario de motosierra inexperto no debe talar árboles. ¡Evite los trabajos para los que no se considere suficientemente capacitado!

Distancia de seguridad

La distancia de seguridad entre el árbol a talar y el lugar de trabajo más cercano debe ser de 2,5 longitudes de árbol. Asegúrese de que no haya nadie en esta "zona de riesgo" antes de la tala y durante la misma. (80)

Dirección de derribo

El derribo tiene por objeto la colocación del árbol de forma que el desramado y tronzado subsiguientes puedan efectuarse en un terreno lo más "fácil" posible. El talador debe poder caminar y mantenerse de pie con seguridad.

Cuando haya decidido en qué dirección quiere derribar el árbol, debe considerar la dirección natural de caída del mismo.

Ésta depende de varios factores:

- Inclinación
- Torcimiento
- Dirección del viento
- Concentración de las ramas
- Peso de la nieve, si la hay
- Obstáculos dentro del alcance del árbol: como otros árboles, cables eléctricos, paredes y edificios.
- Compruebe si el tronco tiene daños o podredumbre, que aumentan la probabilidad de que el árbol se rompa y empiece a caer antes de lo previsto.

Una vez considerados estos factores, puede verse obligado a dejar que el árbol caiga en su dirección natural, ya que es imposible, o demasiado arriesgado, intentar colocarlo en la dirección decidida en un principio.

Otro factor muy importante, que no afecta a la dirección de derribo pero sí a su seguridad personal, es el control de que el árbol no tenga ramas dañadas o "muertas" que puedan romperse por sí solas y dañarle a Ud. durante la tala.

Ante todo, debe evitarse que el árbol derribado se ataque en otro árbol. Es muy peligroso retirar un árbol atascado y hay un elevado riesgo de accidente. Vea las instrucciones bajo el título Tratamiento de una tala fallida. (81)

¡IMPORTANTE! En momentos críticos de la tala deberán levantarse los protectores auriculares apenas termine el aserrado, a fin de poder advertir ruidos y señales de advertencia.

TÉCNICA DE TRABAJO

Corte de ramas bajas y camino de retirada

Desrame el ronco hasta la altura del hombro. Es más seguro trabajar de arriba a abajo y tener el tronco entre usted y la motosierra. **(82)**

Limpie la vegetación que hay alrededor del árbol y elimine los eventuales obstáculos (piedras, ramas, huecos, etc.) para tener preparado un camino de retirada cuando empiece a caer el árbol. El camino de retirada debe estar a unos 135°, oblicuamente hacia atrás, de la dirección de derribo prevista. **(83)**

- 1 Zona de riesgo
- 2 Vía de retirada
- 3 Dirección de derribo

Tala



¡ATENCIÓN! ¡Desaconsejamos a los usuarios insuficientemente cualificados que talen árboles con espada de longitud más pequeña que el diámetro del tronco a cortar!

La tala se hace con tres cortes. Se empieza con el corte de indicación, compuesto por un corte superior y un corte inferior; y se termina con el corte de derribo. Con la ubicación correcta de estos cortes puede controlarse con gran exactitud la dirección de derribo.

Corte de indicación

Para cortar el corte de indicación se empieza con el corte superior. Oriente las marcas de dirección de tala (1) hacia un objeto del terreno en el sentido en que se quiere abatir el árbol (2). Sitúese en el lado derecho del árbol, detrás de la sierra, y corte con cadena tirante.

Luego, efectúe el corte inferior, que debe terminar exactamente donde terminó el corte superior. **(84)**

La profundidad del corte de indicación debe ser igual a 1/4 del diámetro del tronco, y el ángulo entre los cortes superior e inferior debe ser de 45° como mínimo.

La convergencia de ambos cortes se denomina línea de corte de indicación. La línea de corte de indicación debe ser perfectamente horizontal y formar un ángulo recto (90°) con la dirección de derribo elegida. **(85)**

Corte de derribo

El corte de derribo se hace en el lado opuesto del árbol y debe ser perfectamente horizontal. Sitúese a la izquierda del árbol y corte con cadena tirante.

Sitúe el corte de derribo a unos 3-5 cm (1,5-2 pulgadas) por encima del plano horizontal del corte de indicación. **(86)**

Coloque el apoyo de corteza (si ha sido montado) detrás de la faja de desgaje. Corte con aceleración máxima introduciendo lentamente la cadena/espada en el tronco. Preste atención a si el árbol se mueve en dirección opuesta a la elegida para el derribo. Tan pronto lo permita la profundidad de corte, ponga una cuña de derribo o una barra desgajadora en el corte de derribo.

El corte de derribo debe quedar paralelo con la línea de corte de indicación, con una distancia mínima entre

ambos de 1/10 del diámetro del tronco. La parte del tronco sin cortar se denomina faja de desgaje.

La faja de desgaje funciona como una bisagra que dirige la dirección de derribo del árbol. **(87)**

Se pierde completamente el control de la dirección de derribo del árbol si la faja de desgaje es demasiado pequeña o se atraviesa al cortar, o si los cortes de indicación y derribo están mal situados. **(88)**

Cuando están terminados los cortes de indicación y de derribo, el árbol debe empezar a caer; bien por sí solo, o con ayuda de la cuña de derribo o de la barra desgajadora. **(89)**

Recomendamos emplear una longitud de espada mayor que el diámetro del tronco para que los cortes de derribo e indicación se puedan hacer con un 'corte sencillo'. Vea las instrucciones del capítulo Datos técnicos en lo referente a las longitudes de espada recomendadas para su modelo de motosierra.

Hay técnicas para la tala de árboles con diámetros de tronco más grandes que la longitud de la espada. Estas técnicas conllevan un riesgo considerable de que el sector de riesgo de reculada de la espada toque un objeto. **(4)**

Tratamiento de una tala fallida

Derribo de un árbol "atascado"

Es muy peligroso retirar un árbol atascado y hay un elevado riesgo de accidente.

No intente nunca cortar árboles talados apoyados sobre otros.

No trabaje nunca dentro de la zona de riesgo de árboles talados atascados y suspendidos. **(90)**

El método más seguro es utilizar un torno.

- Montado en un tractor
- Portátil

Corte de árboles y ramas tensos

Preparativos: Estime el sentido de la tensión y dónde tiene su punto de ruptura (es decir, el punto en el que se rompería si se siguiera tensando). **(91)**

Determine la forma más segura de soltar la tensión y también, si Ud. puede hacerlo. En situaciones muy complicadas, el único método seguro consiste en utilizar un torno en vez de la motosierra.

Generalidades:

Sitúese de modo que no haya riesgo de que sea alcanzado por el tronco/la rama cuando se suelte. **(92)**

Haga uno o varios cortes en el punto de ruptura o cerca del mismo. Corte a la profundidad requerida y con el número de cortes necesarios para que la tensión del tronco/la rama se suelte lo suficiente para que el tronco/la rama se "parta" en el punto de ruptura. **(93)**

¡No corte nunca del todo un objeto en tensión!

Si necesita cortar a través del árbol/rama, haga dos o tres cortes con una separación de 3 cm y una profundidad de 3 a 5 cm. (94)

Continúe serrando a más profundidad hasta que soltar la fuerza y la tensión del árbol/rama. (95)

Sierre el árbol/rama desde el lado opuesto después de soltar la tensión.

Medidas preventivas de las reculadas



¡ATENCIÓN! Las reculadas pueden ser rapidísimas, repentinas y violentas, lanzando la motosierra, la espada y la cadena contra el usuario. Si la cadena en movimiento toca al usuario, pueden producirse lesiones muy graves e incluso mortales. Es necesario comprender las causas de las reculadas y que pueden evitarse procediendo con cuidado y trabajando con la técnica correcta.

¿Qué es la reculada?

Reculada es la denominación de una reacción repentina por la que la motosierra y la espada salen despedidas de un objeto que ha entrado en contacto con el cuadrante superior de la punta de la espada, denominado sector de riesgo de reculada. (66)

La reculada sigue siempre el sentido del plano de la espada. Lo más común es que la motosierra y la espada reboten hacia atrás en sentido ascendente, hacia el usuario. También hay otros sentidos de reculada dependiendo de la posición de la motosierra en el momento en que el sector de riesgo de reculada de la espada toca un objeto. (7)

La reculada sólo puede producirse cuando el sector de riesgo de reculada de la espada toca un objeto. (4)

Desramado



¡ATENCIÓN! La mayoría de accidentes por reculada ocurren al desramar. No use el sector de riesgo de reculada de la espada. Proceda con sumo cuidado y evite que la punta de la espada entre toque en el tronco, en otras ramas o en objetos. Proceda con sumo cuidado con las ramas que están tensadas. Pueden ser despedidas contra usted y hacerle perder el control, con el riesgo consiguiente de daños.

¡Cerciórese de que pueda caminar y mantenerse de pie con seguridad! Trabaje desde el lado izquierdo del tronco. Trabaje lo más cerca posible de la motosierra para máximo control. Cuando sea posible, descargue el peso de la motosierra apoyándola en el tronco.

Desplácese solamente cuando el tronco esté situado entre Ud. y la motosierra.

Tronzado del tronco

Vea las instrucciones bajo el título Técnica básica de corte.

Generalidades

El usuario sólo puede efectuar los trabajos de mantenimiento y servicio descritos en este manual. Los trabajos de mayor envergadura debe efectuarlos un taller de servicio oficial.

Ajuste del carburador

Su producto Husqvarna ha sido construido y fabricado conforme a especificaciones que reducen los gases de escape tóxicos.

Funcionamiento

- El régimen del motor se controla mediante el acelerador y el carburador. En el carburador se efectúa la dosificación de la mezcla de aire y combustible. Esta mezcla es regulable. Para obtener la potencia máxima de la máquina, el reglaje de la dosificación debe ser correcto.
- Con el tornillo T se regula la posición del acelerador en ralentí. El ralentí se aumenta girando el tornillo T en el sentido de las agujas del reloj y se reduce girándolo en sentido contrario a las agujas del reloj.

Reglaje básico y rodaje

El reglaje básico del carburador se lleva a cabo en las pruebas que se hacen en fábrica. El ajuste fino debe efectuarlo un técnico capacitado.

Régimen recomendado en ralentí: Vea el capítulo Datos técnicos.

Reglaje preciso del ralentí, tornillo T

El ralentí se regula con el tornillo marcado con una T. Para regular, enrosque (en el sentido de las agujas del reloj) el tornillo T con el motor en marcha hasta que empiece a girar la cadena. A continuación, desenrosque (en sentido contrario a las agujas del reloj) hasta que la cadena se pare. El reglaje del régimen de ralentí es correcto cuando el motor funciona regularmente en todas las posiciones, habiendo un buen margen hasta el régimen en que empieza a girar la cadena.



¡ATENCIÓN! Si el régimen de ralentí no puede ajustarse para que se pare la cadena, acuda a un taller de servicio. No utilice la motosierra hasta que esté correctamente regulada o reparada.

Carburador correctamente regulado

Con el carburador correctamente regulado, la máquina acelera sin dilación y "ronronea" ligeramente a plena aceleración. Además, la cadena no debe girar en ralentí. El reglaje demasiado pobre del surtidor L puede ocasionar dificultades de arranque y mala aceleración. El reglaje demasiado pobre del surtidor H reduce la potencia de la máquina y ocasiona mala aceleración y/o la avería del motor.

Control, mantenimiento y servicio del equipo de seguridad de la motosierra

Aclaración! Para todos los trabajos de servicio y reparación de la máquina es necesaria una capacitación especial. Esto es especialmente aplicable al equipo de seguridad. Si la máquina no da resultados satisfactorios en alguno de los controles de la lista abajo, le recomendamos que acuda a un taller de servicio.

Freno de cadena con protección contra reculadas

Control del desgaste de la cinta de freno



Limpie el freno de cadena y el tambor de embrague de serrín, resina y suciedad. La suciedad y el desgaste perjudican la función de frenado. (96)

Controle regularmente que el punto más desgastado de la cinta de freno tenga un mínimo de 0,6 mm de grosor.

Control de la protección contra reculadas



Compruebe que la protección contra reculadas esté intacta, sin defectos visibles como, por ejemplo, grietas.

Empuje la protección contra reculadas adelante y atrás para comprobar que se mueve con facilidad y que está firmemente anclada a su articulación en la cubierta del embrague.

Control de la función de inercia



Mantenga la motosierra, con el motor parado, sobre un tocón u otro objeto estable. Suelte la empuñadura delantera y deje caer la motosierra por su propio peso, rotando en la empuñadura trasera, contra el tocón. (97)

El freno de cadena debe activarse cuando la punta de la espada toca el tocón. (98)

Control del efecto de frenado

Coloque la motosierra sobre una base firme y arránquela. Fíjese que la cadena no entre en contacto con el suelo u otro objeto. Consulte las instrucciones bajo el título Arranque y parada. (99)

Sostenga la motosierra con firmeza, agarrando los mangos con todos los dedos.

Acelere al máximo y active el freno de cadena girando la muñeca izquierda hacia la protección contra reculadas. No suelte el mango delantero. **La cadena debe detenerse inmediatamente. (58)**

MANTENIMIENTO

Fiador del acelerador



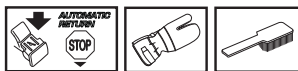
- Compruebe que el acelerador esté bloqueado en la posición de ralentí cuando el fiador está en su posición inicial. **(100)**
- Apriete el fiador del acelerador y compruebe que vuelva a su posición de partida al soltarlo. **(101)**
- Compruebe que el acelerador y el fiador se muevan con facilidad y que funcionen sus muelles de retorno. **(102)**
- Arranque el motosierra y acelere al máximo. Suelte el acelerador y compruebe que la cadena se pare y permanezca inmóvil. Si la cadena gira con el acelerador en la posición de ralentí debe controlarse el reglaje de ralentí del carburador.

Captor de cadena



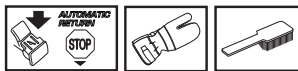
Compruebe que el captor de cadena esté intacto y que esté firmemente montado al cuerpo de la motosierra. **(103)**

Protección de la mano derecha



Compruebe que la protección de la mano derecha esté intacta, sin defectos visibles como, por ejemplo, grietas. **(11)**

Sistema amortiguador de vibraciones



Compruebe regularmente que los elementos antivibraciones no estén agrietados o deformados. Compruebe que los elementos antivibraciones estén bien anclados entre la parte del motor y la parte de los mangos, respectivamente. **(104)**

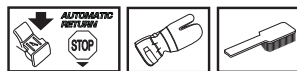
Botón de parada



Arranque el motor y compruebe que se pare cuando se mueve el botón de parada a la posición de parada. **(59)**

¡NOTA! El contacto de arranque/parada retorna automáticamente a la posición de marcha. Por consiguiente, para evitar el arranque involuntario hay que quitar siempre el capuchón de encendido de la bujía antes de realizar trabajos de montaje, control y/o mantenimiento.

Silenciador



Nunca utilice una máquina que tenga un silenciador defectuoso.

Compruebe regularmente que el silenciador esté firmemente montado en la máquina. **(105)**

Algunos silenciadores incorporan una rejilla apagachispas. Si el silenciador de su máquina lleva rejilla apagachispas, límpiela cada semana. Lo mejor es utilizar un cepillo de acero. Una red apagachispas obturada hace que se sobrecaliente el motor, con el riesgo consiguiente de avería grave del motor.

Aclaración! Si la rejilla tiene desperfectos, cámbiela. Con una rejilla obturada, la máquina se sobrecalienta y se averían el cilindro y el pistón. No utilice nunca la máquina si el silenciador está en mal estado. **Nunca utilice un silenciador sin una rejilla apagachispas o con una rejilla apagachispas defectuosa. (13)**

El silenciador está diseñado para amortiguar el ruido y para apartar del usuario los gases de escape. Los gases de escape están calientes y pueden contener chispas que pueden ocasionar incendios si se dirigen los gases a materiales secos e inflamables.

Mecanismo de arranque



¡ATENCIÓN! El muelle de retorno está tensado en el cuerpo del mecanismo de arranque y, con una manipulación negligente, puede soltarse y causar lesiones.

Para cambiar el muelle de arranque o el cordón de arranque, proceda con cuidado. Utilice gafas protectoras y guantes protectores.

Cambio del cordón de arranque



- Afloje los tornillos que fijan el mecanismo de arranque en el cárter y saque el mecanismo. **(106)**
- Extraiga el cordón unos 30 cm y sáquelo de la guía en la periferia de la polea. Anule el efecto del muelle de retorno dejando que la polea gire despacio hacia atrás. **(107)**
- Afloje el tornillo del centro de la polea y saque la rueda de arrastre (A), el muelle de arrastre (B) y la polea (C). Inserte y fije el cordón de arranque en la polea. Enrolle unas 3 vueltas del cordón de arranque en la polea. Monte la polea contra el muelle de retorno (D), enganchando el extremo de éste en la polea. A continuación monte el muelle de arrastre, la rueda de arrastre y el tornillo en el centro de la polea. Inserte el cordón de arranque en el agujero de la caja del

MANTENIMIENTO

mecanismo de arranque y en la empuñadura de arranque. A continuación haga un nudo resistente en el cordón de arranque. (108)

Tensado del muelle de retorno

- Saque el cordón de arranque de la guía de la polea y gire ésta en el sentido de las agujas del reloj unas 2 vueltas.

Aclaración! Compruebe que sea posible girar la polea como mínimo 1/2 vuelta más con el cordón totalmente extraído. (109)

Estire el cordón con la empuñadura. Aparte el pulgar y suelte el cordón. Vea la figura abajo. (110)

Cambio del muelle de retorno y el muelle de arrastre



Muelle de retorno (A)

- Levante la polea. Vea las instrucciones bajo el título Cambio de un cordón de arranque roto o desgastado. Tenga en cuenta que el muelle de retorno está tenso en el cuerpo del mecanismo de arranque.
- Desmonte el casete con el muelle de retorno fuera del mecanismo de arranque.
- Lubrique el muelle de retorno con aceite claro. Monte el casete con el muelle de retorno en el mecanismo de arranque. Monte la polea y tense el muelle de retorno.

Muelle de arrastre (B)

- Afloje el tornillo del centro de la polea y saque la rueda de arrastre y el muelle de arrastre.
- Cambie el muelle de arrastre y monte la rueda de arrastre encima del muelle. (111)

Montaje del mecanismo de arranque

- Para montar el mecanismo de arranque, primero extraiga el cordón y después coloque el mecanismo en su sitio en el cárter. Luego, suelte despacio el cordón para que los ganchos agarren la polea.
- Ponga los tornillos de fijación del mecanismo de arranque y apriételos.

Filtro de aire



El filtro de aire debe limpiarse regularmente de polvo y suciedad para evitar:

- Fallos del carburador
- Problemas de arranque
- Reducción de la potencia
- Desgaste innecesario de las piezas del motor.

- Un consumo de combustible excesivo.
- Para desmontar el filtro, saque primero la cubierta del cilindro. Al montar, compruebe que el filtro quede colocado herméticamente contra el soporte. Para limpiar el filtro, sacúdalo o cepíllelo. (112)

Para una limpieza a fondo del filtro, lávelo en agua jabonosa.

Un filtro utilizado durante mucho tiempo no puede limpiarse del todo. Por tanto, hay que cambiarlo a intervalos regulares. **Un filtro de aire averiado debe cambiarse.**

Una motosierra HUSQVARNA puede equiparse con varios tipos de filtro de aire, según el medio de trabajo, el clima, la estación del año, etc. Consulte a su distribuidor para mayor información.

Bujía



Los factores siguientes afectan al estado de la bujía:

- Carburador mal regulado.
- Mezcla de aceite inadecuada en el combustible (demasiado aceite o aceite inadecuado).
- Filtro de aire sucio.

Estos factores producen revestimientos en los electrodos de la bujía que pueden ocasionar perturbaciones del funcionamiento y dificultades de arranque.

Si la potencia de la máquina es demasiado baja, si es difícil arrancar la máquina o si el ralenti es irregular: revise primero la bujía antes de tomar otras medidas. Si la bujía está muy sucia, límpiela y compruebe que la separación de los electrodos sea de 0,5 mm. La bujía debe cambiarse aproximadamente después de un mes de funcionamiento o más a menudo si es necesario. (113)

Aclaración! ¡Utilice siempre el tipo de bujía recomendado! Una bujía incorrecta puede arruinar el pistón y el cilindro. Asegúrese de que la bujía tenga supresión de perturbaciones radioeléctricas.

Lubricación del cojinete de agujas



El tambor de embrague tiene un cojinete de agujas en el eje saliente. Este cojinete de agujas se debe lubricar regularmente.

Para lubricar se desmonta el envoltente del embrague aflojando las dos tuercas de la espada. A continuación coloque la sierra con el tambor de embrague arriba.

La lubricación se hace goteando aceite de motor en el centro del tambor de embrague al mismo tiempo que se gira éste. (114)

Sistema refrigerante



Para lograr una temperatura de funcionamiento lo más baja posible, la máquina incorpora un sistema refrigerante.

El sistema refrigerante está compuesto por:

- 1 Toma de aire en el mecanismo de arranque.
- 2 Deflector de aire.
- 3 Palas de ventilador en el volante.
- 4 Aletas de enfriamiento en el cilindro.
- 5 Cubierta del cilindro (dirige el aire refrigerante hacia el cilindro). (115)

Limpie el sistema refrigerante con un cepillo una vez por semana (en condiciones difíciles, con mayor frecuencia). Un sistema refrigerante sucio u obturado produce sobrecalentamiento de la máquina, con las consiguientes averías del cilindro y el pistón.

Depuración centrífuga "Air Injection"

Con la depuración centrífuga, todo el aire que va al carburador entra (es absorbido) a través del mecanismo de arranque. El ventilador de enfriamiento evacúa centrifugamente la suciedad y el polvo. (116)

¡IMPORTANTE! Para que la depuración centrífuga funcione satisfactoriamente, debe efectuarse un mantenimiento constante del sistema. Limpie la toma de aire del mecanismo de arranque, las palas de ventilador del volante, el espacio alrededor del volante, el tubo de admisión y el compartimiento del carburador.

Utilización en invierno

Al usar la máquina en clima frío o con nieve pueden producirse perturbaciones del funcionamiento, a causa de:

- Temperatura muy baja del motor.
- Formación de hielo en el filtro de aire y congelación del carburador.

Por consiguiente, suelen requerirse medidas especiales como:

- Reducción parcial de la toma de aire del mecanismo de arranque, con el aumento consiguiente de la temperatura del motor.

Temperaturas de -5°C o inferiores:



Para utilizar la máquina en climas fríos o con polvillo de nieve, hay una cubierta especial que se coloca sobre el cuerpo del mecanismo de arranque. Se reduce así la entrada de aire frío y se impide la aspiración de grandes cantidades de nieve. (117)

¡NOTA! Si se ha montado el conjunto especial de invierno o si se han tomado medidas para aumentar la temperatura, debe cambiarse al reglaje normal, puesto que la máquina funciona con temperatura normal. De lo contrario, hay riesgo de sobrecalentamiento con las consiguientes averías graves del motor.

¡IMPORTANTE! Todas las medidas de mantenimiento que no estén indicadas en este manual deben ser efectuadas por una tienda autorizada con servicio (distribuidor).

MANTENIMIENTO

Programa de mantenimiento

A continuación incluimos una lista con los puntos de mantenimiento a efectuar en la máquina. La mayoría de los puntos se describen en el capítulo "Mantenimiento".

Mantenimiento diario	Mantenimiento semanal	Mantenimiento mensual
Limpie la parte exterior de la máquina.	Compruebe el sistema de refrigeración cada semana.	Compruebe si está desgastada la cinta del freno de cadena. Cámbiela cuando quede menos de 0,6 mm en el punto más gastado.
Compruebe que los componentes del acelerador funcionen con seguridad. (Fiador y acelerador.)	Revise el mecanismo de arranque y el resorte de retorno.	Compruebe si están desgastados el centro, el tambor y el muelle de embrague.
Limpie el freno de cadena y compruebe que funcione con seguridad. Verifique que el captor de cadena esté intacto y cámbielo si es necesario.	Compruebe que los elementos antivibración no están dañados.	Limpie la bujía. Compruebe que la separación de los electrodos sea de 0,5 mm.
La espada debe girarse regularmente para que el desgaste sea igualado. Compruebe que el orificio de lubricación de la espada no esté obturado.	Engrase el cojinete del tambor del embrague.	Limpie el exterior del carburador.
Compruebe que la espada y la cadena reciban aceite suficiente.	Lime las eventuales rebabas en los lados de la espada.	Revise el filtro y el conducto de combustible. Cámbielos si es necesario.
Revise la cadena de sierra en lo referente a grietas en remaches y eslabones, rigidez de la cadena o desgaste anormal de remaches y eslabones. Cambie las piezas gastadas.	Limpie o cambie el apagachispas del silenciador.	Vacíe el depósito de combustible y límpielo interiormente.
Afile la cadena y compruebe su tensado y su estado. Verifique que el piñón de arrastre de la cadena no esté demasiado desgastado, cámbielo si es necesario.	Limpie el compartimento del carburador.	Vacíe el depósito de aceite y límpielo interiormente.
Limpie la toma de aire del mecanismo de arranque.	Limpie el filtro de aire. Cámbielo si es necesario.	Revise todos los cables y conexiones.
Compruebe que los tornillos y las tuercas estén apretados.		
Controle que el mando de detención funcione.		
Controle que no haya fugas de combustible del motor, del depósito o de los conductos de combustible.		
Compruebe que la cadena no rote cuando la máquina está en ralentí.		

DATOS TECNICOS

Datos técnicos

	435 II	435e II	440 II	440e II
Motor				
Cilindrada, cm ³	40,9	40,9	40,9	40,9
Diámetro del cilindro, mm	41	41	41	41
Carrera, mm	31	31	31	31
Régimen de ralentí, r.p.m.	2900	2900	2900	2900
Potencia, kW/r.p.m.	1,6/9000	1,6/9000	1,8/9000	1,8/9000
Sistema de encendido				
Bujía	NGK BPMR 7A/ Champion RCJ 7Y	NGK BPMR 7A/ Champion RCJ 7Y	NGK BPMR 7A/ Champion RCJ 7Y	NGK BPMR 7A/ Champion RCJ 7Y
Distancia de electrodos, mm	0,5	0,5	0,5	0,5
Sistema de combustible y lubricación				
Capacidad del depósito de gasolina, litros	0,37	0,37	0,37	0,37
Caudal de la bomba de aceite a 9.000 r.p.m., ml/min.	13	13	13	13
Capacidad del depósito de aceite, litros	0,25	0,25	0,25	0,25
Tipo de bomba de aceite	Automática	Automática	Automática	Automática
Peso				
Motosierra sin espada ni cadena, con depósitos vacíos, kg	4,2	4,4	4,2	4,4
Emisiones de ruido (vea la nota 1)				
Nivel de potencia acústica medido dB(A)	112	112	113	113
Nivel de potencia acústica garantizado L _{WA} dB(A)	114	114	114	114
Niveles acústicos (vea la nota 2)				
Nivel de presión acústica equivalente en el oído del usuario, dB(A).	102	102	102	102
Niveles de vibración equivalentes, a_{hv}, eq (véase la nota 3).				
Mango delantero, m/s ²	2,5	2,5	2,5	2,5
Mango trasero, m/s ²	3,2	3,2	3,2	3,2
Cadena/espada				
Longitud de espada estándar, pulgadas/cm	13"/33	13"/33	13/33	13"/33
Longitudes de espada recomendadas, pulgadas/cm	13-18/33-45	13-18/33-45	13-18/33-45	13-18/33-45
Longitud efectiva de corte, pulgadas/cm	12-17/31-43	12-17/31-43	12-17/31-43	12-17/31-43
Paso, pulgadas/mm	0,325/8,25	0,325/8,25	0,325/8,25	0,325/8,25
Grosor del eslabón de arrastre, pulgadas/mm	0,050/1,3	0,050/1,3	0,050/1,3	0,050/1,3
Tipo de piñón de arrastre/número de dientes	Spur/7	Spur/7	Spur/7	Spur/7
Velocidad de la cadena al 133% del régimen del motor máximo, m/s.	23,1	23,1	23,1	23,1

Nota 1: Emisiones sonoras en el entorno medidas como potencia acústica (L_{WA}) según la directiva CE 2000/14/CE.

Nota 2: el nivel de presión sonora equivalente, según la norma ISO 22868, se calcula como la suma de energía, ponderada en el tiempo, de los niveles de presión sonora en diferentes condiciones de trabajo. La dispersión estadística habitual del nivel de presión sonora equivalente es la desviación típica de 1 dB (A).

Nota 3: el nivel de vibración equivalente, según la norma ISO 22867, se calcula como la suma de energía, ponderada en el tiempo, de los niveles de vibración en diferentes condiciones de trabajo. Los datos referidos del nivel de vibración equivalente poseen una dispersión estadística habitual (desviación típica) de 1 m/s².



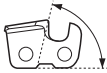
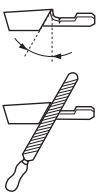

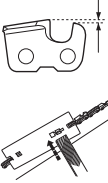
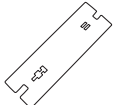
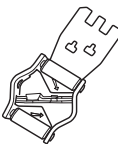
DATOS TECNICOS

Combinaciones de espada y cadena

Los siguientes equipos de corte están homologados para los modelos Husqvarna 435 II, 435e II, 440 II y 440e II.

Espada				Cadena	
Longitud, pulgadas	Paso, pulgadas	Anchura de ranura, mm	Máximo número de dientes, cabezal de rueda	Tipo	Longitud, eslabones de arrastre (unidad)
13	0,325	1,3	10T	Husqvarna H30	56
15					64
16					66
18					72

Afilado y calibres de afilado de la cadena de sierra

							
H30	3/16 / 4,8	85°	30°	10°	0,025 / 0,65	5056981-00	5056981-08

Declaración CE de conformidad

(Rige sólo para Europa)

Nosotros, **Husqvarna AB**, SE-561 82 Huskvarna, Suecia, tel. +46-36-146500, declaramos que las motosierras para los servicios forestales **Husqvarna 435 II, 435e II, 440 II y 440e II**, a partir del número de serie del año 2013 en adelante (el año se indica claramente en la placa de identificación, seguido del número de serie), cumplen con las siguientes disposiciones en la DIRECTIVA DEL CONSEJO:

- **2006/42/CE** «relativa a máquinas» del 17 de mayo de 2006.
- **2004/108/CEE**, "referente a compatibilidad electromagnética", del 15 de diciembre de 2004.
- **2000/14/CE**, "sobre emisiones sonoras en el entorno" del 8 de mayo de 2000.

Para más información sobre las emisiones sonoras, consulte el capítulo Datos técnicos. Se han aplicado las siguientes normas: **EN ISO 12100:2010, ISO 14982:2009, EN ISO 11681-1:2011**

Organismo inscripto: **0404, SMP, Svensk Maskinprovning AB**, Box 7035, SE-750 07 Uppsala, Suecia, ha efectuado el examen CE de tipo conforme a la Directiva sobre máquinas (2006/42/CE), artículo 12, apartado 3b. Los certificados sobre el examen CE de tipo conforme al Anexo IX tienen el número: **0404/09/2012** - 435 II, 435e II, 440 II, 440e II.

Asimismo, SMP, Svensk Maskinprovning AB, Box 7035, SE-750 07 Uppsala, Suecia, ha certificado la conformidad con el Anexo V de la Directiva del Consejo del 8 de mayo de 2000 "sobre emisiones sonoras en el entorno", 2000/14/CE. Los certificados tienen el número: **01/161/075** - 435 II, 435e II, **01/161/074** - 440 II, 440e II.

La motosierra entregada coincide con el ejemplar que fue sometido al examen CE de tipo.

Husqvarna, 8 de abril de 2013



Bengt Frögelius, Jefe de Desarrollo Motosierra (Presentante autorizado de Husqvarna AB y responsable de la documentación técnica.)

EXPLICAÇÃO DOS SÍMBOLOS

Símbolos na máquina:

ATENÇÃO! Moto-serras podem ser perigosas! O uso indevido ou incorrecto poderá causar sérios ferimentos ou até mesmo a morte do utilizador ou outras pessoas.

Leia as instruções para o uso com toda a atenção e compreenda o seu conteúdo antes de fazer uso da máquina.

Use sempre:

- Capacete protector aprovado
- Protectores acústicos aprovados
- Óculos ou viseira de protecção

Este produto está conforme as directivas em validade da CE.

Emissões sonoras para o meio ambiente conforme directiva da Comunidade Europeia. A emissão da máquina é indicada no capítulo Especificações técnicas e no autocolante.

Ignição; estrangulador: Ponha o estrangulador na posição de estrangular. O contacto de paragem irá automaticamente para a posição de arranque.

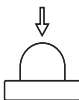
Enchimento de combustível.

Enchimento com óleo de corrente.

Bomba de combustível.

Ajuste da bomba de óleo.

Travão da corrente, activado (direita) Travão da corrente, não activado (esquerda)



Símbolos nas instruções para o uso:

A inspecção e/ou manutenção devem ser efectuadas com o motor desligado. NOTA! O interruptor de Arranque/Paragem retorna automaticamente à posição de operação. Por isso, para impedir o arranque accidental da máquina, deve-se sempre remover a protecção da vela de ignição durante todos os trabalhos de montagem, inspecção e/ou manutenção.

Use sempre luvas de protecção aprovadas.

Limpeza periódica obrigatória.

Inspeção ocular.

Uso obrigatório de óculos ou viseira de protecção.

Enchimento de combustível.

Enchimento de óleo e ajustamento do caudal do óleo.

O travão da corrente deve estar activado no arranque da moto-serra.

ATENÇÃO! Quando a ponta da lâmina entra em contacto com um objecto, pode causar uma reacção de retrocesso, em que a lâmina é atirada para cima e para trás, contra o utilizador. Isso pode causar graves ferimentos.



Índice

EXPLICAÇÃO DOS SÍMBOLOS

Símbolos na máquina:	245
Símbolos nas instruções para o uso:	245

ÍNDICE

Índice	246
--------------	-----

INTRODUÇÃO

Prezado cliente!	247
------------------------	-----

COMO SE CHAMA?

Como se chama, na moto-serra?	247
-------------------------------------	-----

INSTRUÇÕES GERAIS DE SEGURANÇA

Precauções antes de usar a nova moto-serra	248
Importante	249
Use sempre o seu bom senso	249
Equipamento de protecção pessoal	249
Equipamento de segurança da máquina	249
Equipamento de corte	252

MONTAGEM

Montagem da lâmina e corrente	256
-------------------------------------	-----

MANEJO DE COMBUSTÍVEL

Combustível	257
Abastecimento	258
Segurança no manejo de combustível	258

ARRANQUE E PARAGEM

Arranque e paragem	259
--------------------------	-----

TÉCNICA DE TRABALHO

Sempre, antes de usar:	261
Instruções gerais de trabalho	261
Medidas de prevenção contra retrocessos	265

MANUTENÇÃO

Noções gerais	266
Afinação do carburador	266
Controlo, manutenção e assistência ao equipamento de segurança da moto-serra	266
Silenciador	267
Dispositivo de arranque	267
Filtro de ar	268
Vela de ignição	268
Lubrificação do rolamento de agulhas	268
Sistema de arrefecimento	269
Purificação centrífuga "Air injection"	269
Uso durante o inverno	269
Esquema de manutenção	270

ESPECIFICAÇÕES TÉCNICAS

Especificações técnicas	271
Combinações de lâmina e corrente	272
Limagem e calibradores de lima da corrente da serra.	272
Certificado CE de conformidade	272

INTRODUÇÃO

Prezado cliente!

Parabéns pela sua preferência na compra de um produto Husqvarna! A história da Husqvarna recua no tempo até 1689, quando o rei Karl XI mandou construir uma fábrica na margem da ribeira Huskvarna para fabricar mosquetes. A localização junto à ribeira Huskvarna era lógica, dado que as água da ribeira eram usadas para gerar energia e desta forma se tinha acesso a uma hidrogeradora de energia. Durante os mais de 300 anos de existência da fábrica Husqvarna foram fabricados inúmeros produtos, desde os antigos fogões a lenha às modernas máquinas de cozinha, máquinas de coser, bicicletas, motocicletas, etc. Em 1956 foi lançada a primeira máquina de cortar relva motorizada que em 1959 foi seguida da motosserra, e é neste sector que a Husqvarna actualmente actua.

A Husqvarna é actualmente um dos maiores fabricantes mundiais de produtos florestais e para jardinagem, com a qualidade e o desempenho como prioridade máxima. A ideia comercial é projectar, fabricar e comercializar produtos motorizados para uso florestal e de jardinagem, bem como para a indústria da construção e a indústria fabril. A meta da Husqvarna é também ser ponta de lança no que diz respeito a ergonomia, facilidade de utilização, segurança e consciência ambiental, razão pela qual foram criados vários aperfeiçoamentos para melhorar os produtos nessas áreas.

Estamos convencidos de que será com satisfação que apreciará a qualidade e desempenho dos nossos produtos durante muito tempo no futuro. A compra de qualquer dos nossos produtos dá-lhe acesso a ajuda profissional com reparações e assistência técnica, na eventualidade de, apesar de tudo, acontecer qualquer coisa. No caso do local de compra da máquina não ter sido nenhum dos nossos revendedores autorizados, pergunte-lhes aonde fica a oficina especializada mais próxima.

Esperamos que ficará satisfeito com a sua nova máquina e que ela o acompanhará durante muito tempo. Lembre-se de que estas instruções de utilização são um documento valioso. Seguindo o seu conteúdo (utilização, assistência técnica, manutenção, etc) aumentará consideravelmente a vida útil da máquina bem como o preço de venda em segunda mão da mesma. Se vender a sua máquina, entregue as instruções de utilização ao novo proprietário.

Muito obrigado por usar um produto Husqvarna!

Husqvarna AB efectua o desenvolvimento contínuo dos seus produtos, reservando-se o direito de introduzir modificações referentes, entre outros, ao aspecto e forma dos mesmos sem aviso prévio.

Como se chama, na moto-serra? (1)

- 1 Cobertura do cilindro
- 2 Bomba de combustível.
- 3 Advertência para o arranque
- 4 Interruptor combinado de arranque e paragem.
- 5 Punho traseiro
- 6 Autocolante de informação e aviso
- 7 Depósito de combustível
- 8 Parafusos de afinação carburador
- 9 Pega do arranque
- 10 Dispositivo de arranque
- 11 Depósito de óleo da corrente
- 12 Placa de tipo e número de série
- 13 Marca direccionadora de abate.
- 14 Punho dianteiro
- 15 Protecção anti-retrocesso
- 16 Silenciador
- 17 Corrente
- 18 Roletó
- 19 Lâmina
- 20 Apoio para casca
- 21 Retentor de corrente
- 22 Parafuso esticador da corrente (435 II, 440 II)
- 23 Cobertura do acoplamento (435 II, 440 II)
- 24 Protector da mão direita
- 25 Acelerador
- 26 Bloqueio do acelerador
- 27 Cobertura do acoplamento (435e II, 440e II)
- 28 Roda tensora da corrente
- 29 Manipulo
- 30 Instruções para o uso
- 31 Chave universal
- 32 Protector de lâmina

INSTRUÇÕES GERAIS DE SEGURANÇA

Precauções antes de usar a nova moto-serra

- Leia atentamente as instruções para o uso.
- (1) - (117) refere a ilustrações na página 2-6.
- Controle a montagem e o ajuste do equipamento de corte. Ver as instruções na secção Montagem,
- Abastecer combustível e pôr a motosserra a funcionar. Ver instruções nas secções Manuseamento de combustível e Arranque e paragem.
- Não use a moto-serra antes de haver penetrado suficiente óleo lubrificante na corrente. Ver as instruções na secção Equipamento de corte.
- A exposição prolongada a ruídos pode provocar danos auditivos permanentes. Por isso, use sempre protectores acústicos aprovados.



ATENÇÃO! Sob nenhuma circunstância é permitido modificar a configuração original da máquina sem a autorização expressa do fabricante. Devem usar-se sempre acessórios originais. Modificações e/ou acessórios não autorizados podem acarretar em sérias lesões ou perigo de vida para o utilizador ou outros.



ATENÇÃO! Uma moto-serra usada inadvertida ou erradamente pode transformar-se numa ferramenta perigosa, causando sérias lesões, até mesmo mortais. É muito importante que você leia e compreenda o conteúdo destas instruções para o uso.



ATENÇÃO! O interior do silenciador contém produtos químicos potencialmente cancerígenos. Evite o contacto directo com esses produtos se tiver um silenciador danificado.



ATENÇÃO! A inspiração prolongada dos gases de escape do motor, de névoa do óleo da corrente ou de serrim pode ser um risco para a saúde.



ATENÇÃO! Esta máquina produz um campo electromagnético durante o funcionamento. Em determinadas circunstâncias, este campo pode interferir com o funcionamento de implantes médicos activos ou passivos. Para reduzir o risco de lesões graves ou mortais, recomendamos que portadores de dispositivos implantados consultem o seu médico e o fabricante do implante antes de utilizar a máquina.



ATENÇÃO! Não permita nunca que uma criança use a máquina ou se encontre na proximidade da mesma. Devido à máquina estar equipada com contacto de paragem elástico e poder ser posta a funcionar a baixa velocidade e pouca força desde o punho de arranque, podem até crianças pequenas, em determinadas circunstâncias, ter força suficiente para dar o arranque à máquina. Isso pode implicar perigo de lesões graves. Por isso, retire sempre a protecção da vela quando a máquina não estiver sob vigilância.

INSTRUÇÕES GERAIS DE SEGURANÇA

Importante

!IMPORTANTE!

Esta moto-serra para silvicultura foi concebida para trabalhos na floresta, tais como abate de árvores, desramação e corte.

A legislação nacional poderá restringir a utilização desta máquina.

Só deverão ser usadas as combinações de lâmina/corrente por nós recomendadas no capítulo Especificações técnicas.

Nunca use a máquina quando estiver cansado, tiver bebido álcool ou tomado remédios que possam afectar a sua vista, a sua capacidade de discernimento ou o seu controlo físico.

Use equipamento de protecção pessoal. Ver as instruções na secção "Equipamento de protecção pessoal".

Não modifique nunca esta máquina de forma a deixar de corresponder à versão original e não a use caso pareça ter sido modificada por outros.

Nunca use uma máquina defeituosa. Efectue as verificações de segurança e cumpra as instruções de manutenção e assistência técnica contidas neste manual. Alguns serviços de manutenção e de assistência técnica deverão ser executados por especialistas qualificados. Consulte as instruções na secção Manutenção.

Nunca use outros acessórios além dos recomendados nestas instruções para o uso. Ver as instruções nas secções Equipamento de corte e Especificações técnicas.

NOTA! Use sempre óculos de protecção ou viseira para reduzir o risco de danos causados por objectos arremessados. Uma motosserra pode projectar objectos, tais como serradura, pequenos pedaços de madeira etc. com muita força. Isso pode causar ferimentos graves, especialmente nos olhos.



ATENÇÃO! A utilização dum motor em ambiente fechado ou mal ventilado pode causar a morte por asfixia ou envenenamento por gás carbónico.



ATENÇÃO! Um equipamento de corte defeituoso ou uma combinação lâmina/corrente incorrecta, aumentam o perigo de retrocesso! Use apenas as combinações lâmina/corrente por nós recomendadas e siga as instruções de afiação. Consulte as instruções na secção Especificações técnicas.

Use sempre o seu bom senso (2)

É impossível cobrir todas as possíveis situações que se lhe podem deparar ao usar uma motosserra. Por isso, tenha cuidado e use o seu bom senso. Evite todas as

situações para as quais se sinta insuficientemente capacitado! Se após ter lido estas instruções ainda se sentir inseguro quanto ao modo de proceder, aconselhe-se com um especialista antes de prosseguir. No caso de ter dúvidas sobre a forma de utilizar a motosserra, não hesite em entrar em contacto com o seu revendedor ou conosco. Estamos ao seu dispor e dar-lhe-emos conselhos que o ajudarão a usar a sua motosserra de uma forma melhor e mais segura. Considere frequentar um curso de silvicultura. O seu revendedor, escola de silvicultura ou a sua biblioteca poderão informá-lo sobre o material de instrução e cursos disponíveis. Decorre um trabalho constante para aperfeiçoar o design e a técnica, melhoramentos esses que aumentam a sua segurança e eficiência. Visite regularmente o seu revendedor para ver que proveito pode tirar das novidades lançadas.

Equipamento de protecção pessoal



ATENÇÃO! A maioria dos acidentes com moto-serras ocorrem quando a corrente da serra atinge o utilizador. Em quaisquer circunstâncias de utilização da máquina deve ser utilizado equipamento de protecção pessoal aprovado. O equipamento de protecção pessoal não elimina o risco de lesão mas reduz os seus efeitos em caso de acidente. Consulte o seu concessionário na escolha do equipamento.

- Capacete protector aprovado
- Protectores acústicos
- Óculos ou viseira de protecção
- Luvas com protecção anti-serra
- Calças com protecção contra serra
- Botas com protecção anti-serra, biqueira de aço e sola anti-deslizante
- Os primeiros socorros devem sempre estar à mão.
- Extintor de incêndios e pá

As roupas de um modo geral devem assentar bem e não limitar a sua liberdade de movimentos.



!IMPORTANTE! O silenciador, a lâmina e a corrente ou qualquer outra fonte podem emitir chispas. Tenha sempre utensílios de extinção de incêndios à mão, para o caso de serem necessários. Desse modo contribuirá para impedir incêndios florestais.

Equipamento de segurança da máquina

Nesta secção são apresentados os componentes de segurança da máquina e explicadas as respectivas funções. Para inspecção, manutenção e serviço, consultar as instruções na secção Inspeção, manutenção e serviço do equipamento de segurança da

INSTRUÇÕES GERAIS DE SEGURANÇA

motosserra. Veja as indicações na secção Como se chama?, para localizar esses componentes na sua máquina.

A duração da máquina pode ser afectada e o perigo de acidentes pode aumentar se a manutenção da máquina não for correcta e se as revisões e reparações não forem executadas de forma profissional. Se necessitar de mais esclarecimentos, entre em contacto com uma oficina autorizada.



ATENÇÃO! Nunca use uma máquina com equipamento de segurança defeituoso. O equipamento de segurança deve ser verificado e mantido em bom estado. Veja instruções na secção Inspeção, manutenção e serviço do equipamento de segurança da motosserra. Se a sua máquina não cumprir todos os pontos de verificação, deverá ser enviada a uma oficina para reparação.

Travão de corrente com protector anti-retrocesso

A sua motosserra está equipada com travão de corrente, o qual está projectado para parar a corrente em caso de retrocesso. O travão da corrente reduz o risco de acidentes, mas só Você como utilizador os poderá evitar. (3)

Tenha cuidado ao usar e controle para que o sector de risco de retrocesso da lâmina nunca entre em contacto com algum objecto. (4)

- O travão da corrente é activado, ou manualmente (com a mão esquerda) ou pela função de inércia. (5)
- A activação ocorre quando o protector anti-retrocesso (B) é impulsionado para a frente. (5)
- Este movimento activa um mecanismo de mola que comprime a cinta de travagem (C) à volta do sistema de propulsão da corrente (D) (tambor de fricção). (6)
- O protector anti-retrocesso não é somente construído para activar o travão de corrente. Uma outra função muito importante é a de reduzir o risco de que a mão esquerda seja atingida pela corrente, caso não consiga fixar-se no punho dianteiro.
- O travão da corrente deve estar aplicado quando se dá o arranque à motosserra, para impedir que a corrente rode. (55)
- Use o travão da corrente como 'travão de estacionamento' durante o arranque e ao deslocar-se por distâncias curtas, para impedir acidentes em que o utilizador ou circundantes entrem em contacto involuntário com a corrente da serra em movimento. Não deixe a moto-serra ligada com o travão da corrente activado durante muito tempo. A moto-serra pode ficar muito quente.
- O travão da corrente é libertado movendo para trás a protecção contra o retrocesso marcada com "PULL BACK TO RESET" (PUXAR PARA REPOR) , na direcção do punho dianteiro.

- Os retrocessos podem ocorrer subitamente e ser muito violentos. A maior parte dos retrocessos é pequena e nem sempre activa o travão de corrente. No caso de tais retrocessos é importante segurar a moto-serra bem firme sem a soltar.
- O que determina como o travão de corrente é accionado, manualmente ou por inércia, é a violência do retrocesso e também a posição da moto-serra em relação ao objecto com o qual o sector de risco de retrocesso da lâmina entrou em contacto.

Na ocorrência de retrocessos violentos ou quando o sector de risco de retrocesso se encontra o mais longe possível do utilizador, o travão da corrente está construído de modo a ser activado através do contrapeso do travão (inércia) na direcção do retrocesso. (7)

Em casos de retrocessos menos violentos ou durante situações de trabalho onde o sector de risco de retrocesso se encontra próximo ao utilizador, activa-se o travão de corrente manualmente através da mão esquerda.

- Na posição de abate, a mão esquerda está numa posição que impossibilita a activação manual do travão. Nesta forma de segurar, ou seja, quando a mão esquerda está colocada de forma que não pode influenciar o movimento da protecção contra retrocesso, o travão da corrente só pode ser activado através da função de inércia. (8)

A minha mão activará sempre o travão da corrente na ocorrência de um retrocesso?

Não. É necessária uma certa força para empurrar para a frente a protecção anti-retrocesso. Se a sua mão apenas tocar ligeiramente na protecção anti-retrocesso ou resvalar por cima da mesma, pode a força não ser suficiente para fazer disparar o travão da corrente. Durante o trabalho, você deve agarrar a motosserra firmemente pelos punhos. Se o fizer e ocorrer um retrocesso, a sua mão talvez não chegue nunca a soltar o punho dianteiro e não activará o travão da corrente, ou então o travão só é activado após a serra ter girado uma distância considerável. Neste tipo de situação, pode acontecer que o travão não tenha tempo de fazer parar a corrente antes dela lhe tocar.

Existem também certas posições de trabalho que fazem com que a sua mão não alcance a protecção anti-retrocesso para activar o travão; por exemplo quando a serra é empunhada na posição de abate.

A activação do travão da corrente por inércia funcionará sempre na ocorrência de um retrocesso?

Não. Em primeiro lugar o travão tem que estar em boas condições de funcionamento. Testar o travão é fácil; veja as instruções na secção Inspeção, manutenção e serviço do equipamento de segurança da motosserra. Recomendamos que o faça antes de começar cada turno de trabalho. Em segundo lugar o retrocesso tem que ser

INSTRUÇÕES GERAIS DE SEGURANÇA

suficientemente forte para activar o travão da corrente. Se o travão da corrente fosse demasiado sensível, seria activado constantemente estorvando o trabalho.

O travão da corrente proteger-me-á sempre de ferimentos na ocorrência de um retrocesso?

Não. Em primeiro lugar o travão tem que estar em bom estado de funcionamento para proporcionar a protecção prevista. Em segundo lugar tem que ser activado como descrito acima para parar a corrente na ocorrência de um retrocesso. Em terceiro lugar, o travão da corrente pode ser activado, mas se a lâmina se encontrar muito perto de si, pode acontecer que o travão não tenha tempo de abrandar e fazer parar a corrente antes da motosserra lhe acertar.

Só você mesmo, com uma técnica de trabalho correcta, poderá eliminar os retrocessos e os perigos inerentes aos mesmos.

Bloqueio do acelerador

O bloqueio do acelerador tem como função impedir a activação involuntária do acelerador. Quando o bloqueio (A) é apertado no punho (= quando se agarra o punho), o acelerador (B) é libertado. Quando se solta o punho, tanto o acelerador como o bloqueio do acelerador retornam às suas posições originais. Nesta posição o acelerador fica bloqueado na marcha em vazio. (9)

Retentor de corrente

O retentor de corrente é construído para captar a corrente se esta saltar ou se romper. Geralmente, estas ocorrências são evitadas por uma tensão de corrente correcta (ver as instruções na secção Montagem), bem como por manutenção e assistência adequadas à lâmina e corrente (ver as instruções na secção Instruções gerais de trabalho). (10)

Protector da mão direita

O protector da mão direita deverá, além de proteger a mão se a corrente saltar ou se romper, evitar que galhos e ramos interfiram na operação do punho traseiro. (11)

Sistema anti-vibração

A máquina está equipada com um sistema de amortecimento de vibrações, construído de forma a propiciar uma utilização tão confortável e isenta de vibrações quanto possível.

O sistema de amortecimento de vibrações da máquina reduz a transmissão das vibrações entre a parte do motor/equipamento de corte e a parte dos punhos. O corpo da moto-serra, inclusive o equipamento de corte, está suspenso pela parte dos punhos por meio de elementos anti-vibração.

Serrar um tipo de madeira duro (geralmente árvores de folhas caducas) provoca vibrações maiores do que serrar um tipo macio (geralmente coníferas). Serrar com um equipamento de corte não afiado ou errado (tipo errado ou erradamente afiado), aumenta o nível de vibrações.



ATENÇÃO! A sobreexposição a vibrações pode causar lesões cardiovasculares e nervosas a pessoas com problemas de circulação sanguínea. No caso de sentir sintomas físicos que o façam suspeitar de sobreexposição a vibrações, consulte um médico. Estes sintomas podem manifestar-se como torpor, ausência de sensibilidade, 'cócegas', 'picadelas', dor, falta ou redução de força normal, alterações de cor da pele ou da sua superfície. Estes sintomas manifestam-se normalmente nos dedos, nas mãos e nos punhos. Estes sintomas são mais evidentes a temperaturas baixas.

Contacto de paragem

O contacto de paragem é usado para desligar o motor. (12)

Silenciador

O silenciador é construído para propiciar o mais baixo nível de ruído possível bem como desviar os gases de escape do utilizador.



ATENÇÃO! Os gases de escape do motor são quentes e podem conter faíscas causadoras de incêndios. Portanto, nunca arranque com a máquina em interiores ou nas proximidades de material inflamável!

Em zonas geográficas com clima seco, o perigo de incêndio é maior. Nessas zonas por vezes há regulamentos que exigem que o silenciador esteja equipado com, entre outras coisas, rede retentora de faíscas aprovada. (13)

Ao colocar a rede, assegure-se de que esta é inserida na posição correcta. Caso seja necessário, utilize a chave universal para inserir ou remover a rede.

NOTA! O silenciador fica muito quente tanto durante o funcionamento como após se desligar a máquina. Isto aplica-se também quando a motosserra na marcha em vazio. Esteja consciente do perigo de incêndio, especialmente ao manusear substâncias inflamáveis e/ou gases.



ATENÇÃO! Nunca use uma motosserra sem silenciador ou com o silenciador defeituoso. Um silenciador defeituoso pode aumentar consideravelmente o nível de ruído e o perigo de incêndio. Tenha à mão utensílios para extinção de incêndios. Se no seu local de trabalho for obrigatório o uso de rede retentora de faíscas, nunca use uma motosserra sem rede retentora de faíscas ou com a mesma defeituosa.

INSTRUÇÕES GERAIS DE SEGURANÇA

Equipamento de corte

Esta secção mostra como você, através de uma correcta manutenção e uso do equipamento de corte correcto, poderá:

- Reduzir as tendências da máquina a retrocesso.
- Reduz a ocorrência de saltos e ruptura da corrente.
- Obtém o melhor rendimento de corte.
- Aumentar a vida útil do equipamento de corte.
- Evita o aumento de níveis de vibração.

Regras básicas

- **Use somente o equipamento de corte por nós recomendado!** Consulte as instruções na secção Especificações técnicas.
- **Mantenha os dentes de corte da corrente bem e correctamente afiados! Siga as nossas instruções e use o calibrador de lima recomendado.** Uma corrente mal afiada ou danificada aumenta os riscos de acidente.
- **Mantenha a abertura de corte correcta! Siga as nossas instruções e use a matriz de abertura de corte correcta.** Uma abertura de corte grande demais aumenta o risco de retrocesso da serra.
- **Mantenha a corrente esticada!** Se estiver mal esticada, aumenta o risco de saltar a corrente bem como o desgaste da lâmina, da corrente e do pinhão.
- **Conserva o equipamento de corte bem lubrificado e com a manutenção correcta!** Uma lubrificação deficiente da corrente aumenta os riscos desta romper-se bem como aumenta o desgaste da lâmina, da corrente e do pinhão.

Equipamento de corte que reduz a ocorrência de retrocesso



ATENÇÃO! Um equipamento de corte defeituoso ou uma combinação lâmina/corrente incorrecta, aumentam o perigo de retrocesso! Use apenas as combinações lâmina/corrente por nós recomendadas e siga as instruções de afiação. Consulte as instruções na secção Especificações técnicas.

O retrocesso só se pode evitar se você, como utilizador, evitar sempre que o sector de risco de retrocesso da lâmina entre em contacto com qualquer objecto.

Usando o equipamento de corte com redução de retrocesso "incorporada" e afiando e mantendo a corrente da serra correctamente, pode-se reduzir o efeito de retrocesso.

Lâmina

Quanto menor for o raio da ponta da lâmina, menor será a tendência de retrocesso.

Corrente

A corrente é composta por elos que existem tanto no modelo standard como no modelo redutor de retrocesso.

IMPORTANTE! Nenhuma corrente de serra elimina o risco de retrocesso.



ATENÇÃO! Todo e qualquer contacto com a corrente da serra pode causar ferimentos graves.

Algumas expressões que especificam a lâmina e a corrente

Para conservar em bom estado todos os componentes de segurança do equipamento de corte, é importante substituir combinações de lâmina/corrente gastas ou danificadas por uma lâmina e uma corrente recomendadas pela Husqvarna. Para informação sobre as combinações de lâmina/corrente por nós recomendadas, veja as instruções na secção Especificações técnicas.

Lâmina

- Comprimento (pol/cm)
- Número de dentes no rolete (T).
- Passo da corrente (=pitch) (pol). O rolete da lâmina e o pinhão da moto-serra devem estar adequados à distância entre os elos de condução. **(14)**
- Total de elos de condução (unid). Cada comprimento de lâmina fornece, em combinação com o passo da corrente e com o total de dentes no rolete da lâmina um número determinado de elos de condução.
- Largura da ranhura da lâmina (pol/mm). A largura da ranhura da lâmina deve estar ajustada à largura dos elos de condução da corrente.
- Orifício de lubrificação da corrente e orifício da cavilha do esticador da corrente. A lâmina deverá estar ajustada à construção da moto-serra. **(15)**

Corrente

- Passo da corrente (=pitch) (pol) **(14)**
- Largura dos elos de condução (mm/pol) **(16)**
- Total de elos de condução (unid) **(17)**

Afiação e ajuste da abertura de corte da corrente de serra.

Noções gerais sobre afiação dos dentes de corte

- Não use nunca uma corrente romba. Um dos sintomas de que a corrente está romba, é ser necessário forçar o equipamento de corte através da madeira e as aparas produzidas serem muito pequenas. Uma corrente de serra muito romba não produz aparas nenhuma. O único resultado é pó de madeira.
- Uma corrente de serra bem afiada avança facilmente através da madeira e produz aparas grandes e compridas.

INSTRUÇÕES GERAIS DE SEGURANÇA

- O componente cortante duma corrente de serra chama-se elo de corte e consiste de um dente de corte (A) e dum salto de abertura de corte (B). A distância em altura entre os dois determina a profundidade de corte. (18)

Ao afiar o dente de corte, há quatro medidas a considerar.

- 1 Ângulo de afiação (19)
- 2 Ângulo de ataque (20)
- 3 Posição da lima (21)
- 4 Diâmetro da lima redonda

É muito difícil afiar correctamente uma corrente de serra sem os instrumentos auxiliares apropriados. Por isso aconselhamos que use o nosso calibrador de lima. Desse modo assegura-se que a corrente da serra é afiada de modo a reduzir ao máximo a ocorrência de retrocessos e a maximizar a capacidade de corte. (22)

Para informação sobre os dados específicos para afiação da corrente da sua motosserra, veja as instruções na secção Especificações técnicas.



ATENÇÃO! A não observância das instruções de afiação aumenta consideravelmente a tendência da motosserra a retrocessos.

Afiação do dente de corte



Para afiar os dentes de corte requer-se uma lima redonda e um calibrador de lima. Para informação sobre o diâmetro da lima redonda e o calibrador de lima recomendados para a corrente da sua motosserra, veja as instruções na secção Especificações técnicas.

- Verifique se a corrente está esticada. Uma corrente insuficientemente esticada, torna-se instável no sentido transversal, o que dificulta a sua afiação correcta.
- Lime sempre começando do interior para o exterior do dente de corte. Pressione menos a lima no movimento de retorno. Lime todos os dentes de um lado primeiro e depois vire a moto-serra e lima os dentes do outro lado.
- Lime de modo que todos os dentes tenham o mesmo tamanho. Quando restarem apenas 4 mm (5/32") do comprimento dos dentes de corte, considera-se a corrente desgastada e deve-se a deitar fora. (23)

Generalidades sobre o ajuste da abertura de corte.

- Quando se afia o dente de corte, a abertura de corte (=profundidade de corte) diminui. Para manter a capacidade máxima de corte, o salto da abertura de corte tem que ser reduzido para o nível recomendado. Para informação sobre a dimensão da abertura de corte da corrente da sua motosserra, veja as instruções na secção Especificações técnicas. (24)



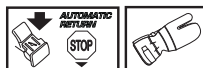
ATENÇÃO! Uma abertura de corte demasiado grande aumenta a tendência da corrente da serra a provocar retrocessos!

Ajuste da abertura de corte



- Para se poder ajustar a abertura de corte, os dentes têm que estar recém-afiados. Recomendamos que a abertura de corte seja ajustada a cada três afiações da corrente da serra. NOTA! Esta recomendação pressupõe que o comprimento dos dentes de corte não foi limado demais.
- Para ajustar a abertura de corte é preciso uma lima plana e uma matriz de abertura de corte. Para obter a dimensão correcta de abertura de corte e o ângulo correcto do salto da abertura de corte, recomendamos que use o nosso calibrador de lima para ajuste da abertura de corte.
- Coloque o calibrador de lima sobre a corrente da serra. As instruções de utilização do calibrador de lima encontram-se na embalagem respectiva. Use a lima plana para eliminar a parte excedente do salto da abertura de corte. A abertura de corte será correcta quando não se sentir resistência ao passar a lima sobre o calibrador. (25)

Esticamento da corrente



ATENÇÃO! Uma corrente de serra insuficientemente esticada pode provocar um salto da corrente, o que pode acarretar em sérias lesões, até mesmo mortais.

Quanto mais usar uma corrente de serra, mais comprida ela fica. É importante que ajuste o equipamento de corte após essa modificação.

A tensão da corrente deverá ser controlada a cada abastecimento de combustível. NOTA! Uma corrente nova requer um período de rodagem durante o qual se deve controlar a tensão da corrente mais frequentemente.

Em geral é recomendável esticar-se a corrente ao máximo possível, mas não deve estar tão tensa que não se possa girar a corrente facilmente à mão. (26)

INSTRUÇÕES GERAIS DE SEGURANÇA

435 II, 440 II



- Solte a porca da lâmina que prende a cobertura do acoplamento/travão da corrente. Use a chave universal. Depois aperte a porca da lâmina com força manual, o mais fortemente possível. (27)
- Levante a ponta da lâmina e estique a corrente, aparafusando o parafuso de tensão da corrente com a ajuda da chave universal. Estique a corrente até que esta deixe de estar frouxa na parte inferior da lâmina. (28)
- Usando a chave universal, aperte a porca da lâmina ao mesmo tempo que segura na ponta da lâmina. Verifique se a corrente pode ser facilmente girada com a mão e se não está a pender na parte inferior da lâmina. (29)

O parafuso esticador da corrente pode variar segundo o modelo de motosserra. Para ver onde ele se encontra no seu modelo, veja na secção Como se chama?

435e II, 440e II



- Abra o manipulador dobrando-o para fora. (30)
- Rode o manipulador para a esquerda para libertar a tampa da lâmina. (31)
- Ajuste a tensão da corrente rodando a roda para baixo (+) para aumentar a tensão e para cima (-) para diminuir a tensão. (32)
- Aperte a embraiagem da lâmina rodando o manipulador para a direita. (33)
- Dobre o manipulador para dentro para fixar a tensão. (34)

Lubrificação do equipamento de corte



ATENÇÃO! Lubrificação insuficiente do equipamento de corte pode ocasionar um rompimento da corrente que por sua vez pode causar sérias lesões, até mesmo mortais.

Óleo de corrente

O óleo de corrente deve aderir bem à mesma e possuir boas características de fluidez, independentemente de um verão muito quente ou inverno de frio intenso.

Como fabricantes de moto-serras, desenvolvemos um óleo de corrente otimizado que, além da sua base vegetal, é biodegradável. Recomendamos o uso do nosso óleo para um máximo de vida útil, beneficiando a corrente e o meio ambiente. Caso o nosso óleo de corrente não esteja disponível, recomendamos óleo de corrente comum.

Nunca empregue óleo usado! É perigoso para tanto para si como para o meio ambiente.

IMPORTANTE! Caso seja usado óleo vegetal para corrente de serra, desmonte e limpe o sulco da lâmina e a corrente antes de armazenamento por tempo prolongado. Caso contrário o óleo de corrente pode oxidar-se fazendo com que a corrente fique rígida e o rolete da ponta da lâmina emperre.

Abastecimento do óleo de corrente

- Todos os nossos modelos de moto-serra possuem lubrificação de corrente automática. Alguns deles podem até ser fornecidos com fluxo de óleo regulável.

- O depósito do óleo da corrente e o depósito de combustível estão dimensionados de modo ao combustível acabar antes do óleo de corrente.

No entanto, esta função de segurança só é eficaz sob a condição de ser usado o óleo para corrente correcto (um óleo demasiado fino e fluido termina antes do combustível), de as nossas recomendações respeitantes à afinação do carburador serem seguidas (uma afinação demasiado 'pobre' faz com que o combustível dure mais do que o óleo da corrente) e de as nossas recomendações respeitantes ao equipamento de corte serem seguidas (uma lâmina demasiado comprida requer mais óleo de corrente).

Controlo da lubrificação da corrente

- Verifique a lubrificação da corrente a cada abastecimento de combustível.

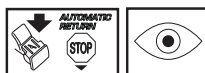
Com a ponta da lâmina a uma distância de aprox. 20 cm (8 pol.), aponte para um objecto sólido e claro. Após 1 minuto de funcionamento com 3/4 de aceleração, deverá aparecer uma nítida faixa de óleo sobre o objecto claro.

Se a lubrificação da corrente não funciona:

- Verifique se o canal do óleo de corrente na lâmina está aberto. Limpe-o se for necessário. (35)
- Verifique se a ranhura da lâmina está limpa. Limpe se necessário. (36)
- Verifique se o rolete da lâmina gira facilmente e se o orifício de lubrificação do rolete está aberto. Limpe e lubrifique se necessário. (37)

Se a lubrificação da corrente não funcionar após a verificação e execução dos pontos acima, procure a sua oficina autorizada.

Pinhão da corrente



O tambor de fricção é equipado com um dos seguintes pinhões:

- A Spur (pinhão fixo ao tambor por soldadura)
- B Rim-pinhão (substituível) (38)

INSTRUÇÕES GERAIS DE SEGURANÇA

Verifique regularmente o nível de desgaste do pinhão da corrente. Substitua-o caso apresente desgaste anormal. O pinhão deverá ser trocado a cada substituição de corrente.

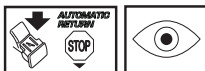
Lubrificação do rolamento de agulhas



Ambos os tipos de pinhão da corrente têm rolamento de agulhas no eixo de saída, o qual deve ser lubrificado regularmente (1 vez por semana). **NOTA!** Use massa de rolamentos de boa qualidade ou óleo do motor.

Veja instruções na secção Manutenção, Lubrificação do rolamento de agulhas.

Controlo de desgaste no equipamento de corte



Controle diariamente a corrente, verificando se:

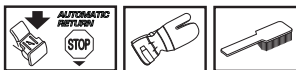
- Há rachaduras visíveis em rebites e elos.
- A corrente está rija.
- Os rebites e elos apresentam desgaste anormal.

Se a corrente da serra apresentar algum dos sintomas nos pontos acima, deite-a fora.

Recomendamos o uso de uma corrente nova para poder avaliar o desgaste da sua corrente.

Lime de modo que todos os dentes tenham o mesmo tamanho. Quando restarem apenas 4 mm (5/32") do comprimento dos dentes de corte, considera-se a corrente desgastada e deve-se a deitar fora. **(23)**

Lâmina



Verifique regularmente:

- Se ocorreu a formação de rebarbas nos bordos externos da lâmina. Remova com a lima se necessário.
- Se a ranhura da lâmina está com desgaste anormal. Substitua a lâmina quando necessário.
- Se a extremidade da lâmina apresenta desgaste anormal ou irregular. Se ocorrer a formação de uma depressão onde o raio da extremidade termina, na parte inferior da lâmina, significa que você operou com a corrente insuficientemente esticada.
- Para maximizar a vida útil da serra, a lâmina deve ser voltada regularmente.



ATENÇÃO! A maioria dos acidentes com moto-serras ocorrem quando a corrente da serra atinge o utilizador.

Use equipamento de protecção pessoal. Ver as instruções na secção "Equipamento de protecção pessoal".

Evite qualquer forma de uso para a qual não se sinta suficientemente qualificado. Ver as instruções nas secções Equipamento de protecção pessoal, Medidas de prevenção contra retrocessos, Equipamento de corte e Instruções gerais de trabalho.

Evite situações em que exista o risco de retrocesso. Ver as instruções na secção Equipamento de segurança da máquina.

Use o equipamento de corte recomendado e verifique o seu estado. Ver as instruções na secção Instruções gerais de trabalho.

Controle o funcionamento dos detalhes de segurança da moto-serra. Ver as instruções nas secções Instruções gerais de trabalho e Instruções gerais de segurança.

MONTAGEM

Montagem da lâmina e corrente



ATENÇÃO! Qualquer manuseio da corrente requer o uso de luvas.

435 II, 440 II

- **Verifique se o travão de corrente não está activado, movendo o protector anti-retrocesso do travão de corrente no sentido do punho dianteiro. (39)**
- Desatarraxe e retire a porca da lâmina e remova a cobertura do acoplamento (travão de corrente). Retire o protector para transporte (A). **(40)**
- Monte a lâmina sobre o parafuso da lâmina. Coloque a lâmina na posição mais recuada. Ponha a corrente sobre o pinhão e na ranhura da lâmina. Comece pela parte superior da lâmina. **(41)**
- Verifique se o fio dos elos de corte está voltado para a frente, na parte superior da lâmina.
- Monte a cobertura da embraiagem e lembre-se de ajustar o pino do esticador da corrente no encaixe da lâmina. Verifique se os elos de condução da corrente passam pelo pinhão da corrente e se a corrente está em posição correcta na ranhura da lâmina. Aperte a porca da lâmina com os dedos.
- Estique a corrente, apertando com o auxílio da chave universal o parafuso esticador da corrente, no sentido horário. Estique a corrente até que esta deixe de estar frouxa na parte inferior da lâmina. **(42)**
- A corrente está correctamente esticada quando não mais pender na parte inferior da lâmina e ainda possa ser girada facilmente com a mão. Aperte bem a porca da lâmina com a chave universal, mantendo simultaneamente a extremidade da lâmina para cima. **(43)**
- Numa corrente nova, a tensão deverá ser controlada constantemente até concluir a rodagem. Verifique a tensão da corrente regularmente. Uma corrente correcta significa boa capacidade de corte e longa vida útil. **(44)**

435e II, 440e II

- **Verifique se o travão de corrente não está activado, movendo o protector anti-retrocesso do travão de corrente no sentido do punho dianteiro. (45)**
- Desapertar a roda esticadora da corrente e desmontar a cobertura da embraiagem (travão da corrente) Desmonte a protecção de transporte. (A) **(46)**
- Monte a lâmina nos seus parafusos. Coloque a lâmina na sua posição mais atrás. Ponha a corrente

sobre o pinhão e a ranhura da lâmina. Comece pela parte superior da lâmina. **(41)**

- Verifique se o fio dos elos de corte está voltado para a frente, na parte superior da lâmina.
- Monte a cobertura da embraiagem e lembre-se de ajustar o pino do esticador da corrente no encaixe da lâmina. Verifique se os elos de condução da corrente passam pelo pinhão da corrente e se a corrente está em posição correcta na ranhura da lâmina.
- Estique a corrente rodando a roda para baixo (+). A corrente deve ser esticada até não pender na parte inferior da lâmina. **(32)**
- A corrente está correctamente esticada quando não pende na parte inferior da lâmina, mas pode ainda ser rodada facilmente à mão. Segure a ponta da lâmina e aperte a embraiagem da lâmina rodando o manípulo para a direita. **(33)**
- Numa corrente nova, a tensão deverá ser controlada constantemente até concluir a rodagem. Verifique a tensão da corrente regularmente. Uma corrente correcta significa boa capacidade de corte e longa vida útil. **(44)**

Montagem do apoio para casca

Para montar um apoio para casca, contacte uma oficina autorizada. **(47)**

MANEJO DE COMBUSTÍVEL

Combustível

Observe! A máquina está equipada com um motor de dois tempos e deve sempre funcionar com uma mistura de gasolina e óleo para motores de dois tempos. Para garantir a mistura correcta, é importante que se meça cuidadosamente a quantidade de óleo a misturar. Ao misturar pequenas quantidades de combustível, até mesmo pequenos erros na quantidade de óleo podem afectar fortemente a proporção da mistura.



ATENÇÃO! Tenha sempre boa ventilação ao manusear combustível.

Gasolina



- Use gasolina de qualidade, com ou sem chumbo.
- O índice de octano mínimo recomendado é 90 (RON) No caso do motor funcionar com gasolina com um índice de octano inferior a 90, o motor pode "grilar". Isso pode provocar um aumento de temperatura no motor e uma maior sobrecarga nos rolamentos, que podem causar graves avarias no motor.
- Ao trabalhar com rotações altas continuamente (p. ex. na desrama), recomenda-se um índice de octano mais elevado.

Combustível ecológico

HUSQVARNA recomenda o uso de gasolina adequada ao meio ambiente (também conhecida como "combustível alquilato"), ou gasolina Aspen para motores de dois tempos ou gasolina ecológica para motores a quatro tempos misturada com óleo para motores de dois tempos de acordo com o seguinte. Observar que pode ser necessário reafinar o carburador ao mudar de tipo de combustível (ver instruções na secção Carburador).

Álcool combustível

A HUSQVARNA recomenda a utilização de combustível disponível comercialmente com um conteúdo de etanol máximo de 10%.

Rodagem

Durante as primeiras 10 horas de funcionamento, deve-se evitar regimes de rotação demasiado altos.

Óleo de dois tempos

- Para obter o melhor resultado e rendimento, use óleo para motores a dois tempos HUSQVARNA, produzido especialmente para os nossos motores a dois tempos arrefecidos a ar.
- Não use nunca óleo para motores fora de borda a dois tempos e arrefecidos a água, também chamado 'óleo para foras de borda' (designado TCW).
- Nunca use óleo para motores a quatro tempos.

- Um óleo de baixa qualidade ou uma mistura de óleo/combustível demasiado rica podem aventurar o funcionamento do catalizador e reduzir-lhe a vida útil.

Proporção de mistura

1:50 (2%) com óleo para motores a dois tempos HUSQVARNA.

1:33 (3%) com outros óleos para motores de dois tempos arrefecidos a ar, com homologação JASO FB/ISO EGB.

Gasolina, litros	Óleo de dois tempos, litros	
	2% (1:50)	3% (1:33)
5	0,10	0,15
10	0,20	0,30
15	0,30	0,45
20	0,40	0,60

Mistura

- Misture sempre gasolina e óleo num recipiente limpo e aprovado para gasolina.
- Comece sempre por juntar metade da gasolina a ser misturada. Junte depois todo o óleo. Agite bem a mistura. Por fim, junte o restante da gasolina.
- Agite a mistura cuidadosamente antes de a despejar no depósito de combustível da máquina.
- Não misture combustível além do necessário para se consumir durante um mês, no máximo.
- Se a máquina não for usada por um longo período, esvazie o depósito de combustível e limpe-o.

Óleo de corrente

- Para lubrificação, recomenda-se um óleo especial (óleo para lubrificação de correntes de serra) com boa capacidade de aderência. (48)
- Nunca aplique óleo usado. Isto acarreta danos à bomba de óleo, lâmina e corrente.
- É importante o uso do tipo de óleo correcto em relação à temperatura do ar (viscosidade adequada).
- Temperaturas abaixo de 0°C conferem a determinados óleos uma baixa fluidez. Isto acarreta sobrecarga na bomba de óleo, danificando suas peças.
- Consulte a sua oficina autorizada ao escolher óleo de lubrificação de corrente.

Abastecimento



ATENÇÃO! As medidas de precaução abaixo diminuem os riscos de incêndio:

Não fume nem ponha objectos quentes na proximidade de combustível.

Para o motor e deixe arrefecer alguns minutos antes de abastecer.

Abra a tampa do depósito devagar, ao abastecer, para dar saída lenta aos gases se houver um excesso de pressão.

Aperte bem a tampa do depósito após abastecer.

Afaste sempre a máquina do local e da fonte de abastecimento, antes de arrancar.

Limpe bem à volta da tampa do depósito. Limpe com regularidade os depósitos de combustível e óleo de corrente. O filtro de combustível deve trocar-se no mínimo uma vez por ano. Sujidades nos depósitos acarretam distúrbios no funcionamento. Verifique se o combustível está bem misturado, agitando o recipiente antes de encher o depósito. O volume dos depósitos de óleo de corrente e de combustível mantém uma proporção entre si. Por essa razão, abasteça sempre o depósito de combustível e de óleo de corrente ao mesmo tempo. (48)



ATENÇÃO! O combustível e os seus vapores são altamente inflamáveis. Cuidado ao manusear combustível e óleo de corrente. Pense nos riscos de incêndio, explosão e aspiração.

Remoção da tampa do combustível e tampa do depósito do óleo de corrente

- Prima sobre a zona texturada da alavanca e levante para uma posição vertical. (49)
- Desaperte a tampa fazendo-a rodar no sentido anti-horário. (50)
- Retire a tampa. (51)

Substituição da tampa do combustível e da tampa do depósito de óleo de corrente

- Coloque a tampa com a sua alavanca numa posição vertical. (52)
- Aperte a tampa de modo seguro rodando no sentido horário. (53)
- Rebata a alavanca para baixo. (54)

IMPORTANTE! Substitua sempre uma tampa danificada.

Segurança no manejo de combustível

- Nunca abasteça uma máquina com o motor em funcionamento.
- Zele por uma boa ventilação ao abastecer e misturar combustível (gasolina e óleo de dois tempos).
- Afaste a máquina pelo menos 3 metros do lugar onde abasteceu, antes de arrancar.
- Nunca arranque com a máquina:
 - 1 Se derramou combustível ou óleo de corrente sobre a máquina. Remova todo o líquido derramado e deixe que os restos de gasolina se evaporem.
 - 2 Se derramou combustível sobre si próprio ou na sua roupa, troque de roupa. Lave as partes do corpo que estiveram em contacto com o combustível. Lave com água e sabonete.
 - 3 Se a máquina tiver fuga de combustível. Controle regularmente se há fugas na tampa do depósito e nos tubos de combustível.



ATENÇÃO! Não use nunca uma máquina com danos visíveis no cachimbo de protecção da vela de ignição e no cabo de ignição. Perigo de formação de faíscas que podem causar incêndio.

Transporte e armazenagem

- Guarde a moto-serra e o combustível de modo que uma eventual fuga ou vapores não corram o risco de entrar em contacto com faíscas ou chama viva. Por exemplo, máquinas e motores eléctricos, contactos/ interruptores eléctricos, caldeiras de aquecimento ou similares.
- Ao armazenar combustível deverá usar-se um recipiente especialmente destinado e aprovado para esse fim.
- Durante longos períodos de armazenagem ou transporte da moto-serra, deve-se esvaziar os depósitos de combustível e óleo de corrente. Consulte o posto de abastecimento de combustível mais próximo sobre o destino a dar ao excedente de combustível e óleo de corrente.
- A protecção de transporte do equipamento de corte deve sempre ser montada durante o transporte ou armazenagem da máquina, de modo a evitar contacto involuntário com a corrente afiada. A corrente, mesmo estando parada, pode causar ferimentos graves ao utilizador ou outras pessoas que entrem em contacto com a mesma.
- Remova o cachimbo da vela. Active o travão da corrente.
- Trave a máquina durante o transporte.

Armazenamento por tempo prolongado

Em local bem ventilado, esvazie os depósitos do óleo e do combustível. Conserve o combustível em reservatórios aprovados e em lugar seguro. Monte a protecção da lâmina. Limpe a máquina. Consulte as instruções na secção 'Programa de manutenção'.

Certifique-se de que a máquina foi cuidadosamente limpa e submetida a uma revisão completa antes de ser armazenada por tempo prolongado.

ARRANQUE E PARAGEM

Arranque e paragem



ATENÇÃO! Antes de arrancar, observe o seguinte:

O travão da corrente deve estar aplicado quando se dá o arranque à motosserra, para evitar o perigo de contacto com a corrente em rotação durante o arranque.

Não arranque a moto-serra sem que a lâmina, a corrente da serra e todas as coberturas estejam montadas. A embraiagem pode soltar-se e causar acidentes pessoais.

Coloque a máquina sobre uma superfície firme. Certifique-se de que está numa posição estável e que a corrente não entra em contacto com nenhum objecto.

Certifique-se de que nenhuma pessoa estranha se encontra na zona de trabalho.

Nunca enrole a corda de arranque na mão.

Arranque

O travão da corrente deve estar activado no arranque da moto-serra. Active o travão levando a protecção contra o retrocesso para a frente. (55)

Motor frio

Posição de arranque, 1: Coloque o interruptor lig./desl. na posição de estrangular puxando o controlo vermelho para cima/para fora. (56)

Bomba de combustível (2): Carregue repetidas vezes na bolha da bomba de combustível até o combustível encher a bolha (pelo menos 6 vezes). Não é necessário encher totalmente a bolha de combustível. (56)

Segure no punho dianteiro com a mão esquerda. Mantenha a moto-serra no chão colocando o pé direito através do punho traseiro. (57)

Puxe o punho de arranque, 3: Puxe o punho de arranque com a mão direita e puxe a corda de arranque lentamente até começar a sentir resistência (quando os prendedores do arranque engatam). De seguida, puxe firme e rapidamente até que o motor dispare.

Empurre o estrangulador vermelho, 4: Logo que o motor dispare, o que pode ser detectado ouvindo um som "puff", empurre o estrangulador vermelho para baixo.

Puxe o punho de arranque (5): Continue a puxar vigorosamente a corda de arranque até o motor arrancar.

Motor quente

Posição de arranque, 1: A configuração correcta estrangulador/aceleração para um arranque a quente

obtém-se movendo inicialmente o controlo do estrangulador ao puxar o controlo vermelho para fora - para cima. (56)

Bomba de combustível (2): Carregue repetidas vezes na bolha da bomba de combustível até o combustível encher a bolha (pelo menos 6 vezes). Não é necessário encher totalmente a bolha de combustível. (56)

Empurre o estrangulador vermelho, 3: Isto inactiva o estrangulador, que não é necessário para o arranque a quente da serra. No entanto, o movimento do interruptor de arranque/paragem terá engrenado uma marcha em vazio elevada, tornando o arranque a quente mais fácil.

Puxe o punho de arranque, 4: Segure no punho dianteiro com a mão esquerda. Mantenha a moto-serra no chão colocando o pé direito através do punho traseiro. (57)

Puxe o punho de arranque com a mão direita e puxe a corda de arranque lentamente até começar a sentir resistência (quando os prendedores do arranque engatam). De seguida, puxe firme e rapidamente até que o motor dispare.

Uma vez que o travão da corrente continua activado, a rotação do motor deve ser reduzida logo que possível para a marcha em vazio, o que se consegue desligando o bloqueio do acelerador. Este é desactivado acelerando ligeiramente com o acelerador. Deste modo pode evitar desgaste desnecessário da embraiagem, do tambor da embraiagem e das cintas de travagem. Deixe a máquina funcionar ao ralenti durante alguns segundos antes de acelerar ao máximo.

Na extremidade traseira da serra (A) há uma advertência simplificada para o arranque, com imagens descrevendo cada passo. (57)

NOTA! Não puxe inteiramente a corda de arranque nem solte a pega do arranque se estiver em posição totalmente distendida. Esta prática pode danificar a máquina.

Observe! Rearme o travão da corrente levando a protecção contra o retrocesso em direcção ao arco dos punhos. A moto-serra está agora pronta a ser usada.



ATENÇÃO! A inspiração prolongada dos gases de escape do motor, de névoa do óleo da corrente ou de serrim pode ser um risco para a saúde.

- Nunca arranque a moto-serra sem que a lâmina, a corrente e todas as coberturas estejam devidamente montadas. Ver as instruções na secção Montagem. Quando a motosserra não tem a lâmina e a corrente montadas, a embraiagem pode soltar-se e causar ferimentos graves.
- O travão da corrente deverá estar aplicado quando se dá o arranque à motosserra. Ver instruções na secção Arranque e paragem. Nunca dê o arranque à motosserra segurando a corda do arranque e deixando cair a máquina. Esse método é muito

ARRANQUE E PARAGEM

perigoso, pois pode-se facilmente perder o controlo sobre a motosserra. (55)

- Nunca ponha a máquina a trabalhar dentro de casa. Conscientize-se do perigo que representa inspirar os gases de escape do motor.
- Observe a vizinhança e certifique-se de que não há risco de pessoas ou animais entrarem em contacto com o equipamento de corte.
- Segure sempre a motosserra com as duas mãos. Mantenha a mão direita no punho traseiro e a mão esquerda no punho dianteiro. **Todos os utilizadores, quer os que usam a mão direita quer os canhotos, deverão usar esta forma de agarrar.** Agarre com firmeza, com os polegares e os dedos em volta dos punhos da motosserra.

Paragem

O motor arranca carregando no comando de arranque/paragem. (59)

NOTA! O interruptor de Arranque/Paragem retorna automaticamente à posição de operação. Por isso, para impedir arranque acidental, deve-se sempre remover o cachimbo da vela de ignição quando a máquina não está sob vigilância. (60)

Sempre, antes de usar: (61)

- 1 Verifique se o travão da corrente funciona devidamente e se está em bom estado.
- 2 Verifique se a protecção traseira da mão direita está em bom estado.
- 3 Verifique se o bloqueio do acelerador funciona devidamente e se está em bom estado.
- 4 Verifique se o contacto de paragem funciona e está em bom estado.
- 5 Verifique se todos os punhos estão isentos de óleo.
- 6 Verifique se o sistema anti-vibração funciona devidamente e se está em bom estado.
- 7 Verifique se o silenciador está bem preso e em bom estado.
- 8 Verifique se todos os componentes da moto-serra estão apertados e se não estão danificados ou em falta.
- 9 Verifique se a protecção da corrente está no seu lugar e em bom estado.
- 10 Verifique o esticamento da corrente.

Instruções gerais de trabalho

IMPORTANTE!

Esta secção aborda regras básicas de segurança para o trabalho com a moto-serra. A informação fornecida nunca poderá substituir os conhecimentos adquiridos de forma teórica e prática por um profissional. Se você se sentir inseguro sobre a melhor maneira de continuar a trabalhar, pergunte a um especialista. Dirija-se ao seu revendedor de moto-serras, à sua oficina autorizada ou a um utilizador de moto-serras experiente. Evite qualquer forma de uso para a qual não se sinta suficientemente qualificado!

Antes de usar a moto-serra, você deve entender o que significa retrocesso e como o pode evitar. Ver as instruções na secção Medidas de prevenção contra retrocessos.

Antes de usar a moto-serra, você deve compreender a diferença em serrar com a parte inferior da lâmina e com a superior, respectivamente. Ver instruções nas secções 'Medidas de prevenção contra retrocesso' e 'Equipamento de segurança da máquina'.

Use equipamento de protecção pessoal. Ver as instruções na secção "Equipamento de protecção pessoal".

Regras básicas de segurança

- 1 Observe a vizinhança:
- Para assegurar-se de que pessoas, animais ou outro factor não possam interferir no seu controlo sobre a máquina.
 - Para evitar o risco dos acima citados entrarem em contacto com a corrente da serra ou serem atingidos por uma árvore em queda e se ferirem.

NOTA! Siga os pontos acima mas nunca use uma moto-serra sem ter a possibilidade de pedir ajuda em caso de acidente.

- 2 Evite o uso em condições meteorológicas desfavoráveis. Por exemplo, em denso nevoeiro, chuva e vento fortes, frio intenso, etc. Trabalhar com mau tempo é cansativo e pode ocasionar situações perigosas, por exemplo, solo escorregadio, influência na direcção de abate das árvores, etc.
- 3 Seja extremamente cauteloso ao serrar pequenos galhos e evite serrar em arbustos (= muitos pequenos ramos ao mesmo tempo). Pequenos galhos podem, após o corte, prender-se à corrente da serra, ser projectados contra si e causar sérios acidentes pessoais.
- 4 Certifique-se de que pode andar e estar de pé com segurança. Tenha cuidado com eventuais obstáculos em caso de um deslocamento inesperado (raízes, pedras, galhos, buracos, valas, etc.). Use de extrema precaução ao trabalhar em terreno inclinado.
- 5 Tenha a máxima cautela ao serrar árvores que estejam entesadas. Uma árvore entesada pode, tanto antes como após a serração, retornar à sua posição normal. Uma postura incorrecta da sua parte ou do corte da serra poderão levar a árvore a atingi-lo a si ou à máquina, fazendo com que perca o controlo. Ambas as situações podem causar sérias lesões pessoais.



- 6 Ao deslocar-se, a corrente deverá ser travada com o travão de corrente e o motor desligado. Leve a moto-serra com a lâmina e corrente voltadas para trás. Em deslocamentos mais longos bem como ao transportar, use o protector de lâmina.
- 7 Quando deixar a motosserra no solo, trave a corrente da serra com o travão da corrente e mantenha a máquina sob vigilância. Para 'estacionamento' mais prolongado, deve-se desligar o motor.



ATENÇÃO! Por vezes ficam aparas presas na cobertura da embraiagem, bloqueando a corrente. Pare sempre o motor para limpeza.

Regras básicas

- 1 Compreendendo o que significa retrocesso e como este ocorre, você poderá reduzir ou eliminar o efeito de surpresa. O inesperado aumenta o risco de acidente. A maioria dos retrocessos é pequena mas alguns deles são extremamente rápidos e muito violentos.
- 2 Empunhe sempre a moto-serra numa posição firme, com a mão direita no punho traseiro e a esquerda no punho dianteiro. Polegares e dedos devem envolver os punhos. Todos os utilizadores, independentemente de serem direitos ou canhotos deverão usar esta posição. Com esta posição você poderá reduzir mais

facilmente o efeito de retrocesso e simultaneamente manter o controlo sobre a moto-serra. **Não solte os punhos!**

- 3 A maioria dos acidentes de retrocesso ocorrem na poda de ramos. Assuma uma postura firme e verifique se nenhum objecto no solo pode fazê-lo tropeçar ou perder o equilíbrio.

Por decuido, o sector de risco de retrocesso da lâmina pode atingir um ramo, uma árvore próxima ou outro objecto, provocando um retrocesso.

Mantenha a peça de trabalho sob controlo. Se os pedaços que está a serrar forem pequenos e leves, podem prender-se na corrente da serra e ser atirados contra si. Mesmo que isso não seja necessariamente perigoso, você pode assustar-se e perder o controlo sobre a motosserra. Não serre nunca toras ou ramos empilhados sem primeiro os separar. Serre apenas uma tora ou um pedaço de cada vez. Remova os pedaços serrados para manter o local de trabalho seguro. (62)

- 4 **Nunca use a moto-serra acima da altura dos ombros e evite serrar com a ponta da lâmina. Nunca use a moto-serra segurando-a apenas com uma das mãos!** (63)

- 5 É necessário que esteja em equilíbrio estável para que possa dominar totalmente a moto-serra. Nunca use a moto-serra se estiver numa escada, numa árvore ou em local em que não esteja apoiado numa base firme e segura. (64)

- 6 Serre com a corrente em alta velocidade, isto é, com aceleração total.

- 7 Seja extremamente cuidadoso ao serrar com a parte superior da lâmina, isto é, ao serrar pela parte inferior do objecto a ser serrado. Isto é chamado de serrar com a corrente a empurrar. A corrente empurra a moto-serra de volta, contra o utilizador. Se a corrente da serra ficar entalada, a motosserra pode ser atirada para trás contra si. (65)

- 8 Se o utilizador não aparar o esforço da moto-serra, há um risco de que a moto-serra seja empurrada de tal modo para trás que o sector de risco de retrocesso da lâmina será o único contacto com a árvore, o que conduz a um retrocesso. (66)

Serrar com a parte inferior da lâmina, ou seja, serrar a partir do lado superior do objecto a ser serrado, e para baixo, chama-se serrar com a corrente a puxar. Então a moto-serra é puxada contra a árvore e o canto anterior do corpo da moto-serra forma um apoio natural contra o tronco. Serração com a corrente a puxar possibilita ao utilizador um melhor controlo sobre a moto-serra bem como sobre onde o sector de risco de retrocesso da lâmina está localizado. (67)

- 9 Siga as instruções de limagem e manutenção da lâmina e corrente. Ao trocar de lâmina e corrente, só é permitido o uso das nossas combinações recomendadas. Ver as instruções nas secções Equipamento de corte e Especificações técnicas.

Técnica básica de serração



ATENÇÃO! Não use nunca uma motosserra empunhando-a com uma mão apenas. É impossível controlar uma motosserra com segurança com apenas uma mão. Agarre sempre a motosserra firmemente, com as duas mãos nos punhos.

Noções gerais

- Mantenha sempre aceleração total em todos trabalhos de serração!
- Deixe o motor retornar à marcha em vazio após cada corte de serra (períodos longos de aceleração total sem sobrecarga para o motor, ou seja, sem a resistência que o motor experimenta na serração, causam sérios danos ao motor).
- Serrar de cima para baixo = Serrar com a corrente "a puxar".
- Serrar de baixo para cima = Serrar com a corrente "a empurrar".

Serrar com a corrente "a empurrar" representa um aumento do risco de retrocesso. Ver as instruções na secção Medidas de prevenção contra retrocessos.

Denominações

Traçagem = Denominação geral da serração de fora a fora da árvore.

Desrama = Serrar os galhos de uma árvore abatida.

Fendilhamento = Quando o objecto que você irá traçar, se parte antes de se completar o corte com a serra.

Antes de cada traçagem há cinco factores muito importantes a considerar:

- 1 O equipamento de corte não pode ficar entalado no corte de serra. (68)
- 2 O objecto a serrar não pode fender-se. (69)
- 3 A corrente da serra não pode tocar o solo ou outro objecto, durante ou após uma serração de fora a fora. (70)
- 4 Há risco de retrocesso? (4)
- 5 Pode o aspecto do terreno e das zonas vizinhas influir na sua estabilidade e segurança ao andar ou estar de pé?

Os motivos da corrente se prender ou do objecto a serrar se fender podem ser dois: O apoio que o objecto a serrar tem antes e depois da traçagem e a tensão sob a qual se encontra se o objecto a serrar.

Os factos indesejáveis acima mencionados podem, na maioria dos casos, evitar-se através da traçagem em duas etapas, pela parte superior e pela inferior. Trata-se de neutralizar a tendência do objecto a serrar em prender a corrente da serra ou em fender-se.

TÉCNICA DE TRABALHO

IMPORTANTE! Se a corrente se prender durante o corte: páre o motor! Não tente arrancar a moto-serra para fora do corte. Se o fizer pode ferir-se na corrente se a moto-serra se desprender repentinamente. Use uma alavanca para desprender a moto-serra.

A listagem a seguir é uma exposição teórica de como proceder nas situações mais comuns que podem ocorrer a um utilizador de moto-serras.

Desrama

Na desrama de galhos mais grossos, serão aplicados os mesmos princípios da traçagem.

Corte galhos difíceis por partes. (71)

Traçagem



ATENÇÃO! Não tente nunca serrar toras empilhadas ou juntas. Esse tipo de procedimento aumenta drasticamente o perigo de retrocesso e pode causar ferimentos graves e até mesmo mortais.

Caso estejam empilhadas, cada tora que quiser cortar deverá ser colocada num cavalete ou sobre travessas e ser cortada individualmente.

Remova os pedaços cortados do local de trabalho. Se os deixar no local de trabalho, aumenta o risco de retrocesso da máquina e também o risco de você se desequilibrar durante o trabalho. (72)

O tronco está deitado sobre o solo. Não há nenhum risco da corrente se prender ou de fendilhamento do objecto a serrar. O risco é, entretanto, grande de que a corrente toque o solo após a serração de fora a fora. (73)

Serre de cima para baixo através de todo o tronco. Tenha cuidado durante o final do corte para evitar que a corrente toque no solo. Mantenha aceleração total mas prepare-se para o que possa acontecer. (74)

Se possível (= pode-se girar o tronco?) deve o corte de serra terminar a 2/3 do diâmetro do tronco.

Gire o tronco de modo a poder completar o restante 1/3, serrando de cima para baixo. (75)

O tronco tem apoio numa extremidade. Grande risco de fendilhamento. (76)

Começa a serrar de baixo para cima (cerca de 1/3 do diâmetro do tronco).

Termine de cima para baixo de modo que os dois cortes se encontrem. (77)

O tronco está apoiado em ambas as extremidades. Grande risco da corrente se prender. (78)

Comece a serrar de cima para baixo (cerca de 1/3 do diâmetro do tronco).

Termine de baixo para cima de modo que os dois cortes se encontrem. (79)

Técnica de abate de árvores

IMPORTANTE! Muita experiência é exigida para abater uma árvore. Um utilizador de moto-serra inexperiente não deverá abater árvores. Evite qualquer forma de uso para a qual não se sinta suficientemente qualificado!

Distância de segurança

A distância de segurança entre a árvore a abater e o próximo local de trabalho deverá ser de 2 1/2 vezes o comprimento da árvore. Controle para que ninguém se encontre dentro desta "área de risco" antes ou durante o abate. (80)

Direcção de abate

O objectivo no abate é colocar a árvore de um modo tal que a desrama a seguir, bem como a traçagem do tronco possam realizar-se num terreno tão "simples" quanto possível. Deve-se poder andar e estar de pé com segurança.

Após decidir sobre a direcção de abate que desjada, você deverá fazer uma avaliação sobre a direcção natural de queda da árvore.

Os factores determinantes são:

- Inclinação
- Sinuosidade
- Direcção do vento
- Concentração de galhos
- Eventual peso da neve
- Obstáculos ao alcance da árvore: por exemplo outras árvores, cabos de alta tensão, caminhos e construções.
- Verifique se há sinais de danos ou podridão no tronco, o que aumenta a probabilidade da árvore se quebrar e começar a cair antes do previsto.

Após essa avaliação pode-se ser obrigado a deixar a árvore cair na sua direcção natural de queda, já que é impossível ou demasiado arriscado tentar colocá-la na direcção que se tinha planeado no início.

Um outro factor importante, que não influi na direcção de queda, mas na sua segurança pessoal é verificar se a árvore não tem galhos partidos ou "mortos" que se podem romper e ferir-lo durante o trabalho de abate.

O que se deve evitar principalmente é que a árvore abatida se prenda a outra. Retirar uma árvore abatida que se prendeu é muito perigoso e existe um risco muito elevado de acidente. Consulte as instruções na secção Libertar uma árvore que tombou mal. (81)

IMPORTANTE! Em situações de abate críticas, os protectores acústicos devem ser levantados assim que cessar a serração, afim de se poderem perceber os sons e sinais de perigo.

TÉCNICA DE TRABALHO

Desrama da parte inferior e caminho de fuga

Desrame o tronco até à altura dos ombros. O mais seguro é trabalhar de cima para baixo e ter o tronco entre si e a motosserra. **(82)**

Remova a vegetação do solo em volta da árvore e prepare-se para eventuais obstáculos (pedras, galhos, buracos, etc.) de modo que possa fugir facilmente quando a árvore começar a cair. O caminho de fuga deve estar situada a cerca de 135° diagonalmente para trás da direcção de abate planeada para a árvore. **(83)**

- 1 Zona de risco
- 2 Linha de retirada
- 3 Direcção de abate

Abate



ATENÇÃO! Desaconselhamos os utilizadores insuficientemente qualificados a abater uma árvore com comprimento de lâmina menor que o diâmetro do tronco!

O abate é executado com três cortes de serra. Primeiro faz-se o corte direccional que se compõe dum corte superior e dum corte inferior e depois finaliza-se o abate com o corte de abate. Posicionando-se correctamente estes cortes, pode-se determinar a direcção da queda com grande exactidão.

Corte direccional

Ao efectuar o corte direccional, começa-se com o corte superior. Aponte segundo a marca de direcção de abate (1) em direcção a um alvo mais adiante no terreno, aonde pretenda que a árvore caia (2). Posicione-se à direita da árvore, atrás da serra, e serre com a corrente da serra a puxar.

Depois, serre o corte inferior de modo que este termine exactamente onde termina o corte superior. **(84)**

A profundidade do corte direccional deve ser de 1/4 do diâmetro do tronco e o ângulo entre o corte superior e o inferior, no mínimo de 45°.

O encontro de ambos os cortes chama-se linha do corte direccional. Esta linha deverá situar-se em posição rigorosamente horizontal e ao mesmo tempo formar um ângulo recto (90°) com a direcção de queda escolhida. **(85)**

Corte de abate

O corte de abate é feito do outro lado da árvore e deve estar em posição rigorosamente horizontal. Ponha-se do lado esquerdo da árvore e serre com a corrente a puxar.

Localize o corte de abate a cerca de 3-5 cm (1,5-2 pol) sobre o plano horizontal do corte direccional. **(86)**

Coloque o apoio para casca (se estiver montado) atrás da linha de ruptura. Serre com aceleração total e deixe a corrente/lâmina penetrar devagar na árvore. Observe se a árvore se move no sentido contrário ao da direcção de

queda pretendida. Introduza uma cunha de abate ou barra extractora logo que a profundidade de corte o permita.

O corte de abate deverá terminar paralelamente à linha de corte direccional de modo que a distância entre ambos seja no mínimo de 1/10 do diâmetro do tronco. A parte não serrada no tronco é designada de linha de ruptura.

A linha de ruptura funciona como uma dobradiça que comanda a direcção da queda da árvore. **(87)**

Perde-se todo o controlo sobre a direcção de queda da árvore se a linha de ruptura for demasiado pequena ou muito serrada, ou se o corte direccional e o corte de abate estiverem incorrectamente posicionados. **(88)**

Quando o corte de abate e o corte direccional estiverem concluídos, a árvore deverá começar a cair por si própria ou com a ajuda da cunha de abate ou barra extractora. **(89)**

Recomendamos o uso de um comprimento de lâmina superior ao diâmetro do tronco na copa da árvore, de modo que o corte de abate e o corte direccional possam ser executados com o chamado 'corte simples'. Ver o capítulo Especificações técnicas com relação ao comprimento de lâmina adequado ao seu modelo de motosserra.

Há métodos para abate de árvores com os diâmetros do tronco maiores do que o comprimento da lâmina. Esses métodos acarretam o grande perigo de que o sector de risco de retrocesso da lâmina entre em contacto com algum objecto. **(4)**

Tratamento de um resultado de abate mal-sucedido

Remoção de uma "árvore presa no abate"

Retirar uma árvore abatida que se prendeu é muito perigoso e existe um risco muito elevado de acidente.

Não tente nunca cortar uma árvore caída sobre outra.

Nunca trabalhe dentro da zona de perigo de uma árvore presa noutra. **(90)**

O método mais seguro é usar um guincho.

- Montado num tractor
- Transportável

Serração em árvores ou galhos que se encontram entesados

Preparativos: Avalie em que direcção o entesamento ocorre e também onde está o seu ponto de ruptura (ou seja, o ponto onde se partiria se fosse ainda mais entesado). **(91)**

Decida qual o modo mais seguro de aliviar o entesamento e se você é capaz de o fazer. Em situações extremamente complicadas, o único método seguro é abster-se de usar a moto-serra e usar um guincho.

Aplica-se em geral:

Posicione-se de modo tal que não se arrisque a ser atingido pela árvore/galho quando se desfizer o entesamento. (92)

Faça um ou vários cortes no ponto de ruptura ou nas suas proximidades. Serre com profundidade suficiente e com tantos cortes quantos forem necessários para que o entesamento da árvore/galho se dissipe, e em proporções suficientes para que a árvore/galho "se rompam" no ponto de ruptura. (93)

Nunca serre de fora a fora um objecto que se encontra entesado!

Se for necessário serrar através da árvore/ramo, faça dois ou três golpes espaçados 3 cm, e com 3-5 cm de profundidade. (94)

Continue a serrar mais fundo até a tensão da árvore/ramo vergado desaparecer. (95)

Após a tensão ter sido eliminada, cortar a árvore/ramo pelo lado oposto.

Medidas de prevenção contra retrocessos



ATENÇÃO! Retrocessos podem ser extremamente rápidos, repentinos e violentos e podem arremessar a moto-serra, lâmina e corrente contra o utilizador. Se a corrente estiver em movimento quando ou se atingir o utilizador, poderão ocorrer lesões muito graves, até mesmo mortais. É necessário compreender o que provoca retrocessos e que é possível evitá-los através de cautela e técnicas de trabalho correctas.

Que e retrocesso?

Retrocesso é a denominação de uma reacção repentina, onde a moto-serra e a lâmina são expelidas de um objecto que entrou em contacto com o quadrante superior da extremidade da lâmina, o chamado sector de risco de retrocesso. (66)

O retrocesso desloca-se sempre na direcção do plano da lâmina. Mais comum é que a moto-serra e a lâmina sejam arremessadas para cima e para trás, contra o utilizador. Entretanto, ocorrem outras direcções de retrocesso, dependendo da posição da moto-serra no momento em que o sector de risco de retrocesso a lâmina entrou em contacto com um objecto. (7)

Retrocesso somente pode ocorrer quando o sector de risco de retrocesso da lâmina entrar em contacto com um objecto. (4)

Desrama



ATENÇÃO! A maioria dos acidentes por retrocesso ocorrem durante o desrame. Não use o sector de risco de retrocesso da lâmina. Tenha o máximo cuidado e evite que a ponta da lâmina entre em contacto com o tronco, outros ramos ou objectos. Tenha muito cuidado com ramos vergados e sob tensão. Eles podem desprender-se e rebater contra si, fazendo com que perca o controlo sobre a máquina e causando ferimentos.

Certifique-se de que pode andar e estar de pé com segurança! Trabalhe a partir do lado esquerdo do tronco. Trabalhe o mais próximo possível da moto-serra para um melhor controlo. Quando possível deixe o peso da serra apoiar-se sobre o tronco.

Desloque-se somente quando o tronco estiver entre si e a moto-serra.

Corte do tronco em toros

Ver as instruções na secção Técnica básica de serração.

Noções gerais

O utente só pode efectuar trabalhos de manutenção e assistência do tipo descrito nestas instruções. Intervenções maiores devem ser efectuadas por uma oficina autorizada.

Afinação do carburador

O seu produto Husqvarna foi construído e fabricado seguindo especificações que reduzem a emissão de gases prejudiciais.

Funcionamento

- Através do acelerador, o carburador comanda a rotação do motor. No carburador mistura-se ar/combustível. Esta mistura ar/combustível é ajustável. Para aproveitar a máxima potência da máquina, a regulação deverá estar correcta.
- O parafuso T regula a posição do acelerador na marcha em vazio. Rodando o parafuso T no sentido horário, aumenta a rotação da marcha em vazio e rodando no sentido anti-horário, diminui a rotação da marcha em vazio.

Regulação básica e rodagem

No banco de provas da fábrica faz-se uma regulação básica do carburador. A afinação final tem que ser efectuada por um profissional competente.

Rotação em vazio recomendada: Ver o capítulo Especificações técnicas.

Afinação da marcha em vazio T

A regulação da marcha em vazio faz-se com o parafuso com a marca T. Se for necessária uma regulação, aparafuse (no sentido horário) o parafuso da marcha em vazio T com o motor em funcionamento até que a corrente comece a girar. Depois abra (no sentido anti-horário), até que a corrente esteja parada. A regulação correcta da rotação da marcha em vazio é atingida quando o motor trabalhar uniformemente em todas as posições com boa folga para a rotação em que a corrente começa a girar.



ATENÇÃO! Se a rotação da marcha em vazio não puder ser ajustada de modo que a corrente fique parada, consulte o serviço de assistência técnica. Não use a moto-serra antes de correctamente regulada ou reparada.

Carburador correctamente ajustado

Um carburador correctamente ajustado significa que a máquina acelera sem hesitações e balbucia algo na aceleração máxima. A corrente não poderá girar na marcha em vazio. Uma regulação demasiado pobre do bico L pode resultar em dificuldades no arranque e má aceleração. Um bico H com regulação demasiado pobre dá à máquina menor potência = "menos força", má aceleração e/ou danos no motor.

Controlo, manutenção e assistência ao equipamento de segurança da moto-serra

Observe! Todas as reparações e assistência técnica à máquina requerem formação especializada. Isto aplica-se especialmente ao equipamento de segurança da máquina. Se a máquina não satisfizer os controlos abaixo relacionados, consulte a sua oficina especializada.

Travão de corrente com protector anti-retrocesso

Controlo do desgaste da cinta de travagem



Limpe o travão de corrente e o tambor de fricção, removendo serragem, resina e sujidades. Excesso de sujidades e desgaste prejudicam a função de travagem. (96)

Controle periodicamente se restam pelo menos 0,6 mm da espessura da cinta nas partes de maior desgaste.

Controlo da protecção anti-retrocesso



Verifique se a protecção anti-retrocesso está completa e sem defeitos aparentes, p. ex., rachaduras no material.

Mova a protecção anti-retrocesso para a frente e para trás, controlando assim se esta funciona a contento e também se está solidamente fixa à sua articulação na cobertura de acoplamento.

Controlo da função de accionamento por inércia



Segure a motosserra, com o motor desligado, sobre um toco ou outro objecto estável. Solte o punho dianteiro e deixe a motosserra cair com o próprio peso, girando sobre o punho traseiro, de encontro ao toco. (97)

Quando a ponta da lâmina encontrar o ceppo, o travão deverá entrar em funcionamento. (98)

Controlo da acção de travagem

Coloque a moto-serra numa base sólida e ponha-a a trabalhar. Mantenha a corrente afastada do solo ou outro objecto. Ver instruções no capítulo Arranque e paragem. (99)

Segure a moto-serra numa posição firme, com os polegares e dedos à volta do punho.

Acelere ao máximo e active o travão de corrente, virando o pulso esquerdo contra a protecção anti-retrocesso. Não solte o punho dianteiro. **A corrente deverá parar imediatamente.** (58)

Bloqueio do acelerador



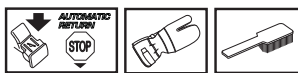
- Verifique se o acelerador está fixo na posição marcha em vazio quando o bloqueio de acelerador estiver na sua posição original. **(100)**
- Comprima o bloqueio do acelerador e verifique se este retorna à sua posição original quando libertado. **(101)**
- Verifique se o acelerador e o bloqueio do acelerador funcionam com facilidade e se os seus respectivos sistemas de mola de retorno funcionam. **(102)**
- Arranque com a moto-serra e acelere ao máximo. Solte o acelerador e verifique se a corrente pára e se continua imóvel. Se a corrente girar com o acelerador na posição marcha em vazio, o ajuste da marcha em vazio do carburador deverá ser controlado.

Retentor de corrente



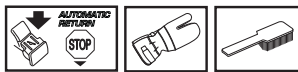
Verifique se o retentor de corrente está completo e se está fixo ao corpo da moto-serra. **(103)**

Protector da mão direita



Verifique se o protector da mão direita está completo e sem defeitos aparentes, p. ex., rachaduras no material. **(11)**

Sistema anti-vibração



Verifique periodicamente os elementos anti-vibração quanto a rachaduras no material e deformações. Verifique se os elementos anti-vibração estão fixos entre a parte do motor e a parte dos punhos. **(104)**

Contacto de paragem



Arranque o motor e verifique se este se desliga quando o contacto de paragem é levado à posição de paragem. **(59)**

NOTA! O interruptor de Arranque/Paragem retorna automaticamente à posição de operação. Por isso, para impedir o arranque accidental da máquina, deve-se sempre remover a protecção da vela de ignição durante todos os trabalhos de montagem, inspecção e/ou manutenção.

Silenciador



Nunca use uma máquina com silenciador defeituoso. Verifique regularmente se o silenciador está fixo à máquina. **(105)**

Alguns silenciadores estão equipados com uma rede abafa-chamas. Se a sua máquina está equipada com um desses silenciadores, a rede deve ser limpa uma vez por semana. Use de preferência uma escova de aço. Uma rede obstruída pode levar a sobreaquecimento do motor e causar graves danos no mesmo.

Observe! No caso de eventuais danos na rede, esta deverá ser trocada. Uma rede obstruída causa sobreaquecimento na máquina danificando o cilindro e o pistão. Nunca use a máquina se tiver um silenciador em mau estado. **Nunca use um silenciador sem abafa-chamas ou com abafa-chamas defeituoso.** **(13)**

O silenciador é configurado para abafar o nível de ruído e para conduzir os gases de escape para longe do utilizador. Os gases de escape são quentes e podem conter faíscas que podem causar incêndios, se os gases forem dirigidos contra um material seco e inflamável.

Dispositivo de arranque



ATENÇÃO! A mola de retorno está tensa na câmara do dispositivo de arranque e pode, em caso de manuseio inadvertido, saltar causando acidentes pessoais.

Ao mudar a mola de arranque ou a corda de arranque, deve-se ter muito cuidado. Use óculos de protecção e luvas de trabalho.

Substituição da corda de arranque



- Solte os parafusos que prendem o dispositivo de arranque contra o carter e levante o dispositivo para fora. **(106)**
- Puxe a corda para fora cerca de 30 cm e levante-a no encaixe, na periferia do carretel da corda. Alivie totalmente a mola de retorno, deixando que o carretel retroceda lentamente. **(107)**
- Desaperte o parafuso no centro do carretel e desmonte o accionador (A), a mola do accionador (B) e o carretel (C). Introduza e fixe a nova corda de arranque no carretel. Enrole a corda de arranque cerca de 3 voltas no carretel. Monte o carretel contra a mola de retorno (D), de maneira que a extremidade da mola de retorno engate no carretel. Depois monte a mola do accionador, o accionador e o parafuso central do carretel. Enfie a corda de arranque através do orifício na caixa do dispositivo de arranque e do punho de arranque. Dê depois um nó bem dado na corda de arranque. **(108)**

MANUTENÇÃO

Dar tensão à mola de retorno

- Levante a corda de arranque no encaixe do carretel e gire este cerca de 2 voltas no sentido horário. Observe! Verifique se o carretel pode ser girado ainda mais, um mínimo de 1/2 volta, quando a corda de arranque estiver totalmente puxada. (109)

Estique a corda com o punho de arranque. Tire o polegar e solte a corda. Ver a figura abaixo. (110)

Substituição das molas de retorno e do accionador



Mola de retorno (A)

- Levante o carretel. Ver instruções em Troca de corda de arranque gasta ou rompida. Não se esqueça de que a mola de retorno está sob tensão no compartimento do dispositivo de arranque.
- Desmontar a cassette com a mola de retorno do dispositivo de arranque.
- Lubrifique a mola de retorno com óleo fino. Montar a cassette com a mola de retorno no dispositivo de arranque. Monte o carretel e dar tensão à mola de retorno.

Mola do accionador (B)

- Desaperte o parafuso no centro do carretel e desmonte o accionador e a mola do accionador.
- Substitua a mola do accionador e monte o accionador em cima da mola. (111)

Montagem do dispositivo de arranque

- Monte o dispositivo de arranque puxando primeiro a corda para fora e colocando depois o dispositivo de arranque no lugar, contra o carter. Depois solte lentamente a corda de arranque de modo que os prendedores do arranque se prendam ao carretel.
- Monte e aperte os parafusos que prendem o dispositivo de arranque.

Filtro de ar



O filtro de ar deve ser limpo regularmente, removendo-se poeira e sujidades de modo a evitar:

- Distúrbios no carburador
- Problemas de arranque
- Diminuição de potência
- Desgaste inútil das peças do motor.
- Consumo de combustível fora do normal.

- O filtro de ar desmonta-se após levantar a cobertura do filtro de ar. Ao montar, verifique se o filtro de ar veda bem contra o seu suporte. Limpe o filtro sacudindo-o ou escovando-o. (112)

Uma limpeza mais completa obtém-se ao lavar o filtro com água e sabão.

Um filtro de ar usado por longo tempo nunca pode ficar completamente limpo. Por isso o filtro deve, a intervalos regulares, ser trocado por um novo. **Um filtro danificado deve sempre ser substituído.**

Uma moto-serra HUSQVARNA pode-se equipar com distintos tipos de filtro de ar, dependendo do ambiente de trabalho, condições de tempo, estações do ano, etc. Procure o seu concessionário para aconselhamento.

Vela de ignição



O funcionamento da vela de ignição é sensível a:

- Carburador incorrectamente regulado.
- Uma mistura incorrecta de óleo no combustível (óleo a mais ou de tipo errado).
- Filtro de ar sujo.

Esses factores causam a formação de crostas nos eléctrodos da vela de ignição e podem ocasionar problemas no funcionamento e dificuldades em arrançar.

Se a potência da máquina for baixa, se for difícil de arrançar ou a marcha em vazio for inconstante: verifique sempre a vela de ignição, antes de tomar outras providências. Se a vela estiver suja, limpe-a e verifique se a folga entre os eléctrodos é de 0,5 mm. A vela de ignição deve ser trocada após um funcionamento de cerca de um mês ou mais cedo se necessário. (113)

Observe! Use sempre o tipo de vela de ignição recomendado! Uma vela de ignição incorrecta pode danificar o pistão/cilindro. Verifique se a vela de ignição não produz interferências de rádio.

Lubrificação do rolamento de agulhas



O tambor da embraiagem tem um rolamento de agulhas no veio de saída. Este rolamento de agulhas deve ser lubrificado regularmente.

Para lubrificar, desmonta-se o cárter da embraiagem, desapertando as duas porcas da lâmina. Deite a serra de lado com o tambor da embraiagem para cima.

Lubrificar goteando óleo de motor junto ao centro do tambor da embraiagem e rodando simultaneamente o tambor. (114)

Sistema de arrefecimento



Para obter uma temperatura de funcionamento tão baixa quanto possível, a máquina está equipada com um sistema de arrefecimento.

O sistema de arrefecimento é composto por:

- 1 Entrada de ar no dispositivo de arranque.
- 2 Placa de condução do ar.
- 3 Asas de ventoinha na cambota.
- 4 Aletas de arrefecimento no cilindro.
- 5 Cobertura do cilindro (conduz o ar de arrefecimento ao cilindro). (115)

Limpe o sistema de arrefecimento com uma escova, uma vez por semana, ou com mais frequência, em condições de trabalho difíceis. O sistema de arrefecimento obstruído ou sujo conduz a um sobreaquecimento da máquina, danificando o cilindro e o pistão.

Purificação centrífuga "Air injection"

Purificação centrífuga significa que todo o ar para o carburador passa (é tomado) através do dispositivo de arranque. Sujidades e poeira são centrifugados para fora pela ventoinha. (116)

IMPORTANTE! Para conservar a função de purificação centrífuga, é necessário prestar assistência e manutenção contínuas. Limpe a entrada de ar do dispositivo de arranque, asas de ventoinha da cambota, compartimento em torno da cambota, tubo de admissão e compartimento do carburador.

Uso durante o inverno

Quando a máquina é usada a baixas temperaturas ou em condições com neve, podem ocorrer perturbações de funcionamento causadas por:

- Temperatura do motor demasiado baixa.
- Formação de gelo no filtro de ar e congelamento do carburador.

Por essa razão são necessárias com frequência medidas especiais tais como:

- Reduzir parcialmente a entrada de ar no dispositivo de arranque e conseqüentemente aumentar a temperatura de trabalho do motor.

Temperaturas de -5°C ou mais frio:



Para operações com a máquina em clima frio ou neve solta, está disponível uma cobertura especial que se monta no compartimento do dispositivo de arranque. Assim reduz-se a entrada de ar frio e impede a sucção de grandes quantidades de neve. (117)

NOTA! Se estiver montado o conjunto kit de inverno ou se foram tomadas as medidas para aumento de temperatura, deve retornar-se a uma regulação normal quando a máquina for usada sob condições normais de temperatura. Caso contrário, há risco de sobreaquecimento com sérios danos para o motor.

IMPORTANTE! Toda a manutenção além da mencionada neste livro deve ser feita pelo serviço de assistência técnica autorizada (concessionários).

MANUTENÇÃO

Esquema de manutenção

Abaixo segue uma lista dos cuidados a ter com a máquina. A maioria dos pontos encontram-se descritos na secção Manutenção.

Controle diário	Controle semanal	Controle mensal
Limpe a máquina externamente.	Verifique o sistema de arrefecimento semanalmente.	Verificar a lona de freio do travão da corrente com vista a desgaste. Substituir quando a espessura for inferior a 0,6 mm no sítio mais gasto.
Verifique se todos os componentes do acelerador funcionam em segurança. (Bloqueio de acelerador e acelerador.)	Verificar o dispositivo de arranque, a corda de arranque e a mola de retorno.	Verifique o desgaste no centro, tambor e mola de acoplamento.
Limpe o travão de corrente e controle o seu funcionamento em segurança. Verifique se o retentor de corrente está intacto, troque se necessário.	Verificar se os elementos anti-vibração estão em bom estado.	Limpe a vela de ignição. Verifique a folga entre os eléctrodos, 0,5 mm.
A lâmina deve ser voltada regularmente para um desgaste mais homogéneo. Verifique se o orifício de lubrificação da lâmina não está obstruído. Limpe a ranhura da lâmina. Se a lâmina tiver rolete na extremidade, lubrifique-o.	Lubrifique o rolamento do tambor de fricção.	Limpe o carburador exteriormente.
Verifique se a lâmina e a corrente recebem óleo suficiente.	Remova com a lima eventuais rebarbas nas laterais da lâmina.	Verifique o filtro e o tubo de combustível. Troque se necessário.
Verificar se a corrente da serra tem fissuras visíveis nos rebites e elos, se a corrente está rígida e se os rebites e elos estão muito gastos. Se necessário, substituir.	Limpe ou substitua a rede retentora de faíscas do silenciador.	Esvaziar o depósito de combustível e lavá-lo por dentro.
Afie a corrente e verifique a sua tensão e estado. Verifique se o pinhão da corrente não está com desgaste anormal e troque se necessário.	Limpe o compartimento do carburador.	Esvaziar o depósito de óleo e lavá-lo por dentro.
Limpe a entrada de ar do dispositivo de arranque.	Limpe o filtro de ar. Troque se necessário.	Verifique todos os cabos e conexões.
Verifique se os parafusos e porcas estão apertados.		
Verifique se o contacto de paragem funciona.		
Verifique se não há fuga de combustível do motor, depósito ou tubagem de combustível.		
Verifique que a corrente não gira quando o motor está na marcha em vazio.		

ESPECIFICAÇÕES TÉCNICAS

Especificações técnicas

	435 II	435e II	440 II	440e II
Motor				
Cilindrada, cm ³	40,9	40,9	40,9	40,9
Diâmetro do cilindro, mm	41	41	41	41
Curso do pistão, mm	31	31	31	31
Rotação em vazio, r/min.	2900	2900	2900	2900
Potência, kW/ r/min.	1,6/9000	1,6/9000	1,8/9000	1,8/9000
Sistema de ignição				
Vela de ignição	NGK BPMR 7A/ Champion RCJ 7Y	NGK BPMR 7A/ Champion RCJ 7Y	NGK BPMR 7A/ Champion RCJ 7Y	NGK BPMR 7A/ Champion RCJ 7Y
Folga dos eléctrodos, mm	0,5	0,5	0,5	0,5
Sistema de combustível/lubrificação				
Capacidade do depósito, litros	0,37	0,37	0,37	0,37
Capacidade da bomba de óleo a 9.000 r/min, ml/min	13	13	13	13
Volume do depósito de óleo, litros	0,25	0,25	0,25	0,25
Tipo de bomba de óleo	Automática	Automática	Automática	Automática
Peso				
Moto-serra sem lâmina e corrente, depósitos vazios, kg	4,2	4,4	4,2	4,4
Emissões de ruído (ver nota 1)				
Nível de potência sonora, medido em dB(A)	112	112	113	113
Nível de potência sonora, L _{WA} garantido dB(A)	114	114	114	114
Níveis acústicos (ver nota 2)				
Nível de pressão sonora equivalente junto ao ouvido do utente, dB(A)	102	102	102	102
Níveis de vibração equivalentes, a_{hveq} (ver nota 3)				
Punho dianteiro, m/s ²	2,5	2,5	2,5	2,5
Punho traseiro, m/s ²	3,2	3,2	3,2	3,2
Corrente/lâmina				
Comprimento de lâmina standard, pol/cm	13"/33	13"/33	13/33	13"/33
Comprimentos de lâmina recomendados, pol/cm	13-18/33-45	13-18/33-45	13-18/33-45	13-18/33-45
Comprimento de corte efectivo, pol/cm	12-17/31-43	12-17/31-43	12-17/31-43	12-17/31-43
Passo, pol/mm	0,325/8,25	0,325/8,25	0,325/8,25	0,325/8,25
Espessura do elo de condução, pol/mm	0,050/1,3	0,050/1,3	0,050/1,3	0,050/1,3
Tipo de pinhão/n.º de dentes	Spur/7	Spur/7	Spur/7	Spur/7
Velocidade da corrente a 133% da velocidade máxima de potência do motor, m/s.	23,1	23,1	23,1	23,1

Nota 1: Emissões sonoras para as imediações, medidas sob forma de potência sonora (L_{WA}) conforme a directiva da CE 2000/14/CE.

Nota 2: O nível de pressão de ruído equivalente, segundo a norma ISO 22868, é calculado como a soma da energia ponderada no tempo dos diferentes níveis de pressão sonora, em diferentes condições de funcionamento. A dispersão estatística típica do nível de pressão do ruído equivalente é um desvio padrão de 1 dB (A).

Nota 3: O nível de vibrações equivalente, segundo a norma ISO 22867, é calculado como a soma da energia ponderada no tempo dos níveis de vibração, em diferentes condições de funcionamento. Os dados registados para o nível de vibração equivalente têm uma dispersão estatística típica (desvio padrão) de 1 m/s².



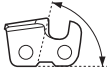


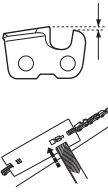
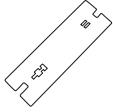
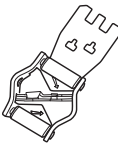
ESPECIFICAÇÕES TÉCNICAS

Combinações de lâmina e corrente

O equipamento de corte seguinte foi aprovado para os modelos Husqvarna 435 II, 435e II, 440 II e 440e II.

Lâmina				Corrente	
Compriment o, pol	Passo, pol	Largura do sulco, mm	N.º máx. de dentes no rolete da ponta da lâmina	Tipo	Comprimento, elementos de accionamento (qtd.)
13	0,325	1,3	10T	Husqvarna H30	56
15					64
16					66
18					72

Limagem e calibradores de lima da corrente da serra.

							
H30	3/16 / 4,8	85°	30°	10°	0,025 / 0,65	5056981-00	5056981-08

Certificado CE de conformidade

(Válido unicamente na Europa)

Nós, **Husqvarna AB**, SE-561 82 Huskvarna, Suécia, telefone n.º: +46-36-146500, declaramos ser de nossa inteira responsabilidade que os produtos moto-serra para silvicultura **Husqvarna 435 II, 435e II, 440 II e 440e II** a que se refere esta declaração, com números de série do ano de 2013 e seguintes (o ano é claramente identificado na etiqueta de tipo, seguido de um número de série) estão conforme os requisitos da DIRETRIZ DO CONSELHO:

- de 17 de Maio de 2006 "referente a máquinas" **2006/42/CE**.
- de 15 de Dezembro de 2004 "referente a compatibilidade electromagnética" **2004/108/CEE**.
- de 8 de Maio de 2000 "referente à emissões sonoras para as imediações" **2000/14/CE**.


Para informações referentes às emissões sonoras, ver o capítulo Especificações técnicas. Foram respeitadas as normas seguintes: **EN ISO 12100:2010, ISO 14982:2009, EN ISO 11681-1:2011**

Entidade competente: **0404, SMP Svensk Maskinprovning AB**, Box 7035, SE-750 07 Uppsala, Suécia, executou o controle de tipo da CE segundo a directiva de máquina (2006/42/CE) artigo 12, alínea 3b. Os certificados do controle de tipo da CE conforme anexo IX têm os números: **0404/09/2012** - 435 II, 435e II, 440 II, 440e II.

Além disso, SMP, Svensk Maskinprovning AB, Box 7035, SE-750 07 Uppsala, Suécia, emitiu certificado de conformidade com o anexo V da directiva do conselho de 8 de Maio de 2000 "referente a emissões sonoras para as imediações" 2000/14/CE. Os certificados têm os números: **01/161/075** - 435 II, 435e II, **01/161/074** - 440 II, 440e II.

A moto-serra fornecida está em conformidade com a que foi apresentada para controle de tipo da CE.

Huskvarna, 8 de Abril de 2013



Bengt Frögelius, Chefe de Desenvolvimento Moto-serra (Representante autorizado da Husqvarna AB e responsável pela documentação técnica.)

SIMBOLOGIA

I simboli sulla macchina:

AVVERTENZA! La motosega può essere pericolosa! L'uso improprio del mezzo può provocare lesioni anche mortali all'operatore o a terzi.

Prima di usare la macchina, leggere per intero le istruzioni per l'uso e accertarsi di averne compreso il contenuto.

Usare sempre:

- Elmetto protettivo omologato
- Protezioni acustiche omologate
- Occhiali o visiera di protezione

Il presente prodotto è conforme alle vigenti direttive CEE.

Emissioni di rumore nell'ambiente in base alla direttiva della Comunità Europea. L'emissione della macchina è indicata al capitolo Dati tecnici e sulla decalcomania.

Accensione; starter: Portare il comando dell'aria in posizione di starter. Il comando di arresto si pone automaticamente in posizione di avviamento.

Rifornimento carburante.

Rabbocco olio della catena.

Pompa carburante.

Regolazione della pompa dell'olio.

Freno della catena attivato (a destra) Freno della catena non attivato (a sinistra)

I restanti simboli/decalcomanie riguardano particolari requisiti necessari per ottenere la certificazione in alcuni mercati.



Simboli nelle istruzioni per l'uso:

Controllo e/o manutenzione devono essere effettuati a motore spento. N.B! Il contatto di avviamento/arresto torna automaticamente in posizione di marcia. Prevenire l'avviamento involontario staccando sempre il cappuccio dalla candela prima di effettuare operazioni di montaggio, controllo e/o manutenzione.



Utilizzare sempre guanti protettivi omologati.



E' necessario pulire con regolarità.



Controllo visivo.



Usare sempre occhiali o visiera di protezione.



Rifornimento carburante.



Rifornimento olio e regolazione del livello dell'olio.



Il freno della catena dev'essere inserito all'avviamento della motosega.



AVVERTENZA! Il contatto fra punta della lama e corpi estranei può dare origine a sobbalzo, provocando una reazione che scaglia la lama verso l'alto e all'indietro, in direzione dell'utente. Possono insorgere gravi lesioni personali.



Indice**SIMBOLOGIA**

I simboli sulla macchina:	273
Simboli nelle istruzioni per l'uso:	273

INDICE

Indice	274
--------------	-----

INTRODUZIONE

Alla gentile clientela	275
------------------------------	-----

CHE COSA C'È?

Che cosa c'è nella motosega?	275
------------------------------------	-----

NORME GENERALI DI SICUREZZA

Interventi prima di usare una nuova motosega	276
Importante	276
Impiegare sempre il buon senso	277
Abbigliamento protettivo	277
Dispositivi di sicurezza della macchina	277
Attrezzatura di taglio	279

MONTAGGIO

Montaggio di lama e catena	283
----------------------------------	-----

OPERAZIONI CON IL CARBURANTE

Carburante	284
Rifornimento	285
Carburante	285

AVVIAMENTO E ARRESTO

Avviamento e arresto	286
----------------------------	-----

TECNICA DI LAVORO

Ad ogni utilizzo:	288
Istruzioni generali di lavoro	288
Prevenzione del contraccolpo	291

MANUTENZIONE

Generalità	293
Regolazione del carburatore	293
Controllo, manutenzione e servizio dei dispositivi di sicurezza della motosega	293
Marmitta	294
Dispositivo di avviamento	294
Filtro dell'aria	295
Candela	295
Lubrificazione del cuscinetto	295
Sistema di raffreddamento	296
Depurazione centrifuga dell'aria "Air Injection"	296
Esercizio invernale	296
Schema di manutenzione	297

CARATTERISTICHE TECNICHE

Caratteristiche tecniche	298
Combinazioni di lama e catena	299
Affilatura della catena e affilatori	299
Dichiarazione di conformità CE	299

INTRODUZIONE

Alla gentile clientela

Congratulazioni per aver scelto di acquistare un prodotto Husqvarna! Le origini della Husqvarna risalgono al 1689 quando il re Karl XI fece costruire una fabbrica sulle rive del fiume Huskvarnaån per la produzione di moschetti. La posizione sul fiume Huskvarnaån è spiegata dal fatto che il fiume veniva usato per produrre energia, rappresentando così una vera e propria centrale idroelettrica. Durante gli oltre 300 anni della sua esistenza, l'azienda Husqvarna ha fabbricato innumerevoli prodotti, dalle stufe a legna fino ai moderni elettrodomestici, dalle macchine da cucire alle biciclette e alle motociclette. Nel 1956 venne lanciato il primo rasaerba a motore, seguito dalla motosega nel 1959 ed è proprio questo il settore di competenza odierno della Husqvarna.

La Husqvarna è oggi uno dei leader mondiali nella produzione di articoli per giardinaggio e silvicoltura, con qualità e prestazioni come priorità assoluta. L'idea commerciale si basa sullo sviluppo, la produzione e la commercializzazione di prodotti a motore destinati a giardinaggio e silvicoltura ed anche al settore edilizio e a quello dell'installazione di impianti. La Husqvarna vuole inoltre essere all'avanguardia per quanto concerne l'ergonomia, le esigenze dell'operatore, la sicurezza e il rispetto dell'ambiente, motivi per cui sono state introdotte una serie di innovazioni tecnologiche al fine di migliorare i prodotti da questi punti di vista.

Siamo convinti che sarete pienamente soddisfatti della qualità e delle prestazioni del nostro prodotto per un lungo tempo a venire. L'acquisto di uno dei nostri prodotti vi garantisce l'accesso alla competenza di personale qualificato per l'assistenza e le riparazioni in caso di necessità. Se non avete acquistato la macchina presso uno dei nostri rivenditori autorizzati, rivolgetevi alla più vicina officina di assistenza.

Ci auguriamo che rimarrete soddisfatti della vostra macchina e speriamo di potervi servire per molto tempo in futuro. Non dimenticate che questo manuale delle istruzioni è un documento di valore. Seguendone il contenuto (uso, assistenza, manutenzione ecc.) potrete aumentare notevolmente la durata della vostra macchina e anche il suo valore di usato. Se vendete la macchina, ricordate di consegnare il manuale delle istruzioni al nuovo proprietario.

La ringraziamo per aver scelto un prodotto Husqvarna.

La Husqvarna AB procede costantemente allo sviluppo dei propri prodotti e si riserva quindi il diritto di apportare, senza alcun preavviso, modifiche riguardanti fra l'altro la forma e l'aspetto esteriore.

Che cosa c'è nella motosega? (1)

- 1 Coperchio del cilindro
- 2 Pompa carburante.
- 3 Indicazione di avviamento
- 4 Contatto combinato di avviamento e arresto
- 5 Impugnatura posteriore
- 6 Decalcomania di informazioni e avvertenza
- 7 Serbatoio carburante
- 8 Viti di regolazione carburatore
- 9 Maniglia di avviamento
- 10 Dispositivo di avviamento
- 11 Serbatoio olio catena
- 12 Targhetta prodotto e numero di serie
- 13 Segno direzionale
- 14 Impugnatura anteriore
- 15 Protezione anticontraccolpo
- 16 Marmitta
- 17 Catena
- 18 Rotella di punta della catena
- 19 Lama
- 20 Appoggio per la corteccia
- 21 Fermo della catena
- 22 Vite tendicateni (435 II, 440 II)
- 23 Coperchio della frizione (435 II, 440 II)
- 24 Protezione della mano destra
- 25 Comando del gas
- 26 Fermo del gas
- 27 Coperchio della frizione (435e II, 440e II)
- 28 Ruota tendicateni
- 29 Manopola
- 30 Istruzioni per l'uso
- 31 Chiave combinata
- 32 Coprilama

NORME GENERALI DI SICUREZZA

Interventi prima di usare una nuova motosega

- Leggere attentamente le istruzioni per l'uso.
- (1) - (117) si riferiscono alle illustrazioni a pag. 2-6.
- Controllare il montaggio e la messa a punto dell'attrezzatura di taglio. Vedi istruzioni alla voce Montaggio.
- Effettuare il rifornimento e accendere la motosega. Vedere le istruzioni alle sezioni Movimentazione del carburante e Avviamento e arresto.
- Non usare la motosega prima che la catena sia stata raggiunta da una quantità sufficiente di olio. Vedi istruzioni alla voce Attrezzatura di taglio.
- Una lunga esposizione al rumore può comportare lesioni permanenti all'udito. Usare quindi sempre cuffie di protezione omologate.



AVVERTENZA! Evitare assolutamente di modificare la versione originale della macchina senza l'autorizzazione del fabbricante. Usare sempre accessori originali. Modifiche e/o accessori non autorizzati possono causare lesioni gravi o mortali all'operatore o a terzi.



AVVERTENZA! Se usata in modo improprio o non attento, la motosega può essere un attrezzo pericoloso, in grado di causare lesioni gravi o addirittura mortali. È di estrema importanza leggere e comprendere il contenuto di questo manuale di istruzioni.



AVVERTENZA! L'interno della marmitta contiene sostanze chimiche che potrebbero essere cancerogene. Evitare il contatto con queste sostanze in caso di marmitta danneggiata.



AVVERTENZA! L'inalazione prolungata dei gas di scarico del motore, dei vapori dell'olio della catena e della polvere di segatura può essere dannosa per la salute.



AVVERTENZA! Questa macchina genera un campo elettromagnetico durante il funzionamento che in determinate circostanze può interferire con impianti medici attivi o passivi. Per ridurre il rischio di gravi lesioni personali o mortali, i portatori di tali impianti devono consultare il proprio medico e il relativo produttore prima di utilizzare la macchina.



AVVERTENZA! Non consentire mai a bambini di utilizzare la macchina o avvicinarsi a essa. Poiché la macchina è dotata di contatto di arresto con ritorno a molla e può avviarsi a bassa velocità con una leggera trazione dell'impugnatura di avviamento, in alcune condizioni la macchina potrebbe essere avviata anche da bambini piccoli. Sussiste il rischio di gravi lesioni personali. Staccare quindi il cappuccio dalla candela quando si lascia la macchina incustodita.

Importante

IMPORTANTE!

Questa motosega è pensata per lavori di selvicoltura come l'abbattimento, la potatura e il taglio.

I regolamenti nazionali possono imporre limitazioni all'uso della macchina.

Si raccomanda di utilizzare esclusivamente le combinazioni lama/catena indicate nel capitolo Dati tecnici.

Non utilizzare mai la macchina in condizioni di stanchezza oppure sotto l'effetto di alcolici, stupefacenti o farmaci in grado di alterare la vista, la capacità di valutazione o la coordinazione.

Usare sempre abbigliamento protettivo. Vedi istruzioni alla voce Abbigliamento protettivo.

Non modificare mai la macchina né utilizzarla se sembra essere stata modificata da altri.

Non usare mai una macchina difettosa. Effettuare i controlli di sicurezza e attenersi alle istruzioni di manutenzione e riparazione riportate nel presente manuale. Alcuni interventi devono essere eseguiti da personale specializzato. Vedere le istruzioni alla sezione Manutenzione.

Usare solo i ricambi e gli accessori consigliati nel presente manuale. Vedi istruzioni alle voci Attrezzatura di taglio e Caratteristiche tecniche.

N.B! Indossare sempre occhiali protettivi o una visiera per ridurre il rischio di danni legati alla proiezione di oggetti. Una motosega è in grado di proiettare con elevata violenza oggetti quali segatura, trucioli ecc. Possono insorgere seri danni, in particolare agli occhi.



AVVERTENZA! Un motore acceso in un ambiente chiuso o mal ventilato può essere causa di morte per soffocamento o avvelenamento da monossido di carbonio.



AVVERTENZA! Il rischio di sobbalzo è maggiore in caso di gruppo di taglio errato o combinazione lama/catena errata! Utilizzare esclusivamente le combinazioni lama/catena raccomandate e attenersi alle istruzioni per l'affilatura. Vedere le istruzioni alla sezione Dati tecnici.

NORME GENERALI DI SICUREZZA

Impiegare sempre il buon senso (2)

È impossibile prevedere tutte le situazioni che possono insorgere durante l'utilizzo di una motosega. Agire sempre con cautela e impiegare il buon senso. Evitare situazioni per le quali non si ritiene di essere sufficientemente qualificati. Se restano dubbi in merito alle procedure di lavoro anche dopo aver letto le presenti istruzioni, rivolgersi a un esperto prima di continuare. Non esitare a contattare il rivenditore o il produttore per qualsiasi domanda sull'utilizzo della motosega. Siamo a vostra disposizione per fornirvi consigli che vi permettono di utilizzare la motosega in modo migliore e più sicuro. Vi consigliamo di frequentare un corso sull'utilizzo delle motoseghe. Il rivenditore, un istituto professionale o la biblioteca possono consigliarvi il materiale didattico disponibile oppure informarvi sui corsi di addestramento. Lavoriamo continuamente al miglioramento di design e tecnologia; queste migliorie aumentano la vostra sicurezza e la vostra efficienza. Recatevi regolarmente dal vostro rivenditore, che sarà lieto di illustrarvi le novità più utili.

Abbigliamento protettivo



AVVERTENZA! La maggior parte degli incidenti si verifica quando la catena colpisce l'operatore. Lavorando con la macchina usare sempre abbigliamento protettivo omologato. L'uso di abbigliamento protettivo non elimina i rischi di lesioni, ma riduce gli effetti del danno in caso di incidente. Consigliatevi con il vostro rivenditore di fiducia per la scelta dell'attrezzatura adeguata.

- Elmetto protettivo omologato
- Cuffie auricolari protettive
- Occhiali o visiera di protezione
- Guanti con protezione antitaglio
- Pantaloni con protezione antitaglio
- Stivali con protezione antitaglio, calotta di acciaio e suola antiscivolo.
- Tenere sempre a portata di mano la cassetta di pronto soccorso.
- Estintore e vanga

L'abbigliamento in generale deve essere tale da non ostacolare la libertà di movimento.

IMPORTANTE! Marmitta, lama, catena o altre fonti possono originare scintille. Tenere sempre a portata di mano un estintore o altri attrezzi per spegnere le fiamme. In questo modo potete contribuire alla prevenzione degli incendi boschivi.

Dispositivi di sicurezza della macchina

Questa sezione descrive i dispositivi di sicurezza della macchina e la loro funzione. Per i controlli e gli interventi di manutenzione, vedere le istruzioni alla sezione Controllo, manutenzione e assistenza dei dispositivi di sicurezza della motosega. Vedere le istruzioni alla sezione Identificazione delle parti per localizzare questi dispositivi sulla macchina.

La durata della macchina può ridursi e il rischio di incidenti aumentare se la manutenzione non viene eseguita correttamente e se l'assistenza e/o le riparazioni non vengono effettuate da personale qualificato. Per ulteriori informazioni rivolgersi alla più vicina officina di assistenza.



AVVERTENZA! Non utilizzare mai una macchina con dispositivi di sicurezza difettosi. I dispositivi di sicurezza devono essere controllati e sottoposti a manutenzione. Vedere le istruzioni alla sezione Controllo, manutenzione e assistenza dei dispositivi di sicurezza della motosega. Se la macchina non supera anche un solo dei controlli, rivolgersi a un centro di assistenza per le necessarie riparazioni.

Freno della catena con protezione anticontraccolpo

La motosega è dotata di freno della catena progettato per fermare la catena in caso di sobbalzo. Un freno della catena riduce il rischio di incidenti, ma solamente l'utente può prevenirli con il suo operato. (3)

Lavorate con cautela e fate in modo che il settore "a rischio di contraccolpo" non venga mai in contatto con nessun oggetto. (4)

- Il freno della catena (A) si attiva manualmente (con la mano sinistra) o tramite la funzione di inerzia. (5)
- Il freno si attiva quando la protezione (B) viene spinta in avanti. (6)
- Il movimento attiva un dispositivo a molla che agisce sul nastro del freno (C) intorno al sistema di trazione della catena del motore (D) (tamburo della frizione). (6)
- La protezione anticontraccolpo non serve solo ad attivare il freno della catena: Riduce anche ad un minimo il rischio che la mano sinistra entri in contatto con la catena qualora si perda la presa dell'impugnatura.
- Il freno della catena deve essere inserito all'avviamento della motosega per prevenire la rotazione della catena. (55)
- Utilizzare il freno della catena come 'freno di stazionamento' all'avviamento e durante i brevi spostamenti per prevenire incidenti dovuti al contatto

NORME GENERALI DI SICUREZZA

involontario fra utente o altri e catena in movimento. Non lasciare la motosega in funzione per periodi prolungati con il freno della catena attivato. La motosega potrebbe surriscaldarsi.

- Il freno della catena viene rilasciato spostando l'impugnatura anteriore contrassegnata con "PULL BACK TO RESET" all'indietro, verso la maniglia frontale.
- Il contraccolpo è improvviso e può essere molto violento. Nella maggior parte dei casi questi fenomeni sono leggeri e non provocano l'arresto della catena. In queste situazioni basta tenere ben salda la motosega e non lasciarla andare.
- Il modo di attivazione del freno, manuale o inerziale, dipende dalla violenza del contraccolpo e dalla posizione della motosega rispetto all'oggetto venuto in contatto con il settore "a rischio".

In caso di sobbalzo violento e laddove il settore a rischio di sobbalzo della lama è più distante possibile dall'utente, il freno della catena è progettato in modo da attivarsi per effetto del relativo contrappeso (inerzia) nel senso di sobbalzo. (7)

In caso di movimenti meno violenti o in quelle situazioni in cui il settore "a rischio" è vicino all'operatore, il freno della catena viene azionato dalla mano sinistra.

- In posizione di abbattimento, la mano sinistra si trova in una posizione che non permette l'attivazione manuale del freno della catena. Durante questo tipo di interventi, cioè quando la mano sinistra per la sua posizione non è in grado di agire sulla protezione dal sobbalzo, il freno della catena può essere attivato solo tramite la funzione di inerzia. (8)

È sufficiente il contatto con la mano per attivare sempre il freno della catena in caso di sobbalzo?

No. È necessaria una certa forza per spingere in avanti la protezione dal sobbalzo. Se la mano sfiora solamente la protezione dal sobbalzo oppure ci scivola sopra, può darsi che la forza non sia sufficiente ad attivare il freno della catena. Durante il lavoro è necessario mantenere inoltre una presa sicura dell'impugnatura della motosega. Così facendo, in caso di sobbalzo potreste non rilasciare la mano dall'impugnatura anteriore e non attivare il freno della catena oppure il freno della catena potrebbe attivarsi dopo che la motosega ha continuato a girare un altro po'. In questa situazione il freno della catena potrebbe non fermare la catena in tempo e la catena potrebbe colpirvi.

Vi sono anche posizioni di lavoro nelle quali la mano non può raggiungere la protezione dal sobbalzo e attivare il freno della catena, per esempio quando si tiene la motosega in posizione di abbattimento.

Il freno della catena è sempre attivato dalla funzione di inerzia in caso di sobbalzo?

No. In primo luogo il freno deve essere funzionante. È facile provare il freno. Vedere le istruzioni alla sezione

Controllo, manutenzione e assistenza dei dispositivi di sicurezza della motosega. Si raccomanda di eseguire questa operazione all'inizio di ogni turno. In secondo luogo il sobbalzo deve essere di forza sufficiente ad attivare il freno della catena. Se il freno della catena fosse troppo sensibile, si attiverebbe continuamente causando inutili interruzioni del lavoro.

Il freno della catena protegge sempre l'utente da danni in caso di sobbalzo?

No. In primo luogo il freno deve essere funzionante, per dare la protezione prevista. In secondo luogo deve attivarsi come descritto in precedenza, affinché la catena si fermi in caso di sobbalzo. In terzo luogo il freno della catena potrebbe attivarsi, ma se la lama è troppo vicina all'utente, può darsi che il freno non abbia il tempo di rallentare e fermare la catena prima che la motosega venga a contatto con l'utente.

Solamente l'utente e una corretta tecnica di lavoro possono eliminare sobbalzi e relativi rischi.

Fermo del gas

Il fermo dell'acceleratore ha il compito di prevenire l'attivazione involontaria dell'acceleratore. Premendo il fermo (A) all'interno dell'impugnatura (= tenendo l'impugnatura) si sblocca l'acceleratore (B). Rilasciando l'impugnatura, sia l'acceleratore che il relativo fermo ritornano nelle posizioni originarie. In questa posizione, l'acceleratore è automaticamente bloccato sul minimo. (9)

Fermo della catena

È costruito in modo da bloccare la catena qualora questa salti o si strappi. Questi fenomeni si evitano normalmente con un tensionamento corretto della catena (vedi istruzioni alla voce Montaggio) e con la corretta manutenzione di lama e catena (vedi istruzioni alla voce Istruzioni generali di lavoro). (10)

Protezione della mano destra

Oltre a proteggere la mano in caso di salto o rottura della catena, assicura la presa sull'impugnatura posteriore nonostante la presenza di rami o frasche. (11)

Sistema di smorzamento delle vibrazioni

Il sistema di smorzamento delle vibrazioni adottato, elimina la maggior parte delle vibrazioni che si sviluppano durante l'uso della macchina.

Il sistema di smorzamento delle vibrazioni della macchina ne riduce la propagazione tra gruppo motore/gruppo di taglio e impugnatura. Il corpo della motosega, compreso il gruppo di taglio, è sospeso alle impugnature tramite elementi smorzatori.

Il taglio in un legno duro (la maggior parte delle latifoglie) produce più vibrazioni del taglio in un legno tenero (gran parte delle conifere). Le vibrazioni aumentano se l'attrezzatura di taglio non è ben affilata o se è di tipo non adeguato.

NORME GENERALI DI SICUREZZA



AVVERTENZA! La sovraesposizione a vibrazioni può provocare lesioni vascolari o nervose in soggetti che soffrono di disfunzioni circolatorie. Rivolgersi a un medico se si provano sintomi ricollegabili alla sovraesposizione a vibrazioni. Esempi di questi sintomi: intorpidimento, perdita di sensibilità, "formicolio", "torpore", dolore, mancanza di forza o riduzione delle forze normali, alterazioni di colore o aspetto della pelle. Questi sintomi si manifestano solitamente a dita, mani o polsi. I sintomi possono accentuarsi a temperature rigide.

Interruttore di arresto

L'interruttore di arresto serve a spegnere il motore. (12)

Marmitta

La marmitta è costruita in modo da assicurare il minimo livello di rumorosità e da allontanare i gas di scarico del motore dall'operatore.



AVVERTENZA! I gas di scarico del motore sono molto caldi e possono contenere scintille in grado di provocare incendi. Non avviare mai la macchina in ambienti chiusi o vicino a materiale infiammabile!

In aree dal clima caldo e asciutto può sussistere un grosso pericolo di incendi. In alcune di queste aree la legislazione può prevedere, per esempio, che la marmitta sia dotata di rete parascintille omologata. (13)

Quando si installa la rete, assicurare che la rete sia inserita nella posizione corretta. Se necessario, usare la chiave combinata per inserire o rimuovere la rete.

N.B! La marmitta è molto calda durante l'uso e per un po' di tempo dopo. Quanto detto vale anche se la macchina funziona al minimo. Considerare il pericolo di incendio, specialmente quando si movimentano sostanze e/o gas infiammabili.



AVVERTENZA! Non utilizzare mai una motosega se la marmitta è difettosa o mancante. Una marmitta difettosa può aumentare sensibilmente il livello acustico e il pericolo di incendio. Tenere a portata di mano un estintore o altri attrezzi per spegnere le fiamme. Non utilizzare mai una motosega se è difettosa o manca la rete parascintille obbligatoria per legge nella vostra area.

Attrezzatura di taglio

Questa parte vi indica, con la corretta manutenzione e l'uso del tipo di attrezzatura di taglio, come:

- Ridurre la tendenza al contraccolpo della macchina.
- Riduce il pericolo di caduta o rottura della catena.
- Fornisce prestazioni di taglio ottimali.
- Aumentare la durata dell'attrezzatura di taglio.
- Previene l'aumento dei livelli di vibrazioni.

Regole basilari

- **Usare solo attrezzatura di taglio da noi consigliata!** Vedere le istruzioni alla sezione Dati tecnici.
- **Tenere sempre ben affilati i denti della catena! Seguire le istruzioni e usare i risontri raccomandati.** Se la catena non è ben affilata, aumenta il rischio di incidenti.
- **Mantenere un angolo di spoglia corretto! Seguire le nostre istruzioni, utilizzando l'affilatore raccomandato per l'angolo di spoglia.** Un angolo di spoglia troppo grande aumenta il rischio di sobbalzo.
- **Controllare la tensione della catena!** Una catena troppo lenta salta facilmente e aumenta l'usura di ruota di rinvio, lama e catena.
- **Curare la lubrificazione e la manutenzione dell'attrezzatura di taglio!** Una lubrificazione insufficiente aumenta il rischio di rottura della catena e di usura di ruota di rinvio, lama e catena.

Gruppo di taglio a sobbalzo ridotto



AVVERTENZA! Il rischio di sobbalzo è maggiore in caso di gruppo di taglio errato o combinazione lama/catena errata! Utilizzare esclusivamente le combinazioni lama/catena raccomandate e attenersi alle istruzioni per l'affilatura. Vedere le istruzioni alla sezione Dati tecnici.

Il contraccolpo si può prevenire solo evitando di toccare un qualsiasi oggetto con la parte superiore della punta della lama, il così detto settore "a rischio".

Adottando attrezzatura di taglio con riduzione del contraccolpo "incorporata" e mantenendo sempre ben affilata la catena è possibile ridurre gli effetti del contraccolpo.

Lama

Minore è il raggio del puntale, minore è la propensione al sobbalzo.

NORME GENERALI DI SICUREZZA

Catena

La catena è costituita da una serie di maglie disponibili in versione standard o a riduzione del contraccalpo.

IMPORTANTE! Nessuna catena è in grado di eliminare completamente il rischio di sobbalzo.



AVVERTENZA! Il contatto con una catena in rotazione può provocare danni molto seri.

Alcuni termini relativi a lama e catena

Per mantenere tutti i dispositivi di sicurezza del gruppo di taglio, si raccomanda di sostituire le combinazioni lama/catena usurate o danneggiate con ricambi raccomandati da Husqvarna. Vedere le istruzioni alla sezione Dati tecnici in merito alle combinazioni lama/catena raccomandate.

Lama

- Lunghezza (pollici/cm)
- Numero di denti nella rotella di punta (T).
- Partitura della catena (=pitch) (pollici). La rotella di punta della lama e l'ingranaggio di trascinamento della catena devono essere adeguati alla distanza tra le maglie di trascinamento. (14)
- Numero di maglie di trascinamento (pz). Ogni lunghezza di lama, unita alla partitura della catena e ai denti della rotella di punta, risulta in un preciso numero di maglie di trascinamento.
- Larghezza della guida della lama (pollici/mm). La larghezza della guida della lama deve essere adeguata alla larghezza delle maglie di trascinamento.
- Foro di lubrificazione della catena e foro del perno testocatenata. La lama dev'essere adeguata alla costruzione della motosega. (15)

Catena

- Partitura (=pitch) (pollici) (14)
- Larghezza della maglia di trascinamento (mm/pollici) (16)
- Numero di maglie di trascinamento (pz) (17)

Affilatura e regolazione dell'angolo di spoglia della catena

Generalità sull'affilatura della catena

- Non segare mai con una catena usurata. La catena è usurata quando è necessario forzare il gruppo di taglio nel legno e i trucioli sono molto piccoli. Se la catena è molto usurata, non produce alcun truciolo. Si produce solamente segatura.
- Se la catena è affilata correttamente, penetra nel legno e produce trucioli grandi e lunghi.

- La parte tagliente di una catena è definita anello tagliente e si compone di un dente di taglio (A) e un oggetto di spoglia (B). La distanza in altezza fra queste parti rappresenta la profondità di taglio. (18)

Per l'affilatura del dente di taglio occorre considerare quattro misure.

- 1 Angolo di affilatura (19)
- 2 Angolo di appoggio (20)
- 3 Posizione della lima (21)
- 4 Diametro della lima tonda

È estremamente difficile affilare correttamente una catena senza gli attrezzi adatti. Per questo consigliamo il nostro affilatore. Affilando la catena con esso, si otterranno la massima riduzione del sobbalzo e le migliori prestazioni di taglio. (22)

Vedere le istruzioni alla sezione Dati tecnici in merito ai fattori da osservare per l'affilatura della catena della motosega.



AVVERTENZA! Il mancato rispetto delle istruzioni di affilatura aumenta sensibilmente la propensione al sobbalzo della catena.

Affilatura dei denti



Per l'affilatura del dente di taglio occorrono una lima tonda e un affilatore. Vedere le istruzioni alla sezione Dati tecnici in merito al diametro della lima tonda e all'affilatore raccomandato per la catena della motosega.

- Controllare che la catena sia ben tesa. In caso contrario la catena si muove lateralmente ed è più difficile ottenere una corretta affilatura.
- Affilare sempre il dente di taglio dall'interno verso l'esterno. Allentare la pressione sulla lima in fase di ritorno. Affilare prima tutti i denti di un lato, girare poi la motosega e ripetere l'operazione.
- Affilare facendo in modo che tutti i denti siano di uguale lunghezza. Quando il dente di taglio è di soli 4 mm (5/32"), la catena è usurata e va rottamata. (23)

Generalità sulla regolazione dell'angolo di spoglia

- Affilando il dente di taglio si riduce l'angolo di spoglia (= profondità di taglio). Per mantenere le migliori prestazioni di taglio, l'oggetto di spoglia deve essere abbassato al livello raccomandato. Vedere le istruzioni alla sezione Dati tecnici in merito all'angolo di spoglia adatto alla catena della motosega. (24)



AVVERTENZA! Un angolo di spoglia troppo grande aumenta la propensione al sobbalzo della catena!

NORME GENERALI DI SICUREZZA

Regolazione dell'angolo di spoglia



- Prima di regolare l'angolo di spoglia, verificare che i denti di taglio siano stati affilati di recente. Si raccomanda di regolare l'angolo di spoglia ogni tre affilature della catena. NB - Questa raccomandazione presuppone che i denti di taglio non siano stati affilati a una lunghezza anomala.
- Per la regolazione dell'angolo di spoglia occorrono una lima piatta e un affilatore. Si raccomanda l'utilizzo del nostro affilatore per l'angolo di spoglia, che garantisca un angolo di spoglia corretto e un angolazione corretta dell'oggetto di spoglia.
- Appoggiare l'affilatore sulla catena. Le informazioni per l'uso dell'affilatore sono riportate sulla confezione. Utilizzando la lima piatta, asportare l'eccedenza della sporgenza dell'oggetto di spoglia. L'angolo di spoglia è corretto quando, facendo passare la lima sull'affilatore, non si incontra alcuna resistenza. (25)

Tensionamento della catena



AVVERTENZA! Una catena troppo lente salta facilmente, e rappresenta motivo di pericolo in quanto può provocare lesioni gravi o mortali.

La lunghezza della catena aumenta con l'uso. È importante quindi regolare l'attrezzatura di taglio in seguito a cambiamenti del genere.

Controllare spesso la tensione della catena, meglio se ad ogni occasione di rifornimento. N.B! Se la catena è nuova, richiede un periodo di rodaggio durante il quale va controllata più spesso.

Tendere la catena il più possibile, ma in modo che possa essere facilmente fatta girare con la mano. (26)

435 II, 440 II



- Allentare il dado della lama che blocca il coperchio della frizione/freno della catena. Usare la chiave combinata. Stringere poi il dado della lama a mano il più possibile. (27)
- Sollevare la punta della lama e tirare la catena avvitando la vite del tendicateni con l'utensile combinato. Tendere la catena fino a quando non rimane nella scanalatura intorno alla lama. (28)
- Stringere il dado della lama con la chiave combinata tenendo sollevata la punta della lama. Controllare che la catena possa essere fatta girare manualmente con

facilità e che non penda dalla parte inferiore della lama. (29)

La posizione della vite tendicateni si differenzia da un modello all'altro delle nostre motoseghe. Vedere le istruzioni alla sezione Identificazione delle parti per localizzarla sul vostro modello.

435e II, 440e II



- Rilasciare la manopola tirandola all'esterno. (30)
- Girare la manopola in senso antiorario per allentare il coperchio della barra. (31)
- Regolare la tensione della catena girando la ruota verso il basso (+) per aumentarla o verso l'alto (-) per diminuirla. (32)
- Serrare la frizione della barra girando la manopola in senso orario. (33)
- Ripiegare la manopola all'interno per bloccare il tensionamento. (34)

Lubrificazione dell'attrezzatura di taglio



AVVERTENZA! Una lubrificazione insufficiente dell'attrezzatura di taglio provoca la rottura della catena con gravi rischi di lesioni personali anche mortali.

Olio per catena

L'olio per catena deve presentare una buona aderenza e buone proprietà di scorrimento, sia d'estate che d'inverno.

In qualità di produttori di motoseghe abbiamo messo a punto un olio per catena ottimale e, grazie alla base vegetale, biodegradabile. Consigliamo l'utilizzo del nostro olio per assicurare la massima durata della motosega e tutelare l'ambiente. Qualora il nostro olio per catena non fosse disponibile, utilizzare un comune olio per catene.

Non utilizzare mai oli esausti! È nocivo per voi, la macchina e l'ambiente.

IMPORTANTE! Utilizzando un olio della catena vegetale, rimuovere e pulire scanalatura della lama e catena prima di lunghi periodi di rimessaggio. In caso contrario sussiste il rischio di ossidazione della catena, con conseguente irrigidimento della catena e grippaggio del puntale a rochetto della lama.

Rifornimento dell'olio per catena

- Tutti le nostre motoseghe sono dotate di lubrificazione automatica della catena. Su alcuni modelli il flusso dell'olio è regolabile.
- Serbatoio dell'olio della catena e serbatoio del carburante sono dimensionati in modo che il carburante si esaurisca prima dell'olio.

Questa funzione di sicurezza prevede tuttavia l'utilizzo di un olio della catena corretto (se l'olio è troppo fluido,

NORME GENERALI DI SICUREZZA

il relativo serbatoio si svuota prima dell'esaurimento del carburante), il rispetto delle nostre raccomandazioni sulla registrazione del carburatore (se la miscela è troppo 'magra', il carburante dura più dell'olio della catena) e il rispetto delle nostre raccomandazioni sulla scelta del gruppo di taglio (una lama troppo lunga richiede più olio della catena).

Controllo della lubrificazione della catena

- Controllare il funzionamento della lubrificazione ad ogni rifornimento.

Puntare la lama contro una superficie chiara, da una ventina di centimetri (8 pollici) di distanza. Dopo un minuto circa, a 3/4 di gas, la superficie dovrà presentare evidenti tracce d'olio.

Se la lubrificazione non funziona:

- Controllare che il canale di lubrificazione della lama non sia ostruito. Pulire se necessario. **(35)**
- Controllare che la scanalatura sulla lama sia pulita. Pulire se necessario. **(36)**
- Controllare che la rotella di punta giri liberamente e che il foro di lubrificazione sia pulito. Pulire e lubrificare se necessario. **(37)**

Se la lubrificazione non funziona, nonostante i controlli e gli interventi relativi, contattare immediatamente un'officina autorizzata.

Rotella di trascinamento della catena



Il tamburo della frizione è dotato di uno dei seguenti tipi di rotella:

- A Rotella fissa Spur (Montata sul tamburo)
- B Anello-ingranaggio Rim (Sostituibile) **(38)**

Controllare regolarmente il livello di usura della rotella di trascinamento. Sostituire se necessario. La rotella va sostituita ogni volta che si cambia la catena.

Lubrificazione del cuscinetto



Entrambi i tipi di puleggia della catena sono dotati di un cuscinetto a rullini sull'albero di uscita che deve essere lubrificato regolarmente (una volta alla settimana). N.B! Usare grasso per cuscinetti di buona qualità oppure olio per motore.

Vedere le istruzioni alla sezione Manutenzione, Lubrificazione del cuscinetto.

Controllo dell'usura dell'attrezzatura di taglio



Controllare giornalmente la catena, ed in particolare:

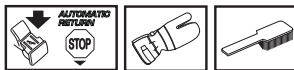
- Presenza di fratture o lesioni sui perni o sulle maglie.
- Elasticità della catena.
- Usura inconsueta di maglie e denti.

Gettare la catena se mostra uno o più dei suddetti difetti.

Per riferimento usare una catena nuova.

Affilare facendo in modo che tutti i denti siano di uguale lunghezza. Quando il dente di taglio è di soli 4 mm (5/32"), la catena è usurata e va rottamata. **(23)**

Lama



Controllare con regolarità:

- La presenza di graffi sui lati della lama. Eliminare con una lima se necessario.
- Se la scanalatura della lama è usurata oltre il normale. Sostituire la lama se necessario.
- Se la punta della lama è usurata irregolarmente. In caso di formazione di un "afossamento" alla fine della curvatura della punta, la catena non è correttamente tesa.
- Per la massima durata, si consiglia di girare la lama regolarmente.



AVVERTENZA! La maggior parte degli incidenti si verifica quando la catena colpisce l'operatore.

Usare sempre abbigliamento protettivo. Vedi istruzioni alla voce **Abbigliamento protettivo**.

Evitare operazioni per le quali non vi sentite qualificati. Vedi istruzioni alle voci **Abbigliamento protettivo**, **Prevenzione del contraccolpo**, **Attrezzatura di taglio e Istruzioni generali di lavoro**.

Evitare situazioni con rischio di **contraccolpo**. Vedi istruzioni alle voci **Dispositivi di sicurezza sulla macchina**.

Usare attrezzatura di taglio raccomandata e controllarne lo stato. Vedi istruzioni alle voci **Istruzioni generali di lavoro**.

Controllare il funzionamento dei dispositivi di sicurezza della motosega. Vedi istruzioni alle voci **Istruzioni generali di lavoro e Norme generali di sicurezza**.

Montaggio di lama e catena



AVVERTENZA! Intervenendo sulla catena, usare sempre guanti protettivi.

435 II, 440 II

- **Controllare che il freno della catena non sia attivato tirando la protezione anticontraccolpo verso l'impugnatura anteriore. (39)**
- Svitare il dado della lama e togliere il coperchio della frizione (freno della catena). Eliminare la protezione per il trasporto (A). **(40)**
- Montare la lama sul relativo bullone. Situare la lama il più indietro possibile. Situare la catena sopra la ruota motrice e nella scanalatura della lama. Cominciare dalla parte superiore della lama. **(41)**
- Controllare che il taglio dei denti sia rivolto in avanti, sul lato superiore della lama.
- Montare il coperchio frizione e ricordarsi di inserire il perno del tendicatena nel foro della barra. Controllare che le maglie di trasmissione della catena si incastrino correttamente sul pignone e che la catena sia adeguatamente posizionata nella scanalatura della barra. Serrare il dado della barra con le dita.
- Tendere la catena con la vite apposita e la chiave combinata avvitandola in senso orario. La tensione è corretta quando la catena rimane nella scanalatura intorno alla lama. **(42)**
- La tensione è corretta quando la catena non pende dalla parte inferiore della lama ma può ancora essere fatta girare manualmente con facilità. Serrare il dado della lama con la chiave combinata sollevando contemporaneamente la punta della lama. **(43)**
- Controllare spesso la tensione di una nuova catena fino al termine del rodaggio. Eseguire il controllo regolarmente. Una catena correttamente tesa significa migliori caratteristiche di taglio e lunga durata. **(44)**

435e II, 440e II

- **Controllare che il freno della catena non sia attivato tirando la protezione anticontraccolpo verso l'impugnatura anteriore. (45)**
- Smontare la puleggia tendicatena e rimuovere il carter della frizione (freno della catena). Togliere la protezione per il trasporto. (A) **(46)**
- Montare la lama sui perni di fissaggio. Spingere la lama indietro al massimo. Sistemare la catena sopra la ruota motrice e farla passare nella scanalatura. Cominciare dalla parte superiore. **(41)**

- Controllare che il taglio dei denti sia rivolto in avanti, sul lato superiore della lama.
- Montare il coperchio frizione e ricordarsi di inserire il perno del tendicatena nel foro della barra. Controllare che le maglie di trasmissione della catena si incastrino correttamente sul pignone e che la catena sia adeguatamente posizionata nella scanalatura della barra.
- Tendere la catena girando la ruota verso il basso (+). La catena deve essere tesa in modo che non penda sotto la barra. **(32)**
- La catena è tesa correttamente se non pende sotto la barra, ma può comunque essere girata facilmente con una mano. Sollevare la punta della barra e serrare la frizione della barra girando la manopola in senso orario. **(33)**
- Controllare spesso la tensione di una nuova catena fino al termine del rodaggio. Eseguire il controllo regolarmente. Una catena correttamente tesa significa migliori caratteristiche di taglio e lunga durata. **(44)**

Montaggio dell'appoggio per la corteccia

Per il montaggio dell'appoggio della corteccia contattare il rivenditore autorizzato. **(47)**

OPERAZIONI CON IL CARBURANTE

Carburante

Osservare! La macchina è dotata di motore a due tempi e deve sempre funzionare con una miscela di benzina e olio per motori a due tempi. Per garantire il corretto rapporto di miscelazione, misurare accuratamente la quantità di olio da miscelare. Preparando piccole quantità di carburante, anche un minimo errore nella quantità di olio può influenzare notevolmente il rapporto di miscelazione.



AVVERTENZA! Durante il rifornimento assicurare la massima ventilazione.

Benzina



- Usare benzina di buona qualità, con o senza piombo.
- Il numero minimo di ottani consigliato è 90 (RON). Un esercizio con numero di ottani inferiore a 90 può far sì che il motore "si inchiodi". Ciò comporta un aumento della temperatura e del carico, con la possibilità di gravi danni al motore.
- Lavorando spesso ai massimi regimi del motore, come in caso della diramatura, usare una benzina con un più alto tenore di ottani.

Carburante ecologico

HUSQVARNA raccomanda l'utilizzo di benzina ecologica (carburante alchilato): benzina premiscelata per motori a due tempi Aspen oppure benzina ecologica per motori a quattro tempi miscelata con olio per motori a due tempi come indicato di seguito. Notare che l'utilizzo di un altro tipo di carburante può richiedere la registrazione del carburatore (vedere le istruzioni alla sezione Carburatore).

Carburante a base di etanolo

HUSQVARNA raccomanda l'utilizzo del carburante disponibile in commercio con un contenuto massimo del 10% di etanolo.

Rodaggio

Evitare regimi eccessivi per periodi prolungati durante le prime 10 ore di esercizio.

Olio per motori a due tempi

- Per un risultato ottimale, utilizzare l'olio per motori a due tempi HUSQVARNA, studiato appositamente per i nostri motori a due tempi con raffreddamento ad aria.
- Non utilizzare mai olio per motori a due tempi formulato per motori fuoribordo con raffreddamento ad acqua (outboardoil - TCW).
- Non usare mai olio per motori a quattro tempi.
- Un olio di qualità scadente o una miscela carburante/olio troppo ricca può pregiudicare il corretto funzionamento della marmitta e ridurne la vita utile.

Miscela

1:50 (2%) con olio per motori a due tempi HUSQVARNA.

1:33 (3%) con altri oli per motori a due tempi con raffreddamento ad aria classificati a norma JASO FB/ISO EGB.

Benzina, litri	Olio per motori a due tempi, litri	
	2% (1:50)	3% (1:33)
5	0,10	0,15
10	0,20	0,30
15	0,30	0,45
20	0,40	0,60

Preparazione della miscela

- Preparare la miscela in recipiente pulito e a parte, omologato per la benzina.
- Iniziare con il versare metà della benzina da usare. Aggiungere tutto l'olio. Mescolare agitando. Versare la benzina rimanente.
- Mescolare (agitare) accuratamente prima di procedere al rifornimento.
- Preparare una quantità di miscela necessaria al massimo per un mese.
- In caso di rimessaggio prolungato, vuotare e pulire il serbatoio del carburante.

Olio della catena

- Per la lubrificazione si consiglia un olio speciale (olio per catene) dalle buone proprietà di adesione. **(48)**
- Non usare mai olio di recupero. Ciò comporterebbe danni alla pompa, alla lama e alla catena.
- E' importante usare olio adatto alla temperatura dell'aria (corretta viscosità).
- Con temperature inferiori a 0°C alcuni olio diventano più densi. Questo può sovraccaricare la pompa danneggiandone i componenti.
- Per la scelta dell'olio contattare l'officina di servizio.

OPERAZIONI CON IL CARBURANTE

Rifornimento



AVVERTENZA! I seguenti accorgimenti diminuiscono il pericolo di incendio:

Non fumare né collocare oggetti caldi nelle vicinanze del carburante.

Spegnere il motore e lasciarlo raffreddare alcuni minuti prima del rifornimento.

Aprire il tappo del serbatoio con cautela, per eliminare eventuali sovrappressioni.

Dopo il rifornimento chiudere bene il tappo.

Allontanare sempre la macchina dal luogo e dalla fonte di rifornimento prima della messa in moto.

Pulire intorno al tappo del serbatoio carburante. Pulire regolarmente il serbatoio carburante e quello dell'olio della catena. Sostituire il filtro del carburante almeno una volta l'anno. L'entrata di impurità nel serbatoio provoca disturbi di funzionamento. Agitare la miscela prima del rifornimento. Il volume del serbatoio del carburante è adeguato a quello del serbatoio dell'olio della catena. Rifornire quindi di olio e di carburante contemporaneamente. (48)



AVVERTENZA! Il carburante ed i relativi vapori sono particolarmente infiammabili. Maneggiare con cura olio della catena e carburante. Attenzione al pericolo di incendio ed esplosione.

Rimozione del tappo carburante e del tappo dell'olio della catena

- Premere verso il basso sulla zona zigrinata della levetta e sollevare in posizione verticale. (49)
- Allentare il tappo ruotandolo in senso antiorario. (50)
- Rimuovere il tappo. (51)

Sostituzione del tappo carburante e del tappo dell'olio della catena

- Inserire il tappo con la levetta in posizione verticale. (52)
- Serrare saldamente il tappo ruotandolo in senso orario. (53)
- Ripiegare la levetta verso il basso. (54)

IMPORTANTE! Sostituire sempre un tappo danneggiato.

Carburante

- Effettuare sempre il rifornimento a motore spento.
- Durante il rifornimento e la preparazione della miscela (benzina e olio per motori a due tempi) assicurare la massima ventilazione.
- Prima di avviare la macchina spostarla di almeno 3 metri dal luogo del rifornimento.
- Non accendere mai la macchina:
 - 1 Se vi sono gocce di carburante oppure olio della catena sulla macchina. Eliminare ogni traccia di sporco e lasciare evaporare i resti di benzina.
 - 2 Se avete versato del carburante su voi stessi o sui vostri abiti, cambiare abiti. Lavare le parti del corpo che sono venute a contatto con il carburante. Usare acqua e sapone.
 - 3 Se vi sono perdite di carburante nella macchina. Controllare con regolarità la presenza di eventuali perdite dal tappo del serbatoio o dai tubi di alimentazione.



AVVERTENZA! Non utilizzare mai una macchina che presenta danni visibili a protezione e cavo della candela. Sussiste il rischio di formazione di scintille, con conseguente pericolo di incendio.

Trasporto e rimessaggio

- Conservare motosega e carburante in luogo ben ventilato e lontano da fiamme o sorgenti di calore. Ad esempio: macchine elettriche, motori elettrici, connettori/interruttori, caldaie eccetera.
- Per la conservazione del carburante usare solo recipienti omologati.
- In caso di lungo rimessaggio e trasporto della motosega, vuotare sempre i serbatoi del carburante e dell'olio della catena di taglio. Contattare la stazione di rifornimento più vicina per lo smaltimento del carburante e dell'olio in eccesso.
- Per prevenire il contatto involontario con le parti affilate della catena, la protezione per il trasporto del gruppo di taglio deve essere sempre montata durante il trasferimento o il rimessaggio della macchina. Anche una catena immobile può provocare serie lesioni all'utente o altri, in caso di contatto.
- Rimuovere il cappuccio dalla candela. Attivare il freno della catena.
- Mettere in sicurezza la macchina durante il trasporto.

Lunghi periodi di rimessaggio

Svuotare i serbatoi di carburante e olio in un luogo sufficientemente ventilato. Conservare il carburante in taniche omologate e in un luogo sicuro. Montare la protezione della lama. Pulire la macchina. Vedere le istruzioni alla sezione Schema di manutenzione.

Accertarsi che la macchina sia ben pulita e che sia stata sottoposta a tutte le operazioni di assistenza prima di ogni rimessaggio a lungo termine.

AVVIAMENTO E ARRESTO

Avviamento e arresto



AVVERTENZA! Prima dell'avviamento osservare quanto segue:

Il freno della catena deve essere inserito all'avviamento della motosega per ridurre il rischio di contatto con la catena in rotazione.

Non avviare mai la motosega prima che la lama, la catena e tutti i carter siano correttamente montati. La frizione potrebbe staccarsi e causare danni alle persone.

Situare la macchina su una superficie fissa. Accertarsi di avere una posizione stabile e che la catena non venga a contatto con corpi estranei.

Osservare che non vi siano non addetti ai lavori nelle vicinanze.

Non avvolgere mai la cordicella di avviamento intorno alla mano.

Avviamento

Il freno della catena dev'essere inserito all'avviamento della motosega. Attivare il freno spingendo avanti la protezione anticontaccolpo. (55)

Motore freddo

Posizione di avviamento, 1: Regolare l'interruttore di avvio/arresto sulla posizione di "choke" tirando in fuori e verso l'alto il comando rosso. (56)

Pompa carburante (2): Premere ripetutamente la sacca in gomma della pompa del carburante finché il carburante non riempie la sacca (circa 6 pressioni). Non è necessario riempire completamente la sacca. (56)

Afferrare saldamente l'impugnatura anteriore con la sinistra. Porre il piede destro sulla parte inferiore dell'impugnatura posteriore e premere la motosega contro il terreno. (57)

Tirare l'impugnatura di avviamento, 3: Tirare lentamente la fune di avviamento con la destra fino a quando fa resistenza (entra in presa il dispositivo di avviamento) e tirare quindi con strappi decisi e veloci finché il motore si avvia.

Premere lo starter rosso, 4: Non appena il motore dà segno di accendersi, cioè si ode sbuffare, premere il comando rosso della valvola dell'aria.

Tirare l'impugnatura di avviamento (5): Continuare a tirare con forza il filo fino all'avviamento del motore.

Motore caldo

Posizione di avviamento, 1: Le corrette impostazioni dell'acceleratore per comando della valvola dell'aria/

avviamento si ottengono con lo spostamento iniziale del comando della valvola dell'aria tirando il comando rosso verso l'esterno e verso l'alto. (56)

Pompa carburante (2): Premere ripetutamente la sacca in gomma della pompa del carburante finché il carburante non riempie la sacca (circa 6 pressioni). Non è necessario riempire completamente la sacca. (56)

Premere lo starter rosso, 3: In questo modo si disattiva il comando dell'aria, che non serve quando si avvia una motosega calda. Tuttavia il movimento dell'interruttore di avviamento/arresto sarà innestato a seguito di un periodo di inattività, rendendo più semplice l'avviamento a caldo.

Tirare l'impugnatura di avviamento, 4: Afferrare saldamente l'impugnatura anteriore con la sinistra. Porre il piede destro sulla parte inferiore dell'impugnatura posteriore e premere la motosega contro il terreno. (57)

Tirare lentamente la fune di avviamento con la destra fino a quando fa resistenza (entra in presa il dispositivo di avviamento) e tirare quindi con strappi decisi e veloci finché il motore si avvia.

Dato che il freno della catena è ancora inserito il regime del motore deve scendere al minimo il più presto possibile, il che si ottiene disattivando il fermo del gas. A tale scopo, agire leggermente sulla leva dell'acceleratore. In questo modo si evita di usurare inutilmente la frizione, il tamburo della frizione e il nastro del freno. Far funzionare la macchina al minimo per alcuni secondi prima di accelerare a fondo.

Sul bordo posteriore (A) della motosega è presente un'indicazione di avviamento semplificata che descrive per immagini le singole fasi. (57)

N.B! Non estrarre completamente la cordicella e non lasciare la maniglia di avviamento con la cordicella estratta. Questo potrebbe danneggiare la macchina.

Osservare! Riportare il freno della catena all'impostazione iniziale spingendo la protezione anticontaccolpo verso l'impugnatura ad anello. La motosega è ora pronta per l'uso.



AVVERTENZA! L'inalazione prolungata dei gas di scarico del motore, dei vapori dell'olio della catena e della polvere di segatura può essere dannosa per la salute.

- Non avviare mai la motosega prima che la lama, la catena e tutti i carter siano correttamente montati. Vedi istruzioni alla voce Montaggio. Quando lama e catena sono smontate dalla motosega, la frizione può staccarsi e provocare seri danni.
- Il freno della catena deve essere inserito all'avviamento della motosega. Vedere le istruzioni alla sezione Avviamento e arresto. Non avviare mai la motosega facendola cadere e tenendola per la fune. Questo metodo è estremamente pericoloso, perché si perde facilmente il controllo della motosega. (55)

AVVIAMENTO E ARRESTO

- Non accendere mai la macchina in ambienti chiusi. Non dimenticate che i gas di scarico sono velenosi.
- Osservare l'ambiente circostante per escludere il rischio che persone o animali vengano a contatto con gli attrezzi di taglio.
- Tenere sempre saldamente la motosega con entrambe le mani. Tenere la mano destra sull'impugnatura posteriore e la mano sinistra su quella anteriore. **Tutti gli utenti, destri o mancini che siano, devono utilizzare questa presa.** Mantenere una presa stabile, in modo che pollici e dita circondino le impugnature della motosega.

Arresto

Il motore si ferma premendo il comando di avviamento/arresto. (59)

N.B! Il contatto di avviamento/arresto torna automaticamente in posizione di marcia. Prevenire l'avviamento involontario rimuovendo sempre il cappuccio dalla candela quando si lascia la macchina incustodita. (60)

Ad ogni utilizzo: (61)

- 1 Controllare che il freno della catena funzioni adeguatamente e che non sia danneggiato.
- 2 Controllare che la protezione posteriore della mano destra non sia danneggiata.
- 3 Controllare che il fermo dell'acceleratore funzioni adeguatamente e che non sia danneggiato.
- 4 Controllare che il contatto di arresto funzioni correttamente e sia integro.
- 5 Controllare che tutte le impugnature siano prive di olio.
- 6 Controllare che il sistema antivibrazioni funzioni e che non sia danneggiato.
- 7 Controllare che la marmitta sia ben fissa e che non sia danneggiata.
- 8 Controllare che tutti i componenti della motosega siano serrati e che non siano danneggiati o mancanti.
- 9 Controllare che il perno fermacatena sia al suo posto e che non sia danneggiato.
- 10 Controllare la tensione della catena.

Istruzioni generali di lavoro

IMPORTANTE!

Questo capitolo affronta le regole di sicurezza basilari per lavorare con una motosega. Queste informazioni non possono assolutamente sostituire l'esperienza e la professionalità di un professionista. In caso di dubbi o insicurezza consultatevi con un esperto. Rivolgetevi al vostro rivenditore, ad un officina autorizzata o un operatore competente. Evitare qualsiasi operazione per la quale non vi riteniate sufficientemente qualificati!

Prima di usare la motosega è necessario comprendere cos'è il contraccolpo e come può essere evitato. Vedi istruzioni alla voce Prevenzione del contraccolpo.

Prima di usare la motosega assicurarsi di avere capito la differenza tra il taglio con la parte inferiore e superiore della lama. Vedere le istruzioni alle sezioni Provvedimenti di prevenzione del sobbalzo e Dispositivi di sicurezza della macchina.

Usare sempre abbigliamento protettivo. Vedi istruzioni alla voce Abbigliamento protettivo.

Norme basilari di sicurezza

- 1 Osservare l'ambiente circostante:
- Per escludere la presenza di persone, animali o altro che possa interferire sul vostro controllo della macchina.
 - Per evitare che i suddetti non vengano a contatto con la catena o siano colpiti dall'albero in caduta.

N.B! Osservare quanto sopra e non lavorare mai con la motosega se non potete chiedere aiuto in caso di incidente.

- 2 Evitare di lavorare in condizioni di tempo sfavorevoli. Ad esempio nebbia, pioggia intensa, vento forte ecc. Il lavorare con tempo cattivo è spesso stancante e

comporta situazioni di rischio, come ad esempio il terreno scivoloso, cambio di direzione di caduta dell'albero ecc.

- 3 Prestare la massima cautela durante il taglio di rametti sottili ed evitare di segare i cespugli (più rametti in una volta). I rametti possono essere afferrati dalla catena, posti a rotazione e causare lesioni.
- 4 Accertarsi di poter camminare e lavorare in posizione sicura. In caso di spostamenti, controllare che non vi siano ostacoli (ceppi, radici, rami, fossati ecc.). Fare particolare attenzione lavorando su terreni in pendenza.
- 5 Usare la massima prudenza segnando alberi in tensione. Un albero in tensione può scattare indietro per riassumere la sua posizione originaria, sia prima che dopo l'operazione. Una posizione sbagliata dell'operatore o del taglio può far sì che l'albero colpisca l'operatore o la macchina in modo da fargli perdere il controllo. In entrambi i casi vi è rischio di gravi danni personali.



- 6 Fermare la catena agendo sul freno della catena e spegnere il motore prima di trasferirsi da un luogo ad un altro. Portare la motosega con lama e catena rivolte all'indietro. In caso di trasporti lunghi usare il coprilama.
- 7 Quando si appoggia la motosega a terra, bloccare la catena con il relativo freno e tenere d'occhio la macchina. Per soste più lunghe, spegnere il motore.



AVVERTENZA! A volte restano incastrate sceghe nel coperchio della frizione, causando un inceppamento della catena. Spegner sempre il motore prima della pulizia.

Regole basilari

- 1 Conoscendo il fenomeno del contraccolpo e i motivi che lo causano, è possibile eliminare il fattore "sorpresa". La sorpresa aumenta il rischio di incidenti. La maggior parte dei contraccolpi sono di entità limitata, ma possono verificarsi anche fenomeni improvvisi e molto violenti.
- 2 Impugnare saldamente la motosega con la mano destra sull'impugnatura posteriore e quella sinistra sull'anteriore. Tutte le dita devono essere ben chiuse intorno alle impugnature. Questa presa vale per tutti gli operatori, anche se mancini. In questo modo si riduce al massimo l'effetto del contraccolpo e si mantiene il controllo della motosega. **Non abbandonare ma le impugnature!**
- 3 La maggior parte degli incidenti causati da contraccolpo si verifica durante la diramatura. Accertarsi di avere una posizione stabile e che non vi siano corpi estranei sul terreno che possano farvi inciampare o perdere l'equilibrio.

Una mancanza cautela può far sì che il settore a rischio della lama incontri inavvertitamente un ramo,

un albero abbattuto o altri oggetti che potrebbero causare il contraccolpo.

Tenere d'occhio il pezzo. Se i pezzi da segare sono piccoli e leggeri, possono restare impigliati alla catena ed essere proiettati con violenza. Anche se questa situazione non è necessariamente pericolosa, potrebbe cogliervi di sorpresa e farvi perdere il controllo della motosega. Non segare mai cataste di tronchi o rami. Separarli prima del taglio. Segare un solo tronco o pezzo alla volta. Rimuovere i pezzi segati, in modo da mantenere sicura l'area di lavoro. **(62)**

4 **Non usare la motosega ad un'altezza superiore alle spalle. Non segare con la punta della lama. Non usare mai la motosega con una sola mano!** **(63)**

5 Per avere il pieno controllo della motosega è necessario assumere una posizione stabile. Non lavorare mai in piedi su una scala, su un albero o senza un piano stabile su cui stare. **(64)**

6 Tagliare sempre con un'elevata velocità della catena, cioè con il motore al massimo.

7 Fare particolare attenzione lavorando con la parte superiore della lama, cioè dalla sezione inferiore dell'oggetto. Questa tecnica è definita con catena a spingere. La catena ha la tendenza a spingere la motosega all'indietro, contro l'operatore. Se la catena resta impigliata, la motosega può essere scagliata all'indietro verso l'utente. **(65)**

8 Se l'operatore non tiene ben salda la motosega, c'è il rischio che questa si sposti all'indietro di modo che il settore a rischio della lama incontra il tronco, provocando un contraccolpo improvviso. **(66)**

Il taglio con la parte inferiore della lama, cioè dalla parte superiore dell'oggetto verso il basso, si chiama taglio con catena a tirare. La motosega viene tirata verso il tronco e il bordo anteriore del corpo della motosega diventa un appoggio naturale. Questa tecnica assicura il massimo controllo della motosega e della posizione del settore a rischio. **(67)**

9 Seguire le istruzioni di affilatura e manutenzione di lama e catena. Sostituendo la lama e la catena, utilizzare solo le combinazioni raccomandate. Vedi istruzioni alle voci Attrezzatura di taglio e Caratteristiche tecniche.

Tecnica basilare di taglio



AVVERTENZA! Non utilizzare mai una motosega tenendola con una mano sola. Una mano non è sufficiente per il controllo sicuro di una motosega. Mantenere una presa sicura e stabile delle impugnature, con entrambe le mani.

Generalità

- Tagliare sempre con il motore al massimo!
- Dopo ogni taglio decelerare il motore (l'esercizio prolungato del motore ad alti regimi senza essere sotto carico, vale a dire se la catena gira a vuoto, provoca gravi avarie).

- Tagliare dall'alto verso il basso = con la catena a tirare.
- Tagliare dal basso verso l'alto = con la catena a spingere.

La tecnica di taglio con catena a spingere implica un maggior rischio di contraccolpo. Vedi istruzioni alla voce Prevenzione del contraccolpo.

Terminologia

Taglio = Il comune taglio di un legno.

Diramatura = Si intende il taglio dei rami da un tronco abbattuto.

Taglio con rottura = Quando il tronco da tagliare si rompe prima di aver completato il taglio.

Prima di apprestarsi al taglio considerare cinque fattori di estrema importanza:

- 1 L'attrezzatura di taglio non deve bloccarsi nel taglio stesso. **(68)**
- 2 L'oggetto da tagliare non deve separarsi per rottura. **(69)**
- 3 La catena non deve andare a batter sul terreno o altri oggetti durante e alla conclusione del taglio. **(70)**
- 4 Sussiste il rischio di contraccolpo? **(4)**
- 5 Il terreno e altri fattori circostanti possono compromettere l'equilibrio della vostra posizione?

Il blocco della motosega nel taglio e la rottura del tronco da tagliare dipendono da due fattori: il sostegno dato al tronco da tagliare durante e dopo il taglio e l'eventuale tensione a cui è sottoposto.

Quanto sopra può essere evitato eseguendo il taglio in due fasi successive, da sopra e da sotto. Si tratta di neutralizzare la tendenza naturale del tronco a bloccare lama e catena o a rompersi.

IMPORTANTE! Se la motosega si blocca nel taglio: spegnere il motore! Non provare a liberare la motosega scuotendola o tirandola. Potreste ferirvi con la catena. Per liberare la motosega servitevi di una leva.

L'elenco che segue è una descrizione teorica delle situazioni più comuni che l'operatore può essere costretto ad affrontare lavorando con una motosega.

Diramatura

Per la diramatura di rami più spessi valgono gli stessi principi del taglio comune.

Eliminare i rami più difficili successivamente, pezzo per pezzo. **(71)**

TECNICA DI LAVORO

Taglio



AVVERTENZA! Non segare mai tronchi accatastati o vicini fra loro. Queste procedure aumentano sensibilmente il rischio di sobbalzo, provocando gravi lesioni o morte.

Se si dispone di una catasta di tronchi, è necessario prendere un tronco alla volta, sistemarlo su un cavalletto o simile e quindi segarlo.

Rimuovere i pezzi segati dall'area di lavoro. Lasciandoli nell'area di lavoro si corre sia un maggior rischio di sobbalzo involontario, sia il rischio di inciampare e perdere l'equilibrio durante il lavoro. (72)

Il tronco è per terra. Nessun rischio di bloccaggio della catena o di rottura del tronco. Esiste il rischio che la catena vada a colpire il terreno alla conclusione del taglio. (73)

Tagliare dall'alto verso il basso attraverso tutto il tronco. Procedere con cautela alla fine del taglio per evitare che la catena incontri il terreno. Mantenere la massima velocità della catena ma essere pronti ad affrontare eventuali sorprese. (74)

Se è possibile (si può girare il tronco?) terminare a 2/3 dello spessore del tronco.

Ruotare il tronco e tagliare la parte rimanente dall'alto verso il basso. (75)

Il tronco appoggia da una parte sola. Rischio elevato di rottura durante il taglio. (76)

Cominciare il taglio dal di sotto (circa 1/3 del diametro).

Terminare il taglio dal di sopra andando ad incontrare il taglio già eseguito. (77)

Il tronco appoggia alle due estremità. Rischio elevato che la catena si incastri. (78)

Cominciare il taglio dal di sopra (circa 1/3 del diametro).

Terminare il taglio dal di sotto andando ad incontrare il taglio già eseguito. (79)

Tecnica di abbattimento

IMPORTANTE! L'abbattimento di un albero richiede molta esperienza ed è un'operazione che un principiante deve evitare. Non eseguire alcuna operazione per la quale non vi ritenete sufficientemente qualificati!

Distanza di sicurezza

La distanza di sicurezza dall'albero da abbattere è di 2,5 volte l'altezza dell'albero stesso. Osservare che non vi siano nessuno nella zona di pericolo prima e durante l'abbattimento. (80)

Direzione di abbattimento

Scopo dell'abbattimento è di far cadere l'albero nella migliore posizione per la successiva diramatura e il sezionamento del tronco. Dev'essere possibile camminare e sostare senza pericolo.

290 – Italian

Dopo aver deciso in quale direzione far cadere l'albero, valutare la direzione naturale di caduta dell'albero.

I fattori decisivi sono:

- L'inclinazione dell'albero
- La sua curvatura
- La direzione del vento
- La concentrazione di rami
- Il peso della neve eventualmente accumulata
- Ostacoli nel raggio di azione dell'albero: per esempio altri alberi, linee elettriche, strade ed edifici.
- Controllare se il tronco presenta danni o segni di decomposizione per i quali l'albero potrebbe cedere e cadere prima del previsto.

Può darsi che risulti necessario far cadere l'albero lungo la sua direzione naturale di caduta, in quanto cercare di farlo cadere in un'altra direzione potrebbe essere impossibile o troppo pericoloso.

Un altro fattore importante da non trascurare, che non influisce sulla direzione di caduta ma che riguarda la vostra sicurezza personale, è la presenza di rami morti o spezzati che potrebbero staccarsi durante l'abbattimento e rappresentare un pericolo.

Evitare che un albero in caduta vada ad impigliarsi in un'altro. Far cadere un albero che si è impigliato è un'operazione molto pericolosa sussiste un grave pericolo di incidenti. Vedi istruzioni alla voce Movimentazione di un abbattimento mal riuscito. (81)

IMPORTANTE! Durante operazioni di abbattimento critiche, sollevare immediatamente le protezioni acustiche dopo il taglio, in modo da poter percepire rumori insoliti ed eventuali segnali di avvertimento.

Diramatura prima del taglio e percorso di ritirata

Sramare il tronco fino all'altezza delle spalle. La tecnica più sicura è lavorare dall'alto verso il basso, tenendo il tronco fra se stessi e la motosega. (82)

Eliminare la vegetazione bassa intorno all'albero e osservare eventuali ostacoli (pietre, radici, fosse ecc.) in modo da avere un percorso di ritirata senza ostacoli. Il percorso dovrebbe essere a circa 135° all'indietro rispetto alla direzione di caduta del tronco. (83)

- 1 Zona di rischio
- 2 Via di fuga
- 3 Direzione di abbattimento

Abbattimento



AVVERTENZA! Sconsigliamo agli operatori meno esperti di abbattere un albero con una lama più corta del diametro del tronco!

Per l'abbattimento eseguire tre tagli. Prima di tutto il taglio direzionale che si compone di taglio superiore e taglio inferiore, e quindi il taglio di abbattimento. La posizione

TECNICA DI LAVORO

corretta di questi tre tagli assicura un perfetto controllo della direzione di caduta.

Taglio direzionale

Dovendo eseguire il taglio direzionale, iniziare dal taglio superiore. Seguendo i segni direzionali della motosega (1), puntare contro un obiettivo sul terreno nella direzione in cui si intende abbattere l'albero (2). Posizionarsi a destra dell'albero, dietro la motosega, e segare con la catena a traino.

Eseguire poi la parte inferiore del taglio direzionale che deve andare a finire esattamente alla fine della parte superiore. (84)

La profondità del taglio direzionale deve essere di 1/4 del diametro del tronco, con un angolo tra il taglio superiore e quello inferiore di almeno 45°.

L'incontro tra i due tagli è chiamato linea del taglio direzionale. La linea deve essere perfettamente orizzontale e ad angolo retto (90°) rispetto alla direzione di caduta. (85)

Taglio di abbattimento

Sull'altro lato effettuare il taglio di abbattimento, appena al di sopra della linea del taglio direzionale. Stare sulla sinistra dell'albero e tagliare con la catena a tirare.

Posizionare il taglio di abbattimento 3-5 cm (1,5-2") sopra il piano della linea del taglio direzionale. (86)

Inserire l'appoggio per la corteccia dietro il fulcro (se è stato montato l'apposito dispositivo). Lavorare a pieno gas e far avanzare la catena/lama lentamente nel tronco. Controllare che l'albero non si muova in direzione opposta a quella prevista per la caduta. Inserire un cuneo di abbattimento o un grimaldello non appena possibile.

Il taglio di abbattimento deve finire parallelo alla linea del taglio direzionale, con una distanza tra i due di almeno 1/10 del diametro del tronco. La parte di tronco non tagliata è il fulcro.

Il fulcro è la cerniera che guida l'albero nella sua caduta. (87)

Se il fulcro è insufficiente, se è stato segato completamente o se il taglio direzionale è male eseguito, non è possibile controllare la caduta dell'albero. (88)

Non appena il taglio direzionale e quello di abbattimento sono completati, l'albero deve cominciare a cadere, da solo o con l'aiuto di un cuneo di abbattimento o di un grimaldello. (89)

Si raccomanda l'utilizzo di una lama di lunghezza superiore al diametro del tronco, in modo che tagli di abbattimento e direzionali possano essere eseguiti in un'unica operazione. Vedere le istruzioni alla sezione Dati tecnici in merito alla lunghezza della lama raccomandata per la motosega.

Vi sono metodi per abbattere alberi con lame più corte del diametro del tronco. Questi metodi aumentano però in modo considerevole il rischio di contraccolpo. (4)

Movimentazione di un abbattimento mal riuscito

Abbattimento di un albero impigliatosi in un altro.

Far cadere un albero che si è impigliato è un'operazione molto pericolosa sussiste un grave pericolo di incidenti.

Non segare mai un albero su cui sia caduto un altro albero.

Non lavorare mai nell'area di pericolo intorno ad alberi semicaduti e rimasti in sospeso. (90)

Il metodo più sicuro è di usare un argano.

- Montato sul trattore
- Manuale

Taglio di tronchi e rami in tensione

Preparativi: Giudicare verso quale direzione tende a muoversi la tensione e dove si trova il punto di rottura (vale a dire il punto dove si romperebbe se aumentasse la tensione). (91)

Valutare come alleggerire la tensione e se pensate di riuscirci. In casi più complessi la soluzione migliore è di rinunciare al taglio e di lavorare con un argano.

In generale:

Mettetevi in modo tale da non essere colpiti dall'albero/ramo quando si libera dalla tensione. (92)

Eseguire uno o più tagli su o in prossimità del punto di rottura. I tagli devono essere di profondità tale da liberare la tensione e ottenere la rottura proprio nel punto di rottura. (93)

Non tagliare mai completamente un ramo o un tronco in tensione!

Se è necessario praticare un taglio passante nell'albero/ramo, eseguire due o tre tagli di profondità di 3-5 cm a intervalli di 3 cm. (94)

Praticare tagli sempre più profondi finché non si allenta la tensione dell'albero/ramo. (95)

Segare l'albero/ramo dal lato opposto, dopo aver tolto la tensione.

Prevenzione del contraccolpo



AVVERTENZA! Il contraccolpo è un fenomeno improvviso e violento che fa impennare motosega, lama e catena contro l'operatore. Se la catena è in movimento e colpisce l'operatore può provocare lesioni anche mortali. È importante capire come si verifica il contraccolpo e come sia possibile evitarlo con una corretta tecnica di lavoro e un'adeguata prudenza.

Che cos'è il contraccolpo?

Il contraccolpo è un movimento violento che fa impennare la motosega e la lama verso l'operatore,

TECNICA DI LAVORO

quando la lama incontra un oggetto con la parte superiore della punta, il settore a rischio di contraccolpo. (66)

Il contraccolpo avviene sempre lungo il piano di taglio della lama. Di solito il movimento di motosega e lama è verso l'alto e verso l'operatore. Possono tuttavia verificarsi altre situazioni a seconda della posizione della motosega nel momento in cui il settore a rischio viene a contatto con un corpo estraneo. (7)

Il contraccolpo può verificarsi solo quando il settore "a rischio" della lama incontra un oggetto. (4)

Diramatura



AVVERTENZA! La maggioranza degli incidenti per sobbalzo si verifica durante la sramatura. Non utilizzare il settore a rischio di sobbalzo della lama. Prestare la massima cautela ed evitare che la punta della lama venga a contatto con tronco, altri rami o corpi estranei. Prestare la massima cautela a rami in tensione. Possono rimbalzare in direzione dell'utente, provocando la perdita del controllo della macchina e gravi danni.

Accertarsi di avere una posizione stabile! Lavorare dal lato sinistro del tronco, con il corpo vicino alla motosega. Non appena possibile appoggiare tutto il peso del corpo al tronco.

Spostarsi solo con il tronco tra voi e la motosega.

Taglio di un tronco in sezioni

Vedi istruzioni alla voce Tecnica basilare di taglio.

Generalità

L'utilizzatore può eseguire solo le operazioni di manutenzione e assistenza descritte in questo manuale delle istruzioni. Per operazioni di maggiore entità rivolgersi ad un'officina autorizzata.

Regolazione del carburatore

Il vostro prodotto Husqvarna è stato fabbricato e prodotto in base a norme che permettono di ridurre le emissioni di scarico dannose.

Funzionamento

- Attraverso l'acceleratore, il carburatore regola il regime del motore. La miscela aria/benzina avviene nel carburatore. Tale miscela è regolabile. Per poter sfruttare al meglio la potenza della macchina, la regolazione del carburatore deve essere corretta.
- La vite T regola la posizione dell'acceleratore al minimo. Avvitando in senso orario il regime del minimo si alza, mentre agendo in senso antiorario il regime di giri del motore al minimo si abbassa.

Regolazione primaria del carburatore e rodaggio

Il carburatore è messo a punto al collaudo in fabbrica. La registrazione definitiva dev'essere eseguita da una persona competente.

Regime consigliato con motore al minimo: Vedi istruzioni alla voce Caratteristiche tecniche.

Regolazione finale del minimo T

La regolazione del minimo viene eseguita con la vite T. Se necessario, avvitare la vite T in senso orario e a motore in moto fino a quando la catena comincia a girare. Svitare poi in senso antiorario fino a che la catena non si fermi. Il minimo è correttamente regolato quando il motore gira regolarmente in ogni posizione e con buon margine prima che la catena cominci a girare.



AVVERTENZA! Se il minimo non può essere regolato in modo da avere la catena ferma contattare l'officina per l'assistenza. Non usare la motosega prima di aver eseguito le necessarie riparazioni.

Regolazione corretta del carburatore

Il carburatore è correttamente regolato quando la macchina accelera senza esitare e la macchina "zoppica" appena a pieno gas. Inoltre la catena è ferma al minimo. Se l'ugello L ha una miscelazione troppo povera, il motore ha difficoltà di avviamento e accelerazione. Una regolazione troppo povera dell'ugello H implica meno potenza, una cattiva accelerazione e/o danni al motore.

Controllo, manutenzione e servizio dei dispositivi di sicurezza della motosega

Osservare! Per l'assistenza e la riparazione della macchina occorre una formazione specifica. Quanto detto vale in particolare per i dispositivi di sicurezza della macchina. Se la macchina non supera anche uno solo dei seguenti controlli, si raccomanda di rivolgersi al centro di assistenza.

Freno della catena con protezione anticontraccolpo

Controllo dell'usura del nastro del freno



Pulire il freno e il tamburo della frizione eliminando segatura, resina e sporco. Lo sporco e l'usura influiscono sul funzionamento del freno. (96)

Controllare con regolarità che la fascia frenante abbia almeno uno spessore di 0,6 mm nel punto di maggiore usura.

Controllo della protezione anticontraccolpo



Controllare che la protezione sia integra e senza difetti evidenti, come lesioni del materiale.

Spostare la protezione avanti e indietro per verificare che si muova liberamente e che sia ben ancorata nel coperchio della frizione.

Controllo dell'automatismo ad inerzia



Tenere la motosega, a motore spento, su un ceppo o altro oggetto stabile. Rilasciare l'impugnatura anteriore e lasciare cadere la motosega per gravità, in rotazione attorno all'impugnatura posteriore, in direzione del ceppo. (97)

La punta della lama battendo contro il ceppo deve far scattare il freno della catena. (98)

Controllo dell'effetto frenante

Mettere in moto e appoggiare la motosega su una base stabile. Evitare che la catena venga a contatto con il terreno o con corpi estranei. Vedi indicazioni alla voce Avviamento e arresto. (99)

Reggere l'impugnatura con entrambe le mani, secondo quanto indicato in figura.

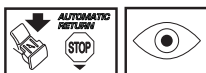
Accelerare al massimo e attivare il freno della catena girando il polso sinistro verso la protezione anticontraccolpo. Non lasciare l'impugnatura anteriore. **La catena deve bloccarsi immediatamente. (58)**

Fermo del gas



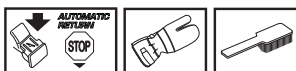
- Controllare che l'acceleratore sia bloccato sul minimo quando il fermo è in posizione di riposo. (100)
- Premere sul fermo del gas e controllare che ritorni in posizione di riposo non appena viene rilasciato. (101)
- Controllare che acceleratore e fermo del gas si muovano liberamente e che le molle di richiamo funzionino a dovere. (102)
- Mettere in moto e accelerare al massimo. Rilasciare l'acceleratore e controllare che la catena si fermi e rimanga ferma. Se la catena si muove con l'acceleratore al minimo controllare la regolazione del minimo del carburatore.

Fermo della catena



Controllare che il fermo della catena sia integro e ben montato nel corpo della motosega. (103)

Protezione della mano destra



Controllare che la protezione della mano destra sia integra e senza difetti apparenti, quali lesioni del materiale. (11)

Sistema di smorzamento delle vibrazioni



Controllare con regolarità che gli smorzatori non siano deformati o lesi. Controllare che gli smorzatori siano correttamente ancorati tra gruppo motore e gruppo impugnature. (104)

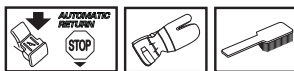
Interruttore di arresto



Mettere in moto e controllare che il motore si spenga portando l'interruttore in posizione di arresto. (59)

N.B! Il contatto di avviamento/arresto torna automaticamente in posizione di marcia. Prevenire l'avviamento involontario staccando sempre il cappuccio dalla candela prima di effettuare operazioni di montaggio, controllo e/o manutenzione.

Marmitta



Non usare mai la macchina se la marmitta è in cattive condizioni.

Controllare con regolarità che la marmitta sia ben fissa nella macchina. (105)

Alcune marmitte sono dotate di una speciale retina parascintille. Se la macchina è dotata di una marmitta di questo tipo, è consigliabile pulire la retina una volta alla settimana. Per un risultato ottimale usare una spazzola di acciaio. Una rete intasata comporta surriscaldamento del motore con conseguenti danni allo stesso.

Osservare! Se la retina è danneggiata, va sostituita immediatamente. Se la retina è ostruita la macchina si surriscalda, danneggiando cilindro e pistone. Non usare la macchina se la marmitta è in cattive condizioni. **Non usare mai una marmitta con la retina danneggiata o senza retina.** (13)

La marmitta è dimensionata in modo da diminuire la rumorosità e per allontanare i gas di scarico dall'operatore. I gas di scarico sono caldi e possono contenere scintille, pericolose in presenza di materiale infiammabile.

Dispositivo di avviamento



AVVERTENZA! La molla di ritorno è in tensione nella sede del dispositivo di avviamento e può, procedendo in modo incauto, causare danni alla persona.

Sostituire la molla di avviamento o la cordicella con la massima cautela. Indossare occhiali e guanti protettivi.

Sostituzione della cordicella



- Smontare il dispositivo di avviamento togliendo le viti che lo fermano al blocco motore e sollevarlo. (106)
- Estrarre circa 30 cm di corda e sollevarla nella traccia sul bordo del disco portacorda. Scaricare la molla facendo girare lentamente all'indietro il disco. (107)
- Rimuovere la ruota del menabrida (A), la molla del menabrida (B) e la bobina (C) dopo aver svitato la vite al centro di quest'ultima. Inserire e fissare una nuova cordicella nella bobina. Fare compiere alla cordicella 3 giri intorno alla bobina. Montare la bobina sulla molla di ritorno (D) in modo da agganciare l'estremità della molla alla bobina. Montare quindi la molla del menabrida, la ruota del menabrida e la vite al centro della bobina. Infilare la cordicella nel foro del dispositivo di avviamento e dell'impugnatura di avviamento. Fare quindi un nodo stretto alla cordicella. (108)

MANUTENZIONE

Messa in tensione della molla

- Sollevare la cordicella dal foro sul disco e girare quindi il disco di circa 2 giri in senso orario.

Osservare! Controllare che il disco portacorda possa essere fatto girare ancora 1/2 giro con la cordicella completamente estratta. (109)

Tendere la cordicella con l'impugnatura. Spostare il pollice e rilasciare la cordicella. Vedere la seguente figura. (110)

Sostituzione delle molle di ritorno e del menabrida



Molla di ritorno (A)

- Sollevare il disco portacorda. Vedere istruzioni alla voce Sostituzione di cordicella rotta o usurata. Notare che la molla di ritorno è in tensione nella sede del dispositivo di avviamento.
- Smontare la cassetta con la molla di ritorno dal dispositivo di avviamento.
- Lubrificare la molla di ritorno con olio fine. Montare la cassetta con la molla di ritorno nel dispositivo di avviamento. Montare il disco portacorda e tendere la molla di ritorno.

Molla del menabrida (B)

- Rimuovere la ruota del menabrida e la molla del menabrida dopo aver svitato la vite al centro della bobina.
- Sostituire la molla del menabrida e montare su di essa la ruota del menabrida. (111)

Montaggio del dispositivo di avviamento

- Rimontare il dispositivo facendo prima passare la cordicella e poi montando il dispositivo a posto contro il carter motore. Rilasciare poi lentamente la cordicella in modo che i ganci facciano presa nel disco portacorda.
- Rimontare e stringere le viti.

Filtro dell'aria



Pulire regolarmente il filtro dell'aria per evitare :

- Disturbi di carburazione
- Problemi di messa in moto
- Riduzione della potenza sviluppata
- Inutile usura dei componenti del motore
- Consumi più elevati.

- Per smontare il filtro sollevare il coperchio del cilindro. Al montaggio controllare che il filtro chiuda bene contro la sua sede. Scuotere o spazzolare il filtro. (112)

Per una pulizia più accurata lavare il filtro in acqua saponata.

Il filtro non ritorna mai completamente pulito. Pertanto va sostituito periodicamente con uno nuovo. **Un filtro danneggiato va sostituito immediatamente.**

Una motosega HUSQVARNA può venir dotata di filtri dell'aria di diverso tipo, a seconda dell'ambiente di lavoro, delle condizioni climatiche, della stagione ecc. Consigliatevi con il vostro rivenditore.

Candela



Lo stato della candela dipende da:

- Carburatore non tarato.
- Miscela carburante/olio non corretta (quantità eccessiva di olio oppure olio non idoneo).
- Filtro dell'aria ostruito .

Questi fattori causano depositi sull'elettrodo della candela, e conseguenti disturbi di funzionamento e di messa in moto.

Se la macchina ha potenza insoddisfacente, difficoltà di messa in moto o il minimo irregolare, controllare innanzitutto la candela. Se questa è incrostata, pulirla e controllare la distanza tra gli elettrodi, che deve essere 0,5 mm. La candela andrebbe cambiata di regola dopo circa un mese di esercizio o prima se necessario. (113)

Osservare! Usare candele originali o di tipo raccomandato! Altre candele possono danneggiare cilindro e pistone. Controllare che la candela sia munita di dispositivo di soppressione interferenze radio.

Lubrificazione del cuscinetto



Il tamburo della frizione è dotato di un cuscinetto a rullini sull'albero di uscita. Questo cuscinetto a rullini deve essere lubrificato regolarmente.

Per l'ingrassaggio, smontare il carter della frizione allentando i due dadi della lama. Appoggiare la motosega di lato, in posizione orizzontale, con il tamburo della frizione rivolto verso l'alto.

Per l'ingrassaggio, applicare olio motore a gocce in corrispondenza del centro del tamburo della frizione e, contemporaneamente, farlo ruotare. (114)

Sistema di raffreddamento



La macchina è dotata di sistema di raffreddamento per mantenere al minimo la temperatura di esercizio.

Il sistema è costituito da:

- 1 Presa dell'aria nel dispositivo di avviamento.
- 2 Collettore dell'aria.
- 3 Alette di ventilazione sul volano.
- 4 Flange di raffreddamento sul cilindro.
- 5 Coperchio del cilindro (convoglia l'aria di raffreddamento verso il cilindro). **(115)**

Pulire il sistema di raffreddamento con una spazzola una volta la settimana, più spesso se necessario. Se il sistema di raffreddamento è sporco o ostruito provoca il surriscaldamento della macchina, con conseguenti danni a cilindro e pistone.

Depurazione centrifuga dell'aria "Air Injection"

Con la depurazione centrifuga l'aria destinata al carburatore viene aspirata attraverso il dispositivo di avviamento. Lo sporco e la polvere vengono eliminati per centrifugazione dalla ventola. **(116)**

IMPORTANTE! Per mantenere sempre un livello ottimale di funzionamento della depurazione centrifuga, il sistema va pulito agli intervalli indicati. Pulire la presa dell'aria sul dispositivo di avviamento, le alette del volano, lo spazio intorno al volano, il condotto di aspirazione e il vano del carburatore.

Esercizio invernale

Utilizzando la macchina a temperature rigide oppure quando nevica, possono verificarsi anomalie dovute a:

- Temperatura del motore troppo bassa.
- Formazione di ghiaccio sul filtro dell'aria e nel carburatore.

Sono necessarie pertanto misure particolari quali:

- La riduzione parziale del volume di aria aspirata, aumentando la temperatura di esercizio del motore.

Temperatura inferiore a -5°C:



Per l'esercizio invernale e in presenza di neve farinosa, è disponibile un coperchio speciale da montarsi sul dispositivo di avviamento. In questo modo si riduce il volume dell'aria di raffreddamento e si impedisce l'aspirazione della neve. **(117)**

N.B! Qualora siano state apportate le modifiche per l'esercizio invernale, la macchina va riportata alle condizioni di lavoro originarie operando a temperatura ambiente normale. Altrimenti si provoca il surriscaldamento del motore e conseguenti avarie di grave entità.

IMPORTANTE! Tutta la manutenzione e gli interventi non previsti nel presente manuale devono essere eseguiti da personale specializzato (il rivenditore).

MANUTENZIONE

Schema di manutenzione

Qui di seguito troverete una lista delle operazioni di manutenzione da eseguire sulla macchina. La maggior parte dei punti è descritta al capitolo Manutenzione.

Manutenzione giornaliera	Manutenzione settimanale	Manutenzione mensile
Pulire le parti esterne della macchina.	Controllare il sistema di raffreddamento ogni settimana.	Controllare l'usura del nastro del freno della catena. Sostituire quando il punto più usurato presenta una spessore inferiore a 0,6 mm.
Controllare che i componenti del comando del gas funzionino in modo sicuro (fermo del gas e acceleratore).	Controllare dispositivo di avviamento, cordingella e molla di ritorno.	Controllare l'usura del centro, della molla e del tamburo della frizione.
Pulire il freno della catena e controllarne il funzionamento dal punto di vista della sicurezza. Controllare che il fermo della catena sia integro e sostituire se necessario.	Controllare che gli elementi di smorzamento delle vibrazioni non siano danneggiati.	Pulire la candela. Controllare che l'elettrodo abbia una distanza di 0,5 mm.
Girare la lama regolarmente per garantire un'usura uniforme. Controllare che il foro di lubrificazione nella lama non sia ostruito. Pulire la scanalatura della catena.	Ingrassare il cuscinetto della frizione.	Pulire esternamente il carburatore.
Controllare che lama e catena siano sufficientemente lubrificate.	Limare eventuali irregolarità sui lati della lama.	Controllare il filtro del carburante e il tubo di alimentazione. Sostituire se necessario.
Controllare se rivetti e anelli della catena presentano crepe superficiali, se la catena è rigida oppure se rivetti e anelli sono usurati in modo anomalo. Sostituire all'occorrenza.	Pulire o sostituire la retina parascintille della marmitta.	Svuotare e pulire internamente il serbatoio del carburante.
Affilare la catena e controllarne lo stato e la tensione. Controllare che la ruota motrice della catena non sia particolarmente consumata, sostituire se necessario.	Pulire la zona del carburatore.	Svuotare e pulire internamente il serbatoio dell'olio.
Pulire la presa d'aria del dispositivo di avviamento.	Pulire il filtro dell'aria. Sostituire se necessario.	Controllare tutti i cavi e i collegamenti.
Controllare che dadi e viti siano ben serrati.		
Controllare che l'interruttore d'arresto funzioni.		
Controllare che non ci siano perdite di carburante nel motore, nel serbatoio o nei flessibili carburante.		
Controllare che la catena non giri quando il motore è al minimo.		

CARATTERISTICHE TECNICHE

Caratteristiche tecniche

	435 II	435e II	440 II	440e II
Motore				
Cilindrata, cm ³	40,9	40,9	40,9	40,9
Alesaggio, mm	41	41	41	41
Corsa, mm	31	31	31	31
Regime del motore al minimo, giri/min	2900	2900	2900	2900
Potenza, KW	1,6/9000	1,6/9000	1,8/9000	1,8/9000
Sistema di accensione				
Candela	NGK BPMR 7A/ Champion RCJ 7Y	NGK BPMR 7A/ Champion RCJ 7Y	NGK BPMR 7A/ Champion RCJ 7Y	NGK BPMR 7A/ Champion RCJ 7Y
Distanza all'elettrodo, mm	0,5	0,5	0,5	0,5
Carburante, lubrificazione				
Capacità serbatoio carburante, litri	0,37	0,37	0,37	0,37
Capacità pompa dell'olio a 9000 giri/min, ml/min	13	13	13	13
Capacità serbatoio olio, litri	0,25	0,25	0,25	0,25
Tipo di pompa dell'olio	Automatico	Automatico	Automatico	Automatico
Peso				
Motosega senza lama e catena, a secco, kg	4,2	4,4	4,2	4,4
Emissioni di rumore (vedi nota 1)				
Livello potenza acustica, misurato dB(A)	112	112	113	113
Livello potenza acustica, garantito L _{WA} dB(A)	114	114	114	114
Livelli di rumorosità (vedi nota 2)				
Livello di pressione acustica equivalente, all'udito dell'utente, dB(A)	102	102	102	102
Livelli equivalenti di vibrazione, a_{hveq} (vedi nota 3)				
Impugnatura anteriore, m/s ²	2,5	2,5	2,5	2,5
Impugnatura posteriore, m/s ²	3,2	3,2	3,2	3,2
Lama/catena				
Lama di lunghezza standard, pollici/cm	13"/33	13"/33	13/33	13"/33
Lunghezze raccomandate della lama, pollici/cm	13-18/33-45	13-18/33-45	13-18/33-45	13-18/33-45
Lunghezza di taglio effettiva, pollici/cm	12-17/31-43	12-17/31-43	12-17/31-43	12-17/31-43
Partitura, pollici/mm	0,325/8,25	0,325/8,25	0,325/8,25	0,325/8,25
Spessore della maglia di trazione, pollici/mm	0,050/1,3	0,050/1,3	0,050/1,3	0,050/1,3
Tipo di puleggia/numero di denti	Spur/7	Spur/7	Spur/7	Spur/7
Velocidade da corrente a 133% da velocidade máxima de potência do motor, m/s.	23,1	23,1	23,1	23,1

Nota 1: Emissione di rumore nell'ambiente misurato come potenza acustica (L_{WA}) in base alla direttiva CE 2000/14/CE.

Nota 2: il livello di pressione acustica equivalente, ai sensi della norma ISO 22868, è calcolato come la quantità di energia, in media ponderata rispetto al tempo, dei livelli di pressione acustica a diverse condizioni di esercizio. La dispersione statistica tipica del livello di pressione acustica equivalente è una deviazione standard di 1 dB (A).

Nota 3: il livello di vibrazioni equivalente, ai sensi della norma ISO 22867, è calcolato come la quantità di energia, in media ponderata rispetto al tempo, dei livelli di vibrazione a diverse condizioni di esercizio. I dati riportati per il livello di vibrazione equivalente hanno una dispersione statistica tipica (deviazione standard) di 1 m/s².


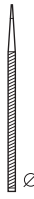
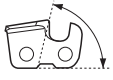
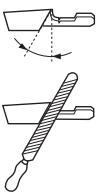

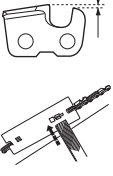
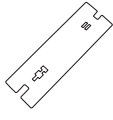

CARATTERISTICHE TECNICHE

Combinazioni di lama e catena

I seguenti gruppi di taglio sono approvati per i modelli Husqvarna 435 II, 435e II, 440 II e 440e II.

Lama				Catena	
Lunghezza, pollici	Partitura, pollici	Larghezza della scanalatura, mm	Numero max di denti sul puntale a rocchetto	Tipo	Lunghezza dei giunti di azionamento (pz)
13	0,325	1,3	10T	Husqvarna H30	56
15					64
16					66
18					72

Affilatura della catena e affilatori

							
	inch/mm				inch/mm		
H30	3/16 / 4,8	85°	30°	10°	0,025 / 0,65	5056981-00	5056981-08

Dichiarazione di conformità CE

(Solo per l'Europa)

La Husqvarna AB, SE-561 82 Huskvarna, Svezia, tel.: +46-36-146500, dichiara con la presente che le motoseghe per lavori di selvicoltura Husqvarna 435 II, 435e II, 440 II e 440e II a partire dai numeri di serie del 2013 (l'anno viene evidenziato nel marchio di fabbrica ed è seguito da un numero di serie) sono conformi alle disposizioni della DIRETTIVA DEL CONSIGLIO:

- del 17 maggio 2006 "sulle macchine" **2006/42/CE**.
- del 15 dicembre 2004 "sulla compatibilità elettromagnetica" **2004/108/CE**.
- dell'8 maggio 2000 "sull'emissione di rumore nell'ambiente" **2000/14/CE**.

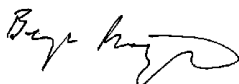
Per informazioni relative alle emissioni di rumore, vedi capitolo Dati tecnici. Sono state applicate le seguenti norme: **EN ISO 12100:2010, ISO 14982:2009, EN ISO 11681-1:2011**

Organo competente: **0404, l'SMP Svensk Maskinprovning AB**, Box 7035, SE-750 07 Uppsala, Svezia, ha eseguito il controllo-tipo CE in base alla direttiva sulle macchine (2006/42/CE) articolo 12, punto 3b. I certificati-tipo CE in base all'allegato IX, portano i numeri: **0404/09/2012** - 435 II, 435e II, 440 II, 440e II.

Inoltre l'SMP, svensk Maskinprovning AB, Box 7035, SE-750 07 Uppsala, Svezia, ha confermato la dichiarazione di conformità all'allegato V della direttiva del consiglio dell'8 maggio 2000 "sull'emissione di rumore nell'ambiente" 2000/14/CE. I certificati portano il numero: **01/161/075** - 435 II, 435e II, **01/161/074** - 440 II, 440e II.

La motosega consegnata è conforme all'esemplare sottoposto al controllo-tipo CE.

Huskvarna, 8 aprile 2013



Bengt Frögelius, Responsabile ricerca e sviluppo Motosega (Rappresentante autorizzato per Husqvarna AB e responsabile della documentazione tecnica.)

SÜMBOLITE TÄHENDUS

Sümbolid seadmel:

ETTEVAATUST! Kettsaed võivad olla ohtlikud! Hooletu või vale kasutamisaad võivad tekitada operaatorile või teistele tõsiseid ja isegi surmavaid kehavigastusi.

Loe käsitemisõpetus põhjalikult läbi, et kõik eeskirjad oleksid täiesti arusaadavad, enne kui seadet kasutama hakkad.

Kasuta alati:

- Heakskiidetud kaitsekiivrit
- Heakskiidetud kõrvaklappe
- Kaitseprillid või näokaitse

Seade vastab EL kehtivatele direktiividele.

Ümbristesvasse keskkonda leviv müra vastavalt Euroopa Ühenduse direktiivile. Andmed seadme emissiooni kohta on toodud peatükis Tehnilised andmed ja etiketil.

Süüde; õhuklapp: Vii käivitusgaasiregulaator asendisse "choke". Seiskamisüliti läheb seejuures automaatselt käivitusasendisse.

Kütuse tankimine.

Ketiõli lisamine.

Kütusepump.

Õlipumba reguleerimine.

Ketipidur, aktiveeritud (parempoolne)
ketipidur, aktiveerimata (vasakpoolne).

Ülejäänud seadmel toodud sümbolid/tähised vastavad erinevates riikides kehtivatele sertifitseerimisnõuetele.



Sümbolid käsitemisõpetuses:

Kontrolli ja/või hooldust tuleb teha välja lülitatud mootoriga. TÄHELEPANU!

Start / Stopp kontakt läheb automaatselt tagasi töösandisse. Soovimatu käivitumise vältimiseks tuleb seetõttu monteerimise, kontrolli ja/või hoolduse ajaks alati piip küünlalt eemaldada.



Kasuta alati heakskiidetud kaitsekindaid.



Korrapärane puhastus vajalik.



Visuaalne kontroll.



Kanna kaitseprille või näokaitset.



Kütuse tankimine.



Õli lisamine ja õlivoolu reguleerimine.



Kettsae käivitamisel peab ketipidur olema sisselülitatud.



ETTEVAATUST! Kui saelati ots puutub millegi vastu, tekib sellele vastumõju, mis võib lüüa saelati tahapoole ja üles ja sellest võib tekkida tagasilöökk. See võib tuua kaasa tõsiseid vigastusi.



Sisukord

SÜMBOLITE TÄHENDUS

Sümbolid seadmel:	300
Sümbolid käsitsemisõpetuses:	300

SISUKORD

Sisukord	301
----------------	-----

SISSEJUHATUS

Lugupeetud tarbijal	302
---------------------------	-----

MIS ON MIS?

Kettsae detailide paiknemine	302
------------------------------------	-----

ÜLDISED OHUTUSEESKIRJAD

Meetmed uue kettsae kasutamisele võtmisel	303
Tähtis	303
Toimige alati arukalt	304
Isiklik ohutusvarustus	304
Seadme ohutusvarustus	304
Lõikeseade	306

KOOSTAMINE

Juhtplaadi ja keti paigaldamine	309
---------------------------------------	-----

KÜTUSE KÄSITSEMINE

Küttesegu	310
Tankimine	311
Ohutusnõuded kütuse käsitsemisel	311

KÄIVITAMINE JA SEISKAMINE

Käivitamine ja seiskamine	312
---------------------------------	-----

TÖÖVÕTTED

Enne kasutamist tuleb alati:	313
Üldised tööeeskirjad	313
Tagasiviskumise vältimine	316

HOOLDUS

Üldised näpunäited	317
Karburaatori seadistamine	317
Kettsae ohutusvarustuse kontroll, korrashoid ja hooldus	317
Summuti	318
Käiviti	318
Õhufilter	319
Süüteküünlad	319
Nõellaagri määrimine	319
Jahutussüsteem	319
Tsentrifugaalpuhustus "Air injection"	320
Töötamine talvel	320
Hoolduskeem	321

TEHNILISED ANDMED

Tehnilised andmed	322
Juhtplaadi ja keti kombinatsioonid	323
Saeketi teritamine ja teritusmallid	323
EÜ kinnitus vastavusest	323

SISSEJUHATUS

Lugupeetud tarbija!

Õnnitleme teid, et olete valinud Husqvarna toote! Husqvarna ajalugu algab juba aastast 1689, kui kuningas Karl XI käsul rajati Huskvarna jõe äärde tehase tahtpüsside valmistamiseks. Asukoht Huskvarna jõe ääres oli üsnagi loogiline, sest see võimaldas tootmiseks kasutada vee jõudu. Husqvarna tehase enam kui 300-aastase tegutsemisaja kestel on seal toodetud väga erinevaid tooteid alates puupliitidest kuni moodsate köögiseadmete, õmblusmasinate, jalgrataste ja mootorratasteni välja. 1956. aastal tuli välja Husqvarna esimene mootori jõul töötav muruniiduk, kolme aasta möödudes – aastal 1959 – järgnes sellele mootorsaag. Samas valdkonnas töötab Husqvarna ka täna.

Täna on Husqvarna maailma juhtivaid aiandus- ja metsandustoodete tootjaid, kes seab esikohale seadmete kvaliteedi ja tehnilised näitajad. Meie äriidee on toota, arendada ja turustada mootori jõul töötavaid seadmeid aianduse, metsanduse ja ehituse ning tööstuse jaoks. Husqvarna eesmärk on luua seadmeid, mis on esirinnas ja sellepärast ongi meie seadmetele iseloomulikud mitmed kasulikud lahendused, mis tagavad seadmete ergonoomilisuse, kasutajasõbralikkuse, turvalisuse, keskkonnasõbralikkuse ja tõhususe.

Me oleme veendunud, et te hindate kõrgelt meie toodete kvaliteeti ja tehnilisi näitajaid, ning seda ka tulevikus. Kui te ostate meie toote, on teile tagatud professionaalne abi nii seadmete hooldamise kui parandamise osas. Kui seadme müüja juures pole volitatud töökoda, küsige, kus on meie lähim volitatud töökoda.

Me loodame, et jäite oma ostuga rahule ja sellest saab teie hea abimees pikkadeks aastateks. Ärge unustage, et seadme kasutusjuhend on väärtuslik abimees. See aitab teid oluliselt oma seadme tööiga pikendada, kui te järgite neid soovitusi, mis on juhendis toodud seadme hooldamise, korrastamise ning parandamise kohta. Kui te kord müüte selle seadme ära, andke sellega uuele omanikule kaasa ka kasutusjuhend.

Täname, et te valisite endale kasutamiseks Husqvarna toote!

Husqvarna AB töötab pidevalt oma toodete edasiarendamise alal ja jätab seetõttu endale õiguse teha muuhulgas muudatusi toodete kuju ja välismuse osas.

Kettsae detailide paiknemine (1)

- 1 Silindri kate
- 2 Kütusepump.
- 3 Käivituse meeldetuletus
- 4 Kombineeritud käivitamine ja stoppkontakt
- 5 Tagumine käepide
- 6 Teavitamis- ja hoiatustähised.
- 7 Kütusepaak
- 8 Karburaatori reguleerimiskruvid
- 9 Käiviti käepide
- 10 Käiviti
- 11 Ketiõli paak
- 12 Silt tootenumbri ja seerianumbriga.
- 13 Langetussuunamärgistus
- 14 Esikäepide
- 15 Turvakäepide
- 16 Summuti
- 17 Saekett
- 18 Juhtplaadi otsatähik
- 19 Juhtplaat
- 20 Kooretugi
- 21 Ketipüüdja
- 22 Ketipingutuskrugi (435 II, 440 II)
- 23 Siduri kate (435 II, 440 II)
- 24 Parema käe kaitse
- 25 Gaasihoovastik
- 26 Gaasihoovastiku sulgur
- 27 Siduri kate (435e II, 440e II)
- 28 Keti pingutusketas
- 29 Lüliti
- 30 Käsitsemisõpetus
- 31 Kombivõti
- 32 Juhtplaadi kaitse

ÜLDISED OHUTUSEESKIRJAD

Meetmed uue kettsae kasutamisele võtmisel

- Lugege kasutusjuhend hoolikalt läbi.
- (1) – (117) viitab illustatsioonidele lk. 2–6.
- Kontrolli lõikeseadme monteerimist ja korrasolekut. Juhised on toodud Koostamist käsitlevas alajaotuses.
- Täitke paak kütusega ja käivitage kettsaag. Vaadake juhiseid peatükkidest Kütuse käsitlemine ning Käivitamine ja seiskamine.
- Ära alusta saagimist enne, kui ketimäärdeõli on küllaldaselt voolanud kettsae ketile. Juhised on toodud alajaotuses Lõikeseade.
- Pikaajaline müra võib tekitada püsiva kuulmiskahjustuse. Sellepärast tuleb alati kanda heakskiidetud kõrvaklappe.



ETTEVAATUST! Seadme algset konstruktsiooni ei tohi muuta ilma tootja loata. Kasuta alati originaalosi. Lubamatud muudatused ja varuosad võivad põhjustada raskeid või isegi eluohtlikke kehavigastusi operaatorile ja teistele.



ETTEVAATUST! Kettsaag on ohtlik tööriist, mis võib hooletu või vale käsitlemisel korral põhjustada tõsiseid või isegi eluohtlikke vigastusi. Seepärast on väga tähtis, et loed käsitlemisõpetuse põhjalikult läbi ja saad kõikidest eeskirjadest korralikult aru.



ETTEVAATUST! Summuti sisaldab kemikaale, mis võivad olla kantserogeense toimega. Vältige kokkupuudet nende ainetega, kui summuti katki läheb või saab kahjustada.



ETTEVAATUST! Tervisele on ohtlik pikemat aega sisse hingata mootori heitgaase, tolmu ja pihustunud ketiõli.



ETTEVAATUST! Seade tekitab töötades elektromagnetvälja. Teatud tingimustel võib väli häirida aktiivsete või passiivsete meditsiiniliste implantaatide tööd. Tõsise või surmaga lõppevate kahjustuste riski vähendamiseks soovitate meditsiinilisi implantaate kasutataval inimestel pidada seadme kasutamise eel nõu oma arsti ja implantaadi valmistajaga.



ETTEVAATUST! Ärge laske laps seadme lähedale ega seadet kasutada! Kuna seadmel on vedruga seiskamislüüti ja seda saab väikesel kiirusel kerge vaevaga käivituskäepidemest käivitada, võib mõnikord ka laps suuta seadme käima panna. See tähendab ohtu tõsiste vigastuste tekkeks. Sellepärast tuleb seadme eemaldada süütepea, kui seade jääb valveta.

Tähtis

TÄHTSIS!

See metsatöödel kasutatav kettsaag on ette nähtud sellisteks töödeks nagu puude langetamine, laasimine ja järkamine.

Riiklikud õigusaktid võivad selle seadme kasutamist piirata.

Kasutage ainult selliseid saelatti ja saeketi kombinatsioone, mida me pakume peatükis Tehnilised näitajad..

Ärge töötage seadmega, kui te olete väsinud, ravimite või alkoholi mõju all, ms võivad mõjutada teie otsustamisvõimet, nägemist ja keha valitsemist.

Kanna isiklikku ohutusvarustust. Juhised on toodud alajaotuses Isiklik ohutusvarustus.

Ärge ehitage seadet ringi, nii et see enam ei vasta tehase originaalmudelile ega võtke ka kasutada sellist seadet, millest võib arvata, et keegi on selle ümber ehitanud.

Ärge kunagi kasutage vigastatud seadet. Teostage ohutuskontroll ja hooldage seadet korrapäraselt, nagu käsitlemisõpetuses nõutud. Teatud hooldust tohib teha ainult vastava väljaõppe saanud spetsialist. Vt juhiseid lõigust Hooldus".

Kasuta ainult käesolevas käsitlemisõpetuses märgitud lisavarustust. Juhised on toodud alajaotustes Lõikeseade ja Tehnilised andmed.

TÄHELEPANU! Kasutage näokaitset ja kaitseprilli, et kaitsta paiskuvate esemete eest. Kettsaest võivad paiskuda puutükid ja muud taolised esemed suure jõuga. See võib tekitada tõsise vigastuse, eriti silmadele.



ETTEVAATUST! Ohtlik on olla töötava mootoriga kinnises ruumis või kohas, kus pole korralikku ventilatsiooni, sest see võib põhjustada lämbumissurma või vingugaasimürgistuse.



ETTEVAATUST! Tagasilöögi ohtu suurendab see, kui kasutatakse koos sellist saelatti ja saeketti, mis kokku ei sobi. Kasutage ainult selliseid saelattide ja kettide kombinatsioone, mida meie soovitate ja järgige kasutusjuhendeid. Vaadake juhiseid peatükist Tehnilised näitajad.

ÜLDISED OHUTUSEESKIRJAD

Toimige alati arukalt (2)

Võimatu on kirjeldada kõiki olukordi, mida võib kettsae kasutamisel ette tulla. Olge ettevaatlik ja kasutage tervet mõistust. Vältige selliseid olukordi, milleks teil puuduvad teadmised. Kui te pärast selle juhendi läbi lugemist tunnete veel ebakindlust, küsige asjatundjalit nõu. Võtke julgusti ühendust oma edasimüüjaga või meiega, kui te tahate küsida midagi kettsaagide kasutamise kohta. Me oleme teie teenistuses ja anname heameelega nõu, kuidas kettsaagi paremini ja ohutumalt kasutada. Võiksite ka käia kettsae kasutamise koolitusel. Küsige nõu oma edasimüüjalt, metsandusalaselt õppeasutuselt või raamatukogust, kus ja milliseid kursuseid korraldatakse. Me teeme pidevalt tööd, et muuta toote kujundust paremaks ja rakendada paremaid tehnilisi lahendusi, mis tõstavad toote töökindlust, ohutust ja tõhusust. Käige korrapäraselt oma edasimüüja juures, kust saate teavet uuenduste ja nende kasutamise kohta.

Isiklik ohutusvarustus



ETTEVAATUST! Suurem osa õnnetustest juhtub seetõttu, et kettsae kett riivab operaatorit. Seadmega töötamisel tuleb kasutada ettenähtud isiklikku kaitsevarustust. Isiklik kaitsevarustus ei välista õnnetusi, kuid vähendab vigastuse astet. Palu seadme müüjalt abi sobiva varustuse valimisel.

- Heakskiidetud kaitsekiivrit
- Kõrvklaplid
- Kaitseprillid või näokaitse
- Kaitsekihiga kindad
- Saekaitsega püksid.
- Kaitsekihiga, terasest varbakaitsega ja libisemiskindla alustallaga saapad
- Kanna hoolt, et esmaabivarusus oleks alati käepärast.
- Tulekustuti ja labidas.

Tööriided peavad olema liibuvad, kuid ei tohi liikumisvabadust piirata.

TÄHTIS! Sädemed võivad tulla summutist, saelatist, ketist või mujalt. Hoidke tulekustutusabinõud käepärast. Sellega aitate kaasa metsatulekahjude leviku pidurdamisele.

Seadme ohutusvarustus

Selles peatükis selgitatakse seadme ohutusdetaili ja seda, milline roll neil on. Seadme kontrollimise ja hooldamise kohta leiate juhiseid peatükist Kettsae turvavarustuse kontroll ja hooldus. Peatükist Seadme osade paiknemine näete, kus nad teie seadmel paiknevad.

Kui seadet ei hooldata õigesti ja korrapäraselt ja seadet ei paranda asjatundja, võib seadme tööga lüheneda ja tekkida oht õnnetuste tekkeks. Lisateabe saamiseks võta ühendust lähima hooldustöökajaga.



ETTEVAATUST! Ärge kasutage seadet, kui selle turvavarustus pole täiesti korras. Turvavarustust tuleb kontrollida ja hooldada. Vaadake juhiseid peatükist Kettsae turvavarustuse kontroll ja hooldus. Kui teie seadme kontrollimisel selgub, et kõik pole korras, tuleb seade viia töökotta parandusse.

Ketipidur ja turvakäepide

Teie kettsael on ketipidur, mis on nii konstrueeritud, et see peatab keti, kui tekib tagasilöök. Ketipidur vähendab õnnetuse ohtu, aga ainult teie kui kasutaja võimuses on seda täiesti ära hoida. **(3)**

Ole töötamisel ettevaatlik ja kannna hoolt, et juhtplaadi ohusektor midagi ei riivaks. **(4)**

- Ketipidurit saab lülitada käsitsi (A) (vasaku käega) või rakendub see inertsjõu toimel. **(5)**
 - Pidur toimib, kui lükkad turvakäepideme (B) ettepoole. **(5)**
 - Liigutus ettepoole aktiveerib vedrumehhanismi, mis pingutab lintpidurit (C) mootori ketiveosüsteemi (D) (siduriketta) ümber. **(6)**
 - Turvakäepideme üheks ülesandeks on aktiveerida ketipidurit. Teine tähtis turvafunktsioon on takistada vasaku käe sattumist ketile juhul, kui esikäepide peaks käest libisema.
 - Kettsae käivitamisel peab olema ketipidur tööle rakendatud, et kett ei hakkaks liikuma. **(55)**
 - Ketipidurit võib kasutada nagu käsipidurit käivitamisel või seadme lühiajalisel transportimisel teise töökohta, et vältida juhuslikust kokkupuutest tekkida võivaid vigastusi. Ärge jätkke pikaks ajaks tööle kettsaagi, kui ketipidur on aktiveeritud. Kettsaag võib minna väga kuumaks.
 - Ketipiduri vabastamiseks liigutage tagasilöögikaitse, millel on kiri "VABASTAMISEKS TÕMMAKE TAGASI", eesmise käepideme suunas tagasi.
 - Tagasiviskumine võib olla väga ootamatu ja jõuline. Enamasti on tagasiviskumise väiksemad ja ei lülita ketipidurit alati sisse. Väikese tagasiviskumise korral hoia kettsaagi kindlalt, laskmata seda käest.
 - Ketipiduri aktiveerimine (operaatori poolt käsitsi või automaatselt) on tagasiviskumise jõust ja kettsae asendist selle eseme suhtes, mida juhtplaadi ohusektor puudutab.
- Tugeval tagasilöögil ja siis, kui saelati ohusektor on kasutajast võimalikult kaugel, rakendub tagasilöögi suunalise inertsjõu toimel tööle ketipidur. **(7)**
- Kui tagasiviskumine ei ole eriti jõuline või kui juhtplaadi ohusektor asetseb kasutajale lähemal, lülitab kasutaja ise vasaku käega ketipidurit.
- Kui vasak käsi on vales asendis, ei saa ketipidurit käsitsi lülitada. Sellise haarde korral, kus vasak käsi paikneb nii, et ketipidurit ei saa lülitada, jääb üle loota vaid inertsjõule. **(8)**

ÜLDISED OHUTUSESKIRJAD

Kas ma saan ise oma käega ketipidurit lülitada, kui tekib tagasilöök?

Ei. Ketipiduri lükkamiseks ettepoole on vaja pisut jõudu rakendada. Kui te puudutate käega kergelt tagasilöökkaitset või libistate sellest üle, võib jõud olla liiga nõrk ketipiduri sisselülitamiseks. Hoidke töötamisel kindlalt ketsae käepidemetest. Kui teil tekib tagasilöökk, võib juhtuda, et te ei lase kätt esikäepideme küljest lahti ega aktiveeri ketipidurit, aga võib ka juhtuda, et ketipidur lülitatakse sisse alles siis, kui saag on jõudnud mõnda aega töötada. Siis on oht, et ketipidur ei jõua ketti õigeaegselt pidurdada ja kett võib teid enne vigastada.

Mõnedes töoasendites võib teil käsi mitte ulatuda ketipidurini, et seda sisse lülitada, näiteks saega puu langetamisel.

Kas ketipidur lülitub inertsil jõul alati, kui tekib tagasilöökk?

Ei. Esiteks peab ketipidur olema töökorras. Ketipidurit on kerge kontrollida, vaadake juhiseid peatükist Ketsae turvavarustuse kontroll ja hooldus. Me soovime kontrolli teha enne iga töövahetust. Teiseks peab tagasilöökk olema piisavalt tugev, et ketipidur tööle hakkaks. Kui ketipidur oleks liiga tundlik, hakkaks ta tihti tööle ja see on tülikas.

Kas ketipidur kaitseb mind alati vigastuste eest, kui tekib tagasilöökk?

Ei. Kõigepealt peab ketipidur olema korras, et see tagaks piisava kaitse. Edasi peab ta aktiveeruma nii, nagu ülevalpool kirjeldatud, et see pidurdaks ketti tagasilöögi tekkel. Kolmandaks võib ketipidur tööle hakata, aga kui saelatt on liiga lähedal teile, võib kett mitte jõuda aeglustuda, enne kui saag teid puudutab.

Tagasilööki koos selle ohtlike tagajärgedega võib vältida ainult töötaja ise õigete töövõtete kasutamisega.

Gaasihoovastiku sulgur

Gaasipäästik on konstrueeritud nii, et gaasihoovastik juhuslikult ei lülituks. Kui päästik (A) käepidemes sisse vajutada (sisse vajutatakse see nii, et hoitakse käepidemest), vabaneb gaasihoovastik (B). Kui käehaare käepidemel vabastada, lähevad gaasihoovastik ja ka gaasipäästik lähteasendisse. See tähendab seda, et tühikäigul on gaasihoovastik suletud asendis ja seda automaatselt. (9)

Ketipüüdja

Ketipüüdja ülesandeks on püüda kinni purunenud või juhtplaadilt mahatunud kett. Korralikult pingutatud kett tavaliselt ei purune ega tule juhtplaadilt maha (vt. peatükk Koostamine), kui juhtplaati ja ketti õigesti hooldada (juhised on toodud alajaotuses Üldised tööeeskirjad.) (10)

Parema käe kaitse

Parema käe kaitse kaitseb su kätt, kui kett peaks juhtplaadilt maha tulema, ning ei lase okstel takistada tagumistest käepidemest kinni hoidmast. (11)

Vibratsioonisummutussüsteem

Seade on varustatud vibratsioonisummutussüsteemiga, mis vähendab vibratsiooni ja teeb seadme kasutamise mugavaks.

Vibratsioonisummutussüsteem vähendab vibratsiooni, mis kandub käepidemesse seadme mootorist ja lõikesedmetest. Ketsae korpus ja lõikeseade on eraldatud käepidemetest amortiseerivate elementidega.

Kõva puud (suuremat osa lehtpuud) saagides tekib suurem vibratsioon kui pehmet puud (peamiselt okaspuid) saagides. Vigastatud, nürvi või vale tüüpi ketiga saagides on vibratsioon tugevam.



ETTEVAATUST! Tugevate või pikaajalist vibratsioonide toimel võib tekkida veresoonte ja närvide vaevus neil, kellel on vereringehäired. Pöörduge arsti poole, kui teil ilmneb vibratsiooni tekitatud vaevuste nähte. Sellisteks nähtudeks on tundetud, jõu puudumine või tavalisest väiksem käte jõudlus, surin, torked või naha tundetus, nahapinna või nahavärvi muutumine, valu. Tavaliselt tekivad sellised nähud kätes, sõrmedes või randmetes. Küllega võivad need nähud tugevneda.

Seiskamislülit

Mootori väljalülitamiseks kasuta seiskamislülitit. (12)

Summuti

Summuti ülesandeks on hoida minimaalset mürataset ja suunata mootori heitgaasid operaatorist eemale.



ETTEVAATUST! Mootori heitgaasid on kuumad ja võivad sisaldada sädemeid, mis võivad tekitada tulekahju. Sellepärast ära käivita seadet kunagi ruumis sees ega tuleohtlike materjalide lähedal!

Kuivas ja kuumas kohas võib tekkida suur tuleoht. Sellise kliimaga kohtades võib olla seadusandluses nõudeid summuti kohta, näiteks võib olla nõue, et summutil peab olema heakskiidetud sädemepüüdja. (13)

Võrgu paigaldamisel veenduge kõigepealt, et võrk on sisestatud õiges asendis. Vajadusel kasutage võrgu sisestamiseks või eemaldamiseks kombivõtit.



TÄHELEPANU! Summuti läheb seadme töötamisel väga kuumaks ja on kuum ka pärast seadme välja lülitamist. See kehtib ka tühikäigul töötamise kohta. Olge töötamisel hoolikas ja ettevaatlik, eriti siis, kui töötate tuleohtlike gaaside ja muude materjalide lähedal.



ETTEVAATUST! Ärge kasutage ketsaaga ilma summutita või katkise summutiga. Katkine summuti tekitab tugevat müra ja suurendab märgatavalt tuleohtu. Hoolitsege selle eest, et teil oleksid käepärast tulekustutusvahendid. Ärge kasutage seadet ilma sädemepüüdjata või katkise sädemepüüdjaga, kui teie piirkonnas on sädemepüüdja kasutamine kohustuslik.

ÜLDISED OHUTUSEESKIRJAD

Lõikeseade

Käesolev peatükk räägib õige lõikeseadme valimisest ja selle hooldamisest, et:

- Vähendada tagasiviskumise ohtu.
- Vähendage keti purunemise ja maha tulemise ohtu.
- Tagage optimaalne lõikevõime.
- Pikendada lõikeseadme eluiga.
- Hoidke ära liigset müra.

Üldised eeskirjad

- **Kasuta ainult seadme tootja soovitatuid lõikeseadmeid!** Vaadake juhiseid peatükist Tehnilised näitajad.
- **Kanna hoolt, et keti hambad oleks korralikult teritatud! Järgi meie eeskirju ja kasuta soovitatud teritusmalli.** Vigastatud või valesti teritatud kett suurendab õnnetuse ohtu.
- **Hoidke õiget lõikesügavust! Järgige meie juhiseid ja tagage õige sügavusmõõt (lõikesügavus), kasutades vastavat malli.** Liiga suur lõikesügavus suurendab tagasilöögi ohtu.
- **Kanna hoolt, et kett oleks korralikult pingutatud!** Kui kett on liiga lõtv, on oht , et see tuleb juhtplaadilt maha. Liiga lõtv kett põhjustab juhtplaadi, keti ja veotäniku kulumist.
- **Kanna hoolt, et lõikeseade oleks korralikult määratud ja hooldatud!** Halvasti määratud kett puruneb kergemini ja tekitab suuremat juhtplaadi, keti ja veotäniku kulumist.

Lõikeosa, mis vähendab tagasilööki.



ETTEVAATUST! Tagasilöögi ohtu suurendab see, kui kasutatakse koos sellist saelatti ja saeketti, mis kokku ei sobi. Kasutage ainult selliseid saelattide ja kettide kombinatsioone, mida meie soovime ja järgige kasutusjuhendeid. Vaadake juhiseid peatükist Tehnilised näitajad.

Tagasiviskumist saab ära hoida ainult nii, et hoida juhtplaadi ohusektorit teisi esemeid riivamast.

Tagasiviskumisi on võimalik vähendada, kasutades "sissehitatud" tagasiviskumiskaitsega lõikeseadet ja hoolitsedes selle eest, et kett oleks hästi teritatud ning hooldatud.

Juhtplaat

Mida väiksem on saelati tipu raadius, seda suurem on tagasilöögi oht.

Saekett

Saekett koosneb paljudest lülidest; saadaval on standardlülid ja tagasiviskumist vähendavad lülid.

TÄHTIS! Ükski saekett ei hoi ära tagasilööki.



ETTEVAATUST! Igasugune kokkupuude liikuva saeketiga võib tekitada tõsise kahjustuse.

Mõned terminid juhtplaadi ja keti kirjeldamiseks

Et lõikeosa turvadetailid täidaksid oma ülesannet, tuleb kulunud ja kahjustustega saelatt /saekett vahetada Husqvarna poolt soovitatud saeketi ja saelattiga. Vaadake juhiseid osast Tehnilised näitajad, kus on andmed meie soovitatud saekettide ja saelattide kombinatsioonide kohta.

Juhtplaat

- Pikkus (tollides/cm)
- Hammaste arv juhtplaadi otsatähikul (T).
- Keti samm (=pitch) (tollides). Veolülide vahe peab sobima juhtplaadi otsatähiku ja veotäniku hammastega. **(14)**
- Veolülide arv. Veolülide arvu määravad juhtplaadi pikkus, keti samm ja hammaste arv juhtplaadi otsatähikul.
- Juhtplaadi soone laius (tollides/mm). Juhtplaadi soon peab sobima kokku keti veolülide laiussega.
- Saeketi õlitamisauk ja pingutusauk. Juhtplaat peab sobima kokku kettsae konstruktsiooniga. **(15)**

Saekett

- Saeketi samm (=pitch) (tollides) **(14)**
- Veolülide laius (mm/tollides) **(16)**
- Veolülide arv **(17)**

Saeketi lõikesügavuse reguleerimine ja keti teritamine.

Üldised näpunäited saehammaste teritamise kohta

- Ärge kasutage saagimiseks teritamata saeketti. Kui te peate saagimisel suruma saagi puusse ja saagimisel tekib peenike saepuru, on see märk sellest, et kett on nürri. Kui saekett on väga nürri, ei teki üldse saepuru. Puu läheb siis saagimisel peeneks tolmuks.
- Hästi teritatud saekett läheb saagimisel ise puu sisse ja saepuru koosneb suurtest pikergustest tükkidest.
- Saeketi lõikavateks osadeks on saelülid, mis koosnevad saehambast (A) ja kontsast (B). Nende kõrguse vahe määrab saetee sügavuse. **(18)**

Saeketi teritamisel tuleb jälgida nelja mõõtu.

- 1 Teritusnurk **(19)**
- 2 Lõikenurk **(20)**
- 3 Viili asend **(21)**
- 4 Ümarviili läbimõõt

Ilma abivahendita on väga raske saeketti korralikult teritada. Sellepärast me soovime teil kasutada teritusmalli. Teritusmalli järgi teritades tagate optimaalse lõikevõime ja tagasilöögi nõrgendamise. **(22)**

Vaadake juhiseid peatükist Tehnilised näitajad, kus on toodud andmed kettsae kettide teritamise kohta.



ETTEVAATUST! Teritamise juhiste mittejärgimine suurendab tunduvalt tagasilöögi ohtu.

ÜLDISED OHUTUSESKIRJAD

Lõikehammade teritamine



Saehammaste teritamiseks on vaja ümarviili ja teritusmulli. Vaadake peatükki Tehnilised näitajad, kus on toodud juhised ümarviili ja teritusmulli valikuks vastavalt saeketile.

- Kontrolli, kas saekett on õigesti pingutatud. Lõtva ketti on raske õigesti teritada.
- Lõikehambaid terita alati seestpoolt. Viili tagasitõmbamisel vähenda survet. Terita esiteks kõik hambad sae ühel poolel, siis keera kettsaag ringi ja terita hambad teisel poolel.
- Viili kõik hambad ühepikkuseks. Kui lõikehamba pikkus on ainult 4 mm (5/32"), on kett kulunud ja see tuleb asendada uuega. (23)

Lõikesügavuse reguleerimise üldpõhimõtted.

- Saehamba teritamine vähendab lõikesügavust (sügavusmõõtu). Parima lõikevõime saavutamiseks peab kontsa õigele kõrgusele viilima. Vaadake juhiseid peatükist Tehnilised näitajad, kus on toodud andmed lõikesügavuse kohta vastavalt konkreetsele saeketile. (24)



ETTEVAATUST! Liiga suure lõikesügavuse korral suureneb tagasilöögi oht.

Lõikesügavuse seadistamine.



- Selleks et seadistada lõikesügavust, peavad olema enne saehambad teritatud. Soovitame lõikesügavust seadistada iga kolmanda teritamise järel. Tähelepanu! Seda soovitus saab rakendada siis, kui saehambad pole liiga madalaks viilitud.
- Lõikesügavuse seadistamiseks läheb vaja lameviili ja lõikesügavuse seadistamise malli. Soovitame kasutada sügavusmõõdu seadistamiseks vastavat teritusmulli, sellega tagatakse õige sügavusmõõt ja kontsa nurk.
- Pange teritusmall saeketile. Teritusmalli kasutusjuhised on ka pakendil. Teritusmallist välja ulatuva kontsa viilimiseks kasutage lameviili. Sügavusmõõt on õige siis, kui teil viili lükkamisel üle teritusmalli ei teki takistust. (25)

Keti pingutamine



ETTEVAATUST! Lõtv kett võib juhtplaadilt maha tulla ja tekitada raskeid või isegi eluohtlikke vigastusi.

Mida rohkem ketti kasutada, seda pikemaks see venib. Sellepärast on tähtis lõikeosa korrapäraselt reguleerida.

Kontrolli ketipinget iga kord, kui lisad kütust. TÄHELEPANU! Uus saag vajab sisetöötamist ja sel ajal tuleb ketipinget tihedamini kontrollida.

Pinguta ketti nii palju kui võimalik, aga nii, et seda saaks hõlpsasti käsitsi ringi vedada. (26)

435 II, 440 II



- Keerake lahti saelati mutter, mis kinnitab sidurikatet/ ketipidurit. Kasutage kombivõit. Pingutage saelati mutrit käe jõuga, nii kõvasti, kui suudate. (27)
- Tõsta juhtplaadi otsa ja pinguta ketti kombivõtmega, keerates ketipingutuskrui. Pinguta ketti, et see enam juhtplaadi alumisel küljel lõdvalt ei ripuks. (28)
- Keerake saelati mutter kombivõtmega kinni, hoides samal ajal saelati otsa üleval. Kontrollige, et saeketti oleks käega kerget liigutada ja see ei ripuks saelati alumisel küljel. (29)

Erinevatel kettsaemudelitel on ketipingutuskrui erinevas kohas. Vaadake juhiseid peatükist Seadme osade paiknemine, et teada saada, kus see teie mudelil paikneb.

435e II, 440e II



- Vabastage lüliti, seda välja keerates. (30)
- Keerake lüliti vastupäeva, et vabastada lati kate. (31)
- Keti pinguse seadistamiseks keerake ketast allapoole (+), et kett läheks pingumale ja ülespoole (-), et kett läheks lõdvemaks. (32)
- Keerake latt kinni, keerates lüliti päripäeva. (33)
- Keerake lüliti tagasi oma pesasse, et lukustada keti pingus. (34)

Lõikeseadme määrimine



ETTEVAATUST! Puudulikult määritud lõikeseadme võib põhjustada keti purunemist ja tekitada raskeid või isegi eluohtlikke vigastusi.

Ketiõli

Ketiõli peab ketile kleepuma ja hästi voolama, olgu ilm kuum või külm.

Kettsae tootjatena oleme väljatöötanud optimaalse taimse päritoluga ketiõli, mis looduses täielikult laguneb. Soovitame kasutada meie ketiõli, et pikendada maksimaalselt keti eluiga ja samas säästa keskkonda. Kui meie ketiõli pole saadaval, soovitame tavalist ketiõli.

Ära kasuta kunagi läbitöötanud õili! See on kahjulik teile, seadmele ja keskkonnale.



TÄHTIS! Taimse ketiõli kasutamisel tuleb pikemaajalisel säilitamisel saekett maha võtta ja puhastada saelati soon ja saekett. Saeketiõli võib oksüdeeruda, kett minna jäigaks ja tähk kinni jääda.

ÜLDISED OHUTUSEESKIRJAD

Ketiõli lisamine

- Kõikidel meie kettsaagidel on automaatne ketiõlitussüsteem. Teatud mudelitel on lisaks veel reguleeritav ketimäärimine.
- Kütusepaak ja ketiõlipaak on selliste mõõtudega, et kütus saab otsa enne ketiõli.

See kehtib muudigi sel juhul, kui kasutada õiget ketiõli (kui kasutada liiga voolavat ja kerget ketiõli, võib ketiõlipaak saada enne tühjaks), järgida meie juhiseid karburaatori seadistamiseks (liiga lahja segu kasutamisel jätkub kütust kauem kui ketiõli) ja lõikeosa kohta (pika saelati korral kulub rohkem ketiõli).

Kontrolli keti määrimist

- Kontrolli keti määrimist iga kord, kui lisad kütust. Suuna juhtplaat umbes 20 cm (8 tolli) kauguselt heleda pinna suunas ja lase ketti joosta minut aega kolmveerandgaasiga. Pinnale peab jääma selgelt nähtav õljälj.

Kui keti määrimine ei toimi:

- Vaata järele, kas juhtplaadi õlikanalid pole mingeid takistusi. Puhasta vajaduse korral. **(35)**
- Kontrolli, et soon juhtplaadi küljel oleks puhas. Puhasta vajaduse korral. **(36)**
- Kontrolli, kas juhtplaadi otsatähik pöörleb vabalt ja kas määrdeauk otsas ei ole blokeeritud. Puhasta ja määri vajaduse korral. **(37)**

Kui keti määrdesüsteem peale seda ikka ei tööta õigesti, võta ühendust hooldustöökajaga.

Keti veotähik



Sidurikettal on üks veotähiku kahest variandist:

- A Spur veoratas (kettale kinni joodetud veoratas)
- B Rim veoratas (asendatav veoratas) **(38)**

Kontrolli korrapäraselt veotähiku kulumist. Vaheta veotähik välja, kui see on liiga kulunud. Vaheta veotähikut iga kord, kui vahetad saeketti.

Nõellaagri määrimine



Mõlemat tüüpi veoratal on väljuval völli nõellaager, mida tuleb korrapäraselt määrida (üks kord nädalas). TÄHELEPANU! Kasuta kvaliteetset laagrimääret või mootoriõli

Vaadake juhiseid osast Hooldus, Nõellaagrite määrimine.

Kontrolli lõikeseadme kulumist



Kontrolli iga päev saeketti:

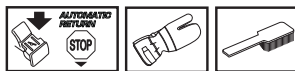
- ketil on silmaga nähtavaid pragusid neetides või lülides.
- saekett on jäik.
- needid või lülid on väga kulunud.

Saeketti ei saa enam kasutada, kui ilmneb mingi allpool nimetatud tunnus:

Võrdle ketti uue ketiga, et määrata, kui võrd kulunud see on.

Viili kõik hambad ühepikkuseks. Kui lõikehamba pikkus on ainult 4 mm (5/32"), on kett kulunud ja see tuleb asendada uuega. **(23)**

Juhtplaat



Kontrolli tuleb teostada korrapäraselt:

- Kontrolli, ega juhtplaadi äär pole kare. Vajadusel eemalda karedus viiliga.
- Kontrolli, ega juhtplaadi soon pole väga kulunud. Vajadusel asenda juhtplaat uuega.
- Kontrolli, ega juhtplaadi ots pole ebaühtlaselt või väga kulunud. Kui juhtplaadi üks külg kulub õõnsaks, on töötatud liiga lõdva ketiga.
- Maksimaalse tööea tagamiseks tuleb saelatti korrapäraselt vahetada.



ETTEVAATUST! Suurem osa õnnetustest juhtub seetõttu, et kettsae kett riivab operaatorit.

Kanna isiklikku ohutusvarustust. Juhised on toodud alajaotuses Isiklik ohutusvarustus.

Ära võta ette tööd, millega toime tulemises sa pole kindel. Juhised on toodud alajaotuses Isiklik ohutusvarustus, kuidas vältida tagasiviskumist, lõikeseade ja Üldised tööeeskirjad.

Välidi olukordi, kus võib tekkida tagasiviskumine. Juhised on toodud alajaotuses Seadme ohutusvarustus.

Kasuta soovitud ohutusvarustust ja kontrolli, et see toimiks. Juhised on toodud alajaotuses Üldised tööeeskirjad.

Kontrolli, kas kõik kettsae ohutusseadmed töötavad. Juhised on toodud alajaotuses Üldised tööeeskirjad ja Üldised ohutuseeskirjad.

Juhtplaadi ja keti paigaldamine



ETTEVAATUST! Ketiga töötamisel tuleb alati kasutada kindaid.

435 II, 440 II

- **Kontrolli, et ketipidur ei oleks väljalülitatud asendis; selleks liiguta turvakäepidest esikäepideme suunas. (39)**
- Kruvige saelati mutter maha ja eemaldage sidurikate (ketipidur). Eemaldage transpordikaitse (A). (40)
- Paigaldage saelati poldile saelatt. Pange saelatt kõige tagumisesse asendisse. Pange saekett ketiveorattale ja saelati soonde. Alustage saelati pealmisest küljest. (41)
- Kontrolli, kas lõikelülide terad on juhtplaadi ülemisel poolel ettepoole suunatud.
- Kinnitage sidurikate ja pidage meeles, et ketipingutustihvt tuleb juhtplaadis olevasse auku sisestada. Kontrollige, et keti veolülid sobiksid veotähikule ja et kett oleks juhtplaadi soones. Keerake kinnitusmutrid sõrmedega kinni.
- Keti pingutamiseks keera pingutuskruvi kombivõtme abil päripäeva. Ketti tuleb pingutada, kuni see ei ole juhtplaadi alumisel poolel lõtv. (42)
- Kett on korrektselt pingutatud, kui see ei ole juhtplaadi alumisel poolel lõtv ja on käega kergelt ringiveetav. Keerake kinnitusmutter kombivõtmega kinni, samaaegselt juhtplaati üleväl hoides. (43)
- Uue keti puhul tuleb ketipingsust tihti kontrollida, kuni kett on sisse töötatud. Kontrolli ketti reeglipäraselt. Õigesti pingutatud kett tagab head lõikeomadused ja pikendab keti eluiga. (44)

435e II, 440e II

- **Kontrolli, et ketipidur ei oleks väljalülitatud asendis; selleks liiguta turvakäepidest esikäepideme suunas. (45)**
- Keerake lahti keti pingutusratas ja võtke ära sidurikate (ketipidur). Võtke ära transportimise kate. (A) (46)
- Paigalda juhtplaat juhtplaadi poldidele. Lükka juhtplaat tagumisse asendisse. Pane kett veotähikule ja juhtplaadi soonde. Alusta juhtplaadi ülemisest poolest. (41)
- Kontrolli, kas lõikelülide terad on juhtplaadi ülemisel poolel ettepoole suunatud.
- Kinnitage sidurikate ja pidage meeles, et ketipingutustihvt tuleb juhtplaadis olevasse auku sisestada. Kontrollige, et keti veolülid sobiksid veotähikule ja et kett oleks juhtplaadi soones.
- Keerake kett pingumale, keerates ketast allapoole (+). Ketti pingutatakse, nii et see ei jääks eemale lati alumisest poolest. (32)

- Keti pingsus on õige, kui kett ei vaju eemale lati alumisest poolest, kuid ketti on kerge käsitsi ringi vedada. Hoidke lati otsa ülespoole ja pingutage lati sidurit, keerates lüliti päripäeva. (33)
- Uue keti puhul tuleb ketipingsust tihti kontrollida, kuni kett on sisse töötatud. Kontrolli ketti reeglipäraselt. Õigesti pingutatud kett tagab head lõikeomadused ja pikendab keti eluiga. (44)

Kooretoe paigaldamine

Kooretoe paigaldamise küsimustes pööruda hooldustöökoja poole. (47)

KÜTUSE KÄSITSEMINE

Küttesegu

Pange tähele! Seadmel on kahetaktimootor ja see vajab töötamiseks bensiini ning kahetaktiõli segu. Õige vahekorra saamiseks tuleb hoolikalt määrata õlikogus bensiini segamiseks. Väikeste kütusekoguste segamisel võivad ka väikesed eksimused õlikoguse osas mõjutada segu koosseisu oluliselt.



ETTEVAATUST! Hoolitse, et segamise ajal oleks ventilatsioon hea.

Bensiin



- Kasuta kvaliteetset plii- või pliivaba bensiini.
- Madalaim soovituslik oktaanarv RON on 90. Kui mootoris kasutada bensiini 90 madalama oktaanarvuga, võib see üle kuumeneda. Mootori temperatuuri tõus suurendab laagrite koormust, mis võib põhjustada mootoris raskeid kahjustusi.
- Pidevalt suurtel pööretel töötades (nt. laasimisel) on soovitatav kasutada kõrgema oktaanarvuga bensiini.

Keskkonnasäästlik kütus

HUSQVARNA soovib kasutada keskkonnasäästlikku bensiini (nn alkülaatkütust), näiteks Aspeniga segatud kahetaktibensiini või neljaktimootorite keskkonnasäästlikku bensiini, millesse on segatud kahetaktiõli, nagu kirjeldatud alljärgnevas. Ärge unustage, et kütuse liigi vahetamisel tuleb karburaatorit seadistada (vaadake juhiseid peatükist Karburaator).

Etanoolkütus

HUSQVARNA soovib kasutada kaubandusvõrgus saadaolevat kütust, mille etanoolisisaldus on maksimaalselt 10%.

Sissetötamine

Esimese 10 töötunnil tuleb vältida suurel pöörlemiskiirusel töötamist pikema aja jooksul.

Kahetaktiõli

- Parima tulemuse saavutamiseks kasutage HUSQVARNA kahetaktiõli, mis on spetsiaalselt meie õhkJahutusega kahetaktimootorite jaoks valmistatud.
- Ärge kasutage mingil juhul vesijahutusega kahetaktimootorite jaoks toodetud õli, mille võõrkeelne nimetus on outboardoil (lühend TCW).
- Ära kasuta kunagi neljaktiilise mootori õlisis.
- Madala kvaliteediga õli ja ka liiga rammus õli ja kütuse segu võivad katalüsaatorseadme tööd segada ja vähendada selle tööiga.

Segu koostis

1:50 (2%) HUSQVARNA kahetaktiõli.

1:33 (3%) teiste õlide korral, mis on õhkJahutusega kahetaktimootoritele, klassifitseeritud JASO FB/ISO EGB jaoks.

Bensiin, liitrit	Kahetaktiõli, liitrit	
	2% (1:50)	3% (1:33)
5	0,10	0,15
10	0,20	0,30
15	0,30	0,45
20	0,40	0,60

Segamine

- Bensiini ja õli omavaheliseks segamiseks kasuta alati puhast nõu, mis on ette nähtud bensiini jaoks.
- Esiteks vala nõusse pool segatavast bensiinist. Lisa kogu õlikogus. Sega (loksuta) küttesegu segamini. Lisa ülejäänud bensiin.
- Sega (loksuta) küttesegu hoolikalt enne seadme kütusepaagi täitmist.
- Ära sega rohkem kütust kui üheks kuuks vaja.
- Kui seade jääb pikemaks ajaks seisma, tuleb kütusepaak tühjendada ja puhastada.

Ketiõli

- Määrimiseks kasutatakse spetsiaalset õli (ketiõli), millel on hea nakkuvus. **(4B)**
- Ära kasuta kunagi läbitöötatud õli. See viib õlipumba, juhtplaadi ja keti vigastusteni.
- Tähtis on kasutada õiget õlisorti (sobiva viskoossusega), arvestades ilmastikuolusid.
- Õhutemperatuuril alla 0°C muutuvad mõned õlid raskesti voolavaks. See võib põhjustada õlipumba ülekoormuse, millele järgnevad õlipumba osade rikked.
- Sobiva ketiõli valimiseks pea nõu hooldustöökajaga.

KÜTUSE KÄSITSEMINE

Tankimine



ETTEVAATUST! Järgnevad ettevaatusabinõud vähendavad tulekahjuohtu:

Ärge suitsetage kütuse lähedal ega pange sinna kuumi esemeid.

Seiska mootor ning lase sel enne tankimist mõni minut jahtuda.

Kütuse lisamisel ava kork ettevaatlikult, et ülerõhk saaks aeglaselt väheneda.

Pärast kütuse lisamist pinguta korki hoolikalt.

Enne käivitamist viige masin tankimiskohast ja kütuse ladustamiskohast eemale.

Pühi paagikorgi ümbrus puhtaks. Puhasta korrapäraselt kütuse- ja ketiõlipaaki. Kütusefiltrit tuleb vahetada vähemalt kord aastas. Mustus paagis tekitab mootori töös häireid. Jälgi, et kütus oleks korralikult segunenud, selleks loksuta iga kord enne kütusepaagi täitmist kütusenõud. Kütuse- ja ketiõlipaagi mahud on omavahel sobitatud. Sellepärast täida alati mõlemad paagid samaaegselt. **(48)**



ETTEVAATUST! Kütus ja selle aurud on väga tuleohtlikud ja kahjulikud sissehingamisel. Ole ettevaatlik käsitsedes kütust ja ketiõli. Mõtle tule- ja plahvatusohu peale.

Kütusepaagi korgi ja ketiõli paagi korgi eemaldamine

- Vajutage hoova tekstuurne lapats alla ning tõstke püstiasendisse. **(49)**
- Keerake kork vastupäeva lahti. **(50)**
- Eemaldage kork. **(51)**

Kütusepaagi korgi ja ketiõli paagi korgi tagasipanek

- Sisestage kork, hoova lapats püstiasendis. **(52)**
- Keerake kork päripäeva kõvasti kinni. **(53)**
- Vajutage lapats alla. **(54)**

TÄHTIS! Kahjustatud kork tuleb alati välja vahetada.

Ohutusnõuded kütuse käsitsemisel

- Ärge kalla seadmesse kütust, kui mootor pole välja lülitatud.
- Hoolitse selle eest, et kütuse segamisel (bensiin kahetaktiõliga) ja tankimisel oleks ventilatsioon hea.
- Enne käivitamist vii seade vähemalt 3 meetri kaugusele kütuse lisamise paigast.
- Ära käivita seadet:
 - 1 Kui sellele on sattunud kütust või õli. Pühi seade kuivaks ja lase ka bensiinjääkidel ära auruda.
 - 2 Kui kütust on sattunud Su kehale või riietele, vaheta riided. Pese puhtaks kehaosad, kuhu on sattunud kütust. Pese vee ja seebiga.
 - 3 Kui seadmest pihkub kütust. Kontrolli korrapäraselt, et kütust ei lekiks kütusepaagi korgi vahelt või voolikust.



ETTEVAATUST! Ärge kasutage seadet, kui sellel on nähtavaid kahjustusi süüteküünlale kaitsel ja süütejuhtmel. Võib tekkida säde ja põhjustada tulekahju.

Transport ja hoiustamine

- Ära hoiu kettsaagi ega kütust paigas, kus võib tekkida sädeid või lahtist tuld, näit. masinate, elektrimootorite, reelede, lülitite, katelde jmt. seadmete läheduses.
- Hoiu kütust selleks ettenähtud nõus.
- Kui kettsaag jääb pikemaks ajaks seisma või seda transportitakse, tuleb kütuse- ja õlipaak tühjaks teha. Palu lähimast bensiinjajaamast abi sobiva paiga leidmisel vana kütuse ja õli kasutuselt kõrvaldamiseks.
- Transportimisel või säilitamisel peab lõikeosal olema transportimiskaitse, et kogemata miski ei puutuks terava keti vastu. Ka liikumatu kett võib kokkupuutel tekitada kahjustuse nii seadme kasutajale kui teistele inimestele, kes selle vastu puutuvad.
- Eemaldage süüteküünlalt süütepea. Aktiveerige ketipidur.
- Kinnitage seade transportimise ajaks.

Pikaajaline hoiustamine.

Tühjendage kütusepaak ja õlipaak hästi õhustatavas kohas. Hoidke kütust selleks ette nähtud paagis kindlas kohas. Pange saelatile kaitse. Puhastage seade. Vaadake juhiseid peatükist Hoolduskeem.

Enne pikemaajalist hoiustamist tuleb seade korralikult puhastada ja hooldada.

KÄIVITAMINE JA SEISKAMINE

Käivitamine ja seiskamine



ETTEVAATUST! Enne käivitamist tuleb meeles pidada järgmist:

Sae käivitamisel peab olema ketipidur sisse lülitatud, et pöörleva ketiga käivitamisel õnnetust ei juhtuks.

Ära käivita kettsaagi, millele pole korralikult paigaldatud kõiki katteid, saeketti või –lehte. Sidur võib lahti tulla ja põhjustada raskeid vigastusi.

Aseta seade kindlale pinnale. Jälgi, et seisad kindlalt ja et keet ei saa millessegi haakuda.

Vaata, et tööpiirkonnas poleks võõraid isikuid.

Käivitusnööri ei tohi kerida käe ümber.

Käivitamine

Kettsae käivitamisel peab ketipidur olema sisse lülitatud. Ketipidur aktiveeritakse tagasilöögikaitse ettepoole lükkamise teel. (55)

Külm mootor

Käivituspositsioon, 1: Asetage start/stopp-lüliti õhuklapi asendisse, tõmmates punast lülitit üles/alla. (56)

Kütusepump (2): Vajutage korduvalt kütusepumba kummilutti, kuni see täitub kütusega (vähemalt 6 korda). Lutt ei pea täiesti täis olema. (56)

Võtke vasaku käega eesmisest pidemest kinni. Hoidke kettsaagi maas, asetades parema jala läbi tagumise pideme. (57)

Tõmmake starteri pidet, 3: Tõmmake starteri pidet parema käega ja tõmmake käivitusnööri aeglaselt välja, kuni tunnete takistust (starteri pörklõngid aktiveeruvad), ning tõmmake seejärel tugevalt ja kiirelt, kuni mootoris süttib tuli.

Vajutage punane gaasihoob, 4, alla: Vajutage punane gaasihoob niipea alla, kui mootoris süttib tuli – selle tunneb ära pahvatava heli järgi.

Tõmmake starteri käepidet (5): Tõmmake nööri jõuliselt, kuni mootor käivitub.

Soe mootor

Käivituspositsioon, 1: Õhuklapi/gaasiklapi õige seadistus soojalt käivitamiseks saavutatakse, kui liigutada õhuklapi juhtelementi, tõmmates punast juhtelementi väljapoole – ülespoole. (56)

Kütusepump (2): Vajutage korduvalt kütusepumba kummilutti, kuni see täitub kütusega (vähemalt 6 korda). Lutt ei pea täiesti täis olema. (56)

Vajutage punane gaasihoob, 3, alla: See desaktiveerib õhuklapi, mida pole sooja kettsae käivitamiseks vaja. Käivitus-

/seiskamisüliti liikumine käivitab siiski tühikäigu kõrgetel pööretel, muutes soojalt käivitamise lihtsamaks.

Tõmmake starteri pidet, 4: Võtke vasaku käega eesmisest pidemest kinni. Hoidke kettsaagi maas, asetades parema jala läbi tagumise pideme. (57)

Tõmmake starteri pidet parema käega ja tõmmake käivitusnööri aeglaselt, kuni tunnete takistust (starteri pörklõngid aktiveerub), ning tõmmake seejärel tugevalt ja kiirelt, kuni mootoris süttib tuli.

Kuna ketipidur on sisse lülitatud, tuleb mootori pöörete arv viia võimalikult madalaks, peaaegu tühikäigule; selleks tuleb gaasihoovastiku lukustus välja lülitada. Välja lülitamisel tuleb ahendusklappi kergelt vajutada. Sellega kaitses sidurit, siduritruumlit ja pidurit liigse kulumise eest. Laske masinal mõned sekundit töötada tühikäigul enne kui annate täisgaasi.

Sae tagaosas (A) on lühike käivitusjuhend, kus tegevusjuhised on esitatud piltidel. (57)

TÄHELEPANU! Ära tõmba käivitusnööri täies pikkuses välja, ära lase käiviti käepidet lahti, kui see on väljatõmmatud asendis. See võib seadmele vigastusi tekitada.

Pange tähele! Ketipiduri väljalülitamiseks lükatakse tagasilöögikaitse käepideme suunas tagasi. Nüüd on kettsaag kasutamiseks valmis.



ETTEVAATUST! Tervisele on ohtlik pikemat aega sisse hingata mootori heitgaase, toimu ja pihustunud ketiõli.

- Ära käivita kettsaagi, millele pole korralikult paigaldatud kõiki katteid, saeketti või –lehte. Juhtsed on toodud Koostamist käsitlevas alajaotuses. Kui kettsaele pole paigaldatud saelatti ja saeketti, võib sidurisõlm lahti tulla ja põhjustada tõsisid kahjustusi.
- Käivitamisel peab ketipidur olema tööle rakendatud. Vaadake juhiseid peatükist Käivitamine ja seiskamine. Ärge hoidke käivitamisel kettsaagi õhus. Selline käivitamisviis on väga ohtlik, sest nii võib kergesti kaotada kettsae üle kontrolli. (55)
- Ära käivita seadet ruumis. Mootori heitgaasid võivad olla tervisele kahjulikud.
- Enne kui käivitad seadet, tee kindlaks, et läheduses ei ole inimesi ega loomi, kellele see võiks ohtlikuks osutuda.
- Hoidke kettsaagi kindlalt mõlema käega. Hoidke parema käega tagumisest käepidemest ja vasema käega esimesest käepidemest. **Nii peab hoidma kettsaagi sõltumata sellest, kas te olete vasakukäeline või paremakäeline.** Hoidke kindlalt põidlad ja sõrmed ümber käepidemete.

Seiskamine

Mootor seisatakse start/stopp hoova allavajutamiseks. (59)

TÄHELEPANU! Start/Stop kontakt läheb automaatselt tagasi töoasendisse. Soovimatu käivitamise vältimiseks tuleb seetõttu alati piip küünalt eemaldada, kui masin ei ole järelevalve all. (60)

TÖÖVÕTTED

Enne kasutamist tuleb alati: (61)

- 1 Kontrollida, et ketipidur töötab ega pole kahjustatud.
- 2 Kontrollida, et tagumise parema käepideme kaitse poleks kahjustatud.
- 3 Kontrollida, et gaasihoovastiku lukustus töötab korralikult ega pole kahjustatud.
- 4 Kontrollige, kas seiskamislüliti on korras ja töötab hästi.
- 5 Kontrollida, et kusagil käepidemetel poleks õli.
- 6 Kontrollida, et vibratsioonisummutussüsteem töötab ega pole kahjustatud.
- 7 Kontrollida, et summuti on korralikult kinni ega pole kahjustatud.
- 8 Kontrollida, et kõik kettsae osad on korralikult kinni ega pole kahjustatud või puudu.
- 9 Kontrollida, et ketipidur on oma koha peal ega pole kahjustatud.
- 10 Kontrollige keti pingsust.

Üldised tööeskirjad

TÄHTSI!

Käesolevas peatükis on põhilised kettsaega töötamise ohutuseeskirjad. Need eeskirjad ei asenda aga professionaalset oskusi, mida annab väljaõpe, ega kogemusi. Kui olukord on sulle tundmatu, katkesta töö ja palu abi asjatundjalt. Pöördu nõu küsimiseks kettsae müüja, hooldustöökaja või kogunud kettsae kasutaja poole. Ära hakka tööd tegema, kui sa tunned, et sul puuduvad selleks oskused ja kogemused!

Enne kui hakkad kettsaagi kasutama, pead teadma, mis on tagasiviskumine, kuidas see tekib ja kuidas seda ära hoida. Juhised on toodud alajaotuses Kuidas vältida tagasiviskumist.

Enne kui hakkad kettsaagi kasutama, pead teadma, mis vahe on juhtplaadi ülemise ja alumise äärega saagimisel. Vaadake juhiseid peatükist Meetmed tagasilöögi vältimiseks ja Seadme turvaravustus.

Kanna isiklikku ohutusvarustust. Juhised on toodud alajaotuses Isiklik ohutusvarustus.

Põhilised ohutuseeskirjad

- 1 Vaata ringi:
- Tee kindlaks, et tööpiirkonnas ei oleks inimesi, loomi ega midagi muud, mis võiks häirida sinu kontrolli seadme üle.
- Ja tee kindlaks, et ülalmainitud ei saa sattuda sae tööpiirkonda ega saada vigastatud langetest puudest.

TÄHELEPANU! Järgi ülalmainitud eeskirju, kuid ära kunagi kasuta kettsaagi olukorras, kus pole võimalik abi kutsuda.

- 2 Hoidu seadme kasutamisest halva ilmaga. Ära tööta paksu udu, kõva vihma, tuule või pakase korral. Halva ilmaga töötamine väsitab ja sellega kaasneb muid ohte, nagu libe maapind, puu ootamatult langemissuund jne.
- 3 Ole väga ettevaatlik, kui laasid peeneid oksa ja ära lõika võsa (palju peeneid oksa korraga). Peened oksad võivad haakuda saeketti ja tekitada ohtlikke vigastusi.

- 4 Veendu, et sa seisad kindlalt ja saad vabalt astuda. Vaata, et läheduses ei oleks tõkkeid, nagu juuri, kive, oksa, kraave jne., mis takistaksid sind juhul, kui peaksid olema sunnitud kiiresti liikuma. Ole eriti ettevaatlik mäeküljel töötades.
- 5 Ole eriti ettevaatlik, kui lõikad pinge all olevaid puid. Pinge all olev puu võib algasendisse tagasi painduda. Kui seisad vales paigas või teed sisselõike valesse kohta, võib puu sind või seadet tabada, nii et kaotad kontrolli seadme üle. See võib omakorda tekitada raskeid kehavigastusi.



- 6 Lülita mootor välja ja lukusta saekett ketipiduri abil, kui seadet on vaja teise kohta toimetada. Kanna kettsaagi nii, et juhtplaat ja kett on suunatud tahapoole. Pikemal transportimisel peab juhtplaat olema kaitstud kaitsekattega.
- 7 Kui te panete kettsae maapinnale, peab ketipidur olema tööle rakendatud ja teil tuleb sael ka silm peal hoida. Kui teete pikema vaheaja, lülitage mootor välja.



ETTEVAATUST! Vahe! takerduvad pilpad muhvi kattes, mille tõttu kiilub kett kinni. Puhastamise eel seisake alati mootor.

Üldised eeskirjad

- 1 Kui on teada, mis on tagasiviskumine ja kuidas see tekib, pole üllatus nii suur. Teadlikkus aitab ohtu vähendada. Hariilikut on tagasiviskumine küllalt nõrk, aga mõnikord võib see olla väga äkiline ja jõuline.
- 2 Hoiu parema käega alati tugevasti kettsae tagumisest käepidemest ja vasakuga esikäepidemest. Hoiu sõrmed kindlalt ümber käepidemete. Hoida tuleb mõlema käega, hoolimata sellest, kas oled parema- või vasakukäeline. Nii väheneb tagasiviskumise oht ja suureneb sinu kontroll kettsae üle. **Ära lase käepidemetest lahti!**
- 3 Suurem osa õnnetusi seoses tagasiviskumisega juhtub laasimisega. Kanna hoolt, et sul oleks hea ja tasakaalustatud tööasend ja et ees ei oleks midagi, millele võiksid komistada või mis võiks tasakaalu häirida.

Kui töötada tähelepanematult, võib juhtplaadi ohusektor riivata lähedal olevat oksa, puud või muud eset ja tekib tagasiviskumine.

Saetav puu peab olema kontrolli all. Kui te saete väikseid ja kergeid puutükke, võivad need jääda saeketti kinni ja paiskuda teie vastu. See võib ka mitte ohtlikke kahjustusi tekitada, aga siiski ehmatada ja te võite kaotada kontrolli sae üle. Ärge saagige virna või oksa hunnikus, võtke nad eraldi ette. Saagige ainult ühte tüve või oksa korraga. Võtke lahtisaetud tükid ära ja kontrollige, et teie töökoht oleks kogu aeg korras ja jalgealune kindel. **(62)**

- 4 **Ära kunagi sae kettsaega kõrvalt kui olakõrgusel ja ära lõika juhtplaadi otsaga. Ära hoiu kettsaagi kunagi ainult ühe käega! (63)**
- 5 Seisa kindlal pinnal, ainult siis on sul kindel kontroll kettsae üle. Ära kunagi tööta seadmega, kui sa seisad redeli peal, oled puu otsas või kui sul pole kindlat jalgealust. **(64)**

TÖÖVÕTTED

- Sae alati täisgaasil, siis liigub kett kiiresti.
- Ole väga ettevaatlik, kui lõikad juhtplaadi ülemise äärega, s.t. lõikad altpoolt. Siis toimub nn. lükkav lõikamine. Lükkaval lõikamisel lükkab saekett saagi tagasi operaatori poole. Kui saekett jääb kinni, võib kettsaag tagasi lüüa teie suunas. **(65)**
- Kui sul ei õnnestu saeketi lükkavale jõule vastu seista, võib kettsaag nii kaugele taha liukuda, et ainult juhtplaadi tagasiviskumise sektor jääb puuga kontakti, mille tulemuseks on tagasiviskumine. **(66)**
Lõikamist juhtplaadi alumise äärega, s.t. ülaltpoolt lõikamist, nimetatakse tõmbavaks lõikamiseks. Tõmbavalt lõikamisel tõmbab kettsaag ennast puu poole ja saag puhkab puul. Tõmbava lõikamise ajal on sul parem kontroll nii kettsae kui ka tagasiviskumise sektori üle. **(67)**
- Järgi teritamise ja hooldamise eeskirju. Kasuta ainult tootja poolt soovitatud juhtplaadi ja keti kombinatsioone. Juhised on toodud alajaotustes Lõikesead ja Tehnilised andmed.

Põhiline lõikamistehnika



ETTEVAATUST! Ärge saagige nii, et te hoiate kettsaagi ainult ühe käega. Ühe käega hoides ei saavuta te täielikku kontrolli kettsae üle. Hoidke seadet alati kahe käega ja kindlalt.

Üldised näpunäited

- Lõikamisel anna alati täisgaasi!
- Vähenda pöörded tühikäigule peale iga lõikamist (kui mootor käib täispöoretel liiga kaua ilma koormuseta, mida tekitab saagimine, võib ta rikki minna).
- Lõikamine ülalt = Tõmbav lõikamine.
- Lõikamine alt = Lükkav lõikamine.

Lükkav lõikamine suurendab tagasiviskumise ohtu. Juhised on toodud alajaotuses Kuidas vältida tagasiviskumist.

Oskussõnad

Lõikamine = Üldine nimetus puu läbisagimise kohta.

Laasimine = Langetatud puu küljest okste lõikamine.

Murdumine = Palk murdub enne, kui oled selle läbi saaginud.

Viis tegurit, millele tuleb enne lõikamist tähelepanu pöörata:

- Kanna hoolt, et juhtplaat ei kiiluks lõikesoones kinni. **(68)**
- Kanna hoolt, et palk ei murduks. **(69)**
- Kanna hoolt, et kett ei puudutaks maad või muud eset lõikamise ajal ega ka peale läbilõikamist. **(70)**
- Kontrolli, kas esineb tagasiviskumise ohtu. **(4)**
- Kas ilmaolud või ümbritsev pinnastik võivad mõjutada ohutust?

Keti kinnikiilumist ja palgi murdmist põhjustab palgi toetumisviis ja see, kas palk on pinge all või mitte.

Peeaeagu alati on võimalik neid probleeme vältida, lõigates palki kahes järgus: altpoolt ja ülaltpoolt. Toeta palki nii, et kett ei kiiluks kinni ja palk ei murduks lõikamise ajal.

TÄHTIS! Kui kett kiilub kinni, lülita mootor välja! Ära proovi kettsaagi lahti tõmmata. See võib vigastada ketti, kui kettsaag järsku lahti pääseb. Painuta lõikesoon näit. murdraua abil lahti ja vabasta juhtplaat.

Järgnevas kirjeldatakse tegutsemist tavalisemates olukordades, mis võivad ette tulla kettsaaga töötamisel.

Laasimine

Jämedaid oki laasides tuleb toimida samamoodi kui palki lõigates.

Lõika keerulised oksad mitmes järgus. **(71)**

Lõikamine



ETTEVAATUST! Ärge saagige puid, mis on virnas ega puid, mis on tihedalt üksteise vastas. Sellises tööolukorras on tagasilöökk väga kerge juhtuma ja see võib tekitada isegi eluohtliku vigastuse.

Kui teil on virnastatud puid vaja saagida, tuleb puud ükshaaval panna saepukile või saagimisalusele ja siis saagida.

Korjake saetud tükid kohe oma töökohast ära. Kui need jäävad jalgu, võib juhuslikult tekkida tagasilöökk ja te võite ka tasakaalu kaotada, kui te jalgealune pole korras. **(72)**

Palk lamab maas. Ei esine erilist ohtu keti kinnikiilumiseks ega palgi murdmiseks. Kuid kett võib puudutada maad pärast palgi läbilõikamist. **(73)**

Lõika palk läbi ülaltpoolt. Katsu vältida, et kett puutuks maad palgi läbilõikamise lõpul. Hoiat täisgaasi, aga ole ettevaatlik. **(74)**

Kui palki on võimalik keerata, sae läbi umbes 2/3 tüvest.

Keera palki ja lõika ülejäänud kolmandik teiselt poolt läbi. **(75)**

Palk toetub ühest otsast. Murdmise oht on suur. **(76)**

Alusta lõikamist altpoolt (lõika umbes 1/3 palgist läbi).

Lõpeta ülaltpoolt lõigates, et lõikesooned kohtuksid. **(77)**

Palk on toetatud mõlemast otsast. Oht keti kinnikiilumiseks on suur. **(78)**

Alusta lõikamist ülaltpoolt (lõika umbes 1/3 palgist läbi).

Lõpeta altpoolt lõigates, nii et lõikesooned kohtuvad. **(79)**

Langetamistehnika

TÄHTIS! Et puud langetada, on vaja suuri kogemusi. Kui sul pole kettsaaga töötamise kogemusi, ära langeta puid. Ära võta ette tööd, millega toime tulekus sa pole kindel!

Ohutsoon

Ohutsoon langetatava puu ja kõrvalseisja vahel on vähemalt 2 1/2 puu pikkust. Hoolitse selle eest, et enne langetamist ja langetamise ajal keegi ei viibiks ohutsoonis. **(80)**

TÖÖVÕTTED

Langetamissuund

Puu tuleb langetada järgevaks laasimiseks ja tükeldamiseks maksimaalselt heas suunas. Ala, kuhu puu langeb, peab olema töötamiseks sobiv.

Kui olet sustanud, mis suunas puu peab langema, pead arvesse võtma ka puu loomuliku langemissuunda.

Seda mõjutavad mitu tegurit:

- Kuhupoole on puu kaldu
- Kas puu on kõver
- Tuulesuund
- Okste paiknemine
- Lume raskus
- Takistused puu ümbruses: teised puud, õhujuhtmed, teed ja ehitised.
- Vaadake puu üle: kas puul pole kahjustusi või mädanikke, mis on puu langetamise seisukohalt olulised, enne kui hakkate puud langetama.

Võib juhtuda, et pead laskma puul langeda loomulikus langemissuunas, kuna on võimatu või ohtlik sundida seda soovitud suunas langema.

Veel üks väga tähtis tegur, mis ei mõjuta langetamissuunda, vaid sinu turvalisust, on vajadus kindlaks määrata, kas puul on vigastatud või surnud oksid, mis langetamisel võivad murduda ja pähe kukkuda.

Kõige tähtsam on, et puu ei langeks teisele puule otsa. Kinnijäänud puud langetada on väga ohtlik ning õnnetusohu on suur. Juhised on toodud alajaotuses Halvasti langenud puu käsitlemine. **(81)**

TÄHTIS! Ohtlike langetamiste korral peab kõrvaklapid kõrvadelt eemaldama kohe pärast saagimist, et hääled ja hoiatussignaalid oleksid kuulvad.

Tüve laasimine ja pääsetee kindlustamine

Laasige puult kuni öla kõrguseni kõik oksad. Töötage suunaga ülalt allapoole ja nii, et puutüvi jääks teie ja sae vahele. **(82)**

Eemalda puu all kasvav võsa ja veendu, et kivid, oksad, augud jne. ei tõkesta sinu pääseteed. Pääsetee peab olema kavandatava langetamissuuna suhtes umbes 135–kraadise nurga all. **(83)**

- 1 Ohupiirkond
- 2 Taganemistee
- 3 Langetamissuund

Langetamine



ETTEVAATUST! Kui sul puudub vastav väljaõpe, ära langeta puud, mille läbimõõt ületab juhtplaadi pikkuse!

Langetamine toimub kolme löikega. Kõigepealt tuleb teha langetussäik, mis koosneb ülemisest ja alumisest sisselõikest; lõpuks tuleb teha langetav sisselõige. Kui need löiked on tehtud õigesse kohta, on võimalik langemist suunata väga täpselt.

Langetussäik

Juhtsälgu väljalõikamisel alustatakse ülemisest löikest. Suunake sae langetussuunamärgistus (1) mõne eemal asuva sihtmärgi poole, kuhu soovite puud langetada (2). Seiske paremal pool puud, sae taga ning saagige tõmbava saeketiga.

Pärast seda tuleb teha alumine sisselõige, nii et see lõpeks samas kohas, kus ülemine sisselõige. **(84)**

Langetussuunda määrav säik peab ulatuma tüvesse 1/4 läbimõõdu võrra. Nurk ülemise ja alumise sisselõike vahel peab olema 45 kraadi.

Kohta, kus sisselõiked kohtuvad, nimetatakse langetussälgu jooneks. See peab olema täiesti horisontaalne ning valitud langemissuuna suhtes täisnurga (90°) all. **(85)**

Langetav sisselõige

Langetav sisselõige tuleb teha puu teisele poolele ja see peab olema täiesti horisontaalne. Seisa vasakul pool puud ja löika juhtplaadi alumise äärega.

Tee langetav sisselõige umbes 3–5 cm (1,5–2 loll) langetussälgu horisontaalioikest kõrgemale. **(86)**

Toeta kooretugi (kui see on paigaldatud) pideriba taha. Suru täisgaasiga saag aeglaselt tüvesse. Jälgi, kas puu ei hakka liikuma soovitud langetamissuunast erinevas suunas. Suru langetuskii või –raud sisselõikesse, niipea kui löige on selleks küllaltki sügav.

Lõpeta langetav sisselõige paralleelselt langetussälgu joonega, nii et vahemaa nende vahel on vähemalt 1/10 tüve läbimõõdust. Tüve läbilõikamata osa nimetatakse pideribaks.

Pideriba toimib nagu uksehing, mis kontrollib puu langemissuunda. **(87)**

Kui pideriba on liiga kitsas ning langetav sisselõige või langetussälgu suunda määravad sisselõiked ei ole tehtud õigesse kohta, ei ole üldse võimalik puu langemissuunda kontrollida. **(88)**

Kui langetussäik ja langetav sisselõige on tehtud, hakkab puu omaenda raskuse all langema. Vajaduse korral kasuta langetuskiiu või –rauda. **(89)**

Soovitame kasutada saagi, millel on puu läbimõõdust pikem saelatt, et te saaksite nii langetamisloike kui suunava löike teha ühelt poolt saagimisega, nn. lihtsaagimisega. Vaadake juhiseid peatükist Tehnilised näitajad, kus on toodud andmed, milliseid saelatte saab teatud mudelite puhul kasutada.

Leidub võimalusi ka selliste puude langetamiseks, mille tüve läbimõõt on suurem kui juhtplaadi pikkus. Sellega kaasneb siiski palju suurem tagasiviskumise oht, sest juhtplaadi ohusektor võib sattuda kergesti puuga kontakti. **(4)**

Halvasti langenud puu käsitlemine

"Kinnijäänud" puu vabastamine

Kinnijäänud puud langetada on väga ohtlik ning õnnetusohu on suur.

Ärge püüdke saagimisega alla saada teisele puule langenud puud.

Ärge töötage ohtlikus piirkonnas, kus on maapinnale langemata kinnijäänud puud. **(90)**

TÖÖVÕTTED

Kindlaim moodus on kasutada vintsi.

- Traktorile monteeritud vints
- Kaasaskantav vints

Pinge all olevate puude ja okste lõikamine

Ettevalmistused: Hinda, kuhupoole puu või oks liigub, kui see pääseb pingest, ning kus asub selle loomulik murdumiskoht (s.t. see koht, kus puu või oks murdub, kui seda veel rohkem painutada). (91)

Otsusta, missugune on kõige kindlam moodus pinget kõrvaldada ja kas saad seda teha ohutult. Rasketes olukordades on ainus ohutu moodus kettsaag ära panna ja kasutada vintsi.

Üldised näpunäited:

Seisa nii, et puu või oks ei tabaks sind, kui see pinget alt vabaneb. (92)

Tee sisselõikeid murdumispunktis või selle läheduses. Tee üks või mitu sisselõiget nii sügavalt, kui vaja pinget vähendamiseks ja tüve või oksa murdumiseks murdumispunktis. (93)

Ära lõika kunagi otse läbi pinget all olevat puud või oksa!

Kui teil tuleb saagida läbi puutüve või oksa, tehke kaks-kolm lõiget 3 cm vahedega 3–5 cm sügavuseni. (94)

Jätka saagimist, et oks või tüvi vabaneks pingest. (95)

Saagige puud või oksa teiselt poolt, kui pinget on vabanenud.

Tagasiviskumise vältimine



ETTEVAATUST! Tagasiviskumine võib olla väga ootamatu ja jõuline; operaatore poole võib lüüa kettsaag, juhtplaat või kett. Kui kett sel momendil jookseb, võivad tagajärjeks olla rasked või isegi eluohtlikud vigastused. Seetõttu on väga tähtis, et teaksid, millest tagasiviskumine tekib ja kuidas seda vältida ettevaatlikkuse ja õigete töövõtete ga.

Mis on tagasiviskumine?

Tagasiviskumine on kettsae kiire reaktsioon, mis tekib siis, kui juhtplaadi otsa ülemine veerand ehk ohusektor riivab mingit eset ja selle peale saag tagasi lööb. (66)

Tagasiviskumine on alati juhtplaadi sihis. Enamasti viskub kettsaag juhtplaadiga üles või tahapoole, kasutaja suunas. Mõnikord võib ette tulla tagasiviskumist ka teistes suundades, sõltuvalt sellest, kuidas paikneb kettsaag, kui selle ohusektor eset riivab. (7)

Tagasiviskumine tekib ainult siis, kui juhtplaadi tagasiviskumise ohusektor riivab eset. (4)

Laasimine



ETTEVAATUST! Suurem osa õnnetustest tagasilöögiga juhtub puude laasimisel. Ärge kasutage saagimiseks tagasilöögisektorit. Olge ettevaatlik, ärge laske saelati otsa puutuda vastu tüve, oksa või muid esemeid. Eriti ettevaatlik tuleb olla okstega, mis on pinget all. Oks võib teie vastu paiskuda, kui see pingest vabaneb ja tekitada tõsise kahjustuse.

Veendu, et sa saad kindlalt seista ja takistamatult tööd teha! Töötades seisa vasakul pool tüve. Hoi a kettsaagi keha lähedal, et sul oleks sae üle maksimaalne kontroll. Kui on võimalik, lase kettsael toetuda puutüvele.

Hoi a alati kettsaagi enda suhtes teisel pool tüve.

Palgi tükeldamine

Juhised on toodud alajaotuses Põhiline lõikamistehnika.

Üldised näpunäited

Seadme kasutaja võib teha ainult selliseid hooldamis- ja korrastustöid, mida on kirjeldatud käesolevas kasutusjuhendis. Keerukamate tööde tegemiseks tuleb pöörduda volitatud töökoja poole.

Karburaatori seadistamine

Sinu Husqvarna-toode on konstrueeritud ja valmistatud selliste omadustega, mis vähendavad kahjulikke heitgaase.

Töö

- Karburaator juhib läbi gaasiregulaatori mootori pööreid. Karburaatoris seguneb kütus õhuga. Õhu ja kütuse segu koostist saab reguleerida. Et kasutada ära seadme maksimaalset võimsust, peab seadistus olema täpne.
- T-kruvi reguleerib gaasihoovastiku asendit tühikäigul. Keera T-kruvi päripäeva, et tühikäigul oleks kõrgem pöörete arv ja vastupäeva, et pöörete arv oleks väiksem.

Algseadistus ja sissetöötamine

Katsetamisel tehases tehakse karburaatori algseadistus. Peenseadistust teeb vastava väljaõppe saanud inimene.

Soovit. tühikäigu pööretearv: Vt. pkt. Tehnilised andmed.

Tühikäigu T peenseadistus

Tühikäiku reguleeritakse kruvi T abil. Keera tühikäigukruvi T päripäeva, kuni kett hakkab liikuma. Keera pärast seda kruvi uuesti tagasi, kuni kett jääb seisma. Õigesti seadistatud tühikäigu pöörete puhul töötab mootor ühtlaselt igas asendis teatud pöörete piires, enne kui kett hakkab liikuma.



ETTEVAATUST! Kui ei ole võimalik reguleerida tühikäiku nii, et kett seisab, pöördu hoolduspunkti. Ära kasuta kettsaagi enne, kui see on õigesti seadistatud või parandatud.

Õigesti seadistatud karburaator

Õigesti seadistatud karburaator võimaldab takistamatut kiirendust ja annab õige podiseva mootorimüra. Lisaks sellele ei tohi tühikäigul kett liikuda. Liiga lahjale segule reguleeritud L-suuline teeb seadme käivitamise raskeks ja takistab kiirendamist. Kui H-suuline on seadistatud liiga lahjale segule, on seadmel väike võimsus, halb kiirendus ja see võib vigastada mootorit.

Kettsae ohutusvarustuse kontroll, korrashoid ja hooldus

Pange tähele! Seadme hooldamine ja parandamine nõuab vastavat väljaõpet. Eriti oluline on see turvavarustuse osas. Kui teie seadme kontrollimisel selgub, et mõni allpool nimetatud asjadest pole korras, tuleb seade viia parandusse.

Ketipidur ja turvakäepide

Kontrolli lintpiduri kulumist



Pühi ära saepuru, vaik ja saast, mis on kogunenud lintpidurile või sidurikettale. Saast ja kulumine võivad halvendada piduri toimimist. (96)

Kontrolli regulaarselt, et pidurilint oleks kõige õhemast kohast vähemalt 0,6 mm paks.

Kontrolli turvakäepidid



Kontrolli, et turvakäepidemel ei oleks pragusid ega muid nähtavaid vigastusi.

Liiguta turvakäepidid edasi-tagasi, kontrollimaks, et see liigub vabalt ning et see on tugevalt kinnitatud sidurikaitse külge.

Kontrolli automaatpidurit



Hoidke väljalülitatud mootoriga kettsaagi kännu või muu kindlalt püsiva asja kohal. Laske lahti esimene käepide ja laske kettsaag oma raskuse maad või mingeid esemeid. Vt. juhiseid alajaotusest Käivitamine ja seiskamine. (97)

Kui juhtplaat puudutab kändu, peab pidur toimima. (98)

Kontrolli piduriülilit

Käivita kettsaag ja asetage see kindlale pinnale. Kanna hoolt, et kett ei puudutaks maad või mingeid esemeid. Vt. juhiseid alajaotusest Käivitamine ja seiskamine. (99)

Võta kettsaag kindlalt kätte, haarates sõrmedega ümber käepidemete.

Anna täisgaasi ja aktiveeri ketipidur, surudes käerandme vastu turvakäepidid. Ära lase esikäepidemest lahti. **Kett peab kohe peatuma. (58)**

Gaasihoovastiku sulgur

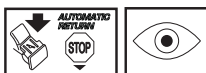


- Kontrolli, kas gaasihoovastik sulgub tühikäigul, kui gaasihoovastiku sulgur läheb oma lähteasendisse. (100)

HOOLDUS

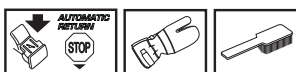
- Vajuta gaasihoovastiku sulgurit ja kontrolli, kas see läheb, kui lased ta lahti, tagasi algasendisse. (101)
- Kontrolli, kas gaasihoovastik ja gaasihoovastiku sulgur liiguvad vabalt ja kas tagasitõmbevedrud töötavad korralikult. (102)
- Käivita kettsaag ja anna täisgaasi. Lase gaasihoovastik lahti ja kontrolli, kas kett peatub täielikult. Kui kett pöörleb sel ajal, kui gaasihoovastik on seatud tühikäigule, pead kontrollima karburaatori tühikäigu reguleerimist.

Ketipüüdja



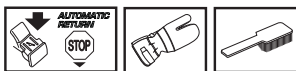
Kontrolli, et ketipüüdja ei oleks vigastatud ning et see oleks kindlalt kinnitatud kettsae korpusele. (103)

Parema käe kaitse



Kontrolli, et parema käe kaitsele ei oleks pragusid ega muid nähtavaid vigastusi. (11)

Vibratsioonisummutussüsteem



Kontrolli korrapäraselt, et amortiseerivad elemendid ei oleks pragunenud ega deformeerunud. Kanna hoold, et amortiseerivad elemendid oleks kindlalt kinnitatud mootori ja käepidemete külge. (104)

Seiskamisüliti



Käivita mootor ja kontrolli, kas mootor seiskub, kui lükkad üliti seiskamisasendisse. (59)

TÄHELEPANU! Start/Stop kontakt läheb automaatselt tagasi tööasendisse. Soovimatu käivitumise vältimiseks tuleb seetõttu monteerimise, kontrolli ja/või hoolduse ajaks alati piip künlalt eemaldada.

Summuti



Ära kasuta kunagi vigastatud summutiga seadet.

Kontrolli korrapäraselt, kas summuti on kindlalt seadme külge kinnitatud. (105)

Teatud summutitüübid on varustatud erilise sädemeid püüdva võrguga. Puhasta võrku kord nädalas. Selleks on soovitatav

kasutada terasharja. Ummistunud võrgu tõttu läheb mootor kuumaks ja see põhjustab mootori kahjustuse.

Pange tähele! Asenda vigastatud võrk uuega. Musta võrguga seade kuumeneb üle, mis võib vigastada silindrit ja kolbi. Ära kunagi kasuta vigastatud summutiga seadet. **Ära kasuta kunagi summutit, millel puudub sädemeüüdja või mille sädemeüüdja on vigastatud.** (13)

Summuti ülesandeks on summutada müra ja suunata heitgaasid operatoorist eemale. Heitgaasid on kuumad ja võivad sisaldada sädemeid, mis võivad tekitada tulekahju, kui läheduses on kergesti süttivaid esemeid.

Käiviti



ETTEVAATUST! Tagasitõmbevedru asetseb vinnastatult käivitikambri ja võib hooletu käsitsemise puhul välja pääseda ja tekitada kehavigastusi.

Käivitusnööri või käivitusvedru vahetamisel tuleb olla ettevaatlik. Kasutage kaitseprille ja kaitsekindaid.

Käivitusnööri vahetamine



- Ava kruvid, millega käiviti on karteri külge kinnitatud ja eemalda käiviti. (106)
- Tõmba nööri välja umbes 30 cm ja vea nööriratta servas asetsevat soonest läbi. Vabasta tagasitõmbevedru, lastes rattal aeglaselt tagurpidi pöörelda. (107)
- Keerake lahti nööriratta kaskmes olevad kruvid ja võtke välja vedamisketas (A), vedamisvedru (B) ja nööriratas (C). Pange nöörirattale uus käivitusnöör ja kinnitage. Keerake nöörirattale umbes kolm keerdu käivitusnööri. Paigaldage nööriratas tagasitõmbevedru (D) vastu, nii et tagasitõmbevedru ots haakuks nööriratta külge. Seejärel paigaldage vedamisvedru, vedamisketas ja kruvid nööriratta keskmesse. Pange käivitusnöör läbi käiviti avast ja käivituskäepidemest. Tehke käivitusnööri korralik sõlm. (108)

Tagasitõmbevedru vinnastamine

- Tõmba käivitinöör nööriratta soonest läbi ja keera ratas umbes 2 tiiru päripäeva.

Pange tähele! Kontrolli, et ratas saab veel keerata vähemalt 1/2 tiiru täiesti välja tõmmatud nööri puhul. (109)

Pingutage nööri käepidemest. Võtke põjal ära ja laske nöör lahti. Vaadake alltoodud joonist. (110)

Purunenud tagasitõmbe- ja vedamisvedru vahetamine



Tagasitõmbevedru (A)

- Eemalda nõoiratas. Juhised on toodud alajaotuses Katkenud või kulunud starterinööri vahetamine. Ära unusta, et tagasitõmbevedru on starteris vinnastatud.
- Võta starteri küljest maha kassett tagasitõmbevedruga.
- Õlita tagasitõmbevedru vedela õliga. Paigalda kassett tagasitõmbevedruga starteri külge. Paigalda nõoiratas ja pinguta tagasitõmbevedru.

Vedamisvedru (B)

- Keerake lahti nõoiratta kaskmes olevad kruvid ja võtke välja vedamisketas ja vedamisvedru.
- Vahetage vedamisvedru ja paigaldage vedamisketas vedru peale. (111)

Käiviti paigaldamine

- Käiviti paigaldamisel tõmba kõigepealt käivitinöör välja ja aseta käiviti oma kohale karteri küljes. Lase käivitinööri aeglaselt sisse joosta, et hambad haakuksid nõoirattasse.
- Paigalda kinnituskruvid ja pinguta neid.

Õhufilter



Puhasta õhufiltrit korrapäraselt tolmust ja mustusest, vältimaks:

- Häireid karburaatori töös
- Käivitamisraskusi
- Võimsuse vähenemist
- Mootori osade asjatut kulumist
- Liigset kütusekulu.
- Eemalda filtrikate ja võta õhufilter lahti. Paigaldamisel kontrolli, et õhufilter oleks tihedalt vastu filtrihoidjat. Filter raputatakse või harjatakse puhtaks. (112)

Põhjalikumaks puhastamiseks pese õhufiltrit seebilahuses.

Pikemat aega kasutatud õhufiltrit ei saa enam täiesti puhtaks. Sellepärast tuleb see korrapäraselt uuega asendada.

Vigastatud õhufilter tuleb kohe välja vahetada.

HUSQVARNA kettsaagi saab varustada eri tüüpi õhufiltritega, olenevalt töö- ja ilmastikuoludest. Küsi nõu müügiesindajalt.

Süüteküünlad



Süüteküünla töövõimet mõjutavad:

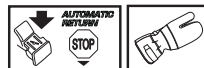
- Valesti seadistatud karburaator.
- Vale õlisegu kütuses (liiga palju või vale õli).
- Määrdund õhufilter.

Need tegurid tekitavad setteid süüteküünla elektroodidel ja võivad põhjustada tööhäireid ning käivitusraskusi.

Väikese võimsuse, raske käivitamise või ebaühtlase tühikäigu puhul kontrolli alati kõigepealt süüteküünalt, enne kui võtad ette teisi meetmeid. Puhasta must süüteküünal ja kontrolli samal ajal, kas elektroodide vahe on 0,5 mm. Vaheta süüteküünal pärast kuujalist kasutamist või vajaduse korral varem. (113)

Pange tähele! Kasuta alati soovitatud süüteküünla tüüpi! Vale süüteküünal võib vigastada kolbi või silindrit. Kontrolli, et küünaldel oleks raadiohäirete kaitse.

Nõellaagri määrimine

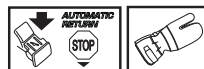


Siduritrümmil on välja juu võlli juures nõellaager. Seda nõellaagrit tuleb korrapäraselt määrida.

Määrimiseks tuleb sidurikate maha võtta, milleks keeratakse lahti kaks mutrit. Pange saag küljeli, nii et siduritrümm oleks ülespoole.

Määrimiseks tilgutatakse mootoriõli läbi siduritrümmi keskmes oleva õlitusava ja samal ajal keeratakse siduritrümmi ringi. (114)

Jahutussüsteem



Võimalikult madala töotemperatuuri tagamiseks on seade varustatud jahutussüsteemiga.

Jahutussüsteem koosneb järgnevatest osadest:

- Õhu sisseimemisava käivitis.
- Õhukanal.
- Ventilaatoritiivad hoorattal.
- Jahutusribid silindril.
- Silindrikate (juhhi jahutusõhu silindrisse). (115)

Puhasta jahutussüsteemi kord nädalas harjaga, raskete tööolude puhul tihedamini. Määrdund või ummistunud jahutussüsteemi puhul kuumeneb seade üle, mis vigastab silindrit ja kolbi.

Tsentrifugaalpuhastus "Air injection"

Tsentrifugaalpuhastus tähendab seda, et kogu karburaatorisse sisenev õhk läbib käiviti. Jahutusventilaator eemaldab tsentrifugaaljõu abil õhust mustuse ja tolmu. **(116)**

TÄHTIS! Tsentrifugaalpuhastuse korraliku toimimise eelduseks on korrapärane hooldus ja puhastus. Puhasta käiviti õhuimemisava, hooratta ventilaatoritiivad, hoorattast ümbritseva ala, sisseimemistoru ja karburaatorikamber.

Töötamine talvel

Kuiseadet kasutatakse külmas ja lumes, võib seadme töös ette tulla raskusi, mis on põhjustatud järgnevast:

- liiga madal mootoritemperatuur.
- õhufiltri jäätumine ja karburaatori kinnikülmumine.

Nende vältimiseks on vaja erilisi meetmeid, nagu nt.:

- käiviti õhuimemisvõime osaline takistamine, mis tõstab mootori temperatuuri.

Temperatuur -5°C või külmem:



Töötades külma ilmaga või koheva lumega aseta käivitile eriotstarbeline lisakate. See vähendab mootorisse tõmmatava külma õhu ja lume hulka. **(117)**

TÄHELEPANU! Kui eriotstarbeline talvekate on paigaldatud või rakendatud temperatuuri tõstvaid meetmeid, on vaja karburaator seadistada nii, nagu töötatakse normaalsetel temperatuuridel. Muidu võib seade üle kuumeneda ja mootoris tekkida kahjustusi.

TÄHTIS! Ülejäänud hooldus, mida käesolevas käsitsemisjuhendis pole kirjeldatud, tuleb jätta vastava väljaõppe saanud tehnikule (pöördu müüja poole).

HOOLDUS

Hoolduskeem

Alljärgnevas on toodud seadme hooldustööde nimekiri. Enamike tööde kohta on antud ka kirjeldus osas Hooldus.

Igapäevane hooldus	Iganädalane hooldus	Igakuine hooldus
Puhasta seade väljastpoolt.	Kontrollige jahutussüsteemi iga nädal.	Kontrollige ketipiduri pidurdusrihma, kas see pole kulunud. Kui kõige kulunumas kohas on järel vaid 0,6 mm, vahetage rihm.
Kontrolli, et gaasihoovastiku liikuvad osad toimiksid ohutuseeskirjade kohaselt. (Gasihoovastikusulgur ja gaasihoovastik.)	Kontrollige käiviti, käivitusnööri ja tagasitõmbevedru.	Kontrolli, kas siduri osad – sidurikorb, – vedru ja –ketas – pole kulunud.
Puhasta ketipidur ja kontrolli selle ohutuseeskirjade kohast toimimist. Kontrolli, et ketipüüdja ei oleks vigastatud; asenda see vajaduse korral.	Kontrollige, kas vibratsioonisummutuselemendid on korras.	Puhasta süüteküünl. Kontrolli, et elektrootide vahe oleks 0,5 mm.
Ühtlase kulumise tagamiseks tuleb saelatti korrapäraselt pöörata. Kontrollige, ega saelati õlitusauk pole ummistunud. Puhastage ketisoon.	Määri siduriketta laagrit.	Puhasta karburaatorit väljastpoolt.
Kontrolli, kas juhtplaat ja kett saavad küllaldaselt õli.	Vii li maha karedus juhtplaadi külgedel.	Kontrolli kütusefiltrit ja –voolikut. Vajadusel vaheta.
Kontrollige, kas saeketil pole nähtavaid pragusid neetides ja lülides, kas needid ja lülid pole liiga kulunud, kas saekett pole jäik. Vahetage, kui vaja.	Tee summuti sädemepüüdja võrk puhtaks või vaheta välja.	Puhastage kütusepaak seest pärast selle tühjendamist.
Terita kett ja kontrolli selle pinget ja seisundit. Kontrolli, et keti veoratas ei oleks üleliigselt kulunud, asenda vajaduse korral.	Puhasta karburaator ja selle ümbrus.	Tühjendage õlipaak ja puhastage seest.
Puhastage käiviti õhusissepääsuava.	Puhasta õhufilter. Asenda vajaduse korral.	Kontrolli kõik juhtmed ja ühendused.
Kontrolli, et kruvid ja mutrid oleksid korralikult kinnitatud.		
Kontrolli, kas seiskamislüliti toimib.		
Kontrolli, et mootorist, kütusepaagist ja –voolikutest ei pihkuks kütust.		
Veenduge, et kett ei pöörle, kui mootor on tühikäigul.		

TEHNILISED ANDMED

Tehnilised andmed

	435 II	435e II	440 II	440e II
Mootor				
Silindri maht, cm ³	40,9	40,9	40,9	40,9
Silindri läbimõõt, mm	41	41	41	41
Käigu pikkus, mm	31	31	31	31
Pöörlemiskiirus tühikäigul, p/min	2900	2900	2900	2900
Võimsus, kW/ p/min	1,6/9000	1,6/9000	1,8/9000	1,8/9000
Süütesüsteem				
Süüteküünlad	NGK BPMR 7A/ Champion RCJ 7Y	NGK BPMR 7A/ Champion RCJ 7Y	NGK BPMR 7A/ Champion RCJ 7Y	NGK BPMR 7A/ Champion RCJ 7Y
Elektroodide vahe, mm	0,5	0,5	0,5	0,5
Kütuse- /määrimissüsteem				
Bensiinipaagi maht, l	0,37	0,37	0,37	0,37
Õlipumba tootlikkus 9 000 p/min puhul, ml/min	13	13	13	13
Õlipaagi maht, liitrit	0,25	0,25	0,25	0,25
Õlipumba tüüp	Automaatne	Automaatne	Automaatne	Automaatne
Kaal				
Kettsae kaal juhtplaadita, ketita ning tühjade paakidega, kg	4,2	4,4	4,2	4,4
Müraemissioon (vt. märkust 1)				
Müra võimsustase, dBA	112	112	113	113
Müra võimsustase, garanteeritud L _{WA} dBA	114	114	114	114
Müratase (vt. märkust 2)				
Ekvivalentne müra rõhutase kasutaja kõrvas, dBA	102	102	102	102
Ekvivalentsed vibratsioonitasemed, a_{hveq} (vt 3. märkust).				
Esikäepide, m/s ²	2,5	2,5	2,5	2,5
Tagumine käepide, m/s ²	3,2	3,2	3,2	3,2
Kett/juhtplaat				
Standardne juhtplaadi pikkus, tolli/cm	13"/33	13"/33	13/33	13"/33
Soovitatud juhtplaadi pikkus, tolli/cm	13-18/33-45	13-18/33-45	13-18/33-45	13-18/33-45
Efektive löikepikkus, tollid/cm	12-17/31-43	12-17/31-43	12-17/31-43	12-17/31-43
Ketisamm, tolli/mm	0,325/8,25	0,325/8,25	0,325/8,25	0,325/8,25
Veolüli paksus, tolli/mm	0,050/1,3	0,050/1,3	0,050/1,3	0,050/1,3
Veoratta tüüp/hammade arv	Spur/7	Spur/7	Spur/7	Spur/7
Keti kiirus 133% juures mootori maksimaalse võimsuse kiirusest, m/s.	23,1	23,1	23,1	23,1

Märkus 1: ümbritsevasse keskkonda leviva müra võimsus (L_{WA}), mõõdetud vastavalt EÜ direktiivile 2000/14/EÜ.

2. märkus: ISO 22868 järgi arvutatakse helirõhutaseme ekvivalenti eri helirõhutasemete kaalutud dünaamilise energia summana eri töötingimustel. Helirõhutaseme ekvivalenti statistilisel tüüplevil on standardset 1 dB (A) kõrvalekalle.

3. märkus: ISO 22867 järgi arvutatakse ekvivalentne vibratsioonitase vibratsioonitasemete kaalutud dünaamilise energia summana eri töötingimustel. Antud ekvivalentse vibratsioonitase statistiline tüüplevi (standardne kõrvalekalle) on 1 m/s².



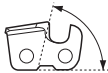
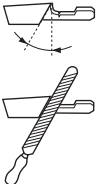

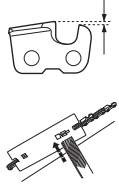
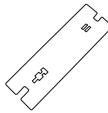
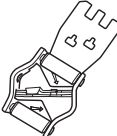
TEHNILISED ANDMED

Juhtplaadi ja keti kombinatsioonid

Need saagimiseadmed on ette nähtud Husqvarna mudelitele 435 II, 435e II, 440 II ja 440e II.

Juhtplaat				Saekest	
Pikkus, tollides	Ketisamm, tolli	Saetee laius, mm	Maksimaalne tähiku hammaste arv.	Tüüp	Pikkus, veolülid (tk)
13	0,325	1,3	10T	Husqvarna H30	56
15					64
16					66
18					72

Saeketi teritamine ja teritusmallid.

							
H30	3/16 / 4,8	85°	30°	10°	0,025 / 0,65	5056981-00	5056981-08

EÜ kinnitus vastavusest (Kehtib vaid Euroopas)

Käesolevaga kinnitab **Husqvarna AB**, SE-561 82 Huskvarna, Rootsi, tel. +46-36-146500, et **Husqvarna metsahooldustööde kettsaad 435 II, 435e II, 440 II ja 440e II** alates 2013. aasta seerianumbritest (aastaarv ja sellele järgnev seerianumber on märgitud selgelt mudeli etiketile) vastavad NÕUKOGU DIREKTIIVIS toodud nõudmistele:

- 2006/42/EÜ (17. mai 2006. a) „mehhanismide kohta“
- elektromagnetilise ühilduvuse direktiiv 15. detsember 2004, **2004/108/EMÜ**.
- müradirektiiv 8. maist 2000 **2000/14/EÜ**.

Teave müra kohta on toodud peatükis Tehnilised andmed. Järgitud on alljärgnevaid standardeid:

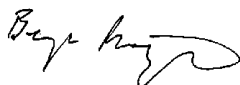
EN ISO 12100:2010, ISO 14982:2009, EN ISO 11681-1:2011

Kontrollorgan: **0404, SMP Svensk Maskinprovning AB**, Box 7035, SE-750 07 Rootsiss Uppsalas on teostanud EÜ tüübikontrolli vastavalt masinadirektiivi (2006/42/EÜ) artiklile 12, punkt 3b. EÜ-tüübikinnitused vastavalt lisale IX kannavad numbrit: **0404/09/2012** - 435 II, 435e II, 440 II, 440e II.

SMP Svensk Maskinprovning AB, Box 7035, SE-750 07 Rootsiss Uppsalas kinnitab lisaks eelnevale vastavust nõukogu 2000. aasta 8. mai müradirektiivi 2000/14/EÜ lisale V. Sertifikaatide numbrid on: **01/161/075** - 435 II, 435e II, **01/161/074** - 440 II, 440e II.

Tarnitud kettsaag on identne EÜ tüübikontrolli läbinud seadmega.

Huskvarna 8. aprill 2013. aasta



Bengt Frøgelius, Arendusdirektor Ketsae (Husqvarna AB volitatud esindaja ja tehnilise dokumentatsiooni eest vastutaja.)

SIMBOLU NOZĪME

Simboli uz mašīnas:

BRĪDINĀJUMS! Motorzāģi var būt bīstami! Neuzmanīga vai nepareiza lietošana var izraisīt nopietnas traumas vai lietotāja un citu nāvi.

Lūdzu izlasiet šo lietošanas pamācību uzmanīgi un pārliecinaties, ka pirms mašīnas lietošanas esat visu sapratis.

Vienmēr lietojiet:

- Atzītu aizsargķiveri
- Atzītas aizsargaustiņas
- Aizsargbrilles vai vizieri

Šis ražojums atbilst spēkā esošajām CE direktīvām.

Trokšņu emisijas līmenis atbilstoši Eiropas Kopienas direktīvai. Mašīnas emisijas tiek norādītas daļā Tehniskie dati un uzlīmē.

Aizdedze; gaisa vārsts: Iestādiet gaisa vārstu "choke" pozīcijā. Līdz ar to stopkontakts automātiski nostājas starta pozīcijā.

Degvielas uzpilde.

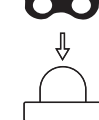
Ķēdes eļļas uzpilde

Degvielas sūkņis.

Eļļas sūkņa regulēšana.

Ķēdes bremze, aktivēta ķēdes bremze (labā), neaktivēta(kreisā).

Pārējie uz mašīnas norādītie simboli/norādes atbilst noteiktu valstu sertifikācijas prasībām.



Simboli pamācībā:

Pārbaude un/vai apkope ir jāveic ar izslēgtu motoru. **UZMANĪBU!** Start/ Stop kontakts automātiski atgriežas darba stāvoklī. Lai izvairītos no nejaušas iedarbināšanas, aizdedzes sveces uzgalis vienmēr ir jāatvieno no aizdedzes sveces jebkurā montāžas, kontroles un/vai apkopes gadījumā.



Vienmēr lietojiet atzītus aizsargcimdus.



Nepieciešama regulāra tīrīšana.



Pārbaudīt, apskatot.



Nepieciešams valkāt aizsargbrilles vai vizieri.



Degvielas uzpilde.



Eļļas uzpilde un tās plūsmas regulēšana.



Iedarbinot motorzāģi, ķēdes bremzei ir jābūt aktivizētai.



BRĪDINĀJUMS! Atsitieni rodas, kad sliedes gais nonāk kontaktā ar kādu priekšmetu un izraisa reakciju, kas sliedi pamet augšup un pret lietotāju. Tas var izraisīt nopietnu personas traumu.



Saturs**SIMBOLU NOZĪME**

Simboli uz mašīnas:	324
Simboli pamācībā:	324

SATURS

Saturs	325
--------------	-----

IEVADS

Godājamais klient!	326
--------------------------	-----

KAS IR KAS?

Kas ir kas motorzāģim?	326
------------------------------	-----

VISPĀRĒJAS DROŠĪBAS INSTRUKCIJAS

Pasākumi pirms jaunā motorzāģa lietošanas	327
Svarīgi	327
Rikojieties saprātīgi	328
Individuālais drošības aprīkojums	328
Mašīnas drošības aprīkojums	328
Griešanas aprīkojums	330

MONTĀŽA

Sliedes un ķēdes montāža	333
--------------------------------	-----

DEGVIELAS LIETOŠANA

Degviela	334
Degvielas uzpildīšana	335
Drošība darbā ar egvielu	335

IEDARBINĀŠANA UN APSTĀDINĀŠANA

Iedarbināšana un apstādināšana	336
--------------------------------------	-----

DARBA TEHNIKA

Pirms katras lietošanas reizes:	337
Vispārējās darba instrukcijas	337
Izvairīšanās no rāvieniem	340

APKOPE

Vispārēji	341
Karburatora regulēšana	341
Motorzāģa drošības aprīkojuma pārbaude, apkalpe un serviss	341
Trokšņa slāpētājs	342
Starteris	342
Gaisa filtrs	343
Aizdedzes svece	343
Adatgultna ieeļļošana	343
Dzesēšanas sistēma	343
Centrifugālā tīrīšana ar "Air Injection"	344
Lietošana ziemā	344
Apkopes grafiks	345

TEHNISKIE DATI

Tehniskie dati	346
Sliedes un ķēdes kombinācijas	347
Ķēdes asināšana un šablons	347
Garantija par atbilstību EK standartiem	347

Godājamais klient!

Apsveicam jūs ar izvēli, iegādājoties Husqvarna izstrādājumu! Husqvarna tradīcijām bagātā vēsture sākas 1689. gadā, kad karalis Kārlis XI atļāva Huskvarnas upes krastā atļāva uzcelt muskešu fabriku. Novietojums pie Huskvarnas upes bija loģisks, jo upi varēja izmantot elektroenerģijas ieguvei. Vairāk nekā 300 gadu laikā fabrika ir ražojusi visdažādākos izstrādājumus, sākot no malkas krāšņim līdz modernām virtuves mašīnām, šujmašīnām, velosipēdiem, motocikliem utt. 1956. gadā tika izlaista pirmā zilāja plaujmašīna un 1959. gadā pirmais motorzāģis, kurus Husqvarna ražo joprojām.

Husqvarna šodien ir pasaulē vadošais mežu un dārzu izstrādājumu ražotājs, kura produktus raksturo kvalitāte un augsti tehniskie parametri. Biznesa idejas pamatā ir motorizētu izstrādājumu izstrādāšana, mārketingu un ražošanu meža un dārzu kā arī celtniecības vajadzībām. Husqvarna mērķis ir būt avangardā ergonomikas, ērtību, drošības un vides saudzēšanas jomās, tāpēc izstrādājumi tiek pastāvīgi uzlaboti tieši šajos aspektos.

Mēs esam pārliecināti, ka jūs ar gandarījumu novērtēsiet mūsu produktu kvalitāti un tehniskās iespējas. Jebkurš mūsu izstrādājumu pirkums nodrošina jums profesionālu palīdzību, kad nepieciešams remonts un apkope. Ja precīzi jūs nopērkāt citur nekā mūsu specializētos veikalos, uzziniet, kur atrodas tuvākā specializētā servisa darbnīca.

Mēs ceram, ka Jūs būsit apmierināts ar iegādāto mašīnu un tā Jums izcili kalpos daudzus gadus. Atcerieties, ka šī lietošanas pamācība ir svarīgs dokuments. Ievērojot tās saturu (lietošana, serviss, apkope utt.), Jūs būtiski pagarināsiet mašīnas mūžu un tās otrreizējo vērtību. Ja jūs pārdosiet to, nododiet lietošanas pamācību jaunajam īpašniekam.

Paldies, ka jūs lietojat Husqvarna izstrādājumu!

Husqvarna AB pastāvīgi strādā, lai pilveidotu savus izstrādājumus un tāpēc saglabā tiesības izdarīt izmaiņas, piem., izstrādājumu formā un izskatā bez iepriekšēja paziņojuma.

Kas ir kas motorzāģim? (1)

- 1 Cilindra vāks
- 2 Degvielas sūkņis.
- 3 Sākuma instrukcija
- 4 Kombinēts kontakts iedarbināšanai un apturēšanai
- 5 Aizmugurējais rokturis
- 6 Informācijas un brīdinājuma uzlīme
- 7 Degvielas tvertne
- 8 Karburatoru regulējošas skrūves
- 9 Startera rokturis
- 10 Starteris
- 11 Ķēdes eļļas tvertne
- 12 Produkta un sērijas numura etiķete
- 13 Koka gāšanas virziena apzīmējums
- 14 Priekšējais rokturis
- 15 Drošības svira
- 16 Trokšņa slāpētājs
- 17 Zāģa ķēde
- 18 Sliedes gala zobrats
- 19 Sliede
- 20 Mizas buferis
- 21 Ķēdes pārtvērējs
- 22 Ķēdes spriegotāja skrūve (435 II, 440 II)
- 23 Sajūga vāks (435 II, 440 II)
- 24 Labās rokas aizsargs
- 25 Droseļvārsta regulators
- 26 Droseles blokators
- 27 Sajūga vāks (435e II, 440e II)
- 28 Ķēdes spriegojuma rats
- 29 Uzgrieznis
- 30 Lietošanas pamācība
- 31 Kombinētā atslēga
- 32 Sliedes aizsargs

VISPĀRĒJAS DROŠĪBAS INSTRUKCIJAS

Pasākumi pirms jaunā motorzāģa lietošanas

- Uzmanīgi izlasiet lietošanas pamācību.
- **(1) – (117)** skatīt attēlu lappusē. 2–6.
- Pārbaudīt, vai ir pareizi uzstādīts noregulēts griešanas aprikojums. Skatīt norādījumus zem rubrikas Montāža.
- Uzpildiet un iedarbiniet motorzāģi. Skatiet norādījumus zem rubrikas Rikošanās ar degvielu un ledarbināšana un apstādīnāšana.
- Nelietot motorzāģi kamēr uz ķēdes nav pietiekoši daudz eļļas. Skatīt norādījumus zem rubrikas Griešanas aprikojums.
- Ilgstoša uzturēšanās troksnī var radīt nopietnas dzirdes traumas. Tāpēc vienmēr lietojiet dzirdes aizsargaustīnas.



BRĪDINĀJUMS! Nekādos apstākļos nedrīkst bez ražotāja atļaujas izmainīt šīs mašīnas sākuma konstrukciju. Lietojiet oriģinālās rezerves daļas. Neatļautas izmaiņas un/vai neatļauti piederumi var novest pie traumām vai beigties ar tehnikas izmantotāja un citu personu nāvi.



BRĪDINĀJUMS! Motorzāģis ir bīstams darba rīks, ja to lieto neuzmanīgi vai nepareizi, kas var radīt nopietnus, pat dzīvību apdraudošus ievainojumus. Tāpēc ļoti svarīgi ir izlasīt un saprast šo lietošanas pamācību.



BRĪDINĀJUMS! Trokšņu slāpētājs satur kancerogēnas vielas. Ja trokšņu slāpētājs ir bojāts, izvairieties no tieša kontakta ar šīm vielām.



BRĪDINĀJUMS! Ilgstoša motora izplūdes gāzu, ķēdes eļļas garaiņu un zāģa skaidu putekļu ieelpošana var apdraudēt veselību.



BRĪDINĀJUMS! Šīs aparāts darbības laikā rada elektromagnētisko lauku. Pie nosacītiem apstākļiem šis lauks var traucēt aktīvā vai pasīvā medicīniskā implanta darbību. Lai mazinātu risku gūt nopietnus vai dzīvībai bīstamus ievainojumus, personām ar medicīnisko implantu iesakām pirms aparāta ekspluatācijas konsultēties ar savu ārstu un medicīniskā implanta ražotāju.



BRĪDINĀJUMS! Nekad neļaujiet bērniem lietot mašīnu vai būt tās tuvumā. Sakarā ar to, ka mašīna ir aprīkota ar atsperotu stop kontaktu, kas atrodas uz iedarbināšanas roktura un to var iedarbināt ar mazu ātrumu un mazu spēku, arī mazi bērni noteiktos apstākļos var panākt spēku, lai iedarbinātu mašīnu. Tas var izsaukt nopietnu miesas bojājumu risku. Tāpēc gadījumos, kad mašīna netiek pieskatīta, noņemiet aizdedzes sveces uzgali.

Svarīgi

SVARĪGI!

Šīs ķēdes zāģis ir paredzēts meža darbiem, piemēram, koku gāšanai, atzarošanai un zāģēšanai.

Valsts tiesību akti var ierobežot šīs mašīnas lietošanu.

Jūs drīkstat lietot vienīgi tādas sliedes/ķēdes kombinācijas, kas norādītas rubrikā Tehniskie dati.

Nekad neizmantojiet mašīnu, ja esat noguris, ja esat lietojis alkoholu vai noteiktus medicīnas preparātus, kas var ietekmēt redzi, novērtēšanas spēju un koordināciju.

Lietojiet individuālo drošības aprikojumu. Skatīt norādījumus zem rubrikas Individuālais drošības aprikojums.

Nekad nepārveidojiet šo mašīnu, ka tā vairs neatbilst oriģinālam un nelietojiet to, ja to ir pārveidojuši citi.

Nekad nelietojiet bojātu mašīnu. Ievērojiet šajā rokasgrāmatā aprakstītās drošības pārbaudes, tehniskās apkopes un remonta instrukcijas. Dažus apkopes un remonta darbus drīkst veikt tikai apmācīti un kvalificēti speciālisti. Skatiet instrukcijas nodalījā Apkope.

Nekad nelietojiet citus, kā tikai šajā pamācībā norādītus piederumus. Skatīt norādījumus zem rubrikas Griešanas aprikojums un Tehniskie dati.

UZMANĪBU! Vienmēr lietojiet aizsargbrilles vai sejas vizieri, lai samazinātu traumatismu no lidojošiem priekšmetiem.

Motorzāģis ir spējīgs ar lielu spēku izmest tādus priekšmetus kā zāģus skaidas, mazus koka gabaliņus utt. Tas var izraisīt nopietnas traumas, sevišķi acīm.



BRĪDINĀJUMS! Motora darbināšana slēgtā vai slikti vēdināmā telpā var izraisīt nāves gadījumus, nosmokot vai saindējoties ar tvana gāzi.



BRĪDINĀJUMS! Atsietna risku vairo nepareizs griešanas aprikojums vai nepareiza sliedes/ķēdes kombinācija! Lietojiet vienīgi mūsu ieteiktās sliedes/ķēdes kombinācijas un ievērojiet asināšanas instrukcijas. Lasiet norādījumus zem rubrikas Tehniskie dati.

VISPĀRĒJAS DROŠĪBAS INSTRUKCIJAS

Rīkojieties saprātīgi (2)

Nav iespējams paredzēt visas iespējamās situācijas, kas var rasties, strādājot ar motorzāģi. Vienmēr esiet piesardzīgs un strādājiet ar veselodu saprātu. Izvairieties no situācijām, kurās jūs nejutāties isti droši. Ja jūs pēc šo instrukciju izlasīšanas joprojām jūtaties nedrošs, pirms turpināt darbu, pakonsultējaties ar kādu ekspertu. Nešaubieties sazināties ar dīleri vai mums, ja jums rodas ar motorzāģa darbību saistīti jautājumi. Mēs labprāt sniegsim jums padomus, kā vislabāk un drošāk izmantot jūsu motorzāģi. Iesakām arī apmeklēt motorzāģu lietošanas kursus. Jūsu dīleris, mežkopju skola vai tuvākā bibliotēka var sniegt ziņas par pieejamajiem izglītības materiāliem un kursiem. Dizaina un tehnisko uzlabojumu darbs pastāvīgi turpinās un tas palielina jūsu darba drošību un efektivitāti. Regulāri apmeklējiet dīleri, lai uzzinātu, kādu labumu jūs varat gūt no jaunievedumiem.

Individuālais drošības aprīkojums



BRĪDINĀJUMS! Lielākā nelaiemes gadījumu daļa ar motorzāģi notiek, kad zāģa ķēde trāpa lietotājam. Jebkuros mašīnas lietošanas gadījumos ir jālieto valsts iestāžu atzīts individuālais aizsargaprīkojums. Individuālais aizsargaprīkojums nesamazina traumu risku, bet tikai samazina ievainojuma bīstamības pakāpi nelaiemes gadījumā. Lūdziet pārdevēja palīdzību, izvēloties nepieciešamo aprīkojumu.

- Atzītu aizsargķiveri
- Aizsargaustiņas
- Aizsargbrilles vai vizieri
- Cimdi ar drošības aizsargu
- Bikses no īpaša auduma
- Zābaki ar drošības aizsargkārtu stulmeņos, tērauda purngaliem un neslidošām pazolēm
- Pirmās medicīniskās palīdzības aptieciņai ir vienmēr jābūt pa rokai.
- Ugunsdzēsmais aparāts un lāpsta

Iesakām piegulošu apģērbu, kas neierobežo kustību brīvību.

SVARĪGI! Dzirkestelju avots var būt trokšņu slāpētājs, sliede, ķēde vai kas cits. Uguns dzēšanas rīkiem nepieciešamības gadījumā ir jābūt viegli pieejamiem. Tādā veidā jūs palīdzēsiet izvairīties no meža ugunsgrēkiem.

Mašīnas drošības aprīkojums

Šajā rubrikā tiek paskaidrotas mašīnas drošības detaļas un to funkcijas. Par kontroli un apkopi lasiet rubrikā "Motorzāģa drošības aprīkojuma pārbaudes, apkope un serviss". Lai atrastu, kurā vietā jūsu atrodas šīs detaļas jūsu mašīnai, lasiet norādījumus rubrikā "Kas ir kas"?

Mašīnas mūža garums var saīsināties un var pieaugt nelaiemes gadījumu risks, ja pareizi netiek veikta mašīnas apkope un, ja servisu un/vai remontu neveic profesionāļi. Ja jums ir nepieciešama papildu informācija, sazinieties ar tuvāko servisa darbnīcu.



BRĪDINĀJUMS! Nekad nelietojiet mašīnu ar bojātu drošības aprīkojumu. Drošības aprīkojums ir jāpārbauda un jāuztur kārtībā. Vairāk lasiet rubrikā "Motorzāģa drošības aprīkojuma pārbaudes, apkope un serviss". Ja jūsu mašīna neatbilst drošības prasībām, griezieties servisa darbnīcā, lai novērstu bojājumus.

Ķēdes bremze ar aizsargu pret rāvieniem

Jūsu motorzāģis ir aprīkots ar ķēdes bremzi, kas ir domāta tam, lai atstietna gadījumā apstādinātu ķēdi. Ķēdes bremze samazina nelaiemes gadījumu risku, taču tikai jūs kā lietotājs varat novērst tos. (3)

Esiet uzmanīgs darbā un pārliecinaties, ka sliedes rāvienu zona nekad nav kāds priekšmets. (4)

- Ķēdes bremzi (A) aktivizē vai nu ar roku (kreiso) vai ar inerces funkciju. (5)
- Iedarbināšana notiek, nospiežot rāvienu ierobežojošo sviru (B) uz priekšu. (5)
- Šī kustība iedarbina mehānismu ar atsperi, kas savēl bremžu stīpu (C) ap motora ķēdes mehānisma sistēmu (D) (sajūga cilindrs). (6)
- Rāvienu drošības sviras funkcija nav tikai ieslēgt ķēdes bremzi. Otrs svarīgs drošības aspekts ir, ka tā pasargā jūsu roku no pieskaršanās ķēdei gadījumā, ja jums no rokas izslīd priekšējais rokturis.
- Kad motorzāģis tiek iedarbināts, ķēdes bremzei ir jābūt ieslēgtai, lai novērstu ķēdes rotešanu. (55)
- Iedarbināšanas brīdī kā arī isākos pārtraukumos ķēdes bremzi izmantojiet kā "stāvbremzi" – tas novērsīs nelaiemes gadījumus, kad lietotājs vai apkārtējie var pieskarties kustīgai ķēdei. Neatstājiet motorzāģi ar rotējošu ķēdi ieslēgtu uz ilgu laiku. Motorzāģis var ievērojami uzkarst.
- Ķēdes bremzi atbrīvo, kad priekšējo roku aizsargu, uz kura rakstīts "PAVELCIET ATPAKAĻ, MIERA STĀVOKLĪ", pavēl atpakaļ, virzienā uz priekšējo rokturi.
- Rāvienu var būt pēkšņi un ļoti spēcīgi. Vairums rāvienu ir sīki un ne vienmēr iedarbina ķēdes bremzi. Ja tie gadās, turiet zāģi stingri un nelaidiet vaļā.
- Veids, kā ķēdes bremze iedarbinās – ar roku vai ar inerces funkciju, ir atkarīgs no rāvienu spēka un motorzāģa pozīcijas attiecībā pret priekšmetu, kas nonāk kontaktā ar sliedi rāvienu zonā.

Smagākos atsitiena gadījumos un, kad sliedes atsitiena riska sektors ir maksimāli tālu no lietotāja, ķēdes bremze ir veidota tā, lai aktivizētos ar ķēdes bremzes pretsvaru (inerci) atsitiena virzienā. (7)

Ja rāvienu ir mazāk spēcīgi vai, ja sliedes rāvienu zona ir lietotājam tuvāk, ķēdes bremze iedarbina manuāli – ar kreisās rokas palīdzību.

- Gāzoties kreisā roka atrodas tādā stāvoklī, kas nedod iespēju aktivizēt ķēdes bremzinokas režīmā. Šā veida satvēriena gadījumos, kad kreisā roka ir novietota tā, ka tā nevar ietekmēt atsitiena aizsarga kustību, ķēdes bremzi var aktivizēt vienīgi ar inerces funkcijas palīdzību. (8)

VISPĀRĒJAS DROŠĪBAS INSTRUKCIJAS

Vai es vienmēr ar roku aktivizēšu ķēdes bremzi atsietiena gadījumos?

Nē. Lai pavirzītu atsietiena aizsargu uz priekšu, ir jāpieliek zināms spēks. Ja jūsu roka tikai aizķer un pieskaras atsietiena aizsargam, tas var būt nepietiekami, lai iedarbinātu ķēdes bremzi. Strādājot ir stingri jāsatver motorzāģa rokturi. Ja jūs tā darāt un notiek atsietiens, jūs droši vien nekad nepalaidīsiet vajā roku no priekšējā roktura un neaktivizēsiet ķēdes bremzi vai arī tā aktivizēsies, kad zāģis jau būs paspējis kādu gabalu novirzīties. Tādā situācijā var notikt tā, ka ķēdes bremze nepaspēj apstādināt ķēdi pirms tā trāpa jums.

Reizēm arī dažās darba pozās jūsu roka nevar sasniegt atsietiena aizsargu, lai aktivizētu ķēdes bremzi, piemēram, kad zāģis ir koku gāšanas stāvoklī.

Vai jebkurā atsietiena gadījumā iedarbosies ķēdes bremze?

Nē. Vispirms bremzei ir jānostrādā. Bremzi var viegli pārbaudīt; sikāk par to lasiet rubrikā "Motorzāģa drošības aprīkojuma pārbaude, apkope un serviss". Mēs iesakām to darīt pirms katras darba reizes. Otrkārt, atsietienam jābūt pietiekoši spēcīgam, lai tas aktivizētu ķēdes bremzi. Ja ķēdes bremze būtu pārāk jutīga, tad tā aktivizētos pastāvīgi, kas traucētu strādāt.

Vai ķēdes bremze mani vienmēr pasargās no traumām atsietiena gadījumos?

Nē. Vispirms jūsu bremzei ir jādarbojas, lai tā sniegtu paredzēto aizsardzību. Otrkārt, lai ķēdi apstādinātu atsietiena gadījumos, tā ir jāaktivizē tā, kā tas aprakstīts augstāk. Treškārt, ķēdes bremzi var aktivizēt, bet ja sliede ir jums pārāk tuvu, var notikt tā, ka bremze nepaspēj iedarboties un apstādināt ķēdi pirms tā trāpa jums.

Vienīgi jūs pats un pareiza darba tehnika var novērst atsietienus un to riskus.

Drošes blokators

Akseleratora regulatora drošinātājs ir konstruēts, lai novērstu nejausu akseleratora aktivizēšanu. Kad drošinātājs (A) tiek iespiests rokturī (= satverot rokturi) ieslēdzas akselerators (B). Kad satvēriens tiek atlaists, gan akselerators, gan akseleratora drošinātājs nostājas savos sākuma stāvokļos. Šis stāvoklis nozīmē, ka akselerators brīvā gaitā automātiski nobloķējas. (9)

Ķēdes pārtvērējs

Ķēdes pārtvērējs ir konstruēts, lai pārtvertu ķēdi gadījumā, ja tā pārtrūkst vai nolēc no sliedes. Tam nevajadzētu notikt, ja ķēde ir pareizi nostiepta (skatīt norādījumus zem rubrikas Montāža) un, ja sliede un ķēde tiek pareizi aprūpēta (skatīt norādījumus zem rubrikas Vispārējās darba instrukcijas). (10)

Labās rokas aizsargs

Labās rokas aizsargs ne tikai sargā jūsu roku, ja ķēde noliec vai notrūkst, bet arī kalpo, lai koku zari netraucētu aptvert aizmugures rokturi. (11)

Vibrāciju samazināšanas sistēma

Jūsu mašina ir aprīkota ar vibrāciju slāpēšanas sistēmu, kas ir konstruēta, lai mazinātu vibrācijas un padarītu darbu maksimāli vieglāku.

Vibrāciju slāpēšanas sistēma samazina vibrāciju pārvadīšanu starp motora bloku/ griešanas aprīkojumu un mašīnas rokturiem. Motorzāģa korpusu, ieskaitot griešanas aprīkojumu, ir iekārtas rokturu blokā ar tā saucamo vibrāciju reducēšanas elementa palīdzību.

Cietkoku (galvenokārt lapu koku) zāģēšana rada vairāk vibrāciju nekā mīkstkoku (galvenokārt skuju koku) zāģēšana. Zāģēšana ar neasu vai nepiemērotu ķēdi (nepareizā tipa vai nepareizi asinātu) vibrāšanu palielinās.



BRĪDINĀJUMS! Pārāk ilga vibrācijas iedarbība personām ar asinsrites traucējumiem var izraisīt asinsvadu vai nervu slimības. Ja jūs manāt simptomus, kas būtu radušies no vibrācijas ietekmes, griezties pie ārsta. Šādu simptomu piemēri ir tirpšana, nejutīgums, kutēšana, dūrieni, sāpes, nespēks, ādas krāsas un virsmas maiņa. Šie simptomi parasti parādās pirkstos, rokās vai locītavās. Aukstos laikā apstākļos šie simptomi var progresēt.

Stop slēdzis

Lietojiet stop slēdzi, lai izslēgtu motoru. (12)

Trokšņa slāpētājs

Trokšņu slāpētājs ir konstruēts, lai iespējami maksimāli mazinātu troksni un, lai novirzītu motora izplūdes gāzes prom no lietotāja.



BRĪDINĀJUMS! Motora izplūdes gāzes ir karstas un var saturēt dzirksteles, kas var izraisīt ugunsgrēku. Nekad nedarbiniet mašīnu telpās vai viegli uzliesmojošu materiālu tuvumā.

Siltā un sausā klimatā palielinās ugunsgrēka risks. Parasti šādos reģionos likums nosaka, ka trokšņu slāpētāji ir jāaprīko ar apstiprinātu dzirksteļu uztveršanas sietu. (13)

Uzstādot sazobi, pārliecinieties, vai sazobe ir ievietota pareizajā pozīcijā. Ja nepieciešams, sazobes ievietošanai vai izņemšanai izmantojiet kombinēto uzgriežņu atslēgu.



UZMANĪBU! Trokšņu slāpētājs ir karsts gan darba laikā gan pēc motora izslēgšanas. Tas attiecas arī uz darbību brīvā gaitā. Uzmanieties no aizdegšanās briesmām, sevišķi strādājot tuvu ugunsdrošām vielām un/vai gāzēm.



BRĪDINĀJUMS! Nekad neizmantojiet motorzāģi bez trokšņu slāpētāja vai, ja tas ir bojāts. Bojāts trokšņu slāpētājs būtiski palielina trokšņu līmeni un ugunsgrēka risku. Rūpējieties, lai būtu pieejami ugunsdzēsšanas līdzekļi. Nekad nelietojiet motorzāģi bez vai ar bojātu dzirksteļu uztvērēju, ja tas ir obligāts jūsu darba teritorijā.

VISPĀRĒJAS DROŠĪBAS INSTRUKCIJAS

Griezējzobu asināšana



Lai asinātu zāga zobus nepieciešama apajā vīle un šablons. Lai pārļiecinātos kāds vīles diametrs un šablons ir ieteicami jūsu motorzāģim, apskatieties zem rubrikas Tehniskie dati.

- Pārbaudiet, vai ķēde ir pareizi nostiepta. Ir grūti pareizi noasināt vaļīgu ķēdi.
- Vienmēr vilējiet griezējzobus no to iekšpusēs uz ārpusi, maziniet spiedienu, kad velkat vīli atpakaļ. Vispirms novilējiet visus zobus vienā pusē, tad apgrieziet motorzāģi otrādi, un vilējiet zobu otro pusi.
- Novilējiet visus zobus vienādā garumā. Kad griezējzobi ir vairs tikai 4 mm (5/32") gari, ķēde uzskatāma par nodilušu un ir jānomaina. **(23)**

Vispārēja informācija par griešanas dziļumu

- Asinot zāga zobu, samazinās ierobežotājzīcīnīs (=griešanas dziļums). Lai saglabātu maksimālu asumu, ierobežotājzīcīnīs ir jāsamazina līdz ieteicamam līmenim. Lai pārļiecinātos kāds griešanas dziļums ir nepieciešams jūsu motorzāģim, skatiet informāciju rubrikā "Tehniskie dati". **(24)**



BRĪDINĀJUMS! Pārāk liels griešanas dziļums palielina ķēdes atsietna iespēju!

Griešanas dziļuma regulēšana



- Veicot griešanas dziļuma regulēšanu, zāga zobiem ir jābūt tikko uzasinātiem. Mēs iesakām regulēt griešanas dziļumu pēc katras trešās ķēdes asināšanas reizes. IEVĒROJIET! Šī rekomendācija paredz, ka zāga zobi nenormāli novilēti.
- Griešanas dziļuma ierobežotāja regulēšanai nepieciešama plakanvīle un ierobežotāja šablons. Mēs iesakām lietot mūsu šablonu, lai jūs iegūtu pareizu griešanas dziļuma ierobežotāja izmēru un tā pareizu leņķi.
- Uzlieciet asināšanas šablonu uz ķēdes. Informācija par asināšanas šablona lietošanu ir atrodamā uz iepakojuma. Lai novilētu ierobežotājzīcīnļa lieko daļu, izmantojiet plakanvīli. Ierobežotājzīcīnīs ir pareizi novilēts, kad, velkot vīli pār šablonu, nejūt nekādu pretestību. **(25)**

Ķēdes nostiepšana



BRĪDINĀJUMS! Vaļīga ķēde var nolekt no sliedes, izraisot nopietnus, pat dzīvībai bīstamus ievainojumus.

Jo ilgāk lietojat ķēdi, jo vairāk tā izstiepijas. Tādēļ ir svarīgi regulāri noregulēt ķēdi, lai novērstu vaļīgumu.

Pārbaudiet ķēdes spriedzi katru reizi, kad tiek uzpildīta degviela. **UZMANĪBU!** Jaunam ķēdes zāģim ir iestrādes laiks, kad ķēdes spriedze jāpārbauda biežāk.

Nostiepiet ķēdi cik stingri vien iespējams, bet ne tā, ka to nevar brīvi kustināt ar roku. **(26)**

435 II, 440 II



- Atbrīvojiet sliedes uzgriezni, kas savieno savienojuma vāku/ ķēdes bremzi. Izņemot kombinēto atslēgu. Pēc tam piegrieziet sliedes uzgriezni cik vien stipri iespējams. **(27)**
- Paceliet sliedes galu un nostiepiet ķēdi, griežot ķēdes nostiepšanas skrūvi ar kombinēto atslēgu. Nostiepiet ķēdi, kamēr tā karājas vaļīgi sliedes apakšpusē. **(28)**
- Turot sliedes galu uz augšu, ar uzgriežatslēgu pievelciet sliedes uzgriezni. Pārbaudiet, vai zāga ķēde zem sliedes nav vaļīga un vai to joprojām var brīvi pavilkt ar rokām. **(29)**

Ķēdes spriegošanas skrūve dažādiem mūsu motorzāģu modeļiem atrodas dažādās vietās. Kur tā atrodas jūsu modelim, skatiet norādījumus rubrikā "Kas ir kas?".

435e II, 440e II



- Atbrīvojiet uzgriezni to atlocot. **(30)**
- Lai atslābinātu sliedes vāku, pagrieziet uzgriezni pretēji pulksteņrādītāja virzienam. **(31)**
- Korīžējiet ķēdes nospriegumumu pagriežot riteni uz leju (+) stingrākam nospriegumam un uz augšu (-), lai atslābinātu spriegumu. **(32)**
- Savelciet sliedes uznavu pagriežot uzgriezni pulksteņrādītāja virzienā. **(33)**
- Ielociet uzgriezni atpakaļ, lai noslēgtu spriegošanu. **(34)**

Griešanas aprikojuma eļļošana



BRĪDINĀJUMS! Nepareizi eļļota ķēde var pārtrūkt, izraisot nopietnus, pat dzīvībai bīstamus ievainojumus.

Ķēdes eļļa

Ķēdes eļļai ir jāpiesaistās pie ķēdes un jāsauglabā viskozitāte, neskatoties uz to, vai ir karsta vasara vai auksta ziema.

Kā motorzāģu ražotāji, esam izstrādājuši ķēdes eļļu ar optimālām īpašībām, kas, pateicoties tam, ka tā ražota no augu eļļas, bioloģiski sadalās. Lai pagarinātu ķēdes darba mūžu un saudzētu apkārtējo vidi, mēs ieteicam lietot mūsu eļļu. Ja mūsu eļļa nav pieejama, iesakām lietot parastu ķēdes eļļu.

VISPĀRĒJAS DROŠĪBAS INSTRUKCIJAS

Nekad nelietojiet vecu eļļu! Tas ir kaitīgi gan jums, gan mašīnai, gan videi.

SVARĪGI! Pirms ilgtermiņa uzglabāšanas neņemiet un notīriet sliedi un ķēdi, ja eļļošana tiek izmantota augu eļļa. Citādi pastāv risks, ka ķēdes eļļa oksidējas, bet tas veicina ķēdes stīvumu un sliedes gala nestabilitāti.

Ķēdes eļļas iepildīšana

- Visiem mūsu motorzāģiem ir automātiskas ķēdes eļļošanas sistēmas. Dažiem modeļiem eļļas padevi ir iespējams regulēt.
- Ķēdes eļļas tvertne un degvielas tvertne ir izveidotas tā, lai degviela beigtos pirms beidzas ķēdes eļļa. Taču šī drošības funkcija paredz, ka ir jāizmanto pareiza ķēdes eļļa (pārāk liesa un šķīdā eļļa beidzas ātrāk nekā degviela), ka jāseko norādījumiem par karburatora regulēšanu (pārāk liess degmaisījums izraisīs to, degviela pietiks ilgāk nekā ķēdes eļļa), kā arī jāseko mūsu rekomendācijām par griešanas aprikojumu (pārāk gara sliede patērē vairāk eļļas).

Ķēdes eļļošanas kontrole

- Pārbaudiet ķēdes eļļošanu katru reizi, kad uzpildat degvielu.
- Vērsiet sliedes priekšgalu pret kādu gaišu priekšmetu apmēram 20 cm (8 collu) attālumā. Darbinot vienu minūti ar 3/4 akcelerāciju, jums vajadzētu pamanīt eļļas svītru uz gaišās virsmas.
- Ja ķēdes eļļošana nedarbojas:
- Pārbaudiet, vai sliedes eļļas rievā nav aizsprostota. Ja nepieciešams, iztīriet. **(35)**
 - Pārbaudiet, vai rievā sliedes malā ir tīra. Ja nepieciešams, iztīriet. **(36)**
 - Pārbaudiet, vai sliedes gala zobrats brīvi griežas un, ka eļļošanas caurums nav aizsērējis. Ja nepieciešams, iztīriet un ieeļļojiet. **(37)**
- Ja, veicot šos pasākumus, ķēdes eļļošana joprojām nedarbojas, sazinieties ar servisa darbnīcu.

Ķēdes dzinēja zobrats



Uz sajūga cilindrs ir aprīkots ar sekojošiem dzinējzobratiem:

A Spur zobrats (ar cilindram pielodētu dzinējzobratu)

B Rim zobrats (normaināms) **(38)**

Regulāri pārbaudiet dzinējzobrata nodilšanas pakāpi. Nomainiet zobratu, ja tas ir pārmērīgi nodilis. Dzinējzobratu jānomaina katru reizi, mainot ķēdi.

Adatgultņa ieeļļošana



Abi ķēdes dzenošie skrīmeļi ir aprīkoti ar lodīšu gultņiem, kas ir regulāri jāeļļo (reizi nedēļā). UZMANĪBU! Izmantojiet labas kvalitātes gultņu ziedi vai motoreļļu.

Skatīties norādījumus rubrikā „Adatruļļu gultņu ieeļļošana”

Griešanas aprikojuma nodilšanas pārbaude



Apskatiet zāģa ķēdi katru dienu un pārliecinieties:

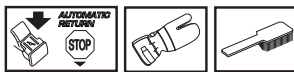
- Vai ķēdes posmos un kniedēs nav redzamas plaisas.
- Vai ķēde nav stīva.
- Vai kniedes un ķēdes posmi nav stipri nodiluši.

Izniciniet ķēdi, ja tā uzrāda kādu no tālāk minētajām pazīmēm.

Mēs iesakām jums salīdzināt pārbaudāmo ķēdi ar jaunu ķēdi, lai pārbaudītu vecās nodiluma pakāpi.

Novilējiet visus zobus vienādā garumā. Kad griezējzobi ir vairs tikai 4 mm (5/32") gari, ķēde uzskatāma par nodilušu un ir jānomaina. **(23)**

Sliede



Regulāri pārbaudiet:

- Vai uz sliedes malas nav radušās metāla skabargas. Ja nepieciešams, novilējiet.
- Vai sliedes rievā nav stipri nodilusi. Ja nepieciešams, nomainiet sliedi.
- Vai sliedes gali nav nevienādi nodiluši vai stipri nodiluši. Ja vienā sliedes gala pusē radies iedobums, to ir radījis darbs ar vaļiņu ķēdi.
- Lai saglabātu maksimāli ilgu tās darba mūžu, sliede jālieto regulāri.



BRĪDINĀJUMS! Lielākā nelaimes gadījumu daļa ar motorzāģi notiek, kad zāģa ķēde trāpa lietotājam.

Lietojiet individuālo drošības aprikojumu. Skatīt norādījumus zem rubrikas Individuālais drošības aprikojums.

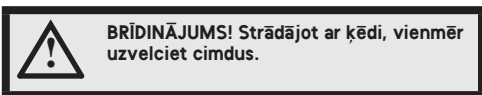
Izvairieties darīt darbus, kurus veikšanai sevi neuzskatiet par kvalificētu. Skatīt norādījumus zem rubrikām Individuālais drošības aprikojums, Pasākumi rāvienu novēršanai, Griešanas aprikojums un Vispārējās darba instrukcijas.

Izvairieties no situācijām, kad var rasties rāvienu risks. Skatīt norādījumus zem rubrikas Mašīnas drošības aprikojums.

Izmantojiet tikai ieteikto griešanas aprikojumu, to pārbaudot. Skatīt norādījumus zem rubrikas Vispārējās darba instrukcijas.

Pārbaudiet motorzāģa drošības aprikojuma darbību. Skatīt norādījumus zem rubrikām Vispārējās darba instrukcijas un Vispārējās drošības instrukcijas.

Sliedes un ķēdes montāža



435 II, 440 II

- **Pārvietojot ķēdes bremzes rāvienu aizsargu priekšējā roktura virzienā, pārbaudiet vai ķēdes bremzes ir atlaistas. (39)**
- Atskrūvējiet sliedes uzgriezni un noņemiet sajūga vāku (ķēdes bremzi). Noņemiet transportēšanas gredzenu (A). **(40)**
- Piestipriniet sliedi uz sliedes tapas. Novietojiet sliedi tās aizmugures stāvoklī. Novietojiet ķēdi uz ķēdes skriemeļa un sliedes pēdās. Sāciet no sliedes virspuses. **(41)**
- Pārļiecinieties, vai ķēdes griezējzobi sliedes augšmalā ir vērsti uz priekšu.
- Uzstādiet sajūga vāku un neaizmirstiet sliedes atverē ievietot ķēdes ieregulēšanas tapu. Pārbaudiet, vai ķēdes piedziņas posmi ir pareizi uzstādīti uz piedziņas ķēdesrata un ķēde ir pareizi ievietota sliedes kanālā. Pievelciet sliedes uzgriezni ar rokām.
- Ar kombinētās atslēgas palīdzību nosprīgojiet ķēdi un grieziet ķēdes sprīgotāja uzgriezni pulkstenrādītāja kustības virzienā. Ķēde jānosprīgo tā, lai tā cieši piekļaujas sliedes apakšmalai. **(42)**
- Ķēde ir pareizi nosprīgota tad, kad tā nenokarājas vaļīgi no sliedes apakšas, bet joprojām ir viegli pagriežama ar roku. Turiet sliedes galu uz augšu un, izmantojot uzgriežnatslēgu, pievelciet sliedes uzgriezni. **(43)**
- Uzliekot jaunu ķēdi, līdz tās piestrādei, regulāri jāpārbauda ķēdes nosprīgojums. Ķēdes nosprīgojumu pārbaudiet regulāri. Pareizi nosprīgota ķēde labi zāgē un tai ir garš darba mūžs. **(44)**

435e II, 440e II

- **Pārvietojot ķēdes bremzes rāvienu aizsargu priekšējā roktura virzienā, pārbaudiet vai ķēdes bremzes ir atlaistas. (45)**
- Atbrīvojiet ķēdes sprīgotājspoli un noņemiet savienojuma vāku (ķēdes bremzi). Noņemiet transportēšanas aizsargu. (A) **(46)**
- Uzlieciet sliedi uz piestiprinājuma skrūvēm. Līdz galam atvirziet sliedi uz aizmuguri. Uzlieciet ķēdi uz dzenošā zobrata un ievietojiet sliedes rievā. Sāciet ar sliedes augšpusi. **(41)**
- Pārļiecinieties, vai ķēdes griezējzobi sliedes augšmalā ir vērsti uz priekšu.
- Uzstādiet sajūga vāku un neaizmirstiet sliedes atverē ievietot ķēdes ieregulēšanas tapu. Pārbaudiet, vai ķēdes

piedziņas posmi ir pareizi uzstādīti uz piedziņas ķēdesrata un ķēde ir pareizi ievietota sliedes kanālā.

- Nosprīgojiet ķēdi pagriežot ratu uz leju (+). Ķēde jāsprīgo līdz tā vairs nenokarājas no sliedes apakšmalas. **(32)**
- Ķēde ir pareizi nosprīgota, kad tā vairs nenokarājas no sliedes apakšmalas, bet joprojām ir viegli pagriežama ar roku. Turiet sliedes galu uz augšu un pievelciet sliedes uzmvau, pagriežot uzgriezni pulkstenrādītāja virzienā. **(33)**
- Uzliekot jaunu ķēdi, līdz tās piestrādei, regulāri jāpārbauda ķēdes nosprīgojums. Ķēdes nosprīgojumu pārbaudiet regulāri. Pareizi nosprīgota ķēde labi zāgē un tai ir garš darba mūžs. **(44)**

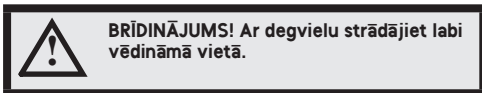
Mizas bufera montāža

Lai piemontētu mizas buferi, griezieties servisa darbnīcā. **(47)**

DEGVIELAS LIETOŠANA

Degviela

Ievērojiet! Mašīna ir aprīkota ar divtaktu motoru un tā darbināšanai vienmēr ir jāizmanto benzīna un divtaktu motora eļļas maisījums. Lai nodrošinātu pareizu maisījumu, ļoti svarīgi ir izmērīt izmantojamās eļļas daudzumu. Izgatavojot nelielus degvielas daudzumu maisījuma daudzumus, svarīgi atcerēties, ka pat mazas eļļas daudzuma kļūmes, var būtiski ietekmēt maisījumu.



Benzīns



- Lietojiet labas kvalitātes benzīnu ar vai bez svina piemaisījumiem.
- Ieteicamais zemākais oktāna skaitlis ir 90 (RON). Ja tiek izmantots benzīns ar zemāku oktāna skaitli nekā 90, var sabojāties motors. Palielinās motora temperatūra un pieaug gultņu slodze, kas izraisa smagu motora sabojāšanos.
- Ja jūs ilgstoši strādājat ar augstiem apgriezieniem (piem. atzarojot), ir ieteicams lietot degvielu ar augstāku oktānskaitli.

Vides degviela

HUSQVARNA iesaka lietot videi draudzīgu degvielu (tā saucamo alkilāta degvielu), vai nu Aspen, kas ir jau sajaukts ar divtaktu benzīnu, vai vides benzīnu četraktu motoriem ar divtaktu motoreļļu atbilstoši tālāk aprakstītajam. Nemiet vērā, mainot degvielas tipu, ir jāregulē karburators (skatīt norādījumus rubrikā "Karburators").

Degviela ar etanola saturu

"HUSQVARNA" iesaka izmantot tirdzniecībā pieejamu degvielu ar maksimālo 10% etanola saturu.

Darbināšana sākumā

Pirmās desmit stundas ir jāizvairās strādāt ar pārāk lielu apgriezumu skaitu.

Divtaktu eļļa

- Lai iegūtu vislabāko rezultātu un spējas, izmantojiet HUSQVARNA divtaktu motoreļļu, kas ir speciāli radīta mūsu divtaktu motoriem ar gaisa dzesēšanas sistēmas.
- Nekad neizmantojiet divtaktu eļļu, kas paredzēta ūdens dzesēšanas sistēmas motoriem, tā saucamo outboardoil (sauc par TCW).
- Nelietojiet eļļu, kas paredzēta četraktu motoriem.
- Zema eļļas kvalitāte vai pārāk treknas eļļas/degvielas maisījums vai sabojāt katalizatoru un samazināt tā darba mūžu.

Maisījuma proporcijas

1:50 (2%) ar HUSQVARNA divtaktu eļļu.

1:33 (3%) ar citām eļļām, kas izstrādātas ar gaisu dzesējamiem divtaktu motoriem, klasificētiem priekš JASO FB/ISO EGB.

Benzīns, litros	Divtaktu eļļa, litros	
	2% (1:50)	3% (1:33)
5	0,10	0,15
10	0,20	0,30
15	0,30	0,45
20	0,40	0,60

Degvielas sajaukšana

- Maisiet benzīnu un eļļu tirā traukā, kas ir paredzēts degvielām.
- Ielejiet pusi vajadzīgā benzīna daudzuma. Tad pielejiet visu daudzumu eļļas. Samaisiet (sakratiet) degvielas maisījumu. Tad pielejiet atlikušo benzīnu.
- Pirms iepildīšanas mašīnas tvertnē pamatīgi samaisiet (sakratiet) degvielas maisījumu.
- Degvielas daudzumu sagatavojiet ne vairāk kā viena mēneša lietošanai.
- Ja mašīna netiek lietota ilgāku laiku, iztukšojiet un iztīriet degvielas tvertni.

Kēdes eļļa

- Eļļošanai jāizmanto speciāla eļļa (kēdes eļļa) ar labu piesaistes spēju. **(4B)**
- Nekad nelietojiet lietotu eļļu. Tā sabojās eļļas sūkni, sliedi un ķēdi.
- Ir ļoti svarīgi lietot pareizās vizkozitātes eļļu, saskaņā ar gaisa temperatūru.
- Kad temperatūra nokrītas zem 0°C, dažām eļļām mazinās vizkozitāte. Tas var pārslodēt eļļas sūkni un sabojāt tā sastāvdaļas.
- Izvēloties ķēdes eļļu, konsultējieties ar servisa darbinīcu.

Degvielas uzpildīšana



BRĪDINĀJUMS! Sekojošie uzmanības pasākumi mazinās aizdegšanās risku:

Degvielas tuvumā nesmēķējiet un nenovietojiet nekādus karstu priekšmetus.

Pirms degvielas uzpildīšanas izslēdziet motoru un ļaujiet tam dažas minūtes atdzist.

Atveriet degvielas tvertnes vāku lēnām, lai iespējamais spiediens tiek samazināts lēnām.

Pēc degvielas uzpildīšanas rūpīgi noslēdziet degvielas tvertnes vāku.

Pirms iedarbināšanas vienmēr pārvietojiet mašīnu projām no degvielas uzpildīšanas vietas un avota.

Notīriet ap degvielas tvertnes vāku. Regulāri tīriet degvielas un ķēdes eļļas tvertnes. Degvielas filtrs maināms vismaz vienu reizi gadā. Netīrumu nokļūšana degvielas tvertnē radīs bojājumus. Pārliedzinieties, ka degviela ir labi samaisīta, sakratot degvielas trauku pirms uzpildīšanas. Ķēdes eļļas un degvielas tvertņu tilpumi ir savstarpēji saskaņoti. Tādēļ vienmēr uzpildiet ķēdes eļļu un degvielu vienlaicīgi. **(48)**



BRĪDINĀJUMS! Degviela un degvielas iztvaikojumi ir ļoti ugunsnedroši. Esiet uzmanīgs, rīkojoties ar degvielu un ķēdes eļļu. Paturiet prātā aizdegšanās, eksplozijas un saindēšanās risku.

Degvielas un ķēžu eļļas vāciņa noņemšana

- Nospiediet uz sviras teksturētās daļas un paceliet to virzienā uz augšu. **(49)**
- Atskrūvējiet vāciņu, pagriežot to pretēji pulksteņa rādītāja virzienam. **(50)**
- Noņemiet vāciņu. **(51)**

Degvielas un ķēžu eļļas vāciņa nomaiņšana

- Ievietojiet vāciņu tādā veidā, lai svira atrastos vertikālā stāvoklī. **(52)**
- Rūpīgi pieskrūvējiet vāciņu, pagriežot to pulksteņa rādītāja virzienā. **(53)**
- Nolaidiet sviru uz leju. **(54)**

SVARĪGI! Vienmēr nomainiet vāciņu, ja tas ir bojāts.

Drošība darbā ar egvielu

- Nekad nemēģiniet uzpildīt mašīnu ar degvielu motora darba laikā.
- Ievērojiet labas ventilācijas nosacījumus degvielas un degvielas maisījuma (benzīns un divtaktu eļļa) uzpildīšanas laikā.
- Pirms motora iedarbināšanas pārvietojiet mašīnu vismaz 3 m no degvielas uzpildīšanas vietas.
- Nekad nedarbiniet mašīnu:
 - 1 Ja uz mašīnas korpusa izlijusi degviela vai ķēdes eļļa. Noslauciet visu izlieto un ļaujiet benzīnam izgarot.
 - 2 Ja jūs esat aplējuši sevi vai savas drēbes ar degvielu, pārģērbieties. Nomazgājiet tās ķermeņa daļas, kas bija kontaktā ar degvielu. Izmantojiet ziepes un ūdeni.
 - 3 Ja mašīnai pamanāt degvielas sūci. Regulāri pārbaudiet, vai degvielas tvertnes vāka un degvielas vadus nav sūces.



BRĪDINĀJUMS! Nekad nelietojiet mašīnu ar redzamiem aizdedzes sveces aizsarga un sveces kabeļa bojājumiem. Iespējams dzirksteļu rašanās risks, kas var izraisīt ugunsgrēku.

Transportu un uzglabāšana

- Vienmēr glabājiet motorzāģi un degvielu, lai iespējamās degvielas un eļļas noplūdes nenonāk kontaktā ar liesmām un dzirksteļu avotiem, piemēram elektriskām mašīnām, elektriskiem motoriem, slēdzīem/kontaktiem apkures katliem, krāsnīm, utt.
- Vienmēr glabājiet degvielu šim nolūkam speciāli atzītā un piemērotā tvertnē.
- Motorzāģa ilgstošākas uzglabāšanas vai transporta reizēs iztukšojiet degvielas un ķēdes eļļas tvertnes. Noskaidrojiet, kur ir atļauts izliet nevajadzīgu degvielu un eļļu.
- Mašīnas transportēšanas vai uzglabāšanas laikā vienmēr ir jābūt piestiprinātam griešanas aprīkojuma transportēšanas aizsargam, lai kļūdas pēc nenonāktu kontaktā ar aso ķēdi. Arī nekustīga ķēde var būt par iemeslu nopietnām lietotāja vai citu personu traumām, ja tie nonāk ar to kontaktā.
- No aizdedzes sveces noņemiet aizdedzes sveces uzgali. Aktivizējiet ķēdes bremzi.
- Aparātu var droši pārvadāt transportēšanas laikā.

Izglstoša uzglabāšana.

Labī vēdināmā vietā iztukšojiet degvielas un eļļas tvertnes. Degvielu uzglabājiet apstiprinātās tvertnēs un drošā vietā. Piestipriniet sliedes aizsargu. Notīriet mašīnu. Lasiet norādījumus zem rubrikas Apkopes secība.

Raugiet, lai pirms novietošanas ilgstošā uzglabāšanā mašīna ir labi notīrīta un tai ir veikts pilnīgs serviss.

IEDARBINĀŠANA UN APSTĀDINĀŠANA

Iedarbināšana un apstādināšana



BRĪDINĀJUMS! Pirms iedarbināšanas ievērojiet sekojošo:

Kad motors tiek iedarbināts, ķēdes bremzei ir jābūt ieslēgtai, lai tādā veidā samazinātu risku nonākt kontaktā ar rotējošo ķēdi starta brīdī.

Nedarbiniet motorzāģi, ja nav piemontēta sliede, ķēde un visi vāki. Pretējā gadījumā var nokrist sajūgs un izsaukt miesas bojājumus.

Nolieciet mašīnu uz cieta pamata. Pārliecinieties, ka jūs stāvat stabili un, ka ķēde nevar nekam pieskarties.

Pārliecinieties, ka nepiederošas personas un dzīvnieki neatrodas jūsu darba teritorijā.

Nekad nesatiniet startera auklu ap roku.

Iedarbināšana

Ķēdes bremzei pirms iedarbināšanas ir jābūt ieslēgtai. Bremzi aktivizē, pabīdot atsitienu aizsargu uz priekšu. (55)

Ja motors ir auksts

Starta pozīcija, 1: Novietojiet ieslēgšanas/izslēgšanas slēdzi droses stāvoklī, pavelkot sarkano regulatoru augšup/uz āru. (56)

Degvielas sūknis (2): Vairākas reizes nospiediet degvielas sūkņa gumijas burbuli, līdz tas piepildās ar degvielu (vismaz 6 reizes). Burbulis nav jāpiepilda pilnībā. (56)

Satveriet priekšējo rokturi ar kreiso roku. Turiet ķēdes zāģi pie zemes, izliekot labo pēdu caur aizmugurējo rokturi. (57)

Startera roktura vilkšana, 3: velkot startera rokturi ar labo roku, lēnām izvelciet startera auklu, līdz jūtat pretestību (starteris aiztur iedarbināšanu), pēc tam velciet stingri un ātri, līdz dzinējs iedarbojas.

Sarkanās droses vadības nospiešana, 4: līdzko dzinējs ir iedarbojies — dzirdama "elsojoša" skaņa, nospiediet sarkano droses vadību.

Startera roktura vilkšana (5): turpiniet spēcīgi vilkt auklu, līdz dzinējs iedarbojas.

Ja motors ir silts

Starta pozīcija, 1: Pareizo droses/palaišanas iestatījumu siltai palaišanai var iegūt, ja sākotnēji pārvieto droses vadību, velkot sarkano vadību ar augšupvērstu kustību uz āru. (56)

Degvielas sūknis (2): Vairākas reizes nospiediet degvielas sūkņa gumijas burbuli, līdz tas piepildās ar degvielu (vismaz 6 reizes). Burbulis nav jāpiepilda pilnībā. (56)

Sarkanās droses vadības nospiešana, 3: Tādējādi tiek deaktivizēta drosē, kas nav nepieciešama, palaižot siltu

ķēdes zāģi. Tomēr palaišanas/apturēšanas slēdža kustība būs ieslēgusi lielu tukšgaitas gājienu, atvieglojot palaišanu.

Startera roktura vilkšana, 4: Satveriet priekšējo rokturi ar kreiso roku. Turiet ķēdes zāģi pie zemes, izliekot labo pēdu caur aizmugurējo rokturi. (57)

Velkot startera rokturi ar labo roku, lēnām izvelciet startera auklu, līdz jūtat pretestību (starteris aiztur iedarbināšanu), pēc tam velciet stingri un ātri, līdz dzinējs iedarbojas.

Tā kā ķēdes bremze joprojām ir ieslēgta, dzinējs, cik ātri vien iespējams, ir jāieslēdz tukšgaitā, ko panāk, izslēdzot droses aizturi. Izslēgšanu veic, viegli piespiežot droses sprūdu. Tādējādi tiek novērsts nevajadzīgs sajūga, sajūga cilindra un bremzes lentes nodilums. Pirms pilnas akcelerācijas ļaujiet motoram dažas sekundes darboties tukšgaitā.

Zāa aizmugurē (A) atrodas vienkārša instrukcija ar attēliem, kas apraksta attiecīgo soli. (57)

UZMANĪBU! Startera auklu neizvelciet pilnīgi līdz galam un arī nelaidiet to vaļā no pilnīgi izvilktā stāvokļa. Tā var sabojāt mašīnu.

Ievērojiet! Ķēdes bremzi izslēdz, pabīdot atsieni aizsargu pret roktura cilpu. Līdz ar to motorzāģis ir gatavs lietošanai.



BRĪDINĀJUMS! Ilgstoša motora izplūdes gāzu, ķēdes eļļas garaiņu un zāģa skaidu putekļu ieelpošana var apdraudēt veselību.

- Nekad nedarbiniet motorzāģi, ja nav pareizi piestiprināta sliede, zāģa ķēde un visi vāki. Skatīt norādījumus zem rubrikas Montāža. Ja pie motorzāģa nav piestiprināta sliede un ķēde, var nokrist sajūgs un izraisīt nopietnas traumas.
- Kad motorzāģis tiek iedarbināts, ķēdes bremzei ir jābūt ieslēgtai. Skatīt norādījumus rubrikā "Iedarbināšana un apstādināšana". Nekad nedarbiniet motorzāģi, turot auklu un palaižot vaļā motorzāģi. Tā ir ļoti bīstama metode, jo tādā veidā var zaudēt kontroli pār motorzāģi. (55)
- Nekad nedarbiniet mašīnu telpās. Ņemiet vērā, ka motora izplūdes gāzes var būt bīstamas veselībai.
- Pārliecinaties, ka tuvumā neatrodas cilvēki vai dzīvnieki, kas var nonākt saskarē ar griešanas aprīkojumu.
- Motorzāģi vienmēr turiet ar abām rokām. Ar labo roku turiet aizmugures rokturi, bet ar kreiso roku – priekšējo rokturi. **Šo satvērienu ir jāizmanto visiem lietotājiem, arī krejiem.** Rokturus satveriet stingri ar īkšķiem un pirkstiem, lai tie aptver rokturus.

Apstādināšana

Motora apturēšanai start/stop slēdzi nospiež uz leju. (59)

UZMANĪBU! Start/Stop kontakts automātiski atgriežas darba stāvoklī. Lai izvairītos no nejaušas iedarbināšanas, kad ierice tiek atstāta bez uzraudzības, aizdedzes sveces uzgalis vienmēr ir jāatvieno no aizdedzes sveces. (60)

Pirms katras lietošanas reizes: (61)

- 1 Pārbaudiet, vai ķēdes bremze kārtīgi darbojas un nav bojāta.
- 2 Pārbaudiet, vai aizmugures roktura aizsargs nav bojāts.
- 3 Pārbaudiet, vai akceleratora blokators kārtīgi darbojas un nav bojāts.
- 4 Pārbaudiet, vai apstādināšanas poga kārtīgi darbojas un nav bojāta.
- 5 Pārbaudiet, vai visi rokturi ir tīri no eļļas.
- 6 Pārbaudiet, vai vibrāciju slāpēšanas sistēma darbojas un nav bojāta.
- 7 Pārbaudiet, vai trokšņu slāpētājs ir stingri piestiprināts un nav bojāts.
- 8 Pārbaudiet, vai motorzāga visas detaļas ir piegrieztas un vai tās nav bojātas vai neiztrūkst.
- 9 Pārbaudiet, vai ķēdes uztvērējs ir vietā un nav bojāts.
- 10 Pārbaudiet ķēdes spriegojumu.

Vispārējās darba instrukcijas

SVARĪGI!

Šajā nodaļā tiek apskatīti pamata drošības noteikumi darbā ar motorzāģi. Šī informācija nekādā ziņā neaizstāj profesionālu sagatavotību izglītības veidā un pieredzi. Ja rodas nedroša situācija, kad neesat drošs kā rīkoties tālāk, pārtrauciet darbu un konsultējieties ar speciālistu. Saņemieties ar savu motorzāģu veikalu, servisa darbnīcu vai ar kādu pieredzējušu motorzāģu lietotāju. Nekad nedariet darbu, kā veiktšanai nejutaties pietiekoshi kvalificēti!

Pirms motorzāģa lietošanas jums ir jāzina, ko nozīmē rāviens un kā no tā izvairīties. Skatīt norādījumus zem rubrikas Pasākumi rāvienu novēršanai.

Pirms motorzāģa lietošanas jums ir jāsaprot starpība starp zāģēšanu ar slīdes augšējo un apakšējo malu. Skatiet norādījumus rubrikā "Atsītienu novēršanas pasākumi" un "Mašīnas drošības aprīkojums".

Lietojiet individuālo drošības aprīkojumu. Skatīt norādījumus zem rubrikas Individuālais drošības aprīkojums.

Drošības pamatnoteikumi

- 1 Uzmaniet apkārtni:
 - Lai pārliecinātos, ka tuvumā nav cilvēku, dzīvnieku, vai priekšmetu, kas var ietekmēt jūsu kontroli pār mašīnu.
 - Lai pārliecinātos, ka jūsu zāģis nevar skart nevienu no iepriekš minētajiem vai arī, ka tos nevar skart kritošs koks.
- 2 **UZMANĪBU!** Ievērojiet šīs instrukcijas, bet nekad nelietojiet motorzāģi, ja nav iespēja nelaiemes gadījumā izsaukt palīdzību.
- 2 Nelietojiet zāģi siltos laika apstākļos. Piemēram biežā miglā, stiprā lietus gāzē, stiprā vējā, lielā aukstumā utt. Darbs siltos laika apstākļos ir nogurdinošs un saistīts ar bīstamiem riskiem, kā slidenu zemi, neprognozējamu koku krišanas virzienu, utt.
- 3 Esiet sevišķi uzmanīgs griežot sīkus zarus un izvairieties griezt krūmus (tas ir, daudzus sīkus zarus vienlaicīgi). Sīki

zari var iekerties ķēdē un tikt mesti jums virsū, radot nopietnus ievainojumus.

- 4 Raugiet, lai jūs varat droši pārvietoties un stāvēt. Apskatieties, vai jums apkārt nav kādi šķēršļi, kas var traucēt pēkšņu nepieciešamību pārvietoties (saknes, akmeņi, zari, bedres, utt.). Esiet sevišķi uzmanīgs, strādājot uz slīpas virsmas.
- 5 Esiet sevišķi uzmanīgs, zāģējot nospriegotus kokus. Nospriegots koks var atlekt atpakaļ savā sākotnējā stāvoklī gan pirms, gan pēc tā pārzāģēšanas. Ja jūs pats stāvat nepareizi vai, ja zāģējat nepareizā vietā, koks var trāpīt jums vai mašīnai tā, ka jūs zaudējat kontroli. Abi gadījumi var izraisīt nopietnus ievainojumus.



- 6 Pirms pārvietošanās, izslēdziet motoru un fiksējiet ķēdi ar ķēdes bremzi. Nesiet motorzāģi ar sliedi un ķēdi vērstu uz aizmuguri. Ja pārvietojaties tālāk, uzlieciet sliedi aizsargapvalku.
- 7 Ja noliekat motorzāģi uz zemes, nobloķējiet ķēdi ar ķēdes bremzi un paturiet motorzāģi savā redzes lokā. Ja pārtraukum ir ilgāki, motors ir jāizslēdz.



BRĪDINĀJUMS! Dažkārt skaidas iestrēgst sajūga apvalkā, kas izraisa ķēdes satrēģinājumu. Pirms tīrīšanas vienmēr apturēt dzinēju.

Pamatnoteikumi

- 1 Ja saprotat, kas ir rāviens un tā cēloņus, jūs tas nepārsteigs negaidīti. Ja esat sagatavojies, jūs mazināsiet ar rāvienu saistītos riskus. Rāvienu parasti ir mazi, bet atsevišķos gadījumos, tie var būt ļoti pēkšņi un ļoti spēcīgi.
- 2 Turiet motorzāģi vienmēr stingri rokās, ar labo roku uz aizmugurejo rokturi un ar kreiso roku uz priekšējo rokturi. Aptveriet rokturus ar pirkstiem un iekšji. Izmantojiet šo satvērienu vienalga, vai esat labrocis vai kreiliss. Šāds satvēriens mazina rāvienu sekas un palīdz jums savaldīt motorzāģi. **Nelaidiet vajā rokturus!**
- 3 Vairums nelaiemes, kas saistītas ar rāvienu, notiek zāģējot zarus. Nostājieties stabili un pārliecināties, ka jums nav nekā pa kājām, uz kā varētu paklupt vai, kas jūs izsistu no līdzsvara. Neuzmanība var izraisīt rāvienu, ja neparedzēti rāvienu zonā iekļūst zars, koks vai cits priekšmets. Kontrolējiet darba priekšmetu. Ja zāģējamie priekšmeti ir mazi un viegli, tie var iesprūst ķēdē un tikt izsviesti pret jums. Ja tas arī nav bīstami, jūs varat tikt negaidīti pārsteigts un zaudēt kontroli pār zāģi. Nekad nezāģējiet vairākus balķus vai zarus kopā, bet gan vispirms nodaliet tos. Katru balķi vai gabalu zāģējiet atsevišķi. Nolieciet malā nozāģētos gabalus, lai uzturētu drošu darba vietu. **(62)**
- 4 **Nekad nelietojiet motorzāģi virs plecu augstuma un cenšaties nezāģēt ar pašu slīdes galu. Nekad nelietojiet motorzāģi, to turot vienā rokā!** **(63)**

DARBA TEHNIKA

- 5 Lai pilnībā saglabātu kontroli pār motorzāģi, nepieciešams, ka jūs stabili stāvat. Nekad nestrādājiet, stāvot uz kāpnēm, augšā kokā vai, ja jums nav stabila pamata zem kājām. **(64)**
- 6 Vienmēr strādājiet ar maksimālu zāģēšanas – ķēdes griešanas ātrumu, tas ir, ar maksimālu akselerāciju.
- 7 Esiet sevišķi uzmanīgs, zāģējot ar sliedes augšējo malu, tas ir, no apakšas. To sauc par griešanu bīdīšanas režīmā. Šādos apstākļos ķēde stumj motorzāģi pret lietotāju. Ja ķēde iesprūst, motorzāģis var atsīties pret jums. **(65)**
- 8 Ja lietotājs nepretojās šim spiedienam, rodas risks, ka motorzāģis pavirzīsies tik tālu, ka tikai sliedes rāvienu zona būs saskarē ar koku, kas izraisīs rāvienu. **(66)**
- Ja zāģējat ar sliedes apakšu, tas ir, no pārzāģējamā priekšmeta augšas uz apakšu, to var saukt par zāģēšanu vilkšanas režīmā. Šādā gadījumā motorzāģis sevi velk koka virzienā un motorzāģa priekšējā mala ir dabisks balsts darba laikā. Griešana vilkšanas režīmā palīdz jums labāk novaldīt motorzāģi un kontrolēt rāvienu zonas atrašanās vietu. **(67)**
- 9 Sekojiet pamācībai par ķēdes asināšanu un sliedes kopšanu. Kad jūs nomaināt sliedi un ķēdi, lietojiet tikai tās kombinācijas, kuras mēs iesakām. Skatīt norādījumus zem rubrikas Griešanas aprīkojums un Tehniskie dati.

Zāģēšanas pamati



BRĪDINĀJUMS! Nekad nestrādājiet ar motorzāģi, turot to vienā rokā. Motorzāģi nevar droši novaldīt, turot ar vienu roku. Rokturus turiet ar abām rokām stingri un cieši.

Vispārēji

- Zāģējot, vienmēr strādājiet ar pilnu jaudu!
- Samaziniet motora ātrumu uz tukšgaitu pēc katra griezuma (motora darbināšana ar pilnu jaudu bez noslogojuma pārāk ilgi var radīt smagus motora bojājumus).
- Zāģēšana no augšas = Zāģēšana vilkšanas režīmā.
- Zāģēšana no apakšas = Zāģēšana stumšanas režīmā.

Zāģēšana stumšanas režīmā palielina rāvienu risku. Skatīt norādījumus zem rubrikas Pasākumi rāvienu novēršanai.

Terminoloģija

Griešana = Vispārējs apzīmējums koka zāģēšanai.

Atzarošana = Zaru nogriešana no nogāzta koka.

Nošķelšanā = Objekts, ko griežat, nolūzt pirms jūs pabeidzat zāģēšanu līdz galam.

Pirms sāciet griezt, ir jāpadomā par pieciem svarīgiem faktoriem:

- 1 Pārliecinaties, ka sliede neiesprūdis griezumā. **(68)**
- 2 Pārliecinaties, ka balķis nenošķelsies. **(69)**
- 3 Pārliecinaties, ka ķēde griešanas laikā vai pēc tam nepieskārsies zemei vai citam priekšmetam. **(70)**
- 4 Vai ir iespējams rāviens? **(4)**

- 5 Vai zemes virsma un apkārtnē var iespaidot jūsu stabilitāti un drošību darba laikā?

Divi faktori nosaka, vai ķēde iesprūdis un vai balķis pāršķelsies: pirmais – kā balķis balstās pirms un pēc griešanas vietas un otrs – vai balķis nav zem spriedzes.

Vairums situācijās jūs varat izvairīties no šīm problēmām griežot divos etapos, vispirms no balķa augšas, tad no apakšas. Jums ir balķis jāatbalsta tā, ka tas neiespieš ķēdi vai nepāršķelsies griešanas laikā.

SVARĪGI! Ja ķēde ieķērās griezumā: apstādiniet motoru! Nemēģiniet ar spēku atbrīvot motorzāģi. Jūs varat savainot sevi ar ķēdi, ja motorzāģis pēkšņi izraujas. Atspiediet griezumu vaļā ar sviru, tādējādi atbrīvojot motorzāģi.

Sekojošos padomus tiek izskaidrots, kā rīkoties parastās motorzāģa lietošanas situācijās.

Atzarošana

Griežot resnus zarus, lietojiet iepriekš minētās metodes.

Grieziet sarežģītus zarus pa gabalam. **(71)**

Griešana



BRĪDINĀJUMS! Nekad nemēģiniet zāģēt grēdās sakrautus vai kopā guļošus balķus. Tādā veidā jūs pamatīgi palielināt risku, kas var novest pie nopietnām vai dzīvībām bīstamām traumām.

Ja jums ir jāzāģē grēdās sakrauti balķi, katrs zāģējamais balķis ir jānoceļ no grēdas un jānovieto uz steķa vai laidņa un jāzāģē atsevišķi.

Nozāģēto gabalu pārvietojiet prom no darba vietas. Atstājot tos darba vietā, jūs riskējat kļūdas dēļ būt pakļauts atsitienam un zaudēt darba laikā līdzsvaru. **(72)**

Balķis guļ uz zemes. Risks, ka ķēde ieķersies vai, ka balķis pāršķelsies, ir mazs. Toties, ir risks, ka ķēde pieskārsies zemei, kad jūs nobeigsiet griezumu. **(73)**

Pilnīgi pārgrieziet balķi no augšas. Cenšaties nepieskarties zemei, nobeidzot griezumu. Grieziet ar motora pilnu jaudu, bet esiet gatavs jebkuram pavērsienam. **(74)**

Ja iespējams pagrieziet balķi, pārtrauciet griešanu, kad esat pārzāģējis 2/3 no balķa.

Aprieziet balķi un nobeidziet atlikušo 1/3 griezienu no otras puses. **(75)**

Balķis balstās tikai vienā galā. Liels risks, ka tas pāršķelsies. **(76)**

Sāciet griezt no apakšas (iezāģējiet balķi līdz 1/3 no diametra).

Pabeidziet griezumu, zāģējot no augšas tā, lai abi griezumi satiekas. **(77)**

Balķis atbalstās abos galos. Liels risks, ka ķēde iesprūdis. **(78)**

Sāciet griezt no augšas (iezāģējiet balķi līdz 1/3 no diametra).

Pabeidziet, griežot no apakšas tā, lai abi griezumi satiekas. **(79)**

Koku gāšanas metodes

SVARĪGI! Lai gāztu kokus, ir nepieciešama liela pieredze. Nepieredzējušiem motorzāģa lietotājiem nav ieteicams gāzt kokus. Nekad neveiciet darbus, kuru veikšanai neįtūtiaties pietiekoši kvalificēti!

Drošs attālums

Drošam attālumam starp koku, kuru gāzīs un tuvākodarba laukumu, ir jābūt vismaz 2 1/2 no gāžamā koka garuma. Pārļiecinaties, ka neviens neatrodas "riskā zonā" pirms un koka gāšanas laikā. **(80)**

Gāšanas virziens

Mērķis ir nogāzt koku tā, lai tas gulētu visizdevīgāk atzarošanas un sagriešanas darbiem. Tam ir jānokrīt vietā, kur jūs varat droši un brīvi pārvietoties.

Kad jūs esat nolēmis, kādā virzienā vēlaties koku gāzt, jums jānovērtē koka dabiskais krišanas virziens.

To ietekmē vairāki faktori:

- Koka sasvēršanās
- Ja koks ir liks
- Vēja virziens
- Zaru izvietojums
- Sniega smagums
- Šķēršļi koka apkārtnē: piemēram, citi koki, elektrības līnijas, ceļi un ēkas.
- Apskatiet koku, vai tas nav bojāts un ieguvis, lai tas nesāk krist ātrāk nekā jūs to varat paredzēt.

Jūs varbūt konstatēsiet, ka esat spiests gāzt koku tā dabiskā krišanas virzienā, jo to gāzt jums vēlamā virzienā var būt neiespējami vai bīstami.

Vēl viens svarīgs faktors, kas neietekmē gāšanas virzienu, bet var ietekmēt jūsu drošību – vai kokam nav bojāti vai nokaltuši zari, kas var nolūzt un jums uzkrīt gāšanas darbu laikā.

Galvenais ir novērst, lai koks neuzkrīt citam kokam. Novākt šādu nepareizi kritušu koku var būt ļoti bīstami, un pastāv liels nelaimes gadījumu risks. Skatīt norādījumus rubrikā Nepareizi krituša stumbrā atbrīvošana. **(81)**

SVARĪGI! Kritiskos koka gāšanas brīžos, vienmēr noņemiet aizsargaustiņa, kad beidzāt zāģēt, lai varētu labi saklausīt skaņas un trokšņus.

Stumbrā notīrīšana un atkāpšanās ceļa sagatavošana

Atzarojiet stumbrā līdz plecu augstumam. Drošāk ir strādāt no augšas uz leju, lai stumbrs ir starp jums un motorzāģi. **(82)**

Novāciet krūmus un citu augsni ap koka stumbru un pārļiecinaties, ka apkārtnē nav šķēršļu (akmeņi, zari, bedres, utt.) jūsu atkāpšanās ceļam brīdī, kad koks sāk gāzties. Jūsu atkāpšanās ceļš ir apmēram 135 grādu leņķi no iecerētā koka krišanas virziena. **(83)**

- 1 Riska zona
- 2 Atgriešanās ceļš
- 3 Gāšanas virziens

Koku gāšana



BRĪDINĀJUMS! Ja neesat speciāli apmācīts, ieteicam negāzt kokus, kuru stumbrā diametrs pārsniedz jūsu zāģa sliedes garumu!

Gāšanu veic ar trīs dažādiem griezumumiem. Vispirms izdariat virziena griezumumu, kas sastāv no augšējā un apakšējā griezuma, kuriem seko gāšanas griezumums. Pareizi izvietojot šos griezumumus, jūs varat ar lielu precizitāti noteikt gāšanas virzienu.

Virziena griezumumi

Pirms aizzāģējuma veikšanas, lai koks kristu pareizā virzienā, ir jānozīmē apakšējie koka zari. Mērķējiet uz attālu punktu apvidū tajā virzienā, kur vēlaties lai kristu koks (2), vadoties pēc koka gāšanas virziena apzīmējuma uz zāģa (1). Stāviet koka labajā pusē, nostājieties aiz zāģa un zāģējiet ar velkošu ķēdi.

Tad izdariat apakšējo griezumumu, lai tas beigtos tur, kur beidzas augšējais griezumums. **(84)**

Abiem griezumumiem kopumā jāšķel apmēram 1/4 stumbrā diametru, veidojot apmēram 45 grādu leņķi.

Līnija, kur abi griezumumi satiekas ir gāšanas virziena griezumuma līnija. Tai jābūt pilnīgi horizontālai un taisnā leņķī (90 grādu) iepretim iecerētam gāšanas virzienam. **(85)**

Gāšanas griezumums

Gāšanas griezumumu izdara no koka pretējās puses un tam jābūt pilnīgi horizontālam. Stāviet koka kreisā pusē un griežiet ar sliedes apakšējo pusi.

Izdariat gāšanas griezumumu apmēram 3–5 cm (1,5–2 collas) virs virziena griezuma horizontālās līnijas. **(86)**

Mizas balstu (ja tas ir piemontēts) piespiediet aiz laušanas strēmeles. Griežiet ar pilnu motora jaudu, lēnām virzot sliedi un ķēdi pret koku. Vērojiet, vai koks nesāk svērties pretējā virzienā tam, kurā jūs vēlaties koku gāzt. Iedzeniet ķīli vai lauzni griezumā līdz ko tas ir pietiekami dziļš.

Nogriežiet gāšanas griezumumu paralēli ar gāšanas virziena griezumuma līniju, atstājot atstarpī, kas atbilst 1/10 stumbrā diametram. Stumbrā nepārgrieztu daļu sauc par laušanas strēmeli.

Laušanas strēmele darbojas kā enges, kas nosaka gāžamā koka krišanas virzienu. **(87)**

Ja laušanas strēmele ir pārāk šaura un ja virziena griezumumi un gāšanas griezumumi ir nepareizi izvietoti, jūs zaudēsiet kontroli pār koka krišanas virzienu. **(88)**

Kad gāšanas griezumums ir virziena griezumumi ir pabeigti, koks sāks gāzties pats no sava svara vai ar ķīļa vai laužņa palīdzību. **(89)**

Mēs iesakām izmantot tādu sliedes garumu, kas pārsniedz stumbrā diametru, lai krišanas un virziena iegriezumi ir izdarāmi ar tā saucamo "vienkāršo griezumumu". Par jūsu motorzāģa modeli piemērotajiem sliedes garumiem lasiet rubrikā "Tehniskie dati".

Ir paņēmieni, kā gāzt kokus, kam stumbrā diametrs lielāks par sliedes garumu. Taču šādi paņēmieni ir saistīti ar palielinātu rāvienu risku. **(4)**

Nepareizi krituša stumbra atbrīvošana

Kā atbrīvot aizķērušos koku

Novākt šādu nepareizi kritušu koku var būt ļoti bīstami, un pastāv liels nelaimes gadījumu risks.

Nekad nemēģiniet zāgēt iekārušos koku.

Nekad nestrādājiet iekārušos koku riska zonā. **(90)**

Drošākais paņēmieni ir lietot treilēšanas ierīci.

- Ar traktoru
- Portatīvu

Kā griezt kokus un zarus, kas ir zem spriedzes

Sagatavošanās: Novērtējiet, kādā virzienā koks vai zars pārvietosies, ja to atbrīvos un, kur tam ir dabiskais lūšanas punkts (vieta, kur tas lūztu, ja to vēl vairāk saliektu). **(91)**

Izdomājiet drošāko veidu kā atsvabināt spriedzi un vai jūs to spējat droši izdarīt. Sarežģītās situācijās vienīgais drošais paņēmieni ir nolikt motorzāģi pie malas un lietot treilēšanas ierīci.

Vispārēji padomi:

Nostājjieties tā, ka koks vai zars jūs neskar, kad tas atbrīvosies. **(92)**

Izdariet vienu vai vairākus griezumus pie lūšanas punkta. Izdariet pietiekoši daudz un dziļus griezumus, lai mazinātu spriegojumu un panāktu, ka koks var pārlūzt pie lūšanas punkta. **(93)**

Nekad negrieziet taisni caur kokam vai zaram, kas ir zem spriedzes!

Ja jums ir jātiek cauri kokam/zaram, tad izdariet divus vai trīs griezumus ar 3 cm atstatumu 3–5 cm dziļumā. **(94)**

Turpiniet zāgēt dziļāk, kamēr koks/zars atbrīvojas no nospriegojuma. **(95)**

Kad koks/zars vairs nav nospriegotā stāvoklī, zāgējiet to no iegriezumam pretējās puses.

Izvairīšanās no rāvieniem



BRĪDINĀJUMS! Rāvienu var būt ļoti pēkšņi un spēcīgi, triecot motorzāģi, sliedi un ķēdi zāģa lietotāja virzienā. Ja tas gadās, kad ķēde ir darbībā, lietotājs var gūt ļoti nopietnus, pat nāvējošus ievainojumus. Ļoti svarīgi saprast, kādēļ rodas rāvienu un kā no tiem izvairīties, lietojot pareizus darba paņēmienus.

Kas ir rāviens?

Par motorzāģa rāvienu sauc pēkšņo reakciju, ko izraisa sliedes priekšgala augšas (to sauc par rāvienu zonu) pieskaršanās kādam priekšmetam, atsītot zāģi uz at muguri. **(66)**

Rāvienu vienmēr notiek zāģēšanas plāksnē. Parasti motorzāģi un sliedi met at muguriski un uz augšu lietotāja virzienā. Ir arī iespējams, ka motorzāģi triec citā virzienā atkarībā no tā kā to lietoja brīdī, kad sliedes rāvienu zona pieskārs kādam priekšmetam. **(7)**

Rāvienu gadās tikai tad, ja sliedes rāvienu zonā nokļūst kāds priekšmets. **(4)**

Atzarošana



BRĪDINĀJUMS! Lielākā daļa no atsitienu izraisītiem nelaimes gadījumiem notiek veicot atzarošanas. Neizmantojiet sliedes atsitienu riska sektoru. Īpaši uzmanīgi esiet un izvairieties, lai sliedes gals nenonāk kontaktā ar balķi, citiem zariem vai priekšmetiem. Īpaši uzmanīgi esiet ar iesprūdušiem zariem. Tie var kā atspere atlēkt pret jums, jūs varat zaudēt kontroli un gūt traumas.

Pārliecinaties, ka varat droši pārvietoties un stāvēt! Strādājiet no stumbra kreisās puses. Turaties tuvu motorzāģim, lai varētu maksimāli labi pārvaldīt zāģi. Ja iespējams, ļaujiet zāģim atgulties ar savu smagumu uz stumbru.

Turiet stumbru starp sevi un motorzāģi, kamēr jūs virzāties gar stumbru.

Stumbru sagarumošana

Skatīt norādījumus zem rubrikas Griešanas pamati.

Vispārēji

Lietotājs drīkst veikt tikai tādas apkopes un servisa darbus, kas aprakstīti šajā lietošanas pamācībā. Plašāka mēroga ierīkšanu ir pieļaujama specializētā darbnīcā.

Karburatora regulēšana

Jūsu Husqvarna izstrādājums konstruēts un veidots, pamatojoties uz specifiskajām, lai samazinātu kaitīgo gāzu izplūdi.

Darbība

- Karburators regulē motora ātrumu ar droseles palīdzību. Gaisa un degviela samaisās karburatorā. Gaisa/degvielas maisījumu var noregulēt. Lai mašina darbotos ar maksimālu efektivitāti, maisījuma regulēšanai ir jābūt pareizai.
- T skrūve regulē tukšgaitas ātrumu. Ja T skrūvi griež pulksteņrādītāja virzienā, tas pātrina tukšgaitu; pretēji pulksteņrādītāja virzienā to palēnina.

Pamatneregulēšana un iestrāde

Karburators ir iestādīts pamatneregulējumā, kad topārbauda fabrikā. Precīzā regulēšana ir jāveic izglītotam un zinošam personālam.

Ieteicams brīvgaitas apgriezienu skaits: Skatīt nodaļu Tehniskie dati.

Tukšgaitas ātruma T galīgā noregulēšana

Noregulējiet tukšgaitas ātrumu ar skrūvi T. Ja nepieciešams pārregulēt, vispirms, grieziet skrūvi T pulksteņrādītāja virzienā, kamēr ķēde sāk griezties. Tad grieziet pretēji pulksteņrādītāja virzienā, kamēr ķēde apstājas. Tukšgaitas ātrums ir pareizs, ja motors darbojas gludi visās pozīcijās ar labu apgriezienu drošības rezervi, iekams ķēde sāk griezties.



BRĪDINĀJUMS! Konsultējieties servisa darbnīcā, ja tukšgaitas ātrumu nevar noregulēt tā, ka ķēde negriežas. Nelietojiet motorzāģi, iekams tas nav pareizi noregulēts vai salabots.

Pareizi noregulēts karburators

Pareizi noregulēts karburators uzņem ātrumu nekavējoties un tas mazliet "skan kā četraktņnieks" sasniedzot maksimālo ātrumu. Ķēde nedrīkst griezties tukšgaitā. Pārāk plāni noregulēta zemu apgriezienu skaita skrūve L var radīt iedarbināšanas grūtības un sliktu akselerāciju. Pārāk plāni noregulēta lielā ātruma skrūve H dod pārāk maz jaudas = mazāk spēka, sliktu akselerāciju un/vai rada motora bojājumus.

Motorzāģa drošības aprikojuma pārbaude, apkalpe un serviss

Ievērojiet! Mašīnas visa veida serviss un labojumi ir jāveic cilvēkiem ar speciālu izglītību. Tas īpaši attiecas uz mašīnas drošības aprikojumu. Ja mašina neatbilst kādiem no tālāk minētajiem kontroles parametriem, mēs iesakām griezties servisa darbnīcā.

Ķēdes bremze ar aizsargu pret rāvieniem

Bremzes stipas nolietojšanās kontrole



Notīriet skaidas, sveķus un citus netīrumus no ķēdes bremzes un sajūga cilindra. Netīrumi un nolietojšanās ietekmē bremzes darbību. **(96)**

Regulāri pārbaudiet, ka bremžu stīpa ir vismaz 0,6 mm bieza visplānākā vietā.

Rāvienu drošības sviras pārbaude



Pārliedzināties, ka rāvienu drošības svira nav bojāta un tai nav redzami defekti, piemēram, plaisas.

Pavirziet rāvienu drošības sviru uz priekšu un atpakaļ, lai pārliedzinātos, ka tā brīvi kustas un ir piestiprināta pie sajūga vāka.

Inerces funkcijas pārbaude



Motorzāģi ar izslēgtu motoru novietojiet uz kāda celma vai cita stabila priekšmeta. Atlaidiet rokturi un ļaujiet motorzāģim krist pret celmu no sava svara, rotējot ap aizmugures rokturi. **(97)**

Kad slīdes gals trāpa celmam, jāiedarbojas bremzei. (98)

Bremzes iedarbības kontrole

Novietojiet motorzāģi uz stabila pamata un iedarbiniet to. Uzmaniet, lai ķēde nepieskaras zemei vai kādam citam priekšmetam. Skatiet norādījumus zem rubrikas iedarbināšana un apstādināšana. **(99)**

Satveriet motorzāģi stingri, ar pirkstiem un ikšķi cieši aptverot rokturus.

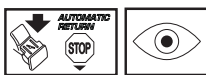
Iedarbiniet droseļi ar pilnu jaudu un iedarbiniet ķēdes bremzi, pieskaroties rāvienu drošības svirai ar rokas locītavu. Nelaidiet vaļā priekšējo rokturi. **Ķēdei vajadzētu momentā apstāties. (58)**

Drošes blokators



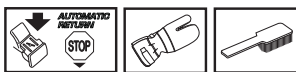
- Pārliecināties, ka drosele ir noblokēta tukšgaitā, kad drošes blokators ir savā izejas pozīcijā. **(100)**
- Nospiediet drošes blokatoru un pārliecināties, ka tas atgriežas sākotnējā pozīcijā, kad to atkal palaižat. **(101)**
- Pārbaudiet, vai drosele un Drošes blokators kustās brīvi un, ka atspere darbojas pareizi. **(102)**
- Iedarbiniet motorzāģi un iedarbiniet drosele ar pilnu jaudu. Atļaidiet drosele un pārbaudiet, vai ķēde apstājas un paliek nekustīga. Ja ķēde griežas, kad drosele ir nostādīta tukšgaitā, pārbaudiet karburatora tukšgaitas režīmu.

Ķēdes pārtvērējs



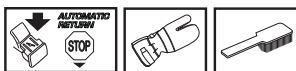
Pārbaudiet, vai ķēdes pārtvērējs nav bojāts un ir stingri piestiprināts pie motorzāģa korpusa. **(103)**

Labās rokas aizsargs



Pārbaudiet, vai labās rokas aizsargs nav bojāts un ir bez redzamiem defektiem, piemēram, plaisām. **(11)**

Vibrāciju samazināšanas sistēma



Regulāri pārbaudiet, vai vibrāciju slāpēšanas aprīkojumā nav redzamas plaisas un deformācijas. Pārliecināties, ka vibrāciju slāpēšanas aprīkojums ir stingri piestiprināts motoram un rokturiem. **(104)**

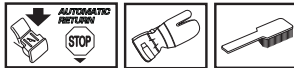
Stop slēdzis



Iedarbiniet motoru un pārliecināties, ka motors apstājas, kad stop slēdzi pārbīda uz stop pozīciju. **(59)**

UZMANĪBU! Start/Stop kontakts automātiski atgriežas darba stāvoklī. Lai izvairītos no nejaušas iedarbināšanas, aizdedzes sveces uzgalis vienmēr ir jāatvieno no aizdedzes sveces jebkurā montāžas, kontroles un/vai apkopes gadījumā.

Trokšņa slāpētājs



Nekad nelietojiet mašīnu ar bojātu trokšņu slāpētāju.

Regulāri pārbaudiet, vai trokšņu slāpētājs ir stingri piestiprināts mašīnai. **(105)**

Daži trokšņu slāpētāji ir aprīkoti ar speciālu dzirksteli uztveršanas režģi. Ja jūsu mašīna ir aprīkota ar šāda veida slāpētāju, ieteicams tīrīt režģi vismaz vienu reizi nedēļā. To dara ar metāla birsti. Aizsērējis siets pārķarsē motoru un tā rezultātā var nopietni sabojāties motors.

Ievērojiet! Ja režģis ir bojāts, tas jānomaina. Piesērējis režģis pārķarsēs mašīnu, kas radīs bojājumus cilindrā un virzulim. Nekad nelietojiet mašīnu ar bojātu vai piesērējušu režģi.

Nekad nelietojiet trokšņu slāpētāju, bez dzirksteli aizturēšanas režģa vai, ja tas ir bojāts. (13)

Trokšņu slāpētājs ir konstruēts, lai mazinātu trokšņu līmeni un lai novirzītu izdedžu gāzes prom no lietotāja. Izdedžu gāzes ir karstas un var saturēt dzirksteles, kas var izraisīt ugunsgrēku, ja tās skar sausu, viegli degošu vielu.

Starteris



BRĪDINĀJUMS! Kad startera atspere ir ielikta starterī, tā ir savilkta un, neuzmanīgi rīkojoties, tā var izlekt un radīt ievainojumus.

Esiet uzmanīgi, mainot startera atspere vai startera auklu. Izmantojiet aizsargbrilles un aizsargcimdus.

Startera auklas maiņa



- Atskrūvējiet skrūves, kas pietur starteri pie korpusa un noņemiet to nost. **(106)**
- Izvelciet auklu apmēram 30 cm un ieceliet to spoles rievā. Atspriegojiet startera atspere, ļaujot spolei lēnām griezties atpakaļ. **(107)**
- Atgrieziet skrūvi atspoles centrā un izvelciet aptveres atspoli (A), atspere (B) un spoli (C). Ielieciet un iestipriniet auklu atspolē. Pa kādiem 3 apgriezieniem iztīniet auklu no atspoles. Iestipriniet spoli atspere (D), lai atspere gali aizķeras aiz atspoles. Pēc tam piestipriniet satveres atspere, satveres atspoli un skrūvi atspoles centrā. Ielieciet startera auklu starterī un startera rokturī. Pēc tam sasieniet pamatīgu mezglu. **(108)**

Startera atsperes nospriegošana

- Izvelciet startera auklu no startera spoles rievās un pagrieziet spoli 2 apgriezienus pulksteņrādītāju virzienā. Ievērojiet! Pārbaudiet, lai startera spoli var apgriezt vismaz pusapgriezienu tad, kad startera aukla ir izvilka līdz galam. **(109)**

Nostiepiet auklu ar rokturi. Noņemiet iekšēji un atļaidiet auklu. Skatīt attēlu zemāk. **(110)**

Atgriezeniskās un satvērējatsperes maiņa.



Atgriezeniskā atspere (A)

- Izceliet auklas spoli. Skatīt norādījumus zem rubrikas Plisušas vai nodilušas startera auklas maišana. Atcerieties, ka atspere startera korpusā ir saspiestā stāvoklī.
- No startera demontējiet kaseti ar atspēri.
- Startera atspēri ieeļļojiet ar šķidru eļļu. Ielieciet kaseti ar atspēri starteri. Piestipriniet auklas spoli un uzvelciet atspēri.

Satvērēja atspere (B)

- Atgrieziet atspoles centra skrūvi un izceliet satvērēja atspoli un satvērēja atspēri.
- Nomainiet satvērēja atspēri un piemontējiet virs atsperes satvērēja atspoli. (111)

Startera ierīces salikšana

- Starteri samontē, vispirms izvelkot startera auklu, tad nolieciet starteri vietā pret korpusu. Tad pamazām atlaidiet startera auklu tā, ka spole iekeras startera sakabē.
- Ielieciet un piegrieziet skrūves, kas fiksē starteri.

Gaisa filtrs



Gaisa filtrs regulāri jātīra no putekļiem un netīrumiem, lai novērstu:

- Kaburators sabojāšanos
- Iedarbināšanas grūtības
- Jaudas samazināšanos
- Motora detaļu nevajadzīgu nodilšanu
- Nenormāli lielu degvielas patēriņu.
- Izjauciet gaisa filtru, ņemot filtra vāku un atskrūvējot filtru. Atkal saliekot kopā, pārliecinieties, ka filtrs turas cieši savā tvērtņē. Tīriet filtru ar birsti vai, izkratot. (112)

Vēl labāk filtru var iztīrīt, mazgājot ar ziepjūdeni.

Gaisa filtrs, kas lietots ilgāku laiku, nav pilnīgi iztīrāms. Tādēļ tas jānomaina ar jaunu filtru. **Vienmēr nomainiet bojātu gaisa filtru.**

HUSQVARNA motorzāģi var aprīkot ar dažāda veida gaisa filtriem atkarībā no darba un laika apstākļiem, gada laika, utt. Padomu prasiet pārdevējam/dilerin.

Aizdedzes svece



Aizdedzes sveces stāvokli ietekmē sekojošais:

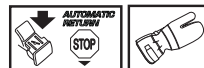
- Nepareiza karburatora noregulēšana.
- Nepareizs degvielas maisījums (pārāk daudz vai nepareizas markas eļļa).
- Netīrs gaisa filtrs.

Šie faktori izraisa nogulsņumus uz elektrodiem, kas var radīt darbības traucējumus un iedarbināšanas grūtības.

Ja mašīnai ir zema jauda, ja to grūti iedarbināt, vai tas darbojas slikti tukšgaitā, vispirms pārbaudiet aizdedzes sveci. Ja svece ir netīra, notīriet to un pārbaudiet vai atstarpe starp elektrodiem ir 0,5 mm. Svece ir jānomaina, ja tā ir lietota vairāk nekā mēnesi, vai arī, ja nepieciešams, ātrāk. (113)

Ievērojiet! Vienmēr lietojiet ieteikto sveces tipu! Nepareiza svece var nopietni bojāt virzuli/cilindru. Pārbaudiet, vai aizdedzes svecei ir tā saucamais radio traucējumu novērsējs.

Adatgultņa ieeļļošana



Sajūga cilindrs uz izejošās ass ir aprīkots ar adatu gultni. Šis adatu gultnis ir regulāri jāieeļļo.

Ieeļļojot tiek demontēts sajūga apvalks, atgriežot tos divus stienā uzgriežņus. Novietot zāģi gulus uz sāniem, ar sajūga cilindru uz augšu.

Ieeļļojot, motoreļļa tiek pilināta pie sajūga cilindra centra, sajūga cilindram rotējot. (114)

Dzesēšanas sistēma



Mašīna ir aprīkota ar dzesēšanas sistēmu, lai nodrošinātu maksimālu zemu motora temperatūru darba laikā.

Dzesēšanas sistēma sastāv no:

- 1 Gaisa iesūkšanas sprauslas starteri.
- 2 Gaisa straumes vadīšanas plāksnes.
- 3 Ventilatora spārņņiem uz sparrata.
- 4 Dzesināšanas spārņņiem uz cilindra.
- 5 Cilindra pārsega (piegādā vēsu gaisu cilindram). (115)

Tīriet dzesināšanas sistēmu ar birsti reizi nedēļā vai biežāk smagākos darba apstākļos. Netīra vai piesērējusi dzesināšanas sistēma izraisa mašīnas pārkaršanu, kas, savukārt, bojā virzuli un cilindru.

Centrifugālā tīrīšana ar "Air Injection"

Centrifugālā tīrīšana nozīmē: Viss gaiss karburatoram plūst caur starteri. Netīrumus un putekļus aizrauj dzesēšanas ventilators. **(116)**

SVARĪGI! Lai centrifugālā tīrīšana darbotos, ir nepieciešama pastāvīga apkope. Izīriet startera gaisa ievades sprauslu, spararata ventilatora spārnīņus, telpu ap spararatu, gaisa pievades cauruli un telpu ap karburatoru.

Lietošana ziemā

Izmantojot mašīnu aukstumā un sniega apstākļos, var rasties ekspluatācijas traucējumi, kuru iemesls ir:

- Pārāk zema motora temperatūra.
- Gaisa filtra un karburatora apledošana.

Tādēļ jāievēro sekojoši nosacījumi:

- Daļēji samaziniet startera gaisa padevi, tādējādi ceļot motora temperatūru.

Kad temperatūra -5°C vai zemāka:



Mašīnas darbināšanai aukstā laikā vai sausā, pūderveidīgā sniegā, ir pieejams speciāls pārsegs, ko pievieno startera pārsegam. Tas mazina gaisa padevi un novērš, ka motorā ieplūst daudz sniega. **(117)**

UZMANĪBU! Ja mašīnai uzliek speciālo ziemas uzkabi, vai, ja tiek paaugstināta motora temperatūra, motors ir atkal jānoregulē normāliem apstākļiem, kad to lieto normālos apstākļos. Citādi rodas pārkaršanas risks, kas var nopietni bojāt motoru.

SVARĪGI! Jebkura apkope, izņemot to, kas aprakstīta šajā pamācībā, veicama tikai specializētā darbnīcā vai veikalā.

APKOPE

Apkopes grafiks

Zemāk ir redzams mašīnas apkopes pasākumu saraksts. Lielākā daļa no produktiem ir aprakstīti nodaļā Apkope.

Ikdienas apkope	Nedēļas apkope	Ikmēneša apkope
Notīriet mašīnas virsmu.	Katru nedēļu pārbaudiet dzesēšanas sistēmu.	Pārbaudiet ķēdes bremzes siksnu, vai tā nav nodilusi. Nomainiet to, ja visizdilušākajās vietās tās biezums ir tikai 0,6 mm.
Pārbaudiet, lai droseles detaļas darbotos droši. (Droseles regulators un tā blokators.)	Pārbaudiet starteri, startera auklu, atgriezenisko atsperi.	Pārbaudiet, ka sajūga centrs, sajūga cilindrs un sajūga atspere nav nodilušas.
Notīriet ķēdes bremzi un pārbaudiet tās darbību no drošības viedokļa. Pārbaudiet, vai ķēdes uztvērējs nav bojāts, nomainiet, ja nepieciešams.	Pārbaudiet, vai nav bojāti vibrāciju slāpējošie elementi.	Notīriet aizdedzes sveci. Pārbaudiet vai elektrodu atstarpe ir 0,5 mm.
Lai panāktu tās vienmērīgāku nodilumu, sliede regulāri jālieto. Kontrolējiet, lai sliedes eļļošanas caurums nebūtu aizsērējis. Iztīriet ķēdi.	Ieļļojiet sajūga cilindra gultni.	Notīriet karburatora ārpusi.
Pārbaudiet eļļas padevi un, vai sliede un ķēde saņem to pietiekoši.	Novilējiet iespējamās metāla skaidas no sliedes malām.	Pārbaudiet degvielas filtru un pievadus. Nomainiet, ja nepieciešams.
Pārbaudiet ķēdi attiecībā uz redzamiem ieplaisājumiem kniedēs un posmos un vai kniedes un posmi nav nodiluši. Ja nepieciešamas, nomainiet.	Iztīriet vai nomainiet trokšņu slāpētāja dzirkstelju uztveršanas režģi.	Iztukšojiet degvielas tvertni un no iekšpuses to iztīriet.
Asiniet ķēdi un pārbaudiet tās spriegumu un stāvokli. Pārbaudiet, vai nav nodilis dzinējzobrats un, ja nepieciešams, nomainiet.	Notīriet karburatora korpusu un gaisa tvertni.	Iztukšojiet eļļas tvertni un no iekšpuses to iztīriet.
Iztīriet startera gaisa ieplūdi.	Iztīriet gaisa filtru. Ja nepieciešams, nomainiet.	Pārbaudiet visus kabelus un savienojumus.
Pārbaudiet, vai skrūves un uzgriežņi ir piegriezti.		
Pārbaudiet, vai stopslēdzis darbojas.		
Pārbaudiet, vai nav manāma degvielas noplūde no motora, tvertnes vai degvielas vadiem.		
Pārbaudiet, vai tukšgaitā negriežas ķēde.		

TEHNISKIE DATI

Tehniskie dati

	435 II	435e II	440 II	440e II
Motors				
Cilindra tilpums, cm ³	40,9	40,9	40,9	40,9
Cilindra diametrs, mm	41	41	41	41
Šļūtenes garums, mm	31	31	31	31
Brīvgaitas apgriezienu skaits, apgr./min	2900	2900	2900	2900
Jauda, kW/ r/min	1,6/9000	1,6/9000	1,8/9000	1,8/9000
Aizdedzes sistēma				
Aizdedzes svece	NGK BPMR 7A/ Champion RCJ 7Y	NGK BPMR 7A/ Champion RCJ 7Y	NGK BPMR 7A/ Champion RCJ 7Y	NGK BPMR 7A/ Champion RCJ 7Y
Elektrodu attālums, mm	0,5	0,5	0,5	0,5
Degvielas/eļļošanas sistēma				
Benzīna tvertnes tilpums, litri	0,37	0,37	0,37	0,37
Eļļas sūkņa jauda pie 9000 a/m, ml/min	13	13	13	13
Eļļas tvertnes tilpums, litros	0,25	0,25	0,25	0,25
Eļļas sūkņa tips	Automātisks	Automātisks	Automātisks	Automātisks
Svars				
Motorzāģis bez sliedes un ķēdes un ar tukšām tvertnēm, kg	4,2	4,4	4,2	4,4
Trokšņa emisijas (skatīt 1. piezīmi)				
Skaņas jaudas līmenis, mērits dB(A)	112	112	113	113
Skaņas jaudas līmenis, garantēts L _{WA} dB(A)	114	114	114	114
Skaņas līmenis (skatīt 2. piezīmi)				
Ekvivalents skaņas spiediena līmenis pie lietotāja auss, dB(A)	102	102	102	102
Ekvivalenti vibrāciju līmeņi, a_{nveq} (sk. piezīmi Nr.3)				
Priekšējā rokturī, m/s ²	2,5	2,5	2,5	2,5
Aizmugurējā rokturī, m/s ²	3,2	3,2	3,2	3,2
Ķēde/sliede				
Standarta sliedes garums, collās/cm	13"/33	13"/33	13/33	13"/33
Ieteicamie sliedes garumi, collās/cm	13-18/33-45	13-18/33-45	13-18/33-45	13-18/33-45
Griešanai lietojamais garums, collās/cm	12-17/31-43	12-17/31-43	12-17/31-43	12-17/31-43
Solis, collās/mm	0,325/8,25	0,325/8,25	0,325/8,25	0,325/8,25
Dzinējiedaļas garums, collās/mm	0,050/1,3	0,050/1,3	0,050/1,3	0,050/1,3
Dzenošā skrīmeļa tips/zobu skaits	Spur/7	Spur/7	Spur/7	Spur/7
Ķēdes ātrums pie 133% maksimālo dzinēja apgriezienu, m/s.	23,1	23,1	23,1	23,1

Piezīme 1: Trokšņa emisija apkārtnerī ir mērīta kā trokšņa jauda (L_{WA}) saskaņā ar EK direktīvu 2000/14/EK.

Piezīme Nr. 2: Saskaņā ar ISO 22868, ekvivalentu trokšņa spiediena līmeni aprēķina pēc dažādu trokšņa spiediena līmeņu laikā izstarotās kopējās enerģijas pie dažādiem darba apstākļiem. Tipiska statistiskā izkliede ekvivalentam trokšņa spiediena līmenim ir standarta novirze 1 dB (A).

Piezīme Nr. 3: Saskaņā ar ISO 22867, ekvivalentu vibrācijas līmeni aprēķina pēc vibrāciju līmeņu laikā izstarotās kopējās enerģijas pie dažādiem darba apstākļiem. Sniegtajos datos par līdzvērtīgu vibrācijas līmeni ir tipiska statistiskā izkliede (standartnovirze) 1 m/s².


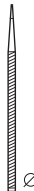
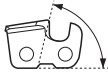
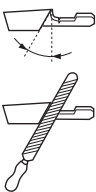

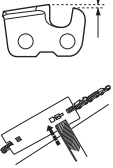
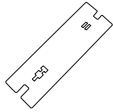
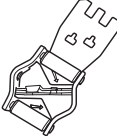
TEHNISKIE DATI

Slīdes un ķēdes kombinācijas

Husqvarna modeļiem 435 II, 435e II, 440 II un 440e II ir apstiprināti sekojoši piestiprinātie griezējinstrumenti.

Slīde				Zāģa ķēde	
Garums, collās	Solis, collās	Slīdes platums, mm	Gala zobrata maksimālais zobu skaits	Tips	Garums, dzenošie posmi (gab.)
13	0,325	1,3	10T	Husqvarna H30	56
15					64
16					66
18					72

Ķēdes asināšana un šabloni

							
H30	3/16 / 4,8	85°	30°	10°	0,025 / 0,65	5056981-00	5056981-08

Garantija par atbilstību EK standartiem (Attiecas vienīgi uz Eiropu)

Husqvarna AB, SE-561 82 Huskvarna, Zviedrija, tel. +46-36-1 46500 ar šo apliecina, ka ķēdes zāģis meža kopšanas darbiem **Husqvarna 435 II, 435e II, 440 II un 440e II** sākot ar 2013. gada sērijas numuriem un turpmāk (gada skaitlis, kam seko sērijas numurs, tiek norādīts uz uzlīmes) atbilst PADOMES DIREKTIVĀ norādītiem nosacījumiem:

- 2006. gada 17 maijs, Direktīva 2006/42/EK, "par mašīnu tehniku"
- 2004. g. 15. decembris "par elektromagnētisko saderību" **2004/108/EEC**.
- 2000. g. 8. maija "par trokšņu emisiju apkārtne" **2000/14/EK**.

Informāciju par trokšņu emisijām skatīt nodaļā Tehniskie dati. Izmantoti sekojoši standarti:

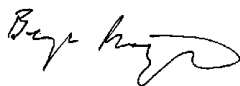
EN ISO 12100:2010, ISO 14982:2009, EN ISO 11681-1:2011

Pieteikuma iesniedzējs: **0404, SMP Svensk Maskinprovning AB**, Box 7035, SE-750 07 Uppsala, Zviedrija ir veikusi EK tipveida kontroli saskaņā ar mašīnu direktīvas (2006/42/EG) rakstu 12, punktu 3b. Apliecību par EK tipa kontroli saskaņā ar pielikumu IX numuri: **0404/09/2012** - 435 II, 435e II, 440 II, 440e II.

Tālāk SMP, Svensk Maskinprovning AB, Box 7035, SE-750 07 Uppsala, Zviedrija ir apliecinājus atbilstību padomes 2000. g. 8. maija direktīvas 2000/14/EK "par trokšņa emisiju apkārtne" pielikumam V. Sertifikātu numuri: **01/161/075** - 435 II, 435e II, **01/161/074** - 440 II, 440e II.

Piegādātais motorzāģis atbilst EK kontroles atzītajam motorzāģu tipam.

Husqvarna 2013. gada 8. aprīlis



Bengt Frögélius, Nodaļas vadītājs motorzāģu jautājumos (Pilnvarotais Husqvarna AB pārstāvis ir atbildīgs par tehnisko dokumentāciju.)

SUTARTINIAI ŽENKLAI

Simboliai ant įrengino:

PERSPĖJIMAS! Grandininiai pjūklai gali būti pavojingi! Dėl neapdairios ar neteisingos eksploatacijos naudotojas ar kiti asmenys gali rimtai ir net mirtinai susižeisti.

Prieš naudodami įrenginį, atidžiai perskaitykite naudojimosi instrukcijas ir įsitikinkite, ar viską gerai supratote.

Visada nešiokite:

- Pripažintą apsauginį šalną
- Pripažintas apsaugines ausines
- Apsauginiai akiniai arba apsauginis šalmo skydelis

Šis gaminytis atitinka galiojančius Europos (CE) reikalavimus.

Triukšmo emisijos į aplinką pagal Europos Bendrijos direktyvą. Įrenginio emisija pateikiama skyriuje Techniniai duomenys ir ant lipduko.

Degimas; sklendė: Nustatykite sklendės reguliatorių į sklendės padėtį. Tada išjungimo mygtukas automatiškai atsistos į užvedimo padėtį.

Kuro užpylimas.

Grandinės alyvos pripildymas.

Kuro siurblys.

Alyvos siurblio reguliavimas.

Grandinės stabdys: įjungtas (dešinėje), išjungtas (kairėje)

Likusieji ant įrenginio nurodyti simboliai pažymi specialius įvairiose rinkose keliamus sertifikavimo reikalavimus.



Simboliai naudojimosi instrukcijoje:

Patikros ir/arba techninės priežiūros darbai turi būti atliekami išjungus variklį. **PASTABA!** Įjungimo/išjungimo mygtukas automatiškai grįžta į darbinę padėtį. Siekiant išvengti atsitiktinio užsivedimo, montuojant, tikrinant arba taisant mašiną nuo uždegimo žvakės visada reikia nuimti uždegimo ritę.



Visada mūvėkite pripažintas apsaugines pirštines.



Būtina nuolatinė priežiūra.



Patikrinkite vizualiai.



Turite nešioti apsauginius akinius arba šalmo apsauginį skydelį.



Kuro užpylimas.



Alyvos papildymas ir alyvos padavimo reguliavimas.



Užvedant grandininį pjūklą, grandinės stabdys turi būti įjungtas.



PERSPĖJIMAS! Atatranksos smūgis gali atsirasti, jei juostos viršūnė kliudo kojį daiktą ir sukelia reakciją, ko pasėkoje juosta metama į viršų ir atgal link naudotojo. Tai gali sunkiai sužeisti.



Turiny

SUTARTINIAI ŽENKLAI

Simboliai ant įrengino:	348
Simboliai naudojimosi instrukcijoje:	348

TURINYS

Turiny	349
--------	-----

ĮVADAS

Gerbiamas kliente!	350
--------------------------	-----

KAS YRA KAS?

Grandininio pjūklo dalys	350
--------------------------------	-----

BENDRI SAUGUMO REIKALAVIMAI

Prieš naudodami naują grandininį pjūklą	351
Svarbu	351
Visada naudokitės „blaiviu protu“	352
Asmeninės saugumo priemonės	352
Įrenginio apsauginės dalys	352
Pjovimo įranga	354

SURINKIMAS

Pjovimo juostos ir grandinės surinkimas	358
---	-----

KAIP ELGTIS SU KURU

Kuro maišymas	359
Kuro užpylimas	360
Saugumo reikalavimai kurui	360

ĮJUNGIMAS IR IŠJUNGIMAS

Įjungimas ir išjungimas	361
-------------------------------	-----

PAGRINDINIAI DARBO

Prieš kiekvieną naudojimą:	362
Bendrosios darbo instrukcijos	362
Kaip išvengti atatrankos smūgių	365

PRIEŽIŪRA

Bendri principai	366
Karbiuratoriaus reguliavimas	366
Grandininio pjūklo apsauginių dalių kontrolė, priežiūra ir taisymas	366
Duslintuvas	367
Starteris	367
Oro filtras	368
Žvakė	368
Adatinio guolio tepimas	368
Aušinimo sistema	368
Išcentrinis valymas "Air injection"	369
Eksplatacija žiemą	369
Priežiūros grafikas	370

TECHNINIAI DUOMENYS

Techniniai duomenys	371
Pjovimo juostų ir grandinių deriniai	372
Pjovimo grandinės galandimas ir galandimo šablonai. .	372
EB patvirtinimas dėl atitikimo	372

Gerbiamas kliente!

Sveikiname pasirinkus Husqvarna produktą! Husqvarna tradicijos prasideda 1689 metais, kai karalius Karlas XI ant Husqvarna upelio kranto leido pastatyti fabriką, kuriame buvo pradėtos gaminti muškietos. Ši vieta prie Husqvarna upelio buvo logiška, nes upelis buvo naudojamas hidroenergjai gaminti ir tokiu būdu tarnavo kaip hidroelektrinė. Per tą daugiau nei 300 metų Husqvarna fabriko gyvavimo epochą buvo pagaminta begalė produktų – nuo malkinių krosnių iki modernios virtuvinės įrangos, siuvimo mašinų, dviračių, motociklų ir t. t. 1956 m. rinkai buvo pristatyta pirmoji motorinė vejapjovė, o 1959 m. motorinis pjūklas – veiklos sritys, kuriose Husqvarna specializuojasi šiandien.

Husqvarna – viena iš pasaulyje pirmaujančių miško ir sodo produktų gamintojų šiuo metu, kur didžiausias prioritetas teikiamas kokybei ir darbinėms charakteristikoms. Verslo idėja – kurti, gaminti ir realizuoti modernius produktus miško ir sodo priežiūrai bei statybų ir kompleksų pramonei. Taip pat Husqvarna siekia pirmauti ergonomikos, patogumo naudotojui, saugumo ir ekologiško mąstymo srityse, todėl buvo sukurta visa eilė subtilybių siekiant tobulinti produktus šiose srityse.

Mes įsitikinę, jog Jūs ir tolimoje ateityje su pasitenkinimu vertinsite mūsų produktų kokybę bei darbinės charakteristikas. Įsigiję nors vieną mūsų produktą, Jums bus suteikta profesionali remonto ir techninio aptarnavimo pagalba, jei kas nors atsitiktų. Jei įrenginį perkote ne iš mūsų licencijuotų prekybos atstovų, pasiteiraukite jų, kur yra artimiausios techninio aptarnavimo dirbtuvės.

Mes tikimės, jog Jūs liksite patenkinti savo įrenginiu, kuris išliks Jūsų palydovu ir tolimoje ateityje. Atsiminkite, jog šios naudojimosi instrukcijos yra vertingas dokumentas. Laikydami jį turinio (naudojimas, tech. aptarnavimas, priežiūra ir t. t.), Jūs žymiai prailginsite įrenginio ilgaamžiškumą bei jo panaudojimo vertę. Jei Jūs sumanysite perduoti įrenginį, naujam savininkui neužmirškite perduoti naudojimosi instrukcijų.

Dėkojame, kad naudojate Husqvarna produktą!

Husqvarna AB pastoviai siekia tobulinti savo produktus, pasilikdama sau teisę keisti jų formą ir išvaizdą be išankstinio pranešimo.

Grandininio pjūklo dalys (1)

- 1 Cilindro dangtelis
- 2 Kuro siurblys.
- 3 Nurodymai dėl užvedimo
- 4 Kombinuotas įjungimo ir išjungimo mygtukas
- 5 Užpakalinė rankena
- 6 Informacinė ir įspėjimo lentelė
- 7 Kuro bakas
- 8 Karbiuratoriaus reguliavimo varžtai
- 9 Starterio rankenėlė
- 10 Starteris
- 11 Grandinės alyvos bakas
- 12 Produkto ir serijos numerio ženklas.
- 13 Virtimo krypties žyma
- 14 Priekinė rankena
- 15 Mechaninis saugiklis
- 16 Duslintuvas
- 17 Pjūklo grandinė
- 18 Pjovimo juostos žvaigždutė
- 19 Pjovimo juosta
- 20 Buferis
- 21 Grandinės laikiklis
- 22 Grandinės įtempimo varžtas (435 II, 440 II)
- 23 Sankabos dangtelis (435 II, 440 II)
- 24 Dešiniosios rankos apsauginis skydas
- 25 Akseleratoriaus gaidukas
- 26 Akseleratoriaus gaiduko bloktorius
- 27 Sankabos dangtelis (435e II, 440e II)
- 28 Grandinės įtempiklio ratukas
- 29 Rankenėlė
- 30 Naudojimosi instrukcijos
- 31 Universalus raktas
- 32 Pjovimo juostos apsauga

BENDRI SAUGUMO REIKALAVIMAI

Prieš naudodami naują grandininį pjūklą

- Atidžiai perskaitykite naudojimo instrukcijas.
- **(1) – (117)** yra nuorodos į iliustracijas psl. 2–6.
- Patikrinkite, ar gerai surinkta ir sureguliuota pjovimo įranga. Žr. nuorodas Surinkimas.
- Pripilkite kuro ir užveskite motorinį pjūklą. Žr. nuorodas skyreliuose „Kuras“ ir „Užvedimas ir išjungimas“.
- Nenaudokite grandininio pjūklo, kol grandinės alyva pakankamai nesuteps pjūklo grandinės. Žr. nuorodas Pjovimo įranga.
- Ilgalais triukšmo poveikis gali nesugrąžinamai pakenkti klausai. Todėl visada naudokite pripažintas apsaugines ausines.



PERSPĖJIMAS! Be gamintojo leidimo jokiū būdu negalima keisti įrenginio konstrukcijos. Visada naudokite originalias atsargines dalis. Nesuderinti konstrukcijos pakeitimai bei nepritaikytos detalės gali sukelti rimtus kūno sužalojimus ir net mirtį.



PERSPĖJIMAS! Grandininis pjūklas – pavojingas darbo įrankis ir jei neapdairiai ar neteisėtai juo naudositės, galite rimtai ir net lemtingai susižeisti. Labai svarbu, kad perskaitytumėte ir suprastumėte šias naudojimosi instrukcijas.



PERSPĖJIMAS! Duslintuvo viduje yra chemikalai, kurie gali turėti kancerogeninių medžiagų. Venkite kontakto su šiais elementais, jei duslintuvas yra pažeistas.



PERSPĖJIMAS! Ilgą laiką įkvepiant variklio išmetamąsias dujas, grandinės tepalo dūmus ir smulkias pjūvenų dalelytes, gali kilti pavojus sveikatai.



PERSPĖJIMAS! Veikimo metu šis įrenginys sukuria elektromagnetinį lauką. Susidarius tam tikroms sąlygoms, šis laukas gali sutrikdyti aktyviųjų arba pasyviųjų medicininių implantų veikimą. Siekiami sumažinti rimto arba mirtino sužalojimo riziką, mes rekomenduojame asmenims, turintiems medicininių implantų, prieš naudojant šį įrenginį pasikonsultuoti su savo gydytoju ir medicininio implanto gamintoju.



PERSPĖJIMAS! Niekada neleiskite vaikams naudoti įrenginį ar būti arti jo. Kadangi įrenginys turi spyruokliuojančią "Stop" rankenėlę ir jį galima užvesti vos patraukus starterio rankenėlę, net maži vaikai prie tam tikrų aplinkybių gali savo jėgomis užvesti įrenginį. Tai reiškia, jog išskyla pavojus sunkiai sužeisti. Todėl nuimkite žvakės antgalį, kai įrenginys lieka be priežiūros.

Svarbu

SVARBU!

Šis grandininis pjūklas skirtas tokiems miško darbams kaip medžių pjovimas, genėjimas ir pjaustymas.

Nacionaliniai įstatymai gali apriboti šio įrenginio naudojimą.

Jums reikėtų naudoti tik rekomenduojamą juostos / pjūklo grandinės derinį. Žr. skyrelį „Techniniai duomenys“.

Niekada nedirbkite įrenginiu, jei esate pavargęs, išgėręs alkoholio ar vartojate medikamentus, kurie gali veikti Jūsų regėjimą, nuovoką ar Jūsų kūno kontrolę.

Naudokite asmenines saugumo priemones. Žr. nuorodas Asmeninės saugumo priemonės.

Niekada nebandykite šio įrenginio modifikuoti, kad jis nebeatiktų originalios konstrukcijos, ir nenaudokite, jei jį modifikavo kiti.

Niekada nenaudokite techniškai netvarkingo įrenginio. Reguliariai tikrinkite įrenginį, atlikite testus ir priežiūros darbus, nurodytus šioje instrukcijoje. Kai kurias priežiūros operacijas ir aptarnavimo darbus gali atlikti tik tam paruošti kvalifikuoti specialistai. Žiūrėkite nurodymus, pateikiamus skyriuje Priežiūra“.

Niekada nenaudokite jokių šioje instrukcijoje neminimų priedų. Žr. nuorodas Pjovimo įranga ir Techniniai duomenys.

PASTABA! Visada naudokite apsauginius akinius ar antveidį, kad sumažėtų pavojus susižeisti nuo lekiančių dalelių. Motorinis pjūklas didele jėga gali pakelti tokius daiktus, kaip pjūvenas, mažus medienos gabaliukus ir pan. Tai gali rimtai sužeisti, ypač akis.



PERSPĖJIMAS! Varikliui dirbant uždaroje arba blogai vėdinamoje patalpoje, žmogus gali uždusti arba apsinuodyti anglies monoksidu.



PERSPĖJIMAS! Netinkama pjovimo įranga ar netinkamas juostos / pjovimo grandinės derinys didina atitranskos smūgio pavojų! Naudokite tik rekomenduojamus juostos / pjovimo grandinės derinius bei laikykitės galandimo instrukcijos. Žr. nuorodas skyrelyje „Techniniai duomenys“.

BENDRI SAUGUMO REIKALAVIMAI

Visada naudokitės „blaiviu protu“ (2)

Naudojant motorinį pjūklą, neįmanoma numatyti visų įmanomų situacijų, kurios gali iškilti. Visada būkite atsargūs ir naudokitės „blaiviu protu“. Nesistenkite atlikti darbo, kuriam nesate pakankamai kvalifikuotas. Jei Jūs, perskaite šias instrukcijas, vis tiek abejojate dėl naudojimo būdo, prieš tęsdami darbą pasikonsultuokite su ekspertu. Nedvejokite ir susisiekiate su prekybos atstovu arba mumis, jei išliko klausimų dėl motorinio pjūklo naudojimo. Mes su malonumu patarsime, kaip reikia geriau ir saugiau naudoti motorinį pjūklą. Užsirašykite į motorinio pjūklo naudojimo mokymo kursus. Jūsų prekybos atstovas, miškininkystės mokykla ar biblioteka Jums suteiks informacijos apie mokymosi medžiagą bei organizuojamus mokymo kursus. Mes nuolat geriname dizainą ir techniką, kad padidėtų Jūsų saugumas ir našumas. Reguliariai lankykitės pas savo prekybos atstovą, kad pamatytumėte, kokios naudos Jums duos naujienos.

Asmeninės saugumo priemonės



PERSPĖJIMAS! Dauguma nelaimingų atsitikimų susijusių su grandininio pjūklu, įvyksta, kai grandinė kliudo naudotoją. Naudodami įrenginį, visada dėvėkite atitinkamų tarnybų pripažintas asmenines saugumo priemones. Asmeninės saugumo priemonės nepašalina rizikos susižeisti, tačiau nelaimingo atsitikimo atveju mažiau nukentėsite. Paprašykite pardavėjo išrinkti Jums tinkamiausias priemones.

- Pripažintą apsauginį šalną
- Apsauginės ausinės
- Apsauginiai akiniai arba apsauginis šalmas skydelis
- Apsauginės pjovimo pirštinės
- Kelnės su apsauga nuo pjūklo.
- Pjovimo batai plieniniu priekiu ir rantytu padu
- Netoliese visada turėkite pirmosios pagalbos vaistinėlę.
- Gesin tuvas ir kastuvas

Apranga neturi varžyti judesių ir negali būti per didelė.

SVARBU! Kibirkštys gali kilti iš duslintuvo, nuo juostos, grandinės arba kito šaltinio. Visada turėkite gaisro gesinimui skirtas priemones prieinamoje vietoje, jei kartais reikėtų jas panaudoti. Tokiu būdu Jūs apsaugosite miškus nuo gaisrų.

Įrenginio apsauginės dalys

Šiame skyrelyje pateikiama informacija apie apsaugos detales bei jų funkcijas. Dėl patikros ir priežiūros žr. nuorodas skyrelyje „Motorinio pjūklo apsauginių dalių patikra ir techninė priežiūra“. Žr. nuorodas skyrelyje „Sudedamosios dalys“, kad galėtumėte matyti, kokioje vietoje tos dalys yra Jūsų įrenginyje.

Įrenginio tarnavimo laikas gali sutrumpėti, o nelaimingų atsitikimų pavojus gali padidėti, jei įrenginys nebus tinkamai prižiūrimas, o aptarnavimas ir/arba remonto darbai nebus

atliekami profesionaliai. Jei Jums reikia papildomos informacijos, kreipkitės į artimiausias aptarnavimo dirbtuves.



PERSPĖJIMAS! Niekada nenaudokite įrenginio, kurio apsauginės dalys yra pažeistos. Apsauginės dalys turi būti tikrinamos ir prižiūrimos. Žr. nuorodas skyrelyje „Motorinio pjūklo apsauginių dalių patikra ir techninė priežiūra“. Jei Jūsų įrenginys nepraeina visų patikrų, būtina kreiptis į techninės priežiūros dirbtuves.

Grandinės stabdis ir mechaninio saugiklio svertas

Jūsų motorinis pjūklas turi grandinės stabdį, kuris sukonstruotas taip, kad esant atatranks smūgiui, pjūklo grandinė sustotų. Grandinės stabdis sumažina nelaimingų atsitikimų pavojų, tačiau tik naudotojas gali jų išvengti. (3)

Prieš pradėdami pjauti, visada įsitikinkite, ar galimoje atatranks zonoje nėra jokio pašalinio objekto. (4)

- Grandinės stabdys (A) įjungiamas mechaniškai (kaire ranka) arba inerciniu stabdžiu. (5)
- Stabdis įsijungia į priekį pastūmus mechaninio saugiklio svertą (B). (5)
- Svertui pajudėjus į priekį, įsijungia spyruklinis mechanizmas, kuris įtempia stabdžio juostą (C) apie grandinės varymo sistemos (D) (sankabos būgnelio). (6)
- Mechaninis saugiklis skirtas ne tik grandinės stabdžiui įjungti. Jei jums netyčia išsprūs priekinė rankena, jis apsaugos jūsų kairę ranką nuo grandinės smūgio.
- Užvedant motorinį pjūklą, grandinės stabdys turi būti įjungtas, kad grandinė nesisuktų. (55)
- Užvedant bei persikeliant iš vienos vietos į kitą, grandinės stabdį naudokite kaip „stovėjimo stabdį“ tam, kad išvengtumėte nelaimių, jei netyčia prie pjūklo prisliestų naudotojas ar kiti daiktai, esantys aplinkoje. Nepalikite motorinio pjūklo įpjovoje su įjungtu grandinės stabdžiu ilgą laiką. Motorinis pjūklas gali labai įkaisti.
- Grandinės stabdis atleidžiamas pastumiant priekinę ranką apaugą, pažymėtą „PATRAUKITE ATGAL, KAD PERKRAUTUMĖTE“ atgal link priekinės rankenos.
- Atatranks jėga gali būti labai netikėta ir stipri. Dauguma atatranks smūgių būna nestiprūs ir todėl grandinės stabdis ne visada įsijungia. Jei taip atsitiktų, stenkitės tvirtai laikyti grandininį pjūklą ir jo nepaleisti.
- Koku būdu suveiks grandinės stabdis – ar paspaudus jį ranka, ar automatiškai – priklauso nuo atatranks jėgos bei grandininio pjūklo ir objekto, sąlygojusio atatranką, sąlyginės padėties.

Esant stipriems atatranks smūgiams ir kai juostos atatranks smūgio pavojaus zona yra nutolusi nuo naudotojo, grandinės stabdžio konstrukcija yra tokia, jog jis įjungiamas per grandinės stabdžio atsvarą (inercija) atatranks smūgio kryptimi. (7)

BENDRI SAUGUMO REIKALAVIMAI

Prie nestiprių atatranks smūgių ar kitų darbinių situacijų, kai atatranks zona yra arti naudotojo, grandinės stabdis bus įjungtas rankiniu būdu jūsų kairės rankos judesiu.

- Leidžiant medžius kairė ranka yra tokioje padėtyje, jog grandinės stabdžio neįmanoma mechanškai įjungti. Taip sugriebus, t. y., kai kairės rankos padėtis yra tokia, kad ji negali įtakoti atatranks smūgio apsaugos judesiu, grandinės stabdis gali būti įjungiamas tik inercijos stabdžio funkcija. (8)

Ar esant atatranks smūgiui, mano ranka visada įjungia grandinės stabdį?

Ne. Reikia tam tikros jėgos norint pastūmėti atatranks smūgio apsaugą. Jei Jūs tik lengvai prisiliesite ranka prie atatranks smūgio apsaugos, gali tos jėgos neužtekti, kad įsijungtų grandinės stabdis. Dirbdami motorinio pjūklą rankeną laikykite stipriai. Jei taip darote ir esant atatranks smūgiui, galbūt Jūs niekada nepaleisite priekinės rankenos ir neįjungsite grandinės stabdžio, arba grandinės stabdis įsijungs tada, kai pjūklas sūspės kažkiek pasisukti. Tokiomis situacijomis gali atsitikti taip, jog grandinės stabdis nespės sustabdyti grandinės prieš jai paliečiant Jus.

Kai kuriose darbinėse pozicijose Jūsų ranka negali pasiekti atatranks smūgio apsaugos, kad būtų įjungtas grandinės stabdis, pvz., kai pjūklas laikomas medžio leidimo padėtyje.

Ar inercinį stabdį visada įjungia grandinės stabdis esant atatranks smūgiui?

Ne. Pirmiausia turi veikti stabdžiai. Patikrinti stabdį nėra sunku, žr. nuorodas skyrelyje „Motorinio pjūklų apsauginių dalių patikra ir techninė priežiūra“. Mes rekomenduojame tai daryti kiekvieną kartą prieš pradėdami dirbti. Antra, atatranks smūgis turi būti pakankamai stiprus, kad aktyvuotųsi grandinės stabdis. Jei grandinės stabdis būtų per jautrus, jis nuolat įsijungtų, o tai labai trukdytų darbu.

Ar grandinės stabdis visada apsaugos nuo sužalojimų esant atatranks smūgiui?

Ne. Pirmiausia turi veikti stabdžiai norint, kad funkcionuotų numatyta apsauga. Antra, jis turi įsijungti taip, kaip buvo minėta anksčiau, kad esant atatranks smūgiui, pjūklą grandinė būtų sustabdyta. Trečia, grandinės stabdis gali įjungti, tačiau jei juosta yra per arti Jūsų, gali atsitikti taip, jog stabdis nespės sulėtėti ir sustabdyti grandinės prieš jai paliečiant Jus.

Tik Jūs pats ir tinkama darbo technika gali padėti išvengti atatranks smūgio bei jo pavojų.

Akseleratoriaus gaiduko blokatoriaus

Akseleratoriaus užrakto konstrukcija yra tokia, kad netyčia nebūtų galima įsijungti akseleratoriaus gaiduko. Kai užraktas (A) yra įspaudžiamas į rankeną (kai laikoma rankena), atjungiamas akseleratoriaus gaidukas (B). Kai atleidžiama rankena, akseleratoriaus gaidukas ir akseleratoriaus užraktas sugrižta į savo pradinę padėtį. Ši padėtis reiškia, jog akseleratorius automatiškai užsiblokuoja esant laisvajai pavarai. (9)

Grandinės laikiklis

Grandinės laikiklis skirtas pagauti grandinę, jei ji kartais nukristų. Tai neturėtų atsitikti, jei grandinė yra gerai įtempta (žr. nuorodas Surinkimas) ir jei pjovimo juosta ir grandinė yra tinkamai prižiūrimi (žr. nuorodas Bendros darbo instrukcijos). (10)

Dešiniosios rankos apsauginis skydas

Dešiniosios rankos apsauginis skydas ne tik saugo jūsų ranką nuo atšokusios ar nukritusios grandinės, bet ir kliudo šakoms patekti prie užpakalinės rankenos. (11)

Antivibracinė sistema

Jūsų įrenginys turi antivibracinę sistemą, kuri iki minimumo sumažina vibraciją ir leidžia sėkmingiau dirbti.

Antivibracinė sistema sumažina vibraciją, kuri iš variklio ir grandinės persiduoda į įrenginio rankenas. Grandininio pjūklų korpusą, tame tarpe ir pjaunančius paviršius, nuo rankenų skiria vibraciją slopinančios detalės.

Kietų medžių (dažniausiai lapuočių) pjovimas sukelia stipresnę vibraciją negu minkštų (dažniausiai spygliuočių). Jei dirbsite atšūpisia ar pažeista (pasirinktas neteisingas tipas ar blogai pagალšta) grandine, vibracija dar labiau sustiprės



PERSPĖJIMAS! Besikartojančios vibracijos žmonėms su sutrikusia kraujotaka gali sukelti kraujagyslių sutrikimus bei pažeisti nervus. Kreipkitės į gydytoją, jei Jūs jaučiate simptomus, kurie, Jūsų manymu, galėjo atsirasti dėl besikartojančių vibracijų. Šių simptomų pavyzdžiai yra šie: kūno tirpimas, sutrikęs jautrumas, persėjimas, skausmas, jėgos nebuvimas arba sumažėjusi jėga, odos ar jos ploto spalvos pokyčiai. Šie simptomai dažniausiai pasireiškia pirštuose, plaštakose ir rankų sąnariuose. Šie požymiai gali labiau paūmėti esant žemai temperatūrai.

Stop mygtukas

Stop mygtuką paspauskite, kai norite išjungti variklį. (12)

Duslintuvas

Duslintuvas iki minimumo sumažina garso lygį ir tolyn nuo naudotojo nukreipia variklio išmetamąsias dujas.



PERSPĖJIMAS! Variklio išmetamosios dujos yra karštos, jos gali kibirkščiuoti ir sukelti gaisrą. Todėl niekada neužveskite įrenginio uždarose patalpose ar netoliese degių medžiagų!

Šiltų ir sausų klimatinėjų sąlygų zonoje gaisro pavojus gali būti didesnis. T tokiose zonoje darbą reglamentuoja įstatymai bei reikalavimai, taip pat ir duslintuvui, kuris turi būti su pripažintu kibirkščių sulaukymo tinkleliu. (13)

BENDRI SAUGUMO REIKALAVIMAI

Tvirtindami filtrą, įsitikinkite, kad jis tinkamai įdėtas. Jei reikia, filtro įdėjimui ir išėmimui naudokite universalų raktą.

PASTABA! Duslintuvus labai įkaista tiek naudojant, tiek ir sustojus. Tai galioja net varikliui sukantis laisva eiga. Atsižvelkite į užsiliepsnojimo pavojų, ypač dirbdami šalia degiųjų medžiagų ir / arba dujų.



PERSPĖJIMAS! Niekada nenaudokite motorinio pjūklo be duslintuvo arba su netvarkingu duslintuvu. Deformuotas duslintuvas gali žymiai padidinti garsą ir gaisro pavojų. Gaisro gesinimo priemonės turi būti prieinamos. Niekada nenaudokite motorinio pjūklo be kibirkščių sulaikymo tinkelio arba su deformuotu tinkleliu, jei kibirkščių sulaikymo tinkelis yra būtinas Jūsų darbo vietoje.

Atatranks smūgius mažinanti pjovimo įranga.



PERSPĖJIMAS! Netinkama pjovimo įranga ar netinkamas juostos / pjovimo grandinės derinys didina atatranks smūgio pavojų! Naudokite tik rekomenduojamas juostas / pjovimo grandinės derinius bei laikykitės galandimo instrukcijos. Žr. nuorodas skyrelyje „Techniniai duomenys“.

Vienintelis būdas išvengti atatranks smūgių – nuolat prižiūrėti, kad juostos atatranks zonoje nebūtų jokių pašalinių daiktų.

Atatranks smūgių jėgą galite sumažinti, naudodami pjovimo įrangą su specialiai sukonstruotais atatranks mažinančiais elementais, nuolat galąsdami ir prižiūradami grandinę.

Juosta

Kuo mažesnis juostos priekio spindulys, tuo mažesnis atatranks smūgio pavojus.

Pjūklo grandinė

Pjūklo grandinė padaryta iš daugelio grandžių, kurios būna standartinės ir specialiosios, mažinančios atatranks smūgių pavojų.

SVARBU! Ne viena pjūklo grandinė nepanaikina atatranks smūgio pavojaus.



PERSPĖJIMAS! Kiekvienas kontaktas su besisukančia grandine gali labai rimtai sužeisti.

Kai kurie terminai, naudojami pjovimo juostai ir grandinei apibūdinti

Norint išlaikyti visas pjovimo įrangos apsaugos detales, reikėtų susidėvėjusią ir pažeistą juostą / grandinę pakeisti į „Husqvarna“ rekomenduojamą juostą ir grandinę. Žr. nuorodas skyrelyje „Techniniai duomenys“, norėdami sužinoti apie rekomenduojamus juostos / grandinės derinius.

Juosta

- Ilgis (coliai/cm)
- Juostos žvaigždutės dantų skaičius (T).
- Grandinės žingsnis (=pitch) (coliais). Grandinės varančiųjų grandžių žingsnis turi atitikti juostos ir varmosios žvaigždutės žingsnį. **(14)**
- Varančiųjų grandžių skaičius (vnt). Šį skaičių apsprendžia juostos ilgis, grandinės žingsnis ir juostos žvaigždutės dantų skaičius.
- Juostos griovelio plotis (coliais, mm). Juostos griovelio plotis turi atitikti grandinės varančiųjų grandžių storį.
- Pjūklo grandinės tepimo skylės ir skylės grandinės įtempimui. Juostos dizainas turi atitikti grandininio pjūklo konstrukciją. **(15)**

Pjovimo įranga

Šiame skyrelyje rašoma, kaip pasirinkti ir prižiūrėti pjovimo įrangą, jei norite:

- Sumažinti įrenginio atatranks pavojų.
- Rečiau nukrinta ir nutrūksta pjūklo grandinė.
- Pasiekiamos optimalios pjovimo charakteristikos.
- Prailginti pjovimo įrangos tarnavimo laiką.
- Venkite didėjančių vibracijų.

Esminės taisyklės

- **Naudokite tik mūsų rekomenduojamą pjovimo įrangą!** Žr. nuorodas skyrelyje „Techniniai duomenys“.
- **Grandinės pjaunantys dantys visada turi būti gerai pagalasti!** Laikykitės mūsų instrukcijų ir naudokite rekomenduojamą šablona. Sugadinta ar blogai pagalasta grandinė padidina nelaimingų atsitikimų riziką.
- **Naudokite tinkamą ribotuva!** Laikykitės mūsų instrukcijų ir naudokite rekomenduojamą ribotuvo šablona. Per didelis ribotuvas padidina atatranks smūgio pavojų.
- **Grandinė turi būti gerai įtempta!** Nepakankamai įtempta grandinė greitai gali nušokti, greičiau dėvėti pjovimo juosta, grandinė ir varomoji žvaigždutė.
- **Pjovimo įranga turi būti kruopščiai išvalyta ir sutepta!** Nepakankamai sutepta grandinė greičiau trūksta, greičiau dėvėti pjovimo juosta, grandinė ir varomoji žvaigždutė.

BENDRI SAUGUMO REIKALAVIMAI

Pjūklo grandinė

- Pjūklo grandinės žingsnis (=pitch) (coliai) (14)
- Varančiosios grandies storis (mm/coliai) (16)
- Varančiųjų grandžių skaičius (vnt) (17)

Pjūklo grandinės ribotuvo galandimas ir reguliavimas.

Bendra informacija apie pjaunančiųjų dantų galandymą

- Niekada nepajaukite su atšipusia pjūklo grandine. Atšipusios pjūklo grandinės požymis yra tai, kad pjaudami medį, Jūs turite spauti pjovimo įrangą, o medžio pjūvenos yra mažos. Labai atšipusi pjūklo grandinė nepalieka jokių medžio drožlių, tik medžio dulkes.
- Gerai pagaląsta pjūklo grandinė lengvai lenda į medį, atsiranda didelių ir ilgų pjūvenų.
- Pjaunančioji pjūklo grandinės dalis vadinasi pjaunantysis narelis, kurį sudaro pjaunantysis dantis (A) ir gylio reguliavimo ritinėlis (B). Atstumas tarp jų nustato pjūvio gyli. (18)

Galandant pjaunantįjį dantį, reikia atkreipti dėmesį į keturis matmenis.

- 1 Galandymo kampo (19)
- 2 Pjovimo kampo (20)
- 3 Dildės padėties (21)
- 4 Apskritos dildės storis

Be pagalbinių priemonių labai sunku tinkamai pagaląsti pjūklo grandinę. Todėl rekomenduojame naudoti mūsų galandimo šablona. Jis garantuoja, jog pjūklo grandinė bus pagaląsta taip, kad optimaliai būtų sumažintas atitransmis smūgio pavojus ir pasiektas pjovimo našumas. (22)

Žr. nuorodas skyrelyje „Techniniai duomenys“ dėl informacijos apie motorinio pjūklo galandimo duomenis.



PERSPĖJIMAS! Galandimo instrukcijų nesilaikymas žymiai padidina pjūklo grandinės atitransmis smūgio pavojų.

Pjaunančiųjų dantų galandymas



Galandant pjaunantįjį dantį, reikia apvalios dildės ir galandimo šablono. Žr. nuorodas skyrelyje „Techniniai duomenys“ dėl informacijos apie Jūsų motorinio pjūklo grandinei rekomenduojamą apskritos dildės skersmenį bei galandimo šablona.

- Patikrinkite, ar grandinė gerai įtempta. Laisvą grandinę sunku gerai pagaląsti.
- Grandinės pjaunančius dantis visada galąskite iš vidinės pusės, traukdami dildę atgal, silpniau ją spauskite. Pirmiausiai visus dantis išgaląskite iš vienos pusės, po to apšukite grandininį pjūklą ir pagaląskite kitą pusę.

- Visus dantis stenkitės galąsti vienodai. Kai pjaunančiųjų dantų ilgis sumažėja iki 4 mm (5/32"), grandinė laikoma susidėvėjusia ir turi būti pakeista. (23)

Bendra informacija apie ribotuvo reguliavimą

- Galandant pjaunantįjį dantį mažėja ribotuvo (pjūvio) gylio. Norint išlaikyti maksimalų pjovimo našumą, gylio reguliavimo ritinėlis turi būti nuleistas iki rekomenduojamo lygio. Žr. nuorodas skyrelyje „Techniniai duomenys“ dėl informacijos apie Jūsų motorinio pjūklo grandinės ribotuvo dydį. (24)



PERSPĖJIMAS! Per didelis ribotuvo padidina pjūklo grandinės atitransmis smūgio pavojų!

Ribotuvo reguliavimas



- Reguluojant ribotuvą, pjaunantieji dantys turi būti naujai pagaląsti. Mes rekomenduojame reguliuoti ribotuvą po kas trečio pjūklo grandinės galandimo. DĖMESIO! Ši rekomendacija aktuali, jei pjaunančiųjų dantų ilgis nėra per daug mažas.
- Ribotuvui reguliuoti reikalinga plokščia dildė ir ribotuvo šablona. Mes rekomenduojame ribotuvui naudoti mūsų galandimo šablona tam, kad būtų pasiektas tinkamas ribotuvo matmuo ir tinkamas gylio reguliavimo ritinėlio kampas.
- Galandimo šablona padėkite ant pjūklo grandinės. Informaciją apie galandimo šablono naudojimą rasite ant pakuotės. Naudokite plokščią dildę likučiams šalinti nuo gylio reguliavimo ritinėlio viršutinės dalies. Ribotuvo yra tinkamas, kai dilde traukiant per šablona, nesijaučia jokia pasipriešinimo. (25)

Grandinės įtempimas



PERSPĖJIMAS! Atsipaaidavusi grandinė gali lengvai nukristi ir sunkiai ar net lemtingai sužeisti.

Kuo ilgiau naudosite grandinę, tuo labiau ji ilgės. Todėl būtina nuolat patempti atsipaaidavusią grandinę.

Patikrinkite grandinės įtempimą kiekvieną kartą, kai užpilate degalus. PASTABA! Kol grandinė nauja, ji turi prisitamptyti, todėl naudojimo pradžioje įtempimą tikrinkite dar dažniau.

Įtempkite grandinę kiek galite stipriau, kol galėsite pasukti ją rankomis aplink juostą. (26)

BENDRI SAUGUMO REIKALAVIMAI

435 II, 440 II



- Atlaisvinkite juostos veržlę, kuria priveržtas jungiamosios movos gaubtas/grandinės stabdys. Naudokite kombinuotąjį raktą. Paskui juostos veržlę užveržkite ranka kiek įmanoma stipriau. **(27)**
- Juostą su grandine pakelkite į viršų ir įtempkite grandinę raktu sukdami jos įtempimo varžtą. Tempkite grandinę tol, kol ji standžiai priglus prie apatinės juostos briaunos. **(28)**
- Laikydami juostos priekį universaliu raktu priveržkite juostos veržlę. Grandinė bus gerai įtempta tuomet, kai galėsitę ją rankomis laisvai sukti aplink juostą ir ji bus prigludusi prie apatinės juostos briaunos **(29)**

Skirtinguose mūsų motorinių pjūklų modeliuose pjūklo grandinės tempimo varžtas yra skirtingose vietose. Žr. nuorodas skyrelyje „Sudedamosios dalys“ dėl informacijos, kur jis yra Jūsų modelyje.

435e II, 440e II



- Rankenėlę atpalaiduokite ją atlenkdami. **(30)**
- Sukdami rankenėlę prieš laikrodžio rodyklę atpalaiduokite juostos dangtį. **(31)**
- Sureguliuokite grandinės įtempį: ratuką sukite į apačią (+), norėdami įtempti labiau, arba į viršų (-), norėdami sumažinti įtempį. **(32)**
- Juostos sankabą įveržkite sukdami rankenėlę pagal laikrodžio rodyklę. **(33)**
- Vėl užlenkite rankenėlę ir šitaip užfiksuokite įtempį. **(34)**

Pjovimo įrangos tepimas



PERSPĖJIMAS! Dėl blogo pjovimo įrangos tepimo grandinė gali trūkti ir sunkiai ar net lemtingai sužeisti.

Pjūklo grandinės alyva

Grandinės alyva turi gerai prilipti prie pjovimo grandinės ir taip pat turi būti pakankamai skysta, nesvarbu ar lauke yra šilta vasara, ar šalta žiema.

Mes, grandinių pjūklų gamintojai, esame sukūrę optimalią alyvą pjovimo grandinėms, kurios pagrindą sudaro augaliniai riebalai, todėl ji yra biologiškai suskaidoma. Rekomenduojame naudoti mūsų alyvą, jei norite maksimaliai prailginti pjovimo grandinės ek. Jei negalite įsigyti mūsų rekomenduojamos alyvos, naudokite įprastinę grandinėms skirtą alyvą.

Niekada nenaudokite atidirbusios alyvos! Jis kenkia tiek Jums, tiek įrenginiui ir aplinkai.

SVARBU! Naudodami augalinės kilmės grandinių alyvą, išmontuokite ir nuvalykite juostos griovelį prieš padėdami ilgalaikiam laikymui. Kitu atveju kyla pavojus, jog pjūklo grandinės alyva oksiduosis, todėl pjūklo grandinė gali sustangrėti, o juostos žvaigždutė pradės strigti.

Tepimo alyvos užpylimas

- Visi mūsų gaminami grandininiai pjūklai turi automatinę grandinės tepimo sistemą. Kai kuriuose modeliuose galima netgi reguliuoti tepimą.

- Pjūklo alyvos bakelio ir kuro bakelio dydžiai yra tokie, jog kuras pasibaigia greičiau nei pjūklo alyva.

Tačiau šios saugumo funkcijos sudaro prielaidą, jog bus naudojama tinakama pjūklo alyva (per skysta alyva pasibaigia greičiau nei kuras), laikomasi mūsų rekomendacijų dėl karbiuratoriaus suregulavimo (per „liesas“ nustatymas užtikrina, kad kuro užtenka ilgiau nei pjūklo alyvos) bei laikomasi mūsų rekomendacijų dėl pjovimo įrangos (per ilgai juostai reikia daugiau grandininės alyvos).

Grandinės tepimo tikrinimas

- Patikrinkite grandinės tepimą kiekvieną kartą, kai pripilate degalų į baką.

Pjūklo juostos viršūnę nukreipkite į šviesų paviršių, nutolusį nuo jos apie 20 cm (8 coliai). Po minutės darbo 3/4 greičiu ant šviesaus paviršiaus turite aiškiai matyti alyvos paliktą liniją.

Jei grandinės tepimo sistema neveikia:

- Patikrinkite, ar neužsikimšęs tepalo kanalas pjūklo juostoje. Jei reikia, išvalykite. **(35)**
- Patikrinkite, ar švarus pjūklo juostos briaunoje esantis griovelis. Jei ne – išvalykite. **(36)**
- Patikrinkite, ar laisvai sukasi juostos gale esanti žvaigždutė, ir ar neužsikimšusi juostos gale esanti alyvos skylė. Jei reikia, išvalykite ir sutepkite. **(37)**

Jei grandinės tepimo sistema neveikia ir po to, kai emėtės visų aukščiau išvardintų priemonių, kreipkitės į jus aptarnaujančias remonto dirbtuves.

Grandinės varomoji žvaigždutė



Sankabos būgnelis gali būti dviejų tipų:

- A Spur žvaigždutė (krumpliaratis privirintas prie būgnelio)
- B Rim žvaigždutė (keičiama) **(38)**

Nuolat tikrinkite šių grandinę sukančių žvaigždučių nusidėvėjimą. Pakeiskite jas, jei jos yra nusidėvėjusios. Kai keisite grandinę, visada pakeiskite ir ją varančiąją žvaigždutę.

BENDRI SAUGUMO REIKALAVIMAI

Adatinio guolio tepimas



Abu grandinės pagrindinių žvaigždūčių tipai turi adatinį guolį galinėje ašyje, juos būtina reguliariai tepti (1 kartą per savaitę). PASTABA! Naudokite aukštos kokybės tepalą guoliams arba variklių alyvą.

Žr. nuorodas skyrelyje „Priežiūra, Adatinio guolio tepimas“.

Pjovimo įrangos nusidėvėjimo tikrinimas



Kiekvieną dieną apžiūrėkite grandinę ir įsitikinkite, ar:

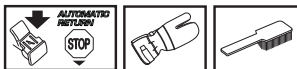
- nėra įtrūkusios jos kniedės ir nareliai.
- ji yra standi.
- nėra susidėvėjusios kniedės ir grandys.

Išbrokuokite pjūklą grandinė, kuriai būdingas vienas ar keli anksčiau pateikti punktai.

Patariame palyginti naudojamą grandinę su nauja, kas palengvins nustatyti, kiek grandinė yra nusidėvėjusi.

Visus dantis stenkitės galąsti vienodai. Kai pjaunančių dantų ilgis sumažėja iki 4 mm (5/32"), grandinė laikoma susidėvėjusia ir turi būti pakeista. **(23)**

Juosta



Nuolat tikrinkite:

- Ar ant juostos briaunų nėra užvartų. Jei pastebėsite nelygumus, pašalinkite juos dilde.
- Jei labai nusidėvėjo juostos griovelis. Pakeiskite pjovimo juosta.
- Jei išlinkusi ir nusidėvėjusi juostos viršūnė. Jei vienoje juostos pusėje pastebėsite susidariusį įdubimą, žinokite, kad tai dažniausiai atsitinka dėl blogai įtemptos grandinės.
- Maksimalios eksploataavimo trukmės sumetimais juosta reikia reguliariai apsukti.



PERSPĖJIMAS! Dauguma nelaimingų atsitikimų susijusių su grandininio pjūklų, įvyksta, kai grandinė kliudo naudotoją.

Naudokite asmenines saugumo priemones. Žr. nuorodas Asmeninės saugumo priemonės.

Nedirbkite darbo, kurio nemokate ar nepasitikite savimi. Žr. nuorodas Asmeninės saugumo priemonės, Kaip išvengti atatrakos smūgių, Pjovimo įranga ir Bendrosios darbo instrukcijos.

Venkite situacijų, kuriose kyla atatrakos rizika. Žr. nuorodas Įrenginio apsauginės dalys.

Naudokite rekomenduojamą pjovimo įrangą ir tikrinkite jos būklę. Žr. nuorodas Bendrosios darbo instrukcijos.

Patikrinkite, ar gerai veikia grandininio pjūklų saugumą užtikrinančios funkcijos. Žr. nuorodas Bendrosios darbo instrukcijos ir Bendri saugumo reikalavimai.

Pjovimo juostos ir grandinės surinkimas



PERSPĖJIMAS! Dirbdami su grandine, visada mūvėkite pirštines.

435 II, 440 II

- **Stumtelėdami grandinės apsaugos svirtį priekinės rankenos link, įsitikinkite, ar yra išjungtas grandinės stabdis. (39)**
- Atsukite pjovimo juostos veržles ir nuimkite sankabos dangtį (grandinės stabdį). Nuimkite vedantįjį žiedą (A). **(40)**
- Juosta pritvirtinkite varžtu. Juosta atitraukite į galinę padėtį. Grandinę padėkite ant pagrindinės žvaigždutės ir įstatykite į juostos griovelį. Pradėkite nuo juostos viršutinės pusės. **(41)**
- Patikrinkite, ar pjaunančiųjų grandžių briaunos viršutinėje juostos pusėje yra nukreiptos į priekį.
- Uždėkite sankabos būgnelio dangtį, o į skylutę juostoje nepamiškite įstatyti grandinės reguliavimo kaiščio. Patikrinkite, kad grandinės varančiosios grandys būtų teisingai uždėtos ant varančiosios žvaigždutės, ir kad grandinė gulėtų pjovimo juostos griovelyje. Pirštais priveržkite juostinę veržlę.
- Universaliu raktu įtempkite grandinę ir grandinės reguliavimo varžtą sukite pagal laikrodžio rodyklę. Grandinę tempkite tol, kol ji standžiai priglus prie pjovimo juostos apačios. **(42)**
- Grandinė yra teisingai įtempta tuomet, kai ji yra standžiai prigludusi prie apatinės pjovimo juostos briaunos, tačiau jūs ją galite nesunkiai pasukti rankomis. Prilaikydami juostos viršūnę, universaliu raktu priveržkite juostos veržlę. **(43)**
- Jei naudojate naują grandinę, kuo dažniau tikrinkite grandinės įtempimą, kol ši prasitampys. Tai darykite reguliariai. Teisingai įtempta grandinė gerai pjauna ir ilgai tarnauja. **(44)**

435e II, 440e II

- **Stumtelėdami grandinės apsaugos svirtį priekinės rankenos link, įsitikinkite, ar yra išjungtas grandinės stabdis. (45)**
- Atlaisvinkite grandinės tempiklio ratuką ir nuimkite jungiamosios movos gaubtą (grandinės stabdį). Nuimkite apsauginį dėklą. (A) **(46)**
- Pjovimo juosta uždėkite ant jai pritvirtinti skirtų varžtų. Patraukite pjovimo juosta atgal kiek tai leidžia jos išpjova. Uždėkite grandinę ant vedančiosios žvaigždutės ir įstatykite ją į griovelį juostoje. Pradėkite nuo pjovimo juostos viršutinės pusės. **(41)**

- Patikrinkite, ar pjaunančiųjų grandžių briaunos viršutinėje juostos pusėje yra nukreiptos į priekį.
- Uždėkite sankabos būgnelio dangtį, o į skylutę juostoje nepamiškite įstatyti grandinės reguliavimo kaiščio. Patikrinkite, kad grandinės varančiosios grandys būtų teisingai uždėtos ant varančiosios žvaigždutės, ir kad grandinė gulėtų pjovimo juostos griovelyje.
- Grandinę įtempkite sukdami ratuką į apačią (+). Grandinę reikia tempti tol, kol ji nebus nukarusi pro juostos apačią. **(32)**
- Grandinė būna tinkamai įtempta tuomet, kai ji nekaro pro juostos apačią, tačiau ją galima lengvai prasukti ranka. Prilaikykite juostos smaigalį ir priveržkite juostos sankabą, sukdami rankenėlę pagal laikrodžio rodyklę. **(33)**
- Jei naudojate naują grandinę, kuo dažniau tikrinkite grandinės įtempimą, kol ši prasitampys. Tai darykite reguliariai. Teisingai įtempta grandinė gerai pjauna ir ilgai tarnauja. **(44)**

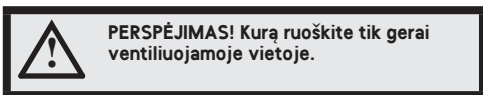
Buferio montavimas

Dėl buferio montavimo kreipkitės į artimiausias remonto dirbtuves. **(47)**

KAIP ELGTIS SU KURU

Kuro maišymas

Pasižymėkite! Įrenginys turi dvitaktį variklį, ir jam visada reikia naudoti benzino ir dvitaktčių variklių alyvos mišinį. Labai svarbu tiksliai atmatuoti naudojamos alyvos tūrį, kad gautumėte tinkamos konsistencijos mišinį. Jei ruošiate nedidelį degalų kiekį, net ir maži alyvos kiekio netikslumai gali stipriai įtakoti mišinio proporcijas.



Benzinas



- Naudokite bešvinį ar geros kokybės su švinu benzina.
- Žemiausias rekomenduojamas oktanų skaičius yra 90 (RON). Jei naudosite mažesnį nei 90 oktanų skaičiaus benzina, gali atsirasti taip vadinamas "kalimas". Dėl to didėja variklio temperatūra ir apkrova guoliams, o tai savo ruožtu gali sąlygoti rimtus variklio gedimus.
- Jei nuolat dirbate dideliais variklio apsisukimais (pvz., genėdami šakas), siūlome naudoti dar didesnį oktano skaičių turintį benzina.

Ekologiškas kuras

HUSQVARNA rekomenduoja naudoti ekologišką benzina (vadinamąjį alkilato kurą), arba „Aspen“ maišytą dvitaktį benzina arba ekologišką benzina keturtaktiams varikliams, maišytą su dvitakte alyva, žr. toliau. Atkreipkite dėmesį, jog keičiant kuro tipą, reikia sureguliuoti ir karbiuratorių (žr. nuorodas skyrelyje „Karbiuratorius“).

Degalai su etanolu

HUSQVARNA rekomenduoja degalinėse parduodamus degalus, kurių sudėtyje yra ne daugiau kaip 10 % etanolio.

Įvažinėjimas

Pirmąsias 10 valandų būtina vengti dirbti per dideliu greičiu ilgesnį laiko tarpą.

Dvitaktė alyva

- Norėdami pasiekti geriausių rezultatų ir darbinės charakteristikas, naudokite HUSQVARNA dvitaktę variklių alyvą, kuri yra specialiai sukurta mūsų oru aušinamiems dvitaktčiams varikliams.
- Niekada nenaudokite alyvos, skirtos vandeniu aušinamiems varikliams, vadinamosios alyvos pakabinamiems varikliams (TCW).
- Niekada nenaudokite alyvos, skirtos keturtaktčiams varikliams.
- Blogos kokybės alyva ar per riebus alyvos / kuro mišinys gali pakenkti katalizatoriaus funkcijai ir sutrumpinti jo tarnavimo laiką.

Mišinio proporcija

1:50 (2%) su HUSQVARNA dvitakte alyva.

1:33 (3%) su kitomis alyvomis yra skirta oru aušinamiems dvitaktčiams varikliams; skirti JASO FB/ISO EGB.

Benzinas, litrai	Dvitaktė alyva, litrai	
	2% (1:50)	3% (1:33)
5	0,10	0,15
10	0,20	0,30
15	0,30	0,45
20	0,40	0,60

Maišymas

- Benzina ir alyvą visada maišykite švariam kurui skirtame bakelyje.
- Visada pirmiausiai supilkite pusę numatomo naudoti benzino. Tada supilkite visą reikalingą alyvos kiekį. Išmaišykite (suplakite) kuro mišinį. Supilkite likusią benzino dalį.
- Gerai išmaišykite (suplakite) kuro mišinį, prieš pildami jį į įrenginio baką.
- Kuro mišinio neruoškite daugiau kaip 1 mėnesiui į priekį.
- Jei kurį laiką įrenginio nenaudojate, ištuštinkite ir išvalykite kuro baką.

Alyva grandinei

- Tepimui rekomenduojama speciali alyva (grandinės tepimo alyva) su geromis kibimo savybėmis. **(48)**
- Niekada nenaudokite atidirbusios alyvos. Ji sugadins alyvos siurbį, pjovimo juostą ir grandinę.
- Labai svarbu pagal oro temperatūrą parinkti atitinkamo tirštumo alyvą.
- Oro temperatūrai nukritus žemiau 0°C, kai kurių rūšių alyvos sutirštėja. Tokia alyva gali perkrauti alyvos siurbį ir pakenkti jo komponentams.
- Paprašykite jus aptarnaujančio tiekėjo padėti parinkti grandinės alyvą.

Kuro užpylimas



PERSPĖJIMAS! Šios saugumo priemonės sumažins gaisro pavojų:

Nerūkykite ir nelaikykite karštų daiktų šalia kuro.

Išjunkite variklį ir prieš pildami kurą leiskite jam keletą minučių atvėsti.

Pildami degalus, iš lėto atsukite kuro bako dangtelį tam, kad palaiapsnui išsilygintų galintis bake susidaryti garų spaudimas.

Supylę degalus, kruopščiai užsukite kuro bako dangtelį.

Prieš užvesdami įrenginį visada patraukite jį toliau nuo kuro pildymo vietos ir kuro talpos.

Pašluostykite aplink kuro bako dangtelį. Nuolat nuvalykite kuro ir grandinės alyvos bakus. Mažiausiai kartą per metus pakeiskite kuro filtrą. Kuro bako užteršimas sąlygoja pjūklų veikimo sutrikimus. Prieš užpildami degalus, gerai supurtykite kanistrą ir išmaišykite kuro mišinį. Grandinės alyvos ir kuro bakų turiai yra tarpusavyje suderinti. Todėl visuomet kartu užpilkite grandinės alyvą ir kurą. **(48)**



PERSPĖJIMAS! Kuras ir jo garai labai lengvai įsiliepsnoja. Būkite atsargūs su kuru ir alyva. Saugokitės atviros liepsnos ir nekvėpuokite degalų garais.

Degalų įpylimo angos dangtelio ir grandinės alyvos įpylimo angos dangtelio nuėmimas

- Spustelėkite fiksavimo svirties ruplėtą paviršių ir pakelkite dangtelį į statmeną padėtį. **(49)**
- Atsukite dangtelį, sukdami prieš laikrodžio rodyklę. **(50)**
- Nuimkite dangtelį. **(51)**

Degalų įpylimo angos dangtelio ir grandinės alyvos įpylimo angos dangtelio keitimas

- Dangtelį su fiksavimo svirtimi įkiškite statmenoje padėtyje. **(52)**
- Dangtelį tvirtai priveržkite, sukdami pagal laikrodžio rodyklę. **(53)**
- Nulenkite fiksavimo svirtį. **(54)**

SVARBU! Sugadintą dangtelį visuomet pakeiskite nauju.

Saugumo reikalavimai kurui

- Niekada nepilkite kuro esant įjungtam įrenginiui.
- Degalus pilkite ir maišykite tik gerai ventiliuojamoje vietoje (benzinas ir dvitaktė alyva).
- Prieš užvesdami įrenginį, perneškite jį mažiausiai 3 m nuo tos vietos, kur pylėte degalus.
- Nebandykite užvesti įrenginio:
 - 1 Jei ant įrenginio netyčia užpylėte degalų ar grandinės alyvos. Pirmiausia viską švariai nušluostykite ir kuro likučiams leiskite išgaruoti.
 - 2 Jei Jūs apsiplėtėte degalais ar apipylėte drabužius, persirenkite. Nuplaukite tas kūno dalis, ant kurių užlašėjo kuras. Naudokite muilą ir vandenį.
 - 3 Jei degalai varva iš įrenginio. Reguliariai tikrinkite kuro bako ir kuro žarnelių sandarumą.



PERSPĖJIMAS! Niekada nenaudokite įrenginio, kur aiškiai matosi degimo žvakės apsaugos ir degimo kabelio pažeidimai. Iškyla kibirkščių atsiradimo pavojus, o tai gali sukelti gaisrą.

Pervežimas ir laikymas

- Grandininį pjūklą ir kurą visada laikykite toliau nuo kibirkščių ar atviros liepsnos šaltinių. Pvz., elektrinių įrenginių, elektrinių variklių, elektros jungiklių, rozečių, šilumos katilų ir pan.
- Degalus visada laikykite tik tam skirtuose pripažintuose bakuose.
- Kai grandininis pjūklas ilgesnį laiką nedirbate arba kai jį transportuojate, ištuštinkite kuro ir alyvos bakus. Artimiausioje degalinėje paklauskite, kur išpilami degalai ir naudota alyva.
- Pjovimo įrangos apsauginis dėklas įrenginio transportavimo ar laikymo metu visada privalo būti pritvirtintas, kad per klaidą neprislėstų prie aštrios grandinės. Net ir nesisukanti grandinė gali rimtai sužeisti naudotoją ar kitus asmenis, kurie prieina prie grandinės.
- Nuo uždegimo žvakės nuimkite uždegimo ritę. Įjunkite grandinės stabdį.
- Gabendami įrenginį pritvirtinkite.

Ilgalaikis laikymas

Kuro ir alyvos bakelius ištuštinkite gerai vėdinamose vietose. Kurą laikykite pripažintuose bakeliuose saugiose vietose. Pritvirtinkite juostos apsaugą. Išvalykite įrenginį. Žr. nuorodas skyrelyje „Priežiūros tvarkaraštis“.

Jei įrenginiu nesiruošiate naudotis ilgesnį laiką tarpą, užtikrinkite, kad jis būtų gerai išvalytas ir jam atliktas pilnas aptarnavimas.

JUNGIMAS IR IŠJUNGIMAS

Jungimas ir išjungimas



PERSPĖJIMAS! Prieš užvedant atkreipkite dėmesį:

Užvedant motorinį pjūklą grandinės stabdys turi būti įjungtas, kad sumažėtų pavojus prisiliesti prie besisukančios grandinės užvedimo metu.

Niekada neveskite grandininio pjūklo, kol juosta, grandinė ir visi dangteliai nėra priveržti. Nes kitaip sankaba gali atsilaisvinti ir sužeisti.

Padėkite įrenginį ant kieto pagrindo. Apžiūrėkite, ar grandinė neliečia kokio daikto ir įsitikinkite, ar jūs tvirtai stovite.

Žiūrėkite, kad darbo zonoje nesimaišytų kiti žmonės ar gyvuliai.

Niekada nevyniokite starterio lynelio sau ant rankos.

Užvedimas

Grandinės stabdys turi būti įjungtas prieš užvedant grandininį pjūklį. Stabdys aktyvuojamas mechaninį saugiklio svertą patraukiant pirmyn. (55)

Šaltas variklis

Ijungimo padėtis, 1: Perjunkite užvedimo/sustabdymo jungiklį į išjungimo padėtį patraukdami raudoną valdymo svirtelę aukštyn/išorėn. (56)

Kuro siurblys (2): Keletą kartų paspauskite degalų siurbliuko gumrinę pūslelę, kol kuras užpildys pūslelę (ne mažiau kaip 6 kartus). Pūslelės nereikia pilnai pripildyti. (56)

Kaire ranka paimkite priekinę rankeną. Grandininį pjūklą laikykite ant žemės, prakišę dešinę koją pro užpakalinę rankeną. (57)

Patraukite starterio rankeną, 3: Dešine ranka patraukite starterio rankeną ir lėtai traukite starterio laidą, kol pajusite pasipriešinimą (kol starteris užges), tuomet tvirtai ir greitai patraukite, kol variklis užsideds.

Nuleiskite raudoną droselio rankeną, 4: Kai tik variklis užsideds (pasigirdus pūstelėjimo garsui), nuleiskite raudoną droselio rankeną.

Patraukite starterio rankeną (5): Tvirtai traukite laidą, kol užsives variklis.

Šiltas variklis

Ijungimo padėtis, 1: Droselis / užvedimo droselis teisingai nustatomas šiltos grandinės užvedimui visų pirma pastūmus raudoną droselio rankeną į save – ir į viršų. (56)

Kuro siurblys (2): Keletą kartų paspauskite degalų siurbliuko gumrinę pūslelę, kol kuras užpildys pūslelę (ne mažiau kaip 6 kartus). Pūslelės nereikia pilnai pripildyti. (56)

Nuleiskite raudoną droselio rankeną, 3: Tokiu būdu išjungiamas užvedimo metu nereikalingas droselis, kai

grandinė dar šilta. Tačiau pastūmus įjungimo / išjungimo jungiklį, įjungiamą tuščioji eiga, kurios dėka šilta grandinė lengviau užvedama.

Patraukite starterio rankeną, 4: Kaire ranka paimkite priekinę rankeną. Grandininį pjūklą laikykite ant žemės, prakišę dešinę koją pro užpakalinę rankeną. (57)

Dešine ranka patraukite starterio rankeną ir lėtai traukite starterio laidą, kol pajusite pasipriešinimą (kol starteris užges), tuomet tvirtai ir greitai patraukite, kol variklis užsideds.

Kadangi grandinės stabdys tebėra įjungtas, variklio sūkiiai kuo greičiau turi būti sumažinti iki laisvosios eigos, o tą galima padaryti išjungiant akceleratoriaus užraktą. Išjungiamą nesmarkiai padidinant apsakas akceleratoriaus gaiduku. Taip išvengsite nereikalingo sankabos, sankabos cilindro ir stabdžio juostos dilimo. Mašiną keletą sekundžių leiskite tuščiaja eiga, paskui paleiskite visa galia.

Ant pjūklo užpakalinės briaunos (A) priklijuotas lipdukas su glaustais nurodymais dėl užvedimo ir atitinkamų veiksmų iliustracijomis. (57)

PASTABA! Staigiai nepaleiskite pilnai ištrauktos starterio rankenėlės. Tai gali pakenkti įrenginiui.

Pasižymėkite! Grandinės stabdį gražinkite į ankstesnę padėtį patraukdami mechaninio saugiklio svertą link rankenos pakabos.



PERSPĖJIMAS! Ilgą laiką įkvepiant variklio išmetamąsias dujas, grandinės tepalo dūmus ir smulkias pjuvenų dalelytes, gali kilti pavojus sveikatai.

- Niekada nejunkite grandininio pjūklo, kol juosta, pjūklo grandinė ir visi dangteliai nėra patikimai priveržti. Žr. nuorodas Surinkimas. Be juostos ir grandinės ant motorinio pjūklo sankaba gali atsilaisvinti ir rimtai sužeisti.
- Užvedant motorinį pjūklą grandinės stabdys turi būti įjungtas. Žr. nuorodas skyrelyje „Užvedimas ir išjungimas“. Niekada neveskite motorinio pjūklo laikydami jį ore. Šis metodas labai pavojingas, nes lengva prarasti motorinio pjūklo kontrolę. (55)
- Niekada nejunkite įrenginio patalpoje. Variklio išmetamosios dujos gali būti pavojingos.
- Prieš užveddami pjovimo įrangą, visada apsidairykite ir įsitikinkite, ar ji nesužeis kitų netoliese esančių žmonių ar gyvulių.
- Motorinį pjūklą visada laikykite abiem rankomis. Dešinę ranką laikykite ant galinės rankenos, o kairę ranką – ant priekinės rankenos. **Visi naudotojai, tiek dešiniarankiai, tiek kairiarankiai, turi taip daryti.** Tvirtai suimkite, kad nykščiai ir kiti pirštai apimtų motorinio pjūklo rankenas.

Išjungimas

Variklis išjungiamas nuspaužiant įjungimo/išjungimo jungiklį. (59)

PASTABA! Įjungimo/išjungimo mygtukas automatiškai grįžta į darbinę padėtį. Siekiant išvengti atsitiktinio užsivedimo, paliekant mašiną be priežiūros nuo uždegimo žvakės visada reikia nuimti uždegimo ritę. (60)

PAGRINDINIAI DARBO

Prieš kiekvieną naudojimą: (61)

- 1 Patikrinkite, ar grandinės stabdys veikia gerai ir nėra pažeistas.
- 2 Patikrinkite, ar galinis dešiniosios rankos apsauginis skydas nėra pažeistas.
- 3 Patikrinkite, ar akseleratoriaus gaiduko užraktas veikia gerai ir nėra pažeistas.
- 4 Patikrinkite, ar išjungimo kontaktas gerai veikia ir nėra pažeistas.
- 5 Patikrinkite, ar visos rankenėlės nėra tepaluotos.
- 6 Patikrinkite, ar antivibracinė sistema veikia ir nėra pažeista.
- 7 Patikrinkite, ar duslintuvus yra saugiai pritvirtintas ir nėra pažeistas.
- 8 Patikrinkite, ar grandininio pjūklo visos dalys yra priveržtos ir nėra pažeistos.
- 9 Patikrinkite, ar grandinės laikiklis yra vietoje ir nėra pažeistas.
- 10 Patikrinkite grandinės įtempimą.

Bendrosios darbo instrukcijos

SVARBU!

Šiame skyrelyje aprašomos esminės saugaus darbo grandininio pjūklo taisyklės. Pateikta informacija niekada nepakeis tų žinių ir praktinės patirties, kurią turi profesionalas. Jei tam tikroje situacijoje pasijutote nesaugiai, užbaikite darbą ir kreipkitės pagalbos į ekspertą. Kreipkitės į grandininio pjūklų parduotuvę, aptarnavimo dirbtuves arba patyrusį grandininio pjūklo naudotoją. Nesitenkite atlikti darbo, kuriam nesate pakankamai kvalifikuotas!

Prieš pradėdami naudoti grandininį pjūklą, turite suprasti, kas yra atatranks smūgis ir kas jį gali sąlygoti. Žr. nuorodas Kaip išvengti atatranks smūgių.

Prieš naudodami grandininį pjūklą, turite suvokti skirtumą tarp pjovimo viršutine ir apatine ašies briauna. Žr. nuorodas skyreliuose „Atatranks smūgio išvengimo priemonės“ ir „Irenginio apsauginės dalys“.

Naudokite asmenines saugumo priemones. Žr. nuorodas Asmeninės saugumo priemonės.

Esminės saugumo taisyklės

- 1 Apsidairykite aplink:
 - Ar šalia nėra žmonių, gyvulių ar kt., kas galėtų trukdyti jūsų darbui šiuo įrenginiu.
 - Ar niekas neprieis artyn darbo metu, ar verčiamas medis nieko neužgaus ir nesužeis.
- PASTABA! Laikykitės aukščiausi paminėtų reikalavimų, tačiau venkite naudoti grandininį pjūklą, jei netoliese nėra žmonių, kuriuos galėtumėte pakviesti į pagalbą, ištikus nelaimėi.
- 2 Nenaudokite pjūklo bogu oru. Pavyzdžiui, esant tirštam rūkui, smarkiai lyjant, pučiant stipriam vėjui, per didelius šalčius ir t. t. Darbas per šalčius vargina, be to, dažnai padidina rizikos faktorius, pvz., apledėjusi žemė, nenuspėjama medžio kritimo kryptis ir pan.

- 3 Būkite labai atsargūs, kai genite smulkias šakas, ypač, jei vienu metu pjaunate kelias, venkite pjauti krūmus. Grandinė gali pagriebti nedideles šakeles, sviesti jas tiesiai į jus ir rimtai sužeisti.
- 4 Apžiūrėkite, ar jūsų darbo vietoje nėra kliūčių. Pavyzdžiui, išsikūsiusių šakų, akmenų, šakų, griovių, jei kartais tektų greitai pasitraukti. Labai atsargiai dirbkite ant stačių šlaitų.
- 5 Ypač atsargus būkite pjaunant įsitempusius medžius. Įtemptas medis gali netikėtai sugrįžti į pirminę padėtį prieš ar po pjovimo. Jei Jūs stovėsite iš neteisingos pusės ir netinkamai parinksite pjovimo vietą, atšokdamas medis gali kliudyti Jus ar įrenginį taip, kad Jūs neteksite pusiausvyros. Abiem atvejais galite sunkiai susižeisti.



- 6 Transportuodami, visada išjunkite variklį ir grandinės stabdžiu užblokuokite grandinę. Grandininį pjūklą neškite atgal atsukta juosta ir grandine. Nešdami pjūklą, visada ant grandinės uždėkite apsaugą.
- 7 Motorinį pjūklą padėję ant žemės, užfiksukite pjūklą grandinė grandinės stabdžiu ir stebėkite įrenginį. Ilgiau laikant, variklį reikia išjungti.



PERSPĖJIMAS! Kartais atplaišos įstringa sankabos gaubte, todėl grandinė užsikerta. Prieš valydami visada išjunkite variklį.

Esminės taisyklės

- 1 Jei jūs suprantate, kas yra atatranks smūgis ir kaip jis įvyksta, galite sumažinti ar net visai pašalinti netikėtumo faktorių. Būdami pasiruošę, sumažinsite pavojų. Dažniausiai atatranks jėga yra maža, tačiau kartais ji gali būti staigi, stipri ir netik.
- 2 Visada tvirtai laikykite grandininį pjūklą už rankenų – dešine ranka už užpakalinės ir kaire ranka už priekinės. Pirštais ir nykščiu tvirtai apimkite rankeną. Įmkite pjūklą taip, kaip nurodyta, nesvarbu, ar jūs dešiniarankis, ar kairiarankis. Toks laikymas sumažina atatranks pavojų ir leidžia jums efektyviausiai kontroliuoti grandininį pjūklą. **Nepaleiskite rankenų!**
- 3 Dauguma nelaimių dėl atatranks kyla genint šakas. Visada tvirtai stovėkite. apžiūrėkite, kad po kojomis nebūtų daiktų, galinčių sutrikdyti jūsų pusiausvyrą.

Atatranks smūgis bus stipresnis ir pavojingesnis, jei, atatranks zona netyčia palietus šaką, gretimas esantį medį ar koją nors kitą daiktą, jūs būsite nesusikaupęs.

Kontroliuokite apdorojamąją detalę. Jei pjaunamos detalės yra mažos ir lengvos, jos gali užstrigti grandinėje ir kliudyti Jus. Nors tai nebūtinai turi būti pavojinga, tačiau Jūs galite nustebiti ir prarasti pjūklo kontrolę. Niekada nepjaukite sukrautų rąstų – pirmiausiai juos reikia nusikelti ir tvarkingai susidėti. Vienu metu pjaukite tik vieną rąstą arba detalę. Patraukite nupjautas detales, kad darbo vieta būtų saugi. (62)

PAGRINDINIAI DARBO

- 4 **Niekada nekelkite grandininio pjūklo aukščiau pečių juostos ir stenkitės nepjauti pačia juostos viršūne. Niekada nelaikykite grandininio pjūklo viena ranka! (63)**
- 5 Norint visiškai valdyti grandininį pjūklą, reikia stovėti tvirtai. Niekada nedirbkite stovėdami ant kopėčių, įlipę į medį ar neturėdami po kojomis tvirto pagrindo. (64)
- 6 Visada pjaukite, paleidę grandinę suktais didžiausiu greičiu.
- 7 Būkite ypač atsargūs, kai pjaunate juostos viršutinę briauna, t.y. kai daiktą pjaunate iš apačios. Tokiu atveju jūs pjaunant atgal besisukančia grandine. Grandinė stumia grandininį pjūklą atgal link naudotojo. Jei pjūklo grandinė įstringa, motorinį pjūklą gali atmesti atgal Jūsų link. (65)
- 8 Nors naudotojas kontroliuoja grandininio pjūklo stūmimo atgal jėgą, gali atsitikti taip, kad grandininis pjūklas pajudės atgal tiek, kad atatranks zona palies pjaunamą objektą, ir tuo metu galite tikėtis atatranks smūgio. (66)
Pjovimas apatinė ašies briauna, t.y. iš viršaus žemyn, vadinamas pjovimu pirmyn besisukančia grandine. Taip pjaunant, grandininis pjūklas pats stumia pirmyn link pjaunamo objekto, o grandininio pjūklo priekinė korpuso dalis natūraliai tampa atrama nuo kamieno. Pjovimas iš viršaus leidžia geriau kontroliuoti grandininį pjūklą ir atatranks zonos padėtį. (67)
- 9 Laikykites pjūklo galandymo ir priežiūros instrukcijų. Kai keičiate juostą ir grandinę, naudokite tik mūsų rekomenduojamus derinius. Žr. nuorodas Pjovimo įranga ir Techniniai duomenys.

Pagrindinė pjovimo technika



PERSPĖJIMAS! Niekada nenaudokite motorinio pjūklo laikydami jį viena ranka. Viena ranka valdyti motorinį pjūklą yra nesaugu. Visada laikykite tvirtai suėmę rankenas abiem rankomis.

Bendri principai

- Pjaudami visada laikykite iki galo nuspaustą akseleratorių!
- Atleiskite akseleratorių iki laisvos eigos po kiekvieno pjūvio (ilgalais variklio darbas pilnu pajėgumu gali jam rimtai pakenkti).
- Pjovimas iš viršaus = Pjovimas traukiančia grandine.
- Pjovimas iš apačios = Pjovimas stumiančia grandine.

Pjovimas "stumiančia" grandine padidina atatranks smūgių pavojų. Žr. nuorodas Kaip išvengti atatranks smūgių.

Terminai

Pjovimas = Bendras terminas medžio pjovimui apibūdinti.

Genėjimas = Nuversto medžio šakų apipjaustymas.

Lūžis = Kai objektas, kurį jūs pjaunate, įlūžta ar įskyla nebaigus pjauti.

Prieš pjaudami atkreipkite dėmesį į penkis labai svarbius faktorius:

- 1 Apžiūrėkite, ar pjaunant neužstrigs juosta. (68)
- 2 Įsitikinkite, ar nėra pavojaus, jog rąstas lūš. (69)
- 3 Apžiūrėkite, ar grandinė pjovimo metu ar po to nekludys žemės ir kito daikto. (70)

- 4 Ar nėra atatranks smūgio pavojaus? (4)
- 5 Ar darbo vieta gali turėti kokį nors neigiamą poveikį jūsų saugumui?

Ar neužstrigs grandinė ir nesulūš rąstas, apsprendžia du faktoriai: kaip rąstas remiasi ir ar kurioje nors jo vietoje yra susidaręs tempimas.

Daugelyje atvejų jūs galite išvengti šių problemų, darydami du pjūvius – iš rąsto viršaus ir apačios. Paremkite rąstą taip, kad jis neužspautų grandinės ir pjovimo metu nelūžtu.

SVARBU! Jei pjaunant rąstas suspaudžia grandinę, sustabdykite variklį! Nesistenkite jėga ištraukti grandininio pjūklo. Jei tai darysite, galite susižeisti pats, kai grandininis pjūklas staiga išsilaisvina. Sverto pagalba praskėskite pjovimo vietą ir išlaisvinkite

Toliau aprašoma, ką daryti daugelyje situacijų, pasitaikančių naudojant grandininį pjūklą.

Genėjimas

Genėdami storas šakas, laikykites bendrų pjovimo principų.

Sudėtingos formos šakas pjaukite dalimis. (71)

Pjovimas



PERSPĖJIMAS! Niekada nebandykite pjauti netvarkingai sukrautų rąstų ar kai jie yra arti vienas kito. Priešingu atveju labai padidėja atatranks smūgio pavojus, todėl galima labai rimtai ar lemtingai susižeisti.

Jei rąstai yra netvarkingai sukrauti į krūvą, kiekvienas rąstas, kurį norite pjauti, turi būti paimamas iš tos krūvos, padedamas ant ožio malkoms pjauti ar atramos ir atskirai pjaunamas.

Patraukite nupjautas detales iš darbo vietos. Jei paliksite jas darbo vietoje, padidės atatranks smūgio pavojus dėl klaidos bei pavojus prarasti pusiausvyrą dirbujantis. (72)

Rąstas guli ant žemės. Grandinės įstringimo ir rąsto lūžimo pavojus nedidelis. Būkite atsargūs, kad baigus pjauti, grandinė nepaliestų žemės. (73)

Visą rąstą perpjaukite iš viršaus žemyn. Baigę pjauti, pasistenkite nepaliesiti žemės. Dirbkite maksimaliomis apskomis, tačiau būkite pasiruošę, jei grandinė staiga į ką nors atsimuštu. (74)

Jei rąstą galima apversti, įpjaukite du jo trečdalius (2/3).

Apverskite rąstą taip, kad užbaigtumte pjauti likusį trečdalį iš kitos pusės. (75)

Rąstas yra paremtas tik iš vienos pusės. Jis gali greitai lūžti. (76)

Pradėkite jį pjauti iš apačios (maždaug 1/3 rąsto skersmens). Baikite pjauti iš viršaus, taikydami į pradėtą pjūvį. (77)

Kai rąstas paremtas iš abiejų galų. Jis gali suspausti grandinę. (78)

Pradėkite jį pjauti iš viršaus (maždaug 1/3 rąsto skersmens).

Baikite pjauti iš apačios, taikydami į pradėtą pjūvį. (79)

Medžių leidimo technika

SVARBU! Medžių leidimas reikalauja didelės patirties. Nepatyręs grandininio pjūklų naudotojas neturėtų imtis šio darbo. Niekada nesistenkite atlikti darbo, jei nemanote esantis tam kvalifikuotas!

Saugus atstumas

Saugus atstumas tarp norimo nuleisti medžio ir aplink dirbančių žmonių turi būti (2,5) karto didesnis už medžio aukštį. Žiūrėkite, kad leidimo metu nieko nebūtų "pavojingoje zonoje". **(80)**

Nuleidimo kryptis

Jūsų tikslas yra nuleisti medį tokia kryptimi, kad paskui būtų patogus genėti šakas ir jį pjaustyti. Medis turi nivistri ant žemės, kad apie jį būtų galima saugiai vaikščioti ir dirbti.

Jei išsirinkote norimą leidimo kryptį, belieka įvertinti, kuria kryptimi medis kristų savaime.

Tam įtakos gali turėti keli faktoriai:

- Medžio pasvirimas
- Medžio išlinkimas
- Vėjo kryptis
- Vainiko forma
- Sniego danga
- Kliūtys, esančios medžio darbinio spindulio zonoje, pvz.: kiti medžiai, jėgos kabeliai, keliai ir pastatai.
- Atkreipkite dėmesį į kamieno pažeidimus ir trūnius – medis gali pradėti kristi Jums to nesitikint.

Kartais gali paaiškėti, kad teks medį nuleisti jo natūralaus kritimo kryptimi, nes būtų neįmanoma ar pavojinga stengtis jį nuleisti kryptimi, apie kurią galvojote anksčiau.

Atidžiai apžiūrėkite, ar medis neturi pažeistų ar nudžiūvusių šakų, tačiau šis faktorius neturi įtakos medžio leidimo kryptiai, bet daug reiškia jūsų saugumui, nes medžiui krentant, nudžiūvusios šakos gali nulūžti ir jus sužeisti.

Svarbiausia neleisti medžiui atsiremti į kitą stovintį medį. Įstrigus medį labai sunku ištraukti, ir toks darbas yra labai pavojingas. Blogai nukritusio medžio atveju žiūrėkite instrukcijas, nurodytas skyrelyje "Išlaisvinimas". **(81)**

SVARBU! Kai leidžiate medžius, tik baigę pjauti iš karto nusiimkite ausines, kad galėtumėte girdėti garsus ir įspėjamuosius signalus.

Kamieno nuvalymas ir atsitraukimo kelio paruošimas

Kamieną nugenėkite iki pečių aukščio. Saugiausia dirbti nuo viršaus žemyn, kad kamienas būtų tarp Jūsų ir motorinio pjūklų. **(82)**

Palaisvinkite kamieną nuo augalų ir patikrinkite, kad po kojomis nebūtų didelių akmenų, šakų, duobių, t.y. objektų, kurie gali trukdyti jums pasitraukti, kai medis pradės svirti. Jūs turėtumėte paruošti maždaug 135° kampo atsitraukimo kelią priešingoje nu **(83)**

- 1 Rizikos zona
- 2 Atsitraukimo kelias
- 3 Nuleidimo kryptis

Nuleidimas



PERSPĖJIMAS! Jei nesate pakankamai kvalifikuotas naudotojas, mes nerekomenduojame nuleidinėti medžių, kurių kamieno skersmuo didesnis už juostos ilgį!

Nuleidžiama trijų pjūvių pagalba. Pirmiausia padarykite nukreipiamąjį pjūvį, kurį sudaro viršutinis ir apatinis pjūviai, po to nuleidžiamąjį pjūvį. Jei šiuos tris pjūvius padarysite teisingai, galėsite lengvai kontroliuoti medžio leidimo kryptį.

Nukreipiamasis pjūvis

Pjaunant kreipiamąjį pjūvį pradedama nuo viršutinio pjūvio. Žiūrėkite pro pjūklų vartimo krypties žymą (1) į tašką, esantį toličiau atviroje vietoje, į kurią norite nuversti medį (2). Atsistokite į dešinę nuo medžio, už pjūklų, ir pjaukite su vadinamąja traukiančiąja pjūklų grandine.

Po to padarykite apatinį pjūvį taip, kad jis baigtųsi ten, kur baigiasi viršutinis pjūvis. **(84)**

Nukreipiamąjį pjūvio gylis turi būti 1/4 kamieno storio, ir kampas tarp viršutinio ir apatinio pjūvių turi būti 45°.

Linija, kur susikerta pirmieji du pjūviai, vadinama nukreipiamąja pjovimo linija. Ši linija turi būti horizontali ir statmena (90°) planuojamai nuleidimo kryptiai. **(85)**

Nuleidžiamasis pjūvis

Nuleidžiamasis pjūvis daromas priešingoje kamieno pusėje ir turi būti horizontalus. Atsistokite kairėje kamieno pusėje ir pjaukite apatine juosta briauna.

Nuleidžiamasis pjūvis turėtų būti 3–5 cm (1,5–2 coliais) aukščiau už nukreipiamąjį pjūvio plokštumą. **(86)**

Įstatykite buferį (jei yra pritaisytas) už lūžimo juostos. Iki galo nuspauskite akseleratorių ir juostą su besisukančia grandine iš lėto stumkite link kamieno centro. Stebėkite, ar medis nepradedą svirti į priešingą pusę jūsų numatomai nuleidimo kryptiai. Tik įpjovę kamieną iki reikiamo gylio, į pjūvį įjunkite pleišta.

Pabaikite nuleidžiamąjį pjūvį lygiagrečiai nukreipiamajam pjūvio linijai taip, kad atstumas tarp dviejų linijų turi būti ne mažesnis negu 1/10 kamieno skersmens. Likusi nenupjauta kamieno dalis vadinama lūžimo juosta.

Lūžimo juosta atlieka vyrių, kurie kontroliuoja medžio nuleidimo kryptį, vaidmenį. **(87)**

Jei paliksėte per siaurą lūžimo juostą arba neteisingoje vietoje padarysite pjūvius, nebegalėsite efektyviai kontroliuoti nuleidimo krypties. **(88)**

Jei nuleidžiamasis ir nukreipiamasis pjūviai padaryti teisingai, medis turi pradėti svirti nuo savo paties svorio arba nuleidžiamąjį pleišto pagalba. **(89)**

Jei juostos ilgis yra didesnis nei medžio kamieno skersmuo, naudotojams mes rekomenduojame nuleidžiamąjį ir nukreipiamąjį įpjovimus atlikti vadinamuoju „paprastu pjūviu“. Žr. nuorodas skyrelyje „Techniniai duomenys“ dėl informacijos apie Jūsų motorinio pjūklų modeliui rekomenduojamą juostos ilgį.

PAGRINDINIAI DARBO

Yra būdų nuleisti medžius, kurių skersmuo didesnis už pjūklo juostos ilgį. Tačiau šie būdai pavojingi, nes labiau rizikuojate, nes juostos atatranks zona gali prisiliesti prie pjaunamo kamieno. (4)

Nesėkmingai nuleistų medžių tvarkymas

"Pakibusio" medžio nuleidimas

Istrigusį medį labai sunku ištraukti, ir toks darbas yra labai pavojingas.

Niekada nebandykite pjauti medžio, ant kurio yra nukritęs kitas medis.

Niekada nedirbkite pakibusio medžio pavojaus zonoje. (90)

Saugiausia tokiu atveju naudoti suktuvą.

- Kabinamą prie traktorius
- Rankinį

Medžių ir šakų įtemptu paviršiumi pjovimas

Pasiruošimas: Nustatykite, į kurią pusę lenksis medis ar šaka pašalinus kliūtį, ir kurioje vietoje yra natūralus lūžimo taškas (t.y. vieta, kurioje medis ar šaka lūžtų, jei ją dar daugiau palenkumėte). (91)

Nustatykite, kaip saugiausiai galima pašalinti įtempimo šaltinį, ir ar jūs tai galite saugiai padaryti. Sudėtingose situacijose geriausia padėti grandininį pjūklą į šalį ir naudoti suktuvą.

Bendri patarimai:

Atsistokite taip, kad lūžtanti ar atspalaiduojanti šaka jūsų nekliudytų. (92)

Įpjaukite vieną ar kelis kartus netoli lūžimo taško. Padarykite tiek įpjovų įvairiose vietose, kiek reikia tam, kad maksimaliai būtų sumažinta įtempimo jėga, ir po to laužkite kamieną ar šaką per lūžimo tašką. (93)

Niekada tiesiai nepjaukite įtempto medžio ar šakos!

Jei jums reikia perpjauti medį / šaką, padarykite du ar tris 3–5 cm gylio įpjovimus, tarp kurių būtų 3 cm tarpai. (94)

Stenkitės pjauti giliau, kol pranyks medžio / šakos susukimas ir įtempimas. (95)

Dingus įtempimui, medį / šaką pjaukite iš priešingos pusės.

Kaip išvengti atatranks smūgių



PERSPĖJIMAS! Atatranks smūgiai būna labai netikėti, staigūs ir stiprūs, ir grandinės sukimosi jėga gali atmesti grandininį pjūklą, ašį bei grandinę naudotojo link. Smarkiai besisukanti grandinė gali rimtai ir net lemtingai sužeisti. Todėl ypač svarbu, kad jūs suprastumėte, kas gali sukelti atatranks smūgius, kurių galite išvengti atsargiai ir teisingai dirbdami.

Kas yra atatranks smūgis?

Išsireiškimas atatranks smūgis reiškia staigų grandininio pjūklo atmetimą atgal, kas gali atsitikti, kai priekinė viršutinė juostos dalis, vadinama atatranks zona, kliudo kojį nors objektą. (66)

Atatranks smūgio galima tikėtis tik pjūklo eksploatacijos metu. Paprastai grandininis pjūklas ir juosta atmetami atgal ir į viršų link žmogaus. Tačiau atatranks kryptis gali būti įvairi, priklausomai nuo to, kaip buvo laikomas grandininis pjūklas, kai atatranks zona kliudė kojį nors daiktą. (7)

Atatranks smūgis įmanomas tik atatranks zona palietus kojį nors objektą. (4)

Genėjimas



PERSPĖJIMAS! Dauguma nelaimių dėl atatranks smūgių atsitinka genėjant. Nenaudokite juostos atatranks smūgio pavojaus zonoje. Būkite labai atsargūs ir stenkitės, kad juostos galas nelieštų kamieno, kitų šakų ar daiktų. Ypač būkite atidūs su įtemptomis šakomis. Jos gali spyruokliuoti atgal į Jus, todėl galite prarasti kontrolę ir rimtai susižeisti.

Apžiūrėkite, ar jūsų darbo vietoje ant žemės nėra kliūčių! Prie kamieno priekite iš kairės pusės. Grandininį pjūklą laikykite arti savęs, kad galėtumėte jį efektyviai valdyti. Jei įmanoma, pjūklo korpusą įremkite į kamieną.

Eidami išilgai kamieno, grandininį pjūklą laikykite kitoje kamieno pusėje.

Kamieno supjaustymas į rąstus

Žr. nuorodas Pagrindinė pjovimo technika.

Bendri principai

Naudotojas gali atlikti tik tokius priežiūros ir techninio aptarnavimo darbus, kurie aprašyti šiose naudojimosi instrukcijose. Labiau sudėtingesnius darbus turi atlikti licencijuotas techninio aptarnavimo dirbtuvis.

Karbiuratoriaus reguliavimas

Jūsų Husqvarna produktas suprojektuotas ir pagamintas laikantis specifikacijų, kurios sumažina kenksmingų išmetamų dujų kiekį.

Veikimas

- Karbiuratorius reguluoja variklio greitį akseleratoriaus pagalba. Karbiuratoriuje kuras sumaišomas su oru. Kuro ir oro mišinį galima reguliuoti. Tik teisingas nustatymas leidžia pasiekti maksimalų įrenginio darbo našumą.
- Varžtas T reguliuoja laisvosios eigos apsakas. Jeigu varžtas T suksite pagal laikrodžio rodyklę, laisvieji apsisukimai didės, jei prieš laikrodžio rodyklę – mažės.

Pagrindiniai nustatymai ir įsibėgėjimas

Išbandant gamykloje, karbiuratorius yra sureguliuojamas. Tikslų sureguliovimą turi atlikti apmokytas, patyręs asmuo.

Rekomenduojamas laisvos eigos sūkių skaičius: Žr. skyrių Techniniai duomenys.

Galutinis laisvos eigos T greičio sureguliovimas

Laisvos eigos greitį reguliuokite varžtu T. Jei reikia reguliuoti iš naujo, pirmiausiai laisvosios eigos varžtą T pasukite pagal laikrodžio rodyklę, kol grandinė vėl pradės sukstis. Tada sukite varžtą prieš laikrodžio rodyklę, kol grandinė sustos. Laisvosios eigos greitis bus teisingai sureguliuotas tuomet, kai variklis veiks tolygiai bet kioje padėtyje, o kai grandinė ims sukstis, turėtų būti pasiektas didelis variklio apsisukimų per minutę skaičius.



PERSPĖJIMAS! Kreipkitės į remonto dirbtuves, jei laisvosios eigos apsisukimų nepavyks sureguliuoti taip, kad grandinė sustotų. Nenaudokite grandininio pjūklo, kol jis nebus tinkamai sureguliuotas ar pataisytas.

Teisingai sureguliuotas karbiuratorius

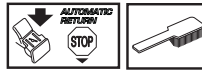
Kai karbiuratorius sureguliuotas teisingai, įrenginys greitai įsibėgėja ir truputį borbina varikliui sukantis maksimaliais apsisukimais. Be to, laisvosios eigos metu neturi sukstis grandinė. Liesam mišiniui sureguliuota žemų apsakų adata L sukelia problemas užvedant įrenginį, pastebima prasta jo akseleracija. Jei per liesam mišiniui nustatyta aukštų apsisukimų adata H, mažėja įrenginio galingumas ir tuo pačiu darbo našumas, prastėja akseleracija ir/arba genda variklis.

Grandininio pjūklo apsauginių dalių kontrolė, priežiūra ir taisymas

Pasižymėkite! Įrenginio techninė priežiūra reikalauja specialaus pasirengimo. Tai ypač liečia įrenginio apsaugines dalis. Jei įrenginys neatitiks nors vieno iš toliau pateiktų kontrolės reikalavimų, kreipkitės į techninės priežiūros dirbtuves.

Grandinės stabdis ir mechaninio saugiklio svertas

Stabdžio juostos nusidėvėjimo kontrolė



Nuvalykite pjūvenes ir kitus nešvarumus nuo grandinės stabdžio ir sankabos būgno. Dulkės ir apnašos gali susilpninti stabdymo funkciją. (96)

Nuolat tikrinkite, ar stabdžio juosta yra bent 0,6 mm storio labiausiai nusidėvėjusioje vietoje.

Patikrinkite mechaninio saugiklio svertą



Patikrinkinkite, ar mechaninio saugiklio svertas nėra įskilęs, įtrūkęs ar kitaip pažeistas.

Pajudinkite saugiklio svertą pirmyn ir atgal norėdami patikrinti, ar jis slankioja lengvai ir yra tvirtai priveržtas prie movos dangčio.

Automatinio stabdžio kontrolė



Motorinį pjūklą laikykite išjungę variklį ant kelmo ar kito stabilaus pagrindo. Atleiskite priekinę rankeną, o motoriniam pjūklui, besisukančiam aplink galinę rankeną, leiskite nusvirti savo jėga kamieno link. (97)

Kai grandinė palies kelmą, stabdis turi automatiškai įsijungti. (98)

Stabdžio veikimo kontrolė

Užveskite grandininį pjūklą ir padėkite jį ant stabilaus pagrindo. Patikrinkite, ar grandinė neličia pagrindo ar kokio kito daikto. Žr. nuorodas įjungimas ir išjungimas. (99)

Tvirtai rankomis paimkite grandininį pjūklą už abiejų rankenų. Stipriai spustelkite akseleratorių ir aktyvuokite grandinės stabdį pasukdami kairės rankos riešą link mechaninio saugiklio sveto. Nepaleiskite priekinės rankenos. **Grandinė turi akimirksniu sustoti. (58)**

Akseleratoriaus gaiduko blokatorius



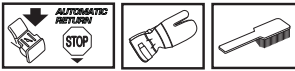
- Patikrinkite, ar laisvoje eigoje akseleratorius yra užblokuotas, o akseleratoriaus gaiduko blokatorius yra savo pirminėje padėtyje. **(100)**
- Paspauskite gaiduko blokatorių ir patikrinkite, ar jis grįžta į pirminę padėtį, kai jį atleidžiame. **(101)**
- Patikrinkite, ar akseleratorius ir jo gaiduko blokatorius laisvai junginėjasi, ir ar gerai veikia jų spyruoklių sistema. **(102)**
- Užveskite grandininį pjūklą ir stipriai spūstelkite akseleratorių. Paleiskite akseleratorių ir patikrinkite, ar grandinė sustoja ir daugiau nesisuka. Jei grandinė sukasi laisvoje eigoje, patikrinkite karbiuratoriaus laisvos eigos sureguliuvimą.

Grandinės laikiklis



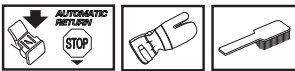
Patikrinkite, kad grandinės laikiklis būtų neįskilęs ir tvirtai priveržtas prie grandininio pjūklo korpuso. **(103)**

Dešiniosios rankos apsauginis skydas



Patikrinkite, ar dešiniosios rankos apsauginis skydas neturi matomų defektų, pvz., nėra įtrūkęs. **(11)**

Antivibracinė sistema



Reguliariai tikrinkite antivibracinės sistemos detales: jos turi būti nepažeistos ir nedeformuotos. Patikrinkite, ar antivibracinės sistemos detalės yra gerai pritvirtintos prie variklio ir rankenų. **(104)**

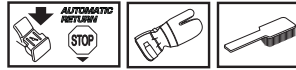
Stop mygtukas



Užveskite variklį ir patikrinkite, ar jis sustoja nuspaudus stop mygtuką. **(59)**

PASTABA! Įjungimo/išjungimo mygtukas automatiškai grįžta į darbinę padėtį. Siekiant išvengti atsitiktinio užsivedimo, montuojant, tikrinant arba taisant mašiną nuo uždegimo žvakės visada reikia nuimti uždegimo ritę.

Duslintuvas



Niekada nenaudokite įrenginio su netvarkingu duslintuvu. Reguliariai tikrinkite, ar duslintuvas yra saugiai pritvirtintas prie įrenginio. **(105)**

Kai kurie duslintuvai turi specialius tinklelius kibirkštims sulaikyti. Jeigu jūsų įrenginyje įtaisytas tokio tipo duslintuvas, būtina mažiausiai kartą per savaitę išvalyti jo tinklelį. Valymui naudokite plieninį šepetį. Užsikimšęs tinklelis gali užkaiinti variklį bei rimtai pažeisti variklį.

Pasižymėkite! Pažeistą tinklelį reikia pakeisti. Jei tinklelis bus nevalytas ir užsikimšęs, įrenginys perkais, o tai savo ruožtu gali sugadinti cilindrą ir stūmoklį. Niekada nenaudokite įrenginio sulūžusiu ar užsikimšusiu tinkleliu. **Niekada nenaudokite duslintuvo, jei pametėte ar sugadinote kibirkščių sulaikymo tinklelį. (13)**

Duslintuvus sumažina garso lygį ir tolyn nuo naudotojo nukreipia išmetamąsias dujas. Išmetamosios dujos yra karštos, jose gali būti kibirkčių, kurios, patekusios ant sausų ir degių medžiagų, gali sukelti gaisrą.

Starteris



PERSPĖJIMAS! Starterio korpusė esanti spyruoklė visuomet yra įtempta, ir, staigiai iššokus, gali rimtai sužeisti, jeigu neatsargiai su ja elgsitės.

Keičiant starterio spyruoklę ar starterio lynelį, reikia būti atsargiems. Naudokite apsauginius akinius ir apsaugines pirštines.

Starterio lynelio keitimas



- Atsukite varžtus, tvirtinančius starterį prie užvedimo bloko ir nuimkite starterį. **(106)**
- Ištraukite trosą apie 30 cm ir įstatykite jį į išpjovą skriemulyje. Atpalaiduokite spyruoklę, leisdami skriemuliui lėtai sukis atgal. **(107)**
- Atlaisvinkite varžtą lynelio skriemulio centre ir nukelkite varantįjį ratą (A), varančiojo disko spyruoklę (B) ir lynelio skriemulį (C). Į skriemulį įkiškite ir pritvirtinkite starterio lynelį. Maždaug 3 kartus skriemulyje apskukite starterio lynelį. Pritvirtinkite lynelio skriemulį prie atmetamosios spyruoklės (D) taip, kad atmetamosios spyruoklės galas užkabintų lynelio skriemulį. Paskui pritvirtinkite starterio lynelio spyruoklę, skriemulį ir lynelio skriemulio varžtą. Starterio lynelį įkiškite per starterio korpuso angą ir starterio rankenėle. Paskui ant starterio lynelio stipriai užriškite mazgą. **(108)**

Spyruoklės įtempimas

- Įstatykite trosą į išpovą starterio skriemulyje ir pasukite skriemulį 2 apsisukimus pagal laikrodžio rodyklę.
Pasizymėkite! Patikrinkite, kad pilnai ištraukus trosą, starterio skriemulį galima būtų pasukti dar bent pusę apsisukimo. (109)

Įtempkite lynelį su rankena. Atitraukite nykštį ir paleiskite lynelį. Žr. toliau esantį paveikslėlį. (110)

Atmetamosios spyruoklės ir varančiojo disko spyruoklės keitimas



Atmetamoji spyruoklė (A)

- Pakeikite starterio skriemulį. Žr. nuorodas Sulūžusio ar nusidėvėjusio starterio trosų pakeitimas. Atsiminkite, kad atmetamoji spyruoklė yra įtampa starterio korpuse.
- Išimkite kasetę su atmetamąja spyruokle iš starterio.
- Sutepinkite atmetamąją spyruoklę plonu alyvos sluoksniu. Įdėkite kasetę su atmetamąja spyruokle į starterį. Įdėkite starterio skriemulį ir įtempkite spyruoklę.

Varančiojo disko spyruoklė (B)

- Atlaisvinkite lynelio skriemulio varžtą ir nukelkite skriemulį ir varančiojo disko spyruoklę.
- Pakeiskite varančiojo disko spyruoklę, o skriemulį pritvirtinkite virš spyruoklės. (111)

Starterio surinkimas

- Surinkite starterį, pirmiausiai ištraukę trosą, o po to pritvirtinę starterį prie užvedimo bloko. Tada iš lėto atleiskite starterio trosą taip, kad jis pradėtų kabinti užvedimo mechanizmą.
- Įstatykite ir priveržkite starterį laikančius varžtus.

Oro filtras



Oro filtras turi būti reguliariai valomas nuo dulkių ir purvo, siekiant išvengti:

- Karbiuratoriaus veikimo sutrikimų
- Užvedimo problemų
- Galingumo sumažėjimo
- Berekalingo variklio detalių dėvėjimosi
- Per didelio kuro sunaudojimo.
- Išardykite oro filtrą nuimdami cilindro apsauginį dangtį ir atsukdami filtrą laikančius varžtus. Surinkdami visada patikrinkite, ar filtras standžiai įstatytas į jo laikiklį. Valykite filtrą šepetėliu arba išpurtydami. (112)

Filtras išsivalys geriau, jei išplausite jį vandeniu ir muilu.

Ilgiau naudotas oro filtras pilnai nebeišsivalo. Todėl jį reikia reguliariai pakeisti nauju. **Pažeistas oro filtras turi būti iš karto pakeičiamas.**

Priklausomai nuo darbo ir oro sąlygų, metų laiko ir kt., HUSQVARNA grandininiam pjūkle gali būti naudojami įvairių tipų oro filtrai. Dėl patarimų kreipkitės į pardavėją.

Žvakė



Žvakės veikimui įtakos turi:

- Neteisingai sureguliuotas karbiuratorius.
- Netinkamas kuro mišinys (per daug ar ne tos rūšies alyva).
- Nešvarus oro filtras.

Dėl šių priežasčių ant žvakės elektrodų susidaro apnašos, kurios sąlygoja veikimo sutrikimus ir problemas užvedimo metu.

Jeigu įrenginys neturi galios, sunku jį užvesti ar jis trūkčioja paleistas laisva eiga, visada pirmiausiai patikrinkite žvakę. Jeigu žvakė nešvari, išvalykite ją ir patikrinkite tarpelį tarp elektrodų, kuris turi būti 0,5 mm. Žvakę reikia pakeisti maždaug po mėnesio darbo arba dar anksčiau. (113)

Pasizymėkite! Visada naudokite rekomenduojamo tipo žvakės! Netinkamo tipo žvakė gali smarkiai sugadinti stūmoklį ir cilindrą. Žiūrėkite, ar žvakė turi taip vadinamą radijo trukdžių slopinimą.

Adatinio guolio tepimas



Sankabos būgnelis turi adatinį guolį prie darbinio veleno. Šį adatinį guolį būtina reguliariai tepti.

Tepant, nuimkite sankabos dangtelį atsukdami dvi juostines veržles. Pjūklą paguldykite ant šono, kad sankabos būgnelis būtų viršuje.

Variklių alyvą lašinkite šalia sankabos būgnelio centro besisukant sankabos būgneliui. (114)

Aušinimo sistema



Siekiant žemiausios galimos variklio darbinės temperatūros, įrenginys turi aušinimo sistemą.

Aušinimo sistemą sudaro:

- Oro padavimo skylė starteryje.
- Oro nukreipimo plokštelė.
- Smagratės su sparneliais.
- Aušinimo flanšai ant cilindro.
- Cilindro gaubtas (paduoda šaltą orą link cilindro). (115)

Kartą per savaitę ar dažniau, priklausymai nuo sąlygų, šepėčiu išvalykite aušinimo sistemą. Jei aušinimo sistema užteršta ar užsikimšusi, įrenginys perkais, o tai gali sugadinti cilindrą ir stūmoklį.

Išcentrinis valymas "Air injection"

Išcentrinis oro valymas reiškia, jog: Visas oras karbiuratoriu yra praleidžiamas per starterį. Aušinimo ventiliatorius nubloškia visus nešvarumus ir dulkes. **(116)**

SVARBU! Jei norite, kad išcentrinis valymas gerai veiktų, reikalinga nuolatinė agregatų priežiūra ir valymas. Išvalykite starterio oro padavimo skylę, ventiliatoriaus sparnelius, detales aplink smagratį, paleidimo kanalą ir karbiuratorių.

Eksploatacija žiemą

Įrenginį naudojant šaltyje bei sningant, gali pablogėti eksploatacinės savybės, kurias sąlygoja:

- Per žemą variklio darbinę temperatūrą.
- Oro filtro ir karbiuratoriaus apledėjimą.

Todėl reikia imtis ypatingų priemonių:

- Šiek tiek sumažinti starterio imamo oro srautą, tuo pačiu pakeliant variklio darbinę temperatūrą.

-5°C arba šaltesnė temperatūra:



Įrenginio naudojimui šaltu oru arba sningant yra sukurta specialiai apsauginė sklendė, tvirtinama prie starterio bloko. Ji sumažina paimamo šalto oro srautą ir trukdo kartu su oru įsiurbti sniegą. **(117)**

PASTABA! Jei prie įrenginio, naudodami jį žemesnėje už normalią temperatūrą, pritvirtinote specialią žieminę apsaugą ar ėmėtės kitų priemonių pakelti variklio darbinei temperatūrai, reikia pareguliuoti standartinius nustatymus. Jei to nepadarysite, variklis gali perkaisti ir sugesti.

SVARBU! Visas kitas šioje instrukcijoje neaprašytas priežiūros funkcijas turi atlikti kvalifikuotas meistras (pardavėjas).

PRIEŽIŪRA

Priežiūros grafikas

Žemiau pateiktas įrenginio priežiūros darbų sąrašas. Daugelis punktų yra aprašyti skyrelyje "Priežiūra".

Kiekvieną dieną	Kiekvieną savaitę	Kiekvieną mėnesį
Išvalykite įrenginį išoriškai.	Kartą į savaitę tikrinkite aušinimo sistemą.	Tikrinkite grandinės stabdžio juostos susidėvėjimo laipsnį. Pakeiskite, jei labiausiai susidėvėjusioje vietoje lieka mažiau nei 0,6 mm.
Patikrinkite, ar saugiai veikia akseleratoriaus gaidukas. Akseleratoriaus gaiduko blokatorius ir akseleratoriaus gaidukas.)	Patikrinkite starterį, starterio lynelį ir atmetamąjį spyruoklę.	Patikrinkite sankabos veleno, būgnelio ir spyruoklės nusidėvėjimą.
Išvalykite grandinės stabdį ir, kaip nurodyta šioje instrukcijoje, patikrinkite jo veikimą. Patikrinkite, ar nesulūžęs grandinės laikiklis, sulūžusį laikiklį pakeiskite.	Patikrinkite, ar vibracijos slopinimo elementai nėra pažeisti.	Išvalykite žvakę. Patikrinkite, tarpelis tarp elektrodų yra 0,5 mm.
Juosta reikia reguliariai apsukti, kad ji dėvėtųsi tolygiai. Patikrinkite, ar tepimui skirta skylė juostoje neužsikimšusi. Išvalykite grandinės išdrožą. Jei juosta yra su galine žvaigždute, ją sutepkite.	Sutepkite sankabos būgnelio guolį.	Išvalykite karbiuratorių išoriškai.
Patikrinkite, ar gerai tepama juosta ir grandinė.	Ant pjovimo juostos briaunų susidariusius nelygumus pašalinkite juos dilde.	Patikrinkite kuro filtrą ir žarną. Jei reikia, pakeiskite.
Patikrinkite pjūklo grandinę dėl matomų įtrūkimų kniedėse ir nareliuose, ar pjūklo grandinė nėra stangi, o kniedės ir nareliai per daug susidėvėję. Jei reikia, pakeiskite.	Išvalykite arba pakeiskite duslintuvo kibirkščių sulaikymo tinklę.	Ištuštinkite kuro bakelį ir išvalykite vidų.
Pagalaškite grandinę, patikrinkite jos įtempimą ir nusidėvėjimą. Patikrinkite, ar nėra nusidėvėjusi grandinės vedančioji žvaigždutė, o jei reikia, pakeiskite.	Išvalykite karbiuratorių ir jo apsaugines detales.	Ištuštinkite alyvos bakelį ir išvalykite vidų.
Išvalykite starterio oro paėmimo angos groteles.	Išvalykite oro filtrą. Jei reikia, pakeiskite.	Patikrinkite visus laidus ir jungtis.
Patikrinkite, ar veržlės ir varžtai yra priveržti.		
Patikrinkite, ar veikia stop mygtukas.		
Patikrinkite, ar nėra kuro nutekėjimo iš variklio, bako ar kuro žarnelių.		
Patikrinkite, ar grandinė nesisuka, kai variklis veikia tuščia eiga.		

TECHNINIAI DUOMENYS

Techniniai duomenys

	435 II	435e II	440 II	440e II
Variklis				
Cilindro tūris, cm ³	40,9	40,9	40,9	40,9
Cilindro diametras, mm	41	41	41	41
Stūmoklio eiga, mm	31	31	31	31
Laisvosios eigos apsisukimai, aps./min	2900	2900	2900	2900
Galingumas, kW/ aps./min	1,6/9000	1,6/9000	1,8/9000	1,8/9000
Degimo sistema				
Žvakė	NGK BPMR 7A/ Champion RCJ 7Y	NGK BPMR 7A/ Champion RCJ 7Y	NGK BPMR 7A/ Champion RCJ 7Y	NGK BPMR 7A/ Champion RCJ 7Y
Tarpas tarp elektrodų, mm	0,5	0,5	0,5	0,5
Kuro / tepimo sistema				
Benzino bakelio tūris, litrai	0,37	0,37	0,37	0,37
Alyvos siurblio našumas, kai apsisukimai 9000 r/min, ml/min	13	13	13	13
Alyvos bako talpa, litrai	0,25	0,25	0,25	0,25
Alyvos siurblio tipas	Automatinis	Automatinis	Automatinis	Automatinis
Svoris				
Grandininis pjūklas be pjovimo juostos, grandinės ir tuščiaais kuro bakais, kg	4,2	4,4	4,2	4,4
Triukšmo emisijos (žr. 1 pastabą)				
Garso stiprumo lygis, išmatuotas dB(A)	112	112	113	113
Garso stiprumo lygis, garantuotas L _{WA} dB(A)	114	114	114	114
Garso lygiai (žr. 2 pastabą)				
Tolygus garso spaudimo naudotojo ausiai lygis, dB(A)	102	102	102	102
Ekvivalentiški vibracijos lygiai, a_{hveq} (žr. 3 pastabą)				
Priekinėje rankenoje, m/s ²	2,5	2,5	2,5	2,5
Užpakalinėje rankenoje, m/s ²	3,2	3,2	3,2	3,2
Grandinė/pjovimo juosta				
Standartinis juostos ilgis, coliai/cm	13"/33	13"/33	13/33	13"/33
Rekomenduojamas juostos ilgis, coliai/cm	13–18/33–45	13–18/33–45	13–18/33–45	13–18/33–45
Vartojamas pjovimo ilgis, coliai/cm	12–17/31–43	12–17/31–43	12–17/31–43	12–17/31–43
Žingsnis, coliai/mm	0,325/8,25	0,325/8,25	0,325/8,25	0,325/8,25
Varančiosios grandies storis, coliai/mm	0,050/1,3	0,050/1,3	0,050/1,3	0,050/1,3
Varančiosios žvaigždutės tipas / dantų skaičius	Spur/7	Spur/7	Spur/7	Spur/7
Grandinės greitis esant 133 proc. didžiausios galimos variklio galios (m/sek.)	23,1	23,1	23,1	23,1

1 pastaba: Triukšmo emisija į aplinką išmatuota kaip garso stiprumas (L_{WA}) pagal EB direktyvą 2000/14/EB.

2 pastaba: Pagal ISO 22868 ekvivalentiškas triukšmo slėgio lygis apskaičiuojamas kaip skirtingų triukšmo slėgio lygių įvairiomis darbo sąlygomis dinaminės svertinės energijos suma. Tipiška ekvivalentiško triukšmo slėgio lygio statistinė sklaida turi standartinį 1 dB (A) nuokrypį.

3 pastaba: Pagal ISO 22867 ekvivalentiškas vibracijos lygis apskaičiuojamas kaip vibracijos lygių įvairiomis darbo sąlygomis dinaminės svertinės energijos suma. Pateiktas ekvivalentiškos vibracijos lygis turi 1 m/s² tipišką statistinę sklaidą (standartinį nuokrypį).


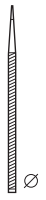
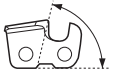
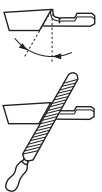

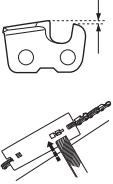
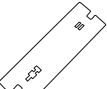
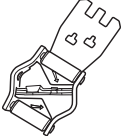
TECHNINIAI DUOMENYS

Pjovimo juostų ir grandinių deriniai

Šie pjovimo įtaisai yra skirti šioms Husqvarna modeliams: 435 II, 435e II, 440 II ir 440e II.

Juosta				Pjūklas grandinė	
Ilgis, coliai	Žingsnis, coliai	Pjovimo plotis, mm	Maksimalus juostos žvaigždutės dantukų skaičius	Tipas	Ilgis, varantieji nareliai (vnt.)
13	0,325	1,3	10T	Husqvarna H30	56
15					64
16					66
18					72

Pjovimo grandinės galandimas ir galandimo šablonai.

							
H30	3/16 / 4,8	85°	30°	10°	0,025 / 0,65	5056981-00	5056981-08

EB patvirtinimas dėl atitikimo (galioja tik Europoje)

Husqvarna AB, SE-561 82 Huskvarna, Švedija, tel: +46-36-146500, šiuo patvirtina, kad 2013 m. bei vėlesnių serijų numerių medžių priežiūros grandininiai pjūklai **Husqvarna 435 II, 435e II, 440 II ir 440e II** (metali nurodomi aiškiu tekstu ant tipo plokštelės, po to nurodomas serijos numeris) atitinka taisyklės TARYBOS DIREKTYVOJE:

- Direktyva **2006/42/EB** (2006 m. gegužės 17 d.), „Dėl mašinų“
- 2004 m. gruodžio 15 d. „dėl elektromagnetinio atitikimo“ **2004/108/EEC**.
- 2000 m. gegužės 8 d. „dėl triukšmo emisijos į aplinką“ **2000/14/EB**.

Dėl informacijos apie triukšmo emisijas žr. skyrių Techniniai duomenys. Pritaikyti šie standartai:

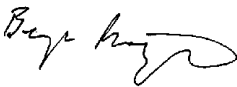
EN ISO 12100:2010, ISO 14982:2009, EN ISO 11681-1:2011

Užklausta tarnyba: **0404, SMP Svensk Maskinprovning AB**, Box 7035, SE-750 07 Uppsala, Švedija, atliko EB tipo kontrolę pagal mašinų direktyvos (2006/42/EB) 12 straipsnio 3b paragrafą. Pažymų dėl EB tipo kontrolės pagal IX priedą numeriai: **0404/09/2012** - 435 II, 435e II, 440 II, 440e II.

Be to, SMP Svensk Maskinprovning AB, Box 7035, SE-750 07 Uppsala, Švedija, patvirtino susitarimą priedu V tarybos direktyvai 2000 m. gegužės 8 d. „dėl triukšmo emisijos į aplinką“ 2000/14/EB. Sertifikatų numeriai: **01/161/075** - 435 II, 435e II, **01/161/074** - 440 II, 440e II.

Pristatytas grandininis pjūklas atitinka EB tipo kontrolę praėjusį pavyzdį.

Husqvarna 2013 m. balandžio 8 d.



Bengt Frögelius, Vystymo vadovas Grandininis pjūklas (Igaliotas Husqvarna AB atstovas ir atsakingas už techninę dokumentaciją.)

KAJ POMENIJO SIMBOLI

Simboli na stroju:

OPOZORILO! Motorna žaga je lahko nevarna! Površna ali napačna uporaba lahko povzroči resne telesne poškodbe in celo smrt uporabnika ali navzočih oseb.

Natančno preberite navodila za uporabo in se prepričajte, da ste jih razumeli, predno začnete z uporabo stroja.

Pri delu vedno uporabljajte:

- Atestirano zaščitno čelado
- Atestirane zaščitne slušalke
- Zaščitna očala ali vezir

Izdelek je v skladu z veljavnimi CE predpisi.

Emisija hrupa v okolico v skladu z direktivo Evropske skupnosti. Emisija stroja je podana v poglavju Tehnični podatki in na nalepki.

Vžig; Čok: Ročico za čok potegnite v položaj za čok. Izključno stikalo se bo avtomatično premaknilo v startni položaj.

Dolijte gorivo.

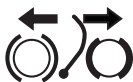
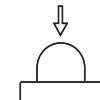
Polnjenje verižnega olja.

Črpalka za gorivo.

Nastavitev oljne črpalke.

Zavora verige, aktivirana (desna)
Zavora verige, neaktivirana (leva)

Ostali simboli in oznake na stroju se nanašajo na specifične zahteve za certifikacijo, ki veljajo na nekaterih tržiščih.



Oznake v navodilih za uporabo:

Pred preverjanjem ali vzdrževanjem izključite motor. POZOR! Stikalo za zagon/zaustavitev se samodejno povrne v začetni položaj. Da bi preprečili nenamenski zagon morate pri sestavljanju, preverjanju in/ali vzdrževanju iz svečke odstraniti pokrov.



Vedno uporabljajte atestirane zaščitne rokavice.



Stroj je potrebno redno čistiti.



Pregled s prostim očesom.



Obvezna uporaba zaščitnih očal ali vezirja.



Dolijte gorivo.



Dolijte olje in nastavite dotok olja.



Zavora verige mora biti vklopljena, ko vžgete motorno žago.



OPOZORILO! Do odsunka lahko pride, ko vrh meča pride v stik s predmetom. Pride do reakcije, ki sune meč naprej in nazaj proti uporabniku. Posledica tega je lahko resna osebna poškodba.



Vsebina

KAJ POMENIJO SIMBOLI

Simboli na stroju:	373
Oznake v navodilih za uporabo:	373

VSEBINA

Vsebina	374
---------------	-----

UVOD

Spoštovani kupec!	375
-------------------------	-----

KAJ JE KAJ?

Kaj je kaj na motorni žagi?	375
-----------------------------------	-----

SPLOŠNA NAVODILA ZA VARNOST

Postopek pred prvo uporabo nove motorne žage	376
Pomembno	376
Zmeraj uporabljajte zdrav razum	377
Osebnna zaščitna oprema	377
Varnostna oprema stroja	377
Rezila	379

MONTAŽA

Montaža meča in verige	382
------------------------------	-----

RAVNaNJE Z GORIVOM

Pogonsko gorivo	383
Točenje goriva	384
Varna uporaba goriva	384

VŽIG IN IZKLOP

Vžig in izklop	385
----------------------	-----

DELOVNA TEHNIKA

Pred vsako uporabo:	386
Splošna navodila za delo	386
Preprečevanje odsunka	389

VZDRŽEVANJE

Splošno	390
Nastavitev uplinjača	390
Kontrola, vzdrževanje in servis varnostne opreme motorne žage	390
Dušilec	391
Zaganjalnik	391
Zračni filter	392
Svečka	392
Mazanje igličastega ležaja	392
Hladilni sistem	392
Centrifugalno čiščenje "Air Injection"	393
Uporaba v zimskih razmerah	393
Urniki vzdrževanja	394

TEHNIČNI PODATKI

Tehnični podatki	395
Kombinacije meča in verige	396
Brušenje žage in šablone	396
ES-Izjava o skladnosti	396

Spoštovani kupec!

Čestitamo Vam, ker ste izbrali Husqvarna–izdelek! Husqvarna ima zgodovinski izvor že v letu 1689, ko je kralj Karl XI dal postaviti tovarno na bregu reke Huskvarna, kjer so izdelovali muškete. Izbor mesta ob reki Huskvarna je bil logičen, saj je reka ustvarjala vodno silo, kar pomeni, da je dajala vodno energijo. V obdobju več kot 300 let, od kar obstaja tovarna Husqvarna, je bilo izdelano neskončno veliko število različnih izdelkov; vse od štedilnikov na drva do modernih gospodinjskih strojev, šivalnih strojev, koles, motornih koles itd. Leta 1956 je bila lansirana prva motorna kosilnica, ki ji je leta 1959 sledila prva motorna žaga in na tem področju deluje Husqvarna še danes.

Husqvarna je danes eden od vodilnih svetovnih proizvajalcev izdelkov za delo v gozdu in na vrtu, kakovost in učinkovitost izdelkov pa imajo prvo prioriteto. Tržna ideja je razvoj, izdelava in trženje izdelkov na motorni pogon, namenjenih delu v gozdu in na vrtu ter izdelkov za gradbeno in strojno industrijo. Cilj Husqvarne je tudi, da je vodilna na področju ergonomije, prilagojenosti uporabniku, varnosti in varstvu okolja, zaradi česar smo uvedli dolgo vrsto fines z namenom, da izboljšamo izdelke prav na teh področjih.

Prepričani smo, da boste z zadovoljstvom cenili kakovost in učinkovitost našega izdelka mnogo prihodnjih let. Nakup enega od naših izdelkov vam daje dostop do profesionalne pomoči kar se tiče popravil in servisa, če bi se vseeno kaj pripetilo. Če prodajalna, kjer ste stroj kupili, ni ena od naših pooblaščenih prodajaln, vprašajte, kje je najbližja pooblaščen delavnica.

Upamo, da boste zadovoljni z Vašim strojem in da bo stroj Vaš spremljevalec mnogo prihodnjih let. Pomnite, da so ta navodila za uporabo vrednostni papir. Če boste sledili vsebini navodil (uporaba, servis, vzdrževanje itd.), boste pomembno podaljšali življenjsko dobo stroja, kakor tudi ceno rabljenega stroja. Če boste stroj prodali, poskrbite, da bo novi lastnik dobil pripadajoča navodila za uporabo.

Zahvaljujemo se Vam, da uporabljate Husqvarna izdelek.

Husqvarna AB nenehno razvija in izpopolnjuje svoje izdelke in si zato pridržuje pravico sprememb v, na primer, obliki in izgledu brez predhodnega opozorila.

Kaj je kaj na motorni žagi? (1)

- 1 Ohišje cilindra
- 2 Črpalka za gorivo.
- 3 Opomnik za zagon
- 4 Kombinirano stikalo za zagon in zaustavitev
- 5 Zadnji ročaj
- 6 Informacije in varnostna opozorila
- 7 Posoda za gorivo
- 8 Vijaki za nastavitvev, uplinjač
- 9 Startna ročica
- 10 Zaganjalnik
- 11 Posoda za olje verige
- 12 Ploščica s serijsko številko izdelka
- 13 Označba za smer padca
- 14 Sprednji ročaj
- 15 Ščitnik odsunka
- 16 Dušilec
- 17 Veriga
- 18 Sprednji zobnik
- 19 Meč
- 20 Opora
- 21 Lovilec verige
- 22 Vijak za napenjanje verige (435 II, 440 II)
- 23 Ohišje sklopke (435 II, 440 II)
- 24 Ščitnik desne roke
- 25 Uravnavanje plina
- 26 Zapora plina
- 27 Ohišje sklopke (435e II, 440e II)
- 28 Kolesček za napenjanje verige
- 29 Gumb
- 30 Navodila za uporabo
- 31 Kombinirani ključ
- 32 Ščitnik meča

SPLOŠNA NAVODILA ZA VARNOST

Postopek pred prvo uporabo nove motorne žage

- Natančno preberite navodila.
- **(1) – (117)** glejte skice na strani 2–6.
- Preglejte, kako so rezila montirana in nastavljena. Glejte navodila v poglavju Montaža.
- Napolnite in zaženite verižno žago. Glej navodila pod naslovom Rokovanje z gorivom ter Zagon in zaustavitev.
- Žage ne uporabljajte, dokler veriga ni dovolj naoljena. Glejte navodila v poglavju Rezila.
- Dolgotrajna izpostavljenost hrupu lahko povzroči trajne okvare sluha. Zato vedno nosite odobreno zaščitno opremo za ušesa.



OPOZORILO! Brez predhodnega dovoljenja proizvajalca ne smete nikoli spreminjati prvotne izvedbe stroja. Vedno uporabljajte izključno originalne dele. Spremembe brez pooblastila in/ali neoriginalni deli lahko povzročijo resne poškodbe ali smrt uporabnika in drugih.



OPOZORILO! Motorna žaga je ob napačni in malomarni uporabi nevarno orodje, ki povzroča resne ali celo smrtno nevarne poškodbe. Zato je zelo pomembno, da natančno preberete vsa navodila za uporabo in se poglobite v njih.



OPOZORILO! Notranjost dušilca vsebuje snovi, ki so lahko rakotvorne. Če je dušilec poškodovan, se izogibajte stiku z njegovimi deli.



OPOZORILO! Vdihovanje izpušnih plinov motorja, meglice olja za verigo in prahu žagovine v daljšem časovnem razdobju je lahko zdravju nevarno.



OPOZORILO! Stroj med delovanjem proizvaja elektromagnetno polje. To polje lahko v nekaterih pogojih interferira z aktivnimi ali pasivnimi medicinskimi vsadki. Da bi zmanjšali nevarnost resne ali smrtno poškodbe, priporočamo, da se osebe z medicinskimi vsadki pred uporabo stroja posvetujejo s svojim zdravnikom in s proizvajalcem vsadka.



OPOZORILO! Nikoli ne dovolite otrokom, da uporabljajo napravo ali, da so v njeni bližini. Ker je naprava opremljena z vzmetnim stikalom za izklop jo lahko že z majhno hitrostjo in silo vključite, kar pomeni, da lahko tudi majhni otroci v določenih okoliščinah zaženejo napravo. To lahko pomeni tveganje resne osebne poškodbe. Zaradi tega odstranite pokrivalo za svečko, ko naprave ne morete natančno nadzorovati.

Pomembno

POMEMBNO!

Ta verižna žaga za gozdna opravila je izdelana za opravljanje del v gozdu, kot so podiranje, kleščenje in žaganje.

Uporabo tega stroja morda ureja državna zakonodaja.

Uporabite lahko samo kombinacije meča/verige, ki jih priporočamo v razdelku Tehnični podatki.

Nikoli ne uporabljajte stroja, če ste utrujeni, pod vplivom alkohola ali jemljete druge droge ali zdravila, ki lahko vplivajo na vaš vid, presojo in koordinacijo.

Pri delu vedno uporabljajte osebno zaščitno opremo. Glejte navodila v poglavju Oseba zaščitna oprema.

Nikoli ne spreminjajte naprave tako, da ni v skladu z izvorno zgradbo in je ne uporabljajte, če mislite, da jo je spremenil nekdo drug.

Ne uporabljajte pokvarjenega stroja. Upošteвайте varnostna navodila ter navodila za vzdrževanje in servis, navedena v tem priročniku. Nekatero vrsto vzdrževalnih del in popravil lahko opravi samo za to usposobljeno strokovno osebje. Glejte navodila v poglavju Vzdrževanje.

Uporabljajte izključno pribor, ki ga priporočamo. Glejte navodila v poglavjih Rezila in Tehnični podatki.

POZOR! Zmeraj uporabljajte zaščitna očala ali zaščito za obraz, da zmanjšate tveganje za poškodbe od letečih predmetov. Verižna žaga lahko z veliko hitrostjo izvrže predmete kot so lesni opilki, delčki lesa, itd. To lahko pomeni resne poškodbe, še posebej za oči.



OPOZORILO! Če je motor v pogonu v zaprtem ali slabo zračenem prostoru, lahko le to povzroči smrt z zadušitvijo ali z zastrupitvijo z ogljikovim monoksidom.



OPOZORILO! Pokvarjena rezalna oprema ali nepravilna kombinacija meča in verige lahko poveča nevarnost odsunka! Sledite navodilom in uporabite le tiste kombinacije meča/verige, ki jih priporočamo. Glej navodila pod naslovom Vzdrževanje.

SPLOŠNA NAVODILA ZA VARNOST

Zmeraj uporabljajte zdrav razum (2)

Ni možno opisati vseh situacij, ki se lahko zgodijo pri uporabi verižne žage. Zmeraj bodite pazljivi in uporabljajte zdrav razum. Izogibajte se situacijam za katere menite, da so izven vaših zmožnosti. Če ste po branju teh navodil še vedno negotovi o delovnih postopkih se pred nadaljevanjem posvetujte z izvedencem. V vsakem primeru kontaktirajte vašega prodajalca, če imate še kakršnakoli vprašanja glede uporabe žag. Z veseljem vam bomo pomagali in svetovali ter pomagali, da boste verižno žago uporabljali učinkovito in varno. Če je možno se udeležite usposabljanja za uporabo žage. Vaš prodajalec, lesna šola ali knjižnica vam lahko posredujejo informacije o usposabljanjih in literaturi, ki so na voljo. Nenehno delamo na izboljšavah zgradbe in tehnologije – izboljšave, ki povečajo vašo varnost in učinek. Redno obiskujte vašega prodajalca, da preverite kakšno korist lahko imate od novih prednosti, ki bile vpeljene.

Osebna zaščitna oprema



OPOZORILO! Večino nesreč z motornimi žagami povzročijo veriga, ki udari uporabnika. Ob vsaki uporabi stroja uporabljajte vedno atestirano osebno zaščitno opremo. Osebna zaščitna oprema ne izključuje nevarnosti poškodb, vendar pa v primeru nesreče omili posledice. Pri izbiri zaščitne opreme se posvetujte z vašim trgovcem.

- Atestirano zaščitno čelado
- Zaščitne slušalke
- Zaščitna očala ali vezir
- Zaščitne rokavice za žaganje
- Zaščitne hlače
- Zaščitni škornji za žaganje z jeklenimi konicami in nedrsečimi podplati
- Pri delu imejte vedno pri sebi pribor za prvo pomoč.
- Gasilni aparat in lopata

Oblačila naj bodo oprjeta, vendar ne toliko, da vas bodo ovirala pri gibanju.

POMEMBNO! Iz dušilca, meča, verige ali drugega izvora lahko pride do iskrjenja. Opremo za gašenje imejte zmeraj pri roki v primeru, da bi jo potrebovali. Tako lahko preprečite gozdne požare.

Varnostna oprema stroja

V tem razdelku so razložene varnostne prednosti in funkcije naprave. V zvezi s pregledovanjem in vzdrževanjem, glejte navodila pod naslovom Pregledovanje, vzdrževanje in popraviljanje varnostne opreme žage. Glej navodila pod naslovom "Kaj je kaj?", da izveste kje se nahajajo komponente na napravi.

Opustitev pravnega vzdrževanja stroja in nestrokovno servisiranje/popravila lahko skrajšajo življenjsko dobo stroja in

povečajo nevarnost nesreč. Dodatne informacije lahko dobite v najbližji servisni delavnici.



OPOZORILO! Nikoli ne uporabljajte naprave s pokvarjenimi varnostnimi komponentami. Varnostna oprema mora biti pregledana in vzdrževana. Glej navodila pod naslovom Pregledovanje, vzdrževanje in popraviljanje varnostne opreme žage. Če stroj ne preстане vseh testov ga odnesite na servis na popravilo.

Zavora verige s ščitnikom

Verižna žaga je opremljena z zavoro, ki je narejena tako, da v primeru odsunka zaustavi verigo. Zavora za žago zmanjša nevarnost nesreč, ampak nesreče lahko preprečite samo vi.

(3)

Pri delu z žago bodite previdni in poskrbite, da usmernik odbojnega dela meča ne pride v stik s kakšnim predmetom.

(4)

- Zavora za žago (A) lahko aktivirate ročno (z levo roko) ali pa z vztrajnostnim sprostilnim mehanizmom. (5)
- Zavoro aktiviramo s tem, da ščitnik odsunka (B) potisnemo naprej. (5)
- Ta premik sproži vzmetni mehanizem, ki napne zavorni trak (C) okoli motorjevega pogonskega sistema verige (D) (boben sklopke). (6)
- Ščitnik odsunka ne služi le za aktiviranje zavore verige. Njegova druga pomembna varnostna naloga je, da zmanjšuje nevarnost poškodb leve roke, če nehote izpustite prednji ročaj.
- Zavora za žago mora biti pred zagonom naprave aktivirana, da se prepreči rotiranje. (55)
- Zavoro za žago uporabljajte kot »parkirno zavoro«, ko začenjate ali ko se premikate, da preprečite nesreče, ki bi se lahko zgodile, če bi se veriga po nesreči dotaknila nečesa ali nekoga v bližini. Žage ne pustite dalj časa prižgane z aktivirano zavoro. Žaga se lahko zelo segreje.
- Zavoro verige sprostimo tako, da potegnemo nazaj proti prednjemu ročaju prednji ščitnik z oznako "POTEGNI NAZAJ ZA RESETIRANJE".
- Odsunek meča je lahko bliskovito nenaden in izredno močan. V večini primerov je povratni udarec šibek in ne sproži zavore verige. V takšnih primerih je pomembno, da žago čvrsto držite in da je ne izpustite.
- Način, kako se bo zavora verige sprožila, ročno ali samodejno, je odvisen od sile odsunka in od položaja žage glede na predmet, ki se ga dotakne usmernik odboja meča. Če pride do hudega odsunka medtem ko je območje odsunka meča najdalje od vas se bo aktivirala zavora žage s premikom protiteže (vztrajnostno aktiviranje) v smeri odsunka. (7)
- Če je odsunek šibkejši, ali če je odbojno območje meča blizu uporabnika, je potrebno zavoro verige sprožiti ročno z levo roko.
- V položaju podiranja se leva roka nahaja v položaju iz katerega je nemogoče ročno aktiviranje zavore. Pri tej drži, tj. ko se leva roka nahaja v položaju, ki ne vpliva na

SPLOŠNA NAVODILA ZA VARNOST

premikanje varovala za roko, se zavora za žago lahko aktivira samo z vztrajnostnim učinkom. (8)

Ali bo moja roka v primeru odsunka zmeraj aktivirala zavoro za žago?

Ne. Potrebna je določena sila, da se varovalo za odsunek premakne naprej. Če se roka samo narahlo dotakne varovala za odsunek se lahko zgodi, da sila ni dovolj močna, da aktivira zavoro za žago. Pri delu morate močno držati ročaj verižne žage. Če v tem primeru pride do odsunka mogoče ne boste spustili roke iz sprednjega ročaja in ne boste aktivirali zavore za žago ali se pa zavora ne bo aktivirala, dokler se žaga ne obrne okoli. V takšni situaciji se lahko zgodi, da zavora ne uspe zaustaviti verige preden se ta dotakne vas.

V nekaterih delovnih položajih se lahko zgodi, da roka ne doseže varovala za odsunek, da bi aktivirala zavoro; na primer, ko žago držite v položaju podiranja.

Ali se bo zavora zmeraj vztrajnostno aktivirala, ko pride do odsunka?

Ne. Prvič, zavora mora delovati. Preizkušanje zavore je enostavno, glej navodila pod naslovom Pregledovanje, vzdrževanje in popraviljanje varnostne opreme žage. Priporočamo vam, da to zmeraj izvedete preden začnete delati. Drugič, odsunek mora biti dovolj močan, da aktivira zavoro za žago. Če bi zavora za žago bila preveč občutljiva bi se zmeraj aktivirala, kar pa bi bilo težavno.

Ali bo me zavora za žago v primeru odsunka zmeraj varovala pred poškodbami?

Ne. Zavora mora delovati, da bi lahko nudila zaščito. Drugič, mora biti aktivirana kot je opisano zgoraj, da zaustavi žago v primeru odsunka. Tretjič, zavora se lahko aktivira, ampak če je meč preblizu vas se lahko zgodi, da zavora ne uspe upočasniti in ustaviti verigo prede se le-ta dotakne vas.

Samo vi in pravilna delovna tehnika lahko izničite odsunek in njegove posledice.

Zapora plina

Varnostna zapora plinske ročice je zasnovana tako, da plinske ročice ni mogoče neprostovoljno aktivirati. Ko pritisnete zaporo (A) (ko držite ročaj), se sprostijo plinska ročica (B). Ko sprostite ročico se plinska ročica in zapora za plinsko ročico pomakneta v svoj izvorni položaj. To pomeni, da je plinska ročica v prostem teku samodejno zaprta. (9)

Lovilec verige

Lovilec verige je zasnovan tako, da ujame verigo, če se veriga strga ali sname. Če je veriga pravilno napeta, se temu lahko izognemo (glejte navodila v poglavju Montaža). Temu se izognemo tudi, če verigo in meč pravilno vzdržujemo (glejte poglavje Splošna navodila za delo). (10)

Ščitnik desne roke

Ščitnik desne roke varuje roko v primeru, če se veriga strga ali sname in obenem zagotavlja, da vejevje ne ovira prijemna zadnjega ročaja. (11)

Sistem dušenja tresljajev

Vaš stroj je opremljen s sistemom dušenja vibracij, ki je zasnovan tako, da tresljaje ublaži na najmanjšo možno stopnjo in vam s tem olajša delo.

Sistem za dušenje vibracij ublaži tresljaje, ki se z motorja in verige prenašajo na ročaja stroja. Telo žage, vključno z rezno opremo, je povezano z ročaji preko tako imenovanega elementa za dušenje vibracij.

Pri žaganju trdega lesa (večina listavcev) so tresljaji močnejši kot pri žaganju mehkega lesa (večina iglavcev). Uporaba tope ali neprimerne verige (nepravi tip ali nepravilno nabrušena veriga) tresljaje še okrepi.



OPOZORILO! Pri ljudeh, ki imajo težave s krvnim obtokom, lahko pretirana izpostavljenost tresljajem povzroči poškodbe ožilja ali živčevja. Če opazite znamenja pretirane izpostavljenosti tresljajem, se posvetujte z zdravnikom. Takšna znamenja so: odrevenelost udov, izguba občutka za dotik, »ščemenje«, »zbadanje«, bolečina, oslabelost ter spremembe v barvi ali na površini kože. Običajno se pojavijo v prstih, na rokah ali na zapestjih. Nevarnost sprememb je večja ob delu pri nizkih temperaturah.

Izklopno stikalo

Izklopno stikalo uporabljamo za izklop motorja. (12)

Dušilec

Dušilec je zasnovan tako, da zmanjšuje hrup na najmanjšo možno mero in istočasno odvaja izpušne pline v smeri od uporabnika.



OPOZORILO! Izpušni plini so vroči in lahko vsebujejo iskre, ki lahko povzročijo požar. Zato stroja nikoli ne vžigajte v zaprtih prostorih ali v bližini vnetljivih snovi!

V deželah z vročim in suhim podnebjem je velika nevarnost gozdnih požarov. Nekatere zakonodaje in zahteve v teh deželah zahtevajo, da mora biti med drugim dušilec opremljen z "mrežico za lovljenje isker". (13)

Pri nameščanju mrežice pazite, da vstavite mrežico v pravilni položaj. Po potrebi uporabite kombiniran ključ za vstavljanje ali odstranjevanje mrežice.

POZOR! Med uporabo postane dušilec zelo vroč. To velja tudi v primeru prostega teka. Bodite pozorni na nevarnost požarov, še posebej, ko delate v bližini vnetljivih substanc in/ali plinov.

SPLOŠNA NAVODILA ZA VARNOST



OPOZORILO! Nikoli ne uporabljajte žage, če je dušilec poškodovan ali ga pa ni. Pokvarjen dušilec poveča glasnost in nevarnost požara. Opremo za gašenje imejte pri roki. Nikoli ne uporabljajte žage brez ali s poškodovano mrežico za lovljenje isker, če je njena uporaba obvezna.

Rezila

To poglavje obravnava kako s pravilno izbiro in vzdrževanjem rezil dosežete:

- Zmanjšate nevarnost odsunkov.
- Zmanjšajte nevarnost zaustavljanja ali poskakovanja žage.
- Dosežite optimalen učinek žaganja.
- Podaljšate življenjsko dobo rezil.
- Izogibajte se povečanim nivojem vibracij.

Splošna pravila

- **Uporabljajte samo rezila, ki jo priporočamo!** Glej navodila pod naslovom Vzdrževanje.
- **Rezni zobje verige naj bodo dobro in pravilno nabrušeni! Upošteвайте navodila za brušenje in uporabljajte brusilno šablono, ki jo priporočamo.** Poškodovana ali napačno nabrušena veriga povečuje nevarnost nesreč.
- **Vzdržujte pravilen razmik! Sledite našim navodilom in uporabite priporočeno šablono.** Prevelik razmik poveča nevarnost odsunka.
- **Veriga naj bo pravilno napeta!** Ohlapna veriga se rada sname in se hitreje obrabi, povzroča pa tudi večjo obrabo meča in pogonskega zobnika.
- **Oprema za rezanje mora biti dobro namazana in pravilno vzdrževana!** Slabo mazana veriga se hitreje strga in obrabi, povzroča pa tudi večjo obrabo meča in pogonskega zobnika.

Rezalna oprema, narejena, da zmanjša odsunek



OPOZORILO! Pokvarjena rezalna oprema ali nepravilna kombinacija meča in verige lahko poveča nevarnost odsunka! Sledite navodilom in uporabite le tiste kombinacije meča/verige, ki jih priporočamo. Glej navodila pod naslovom Vzdrževanje.

Odsunku se izognemo samo, če pri delu pazimo, da odbojni del meča ne zadene ob kakšen predmet.

Moč odsunka lahko zmanjšamo z uporabo rezil, ki imajo "vgrajeno" zaščito pred odsunkom, kot tudi tako, da uporabljamo samo dobro nabrušeno in vzdrževano verigo.

Meč

Čim manjši je premer vrha, tem manjša je nevarnost odsunka.

Veriga

Veriga je sestavljena iz členov v standardni izvedbi in v izvedbi, ki zmanjšuje odsunek.

POMEMBNO! Nobena žaga ne odstrani nevarnosti odsunka.



OPOZORILO! Kakršenkoli stik z rotirajočo se žago lahko povzroči resne poškodbe.

Nekaj izrazov, ki opisujejo meč in verigo

Da bi vzdrževali vse varnostne prednosti rezalne opreme morate obrabljene ali poškodovane kombinacije meča/verige zamenjati z mečem ali verigo, ki jih priporoča Husqvarna. Glejte navodila v razdelku Tehnični podatki o kombinacijah meča/verige, ki jih priporočamo.

Meč

- Dolžina (cole/cm)
- Število zob na sprednjem zobniku (T).
- Korak verige (=pitch) (v colah). Presledek med pogonskimi členi verige se mora ujemati z razmikom zob na sprednjem in pogonskem zobniku. **(14)**
- Število pogonskih členov (kos). Število pogonskih členov je določeno z dolžino meča, korakom verige in številom zob prednjega zobnika.
- Širina žleba (cole/mm). Širina žleba na meču mora ustrezati širini pogonskih členov verige.
- Odprtina za olje za verigo in odprtina za napenjalnik verige. Meč mora ustrezati konstrukciji motorne žage. **(15)**

Veriga

- Korak verige (=pitch) (cole) **(14)**
- Širina pogonskega člana (mm/cole) **(16)**
- Število pogonskih členov (kos) **(17)**

Brušenje verige in nastavljanje razmika šablone

Splošno o brušenju reznih zob

- Nikoli ne uporabljajte tope verige. Če je veriga topa morate uporabiti več pritiska, da potisnete meč skozi les in vreznine bodo zelo majhne. Z zelo topo verižno žago sploh ne morete žagati. Rezultat tega bo le žagovina.
- Ostra veriga zdrsnje skozi les in dela dolge in tanke vreznine.
- Rezalni del žage se imenuje rezalni člen in je sestavljen iz rezalnega zoba (A) in stene (B). Globina reza je določena z razliko med višino obeh. **(18)**

Pri ostrenju rezalnega zoba si morate zapomniti štiri pomembne faktorje.

- 1 Kot brušenja **(19)**
- 2 Kot rezanja **(20)**
- 3 Položaj pile **(21)**
- 4 Premer okrogle pile

Z nepravilno opremo je zelo težko pravilno zbrusiti verigo. Priporočamo vam, da uporabite našo šablono za brušenje. Tako boste vzdrževali največje zmanjšanje odsunka in učinek rezanja vaše žage. **(22)**

Za informacije o brušenju žage pogledjte navodila v razdelku Tehnični podatki.

SPLOŠNA NAVODILA ZA VARNOST



OPOZORILO! Če se ne držite navodil za brušenje se lahko poveča nevarnost odsunka.

Brušenje reznega zoba



Za brušenje rezalnega zoba potrebujete okroglo pilo in šablono za brušenje. Za informacije o velikosti pile in šablone, ki so priporočljive za vašo žago pogledajte navodila v razdelku Tehnični podatki.

- Poskrbite, da je veriga pravilno napeta. Ohlapno verigo je težko pravilno nabrusiti.
- Rezne zobe vedno pilite od notranje strani navzven. Pri povratnem potegu pile zmanjšajte pritisak nanjo. Najprej nabrusite vse zobe na eni strani, nato obrnite žago in nabrusite tudi zobe na nasprotni strani.
- Vse zobe spilita na isto dolžino. Ko se dolžina reznih zob zmanjša na 4 mm (5/32"), je veriga izrabljena in jo je potrebno zamenjati. **(23)**

Splošni napotki za nastavljanje razmika

- Z brušenjem rezalnega zoba zmanjšate razmik (globino reza). Za vzdrževanje učinka rezanja morate zbrusiti zob do priporočene višine. Za pravilen razmik za vašo žago pogledajte navodila v razdelku Tehnični podatki. **(24)**



OPOZORILO! Če je razmik prevelik se poveča nevarnost odsunka!

Nastavitev razmika



- Pred nastavljanjem ramika morajo biti rezalni zobje nabruseni. Priporočamo vam, da razmik nastavite pri vsakem tretjem brušenju verige. **OPOMBA!** Priporočilo sklepa, da je dolžina rezalnega zoba ni preveč zmanjšana.
- Za nastavitev razmika boste potrebovali ravno pilo in šablono. Priporočamo vam, da za razmik uporabite našo šablono, saj s tem vzdržujete pravilen razmik in pravilen kot.
- Položite šablono na verižno žago. Informacije o uporabi šablone lahko najdete na embalaži. Uporabite ravno pilo, da zbrusite presežek. Razmik je pravilen, ko več ne čutite odpora, ko povlečete pilo preko šablone. **(25)**

Napenjanje verige



OPOZORILO! Ohlapna veriga se lahko sname in povzroči resno poškodbo, ki je lahko celo smrtno nevarna.

Veriga se z uporabo nateguje in postaja vse daljša, zato je pomembno, da jo redno napenjate in tako odpravite ohlapnost.

Napetost verige preverite po vsakem dolivanju goriva. **POZOR!** Zavedajte se, da se nova veriga nekaj časa "uvaja" zato je potrebno napetost nove verige preverjati pogosteje.

Napnite verigo kolikor se da, vendar ne tako močno, da je ni mogoče premikati z roko. **(26)**

435 II, 440 II



- Odvijte matico meča, ki drži pokrov sklopke in zavoro verige. Uporabite kombinacijski napenjalec. Nato ponovno z roko čim tesneje zavijte matico meča **(27)**
- Dvignite konico meča in napnite verigo tako, da s kombiniranim ključem zategujete vijak za napenjanje verige. Verigo napenjajte, dokler se ne prilega tudi ob spodnji rob meča. **(28)**
- Za zatezanje matice meča uporabite kombiniran ključ, medtem ko držite navzgor konico meča. Preverite ali verigo žage lahko ročno neovirano potegnete naokrog in da ne obstaja ohlapnost na spodnji strani meča. **(29)**

Položaj vijaka za zategnitev verige se razlikuje glede na model žage. Glejte informacije v razdelku Kaj je kaj, da izveste kje se nahaja na vašem modelu.

435e II, 440e II



- Sprostite gumb tako, da ga obrnete. **(30)**
- Gumb obrnite v nasprotni smeri urinega kazalca, da sprostite pokrov droga. **(31)**
- Napetost na verigi prilagodite z obračanjem kolesca proti dol (+) za večjo napetost in proti gor (-), da sprostite napetost. **(32)**
- Zatesnite sklopko droga tako, da obrnete gumb v smeri urinega kazalca. **(33)**
- Gumb obrnite navznoter, da zaklenete napetost. **(34)**

Mazanje rezil



OPOZORILO! Slaba namaščenost rezil lahko vodi do tega, da se veriga pretрга in povzroči hude ali celo smrtno poškodbe.

Olje za verigo

Olje za mazanje verige se mora dobro vpti v verigo in ostati primerno tekoče tako v poletni vročini kot v zimskem mrazu. Kot proizvajalec motornih žag smo razvili vrhunsko olje za verige, ki je izdelano na rastlinski osnovi, zato je biološko razgradljivo. Če želite zagotoviti kar najdaljšo življenjsko dobo verige in pri tem kar najmanj škodovati okolju, priporočamo uporabo Če našega olja ne dobite, vam svetujemo uporabo standardnega olja za mazanje verig.

SPLOŠNA NAVODILA ZA VARNOST

Nikoli ne uporabljajte odpadnega olja! To je nevarno za vas, stroj in okolje.

POMEMBNO! Če za žago uporabljate olje, ki je rastlinskega izvora, odprite in očistite žleb v meču in verigo pred dolgotrajnim shranjevanjem. Drugače obstaja nevarnost, da olje oksidira. Zaradi tega postane veriga trda, zobniki pa se zatikajo.

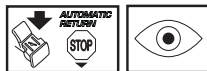
Dolivanje olja za verigo

- Vse naše motorne žage imajo sistem za samodejno mazanje verige. Na nekaterih modelih je mogoče dotok olja uravnati tudi poljubno.
- Rezervoarja za olje in gorivo sta narejena tako, da najprej zmanjka goriva in nato olja.
Vendarle, ta varnostna prednost zahteva, da uporabljate pravilno vrsto olja za verigo (če je olje preredko bo ga prej zmanjkalo kot goriva) in da nastavite uplinjač kot je priporočeno (slaba mešanica lahko pomeni, da bo gorivo trajalo dlje časa kot olje). Pravtako morate uporabljati priporočeno rezalno opremo (predlogi meč bo porabil več olja).

Kontrola mazanja verige

- Mazanje verige preverite ob vsakem točenju goriva.
Konic meča usmerite proti svetli podlagi, tako da je od nje oddaljena približno 20 cm (8 col). Po eni minuti teka s 3/4 plina se mora na svetli površini pokazati razločna oljna črta.
Če mazanje verige ne deluje:
 - Preverite, če je oljni kanal v meču zamašen. Po potrebi ga očistite. **(35)**
 - Preverite, če se je v žlebu meča nabrala nesnaga. Po potrebi ga očistite. **(36)**
 - Preverite, če se srednji zobnik meča premika neovirano in če je mazalna odprtina na konici meča morebiti zamašena. Če je potrebno, ju očistite in namastite. **(37)**
- Če sistem za mazanje verige tudi po zgornjih ukrepih ne deluje zadovoljivo, se obrnite na pooblaščen servisno delavnico.

Pogonski zobnik verige



Boben sklopke je opremljen z enim od dveh tipov pogonskih zobnikov:

- A Spur-pogonski zobnik (zobnik verige je zavarjen na boben)
- B Rim-pogonski zobnik (zamenljiv) **(38)**

Redno preverjajte stopnjo obrabljenosti pogonskega zobnika. Če je zobnik preveč obrabljen, ga zamenjajte. Pogonski zobnik zamenjajte vsakokrat, ko zamenjate verigo.

Mazanje igličastega ležaja



Oba tip zobnikov imata iglaste ležaje na izhodni osi, katere je potrebno redno mazati (enkrat tedensko) **POZOR!** Uporabljajte maščobo za mazanje dobre kvalitete ali pa motorno olje.

Poglejte navodila v poglavju Mazanje iglastega ležaja.

Pregled obrabljenosti rezil



Verigo pregledjte vsak dan in bodite pozorni na:

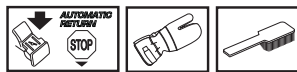
- Morebitne razpoke v zakovicah in členih.
- Togost verige.
- Močno obrabljenost zakovic in členov.

Verigo za žago zamenjajte, če ni v skladu z zgoraj napisanim.

Svetujemo, da obrabljenost verige, ki jo uporabljate, ocenite tako, da verigo primerjate z novo verigo.

Vse zobe spilite na isto dolžino. Ko se dolžina reznih zob zmanjša na 4 mm (5/32"), je veriga izrabljena in jo je potrebno zamenjati. **(23)**

Meč



Redno pregledujte:

- Če je kovina na robovih meča nacefrana. Po potrebi odpilite štrleči srh.
- Če je žleb meča preveč obrabljen. Po potrebi meč zamenjate.
- Če je konica meča neenakomerno ali preveč obrabljena. Če se je na katerem od robov konice meča pojavila vdolbina, je to posledica dela s preveč ohlapno verigo.
- Da bi podaljšali življenje meča ga redno obračajte.



OPOZORILO! Večino nesreč z motornimi žagami povzroči veriga, ki udari uporabnika.

Pri delu vedno uporabljajte osebno zaščitno opremo. Glejte navodila v poglavju Oseba zaščitna oprema.

Ne lotevajte se dela, če se počutite negotovi. Glejte navodila v poglavjih Oseba zaščitna oprema, Kako preprečimo odsunek, Rezila in Splošna navodila za delo.

Izogibajte se delu v okoliščinah, v katerih obstaja nevarnost odsunka. Glejte navodila v poglavju Varnostna oprema stroja.

Uporabljajte predpisana rezila in redno preverjajte, v kakšnem stanju so. Glejte navodila v poglavju Splošna navodila za delo.

Preverite, da vsi deli varnostne opreme delujejo brezhibno. Glejte navodila v poglavjih Splošna navodila za delo in Splošna navodila za varnost pri delu.

Montaža meča in verige



OPOZORILO! Pri rokovanju z verigo uporabljajte vedno zaščitne rokavice.

435 II, 440 II

- **Preverite, če je zavora verige sproščena, s tem da ščitnik odsunka potegnete proti prednjemu ročaju. (39)**
- Odvijte matico meča in odstranite pokrov sklopke (zavora verige). Snemite obroč za prenašanje (A). **(40)**
- Meč namestite preko sornika za meč. Meč namestite v krajni zadnji položaj. Verigo namestite preko pogonskega zobnika in v utor na meču. Začnite na gornji strani meča. **(41)**
- Poskrbite, da so ostrine reznih zob verige na zgornjem robu meča obrnjeni naprej.
- Montirajte pokrov sklopke in ne pozabite namestiti zatiča za prilagajanje verige v luknjo na meču. Preverite ali pogonski členi verige pravilno nalegajo preko pogonskega zobnika in ali se veriga pravilno nahaja v utoru meča. Ročno zategnite matico za meč.
- Verigo napnite s kombiniranim ključem tako, da obračate vijak za napenjanje verige v smeri urinega kazalca. Verigo napenjajte toliko časa, da ne bo več ohlapno visela s spodnjega roba meča. **(42)**
- Veriga je pravilno zategnjena, ko ni nobene povešenosti na spodnji strani meča in jo lahko še vedno brez težav obračamo z roko. Zategnite matico meča s pomočjo kombiniranega ključa, medtem ko držite navzgor konico meča. **(43)**
- Ko je veriga nova, je potrebno njeno napetost preverjati pogosteje, dokler se veriga ne uteče. Napetost verige preverjajte redno. Pravilno napeta veriga zagotavlja dober rez in ima dolgo življenjsko dobo. **(44)**

435e II, 440e II

- **Preverite, če je zavora verige sproščena, s tem da ščitnik odsunka potegnete proti prednjemu ročaju. (45)**
- Odvijte kolo napenjala verige in odstranite pokrov sklopke (zavora verige). Odstranite varovalo za prevoz. (A) **(46)**
- Natakните meč na vijaka, tako da je v skrajnem zadnjem položaju. Nadenite verigo na pogonski zobnik in v žleb meča. Začnite na zgornjem robu meča. **(41)**
- Poskrbite, da so ostrine reznih zob verige na zgornjem robu meča obrnjeni naprej.
- Montirajte pokrov sklopke in ne pozabite namestiti zatiča za prilagajanje verige v luknjo na meču. Preverite ali pogonski členi verige pravilno nalegajo preko pogonskega zobnika in ali se veriga pravilno nahaja v utoru meča.

- Verigo zatesnite z obračanjem kolesca proti dol (+). Verigo zatesnajte tako, da ne bo visela izpod droga. **(32)**
- Veriga je pravilno napeta, ko ne visi izpod droga, ampak jo še vedno lahko z roko enostavno obrnete. Dvignite vrh droga in zatesnite sklopko tako, da obračate gumb v smeri urinega kazalca. **(33)**
- Ko je veriga nova, je potrebno njeno napetost preverjati pogosteje, dokler se veriga ne uteče. Napetost verige preverjajte redno. Pravilno napeta veriga zagotavlja dober rez in ima dolgo življenjsko dobo. **(44)**

Namestitev opore

Namestitev opore naj opravi pooblaščen servisna delavnica. **(47)**

RAVNANJE Z GORIVOM

Pogonsko gorivo

Opomba! Stroj je opremljen z dvotaktnim motorjem, ki ga zmeraj mora poganjati mešanica benzina in dvotaktnega olja. Pomembno je, da natančno ocenite količino olja za mešanico ter s tem zagotovite, da imate pravilno mešanico. Pri mešanju majhnih količin goriva lahko že majhna nenatančnost zelo vpliva na faktor mešanice.



OPOZORILO! Pri rokovanju z gorivom vedno skrbite za dobro prezračevanje.

Bencin



- Uporabljajte kakoviten neosvinčen ali osvinčen bencin.
- Najnižja priporočljiva stopnja oktanov je 90 (RON). Če motor deluje pri stopnji, nižji od oktanske stopnje 90, lahko pride do ropotanja motorja. Zaradi tega lahko pride do visoke temperature motorja in povečane obrabe ležajev, kar pa lahko povzroči resno poškodbo motorja.
- Pri dolgotrajnejšem delu z visokim številom vrtljajev (npr. žaganje vej) svetujemo uporabo bencina višje oktanske vrednosti.

Okoljsko gorivo

HUSQVARNA priporoča uporabo okoljsko prijaznega goriva (imenovanega tudi alkatni bencin), oziroma Aspen mešanico dvotaktnega goriva ali okoljsko prijaznega goriva za štiriktaktni motorje, mešanega z dvotaktnimi olji, kot je opisano spodaj. Pri zamenjavi tipa goriva bo potrebna nastavitve uplinjača (glej navodila pod naslovom Uplinjač).

Gorivo z etanolom

HUSQVARNA priporoča komercialno razpoložljivo gorivo z največ 10 % vsebnosti etanola.

Utekanje

Med delovanjem v prvih desetih urah ne smete delati s preveliko hitrostjo dlje časa.

Olje za dvotaktne motorje

- Za najboljše rezultate in učinek uporabljajte HUSQVARNA olje za dvotaktne motorje, ki je posebej narejeno za naše zračno hlajene, dvotaktne motorje.
- Nikoli ne uporabljajte dvotaktnega olja, ki je namenjeno za zunajkrmne motorje, hlajene z vodo, ki jim tudi pravijo zunajkrmno olje (imenovano TCW).
- Nikoli ne uporabljajte olja za štiriktaktni motorje.
- Slaba kakovost olja ali prebogata mešanica olja/benzina lahko ogrozi delovanje katalizatorja in zmanjša njegovo življenjsko dobo.

Mešalno razmerje

1:50 (2%) z HUSQVARNA dvotaktnim oljem.

1:33 (3%) z olji, narejenimi za zračno hlajenje, dvotaktni motorji, klasificirani za JASO FB/ISO EGB.

Bencin, l	Olje za dvotaktne motorje, l	
	2% (1:50)	3% (1:33)
5	0,10	0,15
10	0,20	0,30
15	0,30	0,45
20	0,40	0,60

Mešanje

- Mešanico bencina in olja vedno pripravljajte v čisti posodi, atestirani za gorivo.
- Vedno začnite tako, da v posodo najprej natočite polovico potrebne količine bencina. Nato dodajte celotno količino olja. Dobro premešajte (s tresenjem). Dodajte preostalo količino bencina.
- Predno vlijete mešanico v posodo za gorivo, jo (s tresenjem) temeljito premešajte.
- Pripravite samo toliko mešanice, kolikor jo porabite v enem mesecu.
- Če stroja dalj časa ne boste uporabljali, izpraznite posodo za gorivo in jo očistite.

Olje za verigo

- Kot mazivo priporočamo uporabo posebnega olja (verižno olje) z dobrim stikom. **(4B)**
- Nikoli ne uporabljajte odpadnega olja. Odpadno olje poškoduje oljno črpalko, meč in verigo.
- Pomembno je, da je vrsta olja prilagojena temperaturi ozračja (primerna viskoznost).
- Pri temperaturah ozračja pod 0°C nekatera olja postanejo preveč trda. To lahko preobremeni oljno črpalko in poškoduje njene sestavne dele.
- Pri izbiranju olja za verigo se posvetujte s pooblaščenim servisno delavnic.

Točenju goriva



OPOZORILO! Naslednji varnostni ukrepi zmanjšujejo nevarnosti požara:

V bližini goriva ne kadite in ne postavljajte vročih predmetov.

Ugasnite motor in ga pustite nekaj minut hladiti, predno začnete z natakanjem.

Pokrovček posode za gorivo odvijte počasi, kajti v posodi je lahko nadpritisik.

Po končanem točenju goriva pokrovček trdno privijte.

Pred vžigom stroj vedno umaknite s kraja, na katerem ste ga polnili z gorivom, in proč od vira goriva.

Okolico pokrovčka posode za gorivo natančno obrišite. Redno čistite posodi za gorivo in za olje za verigo. Filter za gorivo zamenjajte najmanj enkrat letno. Nesnaga v posodah za gorivo in olje lahko povzroči okvare in slabo delovanje motorja. Poskrbite, da je gorivo dobro zmešano tako, da pred polnjenjem temeljito pretresete posodo z mešanico. Prostornina obeh posod za gorivo in olje za verigo je medsebojno usklajena. Posodi za gorivo in olje za verigo zato vedno polnite istočasno. **(48)**



OPOZORILO! Gorivo in hlapi so zelo vnetljivi. Pri delu z gorivom in oljem za verigo bodite previdni. Zavedajte se nevarnosti požara, eksplozije in vdihovanja strupenih hlapov.

Odstranjevanje pokrova za gorivo in pokrova verižnega olja

- Pritisnite strukturirani del ročice za obračanje in jo dvignite v pokončen položaj. **(49)**
- Odvijte pokrov tako, da ga obračate v nasprotni smeri urnega kazalca. **(50)**
- Odstranite pokrov. **(51)**

Odstranjevanje pokrova za gorivo in pokrova verižnega olja

- Vstavite pokrov, ko je ročica za obračanje v pokončnem položaju. **(52)**
- Trdno privijte pokrov tako, da ga obračate v smeri urnega kazalca. **(53)**
- Zložite ročico za obračanje navzdol. **(54)**

POMEMBNO! Poškodovan pokrov morate vedno zamenjati.

Varna uporaba goriva

- Stroju ne dolivajte goriva, če je motor vžgan.
- Pri točenju ali pripravi goriva (mešanica za 2-taktne motorje) skrbite za dobro prezračevanje.
- Predno vžgete motor, prestavite stroj najmanj 3 metre proč od mesta, na katerem ste točili gorivo.
- Nikoli ne vžigajte stroja:
 - 1 Če ste gorivo ali olje za verigo polili po žagi. Obrišite žago in počakajte, da ostanki goriva izhlapijo.
 - 2 Če ste gorivo polili po sebi ali po vaši obleki, se preoblecite. Umijte tiste telesne dele, ki so bili v stiku z gorivom. Uporabljajte milo in vodo.
 - 3 Če gorivo uhaja. Redno preverjajte tesnost pokrova posode za gorivo in dovode goriva.



OPOZORILO! Stroja z vidno poškodbo varovala vžigalne svečke in vžigalnega kabla ne uporabljajte. Poveča se nevarnost isker, ki lahko povzročijo požar.

Prevoz in shranjevanje

- Motorno žago in gorivo vedno hranite na kraju, kjer ni nevarnosti iskenja ali odprtega plamena. Na primer daleč proč od električnih strojev, elektromotorjev, električnih stikal, peči za ogrevanje in podobno.
- Gorivo vedno hranite v temu namenjenih in atestiranih posodah.
- Pred dolgotrajnejšim skladiščenjem ali prevozom motorne žage iztočite gorivo in olje. Na najbližji bencinski črpalki se pozanimajte, kje lahko varno zavrzete odpadno gorivo in olje.
- Da bi se izognili nenamernemu dotiku z ostro verigo mora med transportom in pri shranjevanju biti zmeraj nameščeno varovalo za stroj. Veriga, ki miruje lahko pravtako povzroči resne poškodbe uporabniku ali osebam, ki imajo dostop do nje.
- Iz svečke odstranite pokrov svečke. Aktivirajte zavoro verige.
- Med transportom napravo zavarujte.

Dolgotrajno shranjevanje

V dobro prezračevanem prostoru izpraznite rezervoarja za gorivo in olje. Gorivo shranjujte v primernem zabojniku in na varnem mestu. Namestite varovalo za meč. Stroj očistite. Glej navodila pod naslovom Vzdrževanje.

Preden stroj shranite za dalj časa, ga obvezno očistite in dajte na populn servis.

VŽIG IN IZKLOP

Vžig in izklop



OPOZORILO! Pred vžigom bodite pozorni na naslednje:

Zavora za žago mora biti pred zagonom naprave aktivirana, da se prepreči rotiranje.

Nikoli ne vžigajte motorne žage, če niso meč, veriga in vsa ohišja pravilno pritrjeni. Sklopka lahko odpade in povzroči osebne poškodbe.

Stroj položite na trdna tla in se prepričajte, da se meč in veriga ničesar ne dotikata. Poskrbite tudi, da imate trdno oporo nog.

Prepričajte se, da na kraju kjer delate, ni nepoklicanih.

Vžigalne vrvice nikoli ne navijajte okoli zapestja.

Vžig

Zavora verige mora biti vklopljena, ko vžgete motorno žago. Zavoro aktivirajte tako, da ščitnik odsunka prestavite naprej. **(55)**

Hladen motor

Položaj za zagon, 1: Stikalo za vklop/izklop postavite v položaj za hladen zagon, tako da rdeči regulator povlečete navzven – navzgor. **(56)**

Črpalka za gorivo (2): Večkrat pritisnite diafragmo za zrak, dokler se v njej ne začne nabirati gorivo (najmanj 6 krat). Ni potrebno, da je diafragma v celoti napolnjena. **(56)**

Prednji ročaj primite z levo roko. Verižno žago držite na tleh, tako da postavite desno nogo skozi zadnji ročaj. **(57)**

Povlecite zaganjalno ročico, 3: Povlecite zaganjalno ročico z desno roko in potegnite zaganjalno vrstico počasi navzven, tako dolgo da začutite odpor (ko začne vžig prijemat), potem pa potegnite hitro in močno, dokler motor ne vžge.

Potisnite navzdol rdečo ročico čoka, 4: Takoj ko motor vžge in se zasliši zvok "puf", potisnite navzdol rdečo ročico čoka.

Povlecite zaganjalno ročico (5): Še naprej močno vlecite vrstico, dokler motor ne vžge.

Topel motor

Položaj za zagon, 1: Za topel zagon dosežete pravilno nastavitve plina za čok/zagon tako, da v začetku pomaknete ročico čoka s potezanjem navzven in navzgor. **(56)**

Črpalka za gorivo (2): Večkrat pritisnite diafragmo za zrak, dokler se v njej ne začne nabirati gorivo (najmanj 6 krat). Ni potrebno, da je diafragma v celoti napolnjena. **(56)**

Potisnite navzdol rdečo ročico čoka, 3: Na ta način se deaktivira čok, ki ni potreben pri zagonu tople motorne žage. S premikanjem stikala start/stop se aktivira visoka hitrost prostega teka, kar olajša topel zagon.

Povlecite zaganjalno ročico, 4: Prednji ročaj primite z levo roko. Verižno žago držite na tleh, tako da postavite desno nogo skozi zadnji ročaj. **(57)**

Povlecite zaganjalno ročico z desno roko in potegnite zaganjalno vrstico počasi navzven, tako dolgo da začutite odpor (ko začne vžig prijemat), potem pa potegnite hitro in močno, dokler motor ne vžge.

Medtem ko je zavora verige še vedno pritegnjena, čim prej nastavite hitrost motorja za prosti tek, tako da sprostite zaporo dušilne lopute. Sprostitev dosežete z rahlim dotikom stikala dušilne lopute. Tako preprečite nepotrebno obrabo sklopke, ohišja sklopke in zavornega traku. Pred dodajanjem polnega plina za nekaj sekund pustite stroj v prostem teku.

Obstaja poenostavljen opomnik za zagon z ilustracijami, ki opisujejo vsak korak na zadnjem robu žage (A). **(57)**

POZOR! Vžigalne vrvice nikoli ne izvlecite do konca in tudi vžigalne ročice nikoli ne potisnite v skrajno lego. Takšno ravnanje lahko poškoduje stroj.

Opomba! Zavoro verige prestavite v prvotno lego tako, da ščitnik odsunka potegnete proti obodu sprednjega ročaja. Motorna žaga je zdaj pripravljena za uporabo.



OPOZORILO! Vdihovanje izpušnih plinov motorja, meglice olja za verigo in prahu žagovine v daljšem časovnem razdobju je lahko zdravju nevarno.

- Vdihovanje izpušnih plinov motorja, meglice olja za verigo in prahu žagovine v daljšem časovnem razdobju je lahko zdravju nevarno. Glejte navodila v poglavju Montaža. Brez nameščenega meča in verige na žagi se lahko sprostí zaklopka in povzroči resne poškodbe.
- Pred zagonom žage mora biti aktivirana zavora. Glej navodila pod naslovom Zaganjanje in zaustavitve. Žage ne zaženite tako, da jo vržete ob tla. Ta metoda je izredno nevarna in zelo hitro lahko izgubite nadzor nad žago. **(55)**
- Stroja ne vžigajte v zaprtem prostoru. Vdihovanje izpušnih plinov je lahko nevarno.
- Pred vžigom se prepričajte, da v bližini ni ljudi ali živali, ki bi jih med delom lahko ogrozili.
- Žago zmeraj držite z obema rokama. Desno roko položite na zadnjo ročico in levo roko na sprednjo ročico. **Vsi uporabniki, tako desničarji kot levičarji, naj bi uporabljali enak prijem.** Trdno držite ročico tako, da se palci in prsti oklenejo okoli ročice.

Izklop

Motor zaustavite tako, da navzdol pritisnete stikalo za zagon/zaustavitve. **(59)**

POZOR! Stikalo za zagon/zaustavitve se samodejno povrne v začetni položaj. Da bi preprečili neželeni zagon morate zaganjalno varovalko odstraniti iz svečke, ko stroj ni nadzorovan. **(60)**

Pred vsako uporabo: (6 1)

- 1 Preverite, da zavora verige deluje brezhibno in da je nepoškodovana.
- 2 Preverite, da zadnji ščitnik desne roke ni poškodovan.
- 3 Preverite, da zavora plinske ročice deluje brezhibno in da je nepoškodovana.
- 4 Preverite ali stikalo za ustavitev deluje pravilno in da ni poškodovano.
- 5 Preverite, da na nobenem ročaju ni olja.
- 6 Preverite, da sistem dušenja tresljev deluje in da je nepoškodovan.
- 7 Preverite, da je dušilec dobro pritrjen in da je nepoškodovan.
- 8 Preverite, da so vsi detajli na motorni žagi dobro pritrjeni, da niso poškodovani in da nič ne manjka.
- 9 Preverite, da je lovilce verige pritrjen na svoje mesto in nepoškodovan.
- 10 Preverite napetost verige.

Splošna navodila za delo

POMEMBNO!

V tem poglavju so opisana osnovna pravila za varno delo z motorno žago. Ta navodila ne morejo nadomestiti strokovnega znanja in izkušenj, ki jih ima poklicni delavec. Če ste v določenih okoliščinah negotovi, prenehajte z delom in poiščite strokovno pomoč. Strokovno pomoč vam lahko nudi vaš trgovec, servisna delavnica, ali pa izkušen uporabnik motorne žage. Ne lotevajte se opravil, za katera nimate dovolj strokovnega znanja!

Predno začnete z uporabo motorne žage, morate poznati vzroke odsunka in kako ga preprečujemo. Glejte navodila v poglavju Kako preprečiti odsunek.

Predno začnete z uporabo motorne žage, morate poznati razliko med žaganjem z zgornjim in spodnjim robom meča. Glej navodila pod naslovom Kako se izogniti odsunku in Varnostna oprema stroja.

Pri delu vedno uporabljajte osebno zaščitno opremo. Glejte navodila v poglavju Oseba zaščitna oprema.

Osnovna varnostna pravila

- 1 Oglejte si okolico in se prepričajte:
 - Da v bližini ni ljudi, živali ali predmetov, ki bi lahko vplivali na vašo kontrolo stroja pri delu.
 - Da medtem, ko delate, nihče ne more priti v stik z verigo žage, ali pa na območje padajočega drevesa in se pri tem poškodovati.
- POZOR!** Upoštevajte zgornja navodila, vendar pa poskrbite tudi, da boste lahko v primeru nesreče vedno priklicali pomoč.
- 2 Ne uporabljajte žage v slabih vremenskih razmerah. Takšne razmere so gosta megla, močen dež ali veter, hud mraz, itd. Delo v slabem vremenu utruja bolj kot sicer, obenem pa je povezano z dodatnimi nevarnostmi, kot so poledica, nepredvidljiva smer padca dreves, ipd.

- 3 Še posebno previdni bodite pri žaganju tanjših vej; izogibajte se žaganju grmov (= več tanjših vej hkrati). Veriga lahko tanjše veje zgrabi, zaradi česar jo vrže v vas, pri tem pa vas lahko hudo poškoduje.
- 4 Poskrbite, da lahko na območju dela varno stojite in hodite. Če morate nepričakovano spremeniti delovni položaj, če posebej pazite na morebitne ovire (korenine, kamenje, veje, jarko, itd.). Pri delu na nagnjenih tleh bodite še posebej previdni.
- 5 Bodite še posebno previdni, kadar žagate ukleščena drevesa. Ukleščeno drevo se lahko pred in po žaganju povrne v svojo normalno lego. Če stojite na napačnem mestu, ali pa če je smer žaganja napačna, se lahko zgodi, da bo drevo zadelo vas ali pa stroj, tako da boste izgubili nadzor nad njim. V obih primerih se lahko nevarno poškodujete.



- 6 Ko želite žago prenesti na drugo mesto, najprej ugasnite motor in z zavoro blokirajte verigo. Žago nosite tako, da sta meč in veriga obrnjen nazaj. Med daljšim prenašanjem in ob prevozih na meč vedno nataknite ščitnik.
- 7 Ko postavite žago na tla, jo s pomočjo zavor zaklenite in se prepričajte, da jo imate zmeraj pod nadzorom. Zaustavite motor, ko zapustite žago za dalj časa.



OPOZORIL! V pokrov sklopke se lahko zataknejo delci, ki povzročijo, da se veriga zmečka. Vedno ugasnite motor, preden začnete čiščenje.

Splošna pravila

- 1 Če razumete, kaj je odsunek in kako nastane, zmanjšate ali celo popolnoma odpravite nevarnost presenečenja. Presenečenje poveča nevarnost nesreče. Odsunek je običajno šibak, včasih pa je bliskovit in silovit.
- 2 Žago vedno trdno držite z desnico na zadnjem in levico na sprednjem ročaju. Ročaja objemite s palcema in prsti. Takšen prijem, ki je enak tako za levičarje kot desničarje, zmanjša učinek odsunka in vam omogoči, da ohranite nadzor nad žago. **Ne izpustite ročajev!**
- 3 Večina nesreč z odsunjeno žago se zgodi pri žaganju vej. Poskrbite za trdno oporo nog in odstranite vse, ob kar bi se med delom lahko spotaknili, ali zaradi česar bi lahko izgubili ravnotežje.

Če niste dovolj pozorni, vam utegne žago odsuniti takoj, ko se z odbojnim območjem meča nehote dotaknete veje, bližnjega debla ali kakega drugega predmeta.

Nadzorujte delovni predmet. Če so delčki, ki jih želite rezati majhni in lahki se lahko zagozdijo v verigo in jih vrže proti vam. Čeprav to ne pomeni nevarnosti se lahko presenetite in izgubite nadzor nad žago. Nikoli ne žagajte naloženega lesa ali vej brez, da bi jih ločili. Zmeraj žagajte le en hlood naenkrat. Odstranite odžagane dele, da bo delovno območje varno. **(62)**

DELOVNA TEHNIKA

- Nikoli ne žagajte nad višino ramen, ali samo s konico meča. Pri žaganju vedno držite žago z obema rokama! (63)**
- Za popolni nadzor nad motorno žago, morate stati stabilno. Nikoli ne delajte stoje na lestvi, drevesu, oziroma če podlaga, na kateri stojite, ni stabilna. (64)
- Vedno žagajte pri najvišjih vrtljajih, t.j. s polnim plinom.
- Pri žaganju z zgornjim robom meča, to se pravi pri žaganju od spodaj navzgor, bodite še posebej previdni. Temu načinu žaganja, ki mu pravimo tudi potisno žaganje. Pri žaganju potiska veriga žago nazaj proti uporabniku. Če se veriga zagodži lahko žago vrže nazaj proti vam. (65)
- Če se uporabnik tej potisni sili ne upira dovolj, obstaja nevarnost, da se bo žaga premaknila tako daleč nazaj, da se bo debela dotikala samo še z odbojnim območjem meča, kar bo povzročilo odsunek. (66)
Žaganje s spodnjim robom meča, to se pravi od zgoraj navzdol, se imenuje žaganje na vlek. V tem primeru žago vleče proti deblu, njeno težo pa nosi spodnji rob meča. Ta način žaganja omogoča uporabniku boljši nadzor žage in položaja odbojnega območja meča. (67)
- Upoštevajte navodila za brušenje in vzdrževanje meča in verige. Meč in verigo vedno zamenjajte samo v kombinacijah, ki jih priporočamo. Glejte navodila v poglavjih Rezila in Tehnični podatki.

Osnovna tehnika žaganja



OPOZORILO! Nikoli ne žagajte samo z eno roko. Žage ne morete varno obvladovati, če jo držite samo z eno roko. Zmeraj z obema rokama na ročajih trdno držite žago.

Splošno

- Žagajte vedno s polnim plinom!
- Po vsakem rezu prestavite plin v prosti tek (če neobremenjen motor predlogo teče s polnim plinom in brez obremenitve verige, lahko to povzroči hudo okvaro motorja).
- Žaganje od zgoraj = žaganje v položaju, ko veriga vleče k deblu.
- Žaganje od spodaj = žaganje v položaju, ko veriga odriva od debela.

Žaganje v položaju, ko veriga odriva od debela, pomeni večjo nevarnost odsunka. Glejte navodila v poglavju Kako preprečimo odsunek.

Izrazi

Žaganje = splošen izraz za žaganje lesa.

Žaganje vej = odstranjevanje vej s podrtega debela.

Razcep = deblo ali veja se razcepita, predno ju prežagamo.

Pred začetkom žaganja upoštevajte pet zelo pomembnih dejavnikov:

- Poskrbite, da se rezilo ne bo zagodilo v rezu. (68)
- Poskrbite, da se deblo med žaganjem ne razcepi. (69)

- Poskrbite, da veriga med žaganjem ali po njem ne udari ob tla ali kak drug predmet. (70)

- Obstaja nevarnost odsunka? (74)

- Lahko teren in drugi pogoji v vašem delovnem okolju vplivajo na to, kako varno pri delu stojite in hodite?

Na to, ali se bo veriga zagodila in ali se bo deblo preklalo, vplivata dva dejavnika: kako je deblo podprto pred in po žaganju in ali je napeto.

V večini primerov se lahko izognete tem težavam tako, da žagate v dveh etapah: najprej z zgornje in nato s spodnje strani debela. Preprečite, da deblo uveljavi "svojo voljo" s tem, da se veriga zagodži ali pa, da se deblo razkolje.

POMEMBNO! Če se veriga med žaganjem zagodži: ugasnite motor! Žage ne skušajte izvleči iz reza. Ko žaga "spusti", se lahko pri tem poškodujete na verigi. Rez razprite s primernim vzvodom in žago izvlecite.

Navodila spodaj so teoretičen opis najbolj običajnih situacij, ki se lahko pri žaganju primerijo uporabniku in kako je v teh situacijah primerno ravnati.

Žaganje vej

Pri odstranjevanju debelih vej ravnajte enako kot pri žaganju debel.

Nerodne in težavne veje žagajte po kosih. (71)

Žaganje



OPOZORILO! Nikoli ne poskušajte žagati hlodov, ki so naloženi en na drugega ali pa so postavljeni skupaj. Takšen postopek neverjetno poveča nevarnost odsunka, ki lahko pomeni resne ali smrtne poškodbe.

Ko imate les zložen morate vsak del posebej vzeti, ga postaviti na rezalno mizo in ga posebej odžagati.

Iz delovnega območja odstranite odžagane dele. S tem, ko jih pustite na delovnem območju povečate nevarnost odsunka ter nevarnost izgube ravnotežja med delom. (72)

Deblo leži na tleh. Nobene nevarnosti ni, da se veriga zagodži in da se deblo razcepi. Obstaja pa velika nevarnost, da veriga ob koncu reza udari ob tla. (73)

Deblo prežagajte z zgornje strani. Ko ste z rezom deblo skoraj prežagali, pazite, da se veriga ne dotakne tal. Motor naj teče s polnim plinom, vseskozi pa bodite pozorni na to, kaj se lahko primeri. (74)

Če imate možnost (lahko deblo obrnete?), končajte z rezom, ko ste prežagali 2/3 debela.

Obrnite deblo in prežagajte zadnjo 1/3 z vrha. (75)

Deblo je podprto na enem koncu. Obstaja velika nevarnost, da se razcepi. (76)

Začnite žagati s spodnje strani (približno do 1/3 premera debela).

Nadaljujte z žaganjem z zgornje strani, dokler se reza ne srečata. (77)

Deblo je podprto na obeh koncih. Obstaja velika nevarnost, da se veriga zagodži. (78)

Začnite žagati s zgornje strani (približno do 1/3 premera debla).

Nadaljujte z žaganjem z spodnje strani, dokler se reza ne srečata. **(79)**

Tehnika podiranja dreves

POMEMBNO! Za podiranje dreves je potrebna velika izkušnost. Če s podiranjem dreves nimate izkušenj, se tega ne lotite. Nikoli se ne lotite dela, če zanj nimate dovolj izkušenj!

Varna razdalja

Varna razdalja med drevesom, določenim za podiranje, in ljudni, ki delajo v bližini, naj bo najmanj 2,5 krat daljša od dolžine drevesa. Poskrbite, da med podiranjem na "nevarnem" območju ne bo nikogar razen vas. **(80)**

Smer podiranja

Drevo naj pade na takšno mesto in na takšen način, da bo kasnejše žaganje vej in debla potekalo na čim bolj "lahkem" terenu. Na delovnem območju mora biti varno stati in hoditi.

Ko določate smer, v katero naj bi padlo drevo, ki ga nameravate podreti, presodite, katera smer je naravna smer padca.

Na slednje vpliva več dejavnikov:

- Nagib
- Upoginjenost
- Smer vetra
- Razporeditev vej
- Morebitna teža snega
- Ovire v bližini drevesa so: na primer, druga drevesa, napetostni kabli, ceste in zgradbe.
- Preverite za znake poškodb in gnitja v lesu. Večja verjetnost je, da se bo drevo zlomilo in začelo padati še preden boste pripravljene na to.

Včasih je padec drevesa nemogoče ali nevarno usmeriti tja, kamor želite, zato vam takšnih primerih ne preostane nič drugega, kot da pustite, da drevo pade v svojo naravno smer.

Drug, zelo pomemben dejavnik, ki sicer ne vpliva na smer padca, vpliva pa na vašo osebo varnost, so morebitne poškodovane ali suhe veje, ki se med podiranjem drevesa lahko odlomijo in vas poškodujejo.

Najpomembneje je zagotoviti, da drevo ne obvisi na drugem drevesu. Odstranjevanje zataknjenega drevesa je zelo nevarno, saj je zelo verjetno, da bo prišlo do nesreče. Preberite navodila pod Reševanje slabo padlega drevesa. **(81)**

POMEMBNO! V vseh kritičnih trenutkih podiranja drevesa odstranite zaščitne slušalke, tako da boste slišali morebitne opozorilne zvoke.

Žaganje spodnjih vej in smeri umika

Iz drevesa odstranite veje do višine ramen. Bolj varno je delati od zgoraj navzdol tako, da je drevo med vami in žago. **(82)**

Očistite podrast okoli debla drevesa in si ogledjte, če so okoli njega morebitne ovire (kamenje, veje, luknje in podobno); odstranite jih, tako da boste imeli prosto pot za umik, ko bo drevo začelo padati. Smer umika naj bo pod kotom približno 135° na smer predvidenega padca. **(83)**

- 1 Območje tveganja
- 2 Pot vrnitve
- 3 Smer podiranja

Podiranje



OPOZORILO! Neizkušenim uporabnikom odsvetujemo podiranje dreves z meči, krajšimi od premera debla!

Drevo podremo s tremi rezi. Najprej naredite smerni rez, ki ga sestavljata "zgornji rez" in spodnji rez, nato pa drevo podrite z podiralnim rezom. Če žagate na pravilno izbranih točkah, lahko smer padca določite zelo natančno.

Smerni rez

Za smerno rezanje začnite z vrhnjim rezom. S pomočjo označbe za smer padca (1) namerite proti cilju naprej po področju, kamor želite, da drevo pade (2). Stopite na desno stran drevesa, za žago in režite z vlečnim rezom.

Zatem naredite spodnji rez, ki se mora končati natančno na istem mestu kot zgornji rez. **(84)**

Smerni rez naj bo globok 1/4 premera debla, kot med zgornjim in spodnjim rezom pa naj bo najmanj 45°.

Črta, na kateri se reza srečata, se imenuje črta smernega reza. Ta naj bo popolnoma vodoravna in pod pravim kotom (90°) na izbrano smer podiranja. **(85)**

Podiralni rez

Tudi podiralni rez, ki ga naredite z nasprotne strani drevesa, naj bo popolnoma vodoraven. Postavite se levo od drevesa in žagajte s spodnjim robom meča.

Podiralni rez naj bo 3–5 cm (1,5–2 colli) nad vodoravno linijo smernega reza. **(86)**

Opora naj bo (če je montirana), za prelomnim pasom. Žagajte s polnim plinom in počasi vodite verigo/meč v deblo. Bodite pozorni, če se drevo začne premikati v nasprotno smer od izbrane. Takoj ko je rez dovolj globok, zabijte vanj klin ali lomilko.

Podiralni rez zaključite vzporedno s črto smernega reza, tako da je razdalja med njima najmanj 1/10 premera debla. Neprežagani del debla se imenuje prelomni pas.

Prelomni pas, ki deluje kot tečajni na vratih, nadzoruje smer padca drevesa. **(87)**

Če je prelomni pas preozek ali prežagan, ali če sta smerni izsek in podiralni rez na napačnem mestu, je smer padca nemogoče nadzorovati. **(88)**

Ko sta podiralni rez in smerni izsek končana, mora drevo začeti padati samo od sebe, ali pa s pomočjo klina oziroma lomilke. **(89)**

Priporočamo, da uporabljate meč, ki je daljši od premera drevesa tako, da lahko rez za občutek in smer naredite z "eno

potezo". Za priporočila o dolžini meča za vaš model žage, glejte navodila v razdelku Tehnični podatki.

Obstajajo tudi metode podiranja dreves z meči, ki so krajši od premera debla. Vendar pa se s temi metodami dela poveča nevarnost stika med odbojnim delom meča in predmeti v okolici. **(4)**

Ravnanje z drevesom, ki je padlo napačno

Osvobajanje "ujetega drevesa"

Odstranjevanje zataknjenega drevesa je zelo nevarno, saj je zelo verjetno, da bo prišlo do nesreče.

Nikoli ne žagajte drevesa na katerega je padlo drugo drevo.

Nikoli ne delajte v območju nevarnosti, ko drevo visi ali pa je zagazdeno. **(90)**

Najbolj varen način je uporaba vitla.

- Vitel priključen na traktor
- Prenosni vitel

Žaganje napetih dreves in vej

Priprava: Ocenite, v katero smer je veja oziroma deblo napeto in kje je njuna naravna točka preloma (točka, v kateri bi se prelomila, če bi se napetost stopnjevala). **(91)**

Ocenite, kako je napetost mogoče sprostiti na najbolj varen način in če boste tej nalogi lahko kos osebno. V zapletenih primerih je možen en sam varen način dela: odložite motorno žago in uporabite vitel.

Splošno:

Postavite se tako, da boste zunaj dosega debla ali veje, ko napetost popusti. **(92)**

Na točki preloma ali v njeni bližini napravite več rezov. Napravite toliko in tako globokih rezov, kot je potrebno, zato da bo napetost popustila in da se do deblo/veja "prelomila" v točki preloma. **(93)**

Napetega debla ali veje nikoli ne skušajte prežagati z enim samim rezom!

Ko morate prežagati drevo/vejo, naredite dva do tri vreza z razmikom 3 cm in globino 3–5 cm. **(94)**

Nadaljujte žaganje dokler se ne sprosti napetost in upogib drevesa/veje. **(95)**

Ko se napetost sprosti odžagajte drevo/vejo iz nasprotne strani.

Preprečevanje odsunka



OPOZORILO! Žago lahko pri delu odsune bliskovito, silovito in povsem nepričakovano; telo žage, meč in verigo odsune proti uporabniku. Če se to zgodi, ko se veriga premika, se nezgoda lahko konča s hudo poškodbo, ki je včasih lahko celo smrtno nevarna. Zato je nadvse pomembno, da razumete, kaj povzroči odsunek, kot tudi, da ga je s previdnostjo in pravilnim načinom dela mogoče preprečiti.

Kaj je odsunek?

Izraz odsunek uporabljamo za opis nenadne reakcije, do katere pride ob stiku zgornjega kvadranta konice meča, imenovanega tudi odbojno območje, z okolico, ki ga odsune nazaj. **(66)**

Do odsunka pride vedno v ravnini žaganja. Običajno odsune žago nazaj in navzgor proti uporabniku. Lahko pa se zgodi, da žago odbije v kakšno drugo smer, odvisno od položaja žage v trenutku, ko se je odbojno območje meča dotakne predmeta v okolici. **(7)**

Žago odsune izključno v primeru, ko se odbojno območje meča dotakne predmeta v okolici. **(4)**

Žaganje vej



OPOZORILO! Večina nesreč z odsunkom se zgodi tekom žaganja vej iz drevesa. Ne uporabljajte območja odsunka meča. Bodite izjemno pazljivi in pazite, da vrh meča ne pride v stik z lesom oz. drugimi vejami ali predmeti. Bodite izjemno pazljivi z vejami, ki so napete. Lahko se sprostijo proti vam in povzročijo, da izgubite nadzor ter vas poškodujejo.

Poskrbite, da pri delu hodite in stojite varno! Delajte na levi strani debla. Žago imejte tesno ob telesu, tako da boste imeli nad njo kar najboljši nadzor. Če okoliščine dopuščajo, naj teža žaga počiva na deblu.

Delovni položaj zamenjajte le, ko je deblo med vami in žago.

Žaganje debla

Glejte poglavje Osnovna tehnika žaganja.

Splošno

Uporabnik sme sam izvajati le tista vzdrževalna in servisna dela, ki so navedena v teh navodilih za uporabo. Zahtevnejše posege mora opraviti pooblaščen servisna delavnica.

Nastavitev uplinjača

Vaš Husqvarna izdelek, je zasnovan in izdelan v skladu s predpisi za najmanjšo količino škodljivih izpušnih plinov.

Delovanje

- Uplinjač uravnava hitrost teka motorja preko ročice za plin. V uplinjaču se mešata zrak in gorivo. To razmerje je mogoče spreminjati. Da bo izkoristek zmogljivosti stroja najboljši, je potrebna pravilna nastavitev uplinjača.
- Vijak T uravnava število vrtljajev prostega teka. Če ga zasučemo v smeri urinega kazalca, se hitrost prostega teka poveča, z obračanjem v nasprotno smer pa se hitrost zmanjša.

Osnovna nastavitev in utekanje

Za osnovno nastavitev uplinjača poskrbimo pri tovarniškem preizkusu. Fino nastavljanje naj opravi izkušen strokovnjak.

Priporočeno število vrtljajev motorja v prostem teku: Glejte poglavje Tehnični podatki.

Fina nastavitev hitrosti prostega teka T

Prosti tek nastavite z vijakom T. Če je prosti tek potrebno ponovno nastaviti, vžgite motor in najprej privijte vijak T (v smeri urinega kazalca), tako da se veriga začne vrteti. Nato vijak odvijte (v nasprotno smer urinega kazalca), do točke, ko se veriga ustavi. Prosti tek je nastavljen pravilno, ko motor teče gladko v vseh legah, z zadostno marginalno do števila vrtljajev, pri katerem se veriga začne vrteti.



OPOZORILO! Če prostega teka ne morete nastaviti tako, da se veriga ustavi, se obrnite na pooblaščen servisno delavnico. Žage ne uporabljajte, dokler ni pravilno nastavljena ali popravljena.

Pravilno nastavljen uplinjač

Pravilno nastavljen uplinjač pomeni, da stroj dobi takojšen pospešek, zvok motorja pa je podoben »brbljanju«. Poleg tega se veriga v prostem teku ne sme vrteti. Nastavitev šobe za nizko število vrtljajev L na prerezno mešanico lahko povzroča težave pri vžigu in slab pospešek. Nastavitev šobe za visoko število vrtljajev H na preverno mešanico pomeni, da motor nima moči = "zmore manj", ima slabši pospešek in/ali okvaro motorja.

Kontrola, vzdrževanje in servis varnostne opreme motorne žage

Opomba! Vsa popravila na stroju zahtevajo posebno usposobljenost. To še posebej velja za varnostno opremo stroja. Če stroj ne prestane nobenega od zgoraj napisanih testov vam priporočamo, da ga odnesete na popravilo.

Zavora verige s ščitnikom

Pregled izbire zavornega traku



Z zavoro verige in bobna sklopke odstranite žagovino, smolo in umazanijo. Umazanija in izrabljenost vplivata ne učinkovitost zavoro. (96)

Redno preverjajte debelino zavornega traku, ki mora tudi na najtanjšem mestu znašati najmanj 0,6 mm.

Pregled ščitnika odsunka



Preverite, če je ščitnik odsunka nepoškodovan. Bodite pozorni na vidne znake poškodb, kot so npr. razpoke.

Ščitnik odsunka potisnite naprej in nazaj ter se prepričajte, če se giblje neovirano in če je varno pritrjen na pokrov sklopke.

Preverjanje samodejnega delovanja zavoro



Ugasnjeno žago postavite na panj ali drugo stabilno površino. Sprostite sprednjo ročico in pustite, da žaga sama pade tako, da se obrne na zadnji ročici proti panju. (97)

Ko konica meča zadene ob panj, se mora zavora sprožiti. (98)

Preverjanje delovanja zavoro

Položite žago na trdno podlago in jo poženite. Pazite, da veriga ni v stiku s tlemi ali kakim drugim predmetom. Glejte navodila v poglavju Vžig in izkllop. (99)

S palcem in prsti čvrsto objemite ročaja žage.

Poženite motor s polnim plinom in sprožite zavoro verige, tako da z levim zapestjem odsunete ščitnik odsunka. Pri tem ne spustite sprednjega ročaja. Veriga se mora v trenutku ustaviti. (58)

Zapora plina



- Prepričajte se, da je ročica za uravnavanje plina v prostem teku, kadar je v svojem izhodiščnem položaju. (100)

VZDRŽEVANJE

- Stisnite zaporo plina in se prepričajte, da se povrne v svoj prvotni položaj, ko jo izpustite. **(101)**
- Preverite, če se ročica za plin in zapora plina premikata neovirano in ali njuni povratni vzmeti delujeta pravilno. **(102)**
- Poženite žago in nastavite polni plin. Spustite ročico za uravnavanje plina in se prepričajte, da se veriga ustavi in da nato popolnoma miruje. Če se veriga vrti v prostem teku, preverite nastavev uplinjača v prostem teku.

Lovilec verige



Preverite, če je lovilce verige nepoškodovan in trdno pritrjen na telo žage. **(103)**

Ščitnik desne roke



Preverite, če je ščitnik desne roke nepoškodovan in da nima opaznih napak, na primer razpok. **(11)**

Sistem dušenja tresljajev



Redno preverjajte stanje elementov za dušenje vibracij. Bodite pozorni na morebitne razpoke in druge deformacije. Preverite, če so dušilni elementi dobro pritrjeni med ohišje motorja in oba ročaja. **(104)**

Izklopno stikalo



Vžgite motor in preverite, če se ustavi, ko izklopno stikalo potisnete v položaj STOP. **(59)**

POZOR! Stikalo za zagon/zaustavitev se samodejno povrne v začetni položaj. Da bi preprečili nenamenski zagon morate pri sestavljanju, preverjanju in/ali vzdrževanju iz svečke odstraniti pokrov.

Dušilec



Nikoli ne uporabljajte stroja s pokvarjenim dušilcem.

Redno preverjajte, če je dušilec dobro pritrjen na stroj. **(105)**

Nekateri modeli dušilcev so opremljeni s posebno mrežico za gašenje isker. Če je vaš stroj opremljen s dušilcem tega tipa, morate mrežico enkrat tedensko očistiti. V ta namen

uporabljajte žično krtačo. Če je v mrežici polno nesnage, se motor pregreje, kar vodi do resnih poškodb.

Opomba! Poškodovano mrežico morate vedno zamenjati. Če je mrežica zamašena, se motor pregreva, kar poškoduje valj in bat. Nikoli ne uporabljajte stroja, če je dušilec v slabem stanju ali poškodovan. **Ne uporabljajte dušilca, ki ima poškodovano mrežico, ali pa je celo brez nje. (13)**

Dušilec je izdelan tako, da zmanjšuje hrup in usmerja izpušne pline proč od uporabnika. Izpušni plini so vroči in lahko vsebujejo iskre, ki ob stiku s suhimi in vnetljivimi snovmi lahko povzročijo požar.

Zaganjalnik



OPOZORILO! Povratna vzmet, vstavljena v ohišje zaganjalnika, je v napetem stanju, zato se lahko ob neprevidnem ravnanju sproži in povzroči osebno poškodbo.

Bodite pazljivi pri zamenjavi povratne vzmeti na zaganjalni vrivci. Uporabljajte zaščitna očala in rokavice.

Zamenjava zaganjalnega kabla



- Sprostite vijake, s katerimi je zaganjalnik pritrjen na ohišje motorja in ga odstranite. **(106)**
- Izvlecite približno 30 cm vrvice in jo dvignite iz zareze na vretenu. Nastavite povratno vzmet v začetni položaj tako, da pustite, da se vreteno počasi odvijata nazaj. **(107)**
- Odvijte vijak na sredini škripca in odstranite pogonski disk (A), vzmet pogonskega diska (B) in škripec (C). V zaganjalni škripec vstavite in pričvrstite novi zaganjalni kabel. Na zaganjalnem škripcu zavijte zaganjalni kabel za približno 3 obrate. Namestite zaganjalni škripec tako, da se konec vzmeti (D) zapne v zaganjalni škripec. Sestavite vzmet pogonskega diska, pogonski disk in vijak v sredini škripca. Povlecite zaganjalni kabel skozi luknjo zaganjalnega ohišja in ročico zaganjalca. Na zaganjalni kabel zavežite dober vozel. **(108)**

Napenjanje povratne vzmeti

- Dvignite vžigalno vrstico v zarezo na vretenu, vreteno pa za 2 obrata zasučite v smeri urinega kazalca. Opomba! Preverite, če vreteno lahko zasučete še najmanj za 1/2 obrata, tudi ko je vrstica izvlečena do konca. **(109)**

Raztegnite kabel z ročico. Premaknite vaš palec in sprostite kabel. Glejte spodnjo skico. **(110)**

VZDRŽEVANJE

Zamenjava povratnih in pogonskih vzmeti



Povratna vzmet (A)

- Dvignite zaganjalno vreteno. Glejte navodila v poglavju Zamenjava strgane ali obrabljene vžigalne vrvice.
- Odstranite kaseto z vpeto povratno vzmetjo iz zaganjalnika.
- Povratno vzmet namastite z redkim oljem. Vstavite kaseto s povratno vzmetjo v zaganjalnik. Vstavite zaganjalno vreteno in napnite povratno vzmet.

Vzmet pogonskega kolesa (B)

- Odvijte vijak na sredini škripca in odstranite pogonsko kolo in vzmet pogonskega kolesa.
- Zamenjajte vzmet pogonskega kolesa in nad vzmet namestite pogonsko kolo. (111)

Montiranje zaganjalnika

- Zaganjalnik sestavite tako, da najprej izvilčete vrvico, nato pa zaganjalnik vstavite v ohišje motorja. Počasi sprostite vrvico, tako da se vreteno ujame v zaskočne kljukice.
- Vstavite vijake, s katerimi je pritrjen zaganjalnik in jih privijte.

Zračni filter



Zračni filter je potrebno redno čistiti, kajti z odstranjevanjem prahu in umazanije preprečimo:

- Motnje v delovanju uplinjača
- Težave pri vžigu
- Pojemanje moči motorja
- Nepotrebno obrabo delov motorja
- Nenormalno visoko porabo goriva.
- Zračni filter odstranite tako, da odstranite pokrov filtra in nato filter. Pri ponovnem sestavljanju preverite, če se filter tesno prilega nosilcu. Filter čistimo tako, da ga otresemo ali okrtamo. (112)

Učinek čiščenja zračnega filtra bo boljši, če ga operemo z vodo in milnico.

Zračnega filtra, ki ste ga uporabljali dalj časa, ni mogoče dobro očistiti. Zaradi tega je potrebno filter redno nadomeščati z novim. **Če je zračni filter poškodovan, ga nemudoma zamenjajte.**

Za HUSQVARNA motorno žago lahko uporabljate različne zračne filtre, prilagojene različnim delovnim okoljem, vremenskim razmeram, letnemu času, itd. Posvetujte se z vašim trgovcem.

Svečka



Na stanje svečke vpliva naslednje:

- Nepravilna nastavitvev uplinjača.
- Nepravilna mešanica goriva z oljem (preveč olja ali napačno olje).
- Umazan zračni filter.

Posledica teh dejavnikov je nabiranje oblog na elektrodah svečke, kar lahko privede do nepravilnega delovanja motorja in težav pri vžigu.

Če je moč motorja oslABLJENA, če ga je težko vžgati, delovanje v prostem teku pa je neenakomerno: vedno najprej pregledajte svečko. Če je zamašena, jo očistite in preverite, da je razmik med elektrodama 0,5 mm. Svečko zamenjajte po približno enomesečni uporabi, če pa je potrebno, tudi prej. (113)

Opomba! Vedno uporabljajte samo tip svečke, ki ga priporočamo! Uporaba napačne svečke lahko uniči bat in valj. Poskrbite, da ima svečka t.i. zaščito proti radijskim motnjam.

Mazanje igličastega ležaja



Sklopkin boben ima na izstopni osi iglasti ležaj. Iglaste ležaj je treba redno mazati.

Za mazanje odstranite pokrov sklopke tako, da razhranjate matici spojnika. Postavite žago tako, da leži z bobnom, obrnjenim navzgor.

Mazite s kapljanjem motornega olja zraven središča bobna sklopke in hkrati obračajte boben sklopke. (114)

Hladilni sistem



Stroj je opremljen s hladilnim sistemom, ki zagotavlja najnižjo možno delovno temperaturo.

Deli hladilnega sistema so:

- 1 Odprtina za dovod zraka na zaganjalniku.
- 2 Tir za usmerjanje zraka.
- 3 Ventilator z lopaticami.
- 4 Hladilna rebra cilindra.
- 5 Ohišje cilindra (dovaja cilindru hladen zrak). (115)

Hladilni sistem očistite s krtačo enkrat tedensko, v zahtevnih pogojih dela pa tudi pogosteje. Umazan ali zamašen hladilni sistem povzroča pregrevanje stroja, to pa poškoduje bat in cilindar.

Centrifugalno čiščenje "Air Injection"

Centrifugalno čiščenje pomeni: Zrak priteka (se dovaja) v uplinjač skozi zaganjalnik. Hladilni ventilator pred tem iz zraka odpihne umazanijo in prah. **(116)**

POMEMBNO! Učinkovitost centrifugalnega čiščenja je odvisna od rednega vzdrževanja in nege. Očistite dovod zraka v zaganjalnik, krila ventilatorja, prostor okrog ventilatorja, dovodno cev in komoro uplinjača.

Uporaba v zimskih razmerah

Vzroki za težave s tekom stroja pri delu v mrazu in snegu so lahko naslednji:

- Prenizka temperatura motorja.
- Led na zračnem filtru in uplinjaču.

Pogosto so potrebni posebni ukrepi, kot na primer:

- Delno zmanjšan dovod zraka na zaganjalniku, s čimer se poveča delovna temperatura motorja.

Temperatura pod -5°C :



Za uporabo stroja v mrzlem vremenu ali v suhem snegu je na voljo posebno ohišje, ki ga namestimo na ohišje zaganjalnika. Na ta način zmanjšamo dovod zraka in omejimo sesanje snega. **(117)**

POZOR! Če ste namestili posebno zimsko opremo, ali ukrenili kaj drugega za dvig temperature motorja, je potrebno stroj pred ponovno uporabo v normalnih razmerah vrniti v normalno stanje. V nasprotnem primeru obstaja nevarnost, da se bo stroj pregrel, kar se lahko konča s hudo okvaro motorja.

POMEMBNO! Vse vzdrževalne ukrepe, z izjemo tistih, ki so opisani v tem priročniku, naj opravi pooblaščen servisna delavnica (zastopnik).

VZDRŽEVANJE

Urnik vzdrževanja

V nadaljevanju sledi lista o tem, kako je stroj potrebno vzdrževati. Večina točk je navedena v poglavju Vzdrževanje.

Vsakodnevno vzdrževanje	Tedensko vzdrževanje	Mesečno vzdrževanje
Očistite zunanje dele stroja.	Hladilni sistem preverite vsak teden.	Preverite zavoro za obrabo. Zamenjati, ko ostane manj kot 0,6 mm na najbolj obrabljeni točki.
Preverite, če je delovanje vseh delov ročice za plin varno. (Zapora plina in ročica za uravnavanje plina).	Preverite zaganjalnik, pripadajočo vrvico in povratno vzmet.	Preglejte center, boben in vzmet sklopke in bodite pozorni na znake obrabljenosti.
Očistite zavoro verige in kontrolirajte, če je njeno delovanje varno. Preverite, če je lovilec verige nepoškodovan; v nasprotnem primeru ga nemudoma zamenjajte.	Preverite, da ročice in elementi za blaženje vibracij niso poškodovani.	Očistite svečko. Preverite, da je razmik med elektrodama 0,5 mm.
Meč redno obračajte zaradi enakomerne obrabe. Preverite luknjo za maščenje v meču in se prepričajte, da ni zamašena. Očistite utor v meču.	Namažite ležaj bobna sklopke.	Očistite zunanost uplinjača.
Preverite, če oljna črpalka maže meč in verigo zadostno.	Po potrebi odpilite sroh z robov meča.	Preglejte filter za gorivo in dovodno cev. Po potrebi ju zamenjajte.
Preverite ali so na verigi vidne razpoke med členi in zakovicami, ali je veriga trda oz. ali so členi in zakovice zelo obrabljeni. Po potrebi zamenjajte.	Očistite ali zamenjajte mrežico za lovljenje isker na dušilcu.	Izpraznite rezervoar za gorivo in ga očistite odznotraj.
Nabrusite verigo in preverite njeno napetost ter stanje. Preverite obrabljenost pogonskega zobnika in ga po potrebi zamenjajte.	Očistite komoro uplinjača.	Izpraznite rezervoar za olje in ga očistite odznotraj.
Očistite dovod zraka za zaganjalnik.	Očistite zračni filter. Po potrebi ga zamenjajte.	Preglejte vse kable in priključke.
Kontrolirajte, če so vse matice in vijaki temeljito priviti.		
Preglejte, če stop stikalo deluje.		
Prepričajte se, gorivo ne izteka iz motorja, posode za gorivo ali cevke za gorivo.		
Preverite, da se veriga ne vrti, ko je motor v prostem teku.		

TEHNIČNI PODATKI

Tehnični podatki

	435 II	435e II	440 II	440e II
Motor				
Gibna prostornina valja, cm ³	40,9	40,9	40,9	40,9
Razmik valjev, mm	41	41	41	41
Takt, mm	31	31	31	31
Prosti tek, rpm	2900	2900	2900	2900
Moč, kW/ rpm	1,6/9000	1,6/9000	1,8/9000	1,8/9000
Sistem vžiga				
Svečka	NGK BPMR 7A/ Champion RCJ 7Y	NGK BPMR 7A/ Champion RCJ 7Y	NGK BPMR 7A/ Champion RCJ 7Y	NGK BPMR 7A/ Champion RCJ 7Y
Odprtina elektrode, mm	0,5	0,5	0,5	0,5
Sistem za gorivo in mazanje				
Kapaciteta rezervoarja za gorivo, litri	0,37	0,37	0,37	0,37
Zmogljivost oljne črpalke pri 9.000 v/min, ml/min	13	13	13	13
Prostornina posode za olje, l	0,25	0,25	0,25	0,25
Tip oljne črpalke	Avtomatska	Avtomatska	Avtomatska	Avtomatska
Teža				
Motorna žaga brez meča in verige in s praznimi posodami za gorivo, kg	4,2	4,4	4,2	4,4
Emisije hrupa (glejte op. 1)				
Moč hrupa, izmerjena dB(A)	112	112	113	113
Moč hrupa, zagotovljena L _{WA} dB(A)	114	114	114	114
Zvočni nivoji (glejte op. 2)				
Enakovredna raven zvočnega tlaka pri ušesu upravljavca, dB(A)	102	102	102	102
Ekvivalenca nivojev vibracij, a_{hveq} (glejte opombo 3)				
Sprednji ročaj, m/s ²	2,5	2,5	2,5	2,5
Zadnji ročaj, m/s ²	3,2	3,2	3,2	3,2
Veriga/meč				
Standardna dolžina meča, cole/cm	13"/33	13"/33	13/33	13"/33
Priporočljive dolžine meča, cole/cm	13-18/33-45	13-18/33-45	13-18/33-45	13-18/33-45
Uporabna dolžina reza, cole/cm	12-17/31-43	12-17/31-43	12-17/31-43	12-17/31-43
Korak verige, cole/mm	0,325/8,25	0,325/8,25	0,325/8,25	0,325/8,25
Debelina pogonskega člena, cole/mm	0,050/1,3	0,050/1,3	0,050/1,3	0,050/1,3
Tip pogonskega zobnika/število zob	Spur/7	Spur/7	Spur/7	Spur/7
Hitrost verige pri 133 % hitrosti pri največji moči motorja, m/s.	23,1	23,1	23,1	23,1

Op. 1: Emisija hrupa v okolico merjena kot zvočni efekt (L_{WA}) v skladu z ES direktivo 2000/14/ES.

Opomba 2: Ekvivalenca nivoja zvočnega tlaka, skladna z ISO 22868, je izračunana kot celotna, časovno ponderirana vsota energije za različne nivoje zvočnega tlaka pod različnimi delovnimi pogoji. Tipična statistična razpršitev za ekvivalenco nivoja zvočnega tlaka je standarden odklon v vrednosti 1 dB (A).

Opomba 3: Ekvivalenca nivoja vibracij, skladna z ISO 22867, je izračunana kot celotna, časovno ponderirana vsota energije za nivoje vibracij pod različnimi delovnimi pogoji. Sporočeni podatki za ekvivalenco nivoja vibracij imajo tipično statistično razpršitev (standardni odklon) v vrednosti 1 m/s².


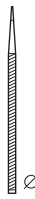



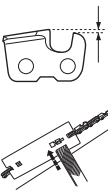
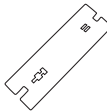
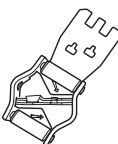
TEHNIČNI PODATKI

Kombinacije meča in verige

Za modele Husqvarna 435 II, 435e II, 440 II in 440e II so odobreni naslednji rezalni priključki.

Meč				Veriga	
Dolžina, cole	Korak verige, cole	Širina utora, mm	Maks. število zob na zobniku meča	Tip	Dolžina pogonskega zobnika (št.)
13	0,325	1,3	10T	Husqvarna H30	56
15					64
16					66
18					72

Brušenje žage in šablone

							
	inch/mm				inch/mm		
H30	3/16 / 4,8	85°	30°	10°	0,025 / 0,65	5056981-00	5056981-08

ES-Izjava o skladnosti

(Velja le za Evropo)

Husqvarna AB, SE-561 82 Huskvarna, Švedska, tel +46-36-146500, s tem potrdilom zagotavlja, da so motorne verižne žage za obdelavo dreves **Husqvarna 435 II, 435e II, 440 II in 440e II** s serijskimi številkami iz leta 2013 in kasneje (leto izdelave, ki mu sledi serijska številka, je podano v besedilu na ploščici s tipsko oznako) v skladu s predpisi, podanimi v DIREKTIVI SVETA:

- z dne 17. maja 2006, ki se nanaša na stroje, 2006/42/ES.
- z dne 15. decembra 2004 "za elektromagnetsko skladnost" **2004/108/ES**.
- z dne 8. maja 2000 "za emisijo hrupa v okolico" **2000/14/ES**.

Za informacije v zvezi z emisijo hrupa glejte poglavje Tehnični podatki. Uporabljeni so bili naslednji standardi:


EN ISO 12100:2010, ISO 14982:2009, EN ISO 11681-1:2011

Priglašeni organ: **0404, SMP Svensk Maskinprovning AB**, Box 7035, SE-750 07 Uppsala, Švedska, je izvedel ES-tipsko kontrolo v skladu z direktivo o strojih (2006/42/ES), člen 12, točka 3b. Potrdila o ES-tipski kontroli v skladu s priložo IX, imajo številko: **0404/09/2012** - 435 II, 435e II, 440 II, 440e II.

Nadalje je SMP Svensk Maskinprovning AB, Box 7035, SE-750 07 Uppsala, Švedska, potrdil ujemanje z dodatkom V k direktivi sveta z dne 8. maja 2000 "za emisijo hrupa v okolico" 2000/14/ES. Certifikati imajo naslednje številke: **01/161/075** - 435 II, 435e II, **01/161/074** - 440 II, 440e II.

Dobavljena motorna žaga se ujema z vzorcem, ki je bil podvržen tipski kontroli ES.

Husqvarna, 8 aprila 2013



Bengt Frögelius, Šef razvoja Verižna žaga (Pooblaščen predstavnik za Husqvarna AB in odgovorni za tehnično dokumentacijo.)

**Original instructions
Bruksanvisning i original
Originale instruktioner
Originale instruksjoner
Alkuperäiset ohjeet
Instructions d'origine
Originalanweisungen
Originele instructies**

**Instrucciones originales
Instruções originais
Istruzioni originali
Originaaljuhend
Instrukcijas oriinlvalod
Originalios instrukcijos
Izvirna navodila**

1155355-38

2014-11-24, Rev.3

Free Manuals Download Website

<http://myh66.com>

<http://usermanuals.us>

<http://www.somanuals.com>

<http://www.4manuals.cc>

<http://www.manual-lib.com>

<http://www.404manual.com>

<http://www.luxmanual.com>

<http://aubethermostatmanual.com>

Golf course search by state

<http://golfingnear.com>

Email search by domain

<http://emailbydomain.com>

Auto manuals search

<http://auto.somanuals.com>

TV manuals search

<http://tv.somanuals.com>