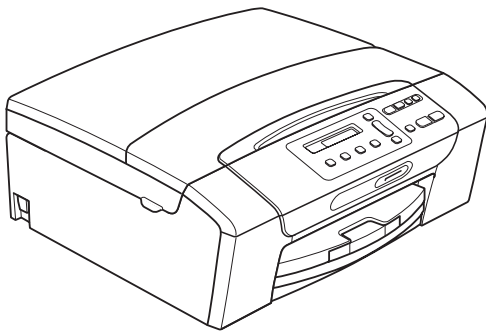


USER'S GUIDE



DCP-193C
DCP-195C
DCP-197C
DCP-365CN
DCP-373CW
DCP-375CW
DCP-377CW

If you need to call Customer Service

Please complete the following information for future reference:

**Model Number: DCP-193C, DCP-195C, DCP-197C, DCP-365CN, DCP-373CW, DCP-375CW and DCP-377CW
(Circle your model number)**

Serial Number: ¹ _____

Date of Purchase: _____

Place of Purchase: _____

¹ The serial number is on the back of the unit. Retain this User's Guide with your sales receipt as a permanent record of your purchase, in the event of theft, fire or warranty service.

Register your product on-line at

<http://www.brother.com/registration/>

By registering your product with Brother, you will be recorded as the original owner of the product. Your registration with Brother:

- may serve as confirmation of the purchase date of your product should you lose your receipt; and
- may support an insurance claim by you in the event of product loss covered by insurance.

Compilation and Publication Notice

Under the supervision of Brother Industries Ltd., this manual has been compiled and published, covering the latest product descriptions and specifications.

The contents of this manual and the specifications of this product are subject to change without notice.

Brother reserves the right to make changes without notice in the specifications and materials contained herein and shall not be responsible for any damages (including consequential) caused by reliance on the materials presented, including but not limited to typographical and other errors relating to the publication.

EC Declaration of Conformity



EC Declaration of Conformity

Manufacturer

Brother Industries, Ltd.
15-1, Naeshiro-cho, Mizuho-ku, Nagoya 467-8561, Japan

Plant

Brother Industries (Shenzhen) Ltd.
G02414-1, Baochangli Bonded Transportation Industrial Park,
Baolong Industrial Estate, Longgang District, Shenzhen 518116, Gung Dong, China

Herewith declare that:

Products description : Copier Printer
Model Name : DCP-193C, DCP-195C, DCP-197C, DCP-365CN
are in conformity with provisions of the Directives applied : Low Voltage Directive 2006/95/EC and the Electromagnetic Compatibility Directive 2004/108/EC.

Products description : Copier Printer
Model Name : DCP-373CW, DCP-375CW, DCP-377CW
are in conformity with provisions of the R & TTE Directive (1999/5/EC) and we declare compliance with the following standards :
Standards applied :

Harmonized : Safety EN60950-1:2006

EMC EN55022: 2006 +A1: 2007 Class B
EN55024: 1998 +A1: 2001 +A2: 2003
EN61000-3-2: 2006
EN61000-3-3: 1995 +A1: 2001 +A2: 2005

Radio EN301 489-1 V1.8.1
EN301 489-17 V1.3.2
EN300 328 V1.7.1

※ Radio applies to DCP-373CW, DCP-375CW, DCP-377CW only.

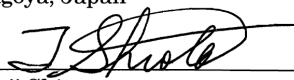
Year in which CE marking was first affixed : 2009

Issued by : Brother Industries, Ltd.

Date : 25th June, 2009

Place : Nagoya, Japan

Signature :



Junji Shiota
General Manager
Quality Management Dept.

Table of Contents

Section I General

1	General Information	2
	Using the documentation	2
	Symbols and conventions used in the documentation	2
	Accessing the Software User's Guide and Network User's Guide	3
	Viewing Documentation	3
	Accessing Brother Support (Windows®)	5
	Control panel overview	6
	Warning LED indications	7
2	Loading paper and documents	8
	Loading paper and other print media	8
	Loading envelopes and postcards	10
	Removing small printouts from the machine	11
	Printable area	12
	Acceptable paper and other print media	13
	Recommended print media	13
	Handling and using print media	14
	Choosing the right print media	15
	Loading documents	17
	Using the scanner glass	17
	Scannable area	18
3	General Setup	19
	LCD display	19
	Changing LCD language	19
	Changing the LCD contrast	19
	Sleep Mode	19
	Printing Reports	20
	How to print a report	20

Section II Copy

4 Making copies 22

How to copy	22
Making a single copy	22
Making multiple copies	22
Stop copying	22
Copy options	22
Changing copy speed and quality	23
Enlarging or reducing the image copied	24
Making N in 1 copies or a poster (Page Layout)	25
Adjusting Brightness and Contrast	26
Paper options	27

Section III Direct Printing

5 Printing photos from a memory card or USB Flash memory drive 30

PhotoCapture Center™ Operations	30
Printing from a memory card or USB Flash memory drive without a PC	30
Scanning to a memory card or USB Flash memory drive without a PC	30
Using PhotoCapture Center™ from your computer	30
Using memory card or USB Flash memory drive	30
Memory cards, USB Flash memory drive and folder structures	31
Getting started	32
How to print from a memory card or USB Flash memory drive	33
Print Index (Thumbnails)	33
Printing Photos	34
DPOF printing	35
PhotoCapture Center™ print settings	36
Print quality	36
Paper Options	36
Colour Enhancement	37
Cropping	39
Borderless printing	40
Date Print	40
Scan to a memory card or USB Flash memory drive	40
Changing the image quality	41
Changing the monochrome file format	41
Changing the colour file format	41
Understanding the Error Messages	42

6	Printing photos from a camera (DCP-193C, DCP-195C, DCP-197C, DCP-365CN only)	43
----------	---	-----------

Printing photos directly from a PictBridge camera.....	43
PictBridge requirements	43
Setting your digital camera	43
Printing Images.....	44
DPOF printing.....	44
Printing photos directly from a digital camera (without PictBridge).....	45
Printing Images.....	45
Understanding the Error Messages.....	46

Section IV Software

7	Software and Network features	48
----------	--------------------------------------	-----------

Section V Appendixes

A	Safety and Legal	50
----------	-------------------------	-----------

Choosing a location	50
To use the machine safely.....	51
Important safety instructions.....	55
IMPORTANT - For your safety	56
LAN connection	56
Radio interference	56
EU Directive 2002/96/EC and EN50419.....	57
International ENERGY STAR® Qualification Statement.....	57
Legal limitations for copying	58
Trademarks.....	59

B	Troubleshooting and Routine Maintenance	60
	Troubleshooting	60
	If you are having difficulty with your machine	60
	Error and Routine Maintenance messages	65
	Printer jam or paper jam	69
	Routine maintenance	71
	Replacing the ink cartridges	71
	Cleaning the outside of the machine	73
	Cleaning the scanner glass	74
	Cleaning the machine's printer platen	74
	Cleaning the paper pick-up rollers	75
	Cleaning the print head	75
	Checking the print quality	76
	Checking the print alignment	77
	Checking the ink volume	77
	Machine Information	78
	Checking the serial number	78
	Reset functions	78
	How to reset the machine	78
	Packing and shipping the machine	79
C	Menu and Features	81
	On-screen programming	81
	Menu table	81
	Memory storage	81
	Menu keys	81
	Menu Table	83
D	Specifications	93
	General	93
	Print media	95
	Copy	96
	PhotoCapture Center™	97
	PictBridge (DCP-193C, DCP-195C, DCP-197C and DCP-365CN only)	98
	Scanner	99
	Printer	100
	Interfaces	101
	Computer requirements	102
	Consumable items	103
	Network (LAN) (DCP-365CN, DCP-373CW, DCP-375CW and DCP-377CW only)	104
	Wireless one-push configuration (DCP-373CW/375CW/377CW)	105
E	Index	106



General

General Information	2
Loading paper and documents	8
General Setup	19

Using the documentation

Thank you for buying a Brother machine! Reading the documentation will help you make the most of your machine.

Symbols and conventions used in the documentation

The following symbols and conventions are used throughout the documentation.

Bold	Bold typeface identifies specific buttons on the machine's control panel, or on the computer screen.
<i>Italics</i>	Italicized typeface emphasizes an important point or refers you to a related topic.
Courier New	Text in Courier New font identifies messages on the LCD of the machine.

WARNING

Warnings tell you what to do to prevent possible personal injury.

CAUTION

Cautions specify procedures you must follow or avoid to prevent possible minor injuries.

IMPORTANT

IMPORTANT describes procedures you must follow or avoid to prevent possible machine problems or damage to other objects.



Electrical Hazard icons alert you to a possible electrical shock.



Hot Surface icons warn you not to touch machine parts that are hot.



Notes tell you how you should respond to a situation that may arise or give tips about how the current operation works with other features.

Accessing the Software User's Guide and Network User's Guide

Note

Network User's Guide is only available for DCP-365CN, DCP-373CW, DCP-375CW and DCP-377CW.

This User's Guide does not contain all the information about the machine such as how to use the advanced features of the Printer, Scanner and Network. When you are ready to learn detailed information about these operations, read **Software User's Guide** and **Network User's Guide** that are on the CD-ROM.

Viewing Documentation

Viewing Documentation (Windows®)

To view the documentation, from the **Start** menu, point to **Brother, DCP-XXXX** (where XXXX is your model number) from the programs group, and then choose **User's Guides in HTML format**.

If you have not installed the software, you can find the documentation by following the instructions below:

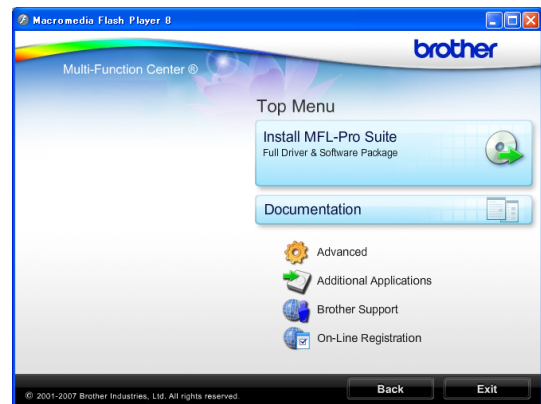
- 1 Turn on your PC. Insert the Brother CD-ROM into your CD-ROM drive.

Note

If the Brother screen does not appear automatically, go to **My Computer (Computer)**, double-click the CD-ROM icon, and then double-click **start.exe**.

- 2 If the model name screen appears, click your model name.

- 3 If the language screen appears, click your language. The CD-ROM top menu will appear.



- 4 Click **Documentation**.
- 5 Click the documentation you want to read.

- **HTML documents:**
Software User's Guide and **Network User's Guide** in HTML format.

This format is recommended for viewing on your computer.

- **PDF documents:**
User's Guide for stand-alone operations, **Software User's Guide** and **Network User's Guide** in PDF format.

This format is recommended for printing the manuals. Click to go to the Brother Solutions Center, where you can view or download the PDF documents. (Internet access and PDF Reader software are required.)

How to find Scanning instructions

There are several ways you can scan documents. You can find the instructions as follows:

Software User's Guide

- **Scanning**
(Windows® 2000 Professional/
Windows® XP and Windows Vista®)
- **ControlCenter3**
(Windows® 2000 Professional/
Windows® XP and Windows Vista®)
- **Network Scanning**
(Windows® 2000 Professional/
Windows® XP and Windows Vista®)

ScanSoft™ PaperPort™ 11SE with OCR How-to-Guide

- The complete ScanSoft™ PaperPort™ 11SE with OCR How-to-Guides can be viewed from the Help Selection in the ScanSoft™ PaperPort™ 11SE application.

How to find Network setup instructions (DCP-373CW, DCP-375CW and DCP-377CW only)

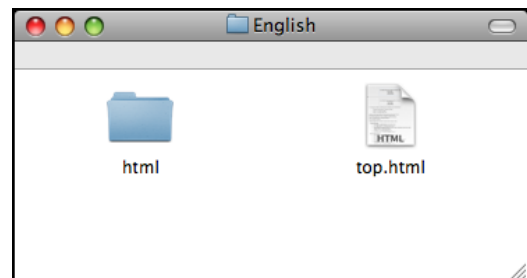
Your machine can be connected to a wireless or wired network. You can find basic setup instructions in the Quick Setup Guide. If your wireless access point supports SecureEasySetup™, Wi-Fi Protected Setup or AOSS™, follow the steps in the Quick Setup Guide. For more information about network setup please see the Network User's Guide.

Viewing Documentation (Macintosh)

- 1 Turn on your Macintosh. Insert the Brother CD-ROM into your CD-ROM drive. The following window will appear.



- 2 Double-click the **Documentation** icon.
- 3 Double-click your language folder.
- 4 Double-click **top.html** to view **Software User's Guide** and **Network User's Guide** in HTML format.



- 5 Click the documentation you want to read.
 - **Software User's Guide**
 - **Network User's Guide**

How to find Scanning instructions

There are several ways you can scan documents. You can find the instructions as follows:

Software User's Guide

- *Scanning*
(Mac OS X 10.3.9 - 10.5.x)
- *ControlCenter2*
(Mac OS X 10.3.9 - 10.5.x)
- *Network Scanning*
(Mac OS X 10.3.9 - 10.5.x)

Presto! PageManager User's Guide

- Instructions for scanning directly from Presto! PageManager. The complete Presto! PageManager User's Guide can be viewed from the Help selection in the Presto! PageManager application.

How to find Network setup instructions (DCP-373CW, DCP-375CW and DCP-377CW only)

Your machine can be connected to a wireless or wired network. You can find basic setup instructions in the Quick Setup Guide. If your wireless access point supports SecureEasySetup™, Wi-Fi Protected Setup or AOSS™, follow the steps in the Quick Setup Guide. For more information about network setup please see the Network User's Guide.

Accessing Brother Support (Windows®)

You can find all the contacts you will need, such as Web support (Brother Solutions Center) and on the Brother CD-ROM.

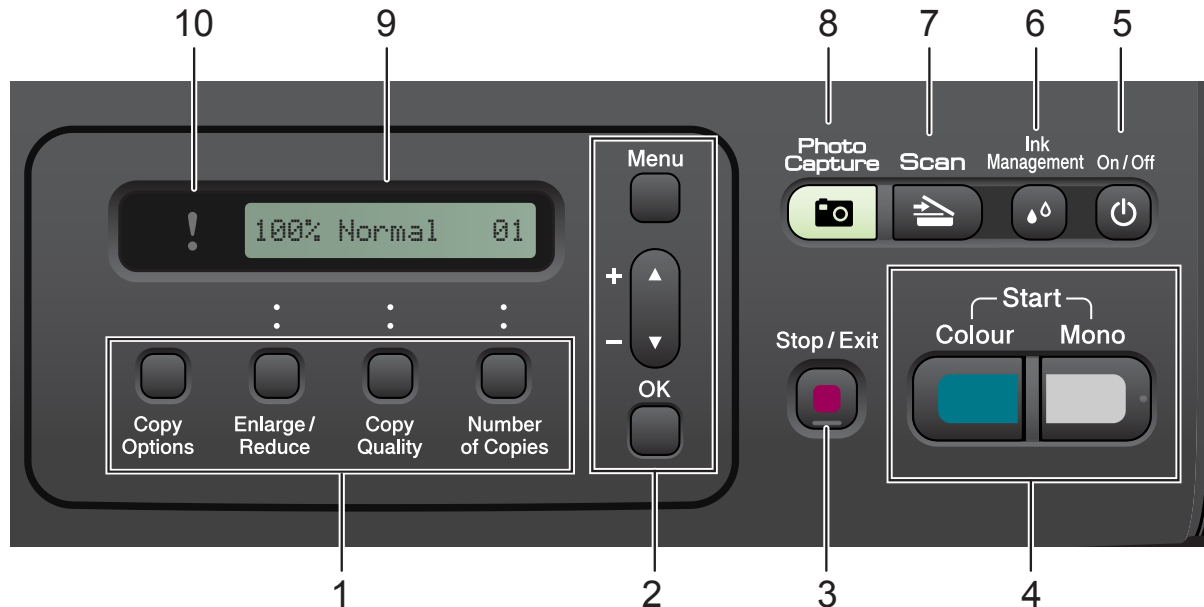
- Click **Brother Support** on the top menu. The following screen will appear:



- To access our website (<http://www.brother.com>), click **Brother Home Page**.
- For the latest news and product support information (<http://solutions.brother.com>), click **Brother Solutions Center**.
- To visit our website for original Brother supplies (<http://www.brother.com/original/>), click **Supplies Information**.
- To access the Brother CreativeCenter (<http://www.brother.com/creativecenter/>) for FREE photo projects and printable downloads, click **Brother CreativeCenter**.
- To return to the top menu, click **Back** or if you have finished, click **Exit**.

Control panel overview

The **DCP-193C**, **DCP-195C**, **DCP-197C**, **DCP-365CN**, **DCP-373CW**, **DCP-375CW** and **DCP-377CW** have the same control panel keys.



1 Copy keys:

Lets you temporarily change the copy settings when in copy mode.

■ Copy Options

You can quickly and easily select temporary settings for copying.

■ Enlarge/Reduce

Lets you enlarge or reduce copies depending on the ratio you select.

■ Copy Quality

Use this key to temporarily change the quality of your copies.

■ Number of Copies

Use this key to make multiple copies.

2 Menu keys:

■ Menu

Lets you access the main menu.

■ +▲ or -▼

Press to scroll through the menus and options.

■ OK

Lets you select a setting.

3 Stop/Exit

Stops an operation or exits from a menu.

4 Start keys:

■ Mono Start

Lets you start making copies in monochrome. Also lets you start a scanning operation (in colour or mono, depending on the scanning setting in the ControlCenter software).

■ Colour Start

Lets you start making copies in full colour. Also lets you start a scanning operation (in colour or mono, depending on the scanning setting in the ControlCenter software).

5 On/Off

You can turn the machine on and off.

If you turn the machine off, it will still periodically clean the print head to maintain print quality. To maintain print quality, prolong print head life, and provide the best ink cartridge economy, you should keep your machine connected to the power at all times.

6 Ink Management

Lets you clean the print head, check the print quality, and check the available ink volume.

7 Scan

Lets you access Scan mode.

8  **Photo Capture**

Lets you access the PhotoCapture Center™ mode.

9 **LCD (liquid crystal display)**

Displays messages on the LCD to help you set up and use your machine.

10  **Warning LED**

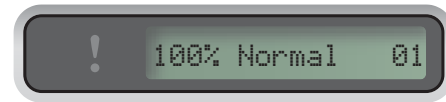
Blinks in orange when the LCD displays an error or an important status message.



**Note**

Most of the illustrations in this User's Guide show the DCP-375CW.

Warning LED indications

The Warning LED (Light Emitting Diode) is a light that shows the DCP status. The LCD shows the current machine status when the machine is idle.



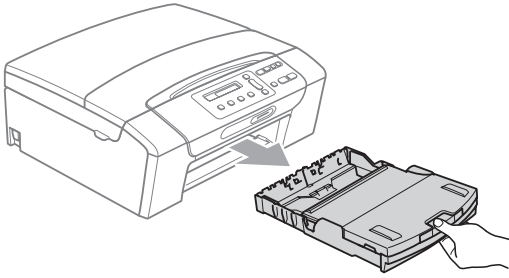
LED	DCP status	Description
 Off	Ready	The DCP is ready for use.
 Orange	Cover open	The cover is open. Close the cover. (See <i>Error and Routine Maintenance messages</i> on page 65.)
	Cannot print	Replace the ink cartridge with a new one. (See <i>Replacing the ink cartridges</i> on page 71.)
	Paper error	Put paper in the tray or clear the paper jam. Check the LCD message. (See <i>Troubleshooting and Routine Maintenance</i> on page 60.)
	Other messages	Check the LCD message. (See <i>Error and Routine Maintenance messages</i> on page 65.)

2

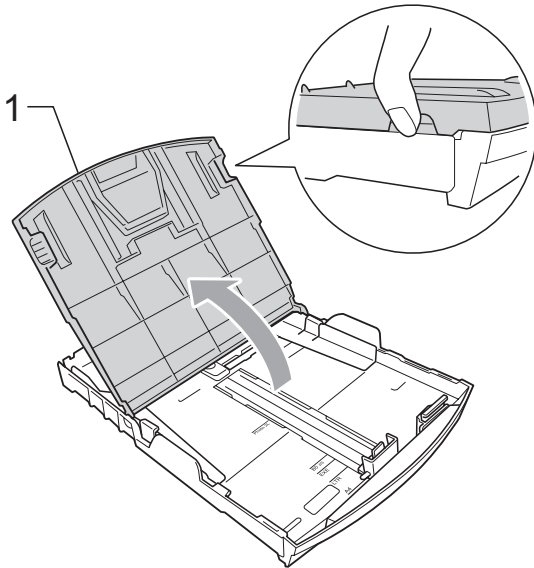
Loading paper and documents

Loading paper and other print media

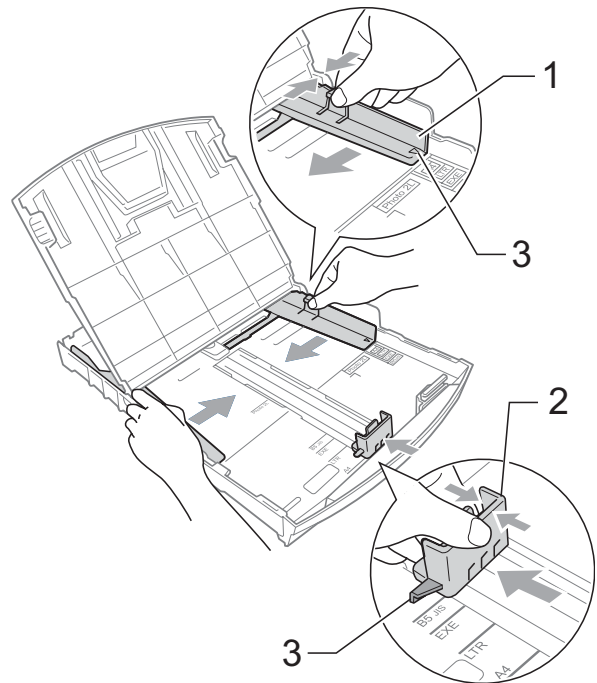
- 1 Pull the paper tray out of the machine.



- 2 Lift the output paper tray cover (1).

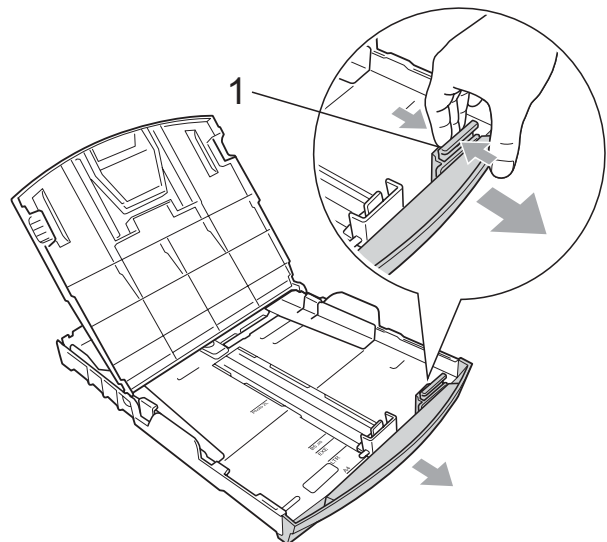


- 3 With both hands, gently press and slide the paper side guides (1) and then the paper length guide (2) to fit the paper size. Make sure that the triangular marks (3) on the paper side guides (1) and paper length guide (2) line up with the marks for the paper size you are using.

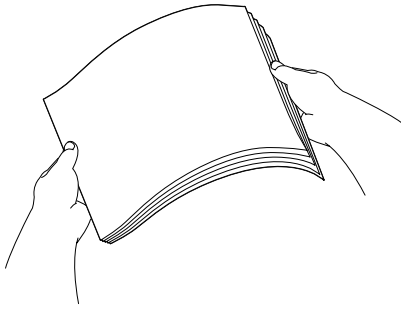


Note

When you use Legal size paper, press and hold the universal guide release button (1) as you slide out the front of the paper tray.



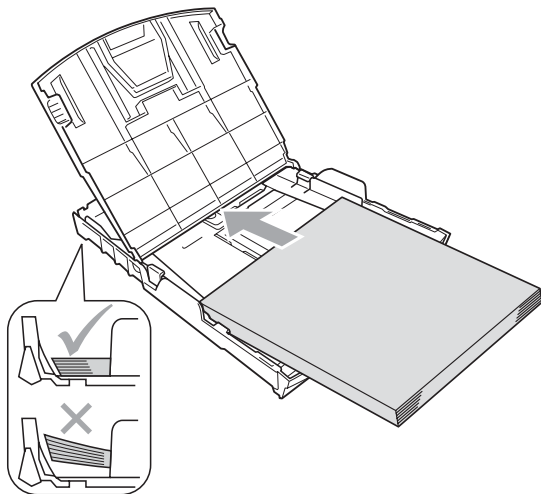
- 4 Fan the stack of paper well to avoid paper jams and misfeeds.



! IMPORTANT

Always make sure that the paper is not curled.

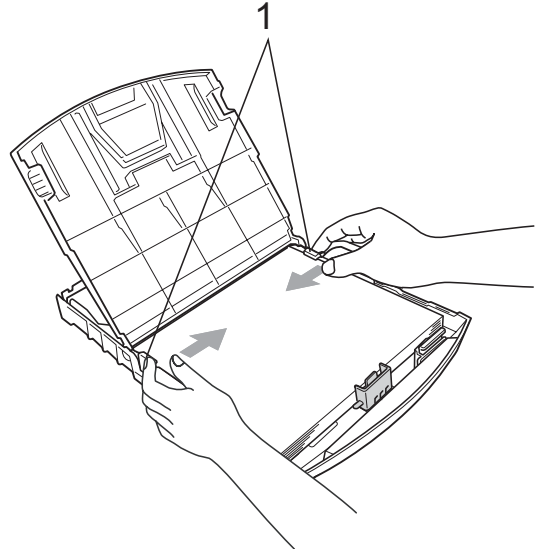
- 5 Gently put the paper into the paper tray print side down and top edge in first. Check that the paper is flat in the tray.



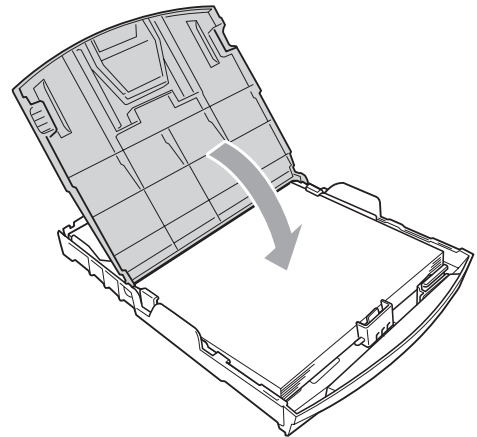
! IMPORTANT

Be careful that you do not push the paper in too far; it may lift at the back of the tray and cause feed problems.

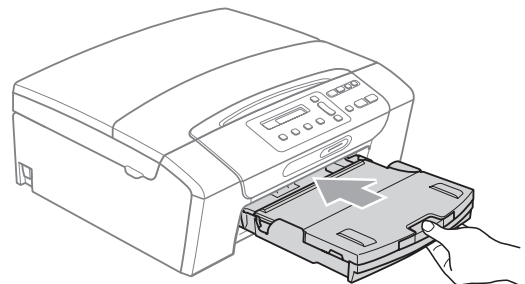
- 6 Gently adjust the paper side guides (1) to fit the paper using both hands. Make sure the paper side guides touch the sides of the paper.



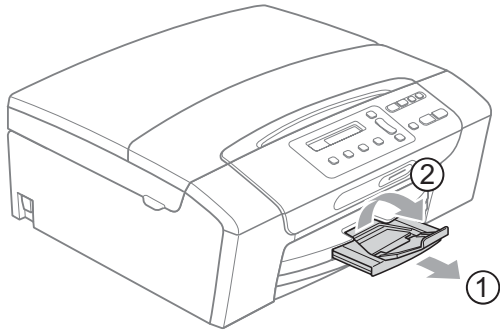
- 7 Close the output paper tray cover.



- 8 Slowly push the paper tray completely into the machine.



- 9 While holding the paper tray in place, pull out the paper support (①) until it clicks and unfold the paper support flap (②).



! IMPORTANT

DO NOT use the paper support flap for Legal size paper.

Loading envelopes and postcards

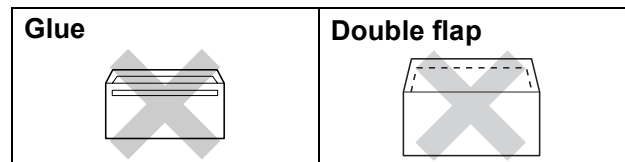
About envelopes

- Use envelopes that weigh between 80 to 95 g/m².
- Some envelopes need margin settings to be set in the application. Make sure you do a test print first before printing many envelopes.

! IMPORTANT

DO NOT use any of the following types of envelopes, as they will cause paper feed problems:

- If they are of a baggy construction.
- That are embossed (have raised writing on them).
- That have clasps or staples.
- That are pre-printed on the inside.



Occasionally you may experience paper feed problems caused by the thickness, size and flap shape of the envelopes you are using.

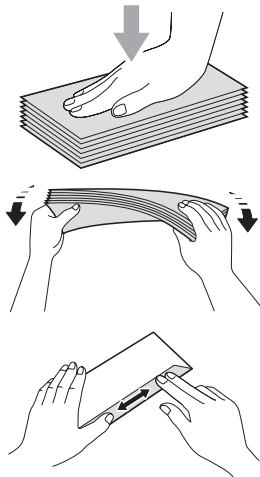
Loading envelopes and postcards

- 1 Before loading, press the corners and sides of envelopes or postcards to make them as flat as possible.

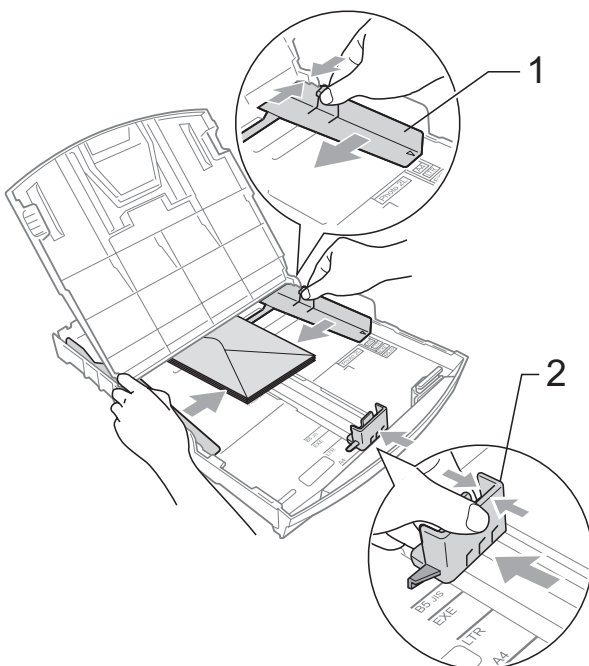


Note

If envelopes or postcards are 'double-feeding', put one envelope or postcard in the paper tray at a time.

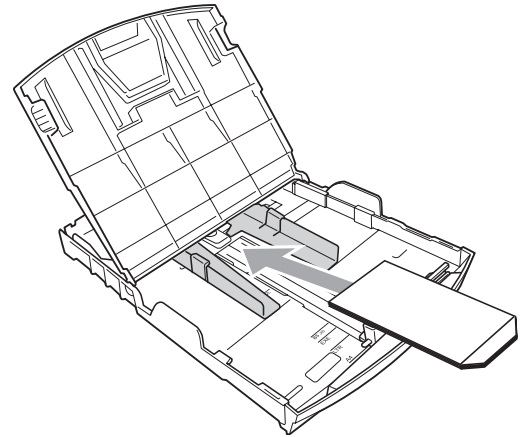


- 2 Put envelopes or postcards into the paper tray with the side to be printed on face down, and the shortest edge in first as shown in the illustration. With both hands, gently press and slide the paper side guides (1) and paper length guide (2) to fit the size of the envelopes or postcards.



If you have problems printing on envelopes with the flap on the short edge, try the following:

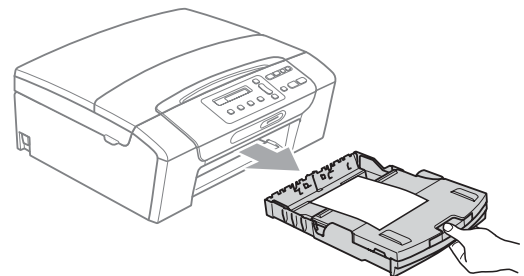
- 1 Open the envelope flap.
- 2 Put the envelope into the paper tray with the address side down and the flap positioned as shown in the illustration.



- 3 Adjust the size and margin in your application.

Removing small printouts from the machine

When the machine ejects small paper onto the output paper tray you may not be able to reach it. Make sure printing has finished, and then pull the tray completely out of the machine.

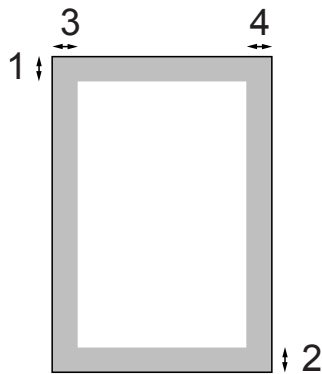


Printable area

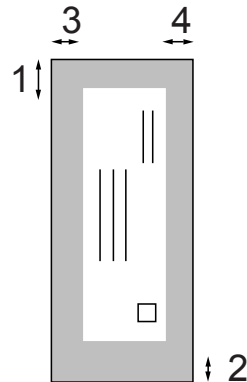
The printable area depends on the settings in the application you are using. The figures below show the unprintable areas on cut sheet paper and envelopes. The machine can print in the shaded areas of cut sheet paper when the Borderless print feature is available and turned on.

(See *Printing for Windows*[®] or *Printing and Faxing for Macintosh* in the *Software User's Guide* on the CD-ROM.)

Cut Sheet Paper



Envelopes



	Top (1)	Bottom (2)	Left (3)	Right (4)
Cut Sheet	3 mm	3 mm	3 mm	3 mm
Envelopes	12 mm	24 mm	3 mm	3 mm



Note

The Borderless feature is not available for envelopes.

Acceptable paper and other print media

The print quality can be affected by the type of paper you use in the machine.

To get the best print quality for the settings you have chosen, always set the Paper Type to match the type of paper you load.

You can use plain paper, inkjet paper (coated paper), glossy paper, transparencies and envelopes.

We recommend testing various paper types before buying large quantities.

For best results, use the Brother paper.

- When you print on inkjet paper (coated paper), transparencies and photo paper, be sure to choose the correct print media in the '**Basic**' tab of the printer driver or in the Paper Type setting of the menu. (See *Paper Type* on page 27.)
- When you print on Brother Photo paper, load one extra sheet of the same photo paper in the paper tray. An extra sheet has been included in the paper package for this purpose.
- When you use transparencies or photo paper, remove each sheet at once to prevent smudging or paper jams.
- Avoid touching the printed surface of the paper immediately after printing; the surface may not be completely dry and may stain your fingers.

Recommended print media

To get the best print quality, we suggest using Brother paper. (See the table below.)

If Brother paper is not available in your country, we recommend testing various papers before purchasing large quantities.

We recommend using '3M Transparency Film' when you print on transparencies.

Brother paper

Paper Type	Item
A4 Plain	BP60PA
A4 Glossy Photo	BP71GA4
A4 Inkjet (Matte)	BP60MA
10 × 15 cm Glossy Photo	BP71GP

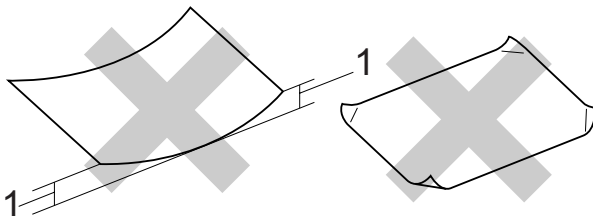
Handling and using print media

- Store paper in its original packaging, and keep it sealed. Keep the paper flat and away from moisture, direct sunlight and heat.
- Avoid touching the shiny (coated) side of photo paper. Load photo paper with the shiny side facing down.
- Avoid touching either side of transparencies because they absorb water and perspiration easily, and this may cause decreased output quality. Transparencies designed for laser printers/copiers may stain your next document. Use only transparencies recommended for inkjet printing.

! IMPORTANT

DO NOT use the following kinds of paper:

- Damaged, curled, wrinkled, or irregularly shaped paper



1 2 mm or greater curve may cause jams to occur.

- Extremely shiny or highly textured paper
- Paper that cannot be arranged uniformly when stacked
- Paper made with a short grain

Paper capacity of the output paper tray cover

Up to 50 sheets of 20 lb Letter or 80 g/m² A4 paper.

- Transparencies and photo paper must be picked up from the output paper tray cover one page at a time to avoid smudging.

Choosing the right print media

Paper type and size for each operation

Paper Type	Paper Size		Usage		
			Copy	Photo Capture	Printer
Cut Sheet	Letter	215.9 × 279.4 mm (8 1/2 × 11 in.)	Yes	Yes	Yes
	A4	210 × 297 mm (8.3 × 11.7 in.)	Yes	Yes	Yes
	Legal	215.9 × 355.6 mm (8 1/2 × 14 in.)	Yes	–	Yes
	Executive	184 × 267 mm (7 1/4 × 10 1/2 in.)	–	–	Yes
	JIS B5	182 × 257 mm (7.2 × 10.1 in.)	–	–	Yes
	A5	148 × 210 mm (5.8 × 8.3 in.)	Yes	–	Yes
	A6	105 × 148 mm (4.1 × 5.8 in.)	–	–	Yes
Cards	Photo	10 × 15 cm (4 × 6 in.)	Yes	Yes	Yes
	Photo 2L	13 × 18 cm (5 × 7 in.)	–	Yes	Yes
	Index Card	127 × 203 mm (5 × 8 in.)	–	–	Yes
	Postcard 1	100 × 148 mm (3.9 × 5.8 in.)	–	–	Yes
	Postcard 2 (Double)	148 × 200 mm (5.8 × 7.9 in.)	–	–	Yes
Envelopes	C5 Envelope	162 × 229 mm (6.4 × 9 in.)	–	–	Yes
	DL Envelope	110 × 220 mm (4.3 × 8.7 in.)	–	–	Yes
	COM-10	105 × 241 mm (4 1/8 × 9 1/2 in.)	–	–	Yes
	Monarch	98 × 191 mm (3 7/8 × 7 1/2 in.)	–	–	Yes
	JE4 Envelope	105 × 235 mm (4.1 × 9.3 in.)	–	–	Yes
Transparencies	Letter	215.9 × 279.4 mm (8 1/2 × 11 in.)	Yes	–	Yes
	A4	210 × 297 mm (8.3 × 11.7 in.)	Yes	–	Yes
	Legal	215.9 × 355.6 mm (8 1/2 × 14 in.)	Yes	–	Yes
	A5	148 × 210 mm (5.8 × 8.3 in.)	Yes	–	Yes

Paper weight, thickness and capacity

Paper Type		Weight	Thickness	No. of sheets
Cut Sheet	Plain Paper	64 to 120 g/m ²	0.08 to 0.15 mm	100 ¹
	Inkjet Paper	64 to 200 g/m ²	0.08 to 0.25 mm	20
	Glossy Paper	Up to 220 g/m ²	Up to 0.25 mm	20 ²
Cards	Photo Card	Up to 220 g/m ²	Up to 0.25 mm	20 ²
	Index Card	Up to 120 g/m ²	Up to 0.15 mm	30
	Postcard	Up to 200 g/m ²	Up to 0.25 mm	30
Envelopes		75 to 95 g/m ²	Up to 0.52 mm	10
Transparencies		–	–	10

¹ Up to 100 sheets of 80 g/m² paper.

² BP71 260 g/m² paper is especially designed for Brother inkjet machines.

Loading documents

You can make copies and scan from the scanner glass.

Using the scanner glass

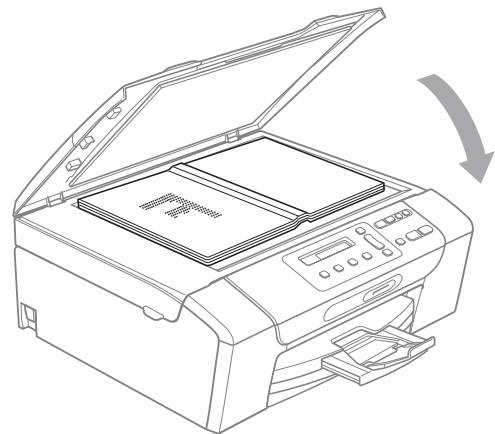
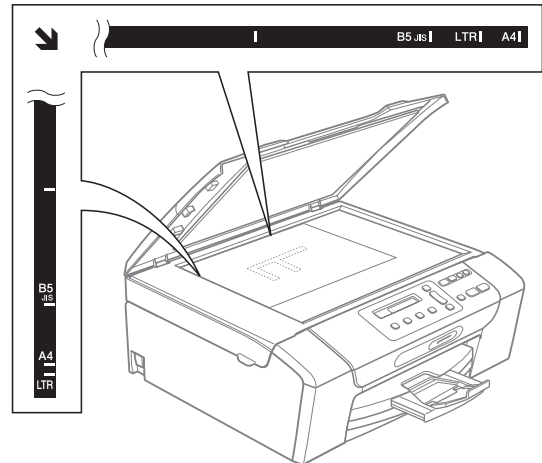
You can use the scanner glass to copy or scan pages of a book or one page at a time.

Document Sizes Supported

Length:	Up to 297 mm
Width:	Up to 215.9 mm
Weight:	Up to 2 kg

How to load documents

- 1 Lift the document cover.
- 2 Using the document guidelines on the left and top, place the document face down in the upper left corner of the scanner glass.



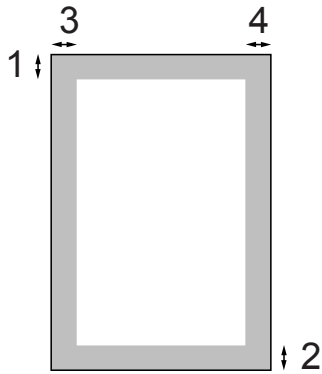
- 3 Close the document cover.

! IMPORTANT

If you are scanning a book or thick document, DO NOT slam the cover or press on it.

Scannable area

The scannable area depends on the settings in the application you are using. The figures below show unscannable areas.



Usage	Document Size	Top (1) Bottom (2)	Left (3) Right (4)
Copy	Letter	3 mm	3 mm
	A4	3 mm	3 mm
Scan	Letter	3 mm	3 mm
	A4	3 mm	3 mm

LCD display

Changing LCD language

You can change the LCD language.

- 1 Press **Menu**.
- 2 Press **▲** or **▼** to choose 0.Initial Setup.
Press **OK**.
- 3 Press **▲** or **▼** to choose 0.Local Language.
Press **OK**.
- 4 Press **▲** or **▼** to choose your language.
Press **OK**.
- 5 Press **Stop/Exit**.

Changing the LCD contrast

You can adjust the LCD contrast for a sharper and more vivid display. If you are having difficulty reading the LCD, try changing the contrast setting.

- 1 Press **Menu**.
- 2 Press **▲** or **▼** to choose 0.Initial Setup.
Press **OK**.
- 3 Press **▲** or **▼** to choose 2.LCD Contrast.
Press **OK**.
- 4 Press **▲** or **▼** to choose Light or Dark.
Press **OK**.
- 5 Press **Stop/Exit**.

Sleep Mode

You can choose how long the machine must be idle (from 1 to 60 minutes) before it goes into sleep mode. The timer will restart if any operation is carried out on the machine.

- 1 Press **Menu**.
- 2 Press **▲** or **▼** to choose 0.Initial Setup.
Press **OK**.
- 3 Press **▲** or **▼** to choose 3.Sleep Mode.
Press **OK**.
- 4 Press **▲** or **▼** to choose 1 Min, 2 Mins, 3 Mins, 5 Mins, 10 Mins, 30 Mins or 60 Mins, which is the length of time the machine is idle before entering sleep mode.
Press **OK**.
- 5 Press **Stop/Exit**.

Printing Reports

The following reports are available:

■ **Help List**

A help list showing how to program your machine.

■ **User Settings**

Lists your settings.

■ **Network Config**

(DCP-365CN, DCP-373CW, DCP-375CW and DCP-377CW only)

Lists your Network settings.

How to print a report

- 1 Press **Menu**.
- 2 (DCP-193C, DCP-195C and DCP-197C)
Press ▲ or ▼ to choose
3. Print Reports.
Press **OK**.

(DCP-365CN, DCP-373CW, DCP-375CW and DCP-377CW)
Press ▲ or ▼ to choose
4. Print Reports.
Press **OK**.
- 3 Press ▲ or ▼ to choose the report you want.
Press **OK**.
- 4 Press **Mono Start**.
- 5 Press **Stop/Exit**.



Copy

Making copies

22

4

Making copies

How to copy

You can use your machine as a copier, making up to 99 copies at a time.

Making a single copy

- 1 Load your document.
(See *Loading documents* on page 17.)
- 2 Press **Mono Start** or **Colour Start**.

Making multiple copies

You can make up to 99 copies in one print run.

- 1 Load your document.
(See *Loading documents* on page 17.)
- 2 Press **Number of Copies** repeatedly until the number of copies you want appears (up to 99).
Or press ▲ or ▼ to change the number of copies.
- 3 Press **Mono Start** or **Colour Start**.

Stop copying

To stop copying, press **Stop/Exit**.

Copy options

When you want to quickly change the copy settings temporarily for the next copy, use the temporary Copy keys. You can use different combinations.



Copy Options



Enlarge/Reduce



Copy Quality



Number of Copies

The machine returns to its default settings 1 minute after it finishes copying.




Note

You can save some of the copy settings you use most often by setting them as default. You can find instructions on how to do this in the section for each feature.

Changing copy speed and quality

You can select from a range of quality settings. The default setting is *Normal*.

To *temporarily* change the quality setting, follow the instructions below:

Press  Copy Quality	Normal	Normal is the recommended mode for ordinary print outs. This produces good copy quality with good copy speed.
	Fast	Fast copy speed and lowest ink consumption. Use to save time printing documents to be proof-read, large documents or many copies.
	Best	Use best mode to copy precise images such as photographs. This provides the highest resolution and the slowest speed.


- 1 Load your document.
- 2 Press **Copy Quality** repeatedly to choose *Normal*, *Fast* or *Best*.
- 3 Press **Mono Start** or **Colour Start**.

To change the default setting, follow the instructions below:

- 1 Press **Menu**.
- 2 Press **▲** or **▼** to choose 1.Copy. Press **OK**.
- 3 Press **▲** or **▼** to choose 3.Quality. Press **OK**.
- 4 Press **▲** or **▼** to choose *Normal*, *Fast* or *Best*. Press **OK**.
- 5 Press **Stop/Exit**.

Enlarging or reducing the image copied

You can choose an enlargement or reduction ratio. If you choose **Fit to Page**, your machine will adjust the size automatically to the paper size you set.

Press	
 Enlarge / Reduce	Fit to Page
	Custom (25-400%)
	198% 10x15cm→A4
	186% 10x15cm→LTR
	142% A5→A4
	100%
	97% LTR→A4
	93% A4→LTR
	83%
	69% A4→A5
	47% A4→10x15cm

To enlarge or reduce the next copy follow the instructions below:

- 1 Load your document.
- 2 Press **Enlarge/Reduce**.
- 3 Do one of the following:
 - Press ▲ or ▼ to choose the enlargement or reduction ratio you want. Press **OK**.
 - Press ▲ or ▼ to choose Custom (25-400%). Press **OK**. Press ▲ or ▼ repeatedly to enter an enlargement or reduction ratio from 25% to 400%. Press **OK**.
- 4 Press **Mono Start** or **Colour Start**.



Note

- Page Layout Options are *not* available with **Enlarge/Reduce**.
- **Fit to Page** does not work properly when the document on the scanner glass is skewed more than 3 degrees. Using the document guidelines on the left and top, place your document in the upper left hand corner, with the document face down on the scanner glass.


Making N in 1 copies or a poster (Page Layout)

The N in 1 copy feature can help you save paper by letting you copy two or four pages onto one printed page.

You can also produce a poster. When you use the poster feature your machine divides your document into sections, then enlarges the sections so you can assemble them into a poster.

! IMPORTANT

- Make sure paper size is set to Letter or A4.
- You cannot use the Enlarge/Reduce settings with the N in 1 and Poster features.
- N in 1 colour copies are not available.
- (P) means Portrait and (L) means Landscape.
- You can only make one poster copy at a time.

Press  Copy Options and then ▲ or ▼ to choose Page Layout	Off(1 in 1)
	2 in 1 (P)
	2 in 1 (L)
	4 in 1 (P)
	4 in 1 (L)
	Poster(3 x 3)

- 1 Load your document.
- 2 Enter the number of copies you want.
- 3 Press **Copy Options** and ▲ or ▼ to choose Page Layout. Press **OK**.
- 4 Press ▲ or ▼ to choose 2 in 1 (P), 2 in 1 (L), 4 in 1 (P), 4 in 1 (L), Poster(3 x 3) or Off(1 in 1). Press **OK**.
- 5 Press **Mono Start** to scan the document. You can also press **Colour Start** if you are using the Poster layout.
- 6 After the machine scans the page, press ▲ (Yes) to scan the next page.

Next Page?

▲ Yes ▼ No
- 7 Place the next page on the scanner glass. Press **OK**.

Set Next Page

Then Press OK
- 8 Repeat steps 6 and 7 for each page of the layout.
- 9 After all the pages have been scanned, press ▼ (No) to finish.



Note

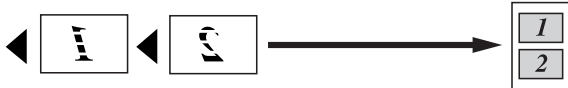
If glossy paper is selected as the paper type setting for N in 1 copies, the images will be printed as if plain paper had been selected.

If you are copying from the scanner glass, place your document face down in the direction shown below:

■ 2 in 1 (P)



■ 2 in 1 (L)



■ 4 in 1 (P)

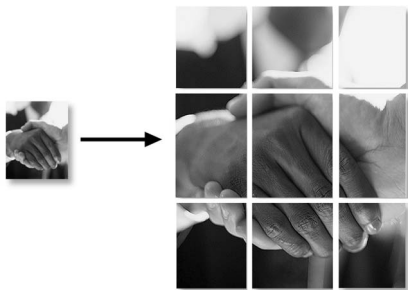


■ 4 in 1 (L)



■ Poster (3×3)

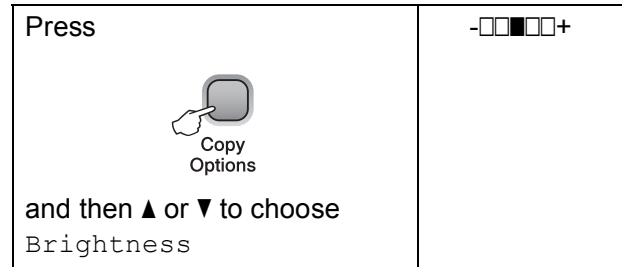
You can make a poster size copy of a photograph.




Adjusting Brightness and Contrast

Brightness

To temporarily change the brightness setting, follow the instruction below:



- 1 Load your document.
- 2 Enter the number of copies you want.
- 3 Press **Copy Options** and ▲ or ▼ to choose *Brightness*. Press **OK**.


- 4 Press ▲ or ▼ to make a lighter or darker copy. Press **OK**.
- 5 Press **Mono Start** or **Colour Start**.

To change the default setting, follow the instructions below:

- 1 Press **Menu**.
- 2 Press ▲ or ▼ to choose 1. *Copy*. Press **OK**.
- 3 Press ▲ or ▼ to choose 4. *Brightness*. Press **OK**.
- 4 Press ▲ or ▼ to make a lighter or darker copy. Press **OK**.
- 5 Press **Stop/Exit**.

Contrast


Adjust the contrast to help an image look sharper and more vivid.

- 1 Press **Menu**.
- 2 Press **▲** or **▼** to choose 1.Copy.
Press **OK**.
- 3 Press **▲** or **▼** to choose 5.Contrast.
Press **OK**.
- 4 Press **▲** or **▼** to increase or decrease the contrast.
Press **OK**.
- 5 Press **Stop/Exit**.

Paper options

Paper Type

If you are copying on special paper, be sure to select the type of paper you are using so you will get the best print quality.

Press  Copy Options and then ▲ or ▼ to choose Paper Type	Plain Paper
	Inkjet Paper
	Brother BP71
	Other Glossy
	Transparency


- 1 Load your document.
- 2 Enter the number of copies you want.
- 3 Press **Copy Options** and **▲** or **▼** to choose Paper Type.
Press **OK**.
- 4 Press **▲** or **▼** to choose the type of paper you are using.
Press **OK**.
- 5 Press **Mono Start** or **Colour Start**.

To change the default setting, follow the instructions below:

- 1 Press **Menu**.
- 2 Press **▲** or **▼** to choose 1.Copy.
Press **OK**.
- 3 Press **▲** or **▼** to choose 1.Paper Type.
Press **OK**.
- 4 Press **▲** or **▼** to choose Plain Paper, Inkjet Paper, Brother BP71, Other Glossy or Transparency.
Press **OK**.
- 5 Press **Stop/Exit**.

Paper Size

If you are copying other than A4 size, you will need to change the paper size setting. You can copy on Letter, Legal, A4, A5 or Photo 10 × 15 cm paper.

Press  Copy Options and then ▲ or ▼ to choose Paper Size	Letter
	Legal
	A4
	A5
	10 (W) x 15 (H) cm

- 1 Load your document.
- 2 Enter the number of copies you want.
- 3 Press **Copy Options** and ▲ or ▼ to choose Paper Size.
Press **OK**.
- 4 Press ▲ or ▼ to choose the size of paper you are using.
Press **OK**.
- 5 Press **Mono Start** or **Colour Start**.

To change the default setting, follow the instructions below:

- 1 Press **Menu**.
- 2 Press ▲ or ▼ to choose 1.Copy.
Press **OK**.
- 3 Press ▲ or ▼ to choose 2.Paper Size.
Press **OK**.
- 4 Press ▲ or ▼ to choose the paper size you are using, Letter, Legal, A4, A5 or 10x15cm.
Press **OK**.
- 5 Press **Stop/Exit**.



Direct Printing

Printing photos from a memory card or USB Flash memory drive	30
Printing photos from a camera (DCP-193C, DCP-195C, DCP-197C, DCP-365CN only)	43

5

Printing photos from a memory card or USB Flash memory drive

PhotoCapture Center™ Operations



Note

The DCP-373CW, DCP-375CW and DCP-377CW only support memory cards.

Printing from a memory card or USB Flash memory drive without a PC

Even if your machine is not connected to your computer, you can print photos directly from digital camera media or a USB Flash memory drive. (See *How to print from a memory card or USB Flash memory drive* on page 33.)

Scanning to a memory card or USB Flash memory drive without a PC

You can scan documents and save them directly to a memory card or USB Flash memory drive. (See *Scan to a memory card or USB Flash memory drive* on page 40.)

Using PhotoCapture Center™ from your computer

You can access a memory card or USB Flash memory drive that is inserted in front of the machine from your computer.

(See *PhotoCapture Center™* for Windows® or *PhotoCapture Center™* for Macintosh in the *Software User's Guide* on the CD-ROM.)

Using memory card or USB Flash memory drive

Your Brother machine has media drives (slots) for use with the following popular digital camera media: Memory Stick™, Memory Stick PRO™, SD, SDHC, xD-Picture Card™ and USB Flash memory drive.



Memory Stick™

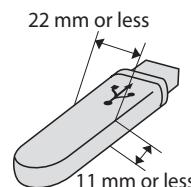


SD, SDHC

Memory Stick PRO™



xD-Picture Card™



USB Flash memory drive

- miniSD™ can be used with a miniSD™ adapter.
- microSD™ can be used with a microSD™ adapter.
- Memory Stick Duo™ can be used with a Memory Stick Duo™ adapter.
- Memory Stick PRO Duo™ can be used with a Memory Stick PRO Duo™ adapter.
- Memory Stick Micro™ (M2™) can be used with a Memory Stick Micro™ (M2™) adapter.
- Adapters are not included with the machine. Contact a third party supplier for adapters.
- This product supports xD-Picture Card™ Type M / Type M+ / Type H (Large Capacity).
- IBM Microdrive™ is not compatible with the machine.

The PhotoCapture Center™ feature lets you print digital photos from your digital camera at high resolution to get photo quality printing.

Memory cards, USB Flash memory drive and folder structures

Your machine is designed to be compatible with modern digital camera image files, memory cards or USB Flash memory drive; however, please read the points below to avoid errors:

- The image file extension must be .JPG (other image file extensions like .JPEG, .TIF, .GIF and so on will not be recognized).
- Direct PhotoCapture Center™ printing without using a PC must be performed separately from PhotoCapture Center™ operations using the PC. (Simultaneous operation is not available.)
- The machine can read up to 999 files on a memory card or USB Flash memory drive.
- The DPOF file on the memory cards must be in a valid DPOF format. (See *DPOF printing* on page 35.)

Please be aware of the following:

- When printing an index or image, the PhotoCapture Center™ will print all valid images, even if one or more images have been corrupted. Corrupted images will not be printed.
- (Memory card users)

Your machine is designed to read memory cards that have been formatted by a digital camera.

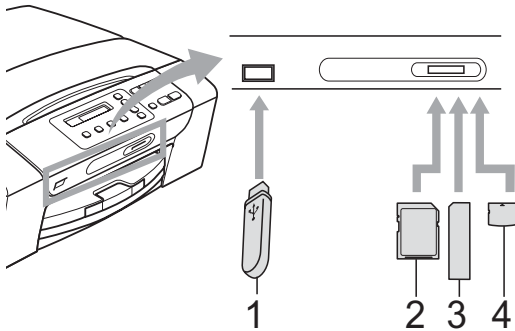
When a digital camera formats a memory card it creates a special folder into which it copies image data. If you need to modify the image data stored on a memory card with your PC, we recommend that you do not modify the folder structure created by the digital camera. When saving new or modified image files to the memory card we also recommend you use the same folder your digital camera uses. If the data is not saved to the same folder, the machine may not be able to read the file or print the image.

- (USB Flash memory drive users)

This machine supports USB Flash memory drives that have been formatted by Windows®.

Getting started

Firmly put a memory card or USB Flash memory drive into the correct slot.



- 1 USB Flash memory drive
- 2 SD, SDHC
- 3 Memory Stick™, Memory Stick PRO™
- 4 xD-Picture Card™

! IMPORTANT

The USB direct interface supports only a USB Flash memory drive, a PictBridge compatible camera, or a digital camera that uses the USB mass storage standard. Any other USB devices are not supported.

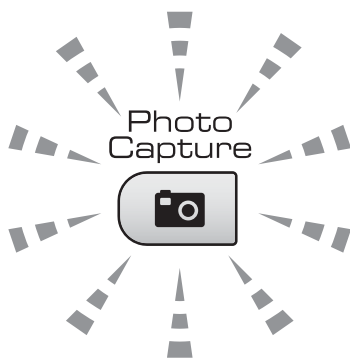
- **Photo Capture** light is blinking, the memory card or USB Flash memory drive is being read or written to.

! IMPORTANT

DO NOT unplug the power cord or remove the memory card or USB Flash memory drive from the media drive (slot) or USB direct interface while the machine is reading or writing to the memory card or USB Flash memory drive (the **Photo Capture** key is blinking). **You will lose your data or damage the card.**

The machine can only read one device at a time.

Photo Capture key indications:




- **Photo Capture** light is on, the memory card or USB Flash memory drive is correctly inserted.
- **Photo Capture** light is off, the memory card or USB Flash memory drive is not correctly inserted.

How to print from a memory card or USB Flash memory drive

Before printing a photo you must first print a thumbnail index to choose the number of the photo you want to print. Follow the instructions below to start printing directly from your memory card or USB Flash memory drive:

- 1 Make sure you have put the memory card or USB Flash memory drive in the correct slot. For example, the LCD will show the following message:

M.Stick Active
- 2 Press  (**Photo Capture**).
For DPOF printing, see *DPOF printing* on page 35.
- 3 Press **▲** or **▼** to choose `Print Index` and then press **OK**.
- 4 Press **Colour Start** to start printing the index sheet. Make a note of the image number you want to print. See *Print Index (Thumbnails)* on page 33.
- 5 To print images press **▲** or **▼** to choose `Print Images` in 3 and then press **OK**. (See *Printing Photos* on page 34.)
- 6 Enter the image number and press **OK**.
- 7 Press **Colour Start** to start printing.

Print Index (Thumbnails)

The PhotoCapture Center™ assigns numbers for images (such as NO.1, NO.2, NO.3, and so on).




→ NO.1
DEL.JPG 01.01.2009
100KB

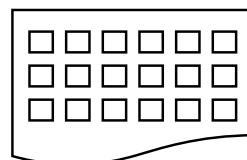
The PhotoCapture Center™ uses these numbers to identify each picture. You can print a thumbnail page to show all the pictures on the memory card or USB Flash memory drive.



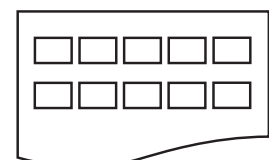
Note

Only file names that are 8 characters or less will be printed correctly on the index sheet.

- 1 Make sure you have put the memory card or USB Flash memory drive in the correct slot.
Press  (**Photo Capture**).
- 2 Press **▲** or **▼** to choose `Print Index`. Press **OK**.
- 3 Press **▲** or **▼** to choose `6 Images/Line` or `5 Images/Line`. Press **OK**.



6 Images/Line




5 Images/Line

Print time for 5 Images/Line will be slower than 6 Images/Line, but the quality is better.

- 4 Press ▲ or ▼ to choose the type of paper you are using, Plain Paper, Inkjet Paper, Brother BP71 or Other Glossy. Press **OK**.
- 5 Press ▲ or ▼ to choose the paper size you are using, A4 or Letter. Press **OK**.
- 6 Press **Colour Start** to print.

Printing Photos

Before you can print an individual image, you have to know the image number.

- 1 Make sure you have put the memory card or USB Flash memory drive in the correct slot.
- 2 Print the index first. (See *Print Index (Thumbnails)* on page 33.)
Press  (**Photo Capture**).
- 3 Press ▲ or ▼ to choose `Print Images`. Press **OK**.



Note

If your memory card or USB Flash memory drive contains valid DPOF information, the LCD will show `DPOF Print:Yes`. (See *DPOF printing* on page 35.)

- 4 Press ▲ repeatedly to enter the image number that you want to print from the thumbnail index.
After you have chosen the image numbers, press **OK**.

No.: 1, 3, 6






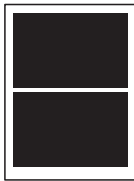


Note

- Press ▼ to decrease the image number.
- You can enter a range of numbers at one time by using the **Copy Options** key for a hyphen. (For example, enter **1**, **Copy Options**, **5** to print images No.1 to No.5.)
- You can enter up to 11 characters (including commas) for the image numbers you want to print.

- 5 After you have selected the images you want to print, press **OK** to select your settings.
If you have already chosen your settings, press **Colour Start**.

- 6 Press ▲ or ▼ to choose the type of paper you are using, Plain Paper, Inkjet Paper, Brother BP71 or Other Glossy. Press **OK**.
- 7 Press ▲ or ▼ to choose the paper size you are using, Letter, A4, 10x15cm or 13x18cm. Press **OK**.
 - If you selected Letter or A4, go to step 8.
 - If you selected another size, go to step 9.
 - If you have finished choosing settings, press **Colour Start**.
- 8 Press ▲ or ▼ to choose the print size (8 x 10cm, 9 x 13cm, 10 x 15cm, 13 x 18cm, 15 x 20cm or Max. Size). Press **OK**.
- 9 Do one of the following:
 - To choose the number of copies go to step 10.
 - If you do not want to change any settings, press **Colour Start**.
- 10 Press ▲ or ▼ to enter the number of copies you want. Press **OK**.
- 11 Press **Colour Start** to print.

The printing positions when using A4 paper are shown below.

1 8 x 10cm	2 9 x 13cm	3 10 x 15cm
		
4 13 x 18cm	5 15 x 20cm	6 Max. Size
		

5

DPOF printing

DPOF stands for Digital Print Order Format.


Major digital camera manufacturers (Canon Inc., Eastman Kodak Company, FUJIFILM Corporation, Panasonic Corporation and Sony Corporation) created this standard to make it easier to print images from a digital camera.


If your digital camera supports DPOF printing, you will be able to choose on the digital camera display the images and number of copies you want to print.

When a memory card containing DPOF information is put into your machine, you can print the chosen image easily.

- 1 Firmly insert the memory card into the correct slot.

M.Stick Active

Press  (**Photo Capture**).
- 2 Press ▲ or ▼ to choose Print Images. Press **OK**.

- 3 If there is a DPOF file on the card, the LCD will show:

- 4 Press ▲ or ▼ to choose DPOF Print:Yes.
Press **OK**.
- 5 Press ▲ or ▼ to choose the type of paper you are using, Plain Paper, Inkjet Paper, Brother BP71 or Other Glossy.
Press **OK**.
- 6 Press ▲ or ▼ to choose the paper size you are using, Letter, A4, 10x15cm or 13x18cm.
Press **OK**.
 - If you selected Letter or A4, go to step 7.
 - If you selected another size, go to step 8.
 - If you have finished choosing settings, press **Colour Start**.
- 7 Press ▲ or ▼ to choose the print size (8 x 10cm, 9 x 13cm, 10 x 15cm, 13 x 18cm, 15 x 20cm or Max. Size).
Press **OK**.
- 8 Press **Colour Start** to print.



Note

A DPOF File error can occur if the print order that was created on the camera has been corrupted. Delete and recreate the print order using your camera to correct this problem. For instructions on how to delete or recreate the print order, refer to your camera manufacturer's support website or accompanying documentation.

PhotoCapture Center™ print settings

These settings will remain until you change them again.

Print quality

- 1 Press **Menu**.
- 2 Press ▲ or ▼ to choose 2.PhotoCapture.
Press **OK**.
- 3 Press ▲ or ▼ to choose 1.Print Quality.
Press **OK**.
- 4 Press ▲ or ▼ to choose Normal or Photo.
Press **OK**.
- 5 Press **Stop/Exit**.

Paper Options

Paper Type

- 1 Press **Menu**.
- 2 Press ▲ or ▼ to choose 2.PhotoCapture.
Press **OK**.
- 3 Press ▲ or ▼ to choose 2.Paper Type.
Press **OK**.
- 4 Press ▲ or ▼ to choose Plain Paper, Inkjet Paper, Brother BP71 or Other Glossy.
Press **OK**.
- 5 Press **Stop/Exit**.

Paper Size

- 1 Press **Menu**.
- 2 Press **▲** or **▼** to choose 2.PhotoCapture. Press **OK**.
- 3 Press **▲** or **▼** to choose 3.Paper Size. Press **OK**.
- 4 Press **▲** or **▼** to choose the paper size you are using, Letter, A4, 10x15cm or 13x18cm. Press **OK**.
- 5 Press **Stop/Exit**.

Print Size

This setting is available only when you select Letter or A4 in the paper size setting.

- 1 Press **Menu**.
- 2 Press **▲** or **▼** to choose 2.PhotoCapture. Press **OK**.
- 3 Press **▲** or **▼** to choose 4.Print Size. Press **OK**.
- 4 Press **▲** or **▼** to choose the print size you are using, (8 x 10cm, 9 x 13cm, 10 x 15cm, 13 x 18cm, 15 x 20cm or Max. Size). Press **OK**.
- 5 Press **Stop/Exit**.

Colour Enhancement

You can turn on the colour enhancement feature to print more vivid images.

Brightness

- 1 Press **Menu**.
- 2 Press **▲** or **▼** to choose 2.PhotoCapture. Press **OK**.
- 3 Press **▲** or **▼** to choose 5.Color Enhance. Press **OK**.
- 4 Press **▲** or **▼** to choose On (or Off). Press **OK**.
 - If you choose Off, then go to step 7.
- 5 Press **▲** or **▼** to choose 1.Brightness. Press **OK**.
- 6 Press **▲** or **▼** to make a lighter or darker print. Press **OK**.
- 7 Press **Stop/Exit**.

Contrast

You can select the contrast setting. More contrast will make an image look sharper and more vivid.

- 1 Press **Menu**.
- 2 Press **▲** or **▼** to choose 2.PhotoCapture. Press **OK**.
- 3 Press **▲** or **▼** to choose 5.Color Enhance. Press **OK**.

- 4 Press ▲ or ▼ to choose `On` (or `Off`). Press **OK**.
 - If you choose `Off`, then go to step 7.
- 5 Press ▲ or ▼ to choose `2.Contrast`. Press **OK**.
- 6 Press ▲ or ▼ to increase or decrease the contrast. Press **OK**.
- 7 Press **Stop/Exit**.

White Balance

You can adjust the white areas of an image and bring them back to pure white.

- 1 Press **Menu**.
- 2 Press ▲ or ▼ to choose `2.PhotoCapture`. Press **OK**.
- 3 Press ▲ or ▼ to choose `5.Color Enhance`. Press **OK**.
- 4 Press ▲ or ▼ to choose `On` (or `Off`). Press **OK**.
 - If you choose `Off`, then go to step 7.
- 5 Press ▲ or ▼ to choose `3.White Balance`. Press **OK**.
- 6 Press ▲ or ▼ to adjust the degree of the balance. Press **OK**.
- 7 Press **Stop/Exit**.

Sharpness

You can enhance the focus of an image by adjusting the sharpness.

- 1 Press **Menu**.
- 2 Press ▲ or ▼ to choose `2.PhotoCapture`. Press **OK**.
- 3 Press ▲ or ▼ to choose `5.Color Enhance`. Press **OK**.
- 4 Press ▲ or ▼ to choose `On` (or `Off`). Press **OK**.
 - If you choose `Off`, then go to step 7.
- 5 Press ▲ or ▼ to choose `4.Sharpness`. Press **OK**.
- 6 Press ▲ or ▼ to increase or decrease the sharpness. Press **OK**.
- 7 Press **Stop/Exit**.

Colour Density

You can adjust the total amount of colour in the image to improve a washed out or weak picture.

- 1 Press **Menu**.
- 2 Press **▲** or **▼** to choose 2.PhotoCapture.
Press **OK**.
- 3 Press **▲** or **▼** to choose 5.Color Enhance.
Press **OK**.
- 4 Press **▲** or **▼** to choose On (or Off).
Press **OK**.
 - If you choose Off, then go to step 7.
- 5 Press **▲** or **▼** to choose 5.Color Density.
Press **OK**.
- 6 Press **▲** or **▼** to increase or decrease the amount of colour.
Press **OK**.
- 7 Press **Stop/Exit**.



Note

Choosing White Balance, Sharpness, or Colour Density will make printing time slower.

Cropping

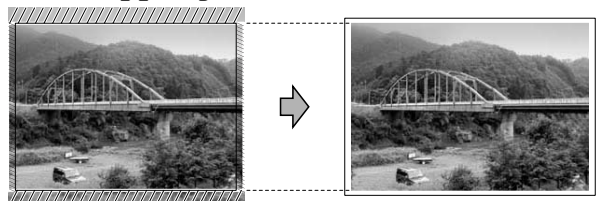
If your photo is too long or wide to fit the available space on your chosen layout, part of the image will be automatically cropped.

The default setting is On. If you want to print the whole image, turn this setting to Off.

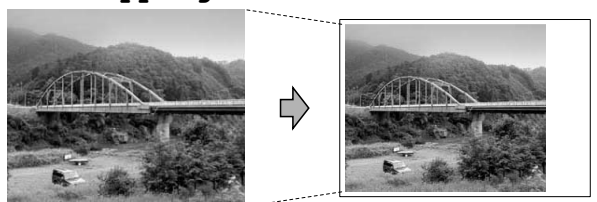
If you are also using the Borderless setting, turn Borderless to Off. (See *Borderless printing* on page 40.)

- 1 Press **Menu**.
- 2 Press **▲** or **▼** to choose 2.PhotoCapture.
Press **OK**.
- 3 Press **▲** or **▼** to choose 6.Cropping.
Press **OK**.
- 4 Press **▲** or **▼** to choose Off (or On).
Press **OK**.
- 5 Press **Stop/Exit**.

Cropping: On



Cropping: Off



Borderless printing

This feature expands the printable area to the edges of the paper. Printing time will be slightly slower.

- 1 Press **Menu**.
- 2 Press **▲** or **▼** to choose 2.PhotoCapture.
Press **OK**.
- 3 Press **▲** or **▼** to choose 7.Borderless.
Press **OK**.
- 4 Press **▲** or **▼** to choose Off (or On).
Press **OK**.
- 5 Press **Stop/Exit**.

Date Print

You can print the date if it is already in the data on your photo. The date will be printed on the lower right corner. If the data doesn't have the date information, you cannot use this function.

- 1 Press **Menu**.
- 2 Press **▲** or **▼** to choose 2.PhotoCapture.
Press **OK**.
- 3 Press **▲** or **▼** to choose 8.Date Print.
Press **OK**.
- 4 Press **▲** or **▼** to choose On (or Off).
Press **OK**.
- 5 Press **Stop/Exit**.



Note

The DPOF setting on your camera must be turned off to use the `Date Print` feature.

Scan to a memory card or USB Flash memory drive


You can scan monochrome and colour documents into a memory card or USB Flash memory drive. Monochrome documents will be stored in PDF (*.PDF) or TIFF (*.TIF) file formats. Colour documents may be stored in PDF (*.PDF) or JPEG (*.JPG) file formats. The default setting is `Color 150 dpi` and the default file format is `PDF`. The machine automatically creates file names based on the current date. (For details, see the *Quick Setup Guide*.) For example, the fifth image scanned on July 1, 2009 would be named 01070905.PDF. You can change the colour and quality.

Quality	Selectable File Format
Color 150 dpi	JPEG / PDF
Color 300 dpi	JPEG / PDF
Color 600 dpi	JPEG / PDF
B/W 200x100 dpi	TIFF / PDF
B/W 200 dpi	TIFF / PDF

- 1 Make sure you have put the memory card or USB Flash memory drive in the correct slot.

! IMPORTANT

DO NOT take out the memory card or USB Flash memory drive while **Photo Capture** is blinking to avoid damaging the card, USB Flash memory drive or data stored on them.

- 2 Load your document.
- 3 Press  (**Scan**).

- 4 Press ▲ or ▼ to choose Scan to Media.
Do one of the following:
 - To change the quality press **OK** and go to step 5.
 - To start scanning press **Mono Start** or **Colour Start**.
- 5 Press ▲ or ▼ to choose the quality, and then press **OK**.
Do one of the following:
 - To change the file type, go to step 6.
 - To start scanning press **Mono Start** or **Colour Start**.
- 6 Press ▲ or ▼ to choose the file type and then press **OK**.
Press **Mono Start** or **Colour Start**.

Changing the image quality

- 1 Press **Menu**.
- 2 Press ▲ or ▼ to choose 2.PhotoCapture.
Press **OK**.
- 3 Press ▲ or ▼ to choose 0.Scan to Media.
Press **OK**.
- 4 Press ▲ or ▼ to choose 1.Quality.
Press **OK**.
- 5 Press ▲ or ▼ to choose Color 150 dpi, Color 300 dpi, Color 600 dpi, B/W 200x100 dpi or B/W 200 dpi.
Press **OK**.
- 6 Press **Stop/Exit**.

Changing the monochrome file format

- 1 Press **Menu**.
- 2 Press ▲ or ▼ to choose 2.PhotoCapture.
Press **OK**.
- 3 Press ▲ or ▼ to choose 0.Scan to Media.
Press **OK**.
- 4 Press ▲ or ▼ to choose 2.B/W File Type.
Press **OK**.
- 5 Press ▲ or ▼ to choose TIFF or PDF.
Press **OK**.
- 6 Press **Stop/Exit**.

Changing the colour file format

- 1 Press **Menu**.
- 2 Press ▲ or ▼ to choose 2.PhotoCapture.
Press **OK**.
- 3 Press ▲ or ▼ to choose 0.Scan to Media.
Press **OK**.
- 4 Press ▲ or ▼ to choose 3.ColorFile Type.
Press **OK**.
- 5 Press ▲ or ▼ to choose PDF or JPEG.
Press **OK**.
- 6 Press **Stop/Exit**.

Understanding the Error Messages

Once you are familiar with the types of errors that can occur while you are using PhotoCapture Center™, you can easily identify and troubleshoot any problems.

■ Hub is Unusable.

This message will appear if a Hub or USB Flash memory drive with a Hub has been put into the USB direct interface.

■ Media Error

This message will appear if you put in a memory card that is either bad or not formatted, or when there is a problem with the media drive. To clear this error, take out the memory card.

■ No File

This message will appear if you try to access a memory card or USB Flash memory drive in the drive (slot) that does not contain a .JPG file.

■ Out of Memory

This message will appear if you are working with images that are too large for the machine's memory.

■ Media is Full.

This message will appear if you are trying to save more than 999 files in a memory card or USB Flash memory drive.

■ Unusable Device

This message will appear if a USB device or USB Flash memory drive that is not supported has been connected to the USB direct interface (For more information, visit us at <http://solutions.brother.com>.) This message can also appear if you connect a broken device to the USB direct interface.

Printing photos from a camera (DCP-193C, DCP-195C, DCP-197C, DCP-365CN only)

Printing photos directly from a PictBridge camera



Your Brother machine supports the PictBridge standard, allowing you to connect to and print photos directly from any PictBridge compatible digital camera.

If your camera is using the USB Mass Storage standard, you can also print photos from a digital camera without PictBridge. See *Printing photos directly from a digital camera (without PictBridge)* on page 45.

PictBridge requirements

To avoid errors, remember the following points:

- The machine and the digital camera must be connected using a suitable USB cable.
- The image file extension must be .JPG (other image file extensions like .JPEG, .TIF, .GIF and so on will not be recognized).
- PhotoCapture Center™ operations are not available when using the PictBridge feature.

Setting your digital camera

Make sure your camera is in PictBridge mode. The following PictBridge settings may be available from the LCD of your PictBridge compatible camera.

Depending on your camera some of these settings may not be available.

Camera Menu Selections	Options
Paper Size	Letter, A4, 10×15 cm, Printer Settings (Default setting) ²
Paper Type	Plain Paper, Glossy Paper, Inkjet Paper, Printer Settings (Default setting) ²
Layout	Borderless: On, Borderless: Off, Printer Settings (Default setting) ²
DPOF setting ¹	-
Print Quality	Normal, Fine, Printer Settings (Default setting) ²
Colour Enhancement	On, Off, Printer Settings (Default setting) ²
Date Print	On, Off, Printer Settings (Default setting) ²

¹ See *DPOF printing* on page 44 for more details.

² If your camera is set to use the Printer Settings (Default setting), the machine will print your photo using the following settings.

Settings	Options
Paper Size	10×15 cm
Paper Type	Glossy Paper
Layout	Borderless: On
Print Quality	Fine
Colour Enhancement	Off
Date Print	Off

- When your camera does not have any menu selections, this setting is also used.
- The names and availability of each setting depends on the specification of your camera.

Please refer to the documentation supplied with your camera for more detailed information on changing PictBridge settings.

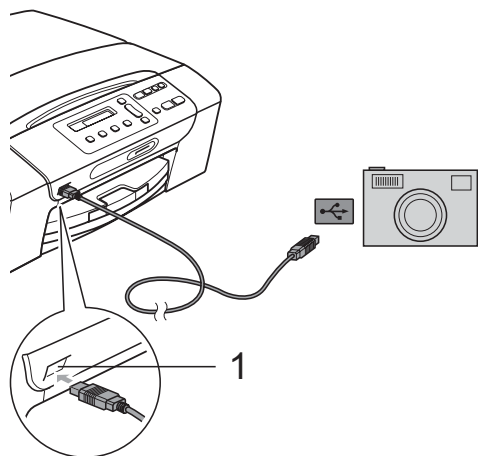
Printing Images



Note

Remove any memory cards or USB Flash memory drive from the machine before connecting a digital camera.

- 1 Make sure that your camera is turned off. Connect your camera to the USB direct interface (1) on the machine using the USB cable.



1 USB direct interface

- 2 Turn on the camera. When the machine has recognized the camera, the LCD shows the following message:

Camera Connected

- 3 Choose the photo you want to print following the instructions from your camera. When the machine starts printing a photo, the LCD will show *Printing*.

! IMPORTANT

To prevent damage to your machine, do not connect any device other than a digital camera or USB Flash memory drive to the USB direct interface.

DPOF printing

DPOF stands for Digital Print Order Format.

Major digital camera manufacturers (Canon Inc., Eastman Kodak Company, FUJIFILM Corporation, Matsushita Electric Industrial Co. Ltd. and Sony Corporation) created this standard to make it easier to print images from a digital camera.

If your digital camera supports DPOF printing, you will be able to choose on the digital camera display the images and number of copies you want to print.



Note

A DPOF File error can occur if the print order that was created on the camera has been corrupted. Delete and recreate the print order using your camera to correct this problem. For instructions on how to delete or recreate the print order, refer to your camera manufacturer's support website or accompanying documentation.

Printing photos directly from a digital camera (without PictBridge)

If your camera supports the USB Mass Storage standard, you can connect your camera in storage mode. This enables you to print photos from your camera.

If you would like to print photos in PictBridge mode, see *Printing photos directly from a PictBridge camera* on page 43.

Note

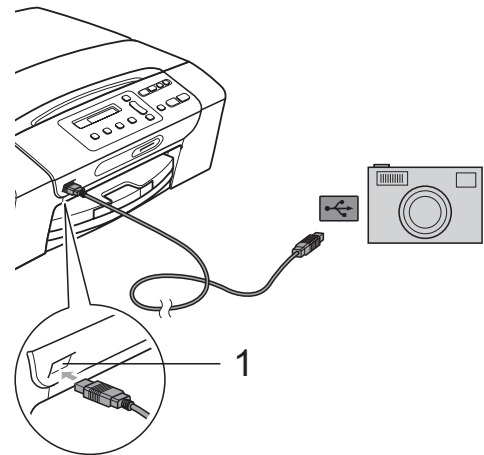
The name, availability and operation differ among digital cameras. Please refer to the documentation supplied with your camera for detailed information, such as how to switch from PictBridge mode to USB mass storage mode.

Printing Images

Note

Remove any memory cards or USB Flash memory drive from the machine before connecting the digital camera.

- 1 Connect your camera to the USB direct interface (1) on the machine using the USB cable.



1 USB direct interface

- 2 Turn on the camera.
- 3 Follow the steps in *Printing Photos* on page 34.

! IMPORTANT

To prevent damages to your machine, do not connect any device other than a digital camera or USB Flash memory drive to the USB direct interface.

Understanding the Error Messages

Once you are familiar with the types of errors that can occur while you are using a digital camera, you can easily identify and troubleshoot any problems.

■ Out of Memory

This message will appear if you are working with images that are too large for the machine's memory.

■ Unusable Device

This message will appear if you connect a camera which is not using the USB Mass storage standard. This message can also appear if you connect a broken device to the USB direct interface.

For more detailed solutions see *Error and Routine Maintenance messages* on page 65.



Software

Software and Network features

48

7

Software and Network features



Note

Network User's Guide is only available for DCP-365CN, DCP-373CW, DCP-375CW and DCP-377CW.

The CD-ROM includes the Software User's Guide and Network User's Guide for features available when connected to a computer (for example, printing and scanning). The guide has easy to use links that, when clicked, will take you directly to a particular section.

You can find information on these features:

- Printing
- Scanning
- ControlCenter3 (Windows®)
- ControlCenter2 (Macintosh)
- PhotoCapture Center™
- Network Printing
- Network Scanning
- Wired and Wireless Network

How to read the HTML User's Guide

This is a quick reference to use the HTML User's Guide.

For Windows®



Note

If you have not installed the software, see *Viewing Documentation* on page 3.

- 1 From the **Start** menu, point to **Brother**, **DCP-XXXX** (where XXXX is your model number) from the programs group, then click **User's Guides in HTML format**.
- 2 Click **SOFTWARE USER'S GUIDE** (or **NETWORK USER'S GUIDE**) from the top menu.

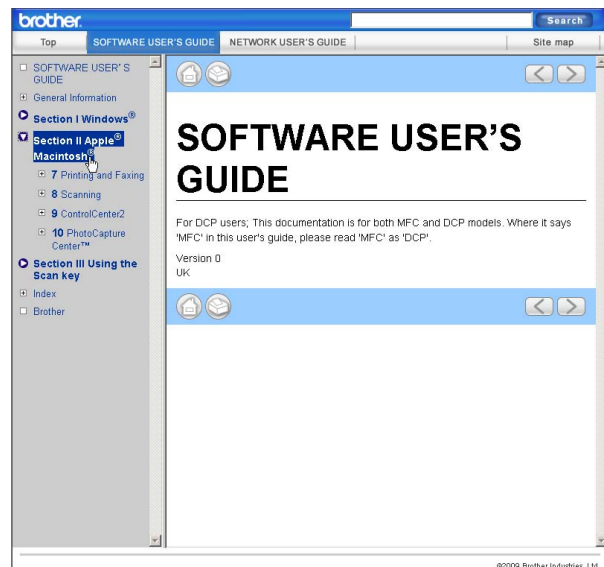


- 3 Click the heading you would like to view from the list at the left of the window.



For Macintosh

- 1 Make sure your Macintosh is turned on. Insert the Brother CD-ROM into your CD-ROM drive.
- 2 Double-click the **Documentation** icon.
- 3 Double-click your language folder, and then double-click **top.html**.
- 4 Click **SOFTWARE USER'S GUIDE** (or **NETWORK USER'S GUIDE**) in the top menu, and then click the heading you would like to read from the list at the left of the window.





Appendixes

Safety and Legal	50
Troubleshooting and Routine Maintenance	60
Menu and Features	81
Specifications	93

A

Safety and Legal

Choosing a location

Put your machine on a flat, stable surface that is free of vibration and shocks, such as a desk. Put the machine near a standard, grounded electrical socket. Choose a location where the temperature remains between 10°C and 35°C.

⚠ WARNING

DO NOT put the machine near heaters, air conditioners, refrigerators, medical equipment, chemicals or water.

DO NOT connect your machine to electrical sockets on the same circuit as large appliances or other equipment that might disrupt the power supply.

⚠ CAUTION

- Avoid placing your machine in a high-traffic area.
- Avoid placing your machine on a carpet.
- DO NOT expose the machine to direct sunlight, excessive heat, moisture, or dust.
- DO NOT connect your machine to electrical sockets controlled by wall switches or automatic timers.
- Disruption of power can wipe out information in the machine's memory.
- DO NOT tip the machine, or place it on any tilted surface. Doing this may cause ink spillage and internal damage to your machine.



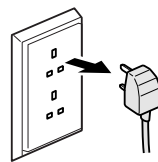
To use the machine safely

Please keep these instructions for later reference and read them before attempting any maintenance.

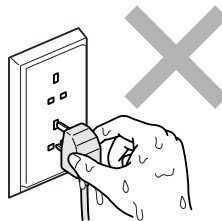
WARNING



There are high voltage electrodes inside the machine. Before you clean the inside of the machine, make sure you have unplugged the power cord from the electrical socket. Doing this will prevent an electrical shock.



DO NOT handle the plug with wet hands. Doing this might cause an electrical shock.



DO NOT pull in the middle of the power cord. Doing this might cause an electrical shock.



DO NOT use flammable substances, any type of spray, liquid or aerosol cleaners to clean the inside or outside of the machine. Doing this may cause a fire or electrical shock.



If the machine becomes hot, releases smoke, or generates any strong smells, immediately unplug the machine from the electrical socket. Call your Brother dealer or Brother Customer Service.



If metal objects, water or other liquids get inside the machine, immediately unplug the machine from the electrical socket. Call your Brother dealer or Brother Customer Service.



This product must be installed near an electrical socket that is easily accessible. In case of an emergency, you must unplug the power cord from the electrical socket to shut off the power completely.



This product should be connected to an AC power source within the range indicated on the rating label. DO NOT connect it to a DC power source or inverter. If you are not sure, contact a qualified electrician.



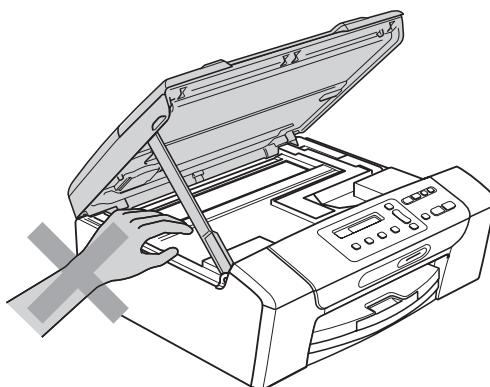
Always make sure the plug is fully inserted.



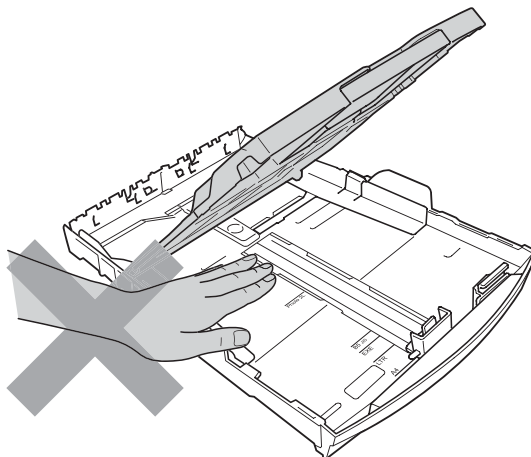
DO NOT use the machine if the power cord is frayed or damaged, doing so may cause a fire.

⚠ CAUTION

DO NOT put your hands on the edge of the machine under the scanner cover. Doing this may cause injury.



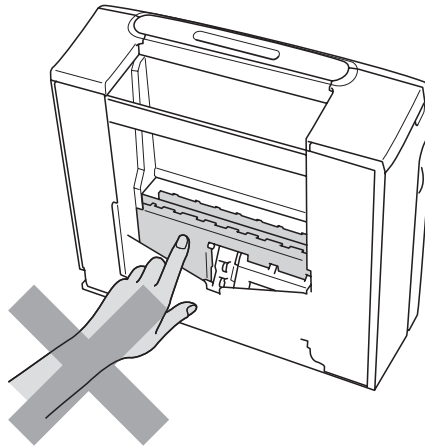
DO NOT put your hands on the edge of the paper tray cover under the paper tray cover. Doing this may cause injury.



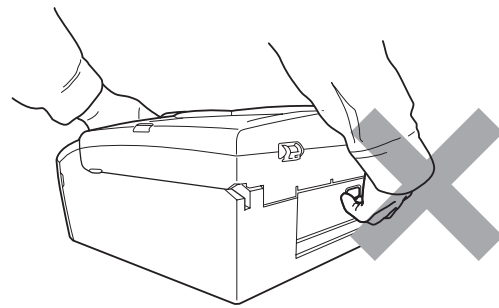
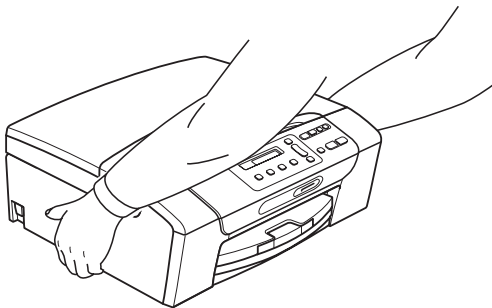
A



DO NOT touch the area shaded in the illustration. Doing this may cause injury.



When moving the machine you must lift it from the base, by placing a hand at each side of the unit as shown in the illustration. DO NOT carry the machine by holding the scanner cover or the Jam Clear Cover.



Lightning and power surges can damage this product! We recommend that you use a quality surge protection device on the AC power line or unplug the cord during a lightning storm.

Important safety instructions

- 1 Read all of these instructions.
- 2 Save them for later reference.
- 3 Follow all warnings and instructions marked on the product.
- 4 DO NOT use this product near water.
- 5 DO NOT place this product on an unstable cart, stand, or table. The product may fall, causing serious damage to the product.
- 6 Slots and openings in the cabinet and the back or bottom are provided for ventilation. To ensure reliable operation of the product and to protect it from overheating, these openings must not be blocked or covered. The openings should never be blocked by placing the product on a bed, sofa, rug, or other similar surface. This product should never be placed near or over a radiator or heater. This product should never be placed in a built-in installation unless adequate ventilation is provided.
- 7 Use only the power cord supplied with this machine.
- 8 This product is equipped with a 3-wire grounded plug, a plug having a third (grounded) pin. This plug will only fit into a grounded power outlet. This is a safety feature. If you are unable to insert the plug into the outlet, call your electrician to replace your obsolete outlet. DO NOT defeat the purpose of the grounded plug.
- 9 DO NOT allow anything to rest on the power cord. DO NOT place this product where people can walk on the cord.
- 10 DO NOT place anything in front of the machine that will block printing. DO NOT place anything in the path of printing.
- 11 Wait until pages have exited the machine before picking them up.
- 12 Unplug this product from the power socket and refer all servicing to Brother Authorized Service Personnel under the following conditions:
 - If liquid has been spilled into the product.
 - If the product has been exposed to rain or water.
 - If the product does not operate normally when the operating instructions are followed, adjust only those controls that are covered by the operating instructions. Incorrect adjustment of other controls may result in damage and will often require extensive work by a qualified technician to restore the product to normal operation.
 - If the product has been dropped or the casing has been damaged.
 - If the product exhibits a distinct change in performance, indicating a need for service.
- 13 To protect your product against power surges, we recommend the use of a power protection device (Surge Protector).
- 14 To reduce the risk of fire, electric shock and injury to people, note the following:
 - DO NOT use this product near appliances that use water, a swimming pool or in a wet basement.
 - DO NOT attempt to operate the machine during an electrical storm or gas leak.

IMPORTANT - For your safety

To ensure safe operation, the supplied three-pin plug must be inserted only into a standard three-pin electrical socket that is effectively grounded through the normal household wiring.

The fact that the equipment operates satisfactorily does not imply that the power is grounded and that the installation is completely safe. For your safety, if in any doubt about the effective grounding of the power, consult a qualified electrician.

Important - Wiring information (U.K. only)

If you need to replace the plug fuse, fit a fuse that is approved by ASTA to BS1362 with the same rating as the original fuse.

Always replace the fuse cover. Never use a plug that does not have a cover.

Warning - This machine must be earthed.

The wires in the mains lead are coloured in line with the following code:

- **Green and Yellow: Earth**
- **Blue: Neutral**
- **Brown: Live**

If in any doubt, call a qualified electrician.

LAN connection

⚠ CAUTION

DO NOT connect this product to a LAN connection that is subject to over-voltages.

Radio interference

This product complies with EN55022 (CISPR Publication 22)/Class B. When connecting the machine to a computer, ensure that you use a USB cable which does not exceed 2 metres in length.

EU Directive 2002/96/EC and EN50419



European
Union Only

This equipment is marked with the above recycling symbol. It means that at the end of the life of the equipment you must dispose of it separately at an appropriate collection point and not place it in the normal domestic unsorted waste stream. This will benefit the environment for all.
(European Union only)

International ENERGY STAR® Qualification Statement

The purpose of the International ENERGY STAR® Program is to promote the development and popularization of energy-efficient office equipment.

As an ENERGY STAR® Partner, Brother Industries, Ltd. has determined that this product meets the ENERGY STAR® specifications for energy efficiency.



Legal limitations for copying

It is an offence to make reproductions of certain items or documents with the intent to commit fraud. This memorandum is intended to be a guide rather than a complete list. We suggest you check with relevant legal authorities if in doubt about a particular item or document.

The following are examples of documents which may not be copied:

- Money
- Bonds or other certificates of indebtedness
- Certificates of Deposit
- Armed Forces Service or Draft papers
- Passports
- Postage Stamps (cancelled or uncanceled)
- Immigration Papers
- Welfare documents
- Cheques or Drafts drawn by Governmental Agencies
- Identification Documents, badges or insignias

Copyrighted works cannot be copied. Sections of a copyrighted work can be copied for 'fair dealing'. Multiple copies would indicate improper use.

Works of art should be considered the equivalent of copyrighted works.

Licenses and Certificates of Title to motor vehicles may not be copied under certain state/provincial laws.

Trademarks

The Brother logo is a registered trademark of Brother Industries, Ltd.

Brother is a registered trademark of Brother Industries, Ltd.

Multi-Function Link is a registered trademark of Brother International Corporation.

Windows Vista is either a registered trademark or a trademark of Microsoft Corporation in the United States and other countries.

Microsoft, Windows and Windows Server are registered trademarks of Microsoft Corporation in the U.S. and/or other countries.

Macintosh and TrueType are registered trademarks of Apple Inc.

Nuance, the Nuance logo, PaperPort and ScanSoft are trademarks or registered trademarks of Nuance Communications, Inc. or its affiliates in the United States and/or other countries.

Microdrive is a trademark of International Business Machines Corporation.

Memory Stick is a trademark of Sony Corporation.

xD-Picture Card is a trademark of FUJIFILM Corporation, Toshiba Corporation and Olympus Optical Co. Ltd.

Memory Stick PRO, Memory Stick PRO Duo, Memory Stick Duo, MagicGate Memory Stick, Memory Stick Micro and M2 are trademarks of Sony Corporation.

PictBridge is a trademark.

BROADCOM, SecureEasySetup and the SecureEasySetup logo are trademarks or registered trademarks of Broadcom Corporation in the United States and/or other countries.

AOSS is a trademark of Buffalo Inc.

Wi-Fi, WPA, WPA2 and Wi-Fi Protected Setup are either trademarks or registered trademarks of Wi-Fi Alliance in the United States and/or other countries.

Intel, and Pentium are trademarks of Intel Corporation in the U.S. and other countries.

AMD is a trademark of Advanced Micro Devices, Inc.

FaceFilter Studio is a trademark of Reallusion, Inc.

All other trademarks are the property of their respective owners.

B

Troubleshooting and Routine Maintenance

Troubleshooting

If you think there is a problem with your machine, check the chart below and follow the troubleshooting tips.

Most problems can be easily resolved by yourself. If you need additional help, the Brother Solutions Center offers the latest FAQs and troubleshooting tips. Visit us at <http://solutions.brother.com>.

If you are having difficulty with your machine

Printing

Difficulty	Suggestions
No printout	Check the interface cable or wireless connection on both the machine and your computer. (See the <i>Quick Setup Guide</i> .)
	Make sure the machine is plugged in and not turned off.
	Check to see if the LCD is showing an error message. (See <i>Error and Routine Maintenance messages</i> on page 65.)
	One or more ink cartridges have reached the end of their life. (See <i>Replacing the ink cartridges</i> on page 71.)
	If the LCD shows <code>Cannot Print and Replace XX Ink</code> (where XX is an abbreviation of the colour), see <i>Replacing the ink cartridges</i> on page 71.
	Check that the correct printer driver has been installed and chosen.
	Make sure the machine is online. Click Start and then Printers and Faxes . Choose Brother DCP-XXXX (where XXXX is your model name), and make sure that 'Use Printer Offline' is unchecked.
	When you choose the Print Odd Pages and Print Even Pages settings, you may see a printing error message on your computer, as the machine pauses during the printing process. The error message will disappear after the machine re-starts printing.
	Printing using the Print Page Setting can take more time than usual, so the computer may display a time out error. If the machine's LCD shows <code>Printing</code> , your data will be printed after a few moments.

Printing (continued)

Difficulty	Suggestions
Poor print quality	Check the print quality. (See <i>Checking the print quality</i> on page 76.)
	Make sure that the Printer Driver or Paper Type setting in the menu matches the type of paper you are using. (See <i>Printing for Windows®</i> or <i>Printing and Faxing for Macintosh</i> in the <i>Software User's Guide</i> on the CD-ROM.)
	Make sure that your ink cartridges are fresh. The following may cause ink to clog: <ul style="list-style-type: none"> ■ The expiration date written on the cartridge package has passed. (Brother Original cartridges stay usable for up to two years if kept in their original packaging.) ■ The ink cartridge has been in your machine for over six months. ■ The ink cartridge may not have been stored correctly before use.
	Make sure you are using Brother Original Innobella™ ink.
	Try using the recommended types of paper. (See <i>Acceptable paper and other print media</i> on page 13.)
	The recommended environment for your machine is between 20°C to 33°C.
White horizontal lines appear in text or graphics.	Clean the print head. (See <i>Cleaning the print head</i> on page 75.)
	Make sure you are using Brother Original Innobella™ ink.
	Try using the recommended types of paper. (See <i>Acceptable paper and other print media</i> on page 13.)
The machine prints blank pages.	Clean the print head. (See <i>Cleaning the print head</i> on page 75.)
	Make sure you are using Brother Original Innobella™ ink.
Characters and lines are stacked.	Check the printing alignment. (See <i>Checking the print alignment</i> on page 77.)
Printed text or images are skewed.	Make sure the paper is loaded properly in the paper tray and the paper side guides are adjusted correctly. (See <i>Loading paper and other print media</i> on page 8.)
	Make sure the Jam Clear Cover is closed properly.
Smudged stain at the top centre of the printed page.	Make sure the paper is not too thick or curled. (See <i>Acceptable paper and other print media</i> on page 13.)
Smudged stain at the right or left corner of the printed page.	Make sure the paper is not curled when you print on the back side of the paper with the Print Odd Pages and Print Even Pages settings.
Printing appears dirty or ink seems to run.	Make sure you are using the recommended types of paper. (See <i>Acceptable paper and other print media</i> on page 13.) Don't handle the paper until the ink is dry.
	Make sure you are using Brother Original Innobella™ ink.
	If you are using photo paper, make sure that you have set the correct paper type. If you are printing a photo from your PC, set the Media Type in the Basic tab of the printer driver.
Stains appear on the reverse side or at the bottom of the page.	Make sure the printer platen is not dirty with ink. (See <i>Cleaning the machine's printer platen</i> on page 74.)
	Make sure you are using Brother Original Innobella™ ink.
	Make sure you are using the paper support flap. (See <i>Loading paper and other print media</i> on page 8.)
The machine prints dense lines on the page.	Check Reverse Order in the Basic tab of the printer driver.



Printing (continued)

Difficulty	Suggestions
The printouts are wrinkled.	In the printer driver Advanced tab, click Colour Settings , and uncheck Bi-Directional Printing for Windows® or Bi-Directional Printing for Macintosh. Make sure you are using Brother Original Innobella™ ink.
Cannot perform '2 in 1' or '4 in 1' printing.	Check that the paper size setting in the application and in the printer driver are the same.
Print speed is too slow.	Try changing the printer driver setting. The highest resolution needs longer data processing, sending and printing time. Try the other quality settings in the printer driver Basic tab. Also, click Colour Settings , and make sure you uncheck Colour Enhancement . Turn off the borderless feature. Borderless printing is slower than normal printing. (See <i>Printing for Windows®</i> or <i>Printing and Faxing for Macintosh</i> in the <i>Software User's Guide</i> on the CD-ROM.)
Colour Enhancement is not working correctly.	If the image data is not full colour in your application (such as 256 colour), Colour Enhancement will not work. Use at least 24 bit colour data with the Colour Enhancement feature.
Photo paper does not feed properly.	When you print on Brother photo paper, make sure you always load one additional sheet of photo paper first before loading the paper you want to print on. Clean the paper pick-up roller. (See <i>Cleaning the paper pick-up rollers</i> on page 75.)
Machine feeds multiple pages.	Make sure the paper is loaded correctly in the paper tray. (See <i>Loading paper and other print media</i> on page 8.) Check that more than two types of paper are not loaded in the paper tray at any one time.
There is a paper jam.	See <i>Printer jam or paper jam</i> on page 69. Make sure the paper length guide is adjusted to the paper size. Do not extend the paper tray when you load A5 or smaller size paper.
Printed pages are not stacked neatly.	Make sure you are using the paper support flap. (See <i>Loading paper and other print media</i> on page 8.)
Machine does not print from Adobe® Illustrator®.	Try to reduce the print resolution. (See <i>Printing for Windows®</i> or <i>Printing and Faxing for Macintosh</i> in the <i>Software User's Guide</i> on the CD-ROM.)

Copying Difficulties

Difficulty	Suggestions
Vertical streaks appear on copies.	If you see vertical streaks on copies, clean the scanner. (See <i>Cleaning the scanner glass</i> on page 74.)
Fit to Page does not work properly.	Make sure your source document is not skewed. Reposition the document and try again.

Scanning Difficulties

Difficulty	Suggestions
TWAIN/WIA errors appear when starting to scan.	Make sure the Brother TWAIN/WIA driver is chosen as the primary source. In PaperPort™ 11SE with OCR, click File, Scan or Get Photo and click Select to choose the Brother TWAIN/WIA driver.
OCR does not work.	Try increasing the scanner resolution.
Fit to Page does not work properly.	Make sure the document is not skewed on the scanner glass.

Software Difficulties

Difficulty	Suggestions
Cannot install software or print.	Run the Repair MFL-Pro Suite program on the CD-ROM. This program will repair and reinstall the software.
'Device Busy'	Make sure the machine is not showing an error message on the LCD.
Cannot print images from FaceFilter Studio.	To use FaceFilter Studio, you must install the FaceFilter Studio application from the CD-ROM supplied with your machine. To install FaceFilter Studio see the <i>Quick Setup Guide</i> . Also, before you start FaceFilter Studio for the first time, you must make sure your Brother machine is turned on and connected to your computer. This will allow you to access all the functions of FaceFilter Studio.

PhotoCapture Center™ Difficulties

Difficulty	Suggestions
Removable Disk does not work correctly.	<ol style="list-style-type: none"> 1 Have you installed the Windows® 2000 update? If not, do the following: <ol style="list-style-type: none"> 1) Unplug the USB cable. 2) Install the Windows® 2000 update using one of the following methods. <ul style="list-style-type: none"> ■ Install MFL-Pro Suite from the CD-ROM. (See the <i>Quick Setup Guide</i>.) ■ Download the latest service pack from the Microsoft Web site. 3) Wait about 1 minute after you restart the PC, and then connect the USB cable. 2 Take out the memory card or USB Flash memory drive and put it back in again. 3 If you have tried 'Eject' from within Windows®, take out the memory card or USB Flash memory drive before you continue. 4 If an error message appears when you try to eject the memory card or USB Flash memory drive, it means the card is being accessed. Wait a while and then try again. 5 If all of the above do not work, turn off your PC and machine, and then turn them on again. (You will have to unplug the power cord of the machine to turn it off.)
Cannot access Removable Disk from Desktop icon.	Make sure that you have correctly inserted the memory card or USB Flash memory drive.
Part of my photo is missing when printed.	Make sure that Borderless Printing and Cropping are turned off. (See <i>Borderless printing</i> on page 40 and <i>Cropping</i> on page 39.)



Network Difficulties

Difficulty	Suggestions
Cannot print over the Network.	<p>Make sure that your machine is powered on and is online and in Ready mode. Print a Network Configuration list (see <i>Printing Reports</i> on page 20.) and check the current Network settings printed in this list. Reconnect the LAN cable to the hub to verify that the cabling and network connections are good. If possible, try connecting the machine to a different port on your hub using a different cable. If the connections are good, the machine shows LAN Active for 2 seconds.</p> <p>(If you are having Network problems, see the <i>Network User's Guide</i> for more information.)</p>
The network scanning feature does not work.	<p>(Windows® users only) Firewall settings on your PC may be rejecting the necessary network connection. Follow the instructions below to configure the Firewall. If you are using personal Firewall software, see the User's Guide for your software or contact the software manufacturer.</p> <p>For Windows® XP SP2 and Windows Vista® users, see <i>Firewall settings</i> in the <i>Software User's Guide</i> on the CD-ROM.</p> <p>For Windows® XP SP1 users, please visit the Brother Solutions Center. (http://solutions.brother.com)</p>
Your computer cannot find your machine.	<p><Windows® users></p> <p>Firewall settings on your PC may be rejecting the necessary network connection. For detail, see the instruction above.</p> <p><Macintosh users></p> <p>Re-select your machine in the Device Selector application located in Macintosh HD/Library/Printers/Brother/Utilities/DeviceSelector or from the model list in ControlCenter2.</p>

Error and Routine Maintenance messages

As with any sophisticated office product, errors may occur. If this happens, your machine identifies the error and shows an error message. The most common error and maintenance messages are shown below.

You can correct most errors and routine maintenance messages by yourself. If you need more help, the Brother Solutions Center offers latest FAQs and troubleshooting tips.

Visit us at <http://solutions.brother.com>.

Error Message	Cause	Action
B&W Print Only Replace X Ink	<p>One or more of the colour ink cartridges have reached the end of their life. While this message appears on the LCD, each operation works in the following way:</p> <ul style="list-style-type: none"> ■ Printing If you click Greyscale in the Advanced tab of the printer driver you can use the machine as a monochrome printer for approximately four weeks depending on the number of pages you print. ■ Copying If the paper type is set to Plain Paper or Inkjet Paper you can make copies in monochrome. <p>If the paper type is set to Other Glossy, Brother BP71 or Transparency, the machine will stop all print operations. If you unplug the machine, or take out the ink cartridge, you cannot use the machine until you change to a new ink cartridge. (See <i>Replacing the ink cartridges</i> on page 71.)</p>	Replace the ink cartridges. (See <i>Replacing the ink cartridges</i> on page 71.)
Cannot Detect	You installed a new ink too fast and machine did not detect it.	Take out the new ink cartridge and reinstall it slowly until it clicks.
	If you are using non Brother Original Ink the machine may not detect the ink cartridge.	Replace the cartridge with a Brother Original Ink Cartridge. If the error remains, contact your Brother dealer.
	An ink cartridge is not installed correctly.	Take out the new ink cartridge and re-install it slowly until it clicks. (See <i>Replacing the ink cartridges</i> on page 71.)

Error Message	Cause	Action
Cannot Print Replace XX Ink	One or more of the ink cartridges have reached the end of their life. The machine will stop all print operations.	Replace the ink cartridges. (See <i>Replacing the ink cartridges</i> on page 71.)
Cover is Open	The scanner cover is not closed completely.	Lift the scanner cover and then close it again.
Clean Unable XX	The machine has a mechanical problem. —OR— A foreign object such as a clip or ripped paper is in the machine.	Open the scanner cover and look inside the machine for any foreign objects. If the error message continues, disconnect the machine from the power source for several minutes and then reconnect it.
Close Ink Cover	The ink cartridge cover is not completely closed.	Firmly close the ink cartridge cover until it clicks.
Data Remaining	Print data is left in the machine's memory.	Press Stop/Exit . The machine will cancel the job and clear it from the memory. Try to print again.
High Temperature	The print head is too warm.	Allow the machine to cool down.
Hub is Unusable.	A Hub or USB Flash memory drive with a Hub has been connected to the USB direct interface.	A Hub or USB Flash memory drive with a Hub are not supported. Unplug the device from the USB direct interface.
Init Unable XX	The machine has a mechanical problem. —OR— A foreign object such as a clip or ripped paper is in the machine.	Open the scanner cover and look inside the machine for any foreign objects. If the error message continues, disconnect the machine from the power source for several minutes and then reconnect it.
Ink Low Black Ink Low Yellow Ink Low Cyan Ink Low Magenta	One or more of the ink cartridges are running out of ink.	Order a new ink cartridge. You can continue printing until the LCD shows <code>Cannot Print</code> .
Low Temperature	The print head is too cold.	Allow the machine to warm up.
Media Error	The memory card is either corrupted, incorrectly formatted, or there is a problem with the memory card.	Put the card firmly into the slot again to make sure it is in the correct position. If the error remains, check the media drive (slot) of the machine by putting in another media card that you know is working.
Media is Full.	The memory card or USB Flash memory drive you are using already contains 999 files.	Your machine can only save to your memory card or USB Flash memory drive if it contains less than 999 files. Try deleting unused files to free some space and try again.
No Cartridge	An ink cartridge is not installed correctly.	Take out the new ink cartridge and re-install it slowly until it clicks. (See <i>Replacing the ink cartridges</i> on page 71.)

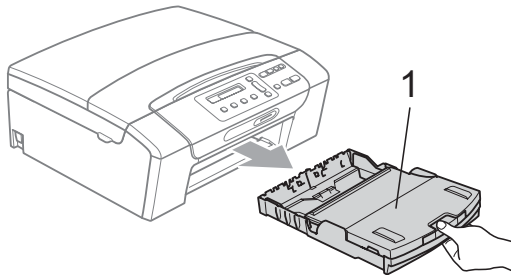
Error Message	Cause	Action
No File	The memory card or USB Flash memory drive in the media drive does not contain a .JPG file.	Put the correct memory card or USB Flash memory drive into the slot again.
No Paper Fed	The machine is out of paper or paper is not properly loaded in the paper tray, or the Jam Clean Cover is not closed properly.	Do one of the following: <ul style="list-style-type: none"> ■ Refill the paper in the paper tray, and then press Mono Start or Colour Start. ■ Remove the paper and load it again and then press Mono Start or Colour Start. (See <i>Loading paper and other print media</i> on page 8.)
	The paper is jammed in the machine.	Remove the jammed paper by following the steps in <i>Printer jam or paper jam</i> on page 69.
Out of Memory	The machine's memory is full.	When copy operation is in progress, press Stop/Exit and wait until the other operations in progress finish and then try again.
	The memory card or USB Flash memory drive you are using does not have enough free space to scan the documents.	Delete unused files from your memory card or USB Flash memory drive to make some free space and then try again.
Paper Jam	Paper is jammed in the machine.	Open the Jam Clear Cover (at the back of the machine) and pull out the jammed paper by following the steps in <i>Printer jam or paper jam</i> on page 69.
		Make sure the paper length guide is adjusted to the correct paper size.
Print Unable XX	The machine has a mechanical problem. —OR— A foreign object such as a clip or ripped paper is in the machine.	Open the scanner cover and look inside the machine for any foreign objects. If the error message continues, disconnect the machine from the power source for several minutes and then reconnect it.
Scan Unable XX	The machine has a mechanical problem. —OR— A foreign object such as a clip or ripped paper is in the machine.	Open the scanner cover and look inside the machine for any foreign objects. If the error message continues, disconnect the machine from the power source for several minutes and then reconnect it.
Unusable Device Disconnect device from front connector. Turn the machine off & on by pressing On/Off button on control panel.	A broken device has been connected to the USB direct interface.	Unplug the device from the USB direct interface, then press On/Off to turn the machine off then on again.

Error Message	Cause	Action
Unusable Device Please Disconnect USB Device.	A USB device or USB Flash memory drive that is not supported has been connected to the USB direct interface. (For more information, visit us at http://solutions.brother.com .)	Unplug the device from the USB direct interface.
Wrong Paper Size	Paper is not the correct size.	Check that the Paper Size setting matches the size of paper in the tray. Load the correct size of paper, and then press Mono Start or Colour Start . (See <i>Paper Size</i> on page 28.)

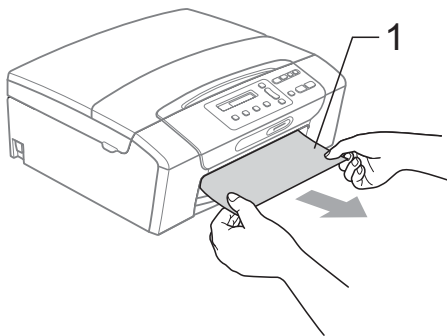
Printer jam or paper jam

Take out the jammed paper depending on where it is jammed in the machine.

- 1 Pull the paper tray (1) out of the machine.



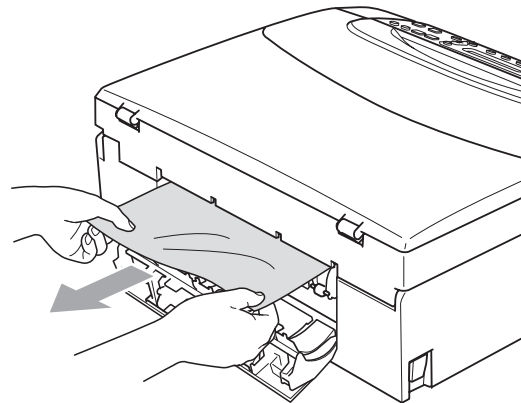
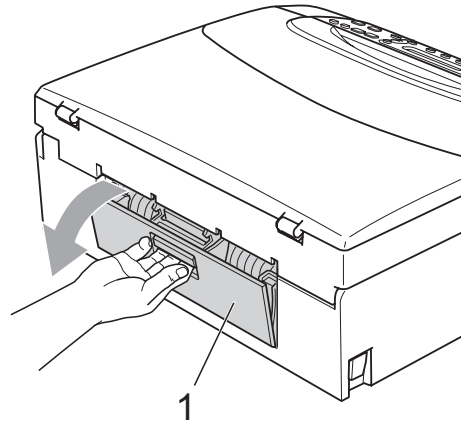
- 2 Pull out the jammed paper (1) and press **Stop/Exit**.



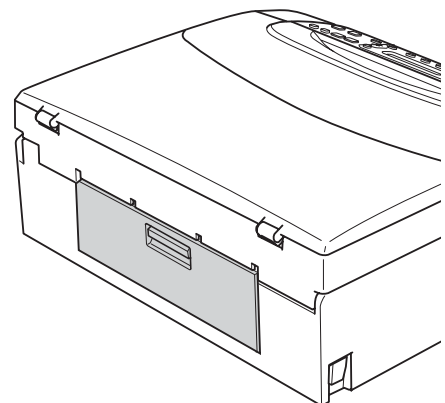
- 3 Reset the machine by lifting the scanner cover from the front of the machine and then close it.

- If you cannot remove the jammed paper from the front of the machine, or the error message still appears on the LCD after you have removed the jammed paper, please go to the next step.

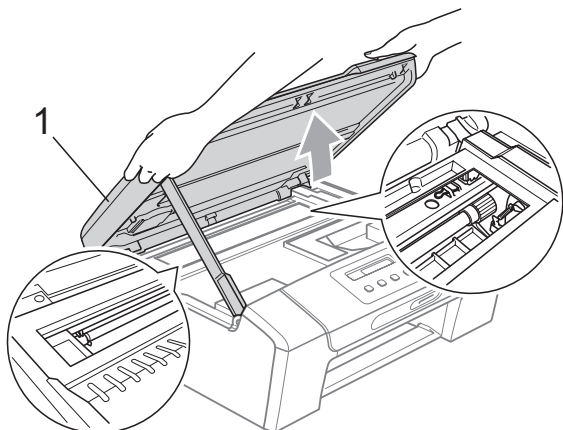
- 4 Open the Jam Clear Cover (1) at the back of the machine. Pull the jammed paper out of the machine.



- 5 Close the Jam Clear Cover. Make sure the cover is closed properly.

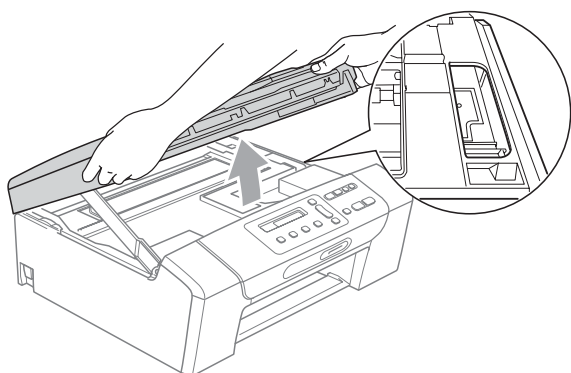


- 6 Using both hands, use the plastic tabs on both sides of the machine to lift the scanner cover (1) until it locks securely in the open position. Make sure that there is no jammed paper left inside the machine. Check both ends of the print carriage.



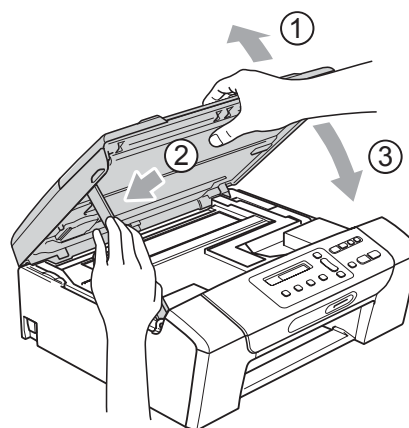
! IMPORTANT

- If the paper is jammed under the print head, unplug the machine from the power source, and then move the print head to take out the paper.
- If the print head is at the right corner as shown in the illustration, you cannot move the print head. Hold down **Stop/Exit** until the print head moves to the middle. Then unplug the machine from the power source, and take out the paper.

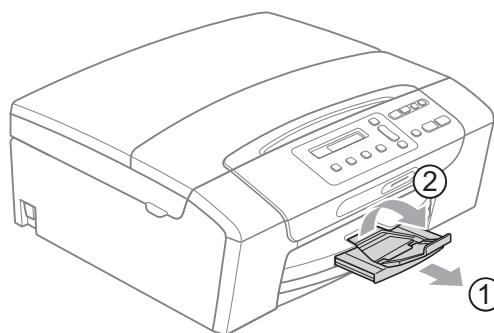


- If ink gets on your skin or clothing immediately wash it off with soap or detergent.

- 7 Lift the scanner cover to release the lock (1). Gently push the scanner cover support down (2) and close the scanner cover (3) using both hands.



- 8 Slowly push the paper tray completely into the machine.
- 9 While holding the paper tray in place, pull out the paper support (1) until it clicks and unfold the paper support flap (2).



! IMPORTANT

DO NOT use the paper support flap for Legal paper.

Routine maintenance

Replacing the ink cartridges

Your machine is equipped with an ink dot counter. The ink dot counter automatically monitors the level of ink in each of the 4 cartridges. When the machine detects an ink cartridge is running out of ink, the machine will tell you with a message on the LCD.

The LCD will tell you which ink cartridge is low or needs replacing. Be sure to follow the LCD prompts to replace the ink cartridges in the correct order.

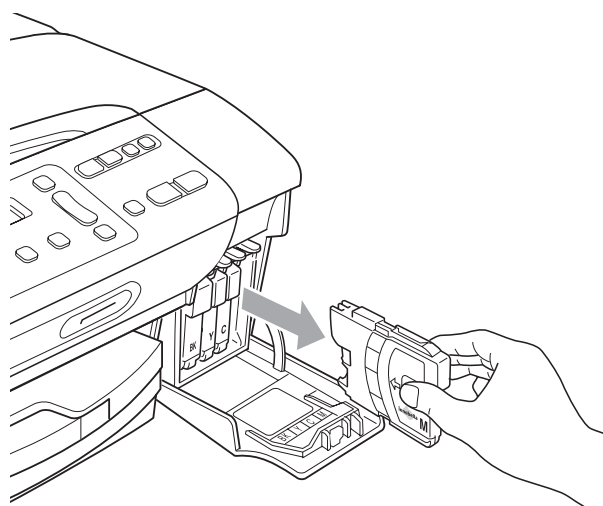
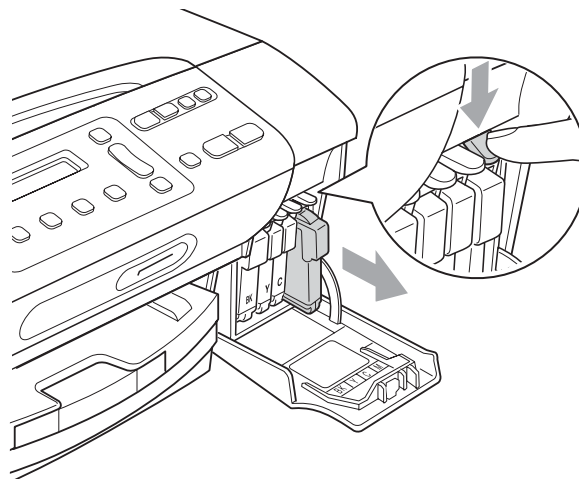
Even though the machine tells you to replace an ink cartridge, there will be a small amount of ink left in the ink cartridge. It is necessary to keep some ink in the ink cartridge to prevent air from drying out and damaging the print head assembly.

! IMPORTANT

Brother multifunction machines are designed to work with ink of a particular specification and will work to a level of optimum performance and reliability when used with genuine Brother Original ink cartridges. Brother cannot guarantee this optimum performance and reliability if ink or ink cartridges of other specifications are used. Brother does not therefore recommend the use of cartridges other than genuine Brother Original cartridges or the refilling of used cartridges with ink from other sources. If damage is caused to the print head or other parts of this machine as a result of using other brands of ink or ink cartridges, any repairs required as a result may not be covered by the warranty.

- 1 Open the ink cartridge cover. If one or more ink cartridges have reached the end of their life, the LCD shows `B&W Print Only` or `Cannot Print`.

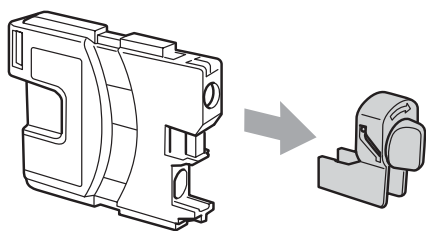
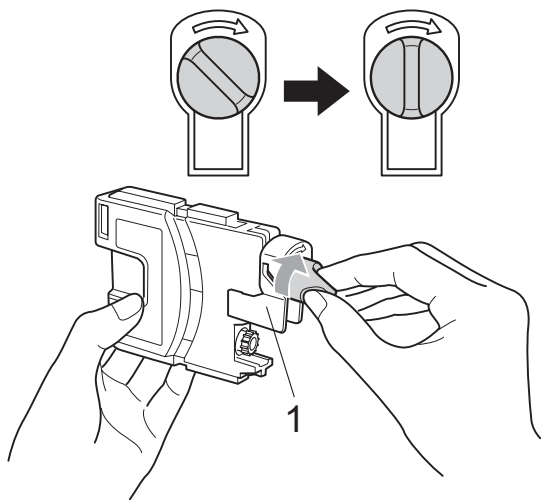
- 2 Press the lock release lever as shown to release the cartridge indicated on the LCD. Remove the cartridge from the machine.



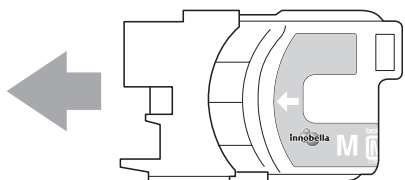
- 3 Open the new ink cartridge bag for the colour shown on the LCD, and then take out the ink cartridge.

B

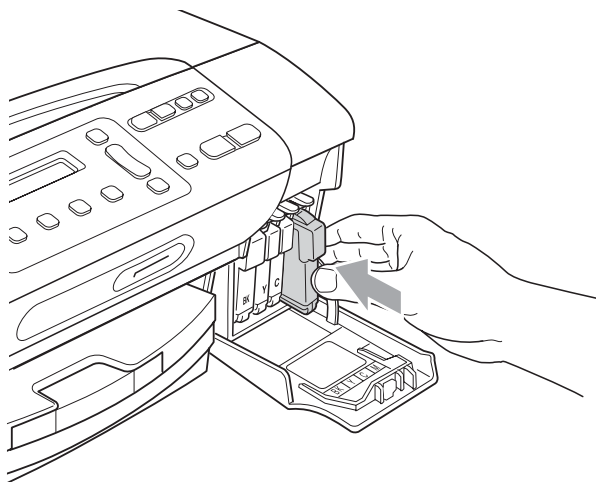
- 4 Turn the green knob on the protective yellow cap clockwise until it clicks as to release the seal vacuum, then remove the cap (1).



- 5 Each colour has its own correct position. Insert the ink cartridge in the direction of the arrow on the label.



- 6 Gently push the ink cartridge until it clicks, and then close the ink cartridge cover.



- 7 The machine will automatically reset the ink dot counter.



Note

- If you replaced an ink cartridge, for example Black, the LCD may ask you to verify that it was a brand new one (Did You Change Blck?). For each new cartridge you installed, press ▲ (Yes) to automatically reset the ink dot counter for that colour. If the ink cartridge you installed is not a brand new one, be sure to press ▼ (No).
- If the LCD shows No Cartridge or Cannot Detect after you install the ink cartridge, check that the ink cartridges are installed correctly.

⚠ CAUTION

If ink gets in your eyes, wash them out with water at once and call a doctor if you are concerned.

! IMPORTANT

- DO NOT take out ink cartridges if you do not need to replace them. If you do so, it may reduce the ink quantity and the machine will not know the quantity of ink left in the cartridge.
- DO NOT touch the cartridge insertion slots. If you do so, the ink may stain your skin.
- If ink gets on your skin or clothing immediately wash it off with soap or detergent.
- If you mix the colours by installing an ink cartridge in the wrong position, clean the print head several times after correcting the cartridge installation.
- Once you open an ink cartridge, install it in the machine and use it up within six months of installation. Use unopened ink cartridges by the expiration date written on the cartridge package.
- DO NOT dismantle or tamper with the ink cartridge, this can cause the ink to leak out of the cartridge.

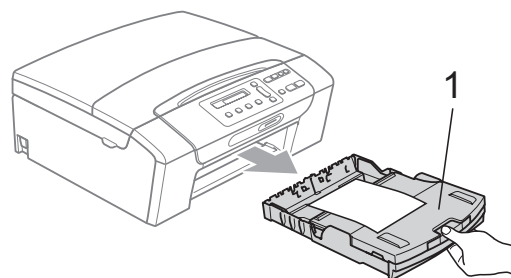
Cleaning the outside of the machine

! IMPORTANT

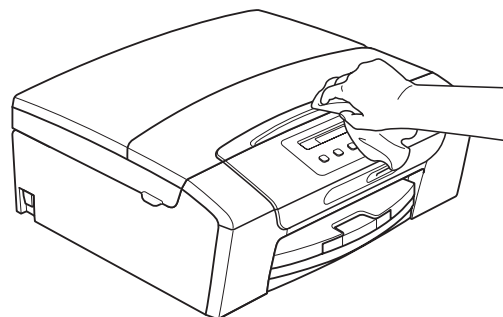
- Use neutral detergents. Cleaning with volatile liquids such as thinner or benzine will damage the outside surface of the machine.
- DO NOT use cleaning materials that contain ammonia.
- DO NOT use isopropyl alcohol to remove dirt from the control panel. It may crack the panel.

Clean the outside of the machine as follows:

- 1 Pull the paper tray (1) completely out of the machine.

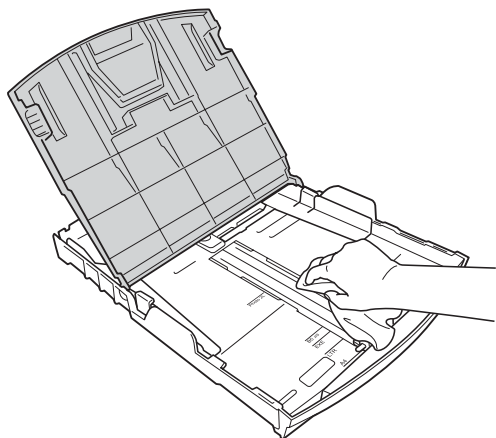


- 2 Wipe the outside of the machine with a soft cloth to remove dust.



- 3 Lift the output paper tray cover and remove anything that is stuck inside the paper tray.

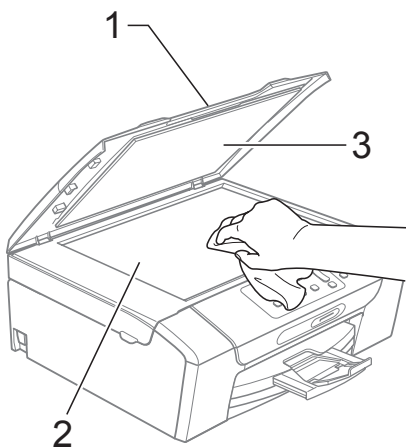
- 4 Wipe the inside and outside of the paper tray with a soft cloth to remove dust.



- 5 Close the output paper tray cover and slowly push the paper tray completely into the machine.

Cleaning the scanner glass

- 1 Lift the document cover (1). Clean the scanner glass (2) and white plastic (3) with a soft lint-free cloth moistened with a non-flammable glass cleaner.

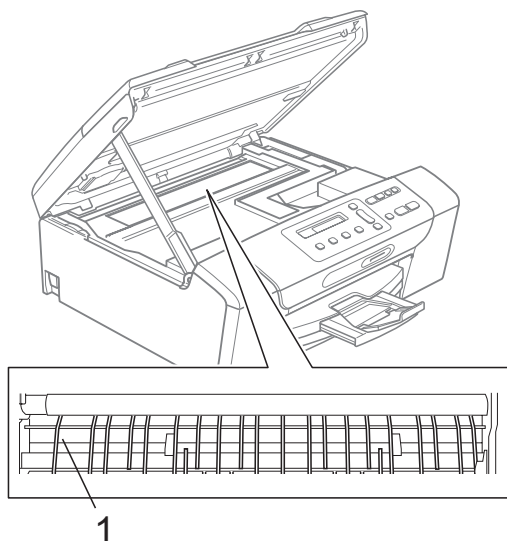


Cleaning the machine's printer platen

⚠ CAUTION

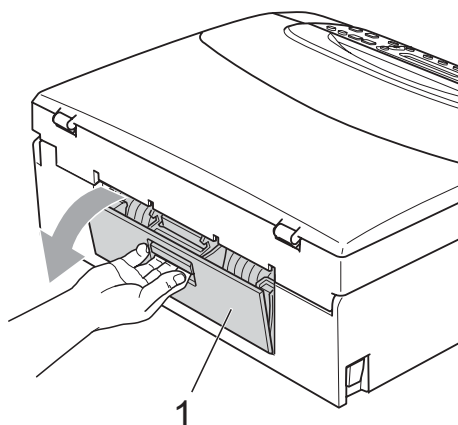
Be sure to unplug the machine from the electrical socket before cleaning the printer platen (1).

- 1 Lift the scanner cover until it locks securely into the open position.
- 2 Clean the machine's printer platen (1) and the area around it, wiping off any scattered ink with a soft, dry, lint-free cloth.

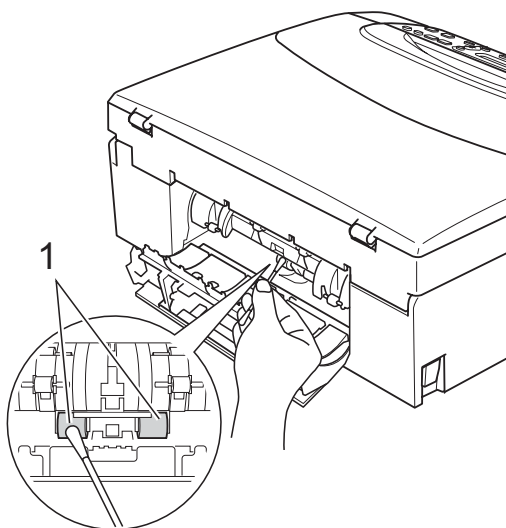


Cleaning the paper pick-up rollers

- 1 Pull the paper tray completely out of the machine.
- 2 Unplug the machine from the electrical socket and open the Jam Clear Cover (1) at the back of the machine.



- 3 Clean the Paper Pick-up Roller (1) with isopropyl alcohol on a cotton swab.



- 4 Close the Jam Clear Cover. Make sure the cover is closed correctly.
- 5 Put the paper tray firmly back in the machine.
- 6 Re-connect the power cord.

Cleaning the print head

To maintain good print quality, the machine will automatically clean the print head when needed. You can start the cleaning process manually if there is a print quality problem.

Clean the print head and ink cartridges if you get a horizontal line or blank text in the text or graphics on your printed pages. You can clean Black only, three colours at a time (Cyan/Yellow/Magenta), or all four colours at once.

Cleaning the print head consumes ink. Cleaning too often uses ink unnecessarily.

! IMPORTANT

DO NOT touch the print head. Touching the print head may cause permanent damage and may void the print head's warranty.

- 1 Press **Ink Management**.
- 2 Press **▲** or **▼** to choose **Cleaning**. Press **OK**.
- 3 Press **▲** or **▼** to choose **Black**, **Color** or **All**. Press **OK**.
The machine cleans the print head. When cleaning is finished, the machine will go back to standby mode automatically.

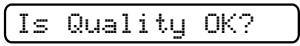



Note

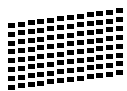
If you clean the print head at least five times and the print has not improved, try installing a new Genuine Brother Original Innobella™ ink cartridge for each problem colour. Try cleaning the print head again up to five more times. If the print has not improved call your Brother dealer.

Checking the print quality

If faded or streaked colours and text appear on your output, some of the nozzles may be clogged. You can check this by printing the Print Quality Check Sheet and looking at the nozzle check pattern.

- 1 Press **Ink Management**.
- 2 Press ▲ or ▼ to choose `Test Print`. Press **OK**.
- 3 Press ▲ or ▼ to choose `Print Quality`. Press **OK**.
- 4 Press **Colour Start**. The machine begins printing the Print Quality Check Sheet.
- 5 Check the quality of the four colour blocks on the sheet.
- 6 The LCD asks you if the quality of the four colours are OK.


- 7 Do one of the following:
 - If all lines are clear and visible, press ▲ to choose `Yes`, and go to step 8.
 - If you can see missing short lines as shown below, press ▼ to choose `No`.

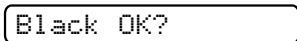
OK



Poor



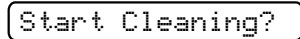
- 8 The LCD asks you if the print quality is OK for black and three colours.





Press ▲ (Yes) or ▼ (No).

- 9 The LCD asks you if you want to start cleaning.





Press ▲ (Yes).

The machine starts cleaning the print head.

- 10 After cleaning is finished, press **Colour Start**.

The machine starts printing the Print Quality Check Sheet again and then return to step 5.

- 11 Press **Stop/Exit**.

If you repeat this procedure at least five times and the print quality is still poor, replace the ink cartridge for the clogged colour.

After replacing the ink cartridge, check the print quality. If the problem still exists, repeat the cleaning and test print procedures at least five times for the new ink cartridge. If ink is still missing, call your Brother dealer.

! IMPORTANT

DO NOT touch the print head. Touching the print head may cause permanent damage and may void the print head's warranty.

Note



When a print head nozzle is clogged the printed sample looks like this.



After the print head nozzle is cleaned, the horizontal lines are gone.

Checking the print alignment

You may need to adjust the print alignment after transporting the machine, if your printed text becomes blurred or images become faded.

- 1 Press **Ink Management**.
- 2 Press **▲** or **▼** to choose `Test Print`. Press **OK**.
- 3 Press **▲** or **▼** to choose `Alignment`. Press **OK**.
- 4 Press **Mono Start** or **Colour Start**. The machine starts printing the Alignment Check Sheet.

`Is Alignment OK?`

`▲ Yes ▼ No`

- 5 Check the 600 dpi and 1200 dpi test prints to see if number 5 most closely matches number 0.
 - If the number 5 samples of both the 600 dpi and 1200 dpi test prints are the best matches, press **▲** (`Yes`) to finish Alignment Check, and go to step 8.
 - If another test print number is a better match for either 600 dpi or 1200 dpi, press **▼** (`No`) to choose it.

- 6 For 600 dpi, press **▲** or **▼** to select the number of the test print that most closely matches the number 0 sample (1-8).

`600dpi Adjust`

`Select Best #5`

Press **OK**.

- 7 For 1200 dpi, press **▲** or **▼** to select the number of the test print that most closely matches the number 0 sample (1-8).

`1200dpi Adjust`

`Select Best #5`

Press **OK**.

- 8 Press **Stop/Exit**.

Checking the ink volume

You can check the ink that is left in the cartridge.

- 1 Press **Ink Management**.
- 2 Press **▲** or **▼** to choose `Ink Volume`. Press **OK**. The LCD shows the ink volume.
- 3 Press **▲** or **▼** to choose the colour you want to check.
- 4 Press **Stop/Exit**.



Note

You can check the ink volume from your computer. (See *Printing for Windows*[®] or *Printing and Faxing for Macintosh* in the *Software User's Guide* on the CD-ROM.)

`BK: -■■■■■□+ ↕`

Machine Information

Checking the serial number

You can see the machine's serial number on the LCD.

- 1 Press **Menu**.
- 2 (DCP-193C, DCP-195C and DCP-197C)
Press **▲** or **▼** to choose
4.Machine Info.
Press **OK**.

(DCP-365CN, DCP-373CW,
DCP-375CW and DCP-377CW)
Press **▲** or **▼** to choose
5.Machine Info.
Press **OK**.
- 3 Press **▲** or **▼** to choose 1.Serial No.
Press **OK**.

XXXXXXXXXX

- 4 Press **Stop/Exit**.

Reset functions

The following reset functions are available:

- 1 Network
(DCP-365CN, DCP-373CW, DCP-375CW
and DCP-377CW only)

You can reset the print server back to its default factory settings such as the password and IP address information.

- 2 All Settings

You can reset all the machine settings back to the settings that were set at the factory.

Brother strongly recommends you use this operation when you dispose of the machine.



Note

Unplug the interface cable before you choose Network or All Settings.

How to reset the machine

- 1 Press **Menu**.
- 2 Press **▲** or **▼** to choose
0.Initial Setup.
Press **OK**.
- 3 Press **▲** or **▼** to choose 4.Reset.
Press **OK**.
- 4 (DCP-365CN, DCP-373CW,
DCP-375CW and DCP-377CW only)
Press **▲** or **▼** to choose the reset function
you want to use.
Press **OK**.
- 5 Press **▲** or **▼** to choose **▲** Reset or
▼ Exit.
- 6 Press **▲** to confirm.

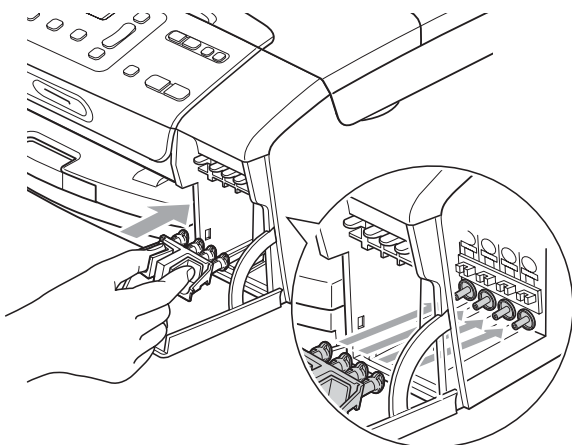
Packing and shipping the machine

When you transport the machine, use the packing materials that came with your machine. Follow the instructions below to properly pack your machine. Damage caused to your machine during transit is not covered by your warranty.

! IMPORTANT

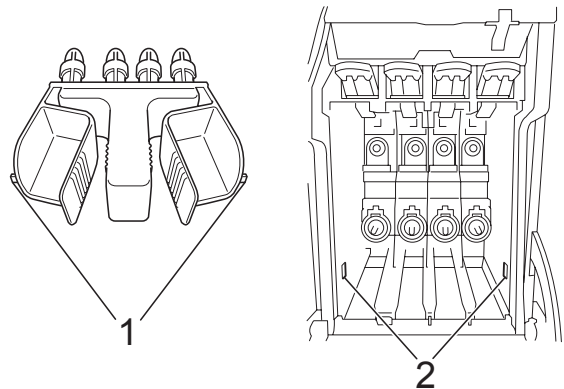
It is important to allow the machine to 'park' the print head after a print job. Listen carefully to the machine before unplugging it to make sure that all mechanical noise has stopped. Not allowing the machine to finish this parking process may lead to print problems and possible damage to the print head.

- 1 Open the ink cartridge cover.
- 2 Press the lock release lever to release the ink cartridge and take out all the ink cartridges. (See *Replacing the ink cartridges* on page 71.)
- 3 Install the green protective part and then close the ink cartridge cover.



! IMPORTANT

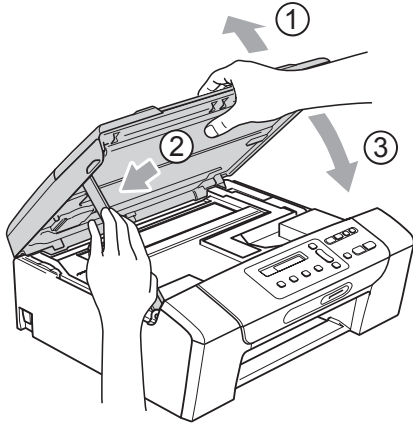
- Make sure that the plastic tabs on both sides of the green protective part (1) have securely clicked into place (2).



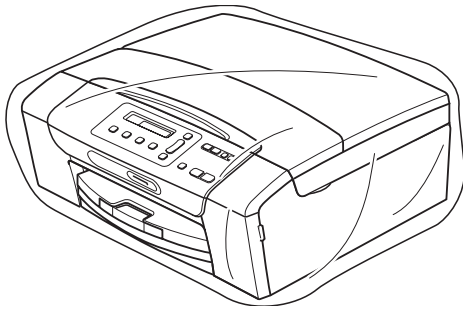
- If you are not able to find the green protective part, DO NOT remove the ink cartridges before shipping. It is essential that the machine be shipped with either the green protective part or the ink cartridges in position. Shipping without them will cause damage to your machine and may void your warranty.

- 4 Unplug the machine from the electrical socket.
- 5 Using both hands, use the plastic tabs on both sides of the machine to lift the scanner cover until it locks securely into the open position. Then unplug the interface cable from the machine, if it is connected.

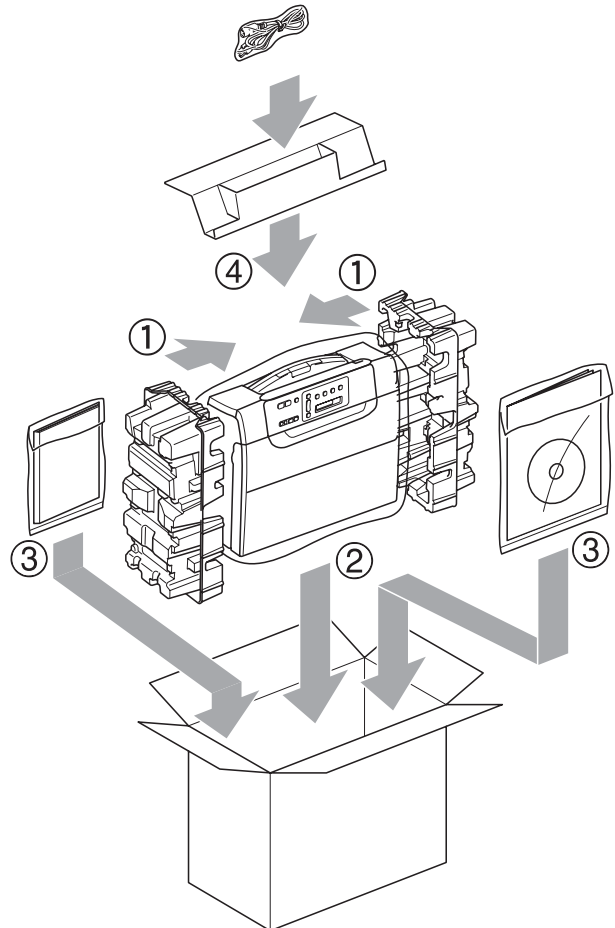
- 6 Lift the scanner cover (①) to release the lock. Gently push the scanner cover support down (②) and close the scanner cover (③).



- 7 Wrap the machine in the bag.



- 8 Pack the machine and the printed materials in the original carton with the original packing material as shown below. Do not pack the used ink cartridges in the carton.



- 9 Close the carton and tape it shut.

On-screen programming

Your machine is designed to be easy to operate with LCD on-screen programming using the menu keys. User-friendly programming helps you take full advantage of all the menu selections your machine has to offer.

Since your programming is done on the LCD, we have created step-by-step on-screen instructions to help you program your machine. All you need to do is follow the instructions as they guide you through the menu selections and programming options.

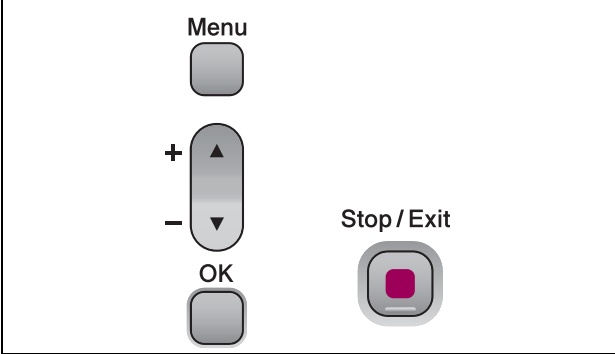




Menu table

You can program your machine by using the menu table that begins on page 83. These pages list the menu selections and options.

Memory storage

Your menu settings are stored permanently, and in the event of a power failure will not be lost. Temporary settings (for example, Contrast) will be lost.

Menu keys

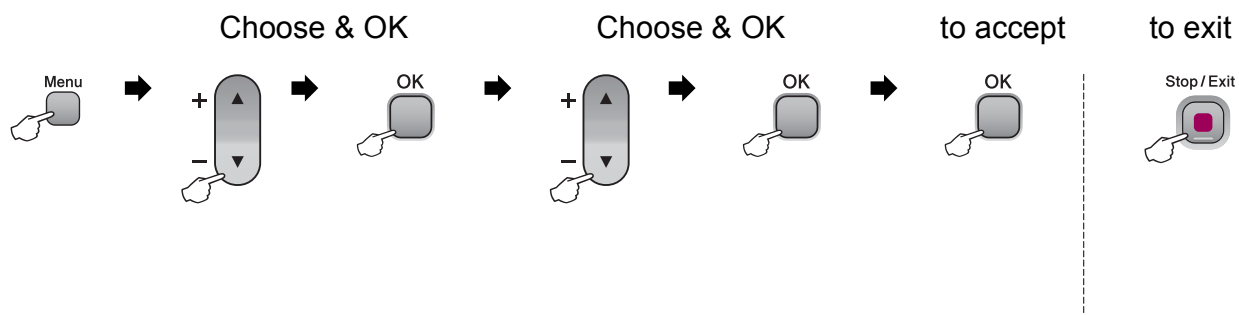
	
	Access the menu.
	Scroll through the current menu level.
	Go to the next menu level. Accept an option.
	Exit the menu or stop the current operation.


To access the menu mode:

- 1 Press **Menu**.
- 2 Choose an option.
You can scroll more quickly through each menu level by pressing ▲ or ▼ for the direction you want.
- 3 Press **OK** when that option appears on the LCD.
The LCD will then show the next menu level.
- 4 Press ▲ or ▼ to scroll to your next menu selection.
- 5 Press **OK**.
When you finish setting an option, the LCD shows *Accepted*.
- 6 Press **Stop/Exit**.

Menu Table

The menu table will help you understand the menu selections and options that are found in the machine's programs. The factory settings are shown in Bold with an asterisk.




Main Menu	Submenu	Menu Selections	Options	Descriptions	Page
1.Copy	1.Paper Type	—	Plain Paper* Inkjet Paper Brother BP71 Other Glossy Transparency	Sets the type of paper in the paper tray.	27
	2.Paper Size	—	Letter Legal A4* A5 10x15cm	Sets the size of the paper in the paper tray.	28
	3.Quality	—	Best Normal* Fast	Chooses the copy resolution for your type of document.	23
	4.Brightness	—	-□□□■+ -□□■□+ -□■□□+* -■□□□+ -■□□□+	Adjusts the brightness for copies.	26
	5.Contrast	—	-□□□■+ -□□■□+ -□■□□+* -■□□□+ -■□□□+	Adjusts the contrast for copies.	27
 The factory settings are shown in Bold with an asterisk.					


C

Main Menu	Submenu	Menu Selections	Options	Descriptions	Page
2. PhotoCapture	1. Print Quality	—	Normal Photo*	Selects the print quality.	36
	2. Paper Type	—	Plain Paper Inkjet Paper Brother BP71 Other Glossy*	Selects the paper type.	36
	3. Paper Size	—	Letter A4 10 x 15cm* 13 x 18cm	Selects the paper size.	37
	4. Print Size	—	8 x 10cm 9 x 13cm 10 x 15cm 13 x 18cm 15 x 20cm Max. Size*	Selects the print size. (Appears when A4 or Letter is selected in the Paper Size menu.)	37





The factory settings are shown in Bold with an asterisk.

Main Menu	Submenu	Menu Selections	Options	Descriptions	Page
2. PhotoCapture (Continued)	5. Color Enhance	Enhance: On	1. Brightness	Adjusts the brightness.	37
		Enhance: Off*	-□□□■+		
			-□□□■+		
			-□□■□+*		
			-□■□□+		
			-■□□□+		
			2. Contrast	Adjusts the contrast.	37
			-□□□■+		
			-□□□■+		
			-□□■□+*		
			-□■□□+		
			-■□□□+		
			3. White Balance	Adjusts the hue of the white areas.	38
			-□□□■+		
			-□□□■+		
			-□□■□+*		
			-□■□□+		
			-■□□□+		
			4. Sharpness	Enhances the detail of the image.	38
			-□□□■+		
			-□□□■+		
			-□□■□+*		
			-□■□□+		
			-■□□□+		
			5. Color Density	Adjusts the total amount of colour in the image.	39
			-□□□■+		
			-□□□■+		
			-□□■□+*		
			-□■□□+		
			-■□□□+		
	6. Cropping	—	On* Off	Crops the image around the margin to fit the paper size or print size. Turn this feature off if you want to print whole images or prevent unwanted cropping.	39
 The factory settings are shown in Bold with an asterisk.					

Main Menu	Submenu	Menu Selections	Options	Descriptions	Page	
2. PhotoCapture (Continued)	7.Borderless	—	On* Off	Expands the printable area to fit the edges of the paper.	40	
	8.Date Print	—	On Off*	Prints the date on your photo.	40	
	0.Scan to Media	1.Quality	B/W 200x100 dpi B/W 200 dpi Color 150 dpi* Color 300 dpi Color 600 dpi		Selects the Scan resolution for your type of document.	40
		2.B/W File Type	TIFF* PDF		Selects the default file format for black and white scanning.	
		3.ColorFile Type	PDF* JPEG		Selects the default file format for colour scanning.	
 The factory settings are shown in Bold with an asterisk.						

Network menu (DCP-365CN, DCP-373CW, DCP-375CW, DCP-377CW only)

Level1	Level2	Level3	Level4	Options	Descriptions
3. Network	1. Wired LAN	1. TCP/IP	1. BOOT Method	Auto* Static RARP BOOTP DHCP	Chooses the BOOT method that best suits your needs.
			2. IP Address	[000-255]. [000-255]. [000-255]. [000-255]	Enter the IP address.
			3. Subnet Mask	[000-255]. [000-255]. [000-255]. [000-255]	Enter the Subnet mask.
			4. Gateway	[000-255]. [000-255]. [000-255]. [000-255]	Enter the Gateway address.
			5. Node Name	BRNXXXXXXXXXXXX	You can see the current Node name.
			6. WINS Config	Auto* Static	Chooses the WINS configuration mode.
			7. WINS Server	(Primary) 000.000.000.000 (Secondary) 000.000.000.000	Specifies the IP address of the primary or secondary server.
			8. DNS Server	(Primary) 000.000.000.000 (Secondary) 000.000.000.000	Specifies the IP address of the primary or secondary server.
			9. APIPA	On* Off	Automatically allocates the IP address from the link-local address range.
See <i>Network User's Guide</i> on the CD-ROM.					
 The factory settings are shown in Bold with an asterisk.					

Level1	Level2	Level3	Level4	Options	Descriptions
3. Network (Continued)	1. Wired LAN (Continued)	2. Ethernet	—	Auto* 100B-FD 100B-HD 10B-FD 10B-HD	Chooses the Ethernet link mode.
		3. MAC Address	—	—	You can see your machine's MAC address from the control panel.
See <i>Network User's Guide</i> on the CD-ROM.					
 The factory settings are shown in Bold with an asterisk.					

Level1	Level2	Level3	Level4	Options	Descriptions
3. Network (Continued)	2. WLAN	1. TCP/IP	1. BOOT Method	Auto* Static RARP BOOTP DHCP	Chooses the BOOT method that best suits your needs.
			2. IP Address	[000-255]. [000-255]. [000-255]. [000-255]	Enter the IP address.
			3. Subnet Mask	[000-255]. [000-255]. [000-255]. [000-255]	Enter the Subnet mask.
			4. Gateway	[000-255]. [000-255]. [000-255]. [000-255]	Enter the Gateway address.
			5. Node Name	BRWXXXXXXXXXXXXX	You can see the current Node name.
			6. WINS Config	Auto* Static	Chooses the WINS configuration mode.
			7. WINS Server	(Primary) 000.000.000.000 (Secondary) 000.000.000.000	Specifies the IP address of the primary or secondary server.
			8. DNS Server	(Primary) 000.000.000.000 (Secondary) 000.000.000.000	Specifies the IP address of the primary or secondary server.
			9. APIPA	On* Off	Automatically allocates the IP address from the link-local address range.

See *Network User's Guide* on the CD-ROM.




The factory settings are shown in Bold with an asterisk.


Level1	Level2	Level3	Level4	Options	Descriptions
3. Network (Continued)	2. WLAN (Continued)	2. Setup Wizard	—	—	You can configure your print server.
		3. SES/WPS/AOSS	—	—	You can easily configure your wireless network settings using the one-button push method.
		4. WPS w/PIN Code	—	—	You can easily configure your wireless network settings using WPS with a PIN code.
		5. WLAN Status	1. Status	—	You can see the current wireless network status.
			2. Signal	—	You can see the current wireless network signal strength.
			3. SSID	—	You can see the current SSID.
	4. Comm. Mode		—	You can see the current Communication Mode.	
	6. MAC Address	—	—	You can see your machine's MAC address from the control panel.	
	3. Network I/F	—	Wired LAN* WLAN	—	You can choose the network connection type.
	0. Network Reset	—	—	—	Restores all wired and wireless network settings to the factory default.

See *Network User's Guide* on the CD-ROM.



The factory settings are shown in Bold with an asterisk.

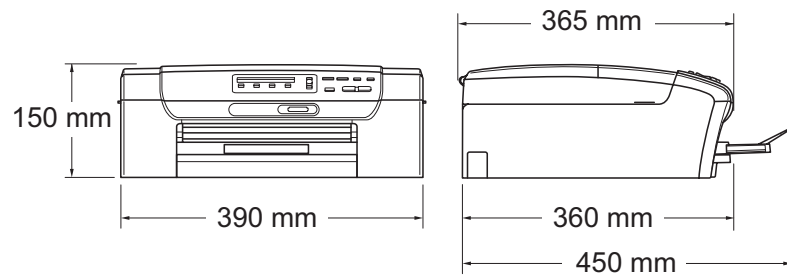
Main Menu	Submenu	Menu Selections	Options	Descriptions	Page
3. Print Reports (DCP-193C, DCP-195C, DCP-197C) 4. Print Reports (DCP-365CN, DCP-373CW, DCP-375CW, DCP-377CW)	1. Help List	—	—	You can print these lists and report.	20
	2. User Settings	—	—		
	3. Network Config (DCP-365CN, DCP-373CW, DCP-375CW, DCP-377CW)	—	—	—	Lists your Network settings.
4. Machine Info. (DCP-193C, DCP-195C, DCP-197C) 5. Machine Info. (DCP-365CN, DCP-373CW, DCP-375CW, DCP-377CW)	1. Serial No.	—	—	Lets you check the serial number of your machine.	78
 The factory settings are shown in Bold with an asterisk.					

Main Menu	Submenu	Menu Selections	Options	Descriptions	Page
0. Initial Setup	1. Date & Time	—	—	Puts the date and time on your machine.	See <i>Quick Setup Guide</i> .
	2. LCD Contrast	—	Light Dark*	Adjusts the contrast of the LCD.	19
	3. Sleep Mode	—	1 Min 2 Mins 3 Mins 5 Mins* 10 Mins 30 Mins 60 Mins	You can choose how long the machine must be idle before it goes into sleep mode.	19
	4. Reset	1. Network (DCP-365CN, DCP-373CW, DCP-375CW, DCP-377CW)	—	Resets the print server back to its factory default settings, such as the password and IP address information.	78
			1. All Settings (DCP-193C, DCP-195C, DCP-197C) 2. All Settings (DCP-365CN, DCP-373CW, DCP-375CW, DCP-377CW)	—	Resets all the machine's settings back to the settings that were set at the factory.
	0. Local Language (For UK and Ireland)	—	English* French German Dutch Italian	Allows you to change the LCD language for your country.	19
 The factory settings are shown in Bold with an asterisk.					

General

Printer Type	Inkjet	
Print Method	Black:	Piezo with 94 × 1 nozzle
	Colour:	Piezo with 94 × 3 nozzles
Memory Capacity	32 MB	
LCD (Liquid Crystal Display)	16 characters × 1 line	
Power Source	AC 220 to 240 V 50/60 Hz	
Power Consumption	DCP-193C, DCP-195C, DCP-197C	
	Off Mode:	Average 0.5 W
	Sleep Mode:	Average 1.5 W
	Standby:	Average 3.5 W
	Operating:	Average 18 W
	DCP-365CN	
	Off Mode:	Average 0.5 W
	Sleep Mode:	Average 3 W
	Standby:	Average 5 W
	Operating:	Average 20 W
	DCP-373CW, DCP-375CW, DCP-377CW	
	Off Mode:	Average 0.5 W
	Sleep Mode:	Average 3 W
	Standby:	Average 5 W
	Operating:	Average 21 W

Dimensions



Weight

7.1kg

Noise

Operating: LPAM = 50 dB or less ¹

Noise per ISO 9296

Operating: LWAd = 62.1 dB (A) (Mono)
LWAd = 53.7 dB (A) (Colour)

Office equipment with LWAd > 63.0 dB (A) is not suitable for use in rooms where people do primarily intellectual work. Such equipment should be placed in separate rooms because of the noise emission.

Temperature

Operating: 10 - 35°C

Best Print Quality: 20 - 33°C

Humidity

Operating: 20 - 80% (without condensation)

Best Print Quality: 20 - 80% (without condensation)

¹ This depends on printing conditions.

Print media

Paper Input

Paper Tray

■ Paper type:

Plain paper, inkjet paper (coated paper), glossy paper ¹, transparency ^{1 2} and envelopes

■ Paper size:

Letter, Legal, Executive, A4, A5, A6, JIS B5, envelopes (commercial No.10, DL, C5, Monarch, JE4), Photo 10 × 15 cm, Photo 2L 13 × 18 cm, Index card and Postcard ³

Width: 98 mm - 215.9 mm

Length: 148 mm - 355.6 mm

For more details, see *Paper weight, thickness and capacity* on page 16.

■ Maximum paper tray capacity:

Approx. 100 sheets of 80 g/m² plain paper

Paper Output

Up to 50 sheets of A4 plain paper (face up print delivery to the output paper tray) ¹

¹ For glossy paper or transparencies, we recommend removing printed pages from the output paper tray immediately after they exit the machine to avoid smudging.

² Use only transparencies recommended for inkjet printing.

³ See *Paper type and size for each operation* on page 15.

Copy

Colour/Monochrome

Yes/Yes

Document Size

Scanner Glass Width: Max. 215.9 mm

Scanner Glass Length: Max. 297 mm

Multiple Copies

Stacks up to 99 pages

Enlarge/Reduce

25% to 400% (in increments of 1%)

Resolution

(Monochrome)

- Scans up to 1200 × 1200 dpi

- Prints up to 1200 × 1200 dpi

(Colour)

- Scans up to 600 × 1200 dpi

- Prints up to 600 × 1200 dpi

PhotoCapture Center™



The DCP-373CW, DCP-375CW and DCP-377CW only support memory cards.

Compatible Media ¹	Memory Stick™ Memory Stick PRO™ Memory Stick Micro™ (M2™) with adapter Memory Stick Duo™ with adapter SD ² SDHC ³ microSD with adapter miniSD with adapter xD-Picture Card™ ⁴ USB Flash memory drive ⁵
Resolution	Up to 1200 × 2400 dpi
File Extension (Media Format) (Image Format)	DPOF, Exif DCF Photo Print: JPEG ⁶ Scan to Media: JPEG, PDF (Colour) TIFF, PDF (Monochrome)
Number of Files	Up to 999 files in the memory card (The folder inside memory cards or USB Flash memory drive is also counted.)
Folder	File must be in the 4th folder level of the memory card or USB Flash memory drive.
Borderless	Letter, A4, Photo 10×15 cm, Photo 2L (13×18 cm) ⁷

¹ Memory cards, adapters and USB Flash memory drive are not included.

² 16 MB to 2 GB

³ 4 GB to 16 GB

⁴ xD-Picture Card™ Conventional Card from 16 MB to 512 MB

xD-Picture Card™ Type M from 256 MB to 2 GB

xD-Picture Card™ Type M+ 1 GB and 2 GB

xD-Picture Card™ Type H from 256 MB to 2 GB

⁵ USB 2.0 standard

USB Mass Storage Class from 16 MB to 32 GB

Support format: FAT12/FAT16/FAT32

⁶ Progressive JPEG format is not supported.

⁷ See *Paper type and size for each operation* on page 15.

PictBridge (DCP-193C, DCP-195C, DCP-197C and DCP-365CN only)

Compatibility

Supports the Camera & Imaging Products Association PictBridge standard CIPA DC-001.

Visit <http://www.cipa.jp/pictbridge> for more information.

Interface

PictBridge (USB) Port

Scanner

Colour/Monochrome	Yes/Yes
TWAIN Compliant	Yes (Windows® 2000 Professional/Windows® XP/ Windows® XP Professional x64 Edition/Windows Vista®) Mac OS X 10.3.9 - 10.4.x - 10.5.x ¹
WIA Compliant	Yes (Windows® XP ² /Windows Vista®)
Colour Depth	36 bit colour Processing (Input) 24 bit colour Processing (Output) (Actual Input: 30 bit colour/Actual Output: 24 bit colour) ³
Resolution	Up to 19200 × 19200 dpi (interpolated) ³ Up to 1200 × 2400 dpi (optical) (Scanner Glass)
Scanning Speed	Monochrome: Up to 3.44 sec. Colour: Up to 4.83 sec. (A4 size in 100 × 100 dpi)
Document Size	Scanner Glass Width: Max. 215.9 mm Scanner Glass Length: Max. 297 mm
Scanning Width	Up to 210 mm
Greyscale	256 levels

¹ For the latest driver updates for the Mac OS X you are using, visit <http://solutions.brother.com>.

² Windows® XP in this User's Guide includes Windows® XP Home Edition, Windows® XP Professional, and Windows® XP Professional x64 Edition.

³ Maximum 1200 × 1200 dpi scanning when using the WIA Driver for Windows® XP, and Windows Vista® (resolution up to 19200 × 19200 dpi can be selected by using the Brother scanner utility)

Printer

Printer Driver

Windows® 2000 Professional/Windows® XP/
Windows® XP Professional x64 Edition/Windows Vista®/
Windows Server® 2003 ¹/
Windows Server® 2003 x64 Edition ¹/
Windows Server® 2008 ¹ driver supporting Brother Native
Compression mode

Mac OS X 10.3.9 - 10.4.x - 10.5.x ²: Brother Ink driver

Resolution

Up to 1200 × 6000 dpi

1200 × 2400 dpi

1200 × 1200 dpi

600 × 1200 dpi

600 × 600 dpi

600 × 300 dpi

450 × 150 dpi (Mono)

600 × 150 dpi (Colour)

Print Speed

Monochrome: Up to 33 pages/minute ³

Colour: Up to 27 pages/minute ³

Printing Width

204 mm (210 mm) ⁴ (A4 size)

Borderless

Letter, A4, A6, Photo (10×15 cm), Index Card,
Photo 2L (13×18 cm), Postcard 1 ⁵

¹ Print only via network.

² For the latest driver updates for the Mac OS X you are using, visit <http://solutions.brother.com>.

³ Based on Brother standard pattern.
A4 size in draft mode.

⁴ When Borderless feature is set to On.

⁵ See *Paper type and size for each operation* on page 15.

Interfaces

USB ^{1 2}	A USB 2.0 interface cable that is no longer than 2 m
LAN cable ³ (DCP-365CN, DCP-373CW, DCP-375CW and DCP-377CW)	Ethernet UTP cable category 5 or greater
Wireless LAN (DCP-373CW, DCP-375CW and DCP-377CW)	Your machine supports IEEE 802.11b/g wireless communication with your wireless LAN using Infrastructure mode or a wireless Peer-to-Peer connection in Ad-hoc Mode.

- ¹ Your machine has a Full-speed USB 2.0 interface. This interface is compatible with Hi-Speed USB 2.0; however, the maximum data transfer rate will be 12 Mbits/s. The machine can also be connected to a computer that has a USB 1.1 interface.
- ² Third party USB ports are not supported.
- ³ See *Network (LAN) (DCP-365CN, DCP-373CW, DCP-375CW and DCP-377CW only)* on page 104 and the *Network User's Guide* for detailed network specifications.

Computer requirements

SUPPORTED OPERATING SYSTEMS AND SOFTWARE FUNCTIONS									
Computer Platform & Operating System Version		Supported PC Software Functions	PC Interface	Processor Minimum Speed	Minimum RAM	Recommended RAM	Hard Disk Space to install		
							For Drivers	For Applications	
Windows® Operating System ¹	Windows® 2000 Professional ⁴	Printing, Scanning, Removable Disk ⁵	USB, 10/100 Base-TX (Ethernet), (DCP-365CN/373CW/375CW/377CW) Wireless 802.11b/g (DCP-373CW/375CW/377CW)	Intel® Pentium® II or equivalent	64 MB	256 MB	110 MB	340 MB	
	Windows® XP Home ^{2 4} Windows® XP Professional ^{2 4}				128 MB		110 MB	340 MB	
	Windows® XP Professional x64 Edition ²			64-bit (Intel®64 or AMD64) supported CPU	256 MB	512 MB	110 MB	340 MB	
	Windows Vista® ²			Intel® Pentium® 4 or equivalent 64-bit (Intel®64 or AMD64) supported CPU	512 MB	1 GB	600 MB	530 MB	
Windows Server®	Windows Server® 2003 (print only via network)	Printing	10/100 Base-TX (Ethernet), (DCP-365CN/373CW/375CW/377CW) Wireless 802.11b/g (DCP-373CW/375CW/377CW)	Intel® Pentium® III or equivalent	256 MB	512 MB	50 MB	N/A	
	Windows Server® 2003 x64 Edition (print only via network)			64-bit (Intel®64 or AMD64) supported CPU	512 MB				2 GB
	Windows Server® 2008 (print only via network)			Intel® Pentium® 4 or equivalent 64-bit (Intel®64 or AMD64) supported CPU	512 MB				2 GB
Macintosh Operating System	Mac OS X 10.3.9 - 10.4.3	Printing, Scanning, Removable Disk ⁵	USB ³ , 10/100 Base-TX (Ethernet), (DCP-365CN/373CW/375CW/377CW) Wireless 802.11b/g (DCP-373CW/375CW/377CW)	PowerPC G4/G5 PowerPC G3 350MHz	128 MB	256 MB	80 MB	400 MB	
	Mac OS X 10.4.4 - 10.5.x			PowerPC G4/G5 Intel® Core™ Processor	512 MB				1 GB

Conditions:

- ¹ Microsoft® Internet Explorer® 5.5 or greater.
- ² For WIA, 1200 × 1200 resolution. Brother Scanner Utility enables to enhance up to 19200 × 19200 dpi.
- ³ Third party USB ports are not supported.
- ⁴ PaperPort™ 11SE supports Microsoft® SP4 or higher for Windows® 2000 and SP2 or higher for XP.
- ⁵ Removable disk is a function of PhotoCapture Center™.

For the latest driver updates, visit <http://solutions.brother.com>.

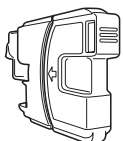
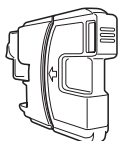
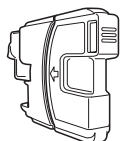
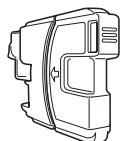
All trademarks, brand and product names are property of their respective companies.

Consumable items

Ink The machine uses individual Black, Yellow, Cyan and Magenta ink cartridges that are separate from the print head assembly.

Service Life of Ink Cartridge The first time you install a set of ink cartridges the machine will use an amount of ink to fill the ink delivery tubes for high quality printouts. This process will only happen once. After this process is complete the cartridges provided with your machine will have a lower yield than standard cartridges (65 %). With all following ink cartridges you can print the specified number of pages.

Replacement Ink cartridge

Black (LC980BK)	Yellow (LC980Y)	Cyan (LC980C)	Magenta (LC980M)
			

Black - Approximately 300 pages ¹

Yellow, Cyan and Magenta - Approximately 260 pages ¹

For more information about the replacement consumables, visit us at <http://www.brother.com/pageyield>.

¹ Approx. cartridge yield is declared in accordance with ISO/IEC 24711.

What is Innobella™?

Innobella™ is a range of genuine consumables offered by Brother. The name "Innobella™" derives from the words "Innovation" and "Bella" (meaning "Beautiful" in Italian) and is a representation of the "innovative" technology providing you with "beautiful" and "long lasting" print results.

When you print photo images, Brother recommends Innobella™ glossy photo paper (BP71 series) for high quality. Brilliant prints are made easier with Innobella™ ink and paper.



Network (LAN) (DCP-365CN, DCP-373CW, DCP-375CW and DCP-377CW only)

LAN	You can connect your machine to a network for Network Printing, Network Scanning and access photos from PhotoCapture Center™ ¹ . Also included is Brother BRAdmin Light ² Network Management software.	
Support for	Windows® 2000 Professional/Windows® XP/Windows® XP Professional x64 Edition/Windows Vista®/Windows Server® 2003 ³ /Windows Server® 2003 x64 Edition ³ /Windows Server® 2008 ³ Mac OS X 10.3.9 - 10.4.x - 10.5.x ⁴ Ethernet 10/100 BASE-TX Auto Negotiation (Wired LAN) (DCP-373CW/375CW/377CW) IEEE 802.11 b/g (Wireless LAN)	
Protocols	TCP/IP for IPv4:	ARP, RARP, BOOTP, DHCP, APIPA (Auto IP), NetBIOS/WINS, LPR/LPD, Custom Raw Port/Port9100, DNS Resolver, mDNS, LLMNR responder, FTP Server, TELNET, SNMPv1, TFTP, Scanner Port, LLTD responder, Web Services (printing)
Network Security	SSID/ESSID, 128 (104) / 64 (40) bit WEP, WPA2-PSK (AES), WPA-PSK (TKIP/AES)	
Setup Support Utility (DCP-373CW, DCP-375CW and DCP-377CW)	SecureEasySetup™	Yes (simple setup with your SecureEasySetup™-capable access point/router)
	AOSS™	Yes (simple setup with your AOSS™-capable access point/router)
	WPS	Yes (simple setup with your Wi-Fi Protected Setup-capable access point/router)

¹ See the Computer Requirements chart on page 102.

² If you require more advanced printer management, use the latest Brother BRAdmin Professional utility version that is available as a download from <http://solutions.brother.com>.

³ Print only via network.

⁴ For the latest driver updates for the Mac OS X you are using, visit <http://solutions.brother.com>.

Wireless one-push configuration (DCP-373CW/375CW/377CW)

If your wireless access point supports either SecureEasySetup™, Wi-Fi Protected Setup (PBC¹) or AOSS™, you can configure the machine easily without a computer. By pushing a button on the wireless LAN router / access point and the machine, you can set up the wireless network and security settings. See the user's guide for your wireless LAN router / access point for instructions on how to access one-push mode.

¹ Push Button Configuration



Note

Routers or access points that support SecureEasySetup™, Wi-Fi Protected Setup or AOSS™ have the symbols shown below.



E

Index

A	
<hr/>	
Apple Macintosh	
See Software User's Guide on the CD-ROM.	
C	
<hr/>	
Cleaning	
paper pick-up roller	75
print head	75
printer platen	74
scanner	74
Consumable items	103
Control panel overview	6
ControlCenter	
See Software User's Guide on the CD-ROM.	
Copy	
Copy Quality key	23
Enlarge/Reduce	24
keys	22
multiple	22
paper	27
single	22
temporary settings	22
using scanner glass	17
Copy Options key (copying)	
Paper Size	28
Paper Type	27
Copy Quality key	22
E	
<hr/>	
Envelopes	10, 15, 16
Error messages on LCD	65
B&W Print Only	65
Cannot Detect	65
Cannot Print	66
Init. Unable	66
Ink Low	66
No Cartridges	66
No Paper Fed	67
Out of Memory	67
Print Unable	67
Scan Unable	67
Unable to Clean	66
G	
<hr/>	
Greyscale	99
H	
<hr/>	
Help	
LCD messages	81
using menu keys	81
Menu Table	81
I	
<hr/>	
Ink cartridges	
checking ink volume	77
ink dot counter	71
replacing	71
Innobella™	103
J	
<hr/>	
Jams	
paper	69
L	
<hr/>	
LCD (liquid crystal display)	81
Contrast	19
Help List	20
Language	19
M	
<hr/>	
Macintosh	
See Software User's Guide on the CD-ROM.	
Maintenance, routine	
replacing ink cartridges	71
Memory Storage	81
Menu Table	81
Mode, entering	
PhotoCapture	7
Scan	6

N

Network

Printing

See Network User's Guide on the CD-ROM.

Scanning

See Software User's Guide on the CD-ROM.

O

Out of Memory message 67

P

Packing and shipping the machine 79

Paper 13, 95

capacity 16

loading 8

size 15

type 15

PaperPort™ 11SE with OCR

See Software User's Guide on the CD-ROM and PaperPort™ 11SE with OCR How-to-Guides.

PhotoCapture Center™

Borderless 40

Cropping 39

Date Print 40

DPOF printing 35

from PC

See Software User's Guide on the CD-ROM.

Memory Stick PRO™ 30

Memory Stick™ 30

Print settings

Brightness 37

Colour density 39

Contrast 37

Paper type & size 36, 37

Print quality 36

Quality 36

Sharpness 38

White Balance 38

Printing images 34

Printing Index 33

Scan to Media 40

SD 30

SDHC 30

specifications 97

xD-Picture Card™ 30

PictBridge

DPOF Printing 44

Presto! PageManager

See Help in Presto! PageManager application.

Print

area 12

difficulties 60

drivers 100

improving quality 75, 76

paper jams 69

reports 20

resolution 100

specifications 100

Printing

on small paper 11

Programming your machine 81

R

Reducing

copies 24

Reports

Help List 20

how to print 20

Network Configuration 20

User Settings 20

Resolution

copy 96

print 100

scan 99

S

Safety Instructions 55

Scanner glass

cleaning 74

using 17

Scanning

See Software User's Guide on the CD-ROM.

Serial Number

how to find See inside front cover

Shipping the machine 79

Sleep Mode 19

T

Temporary copy settings	22
Transparencies	16, 95
Troubleshooting	60
checking ink volume	77
error messages on LCD	65
if you are having difficulty	
copying	62
Network	64
PhotoCapture Center™	63
printing	60
scanning	62
software	63
paper jam	69
print quality	75, 76

W

Windows®

See Software User's Guide on the CD-ROM.

Wireless Network

See Quick Setup Guide and Network User's Guide on the CD-ROM.

brother®

Visit us on the World Wide Web
<http://www.brother.com>

This machine is approved for use in the country of purchase only. Local Brother companies or their dealers will only support machines purchased in their own countries.

Free Manuals Download Website

<http://myh66.com>

<http://usermanuals.us>

<http://www.somanuals.com>

<http://www.4manuals.cc>

<http://www.manual-lib.com>

<http://www.404manual.com>

<http://www.luxmanual.com>

<http://aubethermostatmanual.com>

Golf course search by state

<http://golfingnear.com>

Email search by domain

<http://emailbydomain.com>

Auto manuals search

<http://auto.somanuals.com>

TV manuals search

<http://tv.somanuals.com>