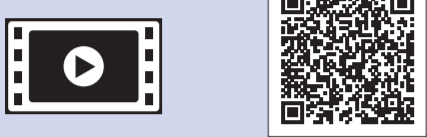
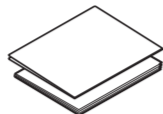


# 1 Unpack the machine and check the components

The components included in the box may differ depending on your country. Remove the protective tape and film covering the machine and the ink tank cover.



Watch our FAQ videos for help with setting up your Brother machine. [support.brother.com/videos](http://support.brother.com/videos)

### Inbox Ink Bottles\*

- Black
  - Yellow
  - Cyan
  - Magenta
- \* Inbox ink bottles contain the following yield of replacement bottles:  
- Black: approx. 95% yield  
- Others: approx. 90% yield  
➤ *Reference Guide: Supply Specifications*

### Quick Setup Guide Product Safety Guide



### Brother Installation Disc

### Power Cord



### Telephone Line Cord (MFC-T810W only)

### USB Interface Cable (For some countries)



### Cleaning Kit (For some countries)

### NOTE

- The *Reference Guide* for these models is available on the enclosed installation disc.
- The illustrations in this *Quick Setup Guide* show the MFC-T810W.
- Save all packing materials and the box in case you must ship your machine.
- **You must purchase the correct interface cable for the interface you want to use. A USB cable is included with some models.**

### USB cable

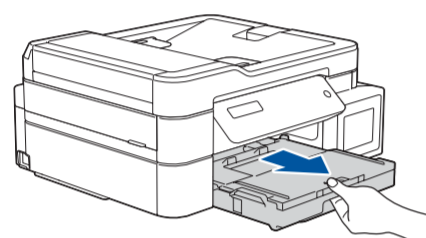
We recommend using a USB 2.0 cable (Type A/B) that is no more than 2 metres long.

### Ethernet (Network) cable (MFC-T810W only)

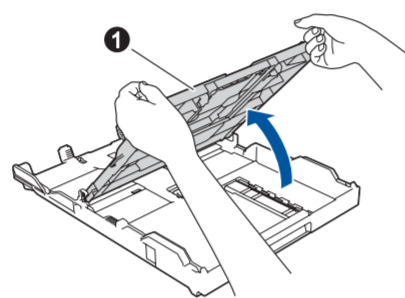
Use a straight-through Category 5 (or greater) twisted-pair cable for 10BASE-T or 100BASE-TX Fast Ethernet Network.

# 2 Load paper in the paper tray

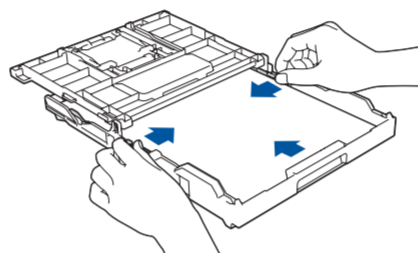
For more information about paper handling and sizes, see the *Reference Guide*.



Pull the paper tray completely out of the machine.

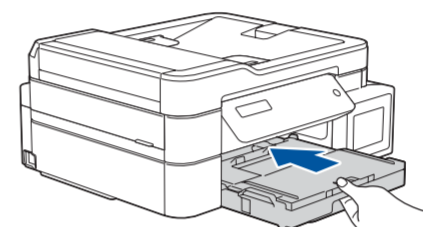


Open the output paper tray cover 1.

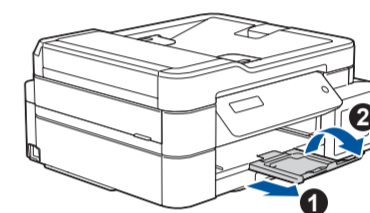


Adjust the paper guides.

Fan the paper well and load it in the tray.



Close the output paper tray cover, and then slowly push the tray completely into the machine.



### NOTE

Pull out the paper support 1, and unfold the paper support flap 2 so that the printed pages do not fall.

# 3 Connect the power cord

Connect the power cord. The machine will power on automatically.

# 4 Select your country or language (Initial setup only)

After turning the machine on, you may need to set your country or language (depending on your machine). If required, follow the steps on the LCD.

# 5 Set the date and time

### For DCP models:

Press ▲, ▼, ◀ or ▶ to select the number, and then press **OK** to set the date and time.

### For MFC model:

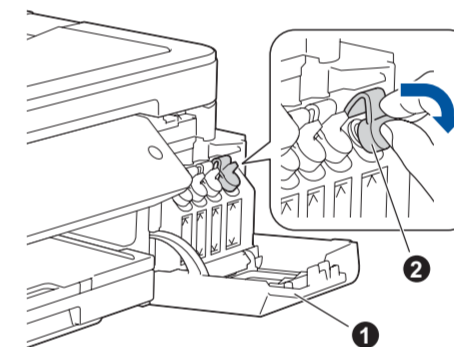
Follow the prompts displayed on the LCD to set the date and time.

# 6 Fill the ink tanks with the inbox ink

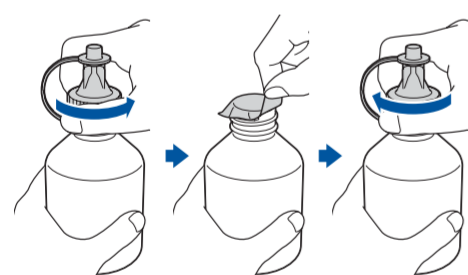
### IMPORTANT

Check the ink bottle model name on the label. Incorrect ink may cause damage to the machine.

BK (Dye)	CMY
BT600BK	BT5000CMY
BT600BK	BT5001CMY
BT600BK	BT5009CMY
DO NOT USE	
BK (Pigment)	
BT6000BK	
BT6001BK	
BT6009BK	



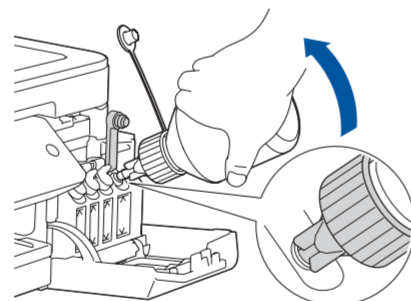
Open the ink tank cover 1 and pull the tab 2 downwards to open the cap of the ink tank.



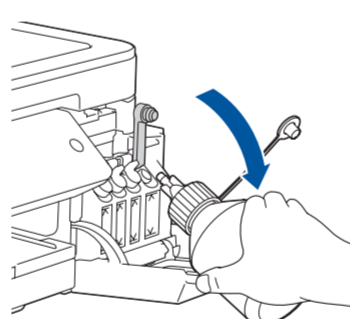
Remove the cap and protective film from the ink bottle, and then replace the cap.

### NOTE

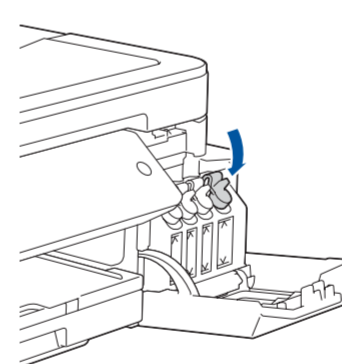
Fasten the ink bottle cap tightly to avoid leakage.



Remove the tip of the ink bottle. Insert the nozzle of the ink bottle firmly so that the ink does not spill. Fill the ink tank by gently squeezing the bottle as shown. Empty the entire bottle into the ink tank.



Point the nozzle upward so that the ink does not spill, and then remove the nozzle from the ink tank.



Push down on the cap of the ink tank to close it tightly. Repeat step 6 for the three other ink tanks.

Close the ink tank cover. The machine will prepare the ink tube system for printing.

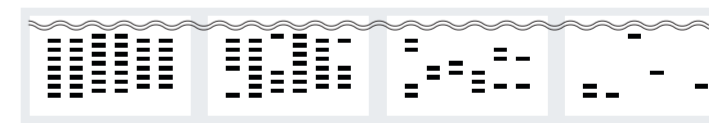
# 7 Machine settings

When the machine has finished the initial cleaning process, follow the steps on the LCD to configure the machine settings.

- Check print quality
- Print the installation sheet

### NOTE

Refer to the sample below to check the print quality.



None A Few About Half Many

# 8 Select your language (if needed and only for certain models)

### 1. For DCP models:

- Press **Menu**.
- Press ▲ or ▼ to select [Initial Setup], and then press **OK**.
- Press ▲ or ▼ to select [Local Language], and then press **OK**.

### For MFC model:

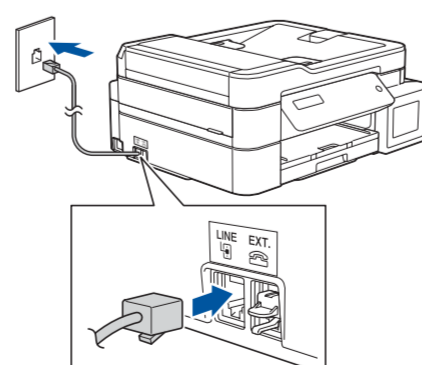
Press **Menu**, **0**, **0**.

### 2. Press ▲ or ▼ to select your language, and then press **OK**.

### 3. Press **Stop/Exit**.

# 9 Connect the telephone line cord (MFC-T810W only)

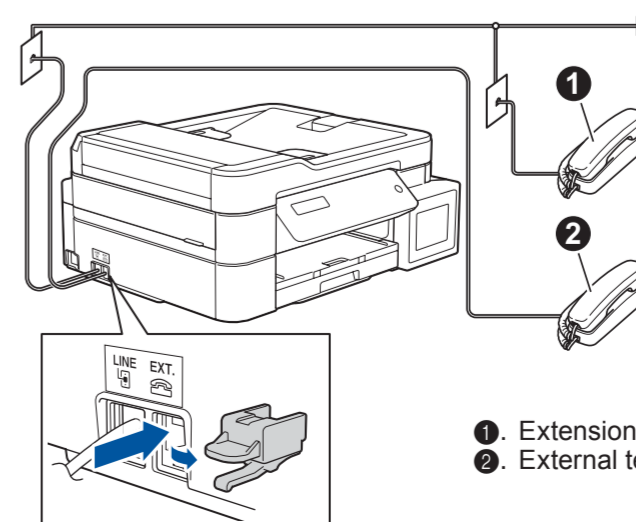
If you are not using your machine as a fax, go to 10.



Connect the telephone line cord. Use the socket marked **LINE**.

### NOTE

If you are sharing one telephone line with an external telephone, connect it as shown below.



1. Extension telephone
2. External telephone

## 10 Select a device to connect to your machine

### Computer



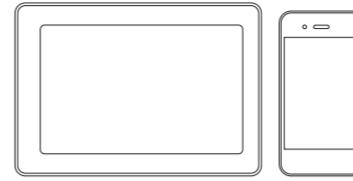
Go to **11** and follow the instructions.

#### NOTE

We recommend configuring wireless settings from your computer.

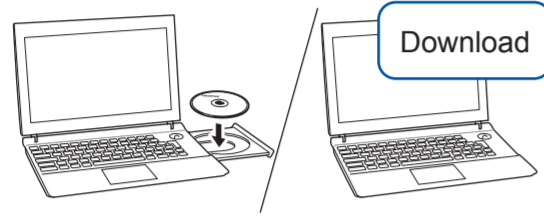
### Mobile Device

(DCP-T510W/DCP-T710W/MFC-T810W only)



Go to **12** and follow the instructions.

## 11 Connect your computer



Put the installation disc into your CD/DVD drive, or download the Full Driver & Software Package at:

For Windows®: [support.brother.com/windows](http://support.brother.com/windows)  
For Mac: [support.brother.com/mac](http://support.brother.com/mac)

If you are using a recently released operating system on your computer, visit the above websites for updated driver and software information.

Follow the on-screen instructions and prompts.

For Windows®:

If the Brother screen does not appear automatically, go to **Computer (My Computer/This PC)**. Double-click the CD/DVD-ROM icon, and then double-click **start.exe**.

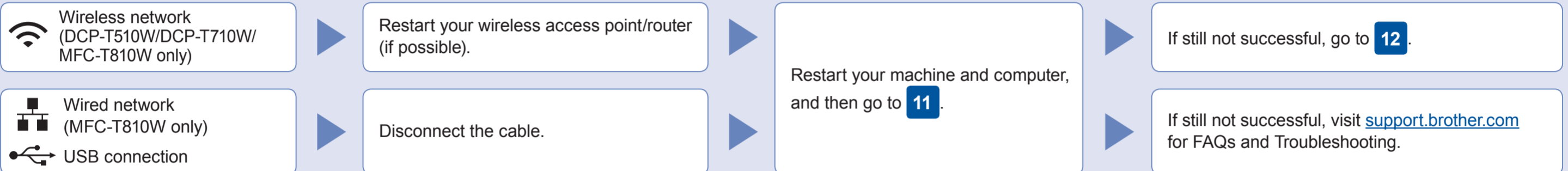
For Mac:

For full driver functionality, we recommend choosing the **CUPS driver** when adding a printer.

Finished

Brother regularly updates firmware to add features and apply bug fixes. To check for the latest firmware, visit [support.brother.com/up4](http://support.brother.com/up4).

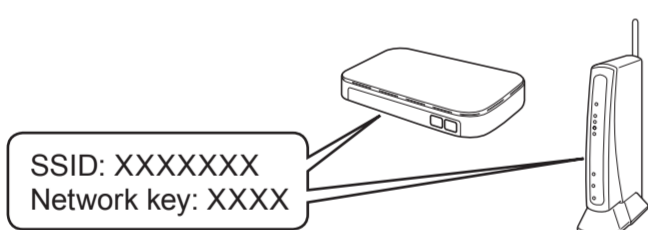
### Can't Connect? Check the following:



## 12 Alternative wireless setup (DCP-T510W/DCP-T710W/MFC-T810W only)

Find your SSID (Network Name) and Network Key (Password) on your wireless access point/router and write them in the table provided below.

SSID (Network Name)	
Network Key (Password)	



If you cannot find this information, ask your network administrator or wireless access point/router manufacturer.

1. Press **Menu**.
2. Press **▲** or **▼** to select [Network], and then press **OK**.
3. Press **▲** or **▼** to select [WLAN], and then press **OK**.
4. Press **▲** or **▼** to select [Setup Wizard], and then press **OK**.

Select the SSID (Network Name) for your access point/router and enter the Network Key (Password). For more information, see *Enter Text on Your Brother Machine* in the *Online User's Guide*.

When the wireless setup is successful, the LCD displays [Connected].

If setup is not successful, restart your Brother machine and your wireless access point/router, and repeat **12**.

For Computer

Go to **11** to install software.

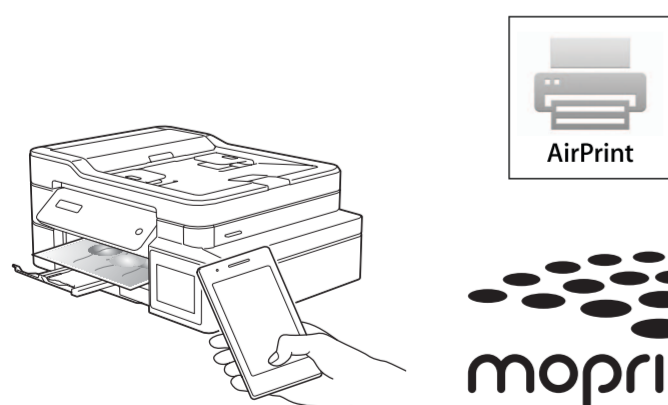
For Mobile Device

Go to **13** to install apps.

Even if you do not have a wireless access point/router, you can connect your device and your machine directly. For additional wireless network support, go to [support.brother.com/wireless-support](http://support.brother.com/wireless-support).

## 13 Print or scan using your mobile device (DCP-T510W/DCP-T710W/MFC-T810W only)

Your mobile device must be connected to the same wireless network as your Brother machine.



AirPrint is available for all supported iOS devices including iPhone, iPad, and iPod touch. You do not need to download any software to use AirPrint. For more information, see the *Online User's Guide*.



Download and install the Mopria® Print Service app from Google Play™ using your Android™ device.



Download and install our free application **Brother iPrint&Scan** from a mobile application store, such as the App Store, Google Play™, or Microsoft® Store using your mobile device.

Brother SupportCenter is a mobile app that provides the latest support information for your Brother product. Visit the App Store or Google Play™ to download.



#### Optional apps

You can print from and scan to your mobile device using various apps. For instructions, see the *Online User's Guide*.



Additional Wireless Support: [support.brother.com/wireless-support](http://support.brother.com/wireless-support)

For FAQs, Troubleshooting, and to download software and manuals, visit [support.brother.com](http://support.brother.com). For product specifications, see the *Online User's Guide*.

© 2017 Brother Industries, Ltd. All rights reserved.



## Free Manuals Download Website

<http://myh66.com>

<http://usermanuals.us>

<http://www.somanuals.com>

<http://www.4manuals.cc>

<http://www.manual-lib.com>

<http://www.404manual.com>

<http://www.luxmanual.com>

<http://aubethermostatmanual.com>

Golf course search by state

<http://golfingnear.com>

Email search by domain

<http://emailbydomain.com>

Auto manuals search

<http://auto.somanuals.com>

TV manuals search

<http://tv.somanuals.com>