

# Start Here

HL-5470DW(T)  
HL-6180DW(T)

Thank you for choosing Brother, your support is important to us and we value your business. Your Brother product is engineered and manufactured to the highest standards to deliver reliable performance, day-in and day-out.

Please read the Product Safety Guide first, then read this Quick Setup Guide for the correct setup and installation procedure.

To view the Quick Setup Guide in other languages, please visit <http://solutions.brother.com/>.

(HL-6180DW(T)) In USA:

Please go to the Brother Solutions Center at <http://solutions.brother.com/> and click Manuals on your model page to download the other manuals.

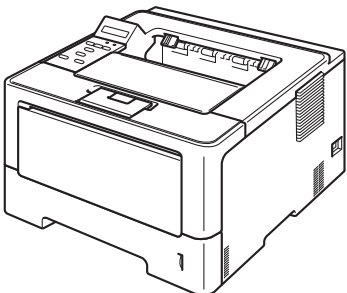
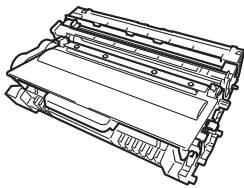
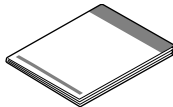

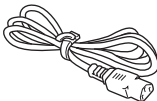



## Note

Not all models are available in all countries.

# 1

## Unpack the machine and check the components

	 <p><b>Drum Unit and Toner Cartridge Assembly</b> (pre-installed)</p>	 <p><b>Quick Setup Guide</b></p>
 <p><b>Installer CD-ROM</b></p>	 <p><b>AC Power Cord</b></p>	 <p><b>Product Safety Guide</b></p>

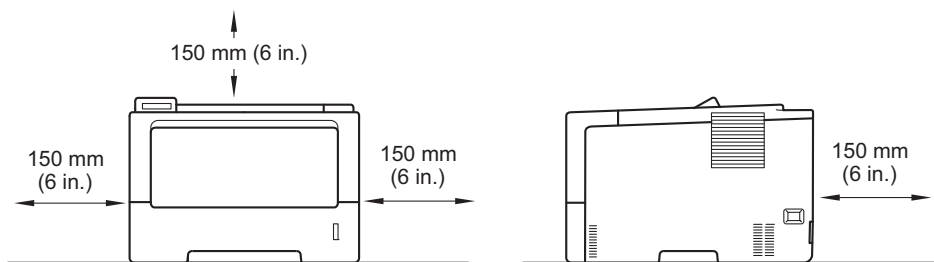
<b>⚠ WARNING</b>	<b>WARNING</b> indicates a potentially hazardous situation which, if not avoided, could result in death or serious injuries.
<b>⚠ CAUTION</b>	<b>CAUTION</b> indicates a potentially hazardous situation which, if not avoided, may result in minor or moderate injuries.

**⚠ WARNING**

- Plastic bags are used in the packing of your machine. Plastic bags are not toys. To avoid the danger of suffocation, keep these bags away from babies and children and dispose of them correctly.
- If you use a Lower Tray, DO NOT carry the machine with the Lower Tray as you may be injured or cause damage to the machine because it is not attached to the Lower Tray.

**Note**

- Keep a minimum gap around the machine as shown in the illustration.



- The components included in the box may differ depending on your country.
- We recommend that you save the original packaging.
- If for any reason you must ship your machine, carefully repack the machine in the original packaging to avoid any damage during transit. The machine should be adequately insured with the carrier. For how to repack the machine, see *Packing and shipping the machine* in the *User's Guide*.
- Illustrations in this Quick Setup Guide are based on the HL-5470DW.
- The interface cable is not a standard accessory. Buy the appropriate interface cable for the connection you want to use (USB or Network).

**USB cable**

It is recommended to use a USB 2.0 cable (Type A/B) that is no longer than 2 meters (6 feet).

**Network cable**

For HL-5470DW(T), use a straight-through Category 5 (or greater) twisted-pair cable for 10BASE-T, 100BASE-TX Fast Ethernet Network.

For HL-6180DW(T), use a straight-through Category 5e (or greater) Shielded Twisted-Pair (STP) cable for 10BASE-T, 100BASE-TX Fast Ethernet Network or 1000BASE-T Gigabit Ethernet Network. When you connect the machine to a Gigabit Ethernet Network, use the network devices complying with 1000BASE-T.

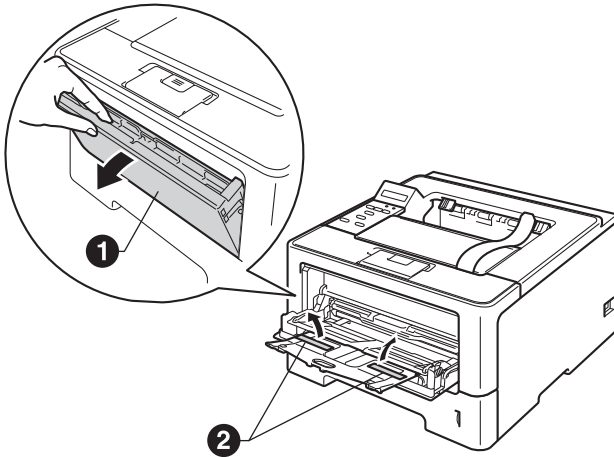
## 2 Remove the packing material from the machine

### Important

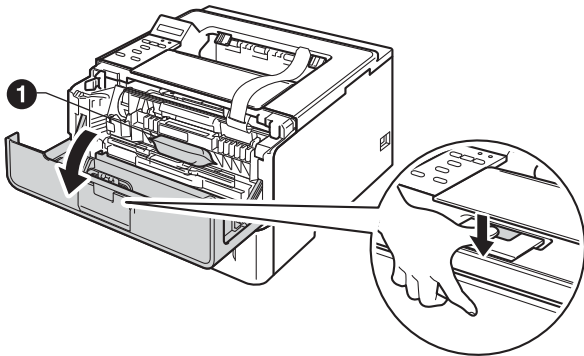
DO NOT connect the AC power cord yet.

**a** Remove the packing tape from the outside of the machine.

**b** Open the MP tray ①, and remove the packing tape ② from the MP tray support, then close the MP tray.



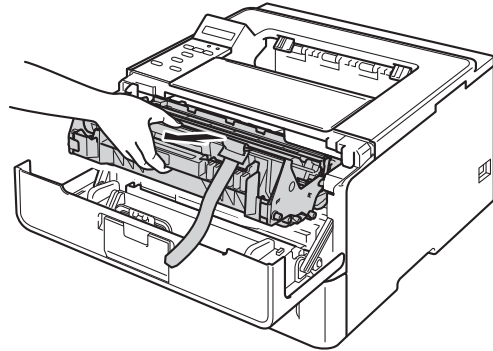
**c** Press the front cover release button and open the front cover. Remove the silica gel pack ①.



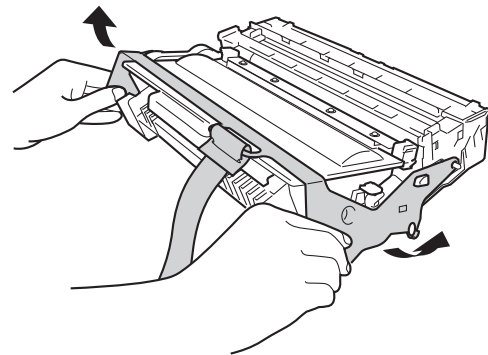
### CAUTION

DO NOT eat the silica gel pack. Please throw away. If ingested, seek medical attention immediately.

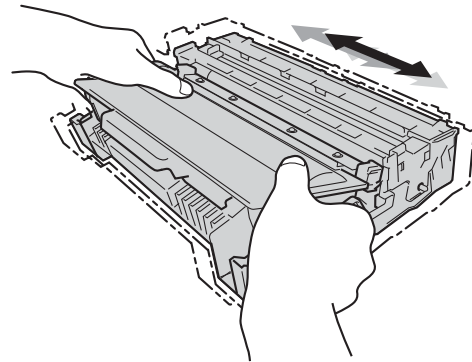
**d** Take out the drum unit and toner cartridge assembly.



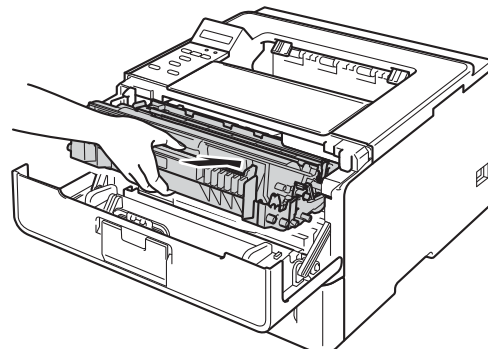
**e** Remove the orange protective material from the drum unit and toner cartridge assembly.



**f** Hold the drum unit and toner cartridge assembly level with both hands and gently shake it from side to side several times to distribute the toner evenly inside the cartridge.



**g** Put the drum unit and toner cartridge assembly firmly back in the machine.

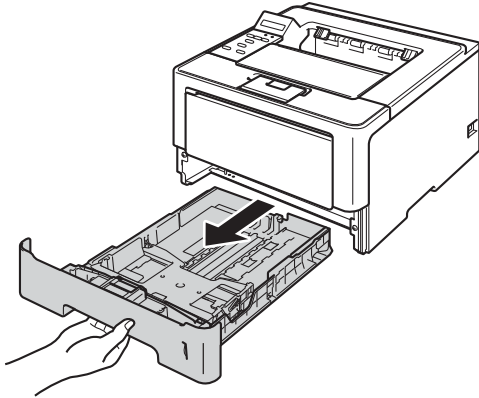


**h** Close the front cover of the machine.

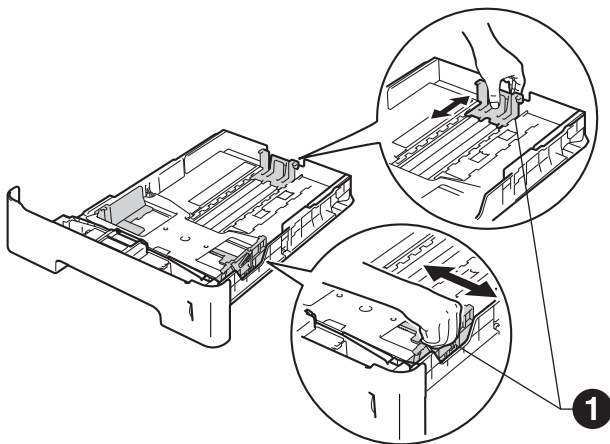
# 3

## Load paper in the paper tray

- a** Pull the paper tray completely out of the machine.



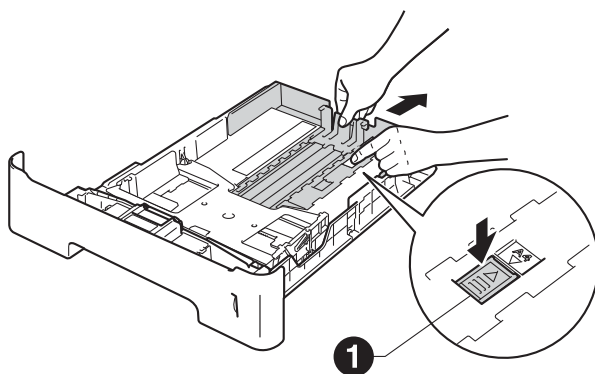
- b** While pressing the green paper-guide release lever ❶, slide the paper guides to fit the paper size you are loading in the tray. Make sure that the guides are firmly in the slots.



### Note

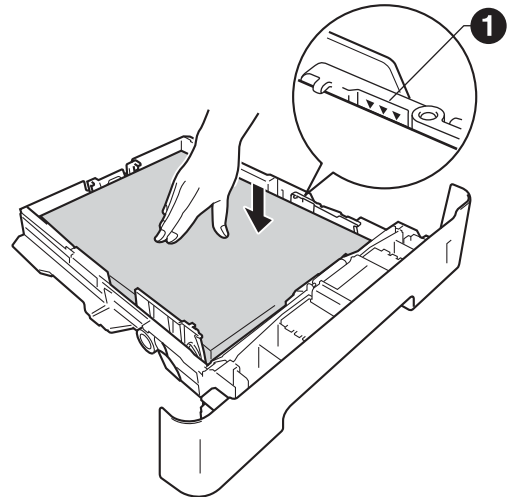
For Legal or Folio size paper, press the release button ❶ in the bottom of the paper tray and then pull out the back of the paper tray.

(Legal or Folio size paper are not available in some regions.)



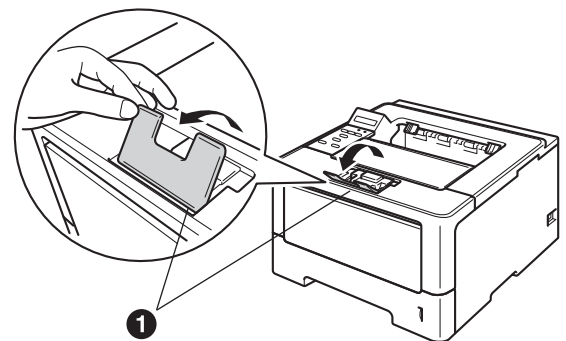
- c** Fan the stack of paper well to avoid paper jams and misfeeds.


- d** Put the paper in the tray and make sure:
- The paper is below the maximum paper mark (▼▼▼) ❶.
  - Over filling the paper tray will cause paper jams.
  - The side to be printed on is face down.
  - The paper guides touch the sides of the paper so it will feed properly.



- e** Put the paper tray firmly back in the machine. Make sure that it is completely inserted into the machine.

- f** Lift up the support flap ❶ to prevent paper from sliding off the face-down output tray.



-  For more information about recommended paper, see *Recommended paper and print media* in the *User's Guide*.

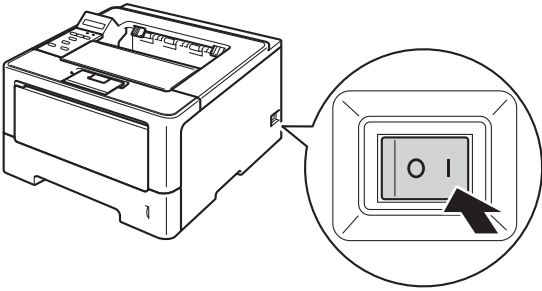
## 4 Turn on the machine

### ⓘ Important

DO NOT connect the interface cable yet.



- a** Connect the AC power cord to the machine and then connect it to an AC power outlet.
- b** Turn the machine's power switch on.



## 5 Wireless setup (if needed)

For wireless setup using a Macintosh computer or mobile device, go to **a**.

For Windows® users (all connections) and Macintosh users using the USB and wired network connections, go to **b**.

- a** If you are using a Macintosh computer or a mobile device on a wireless network, press ▲ to choose *Yes*.

Then go to step **9** on page 17 to continue the wireless setup.

After finishing the wireless setup you will need to return to step **6** to finish the machine setup.



### Note

If you want to change the language on your machine first, you can choose *No* and you will be able to configure the wireless settings later.

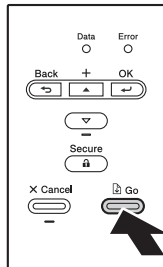
- b** If you are using a Windows® computer or want to connect your Macintosh using USB or wired network, press ▼ to choose *No*.

Then go to step **6**.

The wireless setup for Windows® users will be covered in later steps.

## 6 Print a test page

- a** Press **Go**. The machine will print a test page. Check that the test page has printed correctly.



### Note

This function will not be available after the first print job you send from your computer.

## 7 Set your language

- a** Press **▲** or **▼** to choose **General Setup**. Press **OK**.
- b** Press **OK** to choose **Local Language**.
- c** Press **▲** or **▼** to choose your language. Press **OK**.
- d** Press **Cancel**.

**Now go to**

**Next page to install the printer driver.**

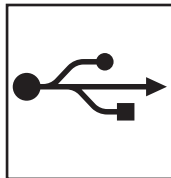
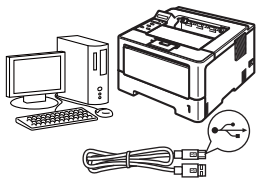
# 8

## Choose your connection type

These installation instructions are for Windows® XP Home/XP Professional/XP Professional x64 Edition, Windows Vista®, Windows® 7, Windows Server® 2003/2003 x64 Edition/2008/2008 R2 and Mac OS X (versions 10.5.8, 10.6.x and 10.7.x).

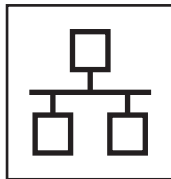
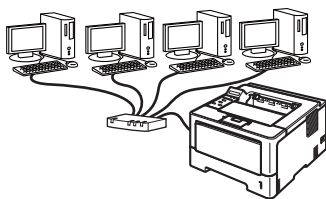
### Note

You can visit us at <http://solutions.brother.com/> where you can get product support, the latest driver updates and utilities, and answers to frequently asked questions (FAQs) and technical questions.



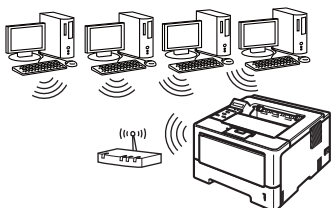
### For USB Interface Users

Windows®, go to page 8  
Macintosh, go to page 10



### For Wired Network

Windows®, go to page 11  
Macintosh, go to page 15



### For Wireless Network

Windows® and Macintosh,  
go to page 17

### Note

To connect your iOS or Android™ device or Windows® Phone to your Brother machine using Wi-Fi Direct™, please download the Wi-Fi Direct™ Guide at <http://solutions.brother.com/>.

USB	Windows®
	Macintosh
Wired Network	Windows®
	Macintosh
Wireless Network	Windows®
	Macintosh



## For USB Interface Cable Users for Windows®

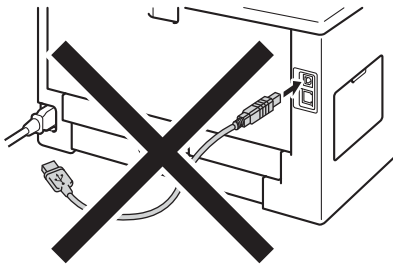
### 9 Before you install

**a** Make sure that your computer is ON and you are logged on with Administrator rights.

#### Important

- If there are any programs running, close them.
- The screens may differ depending on your operating system.

**b** Turn off the machine and make sure the USB interface cable is **NOT** connected to the machine. If you have already connected the cable, disconnect it.



### 10 Install the printer driver

**a** Put the installer CD-ROM into your CD-ROM drive. If prompted, select your model and language.

#### Note

If the Brother screen does not appear automatically, go to **My Computer (Computer)**, double-click the CD-ROM icon, and then double-click **start.exe**.

**b** Click **Install Printer Driver**, and click **Yes** if you accept the license agreement.



#### Note

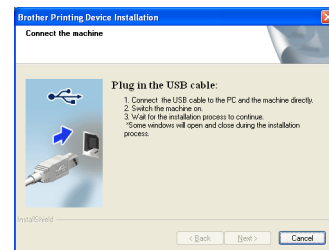
For Windows Vista® and Windows® 7 users, when the **User Account Control** screen appears, click **Allow** or **Yes**.


**c** Choose **Local Connection (USB)** and then click **Next**.

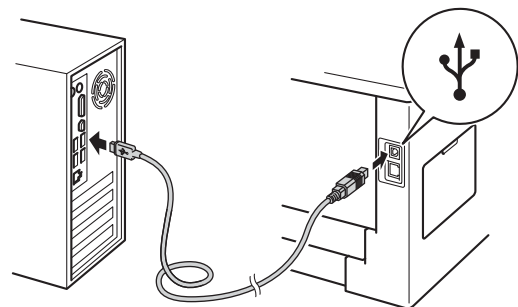
#### Note

If you want to install the PS driver (BR-Script3 printer driver), choose **Custom Install** and then follow the on-screen instructions.

**d** Follow the on-screen instructions until this screen appears.



**e** Connect the USB cable to the USB port marked with the  symbol on your machine, and then connect the cable to your computer.



**f** Turn the machine on.  
The installation will automatically start.





## ! Important

DO NOT cancel any of the screens during the installation. It may take a few seconds for all screens to appear.

**g** When the **On-Line Registration** screen appears, make your selection and follow the on-screen instructions. Once you have completed the registration process, click **Next**.

**h** When the **Setup Complete** screen appears, check the box of the action you want to perform, and then click **Finish**.

## Note

Depending on your security settings, a Windows® Security or antivirus software window may appear when using the machine or its software. Please allow or permit the window to continue.

# Finish

**The installation is now complete.**

## Note

### XML Paper Specification Printer Driver

The XML Paper Specification Printer Driver is the most suitable driver for Windows Vista® and Windows® 7 when printing from the applications that use the XML Paper Specification documents. Please download the latest driver by accessing the Brother Solutions Center at <http://solutions.brother.com/>.



## For USB Interface Cable Users for Macintosh

### 9 Before you install


- a** Make sure your machine is connected to the power and your Macintosh is ON. You must be logged on with Administrator rights.

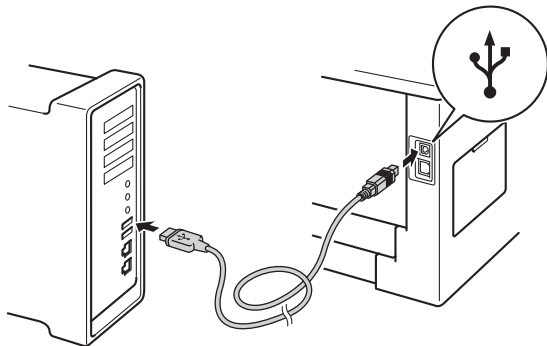
#### Important

For users of Mac OS X 10.5.7 or lower, upgrade to Mac OS X 10.5.8 - 10.7.x. (For the latest drivers and information for the Mac OS X you are using, visit <http://solutions.brother.com/>.)

#### Note

If you want to add the PS driver (BR-Script3 printer driver), please go to the Brother Solutions Center at <http://solutions.brother.com/> and visit FAQ's on your model page for instructions.

- b** Connect the USB cable to the USB port marked with the  symbol on your machine, and then connect the cable to your Macintosh.



- c** Make sure your machine's power switch is on.

### 10 Install the printer driver

- a** Put the installer CD-ROM into your CD-ROM drive.
- b** Double-click the **Start Here OSX** icon. If prompted, select your model.

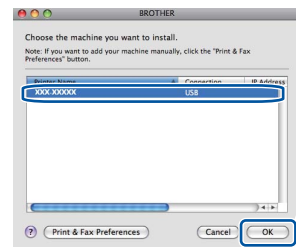


- c** Choose **Local Connection (USB)** and then click **Next**. Follow the on-screen instructions.

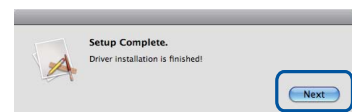
#### Note

It may take a few minutes for the installation to complete.

- d** Choose your machine from the list, and then click **OK**.



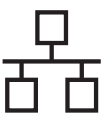
- e** When this screen appears, click **Next**.



#### Note

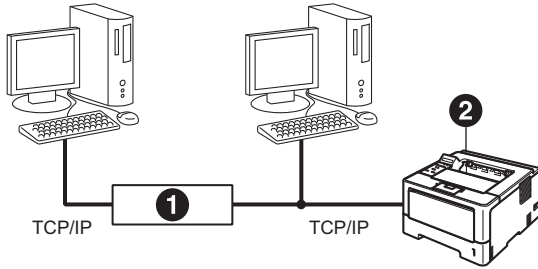
When the **Brother Support** screen appears, make your selection and follow the on-screen instructions.

**Finish** The installation is now complete.



## For Wired Network Interface Cable Users for Windows® (For Peer-to-Peer network users)

### 9 Before you install



- 1 Router
- 2 Machine


#### Note

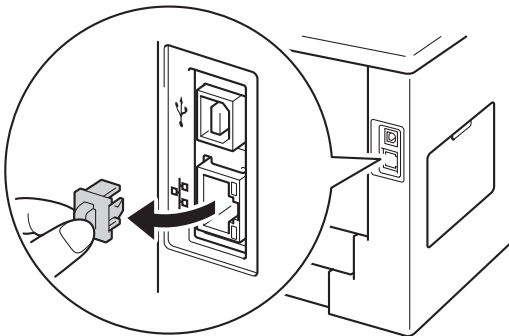
If you are going to connect the machine to your network, we recommend that you contact your system administrator prior to installation.

- a Make sure that your computer is ON and you are logged on with Administrator rights.

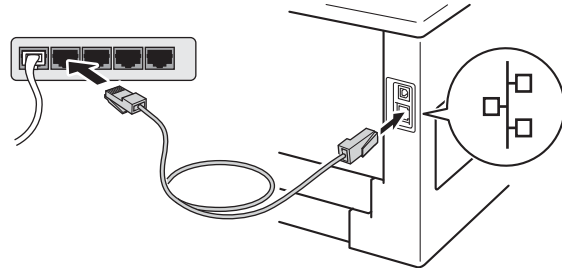
#### Important

- If there are any programs running, close them.
- The screens may differ depending on your operating system.

- b Remove the protective cap from the Ethernet port marked with a  symbol.



- c Connect the network interface cable to the Ethernet port, and then connect it to a free port on your hub.



- d Make sure your machine's power switch is on.

### 10 Install the printer driver

- a Put the installer CD-ROM into your CD-ROM drive. If prompted, select your model and language.

#### Note

If the Brother screen does not appear automatically, go to **My Computer (Computer)**, double-click the CD-ROM icon, and then double-click **start.exe**.

- b Click **Install Printer Driver**, and click **Yes** if you accept the license agreement.



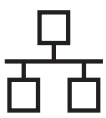
#### Note

For Windows Vista® and Windows® 7 users, when the **User Account Control** screen appears, click **Allow** or **Yes**.

- c Choose **Wired Network Connection (Ethernet)** and then click **Next**.

#### Note

If you want to install the PS driver (BR-Script3 printer driver), choose **Custom Install** and then follow the on-screen instructions.



- d** Choose **Brother Peer-to-Peer Network Printer** and then click **Next**.

 **Note**

Choose the option of the Firewall setting, and then click **Next**.

- e** The installation will automatically start.

 **Important**

DO NOT cancel any of the screens during the installation. It may take a few seconds for all screens to appear.

 **Note**

- If prompted, choose your machine from the list, and then click **Next**.
- If there is more than one of the same model connected on your network, the IP Address and Node Name will be displayed to help you identify the machine.
- You can find your machine's IP Address and the node name by printing out the Printer Settings Page. See *Print the Printer Settings Page* on page 31.

- f** When the **On-Line Registration** appears, make your selection and follow the on-screen instructions. Once you have completed the registration process, click **Next**.

- g** When the **Setup Complete** screen appears, check the box of the action you want to perform, and then click **Finish**.

 **Note**

Depending on your security settings, a Windows® Security or antivirus software window may appear when using the machine or its software. Please allow or permit the window to continue.

## Finish

**The installation is now complete.**

 **Note**

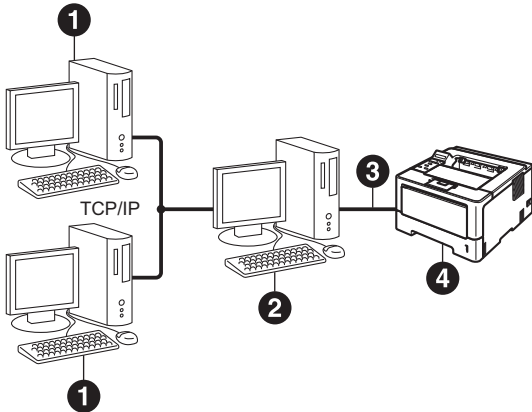
**XML Paper Specification Printer Driver**

The XML Paper Specification Printer Driver is the most suitable driver for Windows Vista® and Windows® 7 when printing from the applications that use the XML Paper Specification documents. Please download the latest driver by accessing the Brother Solutions Center at <http://solutions.brother.com/>.



## For Wired Network Interface Cable Users for Windows® (For shared network users)

### 9 Before you install



- 1 Client computer
- 2 Computer known as "Server" or "Print server"
- 3 TCP/IP or USB
- 4 Machine

**Note**  
If you are going to connect the machine to your network, we recommend that you contact your system administrator prior to installation.

**a** Make sure that your computer is ON and you are logged on with Administrator rights.

**! Important**  
• If there are any programs running, close them.  
• The screens may differ depending on your operating system.

**b** Make sure your machine's power switch is on.

### 10 Install the printer driver

**a** Put the installer CD-ROM into your CD-ROM drive. If prompted, select your model and language.

**Note**  
If the Brother screen does not appear automatically, go to **My Computer (Computer)**, double-click the CD-ROM icon, and then double-click **start.exe**.

**b** Click **Install Printer Driver**, and click **Yes** if you accept the license agreement.



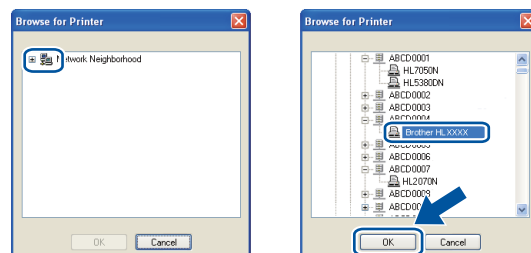
**Note**  
For Windows Vista® and Windows® 7 users, when the **User Account Control** screen appears, click **Allow** or **Yes**.

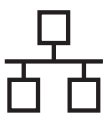
**c** Choose **Wired Network Connection (Ethernet)** and then click **Next**.

**Note**  
If you want to install the PS driver (BR-Script3 printer driver), choose **Custom Install** and then follow the on-screen instructions.

**d** Choose **Network Shared Printer** and then click **Next**.

**e** Choose your machine's queue, and then click **OK**.





## Note

Contact your administrator if you do not know the location or the name of the machine queue on the network.



The installation will automatically start.



## Important

DO NOT cancel any of the screens during the installation. It may take a few seconds for all screens to appear.



When the **On-Line Registration** screen appears, make your selection and follow the on-screen instructions. Once you have completed the registration process, click **Next**.



When the **Setup Complete** screen appears, check the box of the action you want to perform, and then click **Finish**.



## Note

Depending on your security settings, a Windows® Security or antivirus software window may appear when using the machine or its software. Please allow or permit the window to continue.

# Finish

**The installation is now complete.**



## Note

### XML Paper Specification Printer Driver

The XML Paper Specification Printer Driver is the most suitable driver for Windows Vista® and Windows® 7 when printing from the applications that use the XML Paper Specification documents. Please download the latest driver by accessing the Brother Solutions Center at <http://solutions.brother.com/>.



## For Wired Network Interface Cable Users for Macintosh

### 9 Before you install


- a** Make sure your machine is connected to the power and your Macintosh is ON. You must be logged on with Administrator rights.

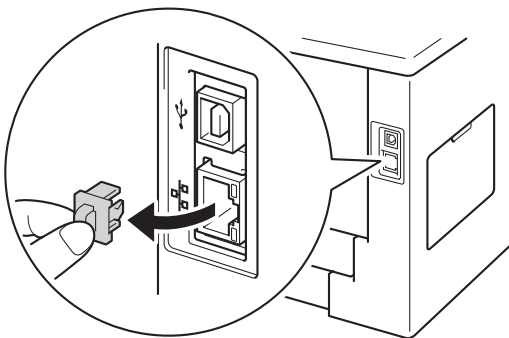
#### Important

For users of Mac OS X 10.5.7 or lower, upgrade to Mac OS X 10.5.8 - 10.7.x. (For the latest drivers and information for the Mac OS X you are using, visit <http://solutions.brother.com/>.)

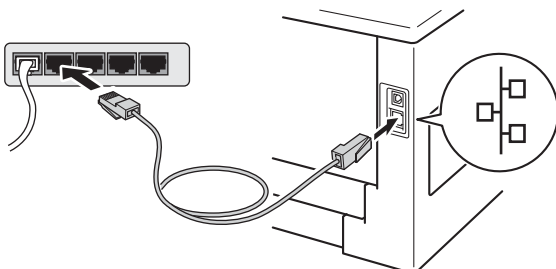
#### Note

If you want to add the PS driver (BR-Script3 printer driver), please go to the Brother Solutions Center at <http://solutions.brother.com/> and visit FAQ's on your model page for instructions.

- b** Remove the protective cap from the Ethernet port marked with a  symbol.



- c** Connect the network interface cable to the Ethernet port, and then connect it to a free port on your hub.



- d** Make sure your machine's power switch is on.

### 10 Install the printer driver

- a** Put the installer CD-ROM into your CD-ROM drive.
- b** Double-click the **Start Here OSX** icon. If prompted, select your model.

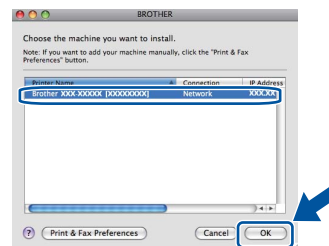


- c** Choose **Wired Network Connection (Ethernet)** and then click **Next**. Follow the on-screen instructions.

#### Note

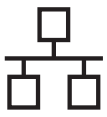
It may take a few minutes for the installation to complete.

- d** Choose your machine from the list, and then click **OK**.

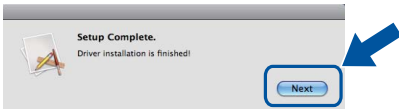


#### Note

- If there is more than one of the same model connected on your network, the MAC Address (Ethernet Address) will be displayed after the model name.
- You can find your machine's MAC Address (Ethernet Address) and IP Address by printing out the Printer Settings Page. See *Print the Printer Settings Page* on page 31.



**e** When this screen appears, click **Next**.



### Note

When the **Brother Support** screen appears, make your selection and follow the on-screen instructions.

**Finish**

The installation is now complete.





## For Wireless Network Interface Users

### 9 Before you begin

First you must configure the wireless network settings of your machine to communicate with your wireless access point/router. After the machine is configured to communicate with your wireless access point/router, computers and mobile devices on your network will have access to the machine. To use the machine from a computer, you will need to install the printer driver. The following steps will guide you through the configuration and installation process.

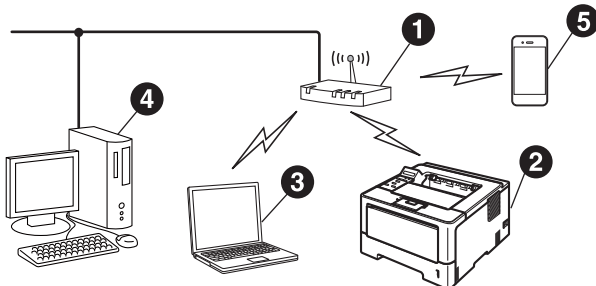
#### ⚠ Important

- If you are going to connect the machine to your network, we recommend that you contact your system administrator prior to installation. You must know your wireless network settings before you proceed with this installation.
- If you have previously configured the wireless settings of the machine, you must reset the network (LAN) settings before you can configure the wireless settings again.
  1. On your machine, press ▲ or ▼ to choose **Network**, and press **OK**.
  2. Press ▲ or ▼ to choose **Network Reset**, and press **OK**.
  3. When **Reboot OK?** appears, press ▲ to choose **Yes** for reboot.

#### 📝 Note

- To achieve optimum results with normal everyday document printing, place the Brother machine as close to the wireless access point/router as possible with minimal obstructions. Large objects and walls between the two devices as well as interference from other electronic devices can affect the data transfer speed of your documents.  
Due to these factors, wireless may not be the best method of connection for all types of documents and applications. If you are printing large files, such as multi-page documents with mixed text and large graphics, you may want to consider choosing wired Ethernet for a faster data transfer or USB for the fastest throughput speed.
- Although the Brother HL-5470DW(T) and HL-6180DW(T) can be used in both a wired and wireless network, only one of the connection methods can be used at a time.
- If you use your machine in an IEEE 802.1x supported wireless network, see *Using IEEE 802.1x authentication* in the *Network User's Guide*.

#### Infrastructure Mode



- 1 Wireless access point/router
- 2 Wireless Network machine (your machine)
- 3 Wireless capable computer connected to the wireless access point/router
- 4 Wired computer connected to the wireless access point/router
- 5 Mobile device connected to the wireless access point/router



## 10 Choose your wireless setup method

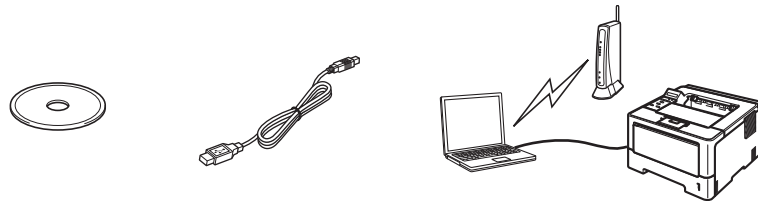
The following instructions will offer three methods for setting up your Brother machine on a wireless network. If you began the wireless setup from step **5** on page 5 (for Macintosh and mobile devices), go to method **b** (Setup Wizard). For all other users, choose the method you prefer for your environment.



### Note

To setup your machine in any other wireless environment, you can find instructions in the *Network User's Guide*.

### **a** Setup using the Installer CD-ROM and temporarily using a USB cable (Windows® only)



It is recommended that you use a PC wirelessly connected to your network for this method.

### Important

- You need to temporarily use a USB cable during configuration (cable not included).
- If you are using Windows® XP, or using a network cable to connect your computer with your wireless access point/router, you need to know the SSID and Network Key of your wireless access point/router before you proceed. Please write down your wireless network settings in the area below.
- Please do not contact Brother Customer Service for assistance without the wireless security information. We cannot assist you in locating your network security settings.

Item	Record the current wireless network settings
SSID (Network Name)	
Network Key (Security Key/Encryption Key)	

\* The Network Key may also be described as the Password, Security Key or Encryption Key.



### Note

- If you do not know this information (SSID and Network Key), you cannot continue the wireless setup.
- How can I find this information (SSID and Network Key)?
  1. You should see the documentation provided with your wireless access point/router.
  2. The initial network name could be the manufacturer's name or the model name.
  3. If you do not know the security information, please consult the router manufacturer, your system administrator, or internet provider.

Now go to

page 20



## **b** Manual setup from the control panel using the Setup Wizard (Macintosh, mobile devices and Windows®)

If your wireless access point/router does not support WPS (Wi-Fi Protected Setup™) or AOSS™, write down the wireless network settings of your wireless access point/router in the area below.

### **!** Important

Please do not contact Brother Customer Service for assistance without the wireless security information. We cannot assist you in locating your network security settings.

Item	Record the current wireless network settings
SSID (Network Name)	
Network Key (Security Key/Encryption Key)	

\* The Network Key may also be described as the Password, Security Key or Encryption Key.

### **Note**

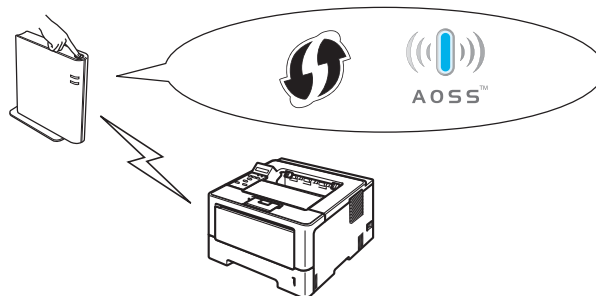
- If you do not know this information (SSID and Network Key), you cannot continue the wireless setup.
- How can I find this information (SSID and Network Key)?
  1. You should see the documentation provided with your wireless access point/router.
  2. The initial network name could be the manufacturer's name or the model name.
  3. If you do not know the security information, please consult the router manufacturer, your system administrator, or internet provider.

**Now go to**

**page 22**

## **c** One push setup using WPS or AOSS™ (Windows® and Macintosh)

If your wireless access point/router supports automatic wireless (one-push) setup (WPS or AOSS™)



**Now go to**

**page 24**



## Setup using the Installer CD-ROM and temporarily using a USB cable (Windows® only)

### 11 Setup the wireless settings

#### Important

- You need to temporarily use a USB cable during configuration (cable not included).
- If you are using Windows® XP, or using a network cable to connect your computer with your wireless access point/router, you need to know the SSID and Network Key of your wireless access point/router you wrote down in step **10-a** on page 18 before you proceed.

#### Note

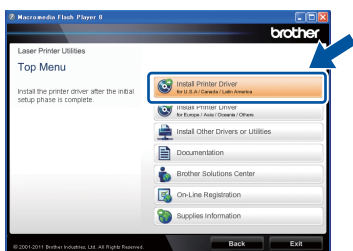
If you use your machine in an IEEE 802.1x supported wireless network, see *Using IEEE 802.1x authentication* in the *Network User's Guide*.

- a** Put the installer CD-ROM into your CD-ROM drive. If prompted, select your model and language.

#### Note

If the Brother screen does not appear automatically, go to **My Computer (Computer)**, double-click the CD-ROM icon, and then double-click **start.exe**.

- b** Click **Install Printer Driver** and then click **Yes** if you accept the license agreement.



#### Note

For Windows Vista® and Windows® 7 users, when the **User Account Control** screen appears, click **Allow** or **Yes**.

- c** Choose **Wireless Network Connection** and then click **Next**.

#### Note

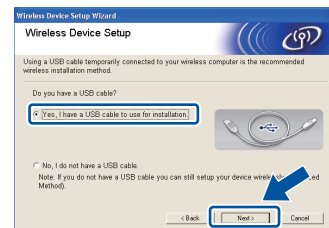
If you want to install the PS driver (BR-Script3 printer driver), choose **Custom Install** and then follow the on-screen instructions.

- d** Choose **Brother Peer-to-Peer Network Printer** or **Network Shared Printer**, and then click **Next**.

#### Note

- If you choose **Network Shared Printer**, choose your machine's queue, and then click **OK**.
- Choose the option of the Firewall setting, and then click **Next**.

- e** Choose **Yes, I have a USB cable to use for installation**, and then click **Next**.



#### Note

If the **Important Notice** screen appears, read the notice. Check the box after you confirm the SSID and Network Key, and then click **Next**.

- f** Temporarily connect the USB cable (not included) directly to the computer and the machine.

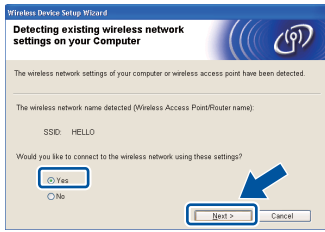


- g** Do one of the following:
- If the **Installation confirmation** screen appears, check the box and click **Next**, go to **h**.
  - Otherwise, go to **i**.

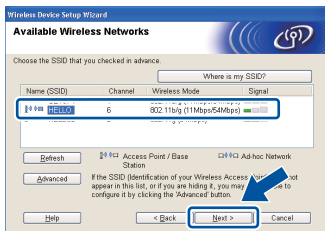


# For Wireless Network Users

**h** Check **Yes** if you want to connect with the listed SSID. Click **Next** and go to **k**.



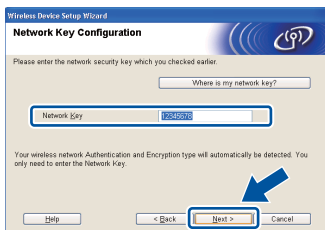
**i** The wizard will search for wireless networks available from your machine. Choose the SSID that you wrote down for your network in step **10-a** on page 18, and then click **Next**.



### Note

- If the list is blank, check that the wireless access point/router has power and is broadcasting the SSID, and then see if the machine and the wireless access point/router are within range for wireless communication. Then, click **Refresh**.
- If your wireless access point/router is set to not broadcast the SSID you can manually add it by clicking the **Advanced** button. Follow the on-screen instructions for entering the **Name (SSID)**, and then click **Next**.

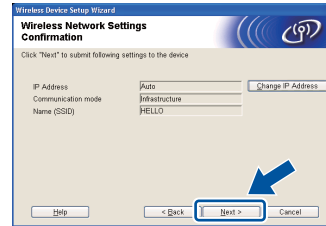
**j** Enter the **Network Key** you wrote down in step **10-a** on page 18, and then click **Next**.



### Note

If your network is not configured for Authentication and Encryption, the **ATTENTION!** screen will appear. To continue configuration, click **OK**.

**k** Confirm the wireless network settings and then click **Next**. The settings will be sent to your machine.



### Note

- The settings will remain unchanged if you click **Cancel**.
- If you want to manually enter the IP address settings of your machine, click **Change IP Address** and enter the necessary IP address settings for your network.
- If the wireless setup failure screen appears, click **Retry**.

Disconnect the USB cable between the computer and the machine and then click **Next**.



**Wireless setup is now complete. A four level indicator at the right of your machine's LCD will show the wireless signal strength of your wireless access point/router.**

To install the printer driver, continue to step **13-e** on page 28.

Now go to

page 28



## Manual setup from the control panel using the Setup Wizard (Macintosh, mobile devices and Windows®)

### 11 Setup the wireless settings

#### Important

You must have the wireless settings you wrote down for your network in step **10-b** on page 19 before you proceed.

#### Note

If you use your machine in an IEEE 802.1x supported wireless network, see *Using IEEE 802.1x authentication* in the *Network User's Guide*.

- a** If you began the wireless setup from step **5** on page 5 (for Macintosh and mobile devices), go to **c**.  
All other users, go to **b**.
- b** On your machine, press ▲ or ▼ to choose **Network** and press **OK**.  
Press ▲ or ▼ to choose **WLAN** and press **OK**.
- c** Press ▲ or ▼ to choose **Setup Wizard** and press **OK**.  
When **WLAN Enable?** is displayed, press ▲ to accept. This will start the wireless setup wizard.  
Otherwise press **Cancel** to exit from the wireless setup wizard.
- d** The machine will search for available SSIDs. It will take several seconds to display a list of available SSIDs.  
If a list of SSIDs is displayed, use the ▲ or ▼ key to choose the SSID you wrote down in step **10-b** on page 19, then press **OK**.
- e** Do one of the following:
- If the wireless access point/router of the selected SSID supports WPS and **WPS is available** appears, press ▲ and go to **f**.
  - If you are using an authentication and encryption method that requires a Network Key, go to **g**.
  - If your authentication method is Open System and your encryption mode is None, go to **h**.

#### Note

- If a list of SSIDs is not displayed, make sure your wireless access point/router is on. Move your machine closer to the wireless access point/router and try starting from **b** again.
- If your wireless access point/router is set to not broadcast the SSID you will have to manually add the SSID name. For details, see *Configuring your machine when the SSID is not broadcast* in the *Network User's Guide*.

- f** To connect your machine using the automatic wireless mode, press ▲ to choose **Yes**. (If you choose **No**, go to **g** to enter the Network Key.)  
When **Press WPS on rtr** appears, press the WPS button on your wireless access point/router, and then press ▲ twice. Go to **h**.
- g** Enter the Network Key you wrote down in step **10-b** on page 19.  
To enter a character or number, hold down or repeatedly press the ▲ or ▼ key until the character you want appears, and then press **OK**.  
To delete the characters you have entered, press the **Back** key.  
For more information, see *Entering Text for Wireless Settings* on page 27.  
Press **OK** when you have entered all the characters, then press ▲ for **Yes** to apply your settings.
- h** Your machine will now try to connect to your wireless network using the information you have entered.  
A connection result message appears on the LCD and a WLAN report will automatically be printed.  
If the connection failed, check the error code on the printed report and refer to *Troubleshooting* on page 25.



# For Wireless Network Users



Wireless setup is now complete. A four level indicator at the right of your machine's LCD will show the wireless signal strength of your wireless access point/router.

**For computer users, please install the printer driver.**

For Macintosh Users:

**Now go to**  
step **12** on page **30**

For Windows® Users:

**Now go to**  
step **12** on page **28**

**For mobile device users who began the setup from step 5 on page 5, go back to step 6 to continue the machine setting.**



## Note

For Mobile Device users, please go to the User's Guide for the application you are using (e.g. Brother iPrint&Scan or other applications) for additional details on how to use your machine with the application. To download the User's Guide for the application you are using, please go to the manuals download selection on your model's home page of the Brother Solutions Center at <http://solutions.brother.com/>.





## One push setup using WPS (Wi-Fi Protected Setup) or AOSS™ (Windows® and Macintosh)

### 11 Configure the wireless settings

- a** Confirm your wireless access point/router has the WPS or AOSS™ symbol as shown below.



- b** Place the Brother machine within range of your WPS or AOSS™ access point/router. The range may differ depending on your environment. Refer to the instructions provided with your wireless access point/router.

If you began the wireless setup from step 5 on page 5, go to **d**.

All other users, go to **c**.

- c** On your machine, press ▲ or ▼ to choose **Network** and press **OK**. Press ▲ or ▼ to choose **WLAN** and press **OK**.

- d** Press ▲ or ▼ to choose **WPS/AOSS** and press **OK**.  
When **WLAN Enable?** is displayed, press ▲ to accept. This will start the wireless setup wizard. Otherwise press **Cancel** to exit from the wireless setup wizard.

- e** When **Press Key on rtr** appears, press the WPS or AOSS™ button on your wireless access point/router. See the user's guide for your wireless access point/router for instructions. And then press ▲.



This feature will automatically detect which mode (WPS or AOSS™) your wireless access point/router uses to configure your machine.

#### Note

If your wireless access point/router supports WPS (PIN Method) and you want to configure your machine using the PIN (Personal Identification Number) Method, see *Configuration using the PIN Method of WPS (Wi-Fi Protected Setup)* in the *Network User's Guide*.

- f** A connection result message appears on the LCD and a WLAN report will automatically be printed.

If the connection failed, check the error code on the printed report and refer to *Troubleshooting* on page 25.

**OK!** **Wireless setup is now complete. A four level indicator at the right of your machine's LCD will show the wireless signal strength of your wireless access point/router.**

**To install the printer driver, continue to step 12.**

**For Windows® Users:**

**Now go to page 28**

**For Macintosh Users:**

**Now go to page 30**





## Troubleshooting

### Important

Please do not contact Brother Customer Service for assistance without the wireless security information. We cannot assist you in locating your network security settings.

### How can I find the wireless settings (Network Name (SSID) and Network Key)

1. You should see the documentation provided with your wireless access point/router.
2. The initial network name could be the manufacturer's name or the model name.
3. If you do not know the security information, please consult the router manufacturer, your system administrator or internet provider.

- \* The Network Key may also be described as the Password, Security Key or Encryption Key.
- \* If the wireless access point/router is set to not broadcast the SSID, the SSID will not automatically be detected. You will have to manually enter the SSID name. See *Configuring your machine when the SSID is not broadcast* in the *Network User's Guide*.

### WLAN report


If the WLAN report that printed shows that the connection failed, check the error code on the printed report and refer to the following instructions.

Error code	Recommended Solutions
TS-01	<p>The wireless setting is not activated, turn the wireless setting to ON.</p> <ul style="list-style-type: none"> <li>- If a LAN cable is connected to your machine, disconnect it and turn the wireless setting of your machine to ON.               <ol style="list-style-type: none"> <li>1. On your machine, press ▲ or ▼ to choose <i>Network</i> and press <b>OK</b>.</li> <li>2. Press ▲ or ▼ to choose <i>WLAN</i> and press <b>OK</b>.</li> <li>3. Press ▲ or ▼ to choose <i>Setup Wizard</i> and press <b>OK</b>.</li> <li>4. When <i>WLAN Enable?</i> is displayed, press ▲ to accept. This will start the wireless setup wizard.</li> </ol> </li> </ul>
TS-02	<p>The wireless access point/router cannot be detected.</p> <ol style="list-style-type: none"> <li>1. Check the following 4 points.           <ul style="list-style-type: none"> <li>- Make sure that the wireless access point/router is powered on.</li> <li>- Move your machine to an obstruction-free area, or closer to the wireless access point/router.</li> <li>- Temporarily place your machine within about one meter (3.3 feet) from the wireless access point/router when you are configuring the wireless settings.</li> <li>- If your wireless access point/router is using MAC address filtering, confirm the MAC address of the Brother machine is allowed in the filter. See <i>Print the Printer Settings Page</i> on page 31.</li> </ul> </li> <li>2. If you manually entered the SSID and security information (SSID/authentication method/encryption method/Network Key) the information may be incorrect. Reconfirm the SSID and security information and reenter the correct information as necessary. See <i>How can I find the wireless settings (Network Name (SSID) and Network Key)</i> on page 25 to confirm.</li> </ol>



Error code	Recommended Solutions												
TS-03	<p>The wireless network and security setting you entered may be incorrect. Reconfirm the wireless network settings.</p> <p>* Check if the entered or selected SSID/authentication method/encryption method/UserID/Userpass are correct.</p> <p>See <i>How can I find the wireless settings (Network Name (SSID) and Network Key)</i> on page 25 to confirm.</p>												
TS-04	<p>The Authentication/Encryption methods used by the selected wireless access point/router are not supported by your machine.</p> <p>For infrastructure mode, change the authentication and encryption methods of the wireless access point/router. Your machine supports the following authentication methods WPA™, WPA2™, OPEN and Shared key. WPA supports TKIP or AES encryption methods. WPA2 supports AES for the encryption method. OPEN and Shared key correspond to WEP encryption.</p> <p>If your problem is not solved the SSID or network settings you entered may be incorrect. Reconfirm the wireless network settings.</p> <p>Combined table of authentication and encryption methods</p> <table border="1" data-bbox="414 943 1173 1240"> <thead> <tr> <th>Authentication method</th> <th>Encryption method</th> </tr> </thead> <tbody> <tr> <td rowspan="2">WPA-Personal</td> <td>TKIP</td> </tr> <tr> <td>AES</td> </tr> <tr> <td>WPA2-Personal</td> <td>AES</td> </tr> <tr> <td rowspan="2">OPEN</td> <td>WEP</td> </tr> <tr> <td>NONE (without encryption)</td> </tr> <tr> <td>Shared key</td> <td>WEP</td> </tr> </tbody> </table> <p>See <i>How can I find the wireless settings (Network Name (SSID) and Network Key)</i> on page 25 to confirm.</p> <p>For ad-hoc mode, change the authentication and encryption methods of your computer for the wireless setting. Your machine supports OPEN authentication method only, with optional WEP encryption.</p>	Authentication method	Encryption method	WPA-Personal	TKIP	AES	WPA2-Personal	AES	OPEN	WEP	NONE (without encryption)	Shared key	WEP
Authentication method	Encryption method												
WPA-Personal	TKIP												
	AES												
WPA2-Personal	AES												
OPEN	WEP												
	NONE (without encryption)												
Shared key	WEP												
TS-05	<p>The security information (SSID/Network Key) is incorrect. Reconfirm the SSID and security information (Network Key). If your router uses WEP encryption, enter the key used as the first WEP key. Your Brother machine supports the use of the first WEP key only.</p> <p>See <i>How can I find the wireless settings (Network Name (SSID) and Network Key)</i> on page 25 to confirm.</p>												
TS-06	<p>The wireless security information (Authentication method/Encryption method/Network Key) is incorrect. Reconfirm the wireless security information (Authentication method/Encryption method/Network Key) in the table of TS-04. If your router uses WEP encryption, enter the key used as the first WEP key. Your Brother machine supports the use of the first WEP key only.</p> <p>See <i>How can I find the wireless settings (Network Name (SSID) and Network Key)</i> on page 25 to confirm.</p>												



Error code	Recommended Solutions
TS-07	<p>The machine cannot detect a wireless access point/router that has WPS or AOSS™ enabled.</p> <p>If you would like to configure your wireless settings using WPS or AOSS™, you must operate both your machine and the wireless access point/router. Confirm your wireless access point/router supports WPS or AOSS™ and try starting again.</p>  <p>If you do not know how to operate your wireless access point/router using WPS or AOSS™, see the documentation provided with your wireless access point/router, ask the manufacturer of your wireless access point/router or ask your network administrator.</p>
TS-08	<p>Two or more wireless access points/routers that have WPS or AOSS™ enabled are detected.</p> <ul style="list-style-type: none"> <li>- Confirm that only one wireless access point/router within range has the WPS or AOSS™ method active and try again.</li> <li>- Try starting again after a few minutes in order to avoid interference from other wireless access points/routers.</li> </ul>

## Entering Text for Wireless Settings

Hold down or repeatedly press the ▲ or ▼ key to select a character from the list below:

(space) !"#%&'()\*+,-./0123456789:;<=>?@

ABCDEFGHIJKLMNOPQRSTUVWXYZ[\]^\_`abcdefghijklmnopqrstuvwxyz{|}~

Press **OK** to confirm the current character and then enter the next character.

Press the **Back** key to delete the characters you have entered.



## Install the Printer Driver for Windows®

### 12 Before you install

**a** Make sure that your computer is ON and you are logged on with Administrator rights.

#### Important

- If there are any programs running, close them.
- The screens may differ depending on your operating system.

**b** Make sure the machine power switch is on.

### 13 Install the printer driver

**a** Put the installer CD-ROM into your CD-ROM drive. If prompted, select your model and language.

#### Note

If the Brother screen does not appear automatically, go to **My Computer (Computer)**, double-click the CD-ROM icon, and then double-click **start.exe**.

**b** Click **Install Printer Driver**, and click **Yes** if you accept the license agreement.



#### Note

For Windows Vista® and Windows® 7 users, when the **User Account Control** screen appears, click **Allow** or **Yes**.

**c** Choose **Wireless Network Connection** and then click **Next**.

#### Note

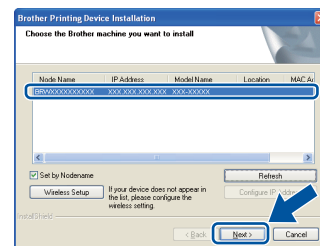
If you want to install the PS driver (BR-Script3 printer driver), choose **Custom Install** and then follow the on-screen instructions.

**d** Choose **Brother Peer-to-Peer Network Printer** or **Network Shared Printer**, and then click **Next**.

#### Note

- If you choose **Network Shared Printer**, choose your machine's queue, and then click **OK**.
- Choose the option of the Firewall setting, and then click **Next**.

**e** Choose the machine from the list, and then click **Next**.



#### Note

If you are using WEP and the LCD displayed 'Connected' but your machine is not found, make sure you entered the WEP key correctly. The WEP key is case sensitive.

**f** The installation will automatically start.

#### Important

**DO NOT** cancel any of the screens during the installation. It may take a few seconds for all screens to appear.

**g** When the **On-Line Registration** screen appears, make your selection and follow the on-screen instructions. Once you have completed the registration process, click **Next**.

**h** When the **Setup Complete** screen appears, check the box of the action you want to perform, and then click **Finish**.



 **Note**

Depending on your security settings, a Windows® Security or antivirus software window may appear when using the machine or its software. Please allow or permit the window to continue.

## Finish

**The installation is now complete.**

 **Note**

**XML Paper Specification Printer Driver**

The XML Paper Specification Printer Driver is the most suitable driver for Windows Vista® and Windows® 7 when printing from the applications that use the XML Paper Specification documents. Please download the latest driver by accessing the Brother Solutions Center at <http://solutions.brother.com/>.



## Install the Printer Driver for Macintosh

### 12 Before you install

- a** Make sure your machine is connected to the power and your Macintosh is ON. You must be logged on with Administrator rights.

#### Important

For users of Mac OS X 10.5.7 or lower, upgrade to Mac OS X 10.5.8 - 10.7.x. (For the latest drivers and information for the Mac OS X you are using, visit <http://solutions.brother.com/>.)

#### Note

If you want to add the PS driver (BR-Script3 printer driver), please go to the Brother Solutions Center at <http://solutions.brother.com/> and visit FAQ's on your model page for instructions.

### 13 Install the printer driver

- a** Put the installer CD-ROM into your CD-ROM drive.
- b** Double-click the **Start Here OSX** icon. If prompted, select your model.



- c** Choose **Wireless Network Connection** and then click **Next**.
- d** Follow the on-screen instructions.

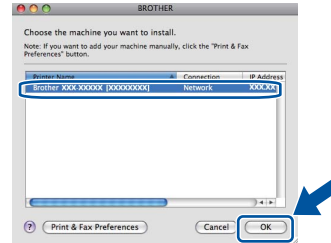
#### Important

DO NOT cancel any of the screens during the installation. It may take a few minutes for the installation to complete.

#### Note

If your wireless settings fail, the **Wireless Device Setup Wizard** screen appears. Follow the on-screen instructions to complete the wireless configuration.

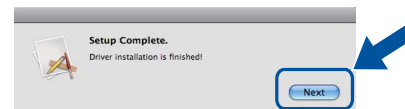
- e** Choose your machine from the list, and then click **OK**.



#### Note

- If there is more than one of the same model connected on your network, the MAC Address (Ethernet Address) will be displayed after the model name.
- You can find your machine's MAC Address (Ethernet Address) and IP Address by printing out the Printer Settings Page. See *Print the Printer Settings Page* on page 31.

- f** When this screen appears, click **Next**.



#### Note

When the **Brother Support** screen appears, make your selection and follow the on-screen instructions.

## Finish

The installation is now complete.

#### Note

If you began the wireless setup from step 5 on page 5, go back to step 6 to continue the machine setting.

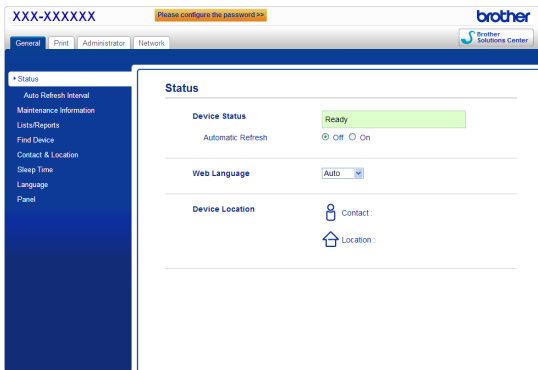
## Web Based Management (web browser)

The Brother print server is equipped with a web server that allows you to monitor its status or change some of its configuration settings, using HTTP (Hyper Text Transfer Protocol).

### Note

We recommend Windows® Internet Explorer® 7.0/8.0 or Firefox® 3.6 for Windows® and Safari 4.0/5.0 for Macintosh. Please also make sure that JavaScript and Cookies are always enabled in whichever browser you use. To use a web browser, you will need to know the IP Address of the print server. The IP Address of the print server is listed on the Printer Settings Page.

- a Open your browser.
- b Type "http://machine's IP address/" into your browser's address bar (where "machine's IP address" is the IP address of the Brother machine or the print server name).
  - For example: http://192.168.1.2/



### Note

If you have configured an optional login password, you must enter it when prompted to access the Web Based Management.

For more information, see *Web Based Management* in the *Network User's Guide*.

## Reset the network settings to the factory default

To reset all network settings of the print server to its factory default, follow the steps below.

- a Press ▲ or ▼ to choose `Network`. Press `OK`.
- b Press ▲ or ▼ to choose `Network Reset`. Press `OK`.
- c When `Reboot OK?` appears, press ▲ to choose `Yes` for reboot.  
The machine will re-start.

## Print the Printer Settings Page

The Printer Settings Page lists all the current printer settings, including network settings.

- a Press ▲ or ▼ to choose `Machine Info..` Press `OK`.
- b Press `OK` to choose `Print Settings`.  
The machine will print the current printer settings.

### Note

If the **IP Address** on the Printer Settings Page shows **0.0.0.0**, wait for one minute and try again.

## Brother CreativeCenter



Get inspired. If you're using Windows®, double-click the Brother CreativeCenter icon on your desktop to access our FREE web site with many ideas and resources for personal and professional use.



Mac users can access Brother CreativeCenter at this web address:


<http://www.brother.com/creativecenter/>

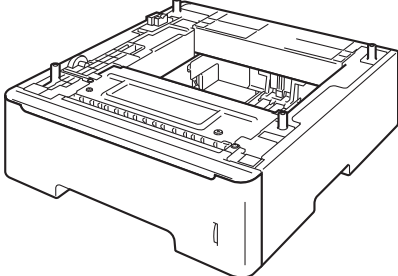
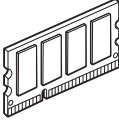


# Options and Consumables

## Options

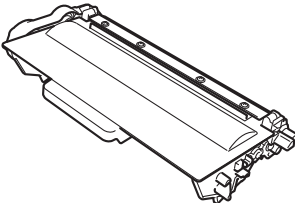
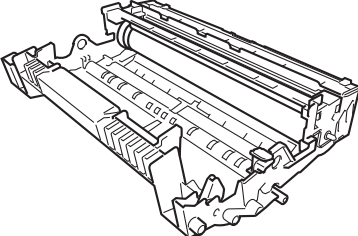
The machine has the following optional accessories. You can expand the capabilities of the machine by adding these items. For more information about the optional Lower Tray Unit and compatible SO-DIMM Memory, visit us at <http://solutions.brother.com/>.

 For installing the SO-DIMM Memory, see *Installing extra memory* in the *User's Guide*.

Lower Tray Unit for HL-5470DW and HL-6180DW	SO-DIMM Memory
<p data-bbox="360 510 464 539">LT-5400</p> <p data-bbox="98 555 719 680">The lower paper tray unit can hold up to 500 sheets of paper. When the tray is installed, the machine expands total input capacity up to 800 sheets for the HL-5470DW, 1,050 sheets for the HL-6180DW.</p> 	<p data-bbox="743 510 1302 607">You can increase the memory by installing one SO-DIMM (Small Outline Dual In-line Memory Module).</p> 

## Consumables

When the time comes to replace consumable items, an error will be indicated by the LCD on the control panel. For more information about the consumables for your machine, visit us at <http://www.brother.com/original/> or contact your local Brother reseller.

Toner cartridge	Drum unit
	

 For replacing the consumable items, see *Replacing consumable items* in the *User's Guide*.

## **Trademarks**

The Brother logo is a registered trademark of Brother Industries, Ltd.

Brother is a registered trademark of Brother Industries, Ltd.

Microsoft, Windows, Windows Server and Internet Explorer are either registered trademarks of Microsoft Corporation in the United States and/or other countries.

Windows Vista is either a registered trademark or trademark of Microsoft Corporation in the United States and/or other countries.

Apple, Macintosh, Safari and Mac OS are trademarks of Apple Inc., registered in the U.S. and other countries.

Wi-Fi Direct, Wi-Fi Protected Setup, WPA and WPA2 are marks of the Wi-Fi Alliance.

AOSS is a trademark of Buffalo Inc.

Android is a trademark of Google Inc.

Each company whose software title is mentioned in this manual has a Software License Agreement specific to its proprietary programs.

**Any trade names and product names of companies appearing on Brother products, related documents and any other materials are all trademarks or registered trademarks of those respective companies.**

## **Compilation and Publication**

Under the supervision of Brother Industries, Ltd., this manual has been compiled and published, covering the latest product descriptions and specifications.

The contents of this manual and the specifications of this product are subject to change without notice.

Brother reserves the right to make changes without notice in the specifications and materials contained herein and shall not be responsible for any damages (including consequential) caused by reliance on the materials presented, including but not limited to typographical and other errors relating to the publication.

## **Copyright and License**

©2012 Brother Industries, Ltd. All rights reserved.

This product includes software developed by the following vendors:

©1983-1998 PACIFIC SOFTWARES, INC. ALL RIGHTS RESERVED.

©2008 Devicescape Software, Inc. All rights reserved.

This product includes the "KASAGO TCP/IP" software developed by ZUKEN ELMIC, Inc.

## Free Manuals Download Website

<http://myh66.com>

<http://usermanuals.us>

<http://www.somanuals.com>

<http://www.4manuals.cc>

<http://www.manual-lib.com>

<http://www.404manual.com>

<http://www.luxmanual.com>

<http://aubethermostatmanual.com>

Golf course search by state

<http://golfingnear.com>

Email search by domain

<http://emailbydomain.com>

Auto manuals search

<http://auto.somanuals.com>

TV manuals search

<http://tv.somanuals.com>