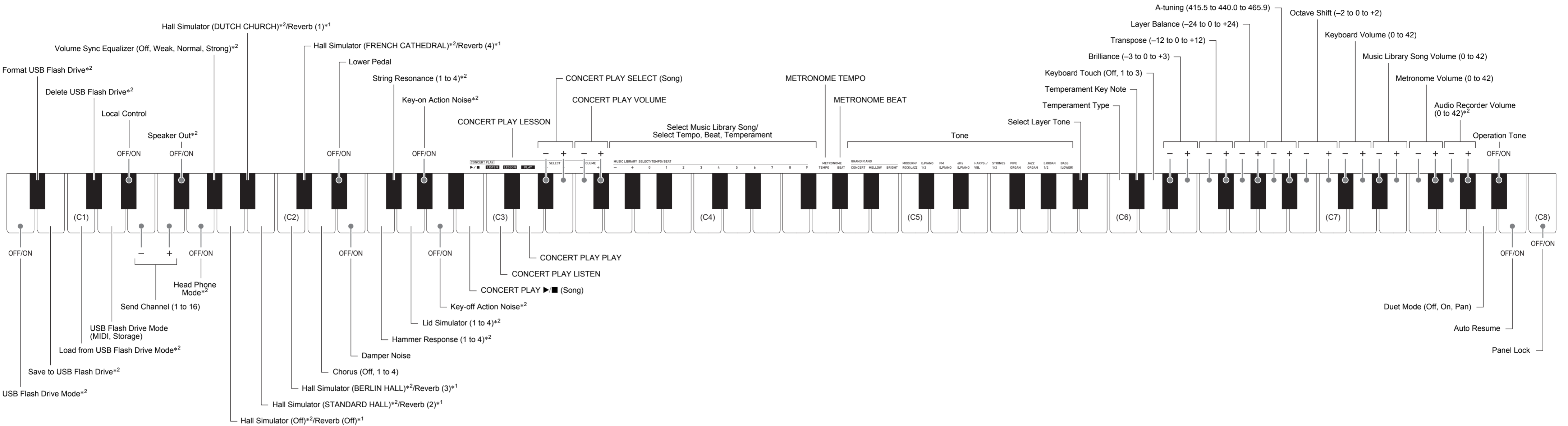




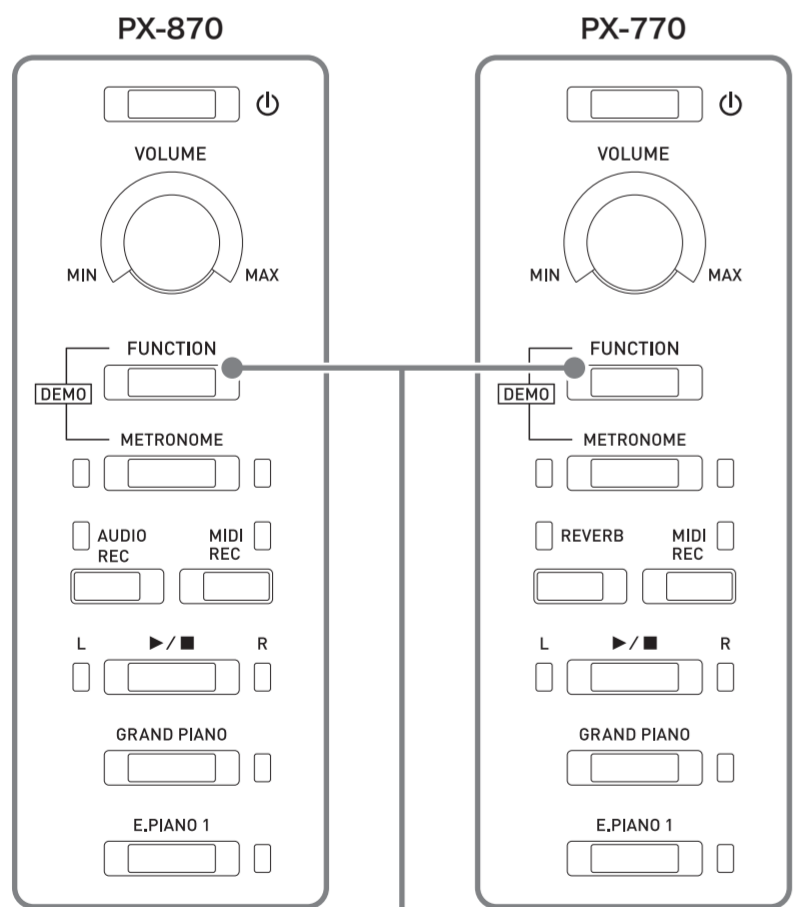


Keyboard Keys Used for Configuring Settings

\*1: PX-770  
\*2: PX-870



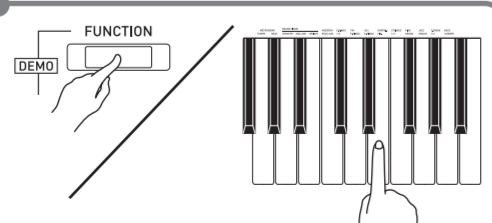
Piano Buttons



Using the FUNCTION Button

The **FUNCTION** button is used in combination with other buttons and keys. To change a setting, hold down the **FUNCTION** button as you press the button or key that is assigned the setting you want to configure.

- When you press a key, the Digital Piano beeps to indicate the current setting.
- A long beep indicates that a setting is turned off.



Tone List

Tone Name	Program Change	Bank Select MSB
GRAND PIANO CONCERT	0	0
GRAND PIANO MELLOW	1	0
GRAND PIANO BRIGHT	2	0
MODERN PIANO	3	0
ROCK PIANO	4	0
JAZZ PIANO	5	0
ELEC.PIANO 1	6	0
ELEC.PIANO 2	7	0
FM E.PIANO	8	0
60'S E.PIANO	9	0
HARPSICHORD	10	0
VIBRAPHONE	11	0
STRINGS 1	12	0
STRINGS 2	13	0
PIPE ORGAN	14	0
JAZZ ORGAN	15	0
ELEC.ORGAN 1	16	0
ELEC.ORGAN 2	17	0
BASS(LOWER)	18	0

Music Library List

Song No.	Song Name
1	Nocturne Op.9-2
2	Fantaisie-Improptu Op.66
3	Étude Op.10-3 "Chanson de l'adieu"
4	Étude Op.10-5 "Black Keys"
5	Étude Op.10-12 "Revolutionary"
6	Étude Op.25-9 "Butterflies"
7	Prélude Op.28-7
8	Valse Op.64-1 "Petit Chien"
9	Valse Op.64-2
10	Moments Musicaux 3
11	Improptu Op.90-2
12	Marche Militaire 1 (Duet)
13	Frühlingslied [Lieder Ohne Worte Heft 5]
14	Fröhlicher Landmann [Album für die Jugend]
15	Von fremden Ländern und Menschen [Kinderszenen]
16	Träumerei [Kinderszenen]
17	Tambourin
18	Menuet BWV Anh.114 [Clavierbüchlein der Anna Magdalena Bach]
19	Inventio 1 BWV 772
20	Inventio 8 BWV 779
21	Inventio 13 BWV 784
22	Praeludium 1 BWV 846 [Das Wohltemperierte Klavier 1]
23	Le Coucou

Song No. Song Name

24	Gavotte
25	Sonatina Op.36-1 1st Mov.
26	Sonatine Op.20-1 1st Mov.
27	Sonate K.545 1st Mov.
28	Sonate K.331 3rd Mov. "Turkish March"
29	Rondo K.485
30	Für Elise
31	Marcia alla Turca
32	Sonate Op.13 "Pathétique" 1st Mov.
33	Sonate Op.13 "Pathétique" 2nd Mov.
34	Sonate Op.13 "Pathétique" 3rd Mov.
35	Sonate Op.27-2 "Moonlight" 1st Mov.
36	Rhapsodie 2
37	Waltz Op.39-15 (Duet)
38	Liebesträume 3
39	Blumenlied
40	La Prière d'une Vierge
41	Csikos Post
42	Humoresque Op.101-7
43	Melodie [Lyrische Stücke Heft 2]
44	Sicilienne Op.78
45	Berceuse [Dolly] (Duet)
46	Arabesque 1
47	La Fille aux Cheveux de Lin [Préludes]
48	Passépié [Suite bergamasque]
49	Gymnopédie 1
50	Je Te Veux
51	Salut d'Amour
52	The Entertainer
53	Maple Leaf Rag
54	L'arabesque [25 Études Op.100]
55	La Styrienne [25 Études Op.100]
56	Ave Maria [25 Études Op.100]
57	Le retour [25 Études Op.100]
58	La chevaleresque [25 Études Op.100]
59	No.13 [Études de Mécanisme Op.849]
60	No.26 [Études de Mécanisme Op.849]

Concert Play List

Song No.	Song Name
1	Je Te Veux
2	Vltava (Má vlast)
3	Canon
4	Tableaux d'Une Exposition "Promenade"
5	Piano Concerto No.20 K.466 2nd Mov.
6	Polovetzian Dance (Prince Igor)
7	Sonate K.331 1st Mov.
8	Violin Concerto 1st Mov.
9	Jesus, Bleibet Meine Freude
10	Melody In F

Operating Precautions

Be sure to read and observe the following operating precautions.

Location

Avoid the following locations for this product.

- Areas exposed to direct sunlight and high humidity
- Areas subjected to temperature extremes
- Near a radio, TV, video deck, or tuner

The above devices will not cause malfunction of the product, but the product can cause interference in the audio or video of a nearby device.

User Maintenance

- Never use benzine, alcohol, thinner, or other chemical agents to clean the product.
- To clean the product or its keyboard, wipe with a soft cloth moistened in a weak solution of water and a mild neutral detergent. Wring all excess moisture from the cloth before wiping.

Included and Optional Accessories

Use only accessories that are specified for use with this product. Use of unauthorized accessories creates the risk of fire, electric shock, and personal injury.

Digital Piano Finish

The finish of the Digital Piano has been designed to faithfully reproduce the appearance of natural wood, including cuts and other marks in the wood. Though knots, saw blade marks, and/or other marks may be visible on the finish, they are not actual cracks or scratches. Such marks will not cause any problems with the use of your Digital Piano.

Weld Lines

Lines may be visible on the exterior of the product. These are "weld lines" that result from the plastic molding process. They are not cracks or scratches.

Musical Instrument Etiquette

Always be aware of others around you whenever using this product. Be especially careful when playing late at night to keep the volume at levels that do not disturb others. Other steps you can take when playing late at night are closing the window and using headphones.

AC Adaptor Handling Precautions

- Use a power outlet that is easily accessible so you can unplug the AC adaptor when a malfunction occurs or whenever else you need to do so.
- The AC adaptor is intended for indoor use only. Do not use it where it might be exposed to splashing or moisture. Do not place any container, such as a flower vase, that contains liquid on the AC adaptor.
- Store the AC adaptor in a dry place.
- Use the AC adaptor in an open, well-ventilated area.
- Never cover the AC adaptor with newspaper, a table cloth, a curtain, or any other similar item.
- Unplug the AC adaptor from the power outlet if you do not plan to use the Digital Piano for a long time.
- Never try to repair the AC adaptor or modify it in any way.
- AC adaptor operating environment  
Temperature: 0 to 40°C  
Humidity: 10% to 90% RH
- Output polarity:

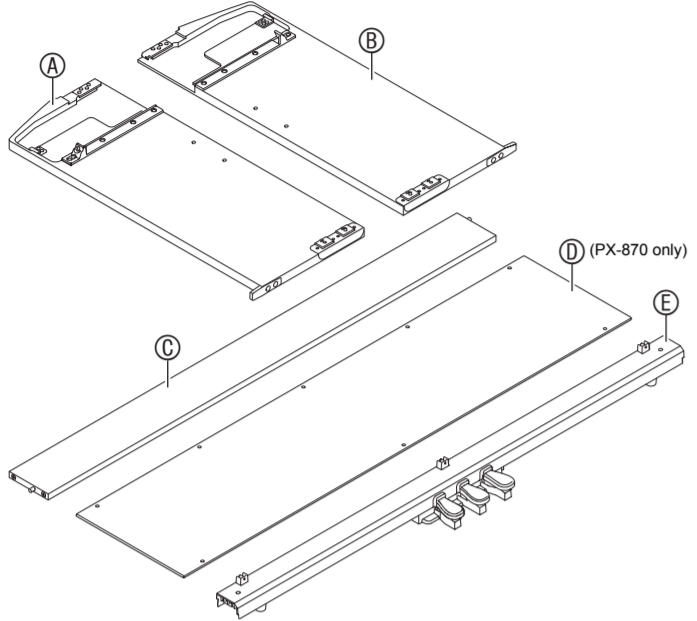
About Music Score data

You can use a computer to download music score data from the CASIO Website. For more information, visit the URL below.  
<http://world.casio.com/>

**Assembling the Stand**

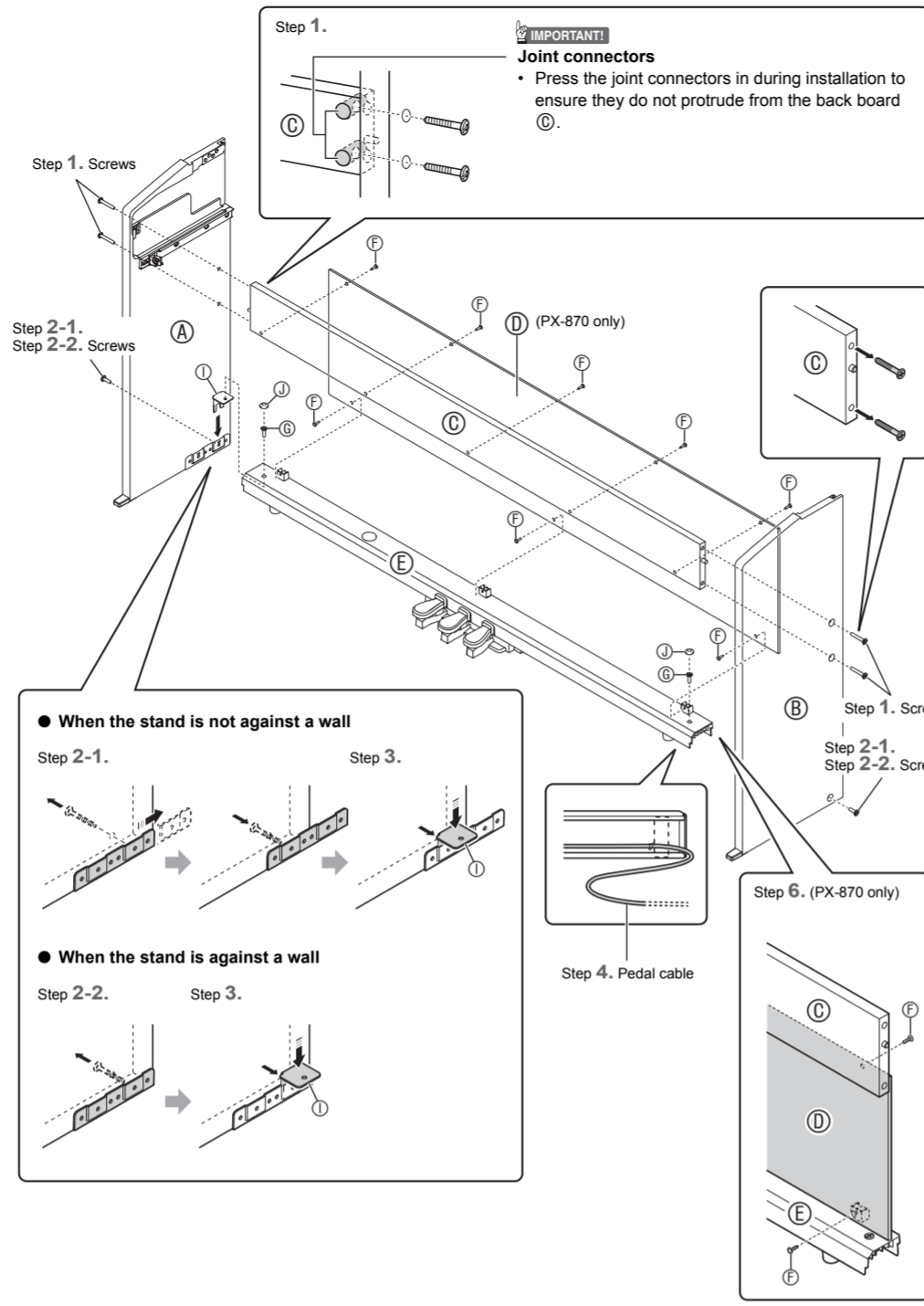
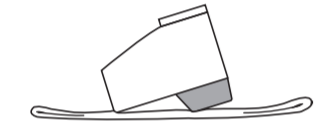
- Before starting assembly, check to make sure that you have all the parts shown below.
- This stand does not include any of the tools required for assembly. It is up to you to prepare a large Phillips head (+) screwdriver for assembly.

- IMPORTANT!**
- Do not remove the tape securing the keyboard cover in place until assembly is complete. Removing the tape can cause the keyboard cover to open and close during assembly, creating the risk of personal injury to your hands and fingers.
  - Do not use any screws other than those that come with the stand. Doing so risks damage to the stand and/or Digital Piano.
  - You can find the screws in a plastic bag inside the packing material.
  - If screws are missing or damaged, contact your local CASIO service provider.

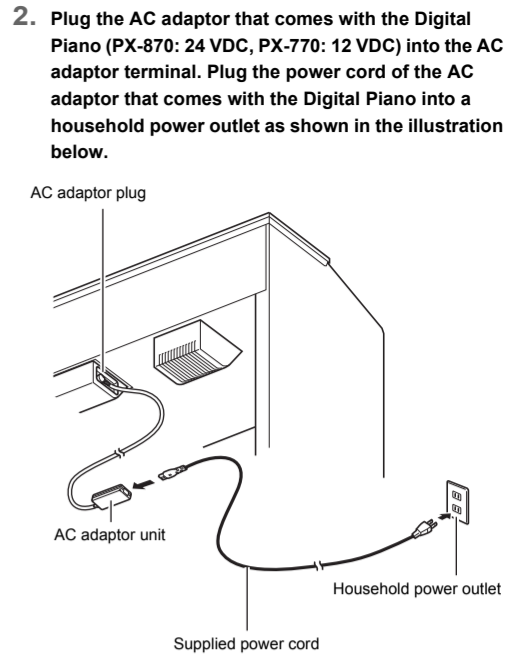
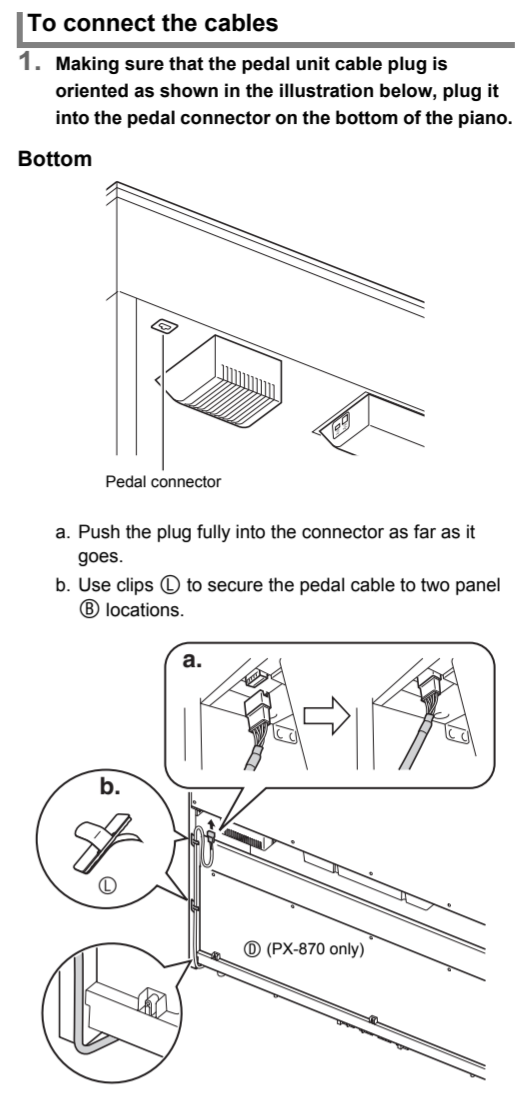
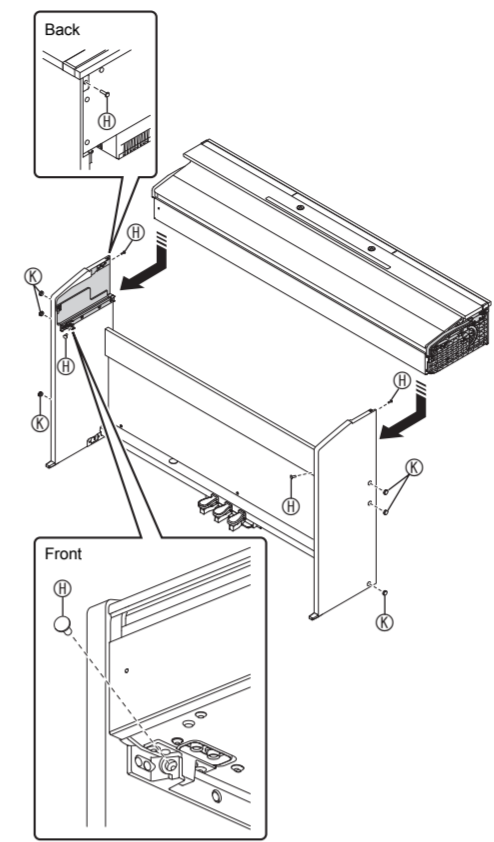


Part	Quantity
F	8 (PX-870)
G	2
H	4
I	2
J	2
K	6
L	2

- Caution!**
- To assemble the stand, at least two persons should work together on a flat surface.
  - Take care that you do not pinch your fingers between parts when assembling them.
  - Spread felt or some other type of cloth under the bench to avoid direct contact between the rubber at the tips of the legs and the floor surface. Direct contact between the rubber and flooring can cause discoloration, marring, or other damage to the flooring.
  - When placing the Digital Piano on the floor, be sure to place it on something soft (a blanket, cushion, etc.). Do not place the Digital Piano directly onto the floor.

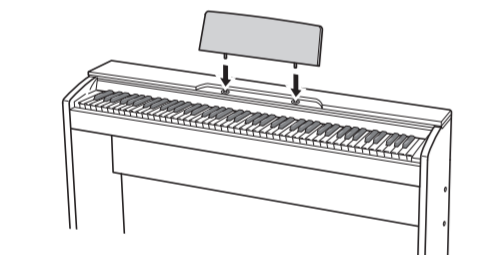


1. Remove the four screws (two on each end) from the back board (C), and use them to secure side panels (A) and (B) to the back board (C).
  - Attach the side panels so the side of the back board (C) where you inserted the joint connectors is facing towards the back of the stand.
  - If you have trouble inserting a screw into a joint connector screw hole, use a screwdriver to adjust the joint connector by rotating it.
2. If you plan to locate the piano and stand where it is not against a wall, you need to extend the anti-tip brackets at the base of side panels (A) and (B). Remove the four screws (two on the inside of each panel) that secure the brackets in place and then slide the brackets out as shown in the illustration. After extending the anti-tip brackets, replace the screws you removed. Do not fully tighten the screws yet.
  - 2-1. If you plan to locate the stand against a wall, loosen the four screws at the base of side panels (A) and (B) (two on the inside of each panel) that keep the anti-tipping brackets from sliding.
    - In this case, do not remove the screws. Just loosen them.
  - 2-2. If you plan to locate the stand against a wall, loosen the four screws at the base of side panels (A) and (B) (two on the inside of each panel) that keep the anti-tipping brackets from sliding.
3. Insert (I) brackets into the space between each of the anti-tipping brackets and side panels (A) and (B), then temporarily tighten the screws you partially tightened in step 2-1 or loosened in step 2-2.
4. Place the two ends of the pedal unit (E) onto the (I) brackets and secure them with (J) screws. Finish with (K) screw caps.
  - Run the pedal cable out from the pedal unit (E).
5. While pressing the pedal unit down towards the floor, securely tighten the screws you partially tightened in step 3.
6. Attach the back panel (D) to the back board (C) and pedal unit (E) using (F) screws.
  - Place the back panel (D) onto pedal unit (E) so it is in front of the three screw lugs of the pedal unit.



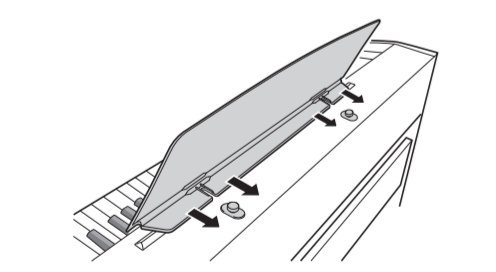
**Attaching the Music Stand**

- PX-870
1. Insert the tabs on the bottom of the music stand into the two holes on the top of the piano.



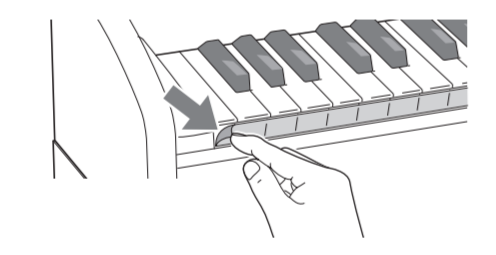
PX-770

1. Slide the music stand under the two bolts on the top of the piano and then tighten the bolts.

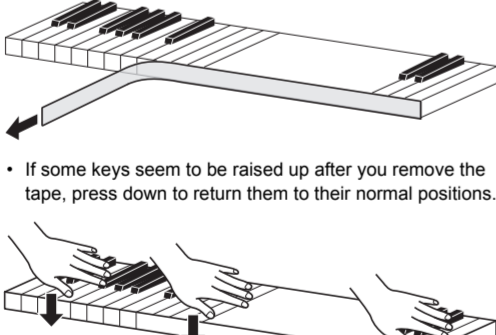


**Removing the Protective Tape from the Keyboard**

Protective tape is affixed to the front edges of the keyboard keys to protect them during shipment. Remove the protective tape before using the Digital Piano.



- Peel off the tape by pulling carefully towards you as shown in the illustration.



- If some keys seem to be raised up after you remove the tape, press down to return them to their normal positions.

TO REDUCE THE RISK OF FIRE OR ELECTRIC SHOCK, REFER SERVICING TO QUALIFIED SERVICE PERSONNEL.

**IMPORTANT SAFETY INSTRUCTIONS**

1. Read these instructions.
  2. Keep these instructions.
  3. Heed all warnings.
  4. Follow all instructions.
  5. Do not use this apparatus near water.
  6. Clean only with dry cloth.
  7. Do not block any ventilation openings. Install in accordance with the manufacturer's instructions.
  8. Do not install near any heat sources such as radiators, heat registers, stoves, or other apparatus (including amplifiers) that produce heat.
  9. Do not defeat the safety purpose of the polarized or grounding-type plug. A polarized plug has two blades with one wider than the other. A grounding type plug has two blades and a third grounding prong. The wide blade or the third prong are provided for your safety. If the provided plug does not fit into your outlet, consult an electrician for replacement of the obsolete outlet.
  10. Protect the power cord from being walked on or pinched particularly at plugs, convenience receptacles, and the point where they exit from the apparatus.
  11. Only use attachments/accessories specified by the manufacturer.
  12. Use only with the cart, stand, tripod, bracket, or table specified by the manufacturer, or sold with the apparatus. When a cart is used, use caution when moving the cart/apparatus combination to avoid injury from tip-over.
- 
13. Unplug this apparatus during lightning storms or when unused for long periods of time.
  14. Refer all servicing to qualified service personnel. Servicing is required when the apparatus has been damaged in any way, such as power-supply cord or plug is damaged, liquid has been spilled or objects have fallen into the apparatus, the apparatus has been exposed to rain or moisture, does not operate normally, or has been dropped.
- The apparatus shall not be exposed to dripping or splashing and that no objects filled with liquids, such as vases, shall be placed on the apparatus.

The power indicator being unlit does not mean the apparatus is completely disconnected from the MAINS. When you need to have the apparatus completely disconnected from the MAINS, you must unplug the power cord. For that purpose, locate the apparatus in a way that secures easy access to the power cord.

**NOTICE**

This equipment has been tested and found to comply with the limits for a Class B digital device, pursuant to Part 15 of the FCC Rules. These limits are designed to provide reasonable protection against harmful interference in a residential installation. This equipment generates, uses and can radiate radio frequency energy and, if not installed and used in accordance with the instructions, may cause harmful interference to radio communications. However, there is no guarantee that interference will not occur in a particular installation. If this equipment does cause harmful interference to radio or television reception, which can be determined by turning the equipment off and on, the user is encouraged to try to correct the interference by one or more of the following measures:

- Reorient or relocate the receiving antenna.
- Increase the separation between the equipment and receiver.
- Connect the equipment into an outlet on a circuit different from that to which the receiver is connected.
- Consult the dealer or an experienced radio/TV technician for help.

**FCC CAUTION**  
Changes or modifications not expressly approved by the party responsible for compliance could void the user's authority to operate the equipment.

**Declaration of Conformity**

Model Number: PX-870/PX-770  
Trade Name: CASIO COMPUTER CO., LTD.  
Responsible party: CASIO AMERICA, INC.  
Address: 570 MT. PLEASANT AVENUE, DOVER, NEW JERSEY 07801  
Telephone number: 973-361-5400  
This device complies with Part 15 of the FCC Rules. Operation is subject to the following two conditions:  
(1) This device may not cause harmful interference, and (2) this device must accept any interference received, including interference that may cause undesired operation.

**Important!**

- Please note the following important information before using this product.
- Before using the AD-E24250LW/AD-A12150LW Adaptor to power the unit, be sure to check the AC Adaptor for any damage first. Carefully check the power cord for breakage, cuts, exposed wire and other serious damage. Never let children use an AC adaptor that is seriously damaged.
  - The product is not intended for children under 3 years.
  - Use only CASIO AD-E24250LW/AD-A12150LW adaptor.
  - The AC adaptor is not a toy.
  - Be sure to disconnect the AC adaptor before cleaning the product.

Declaration of Conformity According to EU Directive

Manufacturer:  
CASIO COMPUTER CO., LTD.  
6-2, Hon-machi 1-chome, Shibuya-ku, Tokyo 151-8543, Japan

Responsible within the European Union:  
Casio Europe GmbH  
Casio-Platz 1, 22848 Norderstedt, Germany  
www.casio-europe.com

Company and product names used in this manual may be registered trademarks of others.

This recycle mark indicates that the packaging conforms to the environmental protection legislation in Germany.

**About the AC adaptor that comes with the Digital Piano**

- Note the following important precautions to avoid damage to the AC adaptor and power cord.
- Never pull on the cord with excessive force.
  - Never repeatedly pull on the cord.
  - Never twist the cord at the base of the plug or connector.
  - Before moving the Digital Piano, be sure to unplug the AC adaptor from the power outlet.
  - Loop and bundle the power cord, but never wind it around the AC adaptor.

**AC Adaptor Handling Precautions**

- Model: AD-E24250LW/AD-A12150LW
1. Read these instructions.
  2. Keep these instructions on hand.
  3. Heed all warnings.
  4. Follow all instructions.
  5. Do not use this product near water.
  6. Clean only with a dry cloth.
  7. Do not install near radiators, heat registers, stoves, or any other source of heat (including amplifiers).
  8. Use only attachments and accessories specified by the manufacturer.
  9. Refer all servicing to qualified service personnel. Servicing is required after any of the following occurs: when the product is damaged, when the power supply cord or plug is damaged, when liquid is spilled into the product, when a foreign object falls into the product, when the product is exposed to rain or moisture, when the product does not operate normally, when the product is dropped.
  10. Do not allow the product to be exposed to dripping or splashing liquid. Do not place any object containing liquid on the product.
  11. Do not allow the electrical load output to exceed the label rating.
  12. Make sure the surrounding area is dry before plugging into a power source.
  13. Make sure the product is oriented correctly.
  14. Unplug the product during lightning storms or when you do not plan to use it for a long time.
  15. Do not allow product ventilation openings to become blocked. Install the product in accordance with the manufacturer's instructions.
  16. Take care the power cord is located where it will not be stepped upon or bent severely, particularly in locations close to plugs and convenience receptacles, and in locations where it exits from the product.
  17. The AC adaptor should be plugged into a power outlet as close to the product as possible to allow immediate disconnection of the plug in case of emergency.

The symbol below is an alert indicating un-insulated hazardous voltage inside the product's enclosure, which may be sufficient to constitute the risk of electric shock to users.



The symbol below is an alert indicating the presence of important operating and maintenance (servicing) instructions in the documentation that accompanies the product.



- Any reproduction of the contents of this manual, either in part or its entirety, is prohibited. Except for your own, personal use, any other use of the contents of this manual without the consent of CASIO is prohibited under copyright laws.
- IN NO EVENT SHALL CASIO BE LIABLE FOR ANY DAMAGES WHATSOEVER (INCLUDING, WITHOUT LIMITATION, DAMAGES FOR LOSS OF PROFITS, BUSINESS INTERRUPTION, LOSS OF INFORMATION) ARISING OUT OF THE USE OF OR INABILITY TO USE THIS MANUAL OR PRODUCT, EVEN IF CASIO HAS BEEN ADVISED OF THE POSSIBILITY OF SUCH DAMAGES.
- The contents of this manual are subject to change without notice.

## Free Manuals Download Website

<http://myh66.com>

<http://usermanuals.us>

<http://www.somanuals.com>

<http://www.4manuals.cc>

<http://www.manual-lib.com>

<http://www.404manual.com>

<http://www.luxmanual.com>

<http://aubethermostatmanual.com>

Golf course search by state

<http://golfingnear.com>

Email search by domain

<http://emailbydomain.com>

Auto manuals search

<http://auto.somanuals.com>

TV manuals search

<http://tv.somanuals.com>