

# OWNER'S MANUAL

**IRONMAN**  
**600g**

HOME GYM



**IRONMAN**  
*Fitness*

Questions?

Call our toll free Ironman Fitness Helpline

**1-800-750-4766**



**THANK YOU** for making the **IRONMAN 600g** unit a part of your exercise program. IRONMAN assures the very best in value, appearance, durability and biomechanics.

This manual will guide you through the assembly process. If at any time you are having trouble with the assembly or use of this product, then please contact us at our Ironman Fitness Helpline. We have trained service technicians on site to take care of you, our valued customer.

### **REGISTRATION CARD**

To avoid unnecessary delays in warranty parts and to insure that a permanent record of your purchase is on file with our company, be sure to send in the warranty registration card or register on-line at [www.ironmanfitness.com](http://www.ironmanfitness.com) within 10 days of purchase.

### **IRONMAN SERIES**

**MODEL: 600g**

**QUESTIONS?**

**CALL**

**1-800-750-4766**

**Monday-Friday**

**8:30-5:30 Central Time**

***When calling please have the following product information available:***

- Product Series
- Model #
- Part Number
- Part Description

## **BEFORE YOU START**

Prior to assembly, remove components from the box and verify that all the listed parts were supplied.

---

### **SAFETY INFORMATION WARNING!**

Before using this unit or starting any exercise program, consult your physician. This is especially important for persons over the age of 35 and/or persons with pre-existing health problems. Ironman Fitness Products LP assumes no responsibility for personal injury or property damage sustained by or through the use of this product.

It is the owner's responsibility to ensure that all users of this unit have read the Owner's Manual and are familiar with safety information and precautions.

---

### **SAFETY PRECAUTIONS**

- This unit should only be used on a level surface and is intended for indoor use only. Ironman Fitness recommends an equipment mat be placed under the unit to protect the floor or carpet and for easier cleaning.
- Wear comfortable, good-quality walking or running shoes and appropriate clothing. Do not use this unit with bare feet, sandals, socks or stockings!
- Always examine your unit before using to ensure all parts are in working order.
- Do not leave children unsupervised near or on the unit.
- Service to your home gym should only be performed by an authorized service representative, unless authorized and/or instructed by a IRONMAN FITNESS technician. Failure to follow these instructions will void the warranty.

# PARTS



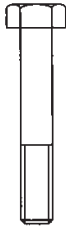
[104#] M8\*120 1pcs



[101#] M8\*65 2pcs



[111#]  $\phi 24 * \phi 13 * 1.5$  10pcs



[102#] M8\*50 2pcs



[112#]  $\phi 20 * \phi 11 * 2$  101pcs



[103#] M8\*15 1pcs



[107#] M8\*15 8pcs



[113#]  $\phi 16 * \phi 9 * 1.6$  11pcs



[108#] M8\*10 8pcs



[109#] M8\*15 4pcs



[114#]  $\phi 22 * \phi 9 * 2$  8pcs



[110#] M6\*20 1pcs



[115#] M12 7pcs



[116#] M10 48pcs

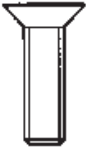


[117#] M8 5pcs



# PARTS

[1444] M12x35 1pc



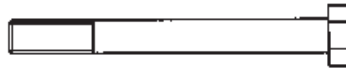
[1270] M12x75 2pc



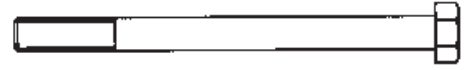
[1050] M12x115 1pc



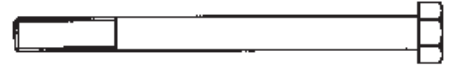
[910] M10x95 2pc



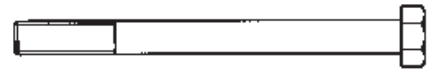
[920] M10x85 2pc



[880] M10x125 2pc



[890] M10x130 1pc



[900] M10x115 1pc

[1330] M10x50 2pc



[1000] M10x25 2pc



[990] M10x30 2pc



[980] M10x45 5pc



[970] M10x50 2pc



[960] M10x65 2pc



[950] M10x70 12pc



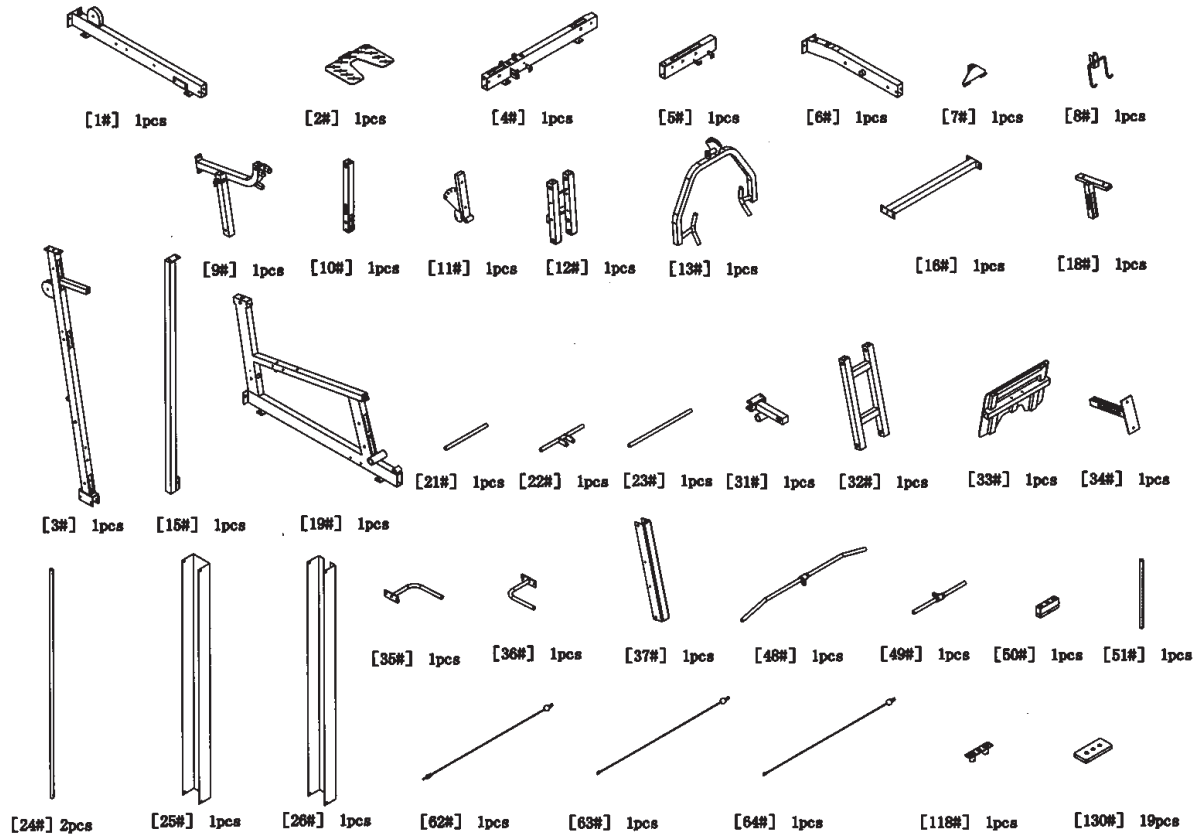
[940] M10x75 14pc



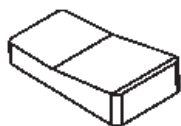
[930] M10x10 1pc



# PARTS



# PARTS



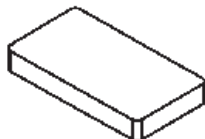
[276] 1pcs



[280] 1pcs



[290] 1pcs



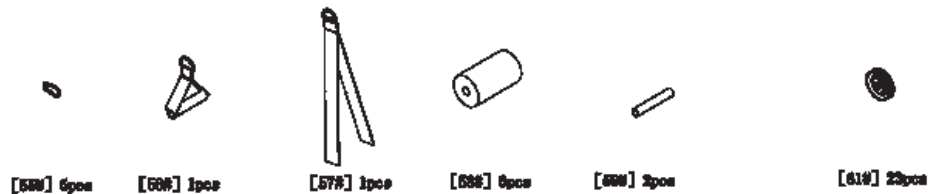
[306] 1pcs



[170] 1pcs [206] 6pcs [300] 2pcs [308] 2pcs [400] 4pcs [410] 4pcs [1200] 2pcs [406] 3pcs



[406] 2pcs [450] 4pcs [400] 30pcs [470] 4pcs [820] 1pcs [600] 1pcs [540] 1pcs



[500] 6pcs [600] 1pcs [570] 1pcs [600] 6pcs [600] 2pcs [610] 23pcs



[600] 2pcs [600] 1pcs [670] 1pcs [680] 1pcs [600] 1pcs [700] 1pcs [710] 1pcs



[720] 4pcs [730] 2pcs [740] 4pcs [750] 4pcs [760] 4pcs [770] 4pcs [780] 2pcs [790] 1pcs [800] 4pcs [810] 4pcs



[820] 8pcs [830] 1pcs [840] 2pcs [850] 2pcs [860] 4pcs [870] 2pcs [1200] 4pcs [1200] 2pcs [1200] 6pcs

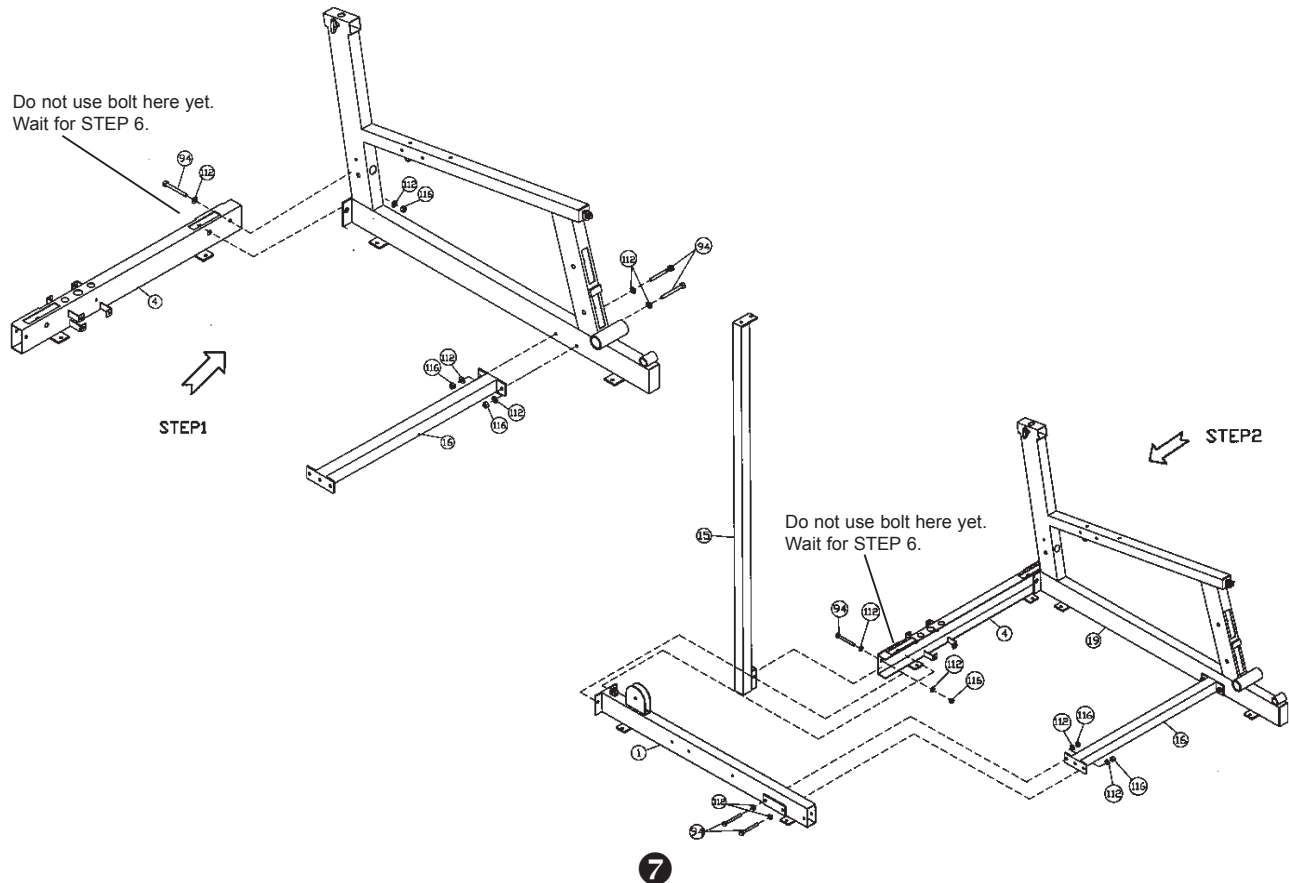
# PARTS LIST

#	DESCRIPTION	QTY	#	DESCRIPTION	QTY	#	DESCRIPTION	QTY
1	Base Frame	1	46	Bushing	20	90	Bolt M10*115	1
2	Foot Plate	1	47	Double Pulley Bracket	4	91	Bolt M10*95	2
3	Main Upright	1	48	Lat Pull Bar	1	92	Bolt M10*85	3
4	Rear Cross Beam	1	49	Low Pull Bar	1	93	Bolt M10*80	1
5	Rear Top Beam	1	50	Weight Plate Assembly	1	94	Bolt M10*75	16
6	Main Top Beam	1	51	Selector Rod	1	95	Bolt M10*70	12
7	Foot Plate Bracket	1	52	Selector Pin	1	96	Bolt M10*65	2
8	Lat Pull Down Bar	1	53	Chain	1	97	Bolt M10*50	2
9	Seat Pad Support Receptacle	1	54	Chain	1	98	Bolt M10*45	6
10	Leg Extension Lever	1	55	Hook	5	99	Bolt M10*35	2
11	Back Pad Support	1	56	Nylon Handle	1	100	Bolt M10*25	2
12	Press Arm Support	1	57	Ab Strap	1	101	Bolt M8*65	2
13	Press Arm	1	58	Foam Roller	6	102	Bolt M8*50	2
15	Rear Upright	1	59	Foam Grip	2	103	Bolt M*15	1
16	Front Cross Link Beam	1	61	Pulley	23	104	Bolt M8*120	1
17	L-Pin (Long)	1	62	Cable	1	105	Bolt M12*85	1
18	Seat Pad Support	1	63	Cable	1	106	Phillip Screw M12*35	1
19	Leg Press Main Frame	1	64	Cable	1	107	Hex Screw M8*15	8
20	Bushing (Long)	6	65	Rubber Cushion	2	108	Hex Screw M8*10	8
21	Foam Tubing	1	66	Mark Sticker	1	109	Hex Screw M*15	4
22	Foam Tubing	1	67	Mark Sticker	1	110	Phillip Screw M6*20	1
23	Knee Hold Down Bar	1	68	Pull Pin (Long)	1	111	Washer 13*24*1.5	10
24	Guide Rod	2	69	Pull Pin	1	112	Washer 11*20*2	101
25	Weight Stack Cover	1	70	L-Pin	1	113	Washer 9*16*1.6	11
26	Weight Stack Cover	1	71	Nylon Stopper	1	114	Washer 22*9*2	8
27	Seat Pad (Main Frame)	1	72	Bronze Bushing	4	115	Nut M12	7
28	Back Pad (Main Frame)	1	73	Bushing	2	116	Nut M10	48
29	Back Pad (Leg Press)	1	74	Bushing	4	117	Nut M8	5
30	Seat Pad (Leg Press)	1	75	Bushing	4	118	Guide Rod Support	1
31	Foot Plate Support Connector	1	76	Spring Washer	4	119	Hex Screw	2
32	Foot Plate Support	1	77	Spring Washer	4	120	Allen Wrench	1
33	Foot Plate	1	78	Pull Pin	2	123	Allen Bolt M10x50	2
34	Back Pad Support	1	79	Rubber Cushion	1	125	Rubber Weight Bumper	2
35	Handle (Left)	1	80	Handle Grip	4	126	Square 50*25 Plug	5
36	Handle (Right)	1	81	End Cap 100*50	4	127	Bolt M12x75	2
37	U Beam	1	82	End Cap 50	8	128	Ankle Strap	1
38	Shaft	2	83	End Cap 45	1	129	Grip Foam 70x38x135	4
39	Shaft	2	84	End Cap 60*30	2	130	Weight Plate	19
41	Limitier	4	85	End Cap 50*25	7			
42	C Clamp	2	86	End Cap 50.8	4			
43	Shaft	2	87	End Cap 25	8			
44	Bolt	2	88	Bolt M10*125	3			
45	Sleeve	4	89	Bolt M10*120	1			



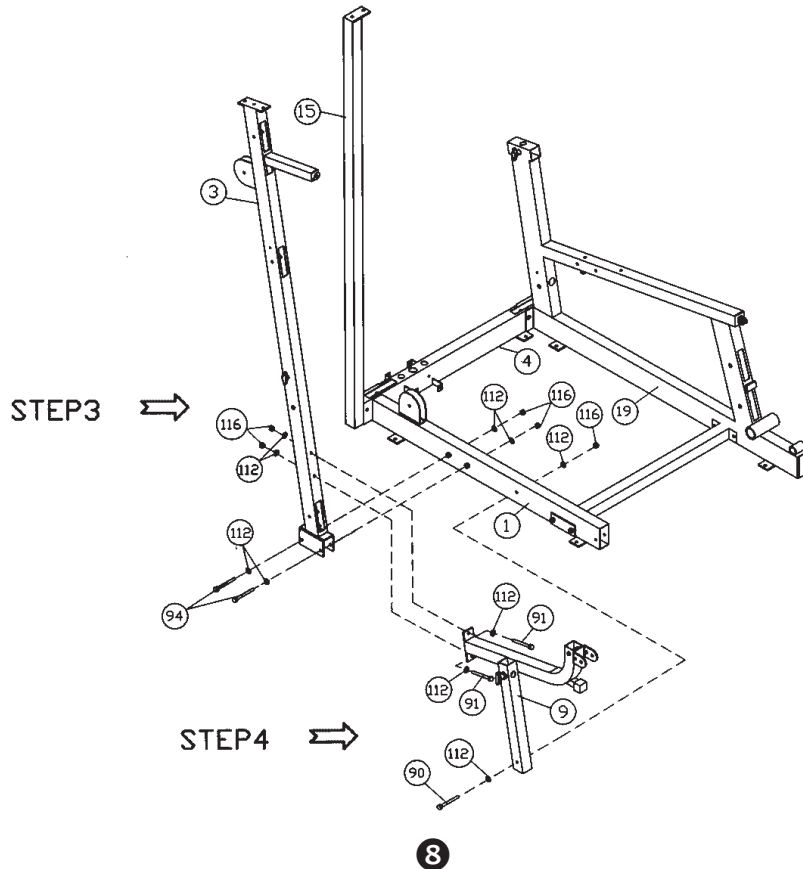
# ASSEMBLY

**NOTE:** Hand tighten bolts and nylon nuts until machine is fully assembled.



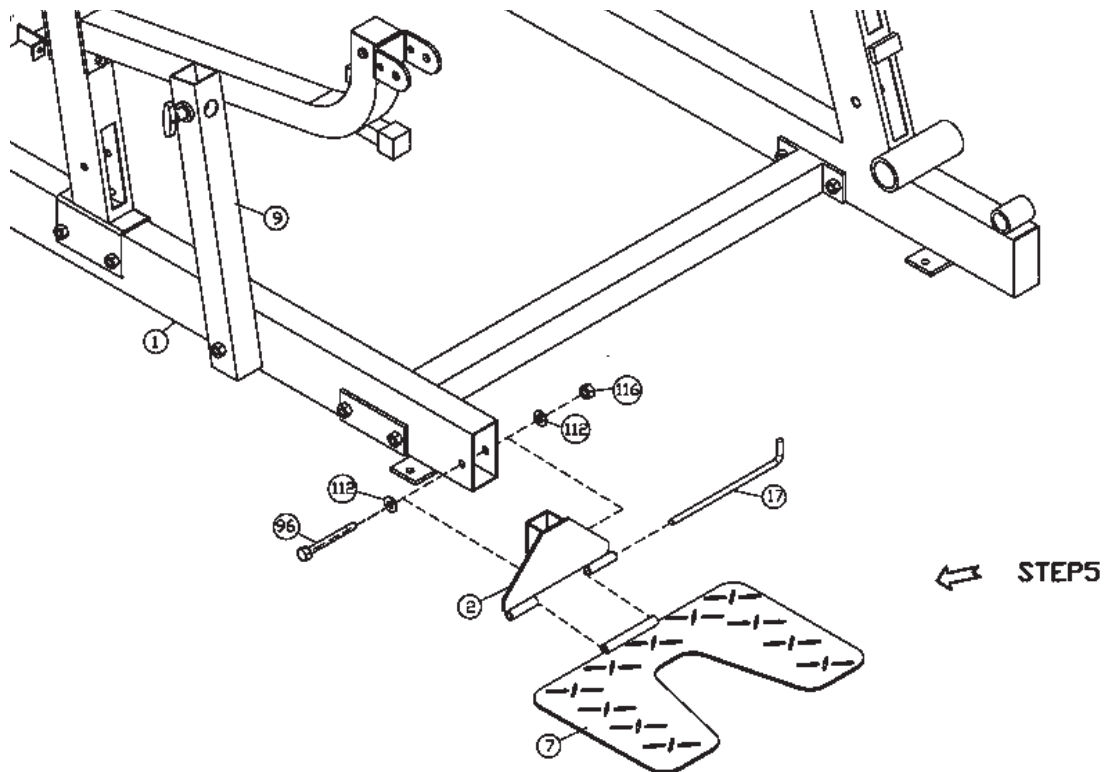
# ASSEMBLY

NOTE: Hand tighten bolts and nylon nuts until machine is fully assembled.



## ASSEMBLY

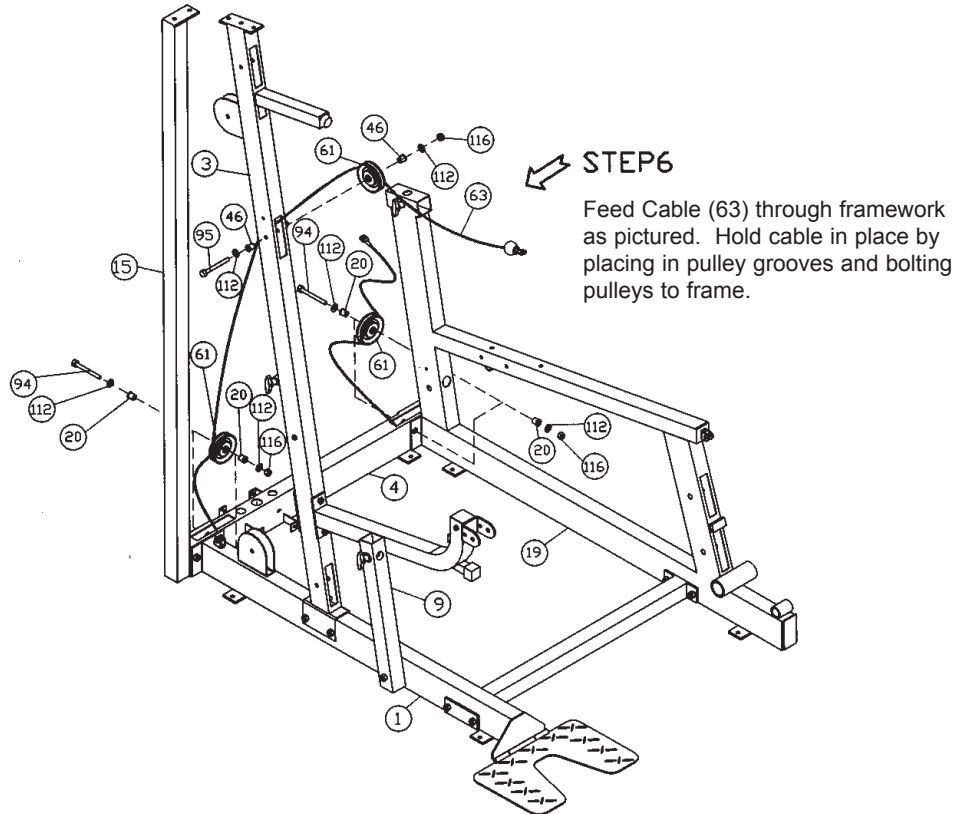
NOTE: Hand tighten bolts and nylon nuts until machine is fully assembled.



9

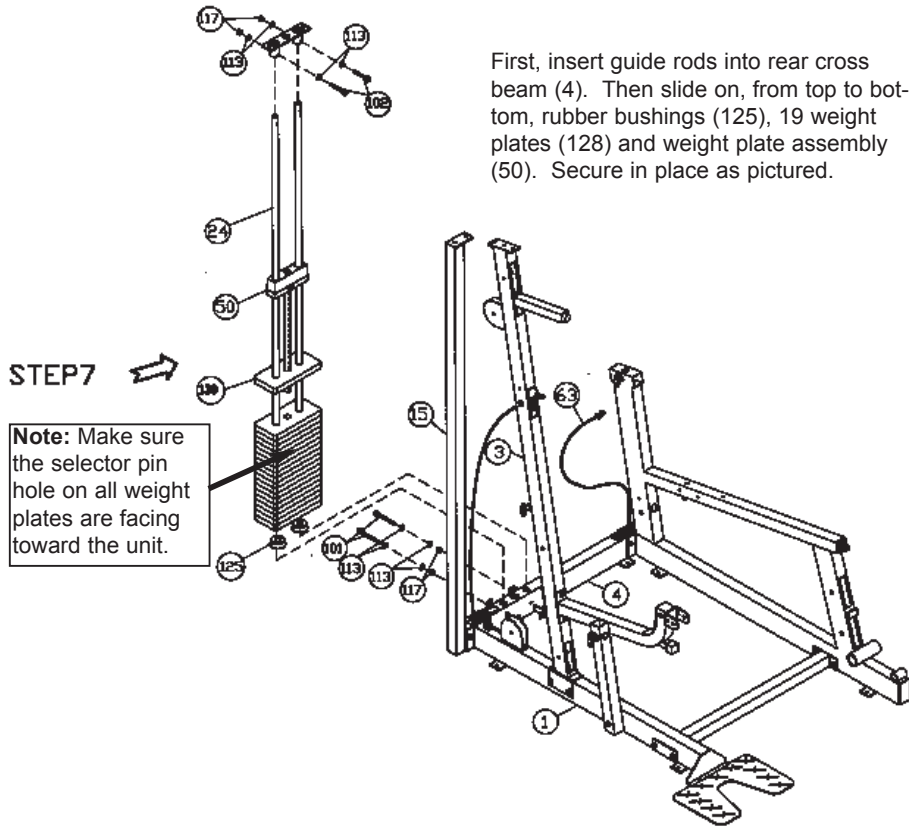
## ASSEMBLY

NOTE: Hand tighten bolts and nylon nuts until machine is fully assembled.



## ASSEMBLY

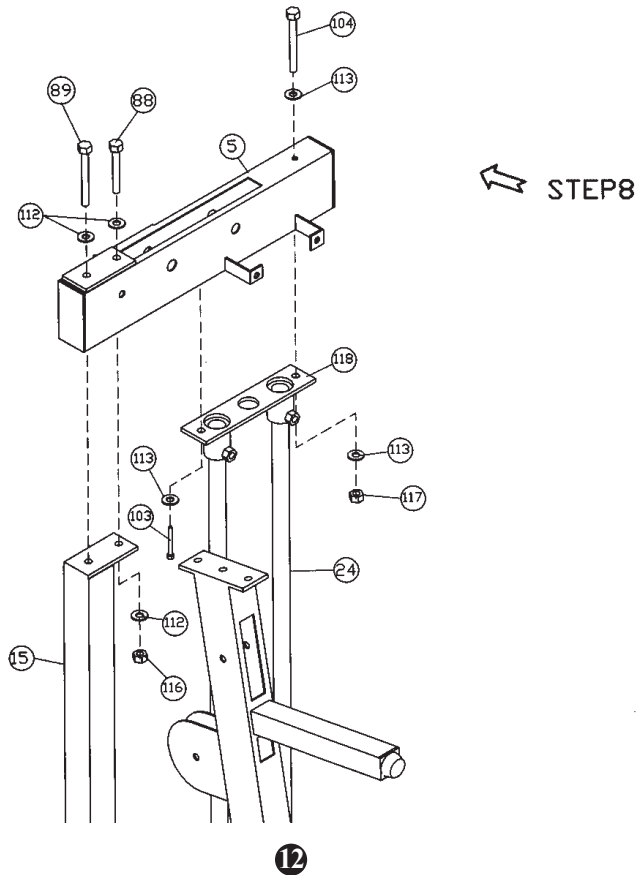
**NOTE:** Hand tighten bolts and nylon nuts until machine is fully assembled.



11

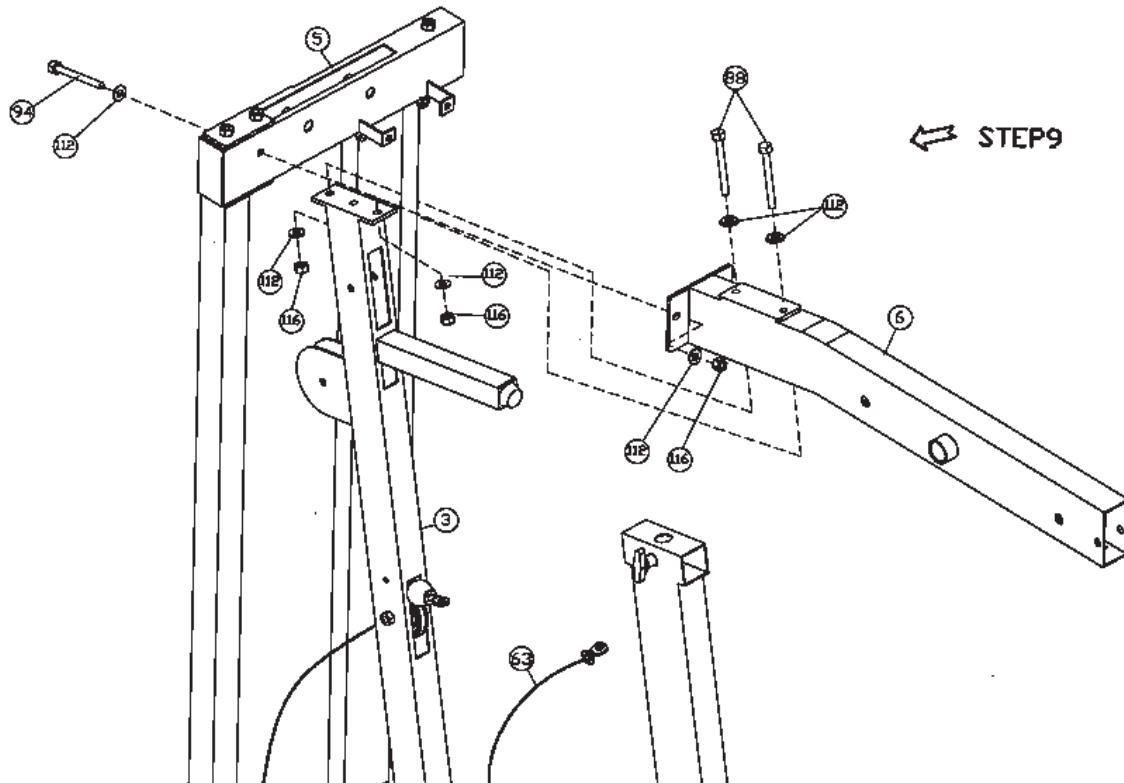
# ASSEMBLY

NOTE: Hand tighten bolts and nylon nuts until machine is fully assembled.



# ASSEMBLY

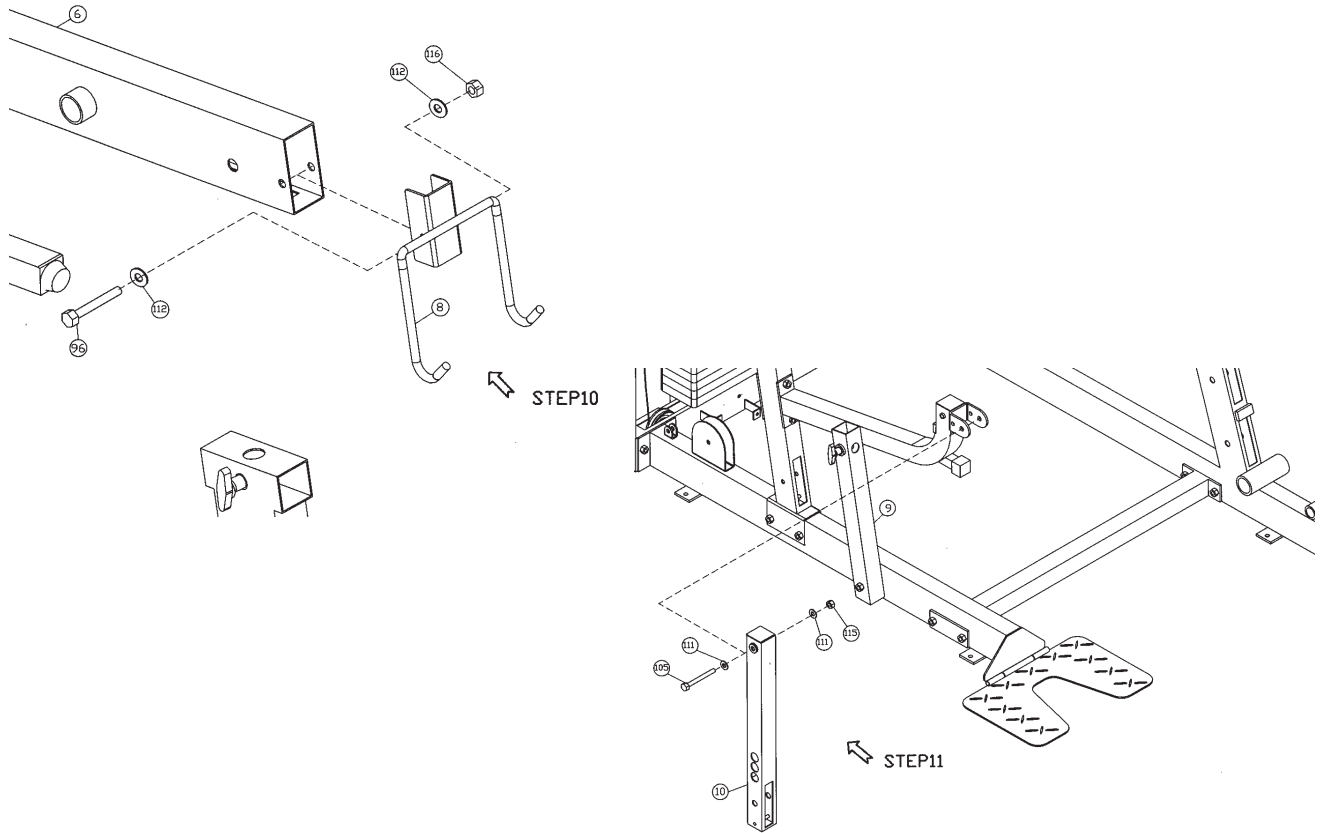
NOTE: Hand tighten bolts and nylon nuts until machine is fully assembled.



13

# ASSEMBLY

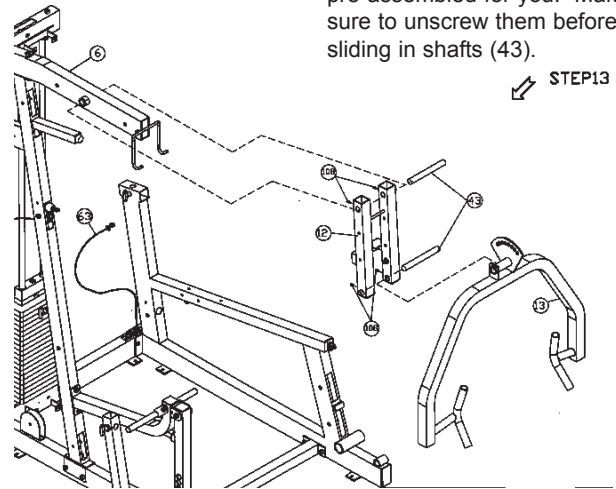
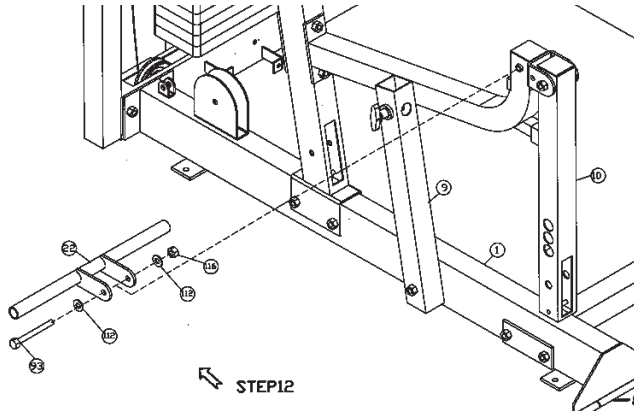
NOTE: Hand tighten bolts and nylon nuts until machine is fully assembled.





# ASSEMBLY

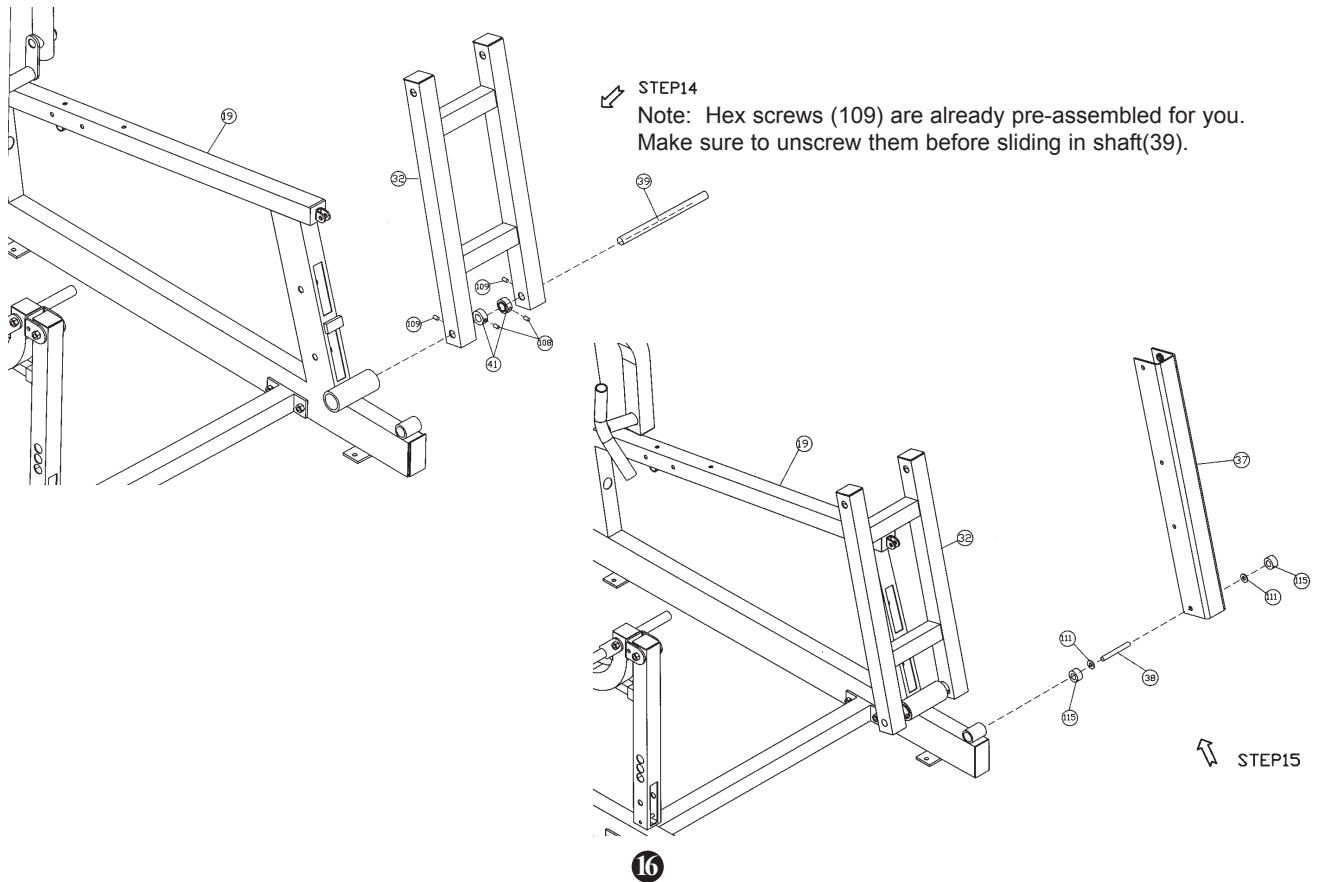
NOTE: Hand tighten bolts and nylon nuts until machine is fully assembled.



15

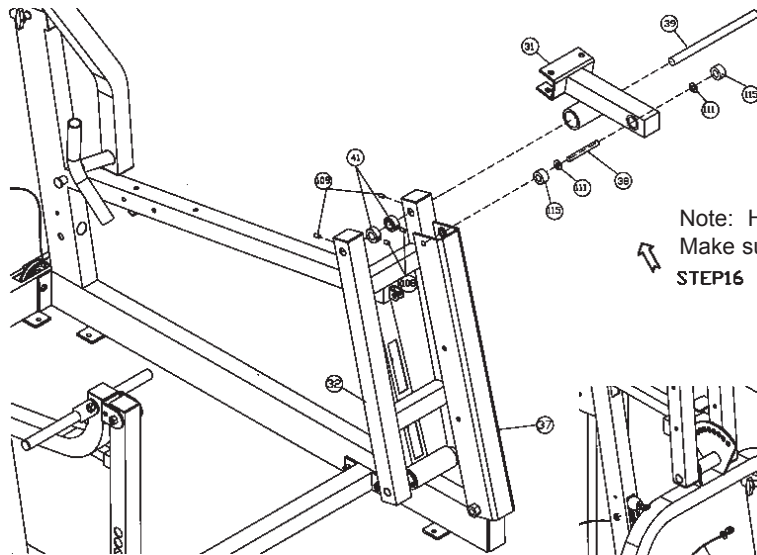
# ASSEMBLY

**NOTE:** Hand tighten bolts and nylon nuts until machine is fully assembled.



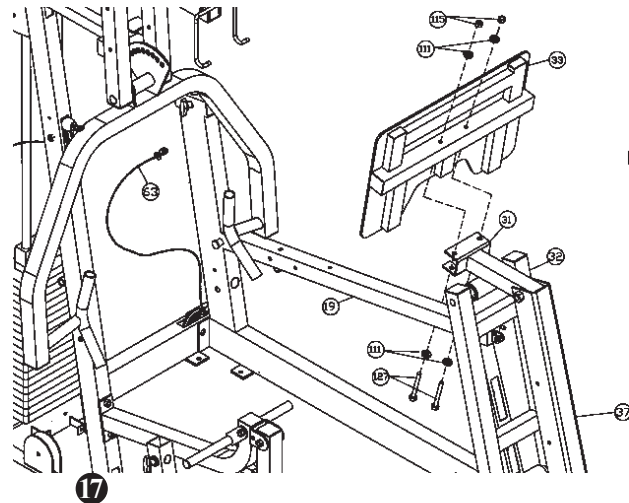
## ASSEMBLY

**NOTE:** Hand tighten bolts and nylon nuts until machine is fully assembled.



Note: Hex screws are already pre-assembled for you. Make sure to unscrew them before sliding in shaft (39).

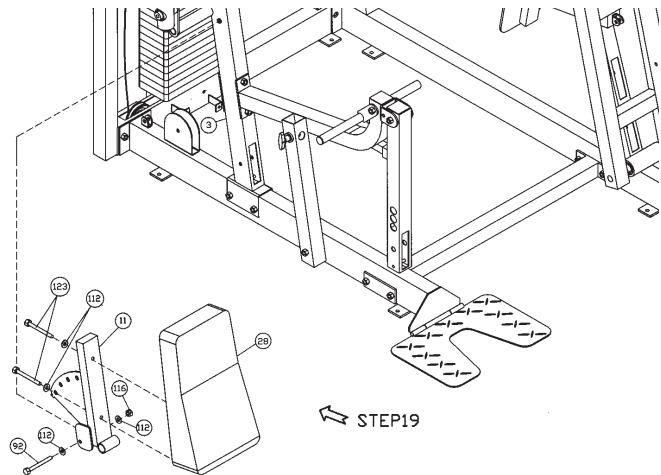
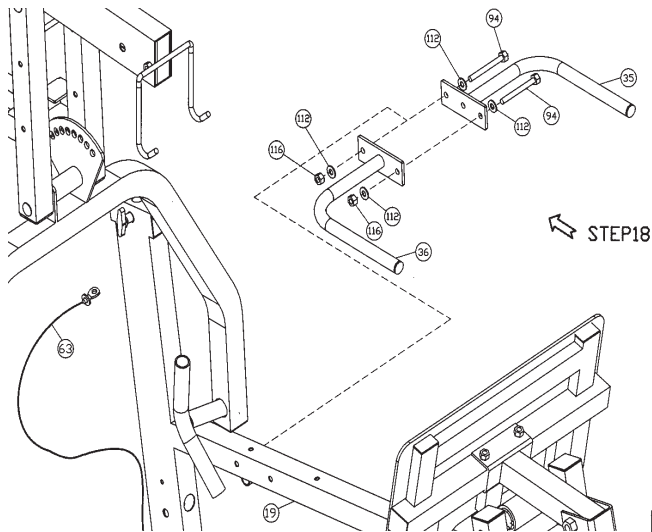
STEP16



STEP17

# ASSEMBLY

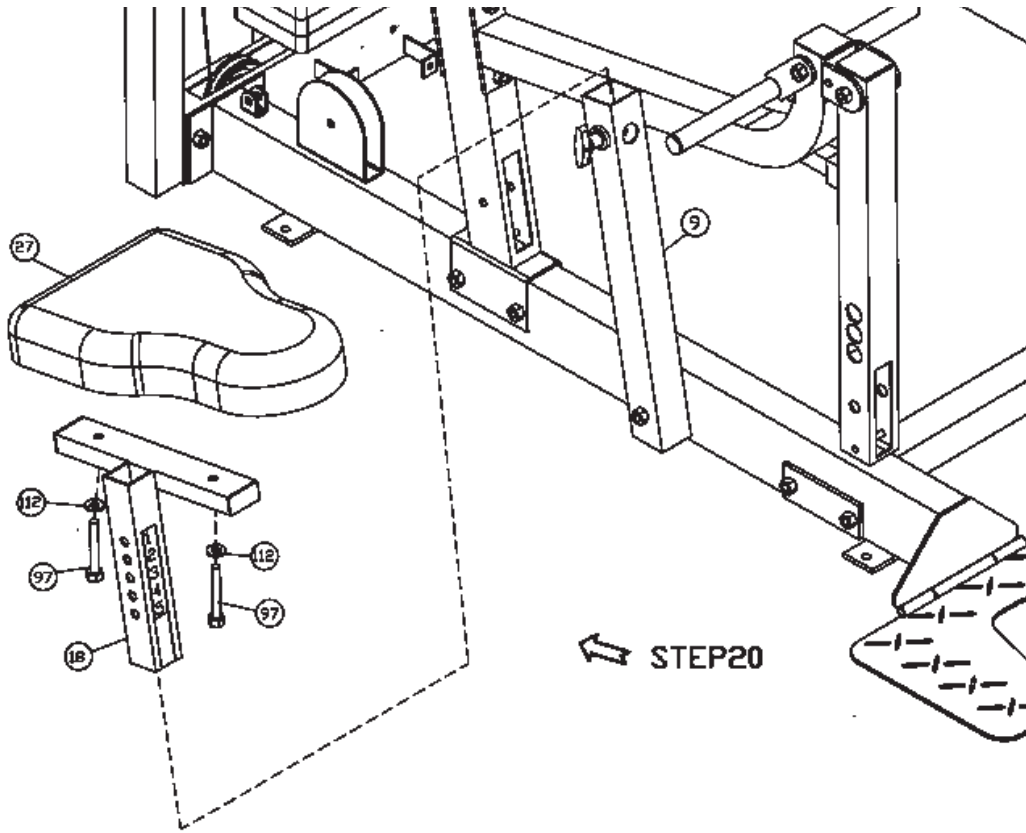
NOTE: Hand tighten bolts and nylon nuts until machine is fully assembled.



18

## ASSEMBLY

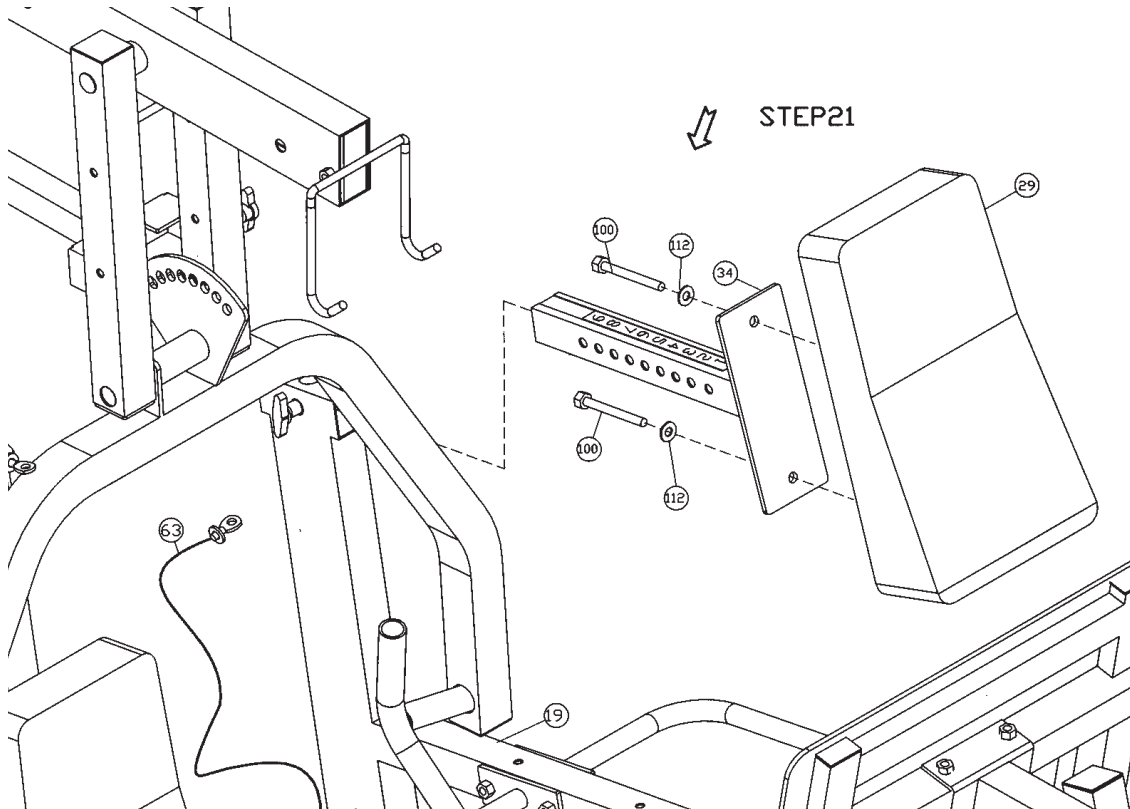
NOTE: Hand tighten bolts and nylon nuts until machine is fully assembled.



19

## ASSEMBLY

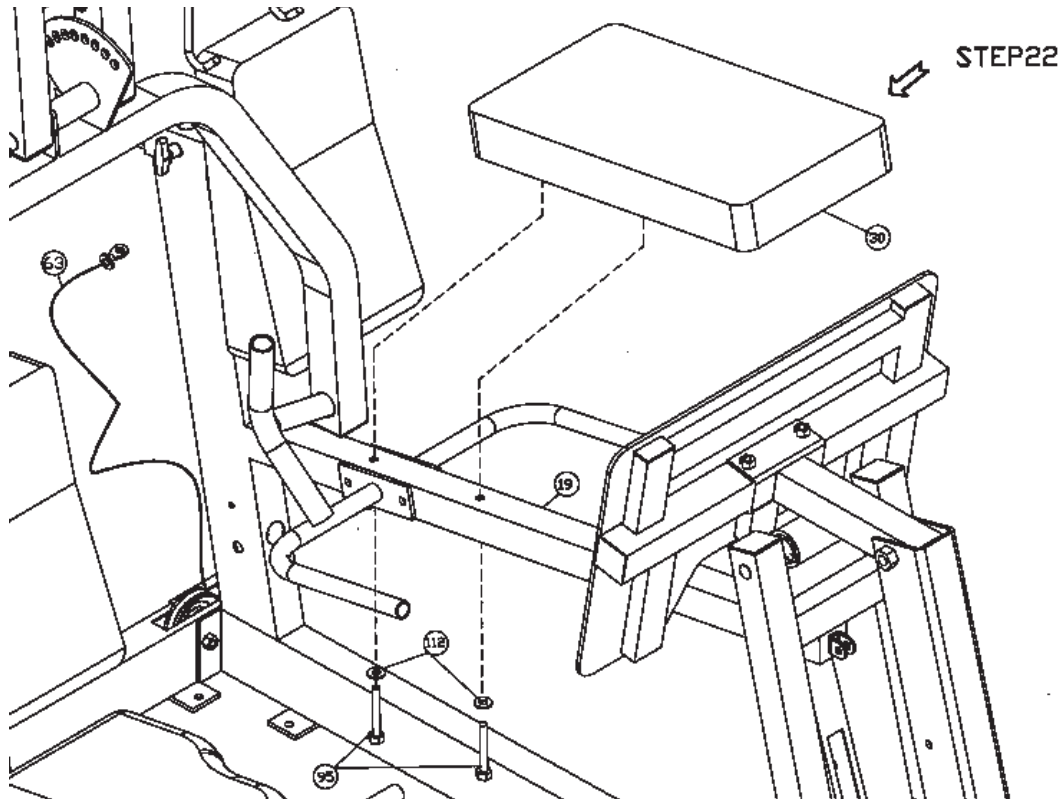
NOTE: Hand tighten bolts and nylon nuts until machine is fully assembled.



20

## ASSEMBLY

NOTE: Hand tighten bolts and nylon nuts until machine is fully assembled.



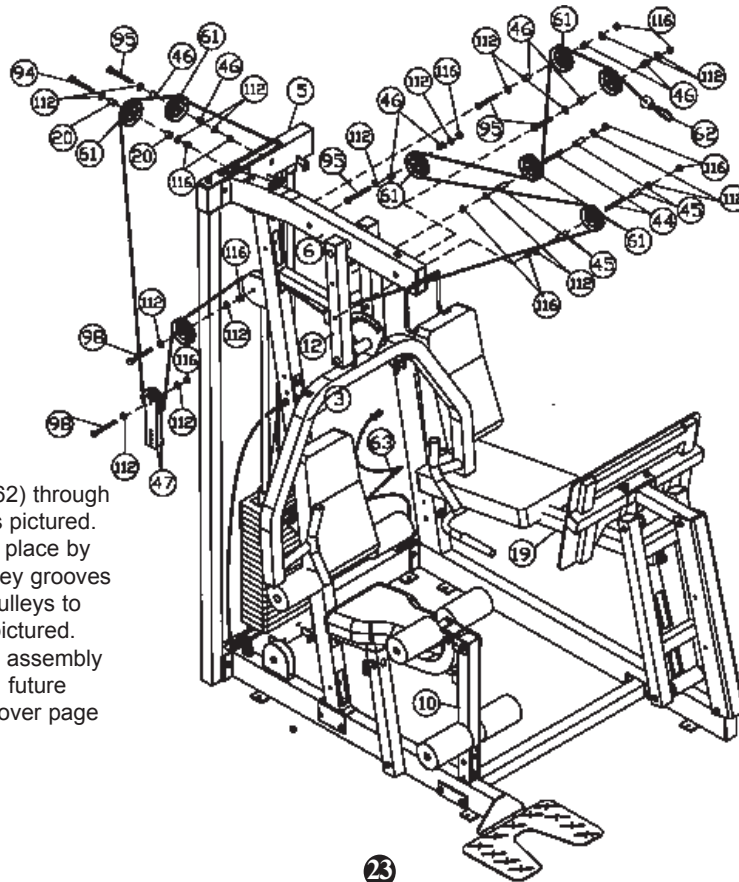
21





## ASSEMBLY

NOTE: Hand tighten bolts and nylon nuts until machine is fully assembled.



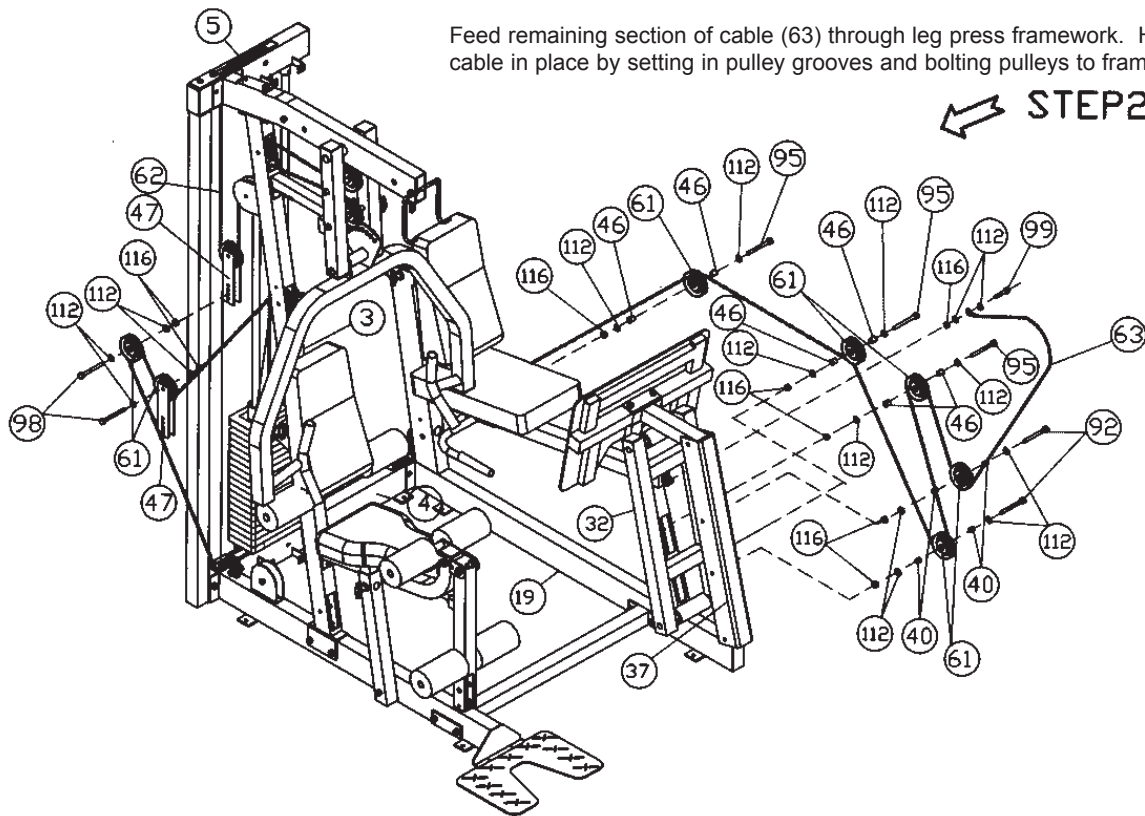
### STEP 24

Feed cable (62) through framework as pictured. Hold cable in place by setting in pulley grooves and bolting pulleys to frame or as pictured. View finished assembly of this step in future steps or on cover page for guidance.

## ASSEMBLY

**NOTE:** Hand tighten bolts and nylon nuts until machine is fully assembled.

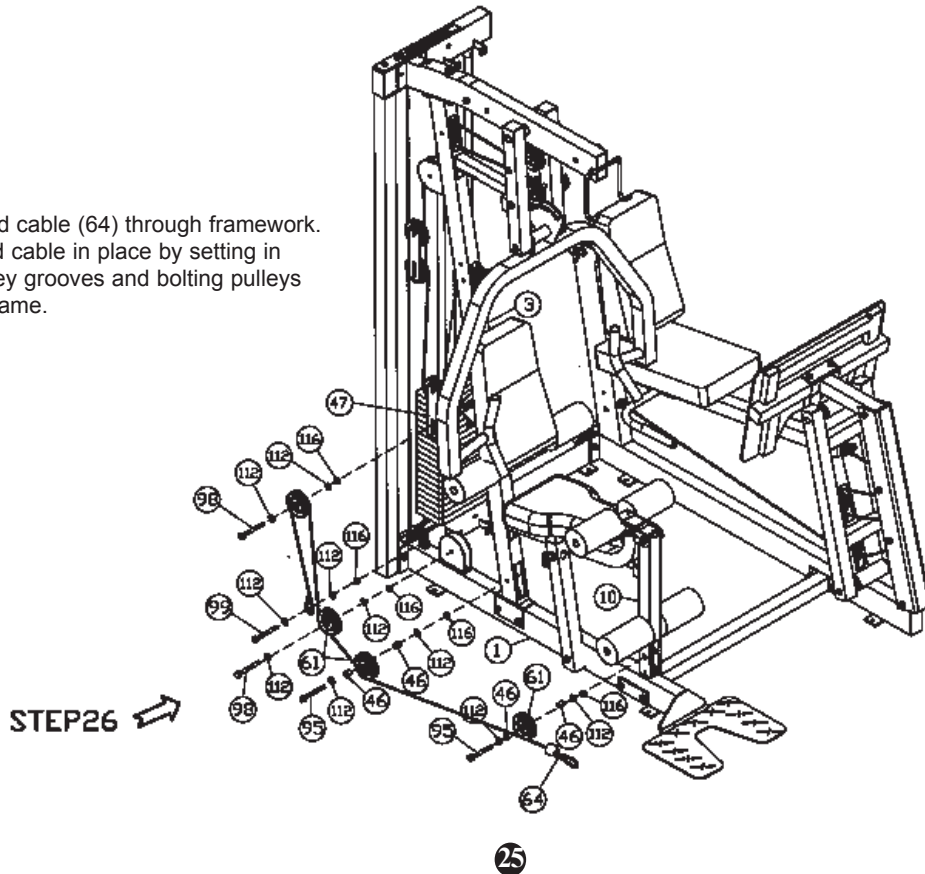
Feed remaining section of cable (63) through leg press framework. Hold cable in place by setting in pulley grooves and bolting pulleys to frame.



## ASSEMBLY

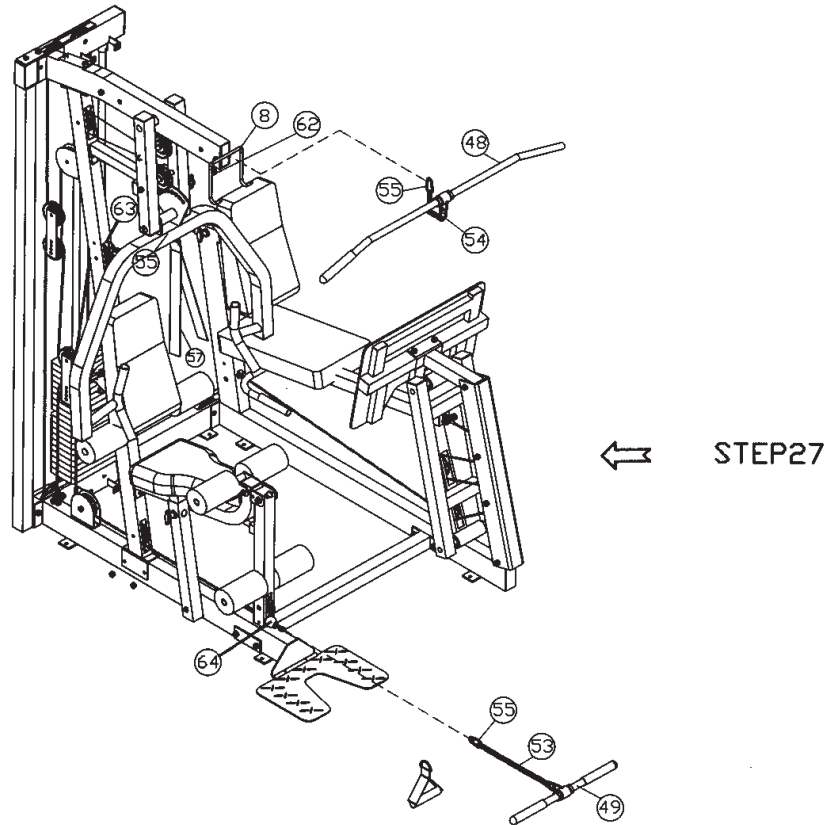
**NOTE:** Hand tighten bolts and nylon nuts until machine is fully assembled.

Feed cable (64) through framework.  
Hold cable in place by setting in  
pulley grooves and bolting pulleys  
to frame.



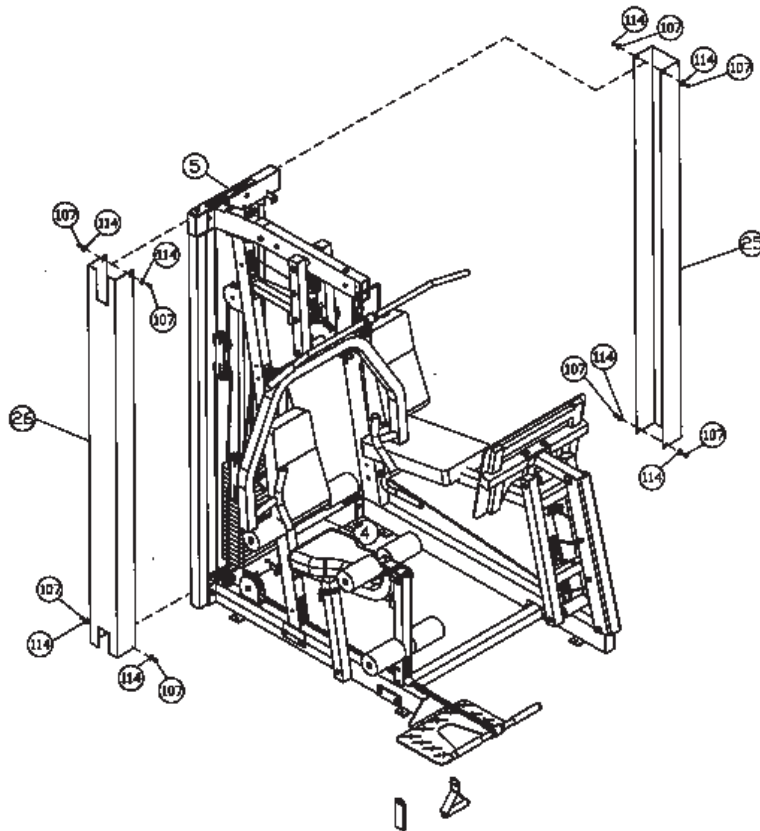
# ASSEMBLY

NOTE: Hand tighten bolts and nylon nuts until machine is fully assembled.



## ASSEMBLY

NOTE: Hand tighten bolts and nylon nuts until machine is fully assembled.



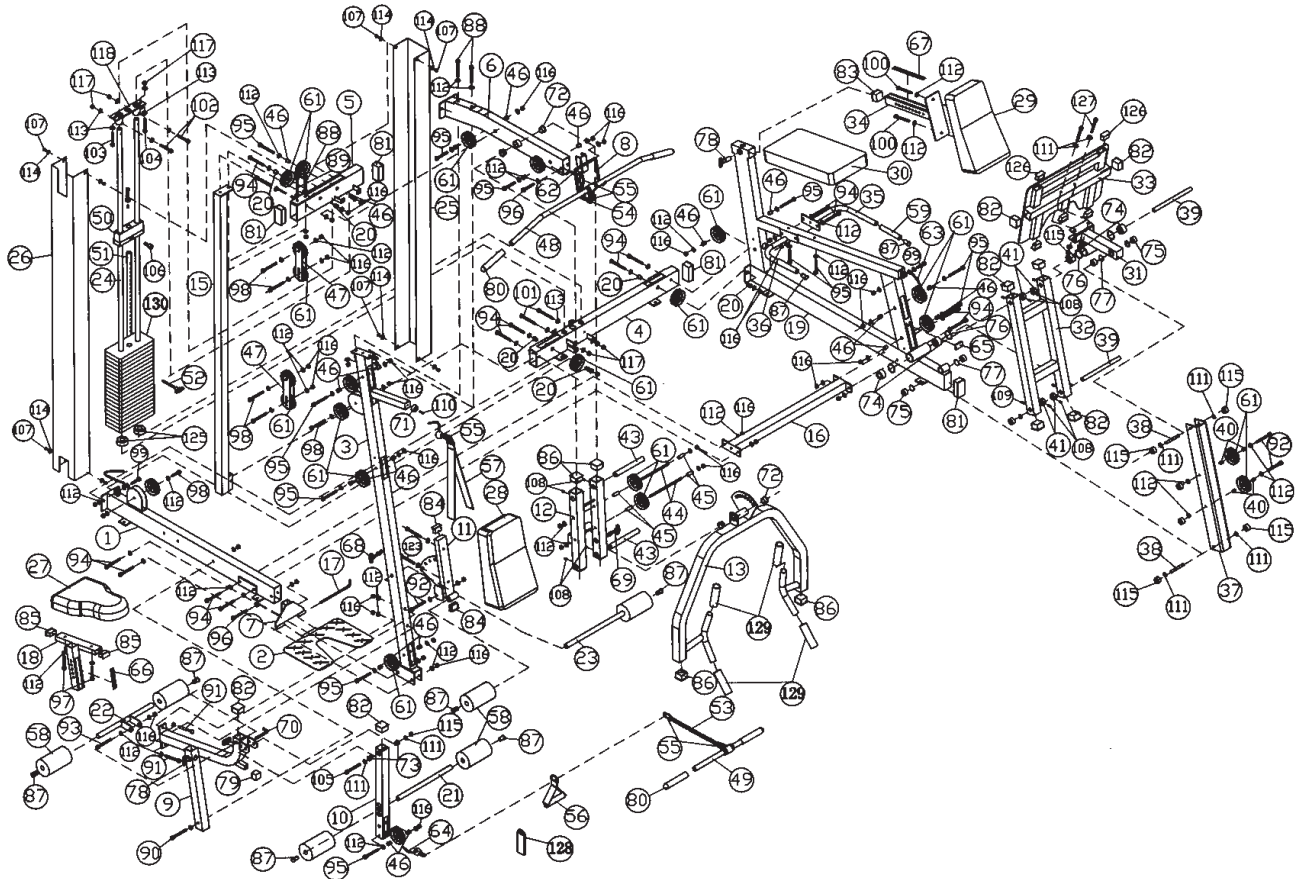
### STEP 28

Before securing weight stack covers (25,26):

1. Make sure to lightly lube the guide rods with the supplied lubrication.

2. Place the weight stack plate numbers on the weight plates. Start at the bottom and work your way up. Sticker "10" should be placed on the weight plate guide rod assembly (50).

# EXPLODED VIEW



## IRONMAN FITNESS 600g LIMITED WARRANTY

### Residential Warranty

Frame: Lifetime

Parts: 90 Days

Labor: None

This Limited Warranty applies in the United States and Canada to products manufactured or distributed by Ironman Fitness ("Ironman") under the Ironman brand name. The warranty period to the original purchaser is listed above in the table.

Ironman warrants that the Product you have purchased for use from Ironman or from an authorized Ironman reseller is free from defects in materials or workmanship under normal use during the warranty period. Your sales receipt, showing the date of purchase of the Product, is your proof of purchase. This warranty only extends to you, the original purchaser. It is not transferable to anyone who subsequently purchases the Product from you. It excludes expendable parts (wear items). Wear items pertain to components that might need to be replaced due to normal wear and tear. These items vary per product but will include pedal straps, seats, grips, chains, bottom bracket assemblies, pads, etc. Please contact an Ironman customer service representative for specifics on wear items. This Limited Warranty becomes VALID ONLY if the product is purchased through an Ironman Fitness authorized dealer unless otherwise authorized by Ironman Fitness in writing.

During the warranty period Ironman will repair or replace (at Ironman's option) the product if it becomes defective, malfunctions, or otherwise fails to conform with this Limited Warranty under normal use. In repairing the Product, Ironman may replace defective parts, or at the option of Ironman, serviceable used parts that are equivalent to new parts in performance. All exchanged parts and Products replaced under this warranty will become the property of Ironman. Ironman reserves the right to change manufacturers of any part to cover any existing warranty.

This warranty DOES NOT COVER shipping charges, export taxes, custom duties and taxes, or any other charges associated with transportation of the parts or Product.

To obtain warranty service, you must contact an Ironman authorized retailer, service technician or Ironman Fitness at our phone number located in this manual. Any parts determined to be defective must be returned to Ironman to obtain warranty service. You must prepay any shipping charges, export taxes, custom duties and taxes, or any other charges associated with transportation of the parts or Product. In addition, you are responsible for insuring any parts or Product shipped or returned. You assume the risk of loss during shipment. You must present Ironman with proof-of-purchase documents (including the date of purchase). Any evidence of alteration, erasing or forgery of proof-of-purchase documents will be cause to void this Limited Warranty.

This warranty does not extend to any product not purchased from Ironman or from an authorized Ironman reseller. This Limited Warranty does not extend to any Product that has been damaged or rendered defective; (a) as a result of accident, misuse, or abuse; (b) by the use of parts not manufactured or sold by Ironman; (c) by modification of the Product or normal wear and tear; (d) operation on incorrect power supplies; or (e) as a result of service by anyone other than Ironman, or an authorized Ironman warranty service provider. Product on which the serial number has been defaced or removed is not eligible for warranty service. Should any Product submitted for warranty service be found ineligible, an estimate of repair cost will be furnished and the repair will be made if requested by you upon Ironman's receipt of payment or acceptable arrangements for payment.

EXCEPT AS EXPRESSLY SET FORTH IN THIS WARRANTY, IRONMAN MAKES NO OTHER WARRANTIES, EXPRESSED OR IMPLIED, INCLUDING ANY IMPLIED WARRANTIES OF MERCHANTABILITY AND FITNESS FOR A PARTICULAR PURPOSE. IRONMAN EXPRESSLY DISCLAIMS ALL WARRANTIES NOT STATED IN THIS LIMITED WARRANTY. ANY IMPLIED WARRANTIES THAT MAY BE IMPOSED BY LAW ARE LIMITED TO THE TERMS OF THIS LIMITED WARRANTY. NEITHER IRONMAN NOR ANY OF ITS AFFILIATES SHALL BE RESPONSIBLE FOR INCIDENTAL OR CONSEQUENTIAL DAMAGES. SOME STATES DO NOT ALLOW LIMITATIONS ON HOW LONG AN IMPLIED WARRANTY LASTS OR THE EXCLUSION OR LIMITATION OF INCIDENTAL OR CONSEQUENTIAL DAMAGES, SO THE ABOVE LIMITATIONS OR EXCLUSION MAY NOT APPLY TO YOU. This Limited Warranty gives you specific legal rights and you may also have other rights that may vary from state to state. This is the only expressed warranty applicable to Ironman-branded products. Ironman neither assumes nor authorizes anyone to assume for it any other express warranty.

PLEASE SEND IN THE ATTACHED WARRANTY CARD WITHIN TEN (10) DAYS OF PURCHASE TO REGISTER YOUR UNIT WITH IRONMAN FITNESS. PLEASE MAIL WARRANTY CARD TO:  
IRONMAN FITNESS, ATTN: WARRANTY DEPARTMENT, P.O. BOX 551239, DALLAS, TEXAS 75355-1239  
REGISTER YOUR PRODUCT ONLINE AT:  
[WWW.IRONMANFITNESS.COM](http://WWW.IRONMANFITNESS.COM)



**Customer Service**

(800) 750-4766

**Ironman Fitness Products**

4009 Distribution Drive

Suite 250

Garland, TX 75041

**[www.ironmanfitness.com](http://www.ironmanfitness.com)**

**Ironman and M-dot are registered trademarks of the World Triathlon Corp., used here by permission.**



## Free Manuals Download Website

<http://myh66.com>

<http://usermanuals.us>

<http://www.somanuals.com>

<http://www.4manuals.cc>

<http://www.manual-lib.com>

<http://www.404manual.com>

<http://www.luxmanual.com>

<http://aubethermostatmanual.com>

Golf course search by state

<http://golfingnear.com>

Email search by domain

<http://emailbydomain.com>

Auto manuals search

<http://auto.somanuals.com>

TV manuals search

<http://tv.somanuals.com>