



HEARTH PRODUCTS

HEARTH PRODUCTS
KITS AND ACCESSORIES

750,213M
05/2006

DRAIN PAN

INSTALLATION INSTRUCTIONS FOR LENNOX OUTDOOR FIREPLACE DRAIN PAN DPSS36 (P/N H4651) & DPSS42 (P/N H4652)

GENERAL INFORMATION

Although the fireplace is designed to operate safely outdoors, rain and other sources that may enter the hearth area, condensation and unusual conditions, will cause water to collect inside the fireplace bottom.

To prevent water collection, the builder must provide a means to drain water from under the fireplace by building or installing a water collector of the builders choice, before positioning the fireplace on its location.

Special care must be taken when the fireplace is installed against an exterior wall. The enclosure surrounding the fireplace on the sides and back must be treated as an exterior wall.

Lennox does provide this optional drain pan to assist weatherproofing the fireplace. H4651 DPSS36 Drain Pan for E360DG, H4652 DPSS42 Drain Pan for E420DG.

INSTALLATION INSTRUCTIONS

When Planning for the installation of the fireplace, the framing height must be increased from 46-1/2 inches to 47-1/4 inches, when installing the drain pan. An additional space below the fireplace will also be required to plumb a drain line.

Step 1. Seal all joints, gaps and corners around the bottom of the drain pan before positioning the fireplace on its location (*Figure 1*).

Step 2. On the exposed drain hole, install a PVC threaded coupling reducer, 3/4" x 1/2" going from the top of the pan, down through the hole. Apply a silicone-based sealant around the base and threads before installation.

Step 3. Holding the reducer coupling with a wrench, thread a 3/4", 90 degree, PVC elbow to the reducer until it is tight to the metal.

Note: To assure proper drainage, the fireplace must be installed on a leveled surface.

Step 4. Add additional piping to route the drain to an appropriate location.

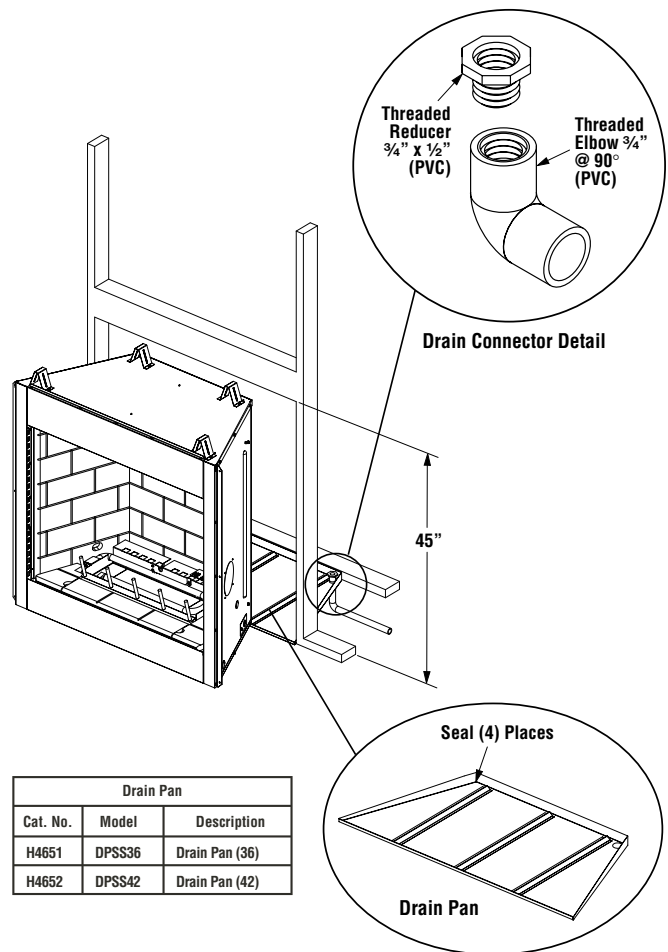


Figure 1

NOTE: DIAGRAMS & ILLUSTRATIONS NOT TO SCALE.

Lennox Hearth Products reserves the right to make changes at any time, without notice, in design, materials, specifications, prices and also to discontinue colors, styles and products. Consult your local distributor for fireplace code information.

Printed in U.S.A. © 2006 by LHP
P/N 750,213M REV. N/C 05/2006

LHP
1110 West Taft Avenue
Orange, CA 92865

Free Manuals Download Website

<http://myh66.com>

<http://usermanuals.us>

<http://www.somanuals.com>

<http://www.4manuals.cc>

<http://www.manual-lib.com>

<http://www.404manual.com>

<http://www.luxmanual.com>

<http://aubethermostatmanual.com>

Golf course search by state

<http://golfingnear.com>

Email search by domain

<http://emailbydomain.com>

Auto manuals search

<http://auto.somanuals.com>

TV manuals search

<http://tv.somanuals.com>