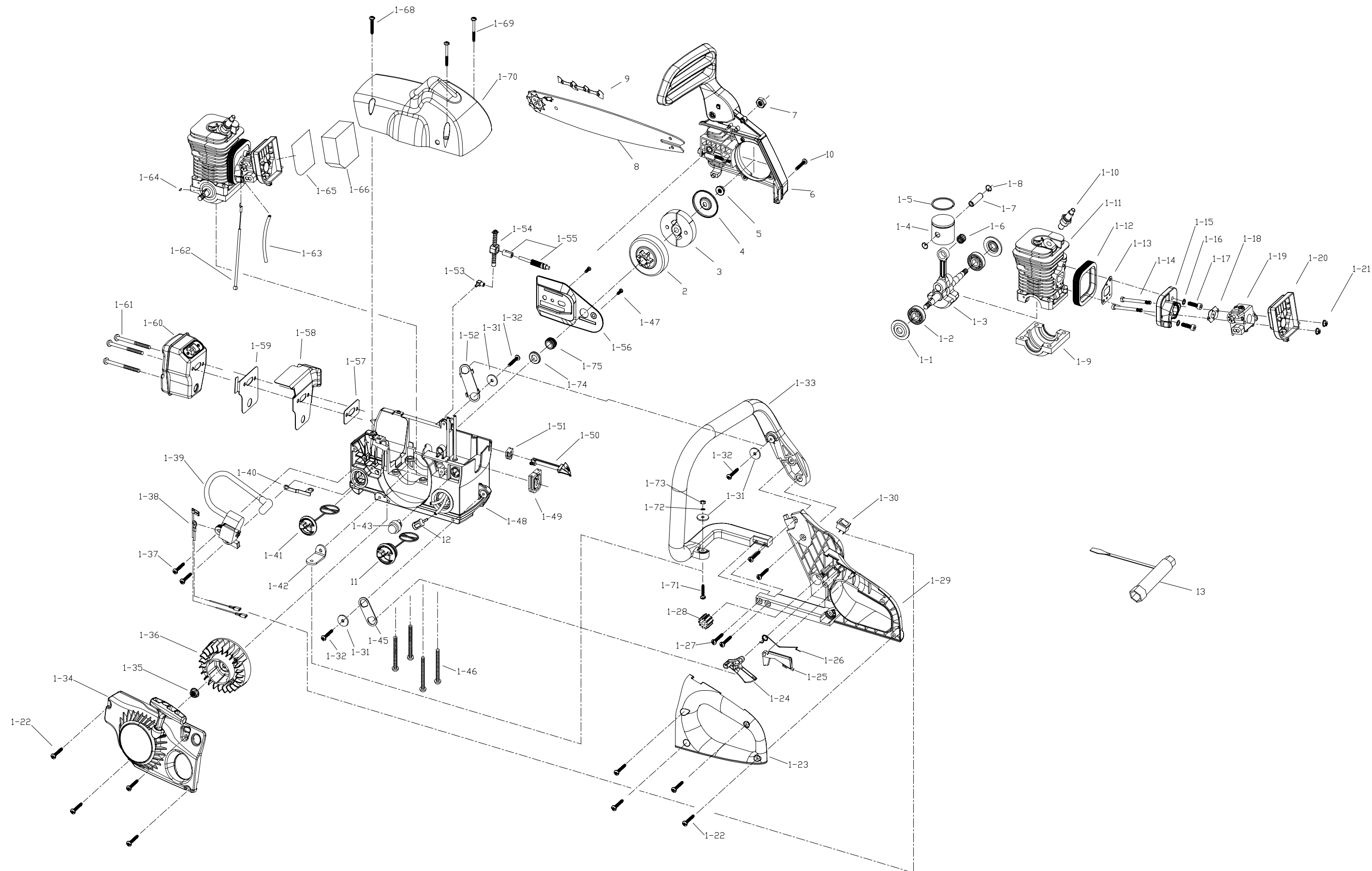




SERVICE SPARE PARTS LIST

SPECIFY MODEL NO. WHEN ORDERING PARTS	
36CC 14" GAS CHAIN SAW	
MODEL NO.	MS1436NAV / 41BY46NQ077

DATE	REVISED DATE	PAGE
4/12/2004	N/A	1/2





SERVICE SPARE PARTS LIST

SPECIFY MODEL NO. WHEN ORDERING PARTS		DATE	REVISED DATE	PAGE
36CC 14" GAS CHAIN SAW		4/12/2004	N/A	2/2
MODEL NO.	MS1436NAV / 41BY46NQ077			

No.	STK CODE	JFT Parts No.	Description	Q	No.	STK CODE	JFT Parts No.	Description	Q	No.	STK CODE	JFT Parts No.	Description	Q
1		MC-9238-MD0901	ENG ASS'Y	1	1-29	C	MC-9068-310502	HANDLE, REAR	1	1-59	C	MC-9082-310501	BAFFLE	1
1-1	B	MC-9157-310502	CAP, BEARING	2	1-30	A	MC-9022-310501	SWITCH	1	1-60	C	MC-9228-310504	MUFFLER ASS'Y	1
1-2	A	MC-9DB-620101	BEARING	2	1-31	B	MC-9WFB-05-21	WASHER	4	1-61	B	MC-9SXDB-06-70	SCREW	3
1-3	A	MC-9228-310505	CRANK/ROD ASS'Y	1	1-32	B	MC-9SKKBY8/16-0.625	SCREW	3	1-62	B	MC-9010-310502	CABLE, THROTTLE	1
1-4	B	MC-9290-310502	PISTON	1	1-33	C	MC-9068-310503	HANDLE, FRONT	1	1-63	B	MC-9129-310504	FUEL PIPE	1
1-5	B	MC-9189-310502	RING, PISTON	1	1-34	C	MC-9228-MD0901	STARTER HOUSING ASS'Y	1	1-64	A	MC-9221-310001	WOODRUFF KEY	1
1-6	A	MC-9NB-K101410	ROLLER, PISTON	1	1-35	B	MC-9NAB-5/16-24	NUT	1	1-65	B	MC-9183-310502	MESH	1
1-7	A	MC-9PC-10-34.5	PIN, PISTON	1	1-36	B	MC-9169-310501	FLYWHEEL	1	1-66	A	MC-9252-310501	FILTER, AIR	1
1-8	B	MC-9CA-10.3	RING	2	1-37	B	MC-9SKKBY8/16-0.75	SCREW	2	1-68	B	MC-9SKKBY-8/16-1	SCREW	1
1-9	C	MC-9072-310501F	CASE, CRANK	1	1-38	A	MC-9010-310503	WIRE ASS'Y	1	1-69	B	MC-9SKKBY8/16-1.4	SCREW	2
1-10	A	MC-9295-310502	SPARK PLUG	1	1-39	C	MC-9288-310501-CH	IGNITION ASS'Y	1	1-70	C	MC-9017-310509	SHROUD	1
1-11	C	MC-9292-310501F	CYLINDER	1	1-40	B	MC-9051-310501	CONDUCTIVE PLATE	1	1-71		MC-9SKKB-05-19	SCREW	1
1-12	B	MC-9012-310502	RUBBER, ISOLATOR	1	1-41	A	MC-9228-310207	OIL CAP ASS'Y	1	1-72		MC-6WSB-05	SPRING WASHER	1
1-13	B	MC-9082-310505	SPACER	1	1-42	B	MC-9043-MD1003	FIX PLATE	1	1-73		MC-9NAB-05	NUT	1
1-14	B	MC-9STDB-05-60	SCREW	2	1-43	A	MC-9142-310002	PRIMER	1	1-74	B	MC-9157-310501	FELT	1
1-15	C	MC-9082-310504	ISOLATOR, CARBURETOR	1	1-45	B	MC-9043-MD1002	FIX PLATE	1	1-75	B	MC-9073-310503	WORM	1
1-16	B	MC-6WSB-06	SPRING WASHER	2	1-46	B	MC-9SFAB-06-55	SCREW	4	2	C	MC-9228-310515	DRUM ASS'Y	1
1-17	B	MC-9SACB-06-25	SCREW	2	1-47	B	MC-6SDABB04-08	SCREW	2	3	C	MC-9228-310528	CLUTCH ASS'Y	1
1-18	B	MC-9082-310506	SPACER	1	1-48	C	MC-9228-310511	HOUSING ASS'Y	1	4	C	MC-9077-310501	CAP, ANTI-DUST	1
1-19	C	MC-9287-310501	CARBURETOR	1	1-49	C	MC-9012-310503	HOLDER, CABLE	1	5	B	MC-9NHC-09	NUT	1
1-20	B	MC-9228-310510	AIR FILTER ASS'Y	1	1-50	B	MC-9114-310510	LEVER, CHOKE (MTD BLUE)	1	6	C	MC-9228-310501	BRAKE KIT ASS'Y	1
1-21	B	MC-9NHZ-05	NUT	2	1-51	B	MC-9012-310504	HOLDER, CHOKE LEVEL	1	7	B	MC-9NAZ-5/16-18	NUT	1
1-22	B	MC-9SGKBY10/14-0.625	SCREW	8	1-52	B	MC-9043-MD1001	FIX PLATE	1	8	A	MC-9040-310510	BAR	1
1-23	C	MC-9068-310501	HANDLE, LEFT PART	1	1-53	B	MC-9124-310102	CONNECTOR	1	9	A	MC-6220-210803	CHAIN	1
1-24	A	MC-9028-310502	TRIGGER, THROTTLE	1	1-54	A	MC-9013-310501	OIL PIPE	1	10	B	MC-9SGKBY10/14-0.6	SCREW	1
1-25	A	MC-9028-310501	TRIGGER, RELEASE	1	1-55	B	MC-9228-310526	PUMP ASS'Y	1	11	C	MC-9228-310206	FUEL CAP ASS'Y	1
1-26	B	MC-9024-310504	SPRING	1	1-56	B	MC-9017-310508	CAP, ANTI-DUST	1	12	A	MC-9182-310001	FILTER	1
1-27	B	MC-9SKKBY10/14-0.68	SCREW	4	1-57	B	MC-9082-310507	SPACER	1	13		MC-9042-310201	WRENCH	1
1-28		MC-9027-310101	RUBBER	1	1-58	C	MC-9082-310502	BAFFLE	1					

Stocking Codes are:

A - Dealer stocked

B - Distributor stocked

C - Factory stocked

Free Manuals Download Website

<http://myh66.com>

<http://usermanuals.us>

<http://www.somanuals.com>

<http://www.4manuals.cc>

<http://www.manual-lib.com>

<http://www.404manual.com>

<http://www.luxmanual.com>

<http://aubethermostatmanual.com>

Golf course search by state

<http://golfingnear.com>

Email search by domain

<http://emailbydomain.com>

Auto manuals search

<http://auto.somanuals.com>

TV manuals search

<http://tv.somanuals.com>