



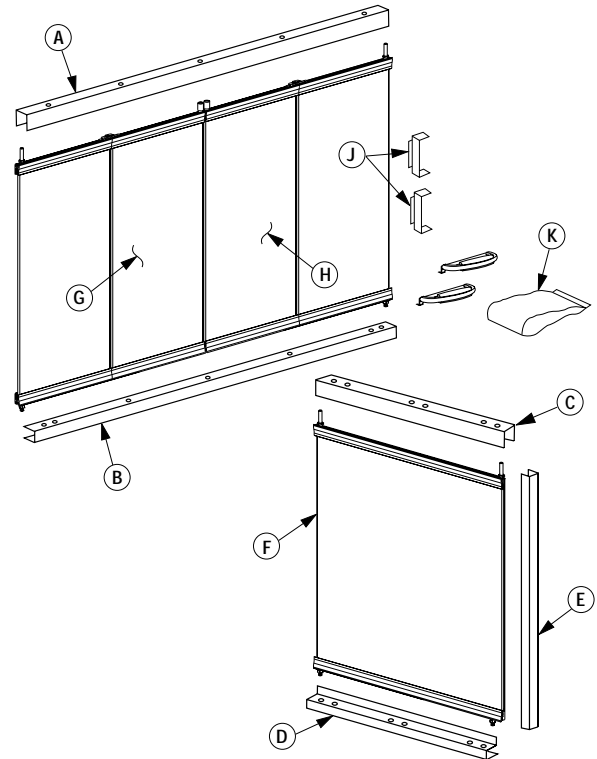
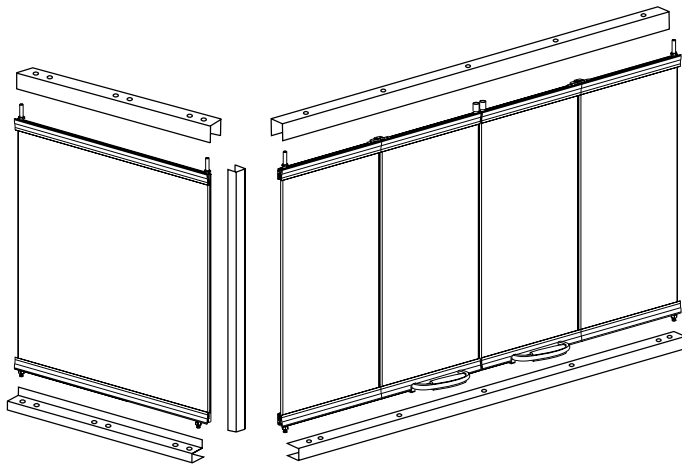
HEARTH PRODUCTS

FIREPLACE KITS AND ACCESSORIES

904665 REV. C 03/2008

GLASS DOOR/END PANEL

INSTALLATION INSTRUCTIONS FOR ABF GLASS DOOR/END PANEL PACKAGED SET MODELS 38ACR AND 38ACR-BB



Lennox's Glass Door/End Panel Packaged Set, Models 38ACR and 38ACR-BB, are designed to be installed on the CR-3835R/L Series fireplaces. These kits come complete with all of the required hardware necessary to complete the task.

Please read and understand these instructions carefully before beginning installation and operation. Do not attempt to alter or modify the construction of these glass door assemblies as it could cause a malfunction or possible fire hazard.

The Models 38ACR and 38ACR-BB have been tested and listed by Omni Test Laboratories, Inc.

PLEASE RETAIN THIS MANUAL FOR FUTURE REFERENCE.

GENERAL INFORMATION

Before starting the installation of the glass doors and end panel, assure the kit is complete and undamaged. Refer to Figure 1 and the inventory list to identify all necessary parts.

INVENTORY LIST

- A. (1) Top Channel (door)
- B. (1) Bottom Channel (door)
- C. (1) Top Channel (panel)
- D. (1) Bottom Channel (panel)
- E. (1) Corner Post
- F. (1) Glass End Panel
- G. Door Panel Assembly LH
- H. Door Panel Assembly RH
- J. (2) Baffles
- K. Hardware Kit (Including Handles) Installation Instructions

Figure 1

END PANEL INSTALLATION STEPS

Step 1. Remove the screen rod covers from the front and corner openings. Remove two angle retainers and replace screws.

Note: Units are shipped without covers installed.

Step 2. Refer to Figure 2 and remove the top two outer screws and loosen the bottom screws at least two (2) turns. Remove corner shipping post, if installed.

CAUTION: REMOVE THE PLASTIC PROTECTIVE COATING FROM ALL BRASS PIECES BEFORE INSTALLATION.



NOTE: DIAGRAMS & ILLUSTRATIONS NOT TO SCALE

TOOLS REQUIRED

- Phillips screwdriver (small or medium)

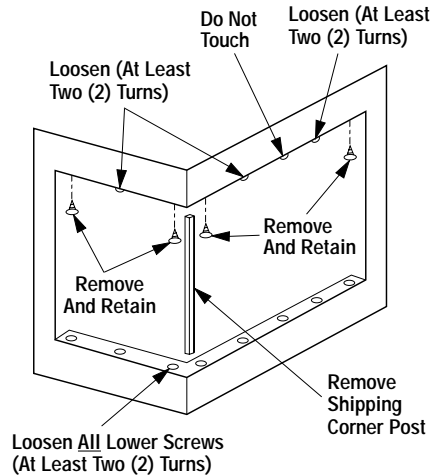


Figure 2

Step 3. Slide the end panel bottom channel into position and tighten the end screws that were previously loosened. Install the top track over the middle screw and secure with the screws removed and retained in Step 2.

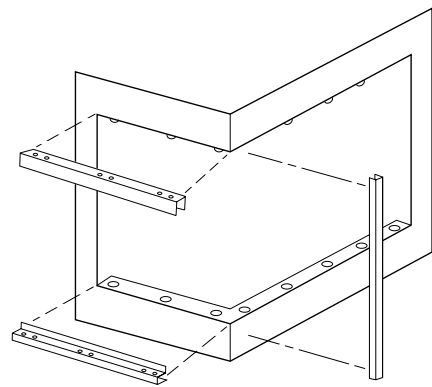


Figure 3

Step 4. Refer to Figures 3 and 4 and install the corner post to the ends of the end panel top and bottom channels. Secure it in place with two screws from the hardware kit.

Step 5. Insert the upper pins of the end panel assembly into the holes in the top channel. Swing the bottom portion of the end panel over the bottom channel and insert the lower pins into the bottom channel.

Note: The pins on the glass end panel require repositioning when the door is fitted into an opposing right or left hand opening. To shift the pins, loosen the pins using a 3/8" open end wrench and slide the pins as required along the frame channel. Position the door squarely within the opening equally gapped at the right and left sides and secure the pins in place by tightening with the wrench.

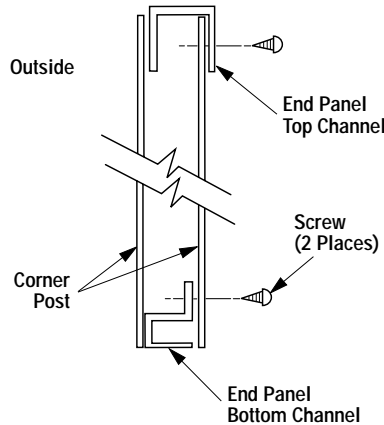


Figure 4

BI-FOLD DOOR INSTALLATION STEPS

Step 1. Attach the polished metal and wooden handle assemblies to the lower door frames (Figure 5). Use the No. 8-32 x 1/4 Phillips pan head screws and associated nuts provided in the hardware kit. There is a single screw and nut for use with each handle assembly. Slide the nuts into the frame channel and insert the screws through the handle brackets and then into the nuts. Position the handle assemblies approximately as shown on the front page of this document and tighten the screws to secure the handles in place.

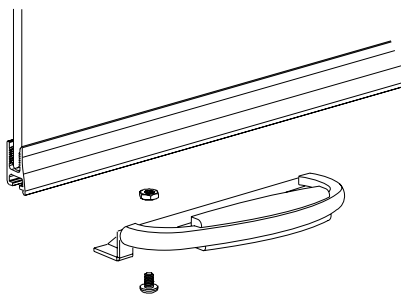


Figure 5

CAUTION: DO NOT OVER-TIGHTEN HANDLE SCREWS.

Step 2. Install two (2) baffles, one above the other with the black No. 8-15 x 1/2" Phillips pan head screws from the hardware kit (Figure 6).

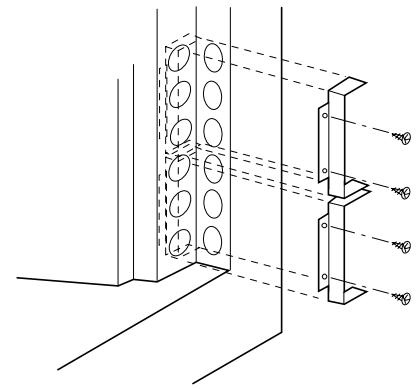


Figure 6

Step 3. Refer to Figures 2 and 7 and slide the door bottom channel into position. Secure by tightening screws previously loosened through the holes provided on the top face of the channel. Install the door top channel over the middle screw and secure it in place with four screws, two screws previously removed and two screws previously loosened.

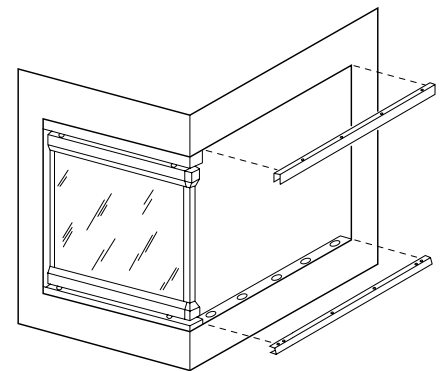


Figure 7

Step 4. Starting with either the right or left door assembly. Engage the hinge pin into the hole in the clip within the top door channel. The roller pin must be positioned within the upper door guide track (Figures 8 and 9).

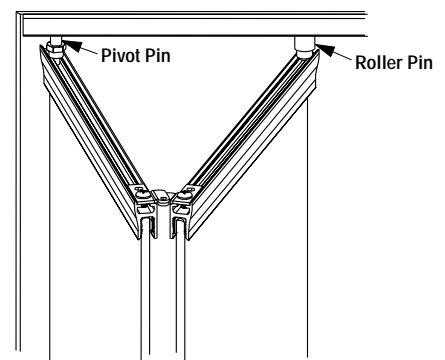


Figure 8

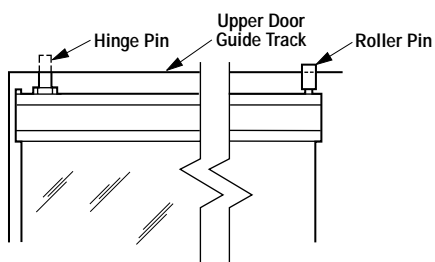


Figure 9

Step 5. Lift and swing the lower corner of the door over the hole in the bottom door channel and engage the shorter hinge pin into this hole (Figures 10 and 11).

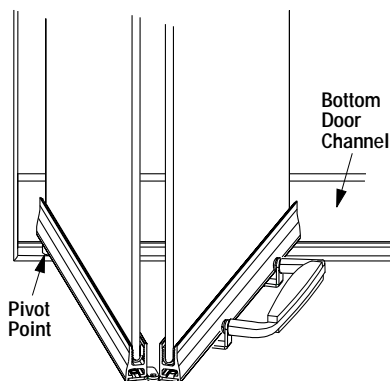


Figure 10

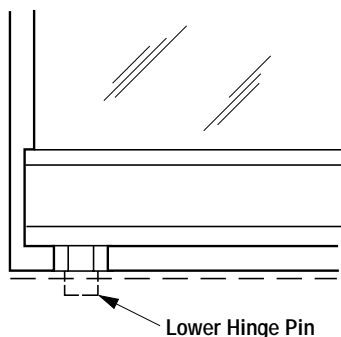


Figure 11

Step 6. Repeat this procedure for the opposite door assembly.

ADJUSTMENT FOR DOOR ALIGNMENT

The doors are properly adjusted when the top door trim is in a straight, level line and the gap between the doors is even at the top and bottom. If adjustments are required, grasp the door handle and loosen the lower door hinge pin using a 3/8" open end wrench*. Slide the door panel on the hinge pin until the gap between the upper door trim and upper frame is even. Retighten the lower door hinge pin*. Repeat this procedure for the opposite door if needed.

**Note: Upper door hinge pins can also be loosened for adjustment purposes; however, it is easier to loosen lower pins.*

GENERAL OPERATING PRECAUTIONS AND INSTRUCTIONS

CAUTION: THESE GLASS DOORS ARE LISTED ONLY FOR USE WITH THE SUPERIOR FIREPLACE OR APPLIANCE MODELS SHOWN. USE ON ANY OTHER FIREPLACE OR APPLIANCE MAY CONSTITUTE A POTENTIAL FIRE HAZARD.

- Avoid building extremely large fires as the tempered glass could become damaged.
- Use fireplace tools carefully to avoid striking the glass.
- Keep wire mesh screens closed during fireplace use.
- The fireplace flue damper must remain open until fire is completely out.
- Assure wood and embers are well within the confines of the grate area and well away from the glass doors.
- Keep glass doors closed at night when retiring to minimize the loss of heated room air up the vent.

CAUTION: THE CORNER FIREPLACE OR APPLIANCE SHOULD ONLY BE OPERATED WITH THE BI-FOLD GLASS DOORS FULLY OPEN OR FULLY CLOSED (FIGURE 12).

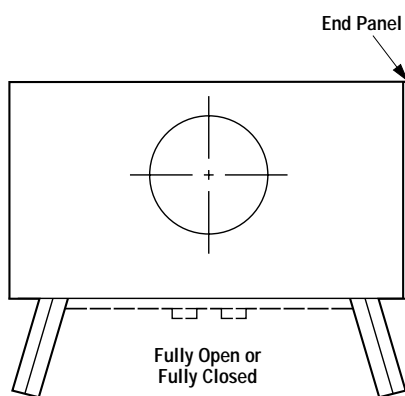


Figure 12

CAUTION: GLASS AND METAL FRAMES GET HOT — ALWAYS USE HANDLES TO OPEN AND CLOSE THE DOORS.

CLEANING

NEVER CLEAN THE GLASS WHEN THE DOORS ARE HOT. DO NOT USE AMMONIA OR ANY AMMONIA BASED GLASS OR HOUSEHOLD CLEANER TO CLEAN THE GLASS OR THE DOOR FRAME. AN AMMONIA BASED CLEANER WILL DAMAGE THE FINISH.

Remove dirt and grime from the doors using a clean dampened towel followed by wiping with a dry towel. To remove stubborn stains from the doors, use a mild soap solution and towel to gently scrub away stain. Take care not to scratch the glass surface. Do not use abrasive cleaners.

IMPORTANT

These glass doors utilize tempered glass which is designed for use with high temperatures but can unexpectedly shatter. DO NOT SIT CLOSE TO THE GLASS.

Tempered glass will break into small particles if it should shatter unexpectedly. If the glass breaks, particles of extremely hot glass could be discharged into the surrounding environment, thereby creating a risk of personal injury or fire. Observation of the above operating precautions and instructions will reduce the risk of personal injury or fire.

Extreme temperature changes can cause breakage — do not build a hot fire and close the doors if the doors are cold.

If the tempered glass pane becomes scratched or chipped, it creates a weakness in the glass which can cause the glass to break when heated. Replace the pane of glass by contacting your nearest LHP Distributor. For the name of your nearest distributor contact:

LENNOX HEARTH PRODUCTS
1110 West Taft Avenue
Orange, CA 92865

WARNING: DO NOT BURN TRASH, CONSTRUCTION SCRAPS, RAILROAD TIES, OR OTHER HIGHLY-FLAMMABLE MATERIAL IN THE FIREPLACE. INTENSE HEAT CAN CAUSE THE GLASS TO LOSE STRENGTH AND RESILIENCE WHICH WILL RESULT IN GLASS BREAKAGE.

The manufacturer reserves the right to make changes at any time, without notice, in design, materials, specifications, prices and also to discontinue colors, styles and products.
Consult your local distributor for fireplace code information.



HEARTH PRODUCTS

1110 West Taft Avenue • Orange, CA 92865

Printed in U.S.A. © 1999 by LENNOX HEARTH PRODUCTS
P/N 904665 REV. C 03/2008

Free Manuals Download Website

<http://myh66.com>

<http://usermanuals.us>

<http://www.somanuals.com>

<http://www.4manuals.cc>

<http://www.manual-lib.com>

<http://www.404manual.com>

<http://www.luxmanual.com>

<http://aubethermostatmanual.com>

Golf course search by state

<http://golfingnear.com>

Email search by domain

<http://emailbydomain.com>

Auto manuals search

<http://auto.somanuals.com>

TV manuals search

<http://tv.somanuals.com>