



SERVICE PARTS LIST

BUL. 54-22-0071

1 H.P. BENCH GRINDER

REVISED BUL. DATE
Jan. '76

Catalog No. 5080

MODEL REF. NO. **63923-D**

WIRING INSTRUCTIONS

PARTS ORDERS MUST INCLUDE:
 CATALOG NO. (FROM NAMEPLATE)
 MODEL REF. NO. (FROM NAMEPLATE)
 PART NO.
 DESCRIPTION
 QUANTITY REQUIRED

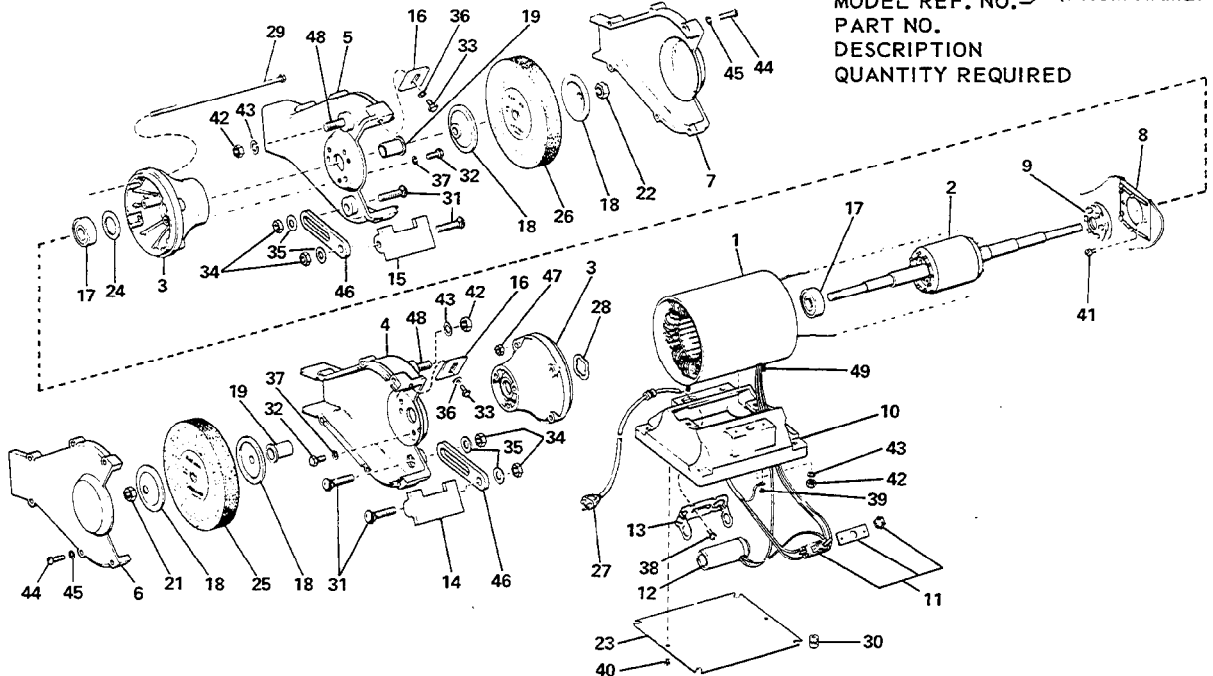


FIG.	PART NO.	DESCRIPTION	NO. REQ.	FIG.	PART NO.	DESCRIPTION	NO. REQ.
1	23-58-0360	Wound Stator with Frame	(1)	26	—	Grinding Wheel (See Catalog)	(1)
2	23-40-0330	Rotor and Shaft Assembly	(1)	27	22-64-0121	Cord with Plug	(1)
3	42-25-0235	End Shield	(2)	28	40-50-7662	Finger Spring	(1)
4	43-54-0146	L.H. Wheel Guard	(1)	29	06-92-0350	10-32x11-1/8 Long Thru Bolt	(4)
5	43-54-0145	R.H. Wheel Guard	(1)	30	42-38-0085	Rubber Base Bumper	(4)
6	42-92-0125	Wheel Guard Cover	(1)	31	06-10-1275	3/8-16x1-3/8 Carriage Bolt	(4)
7	42-92-0125	Wheel Guard Cover	(1)	32	06-75-4650	3/8-16x7/8 Hex. Hd. Bolt	(6)
8	—	Stationary Switch	(1)	33	06-75-0073	1/4-20x3/8 Hex. Hd. Bolt	(2)
9	—	Rotating Switch	(1)	34	06-55-2400	3/8-16 Hex. Nut	(4)
10	42-20-0275	Base	(1)	35	45-88-5261	3/8 Flat Washer	(4)
11	23-66-0100	On-Off Switch	(1)	36	06-97-4000	1/4 Lock Washer	(2)
12	22-33-0050	Capacitor	(1)	37	06-97-4125	3/8 Lock Washer	(6)
13	22-40-0010	Capacitor Bracket	(1)	38	06-81-2810	10-32x1/2 Flat Hd. Screw	(1)
14	44-85-0125	L.H. Tool Rest	(1)	39	06-81-4567	8-32x3/8 Brass Screw	(1)
15	44-85-0115	R.H. Tool Rest	(1)	40	06-81-0275	10-32x3/8 Pan Hd. Screw	(2)
16	43-54-0080	Spark Guard	(2)	41	06-81-0450	8-32x3/8 Pan Hd. Screw	(2)
17	02-04-5055	Bearing	(2)	42	06-55-1990	5/16-18 Hex. Hd. Nut	(4)
18	43-34-0151	Wheel Flange	(4)	43	45-88-5245	5/16 Flat Washer	(4)
19	45-36-0571	Spacer Sleeve	(2)	44	06-81-4750	1/4-20x1 Round Hd. Screw	(12)
21	06-55-3725	L.H. 3/4-16 Hex. Nut	(1)	45	06-97-4000	1/4 Lock Washer	(12)
22	06-55-3700	R.H. 3/4-16 Hex. Nut	(1)	46	42-36-0030	Tool Rest Support	(2)
23	42-92-0055	Base Cover	(1)	47	06-57-6060	10-32 Whiz Lock Nut	(4)
24	45-14-0121	Shim	(1)	48	06-10-3230	5/16-18x1-3/8 Carriage Bolt	(2)
25	—	Grinding Wheel (See Catalog)	(1)	49	06-10-3200	5/16-18x7/8 Carriage Bolt	(2)

Free Manuals Download Website

<http://myh66.com>

<http://usermanuals.us>

<http://www.somanuals.com>

<http://www.4manuals.cc>

<http://www.manual-lib.com>

<http://www.404manual.com>

<http://www.luxmanual.com>

<http://aubethermostatmanual.com>

Golf course search by state

<http://golfingnear.com>

Email search by domain

<http://emailbydomain.com>

Auto manuals search

<http://auto.somanuals.com>

TV manuals search

<http://tv.somanuals.com>