

# Nikon

# NIKKOR

## AF-S NIKKOR 50mm f/1.4G

使用説明書	P.2	Руководство пользователя	СТР.50
User's Manual	P.10	Gebruikshandleiding	P.58
Benutzerhandbuch	S.18	Manuale d'uso	P.66
Manuel d'utilisation	P.26	使用说明书	P.74
Manual del usuario	P.34	使用説明書	P.84
Användarhandbok	S.42	사용설명서	P.92

Jp

En

De

Fr

Es

Sv

Ru

Nl

It

Ck

Ch

Kr

## Notes on Safety Operations

---

### CAUTION

En

#### Do not disassemble

Touching the internal parts of the camera or lens could result in injury. Repairs should be performed only by qualified technicians. Should the camera or lens break open as the result of a fall or other accident, take the product to a Nikon-authorized service representative for inspection after unplugging the product and/or removing the battery.

#### Turn off immediately in the event of malfunction

Should you notice smoke or an unusual smell coming from the camera or lens, remove the battery immediately, taking care to avoid burns. Continued operation could result in injury.

After removing or disconnecting the power source, take the product to a Nikon-authorized service representative for inspection.

#### Do not use the camera or lens in the presence of flammable gas

Operating electronic equipment in the presence of flammable gas could result in an explosion or fire.

#### Do not look at the sun through the lens or viewfinder

Viewing the sun or other strong light sources through the lens or viewfinder could cause permanent visual impairment.

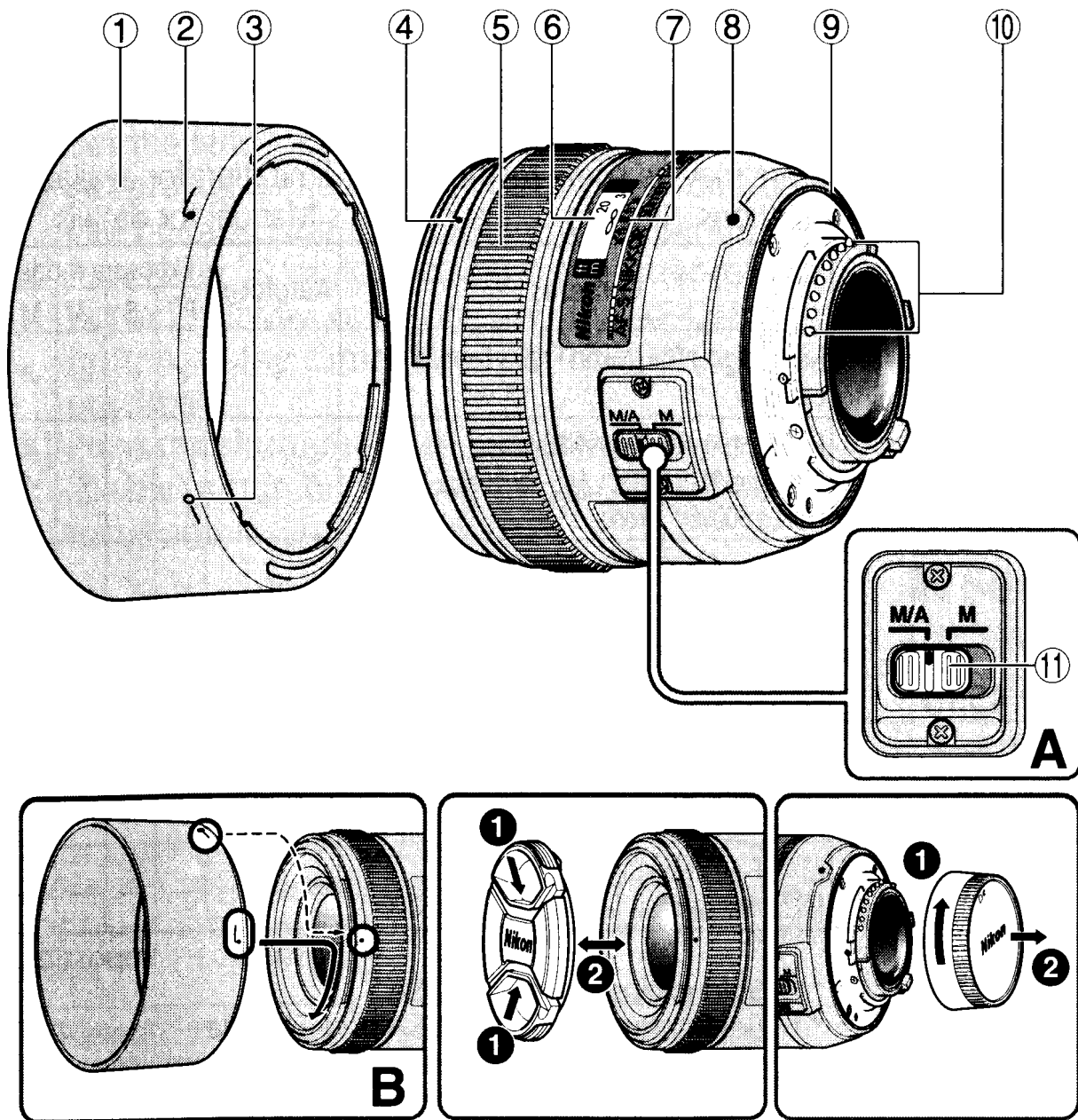
#### Keep out of reach of children

Particular care should be taken to prevent infants from putting the batteries or other small parts into their mouths.

#### Observe the following precautions when handling the camera and lens

- Keep the camera and lens unit dry. Failure to do so could result in fire or electric shock.
- Do not handle or touch the camera or lens unit with wet hands. Failure to do so could result in electric shock.
- When shooting with back-lighting, do not point the lens at the sun or allow sunlight to pass directly down the lens as this may cause the camera to overheat and possibly cause a fire.
- When the lens will not be used for an extended period of time, attach both front and rear lens caps and store the lens away from direct sunlight. Failure to do so could result in a fire, as the lens may focus sunlight onto a flammable object.

## ■ Nomenclature



- ① Lens hood (p.14)
- ② Lens hood attachment index (p.14)
- ③ Lens hood setting index (p.14)
- ④ Lens hood mounting index (p.14)
- ⑤ Focus ring (p.13)
- ⑥ Distance scale (p.13)
- ⑦ Distance index line (p.13)
- ⑧ Mounting index
- ⑨ Lens mount rubber gasket (p.15)
- ⑩ CPU contacts (p.15)
- ⑪ Focus mode switch (p.13)

( ): reference page

Thank you for purchasing the AF-S NIKKOR 50mm f/1.4G lens. Before using this lens, please read these instructions and refer to your camera's *User's Manual*.

En

## ■ Major features

- This lens employs a Silent Wave Motor to drive the focusing mechanism, making autofocus smooth, silent and almost instantaneous. The focus mode switch (11) is provided for simple selection of autofocus (A) or manual focus (M) operation.
- More accurate exposure control is possible when this is mounted on a Nikon camera with 3D color matrix metering capability, because subject distance information is transferred from the lens to the camera.
- The rounded aperture produces soft and pleasing blur characteristics in portions of pictures that are out-of-focus.
- The closest focusing distance possible is 0.45 m (1.5 ft.)

## Important

- When mounted on Nikon DX format digital SLR cameras, such as the D300-Series and D90, the lens' picture angle becomes 31°30' and its 35mm equivalent focal length is approx. 75 mm.

## ■ Usable cameras and available functions

There may be some restrictions or limitation for available functions. Refer to camera's *User's Manual* for details.

Cameras	Autofocus	Exposure mode			
		P*1	S	A	M
Nikon digital SLR (Nikon FX/DX format) cameras	✓	✓	✓	✓	✓
F6, F5, F100, F80-Series/N80-Series*, F75-Series/N75-Series*, F65-Series/N65-Series*, Pronea 600i/6i*, Pronea S*2	✓	✓	✓	✓	✓
F4-Series, F90X/N90s*, F90-Series/N90*, F70-Series/N70*	✓	✓	✓	—	—
F60-Series/N60*, F55-Series/N55-Series*, F50-Series/N50*, F-401x/N5005*, F-401s/N4004s*, F-401/N4004*	—	✓	✓	✓	✓
F-801s/N8008s*, F-801/N8008*, F-601m/N6000*	—	✓	✓	—	—
F3AF, F-601/N6006*, F-501/N2020**, Nikon MF cameras (except F-601m/N6000*)	—	—	—	—	—

✓: Possible —: Impossible

\*: Sold exclusively in the USA

\*\* : Sold exclusively in the USA and Canada

\*1: P includes AUTO and Vari-Program System.

\*2: Manual (M) is not available.

## ■ Focusing (Fig. A)

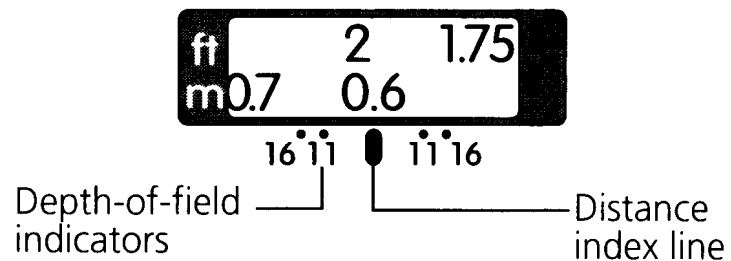
Set your camera's focus mode selector according to the chart below:

### Autofocus with manual override (M/A mode)

- 1 Set the lens focus mode switch ⑪ to **M/A**.
- 2 Autofocus is enabled, but autofocus operation can be overridden by rotating the separate focus ring ⑤ while pressing the shutter-release button halfway, or by pressing the AF-ON button on the camera body of cameras so equipped.
- 3 Press the shutter-release button halfway or the AF-ON button once again to cancel manual focus and resume autofocus.

## ■ Depth of field

- Approximate depth of field can be determined by checking the depth of field scale.
- If your camera has a depth-of field preview (stop-down) button or lever, depth of field can be previewed through the camera viewfinder.
- For more information, see p. 100.



## ■ Setting the aperture

Use the camera to adjust the aperture setting.

Cameras	Camera focus mode	Lens' focus mode switch	
		M/A	M
Nikon digital SLR (Nikon FX/DX format) cameras, F6, F5, F4-Series, F100, F90X/N90s*, F90-Series/N90*, F80-Series/N80-Series*, F75-Series/N75-Series*, F70-Series/N70*, F65-Series/N65-Series*, Pronea 600i/6i*, Pronea S	AF (C/S)	Autofocus with manual override	Manual focus (Electronic rangefinder can be used.)
	MF	Manual focus (Electronic rangefinder can be used.)	
F60-Series/N60*, F55-Series/N55-Series*, F50-Series/N50*, F-801s/N8008s*, F-801/N8008*, F-601m/N6000*, F-401x/N5005*, F-401s/N4004s*, F-401/N4004*	AF (C/S) MF	Manual focus (Electronic rangefinder can be used, except with the F-601m/N6000.*)	

\* Sold exclusively in the USA

## ■ The built-in flash and vignetting

- The built-in flash cannot be used over distances of less than 0.6 m (2.0 ft.).
- To prevent vignetting, do not use the lens hood.
- \* Vignetting is the darkening of the corners around the image that occurs when the light emitted by the flash is obstructed by the lens hood, or lens barrel, depending on the shooting distance.

## ■ Using the lens hood

### Attaching the hood

Align the lens hood attachment index (☐, either of two indexes) ② on the hood with the lens hood mounting index ④ on the lens, and turn the hood counterclockwise (as viewed when holding the camera with the lens facing away from you) until it clicks into place (Fig. B).

- Be sure that the lens hood mounting index is aligned with the lens hood setting index (—○) ③.
- If the lens hood is not correctly attached, vignetting may occur.
- To facilitate attachment or removal of the hood, hold it by the base (near the lens hood attachment index) rather than its outer edge.
- To store the lens hood, attach it in the reverse position.

### Detaching the hood

Hold the lens hood by the base (near the lens hood attachment index) and turn clockwise, as viewed when holding the camera with the lens facing away from you, to detach.

## ■ Recommended focusing screens

Various interchangeable focusing screens are available for certain Nikon SLR cameras to suit any picture-taking situation. The ones recommended for use with this lens are:

Screen Camera	A	B	C	E	EC-B EC-E	G1	G2	G3	G4	J	L	M	U
F6	⊙	⊙	—	⊙	—	—	—	—	—	⊙	⊙		
F5+DP-30	⊙	⊙		⊙	⊙		⊙	○		⊙	⊙		
F5+DA-30	⊙	⊙		⊙	⊙		⊙	⊙		⊙	⊙		

⊙: Excellent focusing

○: Acceptable focusing

Slight vignetting or moiré patterns appear in the viewfinder, but not on the film.

—: Not available

Blank box means not applicable. Since type M screen can be used for both macrophotography at a magnification ratio of 1:1 or above and for photomicrography, it has different applications than other screens.

### Important

- For F6 cameras, when using screens other than type B or E, "Other screen" must be selected in Custom Setting. Refer to camera's User's Manual for details.

- For F5 cameras, only EC-B, EC-E, B, E, J, A, L focusing screens are usable in Matrix Metering.
- When using the B and E focusing screens in cameras other than those listed above, refer to the columns for the B and E screens.

## ■ Lens care

- Be careful not to allow the CPU contacts ⑩ to become dirty or damaged.
- If the lens mount rubber gasket ⑨ is damaged, be sure to visit the nearest Nikon-authorized service representative for repair.
- Clean lens surfaces with a blower brush. To remove dirt and smudges, use a soft, clean cotton cloth or lens tissue moistened with ethanol (alcohol) or lens cleaner. Wipe in a circular motion from the center to outer edge, taking care not to leave traces or touch other parts of the lens.
- Never use organic solvent such as thinner or benzene to clean the lens.
- NC filters are available to protect the front lens element. The lens hood also helps to protect the front of the lens.
- When storing the lens in its flexible lens pouch, attach both the front and rear lens caps.
- When the lens is mounted on a camera, do not pick up or hold the camera and lens by the lens hood.

- When the lens will not be used for an extended period of time, store it in a cool, dry place to prevent mold and rust. Be sure to store the lens away from direct sunlight or chemicals such as camphor or naphthalene.
- Do not get water on the lens or drop it in water as this will cause it to rust and malfunction.
- Reinforced plastic is used for certain parts of the lens. To avoid damage, never leave the lens in an excessively hot place.

## ■ Standard accessories

- 58mm snap-on Front Lens Cap LC-58
- Rear Lens Cap LF-1
- Bayonet Hood HB-47
- Flexible Lens Pouch CL-1013

## ■ Optional accessory

- 58mm screw-on filters

## ■ Specifications

<b>Type of lens:</b>	G-type AF-S NIKKOR lens with built-in CPU and Nikon bayonet mount
<b>Focal length:</b>	50mm
<b>Maximum aperture:</b>	f/1.4
<b>Lens construction:</b>	8 elements in 7 groups
<b>Picture angle:</b>	46° with 35mm (135) format Nikon film SLR cameras and Nikon FX format digital SLR cameras 31°30' with Nikon DX format digital SLR cameras 38° with IX240 system cameras
<b>Distance information:</b>	Output to camera
<b>Focusing:</b>	Autofocus using a Silent Wave Motor; manually via separate focus ring
<b>Shooting distance scale:</b>	Graduated in meters and feet from 0.45 m (1.75 ft.) to infinity ( $\infty$ )
<b>Closest focusing distance:</b>	0.45 m (1.5 ft.)
<b>No. of diaphragm blades:</b>	9 pcs. (rounded)
<b>Diaphragm:</b>	Fully automatic

<b>Aperture range:</b>	f/1.4 to f/16
<b>Exposure measurement:</b>	Via full-aperture method
<b>Attachment size:</b>	58mm (P = 0.75 mm)
<b>Dimensions:</b>	Approx. 73.5 mm dia. x 54 mm (extension from the camera's lens-mount flange)
<b>Weight:</b>	Approx. 280 g (9.9 oz)

*Specifications and designs are subject to change without notice or obligation on the part of the manufacturer.*



■ 被写界深度表 ■ Depth of field ■ Schärfentiefentabelle ■ Profondeur de champ ■ Profundidad de campo ■ Skärpedjup  
 ■ Глубина резкости ■ Scherptediepte ■ Profondità di campo ■ 景深刻度表 ■ 景深刻度表 ■ 초점 심도 (m)

	• 攝影距離 • Focused distance • Eingestellte Entfernung • Distance de mise au point • Distancia de enfoque • Fokusavstånd • Дистанция съемки • Scherptelafstand • Distanza messa a fuoco • 对焦距离 • 對焦距離 • 초점비			• 被写界深度 • Depth of field • Schärfentiefe • Profondeur de champ • Profundidad de campo • Skärpedjup • Глубина резкости • Scherptediepte • Profondità di campo • 景深 • 景深 • 심도			• 攝影倍率 • Reproduction ratio • Abbildungsmaßstab • Rapport de reproduction • Relación de reproducción • Reproduktionsratio • Масштаб съемки • Reproductieverhouding • Rapporto di riproduzione • 成像率 • 重現比率 • 복사율		
	f/1.4	f/2	f/2.8	f/4	f/5.6	f/8	f/11	f/16	
0.45	0.45 – 0.45	0.45 – 0.45	0.45 – 0.45	0.44 – 0.46	0.44 – 0.46	0.44 – 0.46	0.43 – 0.47	0.43 – 0.48	1/6.8
0.5	0.50 – 0.50	0.50 – 0.50	0.49 – 0.51	0.49 – 0.51	0.49 – 0.51	0.48 – 0.52	0.48 – 0.53	0.47 – 0.54	1/7.7
0.6	0.60 – 0.60	0.59 – 0.61	0.59 – 0.61	0.59 – 0.61	0.58 – 0.62	0.57 – 0.63	0.57 – 0.64	0.55 – 0.66	1/9.7
0.7	0.69 – 0.71	0.69 – 0.71	0.69 – 0.71	0.68 – 0.72	0.67 – 0.73	0.66 – 0.74	0.65 – 0.76	0.63 – 0.79	1/11.7
1	0.99 – 1.02	0.98 – 1.02	0.97 – 1.03	0.96 – 1.04	0.94 – 1.06	0.92 – 1.09	0.90 – 1.14	0.86 – 1.21	1/17.5
1.5	1.46 – 1.54	1.45 – 1.55	1.43 – 1.57	1.41 – 1.61	1.37 – 1.66	1.32 – 1.74	1.26 – 1.86	1.19 – 2.07	1/27.2
3	2.85 – 3.16	2.80 – 3.23	2.73 – 3.34	2.63 – 3.50	2.50 – 3.76	2.34 – 4.21	2.15 – 5.07	1.93 – 7.16	1/56.3
∞	55.19 – ∞	40.04 – ∞	28.43 – ∞	20.07 – ∞	14.27 – ∞	10.09 – ∞	7.17 – ∞	5.10 – ∞	1 / ∞

■ Depth of field

(ft.)

	Focused distance		Depth of field				Reproduction ratio		
	f/1.4	f/2	f/2.8	f/4	f/5.6	f/8	f/11	f/16	
1.75	1 ft. 8-14/16 in.	1 ft. 8-12/16 in.	1 ft. 8-12/16 in.	1 ft. 8-10/16 in.	1 ft. 8-8/16 in.	1 ft. 8-4/16 in.	1 ft. 7-15/16 in.	1 ft. 7-9/16 in.	1/8.4
	— 1 ft. 9-2/16 in.	— 1 ft. 9-4/16 in.	— 1 ft. 9-4/16 in.	— 1 ft. 9-6/16 in.	— 1 ft. 9-10/16 in.	— 1 ft. 9-13/16 in.	— 1 ft. 10-3/16 in.	— 1 ft. 10-11/16 in.	
2	1 ft. 11-12/16 in.	1 ft. 11-12/16 in.	1 ft. 11-10/16 in.	1 ft. 11-8/16 in.	1 ft. 11-4/16 in.	1 ft. 10-15/16 in.	1 ft. 10-9/16 in.	1 ft. 10-1/16 in.	1/9.9
	— 2 ft. 4/16 in.	— 2 ft. 4/16 in.	— 2 ft. 6/16 in.	— 2 ft. 10/16 in.	— 2 ft. 13/16 in.	— 2 ft. 1-3/16 in.	— 2 ft. 1-11/16 in.	— 2 ft. 2-6/16 in.	
2.5	2 ft. 5-10/16 in.	2 ft. 5-8/16 in.	2 ft. 5-6/16 in.	2 ft. 5-3/16 in.	2 ft. 4-13/16 in.	2 ft. 4-5/16 in.	2 ft. 3-12/16 in.	2 ft. 2-14/16 in.	1/12.9
	— 2 ft. 6-6/16 in.	— 2 ft. 6-8/16 in.	— 2 ft. 6-10/16 in.	— 2 ft. 6-15/16 in.	— 2 ft. 7-5/16 in.	— 2 ft. 7-15/16 in.	— 2 ft. 8-14/16 in.	— 2 ft. 10-3/16 in.	
3	2 ft. 11-8/16 in.	2 ft. 11-4/16 in.	2 ft. 11-1/16 in.	2 ft. 10-11/16 in.	2 ft. 10-3/16 in.	2 ft. 9-8/16 in.	2 ft. 8-8/16 in.	2 ft. 7-5/16 in.	1/15.8
	— 3 ft. 8/16 in.	— 3 ft. 12/16 in.	— 3 ft. 15/16 in.	— 3 ft. 1-7/16 in.	— 3 ft. 2-1/16 in.	— 3 ft. 3 in.	— 3 ft. 4-5/16 in.	— 3 ft. 6-10/16 in.	
4	3 ft. 11-1/16 in.	3 ft. 10-13/16 in.	3 ft. 10-5/16 in.	3 ft. 9-10/16 in.	3 ft. 8-10/16 in.	3 ft. 7-7/16 in.	3 ft. 5-14/16 in.	3 ft. 3-12/16 in.	1/21.8
	— 4 ft. 15/16 in.	— 4 ft. 1-5/16 in.	— 4 ft. 1-15/16 in.	— 4 ft. 2-12/16 in.	— 4 ft. 3-15/16 in.	— 4 ft. 5-12/16 in.	— 4 ft. 8-10/16 in.	— 5 ft. 1-3/16 in.	
7	6 ft. 9-2/16 in.	6 ft. 8-1/16 in.	6 ft. 6-10/16 in.	6 ft. 4-7/16 in.	6 ft. 1-13/16 in.	5 ft. 10-5/16 in.	5 ft. 5-14/16 in.	5 ft. 10/16 in.	1/39.5
	— 7 ft. 3-2/16 in.	— 7 ft. 4-5/16 in.	— 7 ft. 6-6/16 in.	— 7 ft. 9-4/16 in.	— 8 ft. 1-11/16 in.	— 8 ft. 9 in.	— 9 ft. 9-4/16 in.	— 11 ft. 8-14/16 in.	
20	18 ft. 12/16 in.	17 ft. 5-1/16 in.	16 ft. 6-10/16 in.	15 ft. 5-4/16 in.	14 ft. 1-7/16 in.	12 ft. 7-1/16 in.	10 ft. 11-4/16 in.	9 ft. 2-14/16 in.	1/116.3
	— 22 ft. 5-1/16 in.	— 23 ft. 6 in.	— 25 ft. 3-15/16 in.	— 28 ft. 6-4/16 in.	— 34 ft. 7-7/16 in.	— 50 ft. 1-3/16 in.	— 136 ft. 2-6/16 in.	— ∞	
∞	180 ft. 9 in.	131 ft. 2-6/16 in.	93 ft. 2-4/16 in.	65 ft. 9-13/16 in.	46 ft. 9-8/16 in.	33 ft. 1-1/16 in.	23 ft. 6-2/16 in.	16 ft. 8-10/16 in.	1/∞
	— ∞	— ∞	— ∞	— ∞	— ∞	— ∞	— ∞	— ∞	

# **Nikon**

使用説明書の内容が破損などによって判読できなくなったときは、ニコンサービス機関にて新しい使用説明書をお求め下さい（有料）。

No reproduction in any form of this manual, in whole or in part (except for brief quotation in critical articles or reviews), may be made without written authorization from NIKON CORPORATION.

## **NIKON CORPORATION**

Fuji Bldg., 2-3 Marunouchi 3-chome,  
Chiyoda-ku, Tokyo 100-8331, Japan

---

© 2008 Nikon Corporation



Printed in China

TT9J03(C2)

7MAA56C2-03 ▲ G01

**Please send products and other  
correspondence to:**

Nikon Inc.  
1300 Walt Whitman Rd.  
Melville, NY 11747  
Attn: Marketing Services Department



First-Class  
Postage  
Required

Post Office will  
not deliver  
without proper  
postage.

**TNR01-01**

***Nikon***<sup>®</sup>

**PO BOX 173031  
DENVER CO 80217-3031**



# Nikon®

• Return this card to register your purchase and enter our **\$100,000 Give Away VI** • One winner of fifty thousand dollars • One winner of twenty-five thousand dollars • Five winners of five thousand dollars each •

Register online at [www.prodregister.com/nikon](http://www.prodregister.com/nikon)

**Accessories  
Product Registration**



**OFFICIAL SWEEPSTAKES RULES: NO PURCHASE NECESSARY TO WIN.** PURCHASES DO NOT ENHANCE CHANCES OF WINNING. Sweepstakes is sponsored by Equifax Marketing Services ("EMS"), and will be offered in a number of different presentations. EMS will award the following prizes: one 1st Prize of \$50,000; one 2nd Prize of \$25,000; and five 3rd Prizes of \$5,000. Sweepstakes begins May 20, 2005 at 12:00 a.m. E.D.S.T., and ends December 31, 2007 at 11:59 p.m. E.S.T. Enter by completing this product registration or printing a 3" x 5" card with your name, address, city, state, ZIP Code, and the words "S100,000 Give Away VI" and mailing the entry form or card to P.O. Box 173031, Dept. TNK, Denver, CO 80217-3031. Entries must be received before December 31, 2007 and are limited to one per household. Mechanically reproduced entries not acceptable. Not responsible for late, lost or illegible entries. A random drawing will be held on or around March 31, 2008. Odds of winning depend on the total number of entries received. Open to legal U.S. residents at least 18 years old, except EMS employees and their immediate family (spouse, parents, or children). Winner will be notified by certified mail at the address provided on the entry form. Each winner must submit a signed and notarized affidavit of eligibility within thirty days of notification of their prospective winner status, and if a satisfactory affidavit is not received within that time, an alternate winner will be selected. Alternate winners are subject to all eligibility requirements. By submitting an entry, winners agree to the use of their name, address, and photograph for advertising/publicity purposes without compensation. All entries become the property of EMS. In case of a dispute of any online entry, the authorized account holder of the e-mail address used to enter the sweepstakes will be deemed to be the entrant. Winner may be required to show proof of being the "authorized account holder." Winner is solely responsible for all taxes. All federal, state and local laws apply. EMS reserves the right to correct errors in sweepstakes materials. Offer void in Florida and where prohibited by law. For list of winners, send a self-addressed, stamped envelope to: "S100,000 Give Away VI", P.O. Box 173133, Denver, CO 80217-3133.

1. 1.  Mr. 2.  Mrs. 3.  Ms. 4.  Miss TNR01-01

First Name Initial Last Name

Street Apt. No.

City State ZIP Code

E-mail Address:

2. Your date of birth: / /  
Month Year

3. Marital status: 1.  Married 2.  Single

4. Date of purchase: / /  
Month Day Year

5. Serial number:

6. Model number:

7. Please indicate the Nikon camera this accessory will be used with.

Camera model:  
Camera model:  
Camera model:  
Camera model:  
Camera model:

8. Dealer name:

9. Price paid: (excluding tax) \$ .00

10. Where was this product purchased?  
1.  Received as a gift 5.  Mail order  
2.  Camera store 6.  Catalog showroom  
3.  Discount store (Kmart, Wal-mart, etc.) 7.  Via the Internet  
4.  Department store 8.  Electronics store  
9.  Other

11. What is your level of photographic experience?  
1.  Beginner 3.  Advanced Amateur  
2.  Amateur 4.  Professional

12. Who or what most influenced this purchase?  
1.  Dealer 6.  TV ad  
2.  A professional 7.  Dealer/Store ad  
3.  Friend/Relative 8.  Nikon magazine ad  
4.  Previous experience w/Nikon 9.  Magazine article  
5.  Nikon reputation 10.  Other

13. How will you use this product? (check only one)  
1.  Commercial/Industrial/Government 4.  Creative/Hobby  
2.  Scientific/Medical 5.  Family/Travel  
3.  Photo Journalism 6.  Sport/Outdoors  
7.  Other

14. What other products do you own or intend to purchase?  
Currently Own Intend to Purchase

Digital Camera	<input type="checkbox"/>	1.	<input type="checkbox"/>
Digital SLR Camera	<input type="checkbox"/>	2.	<input type="checkbox"/>
Film SLR Camera	<input type="checkbox"/>	3.	<input type="checkbox"/>
Compact Camera	<input type="checkbox"/>	4.	<input type="checkbox"/>
Film Scanner	<input type="checkbox"/>	5.	<input type="checkbox"/>
Color Printer	<input type="checkbox"/>	6.	<input type="checkbox"/>
Lens	<input type="checkbox"/>	7.	<input type="checkbox"/>

15. Not including yourself, what is the GENDER and AGE (in years) of children and other adults living in your household?  
1.  No one else in household 2.  Child under 1 year

Male	Female	Age	Male	Female	Age
1. <input type="checkbox"/>	2. <input type="checkbox"/>	yrs.	1. <input type="checkbox"/>	2. <input type="checkbox"/>	yrs.
1. <input type="checkbox"/>	2. <input type="checkbox"/>	yrs.	1. <input type="checkbox"/>	2. <input type="checkbox"/>	yrs.

**Register ONLINE at**  
[www.prodregister.com/nikon](http://www.prodregister.com/nikon)

16. Occupation: (check all that apply)

You	Spouse
Professional/Technical	<input type="checkbox"/> 1. <input type="checkbox"/>
Upper Management/Executive	<input type="checkbox"/> 2. <input type="checkbox"/>
Middle Management	<input type="checkbox"/> 3. <input type="checkbox"/>
Sales/Marketing	<input type="checkbox"/> 4. <input type="checkbox"/>
Clerical/Service Worker	<input type="checkbox"/> 5. <input type="checkbox"/>
Tradesman/Machine Operator/Laborer	<input type="checkbox"/> 6. <input type="checkbox"/>

17. Are you or your spouse:

You	Spouse
A Homemaker?	<input type="checkbox"/> 1. <input type="checkbox"/>
Retired?	<input type="checkbox"/> 2. <input type="checkbox"/>
A Student?	<input type="checkbox"/> 3. <input type="checkbox"/>
Self Employed/Business Owner?	<input type="checkbox"/> 4. <input type="checkbox"/>
Working from a Home Office?	<input type="checkbox"/> 5. <input type="checkbox"/>
In the Military?	<input type="checkbox"/> 6. <input type="checkbox"/>
A Veteran?	<input type="checkbox"/> 7. <input type="checkbox"/>

18. Which group describes your annual family income?

01. <input type="checkbox"/> Under \$15,000	08. <input type="checkbox"/> \$75,000-\$99,999
02. <input type="checkbox"/> \$15,000-\$19,999	09. <input type="checkbox"/> \$100,000-\$124,999
03. <input type="checkbox"/> \$20,000-\$29,999	10. <input type="checkbox"/> \$125,000-\$149,999
04. <input type="checkbox"/> \$30,000-\$39,999	11. <input type="checkbox"/> \$150,000-\$174,999
05. <input type="checkbox"/> \$40,000-\$49,999	12. <input type="checkbox"/> \$175,000-\$199,999
06. <input type="checkbox"/> \$50,000-\$59,999	13. <input type="checkbox"/> \$200,000-\$249,999
07. <input type="checkbox"/> \$60,000-\$74,999	14. <input type="checkbox"/> \$250,000 & over

19. Level of education: (check highest level completed)

1. <input type="checkbox"/> Completed High School
2. <input type="checkbox"/> Completed College
3. <input type="checkbox"/> Completed Graduate School

20. Which credit cards do you use regularly?

1. <input type="checkbox"/> American Express, Diners Club
2. <input type="checkbox"/> MasterCard, Visa, Discover
3. <input type="checkbox"/> Department Store, Oil Company, etc.
4. <input type="checkbox"/> Do not use credit cards

21. For your primary residence, do you:  
1.  Own? 2.  Rent?

22. Please tell us how many magazines your household:  
A. Subscribes to B. Purchases at Stores/Newsstands

1. <input type="checkbox"/> 1-3 per month	1. <input type="checkbox"/> 1-3 per month
2. <input type="checkbox"/> 4+ per month	2. <input type="checkbox"/> 4+ per month

23. Which of the following do you plan to do within the next 6 or 12 months?

1-6 Months	7-12 Months
Buy/Lease a New Vehicle	<input type="checkbox"/> 1. <input type="checkbox"/>
Buy/Lease a Used Vehicle	<input type="checkbox"/> 2. <input type="checkbox"/>



Please fold here.

**24. Please check all that apply to your household.**

- |   |  |  |
|---|--|--|
| 01. <input type="checkbox"/> Shop by Catalog/Mail             | 06. <input type="checkbox"/> Have a Dog                              | 10. <input type="checkbox"/> Speak Spanish                   |
| 02. <input type="checkbox"/> Shop via the Internet            | 07. <input type="checkbox"/> Have a Cat                              | 11. <input type="checkbox"/> Own an Apple/Macintosh Computer |
| 03. <input type="checkbox"/> Member of Frequent Flyer Program | 08. <input type="checkbox"/> Own a Wireless/Cellular Phone           | 12. <input type="checkbox"/> Own a CD-ROM Drive              |
| 04. <input type="checkbox"/> Donate to Charitable Causes      | 09. <input type="checkbox"/> Subscribe to an Online/Internet Service | 13. <input type="checkbox"/> Home Workshop/Do-It-Yourself    |
| 05. <input type="checkbox"/> Own a Compact Disc Player        |  |  |

**25. To help us understand our customers' lifestyles, please indicate the interests and activities in which you or your spouse enjoy participating on a regular basis.**

- |  |  |  |
|--|--|--|
| 01. <input type="checkbox"/> Bicycling                 | 18. <input type="checkbox"/> Buy Prerecorded Videos/DVDs | 35. <input type="checkbox"/> Wines                         |
| 02. <input type="checkbox"/> Golf                      | 19. <input type="checkbox"/> Automotive Work             | 36. <input type="checkbox"/> Stamp/Coin Collecting         |
| 03. <input type="checkbox"/> Physical Fitness/Exercise | 20. <input type="checkbox"/> Electronics                 | 37. <input type="checkbox"/> Collectibles                  |
| 04. <input type="checkbox"/> Running/Jogging           | 21. <input type="checkbox"/> Recreation Vehicles (RVs)   | 38. <input type="checkbox"/> Our Nation's Heritage         |
| 05. <input type="checkbox"/> Snow Skiing               | 22. <input type="checkbox"/> Listen to Records/Tapes/CDs | 39. <input type="checkbox"/> Real Estate Investments       |
| 06. <input type="checkbox"/> Tennis                    | 23. <input type="checkbox"/> Avid Book Reading           | 40. <input type="checkbox"/> Stocks/Bond Investments       |
| 07. <input type="checkbox"/> Camping/Hiking            | 24. <input type="checkbox"/> Bible/Devotional Reading    | 41. <input type="checkbox"/> Contests/Sweepstakes          |
| 08. <input type="checkbox"/> Fishing                   | 25. <input type="checkbox"/> Health/Natural Foods        | 42. <input type="checkbox"/> Casino Gambling               |
| 09. <input type="checkbox"/> Hunting/Shooting          | 26. <input type="checkbox"/> Photography                 | 43. <input type="checkbox"/> Science Fiction               |
| 10. <input type="checkbox"/> Power Boating             | 27. <input type="checkbox"/> Cultural/Arts Events        | 44. <input type="checkbox"/> Wildlife/Environmental Issues |
| 11. <input type="checkbox"/> Sailing                   | 28. <input type="checkbox"/> Fashion Clothing            | 45. <input type="checkbox"/> Dieting/Weight Control        |
| 12. <input type="checkbox"/> Grandchildren             | 29. <input type="checkbox"/> Art/Antique Collecting      | 46. <input type="checkbox"/> Science/New Technology        |
| 13. <input type="checkbox"/> Needlework/Knitting       | 30. <input type="checkbox"/> Foreign Travel              | 47. <input type="checkbox"/> Self-Improvement              |
| 14. <input type="checkbox"/> Sewing                    | 31. <input type="checkbox"/> Cruise Ship Vacations       | 48. <input type="checkbox"/> Walking for Health            |
| 15. <input type="checkbox"/> Flower Gardening          | 32. <input type="checkbox"/> Travel in USA               | 49. <input type="checkbox"/> Watching Sports on TV         |
| 16. <input type="checkbox"/> Vegetable Gardening       | 33. <input type="checkbox"/> Gourmet Cooking/Fine Foods  | 50. <input type="checkbox"/> Home Video Recording          |
| 17. <input type="checkbox"/> Crafts                    | 34. <input type="checkbox"/> NASCAR                      | 51. <input type="checkbox"/> Moneymaking Opportunities     |

**26. Using the numbers in the above list, please indicate your 3 most important activities:**

--	--	--

Thanks for taking the time to fill out this questionnaire. Your answers will be used for market research studies and reports. They will also allow you to receive important mailings and special offers from a number of fine companies whose products and services relate directly to the specific interests, hobbies, and other information indicated above. Through this selective program, you will be able to obtain more information about activities in which you are involved and less about those in which you are not. Please check here if, for some reason, you would prefer *not* to participate in this opportunity.

Failure to return this card will not diminish your warranty rights.

Copyright © 2005 All Rights Reserved  
Printed in Thailand

**Please seal with tape. Do not staple.**



1 YEAR WARRANTY + 4 YEARS EXTENDED SERVICE COVERAGE =

# 5 YEARS OF PROTECTION

for Nikkor AF and PC Lenses



**Please note: You must register this ESC with Nikon Inc. within 10 days of your retail purchase. See inside for details.**

**P/N 5324**







# Nikkor AF or PC Nikkor

1 Year Warranty + 4 Year Extended Service Coverage =

## 5 YEARS OF PROTECTION



1.  Mr.  Mrs.  Ms.

First Name	Initial	Last Name		
Street		Apt. No.		
City		State	Zip Code	
E-mail				

2. Dealer Name

Dealer Name				
City		State	Zip Code	

3. Your Telephone #

4. Serial #

5. Date of Purchase

Your Telephone #		Serial #		Date of Purchase		
Month	Day	Year				

6. Lens Model: \_\_\_\_\_ mm f/ \_\_\_\_\_

7. Model (check one) D40 \_\_\_\_\_ D40X \_\_\_\_\_ D50 \_\_\_\_\_ D70/D70S \_\_\_\_\_ D80 \_\_\_\_\_ D100 \_\_\_\_\_  
 D200 \_\_\_\_\_ D1X \_\_\_\_\_ D2X/D2XS \_\_\_\_\_ D2H \_\_\_\_\_ Other \_\_\_\_\_

# **Nikon** Nikkor AF/PC-Nikkor Lens 1 Year Warranty + 4 Year Extended Service Coverage = 5 Years of Protection

To obtain Extended Service Coverage (ESC), you must register with Nikon Inc. within ten days from the date of the original retail purchase of this NIKKOR AF or PC-NIKKOR lens. Failure to register invalidates your ESC. To register, complete and mail the attached postcard to Nikon Inc.

This ESC becomes valid upon the expiration of the Nikon Inc. limited warranty that was included with your NIKKOR AF or PC-NIKKOR lens (1 year parts & labor) and provides the coverage specified below for a period of four additional years for a total of 5 years of protection.

During the period of your ESC, repairs resulting from defects in materials or workmanship will be performed at no-charge by Nikon Inc. subject to the following:

1. ESC applies to the original purchaser only and is not transferable or assignable.
2. ESC does not cover repairs resulting from or due to misuse, abuse, neglect or accident.
3. ESC does not cover repairs resulting directly or indirectly from the use of unauthorized replacement parts, accessories and/or service performed by unauthorized personnel.
4. Coverage dates will be determined by the date indicated on your bill-of-sale.
5. ESC is valid only in the USA, Puerto Rico and the US Virgin Islands.

6. ESC can be performed only by Nikon Inc.'s Melville, NY or El Segundo, CA Service Stations identified on the product's original warranty.

7. ESC is valid only for the NIKKOR AF or PC-NIKKOR lens indicated on the reverse and only when that product is purchased by a retail consumer from an authorized Nikon dealer who purchased it from Nikon Inc. Such NIKKOR AF or PC-NIKKOR lenses may be identified by the Nikon Inc. warranty. Each serial number is computer printed on the warranty. Blank or hand-entered serial numbers are not valid. NIKKOR AF or PC-NIKKOR lenses sold by other Nikon distributors throughout the world are not eligible.

#### TO OBTAIN ESC SERVICE:

Return your NIKKOR AF or PC-NIKKOR lens in person or addressed to Nikon Inc.'s Melville, NY or El Segundo, CA Service Stations identified on the product's original warranty together with:

- This copy of the ESC document.
- The original (white) product warranty.
- Your retail bill-of-sale indicating the purchase date.

You must pay all postage, shipping, transportation and insurance costs to the repair facility.

***FOR ASSISTANCE WITH YOUR ESC, CALL 1-800-NIKON-SV***



# Nikkor AF or PC Nikkor

1 Year Warranty + 4 Year Extended Service Coverage =

# 5 YEARS OF PROTECTION



1. \_\_\_ Mr. \_\_\_ Mrs. \_\_\_ Ms.

First Name

Initial

Last Name

Street

Apt. No.

City

State

Zip Code

E-mail

2. Dealer Name

City

State

Zip Code

3. Your Telephone #

— —

4. Serial #

5. Date of Purchase

Month / Day / Year

6. Lens Model: \_\_\_\_\_ mm f/ \_\_\_\_\_

7. Model (check one) D40 \_\_\_\_\_ D40X \_\_\_\_\_ D50 \_\_\_\_\_ D70/D70S \_\_\_\_\_ D80 \_\_\_\_\_ D100 \_\_\_\_\_

D200 \_\_\_\_\_ D1X \_\_\_\_\_ D2X/D2XS \_\_\_\_\_ D2H \_\_\_\_\_ Other \_\_\_\_\_

TNX01-01



PLACE  
STAMP  
HERE

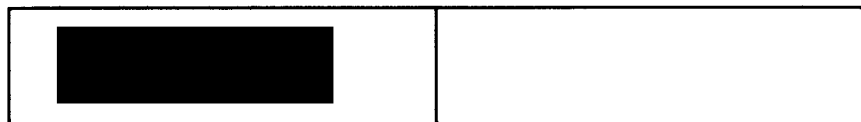
***Nikon***<sup>®</sup>

**NIKKOR LENS ESC REGISTRATION**

**P. O. BOX 173031**

**DENVER, CO 80217-3031**





AF-S 50/1.4G

# ***Nikon***

## **IMPORTANT NOTICE:**

**YOU MUST PRESENT THE ATTACHED WARRANTY FORM (PART 1)  
TOGETHER WITH PROOF-OF-PURCHASE AND PROOF-OF-PURCHASE  
DATE TO OBTAIN WARRANTY SERVICE.**

THIS FORM MUST BE PRESENTED FOR WARRANTY SERVICE

--	--

This is your Nikon Inc. One Year Limited Warranty (valid in the Continental United States, Alaska, Hawaii, Puerto Rico and U.S. Virgin Islands).

**AF-S 50/1.4G**  
YOU MUST PRESENT THIS FORM (PART 1) TOGETHER WITH PROOF-OF-PURCHASE AND PROOF-OF-PURCHASE DATE TO OBTAIN WARRANTY SERVICE.

This Nikon product is warranted by Nikon Inc. to be free from defects in materials and workmanship for a period of one (1) year from the date of purchase. During this period, if this product is found to be defective in materials or workmanship, Nikon Inc. or its authorized service station will at its option either repair or replace this product without charge subject to the following limitations and exclusions:

This warranty extends to the original consumer purchaser only and is not assignable or transferable.

This warranty shall not apply to the following:

1. Any product which has been subject to misuse, alteration, abuse, negligence or accident or has its serial number altered or removed.
2. Any defects or damage directly or indirectly caused by the use of unauthorized replacement parts and/or service performed by unauthorized personnel.
3. Any batteries.

**THIS WARRANTY IS IN LIEU OF ALL OTHER WARRANTIES, EXPRESSED OR IMPLIED, INCLUDING BUT LIMITED TO ANY IMPLIED WARRANTY OF MERCHANTABILITY OR FITNESS FOR A PARTICULAR PURPOSE PROVIDED HOWEVER, THAT IF THE DISCLAIMER OF IMPLIED WARRANTIES IS INEFFECTIVE UNDER APPLICABLE LAW, THE DURATION OF ANY IMPLIED WARRANTIES ARISING BY OPERATION OF LAW SHALL BE LIMITED TO ONE (1) YEAR FROM THE DATE OF PURCHASE OR SUCH LONGER PERIOD AS MAY BE REQUIRED BY APPLICABLE LAW. UNDER NO CIRCUMSTANCES SHALL NIKON INC. BE LIABLE FOR ANY CONSEQUENTIAL, INCIDENTAL, SPECIAL, DIRECT, INDIRECT, EXEMPLARY OR PUNITIVE DAMAGES RELATING TO OR ARISING OUT OF ANY BREACH OF THIS WARRANTY OR ANY OTHER CLAIM REGARDING THIS PRODUCT, INCLUDING BUT NOT LIMITED TO CLAIMS OF NEGLIGENCE, STRICT LIABILITY OR BREACH OF CONTRACT.**

Some states do not allow (a) limitations on how long an implied warranty lasts or (b) the exclusion or limitation of incidental or consequential damages so the above limitations or exclusions may not apply to you. This warranty gives you specific legal rights and you may also have other rights which vary from state to state.

In order to obtain performance of the warranty obligations, the original consumer purchaser must return this warranty and

this Nikon product together with proof-of-purchase and proof-of-purchase date (bill of sale) either in person or addressed to the warranty department of Nikon Inc., New York headquarters at 1300 Walt Whitman Road, Melville, New York 11747-3064, Los Angeles area branch at 841 Apollo Street, Suite 100, El Segundo, California 90245-4721, or any one of Nikon Inc's authorized service stations at their respective addresses. To locate Nikon AUTHORIZED SERVICE STATIONS, please visit [www.nikonusa.com](http://www.nikonusa.com) and click the Service tab, or call 800-NIKONSV (800-645-6678) toll free.

The original consumer purchaser in returning this Nikon product must prepay all postage, shipping, transportation, insurance and delivery costs to the repair facility.

LAST NAME \_\_\_\_\_

FIRST NAME \_\_\_\_\_

ADDRESS \_\_\_\_\_

CITY \_\_\_\_\_ STATE \_\_\_\_\_

ZIP \_\_\_\_\_

THIS WARRANTY FORM MAY NOT BE REPRODUCED OR COPIED AND SHALL BE VALID ONLY WITH PRODUCTS SOLD BY NIKON INC.

**Nikon** PART 1





**AF-S 50/1.4G**

Retain this Worldwide Warranty with proof-of-purchase for your records

# **Nikon ONE YEAR WORLDWIDE LIMITED WARRANTY**

**(Excluding the Continental United States, Alaska, Hawaii, Puerto Rico and U.S. Virgin Islands)**

**Welcome to the worldwide family of Nikon owners.**

Your Nikon equipment has been manufactured to the highest quality standards by NIKON CORPORATION, Tokyo, Japan.

This warranty entitles the original consumer to worldwide warranty protection in accordance with the terms and conditions. It affords the consumer warranty protection outside the continental United States, Alaska, Hawaii, Puerto Rico and the U.S. Virgin Islands. Such warranty coverage is supplemental to and not in lieu of the United States Nikon One Year Limited Warranty which is received by the customer with the Nikon product.

This Nikon product except for batteries is warranted by **NIKON CORPORATION, Tokyo, Japan** to be free from defects in materials or workmanship for a period of one year from the date of purchase. During this period any one of the worldwide repair facilities listed on the reverse side will repair without charge any parts or assembly of parts found to be defective in materials or workmanship subject to the following limitations:

1. This warranty extends to the original consumer purchaser only and is not assignable or transferable.
2. This warranty shall not extend to any product which has been subject to misuse, abuse, negligence, accident or unauthorized repair.

**All warranties implied by law including any warranty of merchantability or fitness for a particular purpose shall be of a duration of one (1) year from date of purchase. The warranties herein are expressly in lieu of all other express warranties including the payment of consequential or incidental damages for the breach of any warranty.**

**No warranties, whether express or implied, including the warranties of merchantability or fitness for a particular purpose are made by any distributor or dealer of the product herein warranted; nor shall such dealer or distributor be liable for the payment of any direct incidental or consequential damages.**

In order to obtain worldwide service, the consumer should return the Nikon product, either in person or addressed to the Warranty Department of any authorized service repair station listed on the reverse side together with proof-of-purchase and this warranty. The original consumer in returning this product must prepay all postage, shipping, transportation, insurance and delivery costs to the repair facility.

For prompt response of worldwide warranty inquiries, please direct all correspondence to:

**NIKON CORPORATION**

LAST NAME \_\_\_\_\_  
 FIRST NAME \_\_\_\_\_  
 ADDRESS \_\_\_\_\_  
 CITY \_\_\_\_\_ STATE \_\_\_\_\_  
 ZIP \_\_\_\_\_

**Nikon PART 2**

# Nikon SERVICE FACILITIES (As of October 2009)

<b>Argentina:</b> Grupo Udenio	Ayacucho 1235, Buenos Aires (1111) Phone: +54-11-4811864	Camera Service Centre	Shop No. 5, Saddlers II Basement, Vijayashanthi Complex, 3 Blackers Road, Anna Salai, Chennai 600 002 Phone: +91-44-8594392	<b>Singapore:</b> Nikon Singapore Pte. Ltd.	80 Anson Road #10-01/02 Fuji Xerox Towers Singapore 079907 Phone: +65-6559-3618
<b>Australia:</b> Nikon Australia Pty Ltd.	Unit F1, Lidcombe Business Park, 3-29 Birnie Avenue, Lidcombe NSW 2141 Phone: +61-2-8748-5200	<b>Indonesia:</b> PT Alta Samaraya	Komplex Hotel Dusit Mangga Dua Ruko No. 16, Jalan Mangga Dua Raya, Jakarta 10730 Phone: +62-21-6127654	<b>Slovenia:</b> Nikon Service Point Slovenia Foto Besenicar	Dunajska 57, 1000 Ljubljana Phone: 00386 (0)1 - 2800800
<b>Austria:</b> Krca Kamera Service	Praterstr. 60/2/17, A-1020 Wien Phone: +43-1-2180910	<b>Ireland:</b> Nikon U.K. Ltd.	Authorized Repair Centre —SLR Service Centre	<b>South Africa:</b> Foto Distributors	516 Kyalami Blvd Kyalami Bussinesspark Midrand, 1684 Midrand Phone: +27 (0)11-4662500
<b>Belgium:</b> Procirop Belux	Avenue du Bourget, 50, 1130 Bruxelles Phone: 32 (0) 2726 2234	<b>Israel:</b> Hadar Photo Supply Agencies Ltd.	Rathmolyon, Co Meath, Eire Phone: +353-40557151 (SC003531) P.O. Box 1686, Tel-Aviv 61016 Phone: +972-3-5603947	<b>Spain:</b> Finicon S.A.	Ciencias 81, nave 8, 08908 L'Hospitalet de Llobregat Phone: 34 93 264 90 99
<b>Brazil:</b> T. Tanaka S/A	Rua Martim Francisco, 438, 01226-000 São Paulo-SP Phone: +55-11-38252255	<b>Italy:</b> L.T.R. Service SRL	Via Tabacchi 29, 10132 Torino Phone: +39 011814488	<b>Sweden:</b> Nikon Nordic AB	Råsundavägen 12, 8 tr, 169 67 Solna Phone: +46-8-59410900
<b>Canada:</b> Nikon Canada Inc.	1366 Aerowood Drive, Mississauga, Ontario L4W 1C1 Phone: +1-905-6259910	<b>Korea:</b> Nikon Imaging Korea Co., Ltd.	12th Floor, Seoul Chamber Of Commerce & Industry Building, 4-45, Namdaemoon-Ro, Jung-Ku, Seoul 100-743 Phone: +82-(0)2-6050-1800	<b>Switzerland:</b> Nikon AG	Im Hanselmaa 10, 8132 Egg (ZH) Phone: +41432772830
<b>Chile:</b> Villamar Ltda.	Edificio Terragolf, Calle August Legaia sur, No. 160, Santiago Phone: +56-2-234-0223	<b>Kuwait:</b> Ashraf & Co., Ltd.	Brivibas Gatve 201, LV - 1039 Riga Latvia Phone: +371 7070520	<b>Taiwan:</b> Yang Tai Trading Corp. Ltd.	6F, 90 Huai-Ning Street, Taipei 10037 Phone: +886-2-2311-7975, 2311-3480
<b>China:</b> Nikon Imaging (China)Sales Co., Ltd. Shanghai Service Centre	Rm.2608-2610, Tian An Center, No. 338, West Nan Jing Road, Shanghai 200003 Phone: +86-021-63720566	<b>Latvia:</b> Collecting Point: Baltijas Servisa Centrs BSC	Taikos st. 259-74, LT - 05214 Vilnius Phone: +370 5 - 2761682	<b>Thailand:</b> Niks (Thailand) Co., Ltd.	166 Silom Road 12, Bangkok 10500 Phone: +66-2-235-2929
Nikon Imaging (China)Sales Co., Ltd. Beijing Branch Service Centre	Suite 307, Tower E1, Oriental Plaza, No.1 East Chang An Ave., Dong Cheng District, Beijing China 100738 Phone: +86-010-85151230	<b>Lithuania:</b> Collecting Point AG Service UAB	11th Floor, Block A Menara PKNS No. 17, Jalan Yong Shook Lin 46050 Petaling Jaya Selangor Darul Ehsan Phone: +60-(0)3-7809 3688	<b>Turkey:</b> Teleoptik	Yeni Postane Caddesi No: 8 34420 Sirkeci—Istanbul Saleh Mohammed Bin Lahej Bldg., Al Garhood, P.O. Box 2144, Deira, Dubai Phone: +971-4-2823700
Nikon Imaging (China)Sales Co., Ltd. Chengdu Service Centre	Room 04-06, 9/F, Tower 2, Central Plaza, No.8 Shun Cheng Avenue, Chengdu, 610016 Phone: +86-028-86736282, 36283	<b>Malaysia:</b> Nikon (Malaysia) Sdn. Bhd.	Col. Juarez, Mexico, D.F., C.P.06600. MEXICO Phone: +52-55-3098 6450	<b>U.A.E.:</b> Grand Stores	Semyi Khokhlovykh ul., 8, 04112 Kiev Phone: +7 (044) 247-67-34
Nikon Imaging (China)Sales Co., Ltd. Guangzhou Branch Service Centre	Rm.05-06,13/F, East Tower, Fortune Plaza 116 Ti Yu Dong Rd. Guangzhou, China 510620 Phone: +86-020-38932135	<b>Mexico:</b> Nikon Mexico, S.A. de C.V.	Wijkemeerweg 50, 1948 NW Beverwijk Phone: +31-251-274-737	<b>Ukraine:</b> YugContract Krok TTC	Schuseva ul., 10, 04060 Kiev Phone: +7 (044) 251-29-70
<b>Cyprus:</b> K.H. Papasian Distributors Ltd.	27 Andrea Arazouzou str. / Flat 22, 1076 Nicosia Phone: +357 22 518840	<b>Netherlands:</b> Nikon Service Point Netherlands	BP 661, 98845-Noumea Cedex Phone: +687-28-6670	<b>United Kingdom:</b> Nikon UK Ltd.	380 Richmond Road, Kingston Upon Thames / Surrey KT2 5PR Phone: +44 (0)330 123 0932
<b>Czech Republic and Slovak Republic:</b> Nikon spol. s r.o.	Kodánská 46, 100 10 Praha 10 Phone: +420 267 154 566	<b>New Caledonia:</b> Phocidix	34 Vestey Drive, Mount Wellington, Auckland 1060 Phone: +64-9-573 1650	Authorized Repair Centres —Fixation	Unit C, 250 Kennington Lane, London SE11 5RD Phone: +44 -20 7582 3294
<b>Denmark:</b> DFA A/S	Lersø Parkalle 101, DK 2100 Copenhagen Phone: +45 72488432	<b>New Zealand:</b> T.A. Macalister Ltd.	Liaveien 1, N-5132 Nyborg Phone: +47 55 39 38 80	—H Lehmann Ltd.	247-249 London Road, Stoke-on-Trent, Staffs Phone: +44-1782-413611
<b>Estonia:</b> Arwest Oy	Aleksandri 6, EE-51004 Tartu Phone: +372 7344299	<b>Norway:</b> Camera & Videoteknikk as (all products)	Calle 15 Y D Edificio No. 24, Zona Libre De Colon Phone: +507-441-1598	—A J Johnstone & Co	395-399 Central Chambers, 93 Hope Street, Glasgow G2 6LD Phone: +44-141221-2106
<b>Finland:</b> JAS Tekniikka Oy	Mannerheimintie 160 B, FI 00300 Helsinki Phone: +358407747740	<b>Panama:</b> Panama y Centro America Telefoto Internacional Zona Libre, S.A.	UL POSTEPU 14, 02-676 Warszawa Phone: +48(22)-460 87 35	<b>Uruguay:</b> Udenio Uruguay S.R.L.	Piedras 329 (Apt 108), Montevideo Phone: +598-2-9164909
<b>France:</b> Nikon France SAS	191 rue du marche Rollay, 94504 Champigny sur Marne Phone: 0033 (0)825 82 10 10	<b>Poland:</b> Nikon Polska	Av. Engenheiro Carlos Santos, 5 Alto de Boavista, 2635-023 Albarraque Phone: 351 219 151 555	<b>U.S.A.:</b> Nikon Inc.	1300 Walt Whitman Rd. Melville, N.Y. 11747-3064 Phone: +1-800-645-6678
<b>Greece:</b> D & J Damkalidis SA	44 Zefirou str. P. Faliro, 17564 Athens Phone: +302109410669	<b>Portugal:</b> J.Matos , LDA.	ZIC N°2-BP238, 97826 Le Port Cedex Phone: +262-43-31-98	<b>Vietnam:</b> Pham The—Camera Repairing Center	841 Apollo Street, Suite 100 El Segundo, CA 90245 Phone: +1-800-645-6678
<b>Germany:</b> Nikon GmbH Autorisierte Nikon- Vertragswerkstätten: —Albrecht-Kamera Service GmbH	Tiefenbroicher Weg 25, 40472 Düsseldorf Phone: +49-211-94-140	<b>Reunion:</b> Sogerep	Ocna Sibiuului 46-48 Str., RO 014011 Bucharest 1 Phone: +40 (0)21-313.45.66	<b>Japan:</b> Nikon Imaging Japan Inc.	11 Le Cong Kieu St. Dist. 1, Ho Chi Minh City Phone: +84-8-829-5888
—Dostal u. Rudolf GmbH	Longericherstr. 205, 50739 Köln Phone: +49-221-9175100	<b>Romania:</b> Skin Media SRL	Nomekina ul., 21B, 117420 Moscow Phone: +7 (495) 737-88-69	Sapporo Service Center	Phone: +81-3-6702-0577 (Phone No. in common with below Service Centers)
—FSB Fotogeräteservice GmbH	Schellingstr. 35, 80799 München Phone: +49-89-526239 u. 524942	<b>Russia:</b> Sivma	M.Kazennyi per., 8, build.1, 105064 Moscow Phone: +7 (495) 255-45-04	Shinjuku Service Center	Shinhokkaido Bldg., 2F, 4-3-1, Nishi, Kitashichijo, Kita-ku, Sapporo 060-0807
—Holger Maerz Fotogeräte-Service	Reginhardstr. 34, 13409 Berlin Phone: +49 -30 4615081	Media Service	Petrogradskaya nab., 40, 197101 St. Peterburg Phone: +7 (812) 232-00-06	Shinjuku L-Tower, 28F, 1-6-1, Nishi-Shinjuku, Shinjuku-ku, Tokyo 163-1528	Shinjuku L-Tower, 28F, 1-6-1, Nishi-Shinjuku, Shinjuku-ku, Tokyo 163-1528
—Kamera Service Dresden B. Scheinert	Ochsenzoller Straße 173, 22848 Norderstedt Phone: +49-40-5238463	AS	Koroleva ul., 40, building 3, 630015 Novosibirsk Phone: +7 (383) 212-08-74	Shinjuku-ku, Tokyo 163-1528	Strata Ginza Bldg., 2F, 7-10-1, Ginza, Chuo-ku, Tokyo 104-0061
<b>Hong Kong:</b> Nikon Hong Kong Ltd.	Schweizer Str. 3a, 01069 Dresden Phone: +49 -351 8626448	Fotoservice	Lavochkina, 19, 125502 Moscow Phone: +7 74957838008	Shinjuku-ku, Tokyo 163-1528	Chugai Tokyo Kaijo Bldg., 6F, 3-20-17, Marunouchi, Naka-ku, Nagoya 460-0002
<b>Hungary:</b> Nikon KFT.	Suite 1001, 10F, Cityplaza One, 1111 King's Road, Taikoo Shing Phone: +852-2902-9000	InterRadioPribor ZAO "IRP"	Hail Commercial Centre, 3rd Fl., Flat: 1-5, Hail Road. P.O. Box: 3611, Jeddah-21481 Phone: +966-2-6425333/6425777	Osaka Service Center	Hilton Plaza West Office Tower, 13F, 2-2-2, Umeda, Kita-ku, Osaka 530-0001
<b>India:</b> Mazda Camera Centre	FÓTI UT 56, "V" ép. 8. em., 1047 Budapest Phone: (36-1) 232-1372	<b>Saudi Arabia:</b> Ahmed Abdulwahed Trading Co.	Pcinjska 15a, 11000 Belgrade Phone: 381 11 244 7958	Fukuoka Service Center	Hakata Ekimae Daiichi Seimeie Bldg., 1F, 1-4-1, Hakata Ekimae, Hakata-ku, Fukuoka 812-0011
Nikon India Pvt. Ltd.	306, Veena Killedar Bldg., Pais Street, K. Khadye Marg, Mumbai 400 011 Phone: +91-22-3079284	<b>Serbia:</b> REFOT B			
Capital Electronics	Plot no 17, Sector 32, Institutional Area, Gurgaon 122002, Haryana Phone: +91(0)124-4688-500				
	12, J.L.Nehru Road, Calcutta-700 013 Phone: +91-33-2280091, 2285857				

NIKON CORPORATION, Tokyo, Japan

Printed in Japan  
TT0D20001104(11)  
8YA101U1-11



## Free Manuals Download Website

<http://myh66.com>

<http://usermanuals.us>

<http://www.somanuals.com>

<http://www.4manuals.cc>

<http://www.manual-lib.com>

<http://www.404manual.com>

<http://www.luxmanual.com>

<http://aubethermostatmanual.com>

Golf course search by state

<http://golfingnear.com>

Email search by domain

<http://emailbydomain.com>

Auto manuals search

<http://auto.somanuals.com>

TV manuals search

<http://tv.somanuals.com>