

Panasonic Broadcast Mechanical PARTS LIST

MODEL: AG-DVX100BP/BE/BAN, AG-DVX102BEN, AG-DVC180

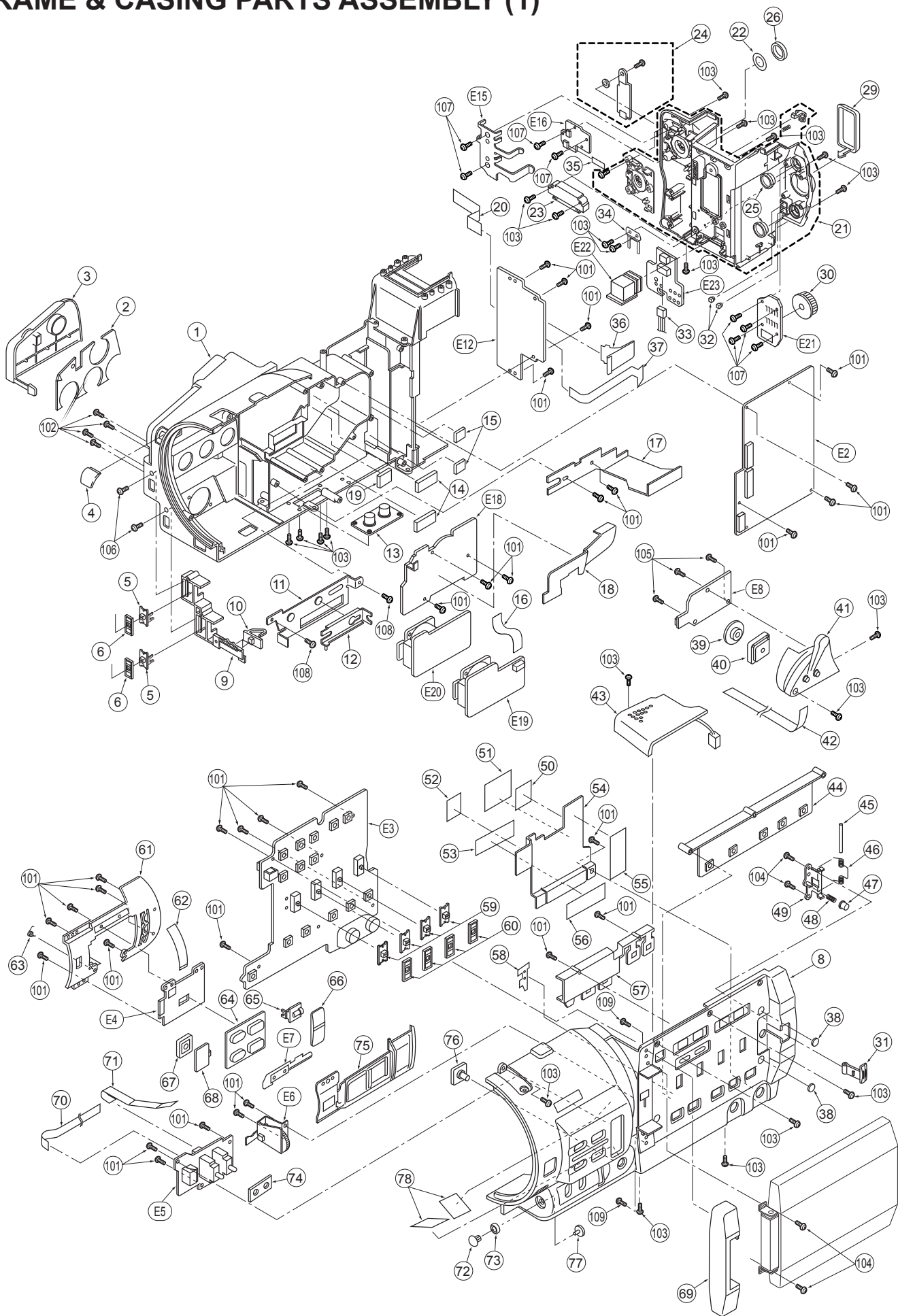
Note:

1. *Be sure to make your orders of replacement parts according to this list.
2. Unless otherwise specified, all resistors are in OHMS, K=1,000 OHMS, all capacitors are in MICROFARADS (μF), P= $\mu\mu\text{F}$.
3. The P.C. Board unit marked with "■" shown below the main assembled parts.
4. The parts marked with $\text{\textcircled{E}}$ on the exploded view show the electric parts.
5. **IMPORTANT SAFETY NOTICE**
Components identified with the mark Δ have the special characteristics for safety. When replacing any of these components, use only the same type.
6. The marking (RTL) indicates the retention time is limited for this item.
After the discontinuation of this assembly in production, it will no longer be available.
7. "M" in Remark column indicates needed in the periodical maintenance.

CONTENTS

FRAME & CASING PARTS ASSEMBLY (1)	MPL
FRAME & CASING PARTS ASSEMBLY (2)	MPL
HANDLE EVF PARTS ASSEMBLY	MPL
LCD PARTS ASSEMBLY.....	MPL
PACKING PARTS ASSEMBLY.....	MPL

FRAME & CASING PARTS ASSEMBLY (1)

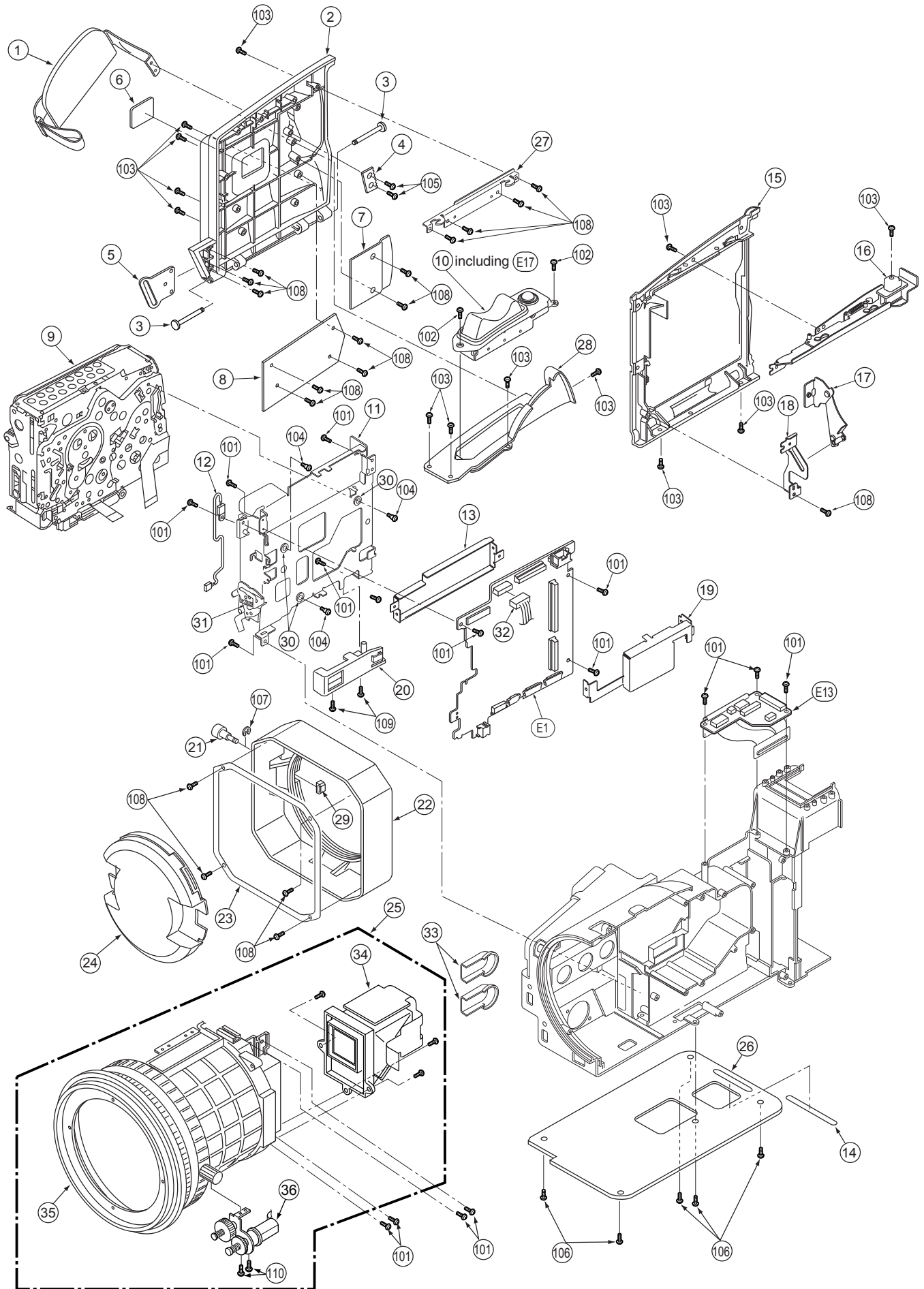


MPL-1

FRAME & CASING PARTS ASSEMBLY(1)

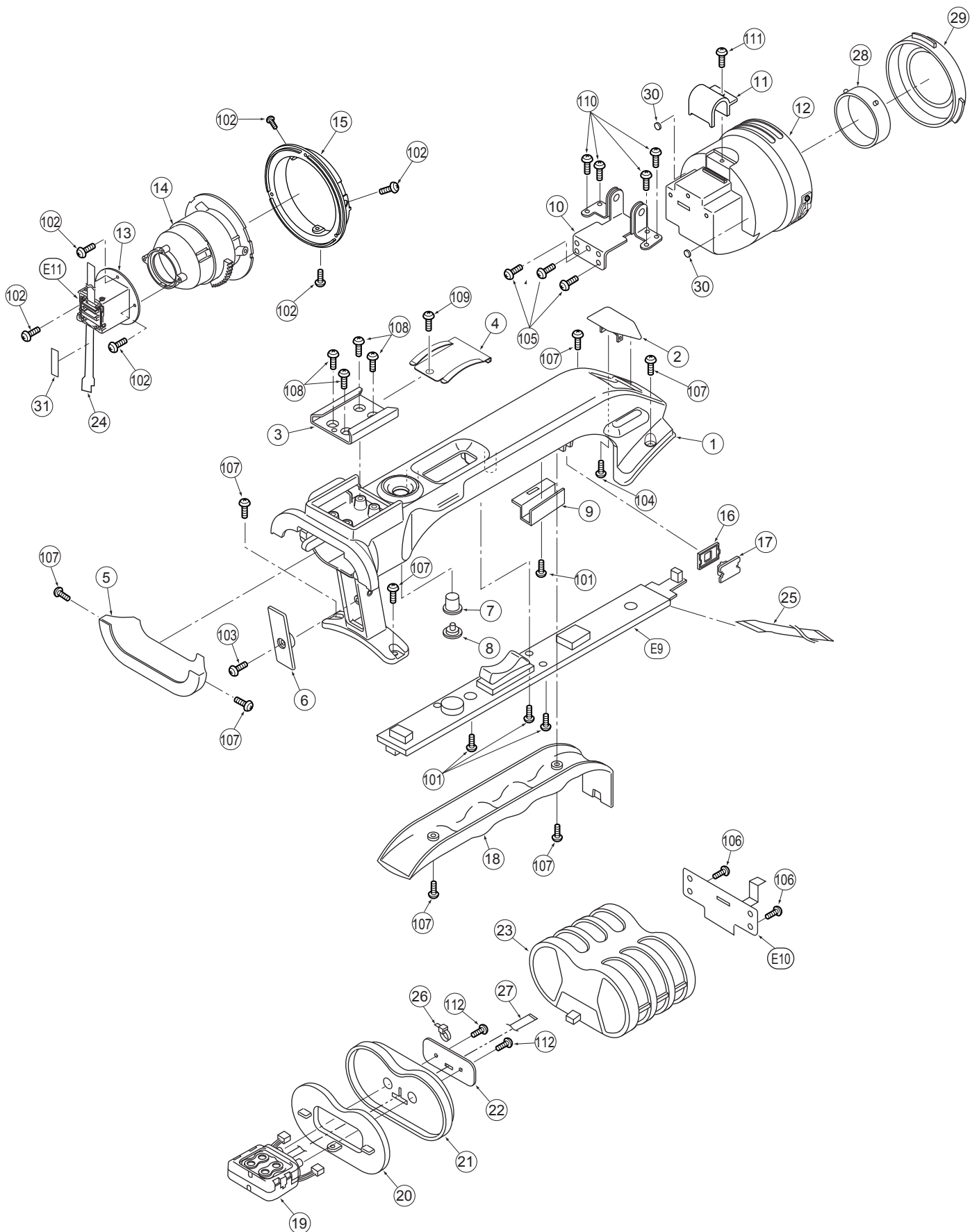
Ref.No.	Part No.	Part Name & Description	Pcs	Remarks	Ref.No.	Part No.	Part Name & Description	Pcs	Remarks
1	VKM6819	CENTER FRAME U	1		75	VGQ8614	CAM RIB CASE	1	
2	VGH4856	SIDE JACK NAME PLATE	1		76	VGU9885	IRIS BUTTON	1	
3	VJF1470	SIDE JACK CAP	1		77	VGU9223	W. BAL. KNOB (LOWER)	1	
4	VKW3295	AWB WINDOW	1		78	VGQ7175	ND KNOB SHEET	2	
5	VGU9194	MIC SWITCHING KNOB	2						
6	VMG1460	SLIDE SW RUBBER COVER	2						
7	VYQ3546	START/STOP U	1	DELETED	101	XQN2+B4FN	SCREW	32	
8	VYK1R55	SIDE CASE R 1U	1		102	XYN26+A6FJK	SCREW	4	
9	VGQ6902	MIC SWITCHING KNOB HOLDER	1		103	XQN2+B4FJK	SCREW	22	
10	VGU9246	ZOOM CLUCH KNOB	1		104	XYN2+C5FJ	SCREW	4	
11	VML3710	CLUTCH SLIDE PLATE	1		105	XQN2+BJ4FJK	SCREW	3	
12	VMP8588	CLUTCH LEVER	1		106	XQN16+BJ4FJK	SCREW	2	
13	VMP8198	TRIPOD FRAME	1		107	XQN2+BJ6FJ	SCREW	8	
14	VGQ8097	COOLING SHEET C3	2		108	XYN2+C3FJ	SCREW	-3	2
15	VMG1517	LENS HEAT SINK SHEET (2)	2		109	XQN2+CJ6FJK	SCREW	2	
16	VWJ10G6033L0	FLEXIBLE CABLE	1						
17	VSC5793	CF HEAT SINK	1						
18	VWJ1806	FLEXIBLE CABLE	1						
19	VGQ8096	COOLING SHEET C2	1		E2	VEP23638A	CAMERA C. B. A.	1	FOR AG-DVX100BP/AN
20	VWJ20G6055L0	FLEXIBLE CABLE	1		E2	VEP23638B	CAMERA C. B. A.	1	FOR AG-DVX100BE/EN/MC
21	VGP6147	BACK CASE U	1	VYK1R53	E3	VEP06G09A	R SIDE C. B. A.	1	
22	VMX0531	CLUTCH SPACER	1		E4	VEP06G11A	CAM OP1 C. B. A.	1	
23	K4Z204000036	BATTERY TERMINAL	1	DELETED	E5	VEP06G12A	CAM OP2 C. B. A.	1	
24	VYF2920	EVR COVER U	1	DELETED	E6	VEP06G13A	CAM OP3 C. B. A.	1	
25	VGU9219	CAMERA/VCR BUTTON	2		E7	VEP06G14A	CAM OP4 C. B. A.	1	
26	VHN0194	SPACER	1		E8	VEP06G10A	MENU C. B. A.	1	
27	VMB3210	BATTERY LOCK SPRING	1		E12	VEP001K6A	BACK CONNECT C. B. A.	1	
28	VGU8582	BATTERY LOCK BUTTON	1		E15	VEP04892A	REAR JACK C. B. A.	1	
29	VJF1469	H. P CAP	1		E16	VEP06G07A	POWER SW C. B. A.	1	
30	VYQ3547	MODE DIAL U P. C. BOARD	1		E18	VEP04893A	SIDE JACK C. B. A.	1	
31	VGU9197	MONITOR LOCK KNOB	1		E19	VEP04895A	MIC CH2 C. B. A.	1	
32	VGL1012	MODE PANEL LIGHT	2		E20	VEP04894A	MIC CH1 C. B. A.	1	
33	VEE1A51	DC CABLE	1		E21	VEP06G08A	MODE SW C. B. A.	1	
34	VMP7340	DC IN ANGLE	1		E22	VEP01971A	DC IN C. B. A.	1	
35	VWJ16G6033L0	FLEXIBLE CABLE	1		E23	VEP01972A	BATTERY C. B. A.	1	
36	VWJ1804	FLEXIBLE CABLE	1						
37	VWJ16G6090L0	FLEXIBLE CABLE	1						
38	VMG1715	LCD CUSHION	2						
39	VGU9209	JOY STICK BUTTON	1						
40	VGU9199	MENU BUTTON	1						
41	VGQ8692	VF CASE (R)	1						
42	VWJ10G6050L0	FLEXIBLE CABLE	1						
43	VYK1R48	TOP PANEL U	1						
44	VGU9887	VTR BUTTON2	1						
45	VMS7187	LCD LOCK SHAFT	1						
46	VMB3659	MONITOR OPENER SPRING	1						
47	VGQ6901	MONITOR KNOB	1						
48	VMB3996	POP UP SPRING	1						
49	VMP7331	OPENER HOLDER ANGLE	1						
50	VGQ8750	COOLING SHEET C5	1						
51	VGQ8751	COOLING SHEET C6	1						
52	VMT1633	FPC CUSHION	1						
53	VGQ8817	COOLING SHEET R4	1						
54	VSC5792	CAMERA HEAT SINK	1						
55	VGQ8753	COOLING SHEET R3	1						
56	VGQ8752	COOLING SHEET R2	1						
57	VGU9886	VTR BUTTON1	1						
58	VMZ3612	HINGE FPC HOLD SHEET	1						
59	VGU9894	SLIDE KNOB	4						
60	VGH4857	SLIDE KNOB SHEET	4						
61	VGQ8613	ND FILTER HOLDER	1						
62	VWJ06G6033L0	FLEXIBLE CABLE	1						
63	VMB4000	FOCUS KNOB SPRING	1						
64	VGU9893	CAMERA OP BUTTON	1						
65	VGU9222	ND SWITCHING KNOB	1						
66	VGQ6906	HOLDER BLIND SHEET	1						
67	VGU9211	FOCUS BUTTON	1						
68	VGU9213	FOCUS SLIDE KNOB	1						
69	VGQ8612	LCD HINGE COVER	1						
70	VWJ12G6080L0	FLEXIBLE CABLE	1						
71	VWJ10G6050L0	FLEXIBLE CABLE	1						
72	VGU9217	W. BAL. KNOB (UPPER)	1						
73	VMG1418	RAIN COVER RUBBER (B)	1						
74	VMG1520	TOGGLE SW CUSHION	1						

FRAME & CASING PARTS ASSEMBLY (2)



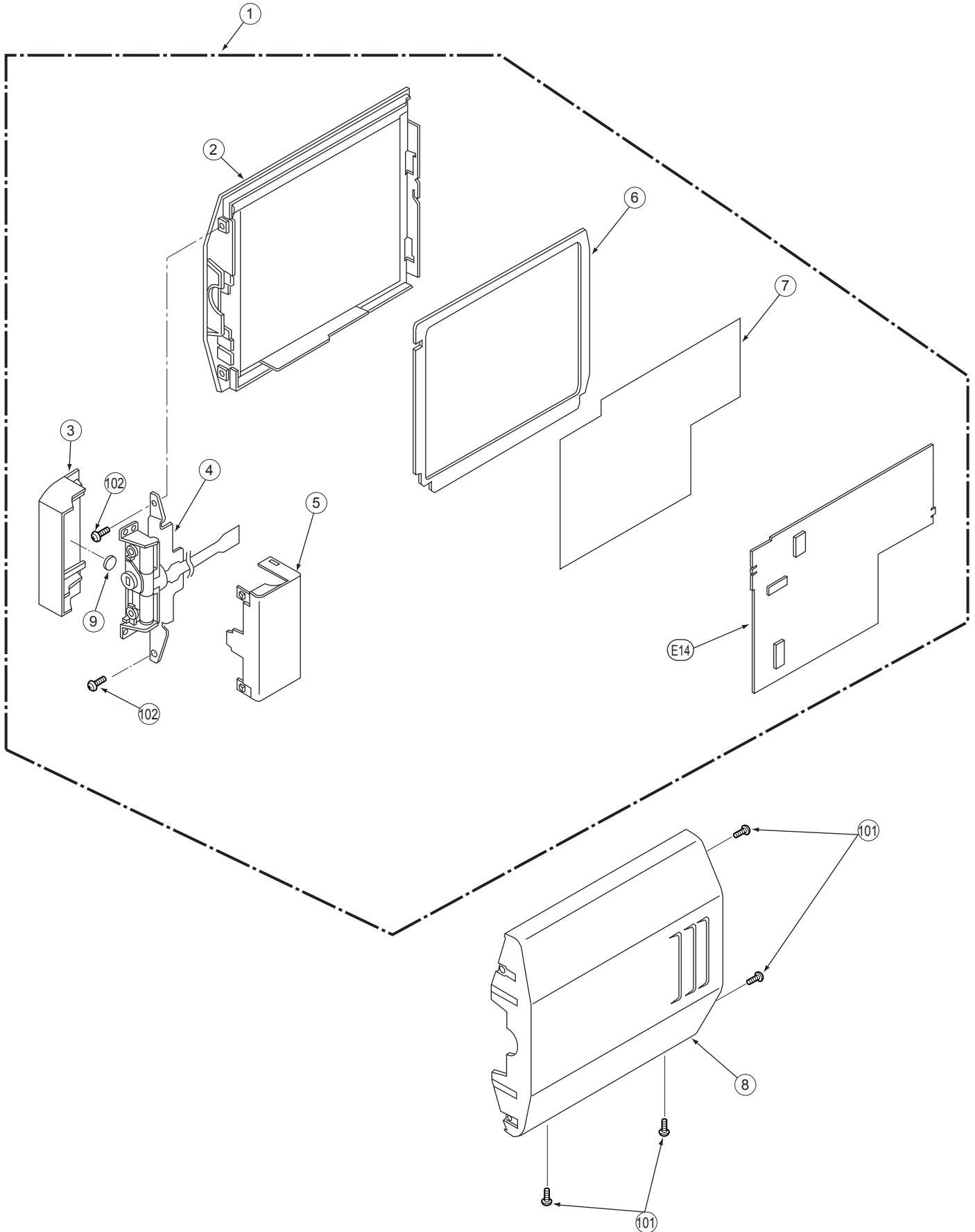
MPL-3

HANDLE EVF PARTS ASSEMBLY



MPL-5

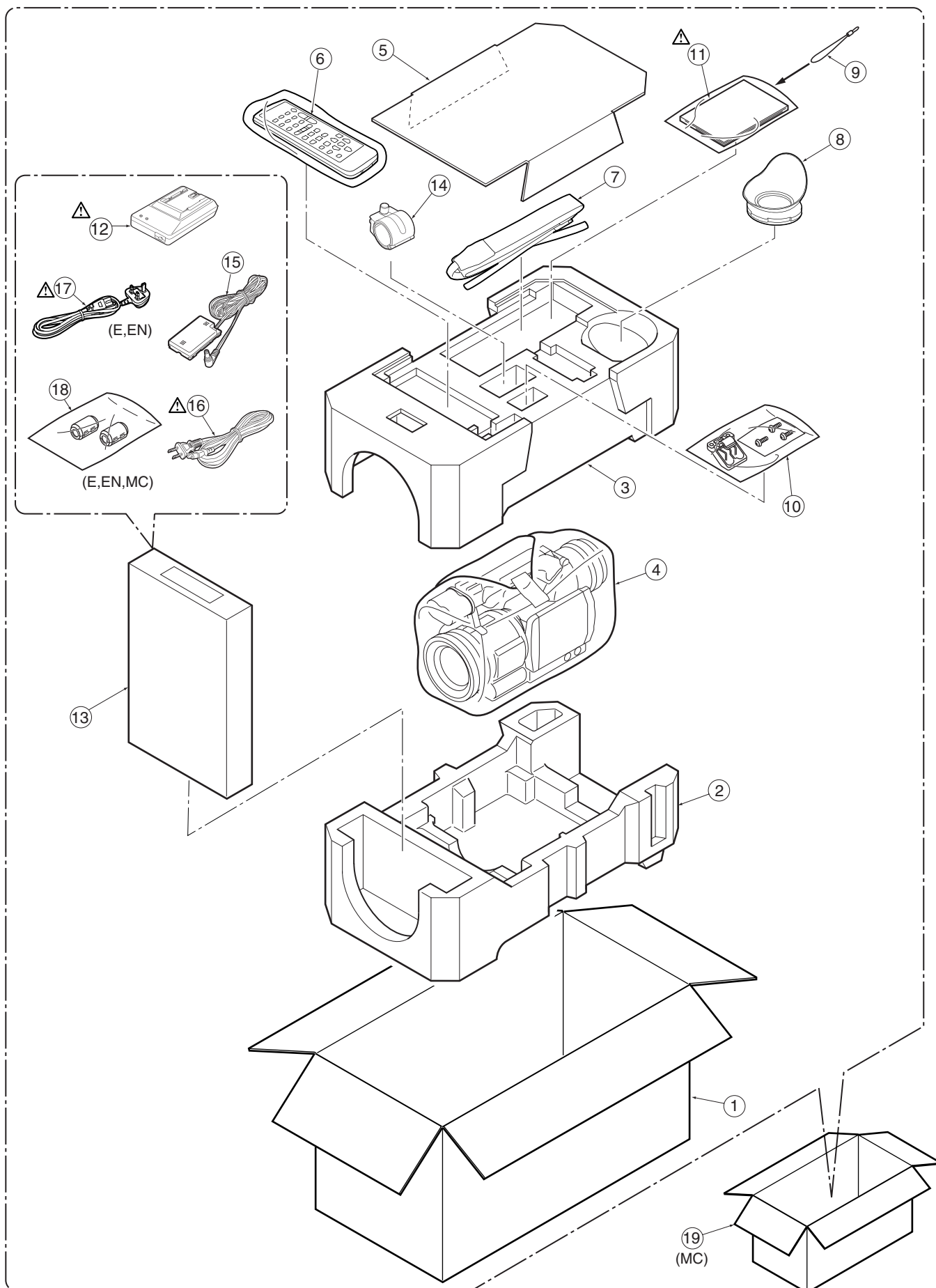
LCD PARTS ASSEMBLY



MPL-7

PACKING PARTS ASSEMBLY

Components identified with the mark \triangle have the special characteristics for safety. When replacing any of these components, use only the same type.



MPL-9

Free Manuals Download Website

<http://myh66.com>

<http://usermanuals.us>

<http://www.somanuals.com>

<http://www.4manuals.cc>

<http://www.manual-lib.com>

<http://www.404manual.com>

<http://www.luxmanual.com>

<http://aubethermostatmanual.com>

Golf course search by state

<http://golfingnear.com>

Email search by domain

<http://emailbydomain.com>

Auto manuals search

<http://auto.somanuals.com>

TV manuals search

<http://tv.somanuals.com>