

SEARS

OWNER'S MANUAL

Model No.
200.71310



**10/2/60 amp
FULLY AUTOMATIC
BATTERY CHARGER
ENGINE STARTER**

CAUTION:

Read and Follow All Safety
Rules and Operating Instructions
Before Every Use of this Product.

Sears, Roebuck and Co., Hoffman Estates, IL 60179

Table Of Contents

Contents	1	Using Your Battery Charger	5
Important Safety Instructions	2	Setting the controls	5
Parts	3	Charging your battery	6
Before Using Your Battery Charger	4	Calculating charge time	8
Plugging it in	4	Using the engine start feature	9
Using an extension cord	4	Maintenance and care	9
Preparing your battery to be charged	4	Troubleshooting	10

Please read this Owner's Manual before using your Battery Charger

Sears model 200.71310, Fully Automatic Battery Charger/Engine Starter, offers a wide range of features to accommodate the needs for home or light commercial use. This manual will show you how to use your charger safely and effectively. Please read and follow these instructions and precautions carefully.

Warranty

FULL THREE-YEAR WARRANTY

If, within three years from the date of purchase this battery charger fails due to a defect in materials or workmanship, simply RETURN IT TO THE NEAREST SEARS STORE IN THE UNITED STATES, and Sears will repair or replace it, free of charge.

This warranty gives you specific legal rights, and you may also have other rights which vary from state to state.

Sears, Roebuck and Co., Dept 817WA,
Hoffman Estates, IL 60179

Important Safety Instructions

– SAVE THESE INSTRUCTIONS –

⚠ WARNING

To reduce the risk of explosion, explosive gases, or injury using your battery charger, follow the precautions listed below.

- Read **all** instructions and cautions printed on the battery charger, battery, and vehicle or equipment using battery.
- Use charger only on **lead-acid** type rechargeable batteries, such as those used in cars, trucks, tractors, airplanes, vans, RV's, trolling motors, etc. This charger is not intended to supply power to a low voltage electrical system other than in an automotive application.
- **Use only** attachments recommended or sold by manufacturer. The use of attachments not recommended by the manufacturer may result in fire, electric shock, or injury.
- **Do not** disassemble charger. Take it to a qualified service professional if service or repair is required. Incorrect assembly may result in fire or electrical shock.
- To reduce risk of electrical shock, **unplug** the charger from the outlet before attempting any maintenance or cleaning.
- **Always** charge battery in a well ventilated area.

Help us help you

Remember:

- **Place** charger as far away from battery being charged as the charger cables will permit.
- **Do not** expose charger to rain or snow.
- **Never** charge a frozen battery. If battery fluid (electrolyte) becomes frozen, bring battery into a warm area to thaw before you begin charging.
- **Never** allow battery acid to drip on charger when reading specific gravity or filling battery.
- **Never** set a battery on top of the charger.
- **Never** place charger directly above battery being charged. The gases from the battery will corrode and damage the charger.
- **Never** use charger for charging dry-cell batteries that are commonly used with home appliances. These batteries may burst and cause personal injury.
- **Never** touch the battery clamps together when the charger is energized.
- **Never** operate charger if it has received a hard blow, been dropped, or otherwise damaged. Take it to a qualified professional for inspection and repair.
- **Be sure** to position the charger power cord to prevent it from being stepped on, tripped over, or damaged.
- **Never** pull out the plug by the cord when unplugging the charger. Pulling on the cord may cause damage to the cord or the plug.
- **Do not** operate the charger if it has a damaged power cord or plug. Have the cord replaced.

Personal Safety Precautions

For your own personal safety, please follow the following precautions:

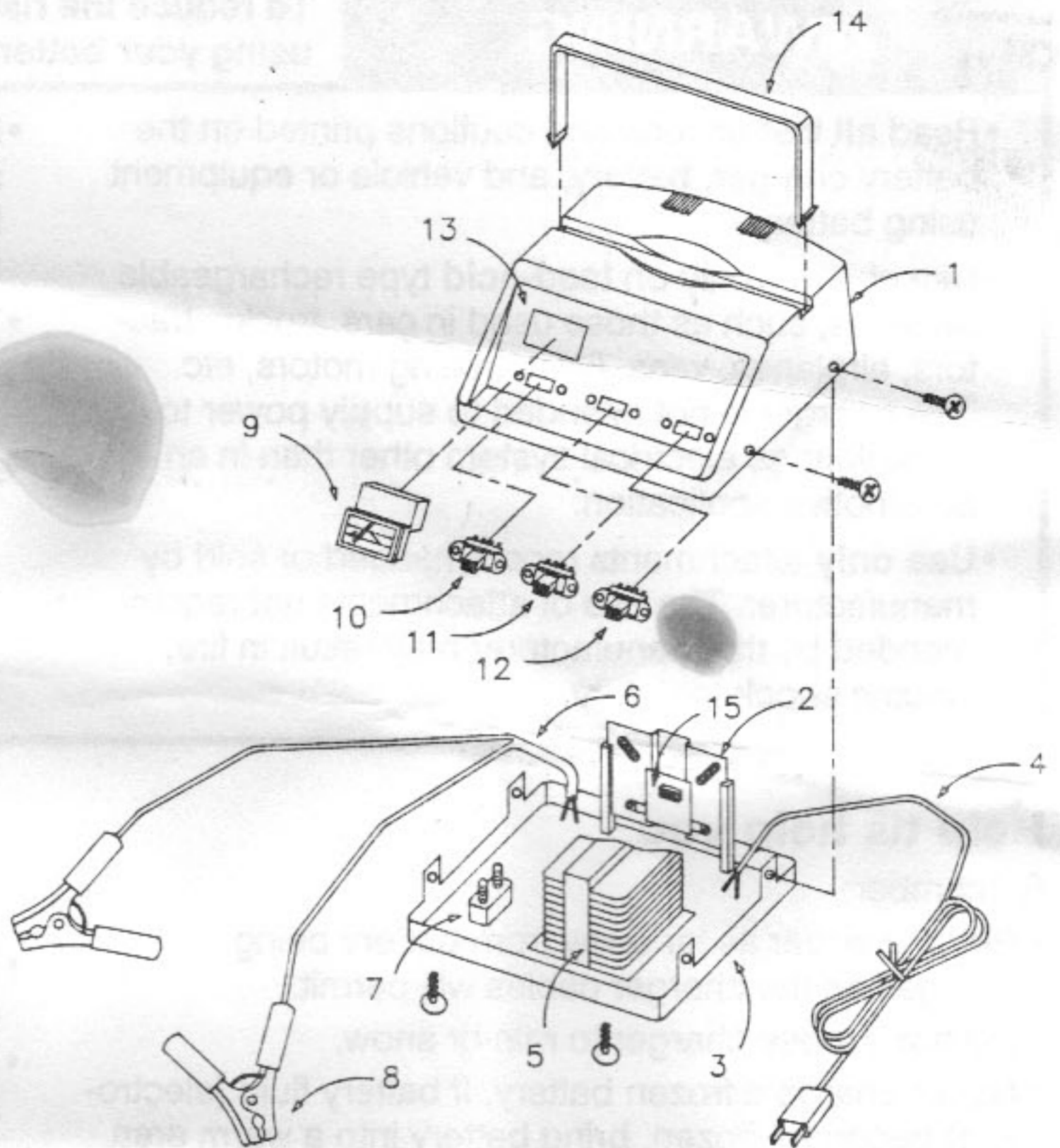
- **Wear complete eye and clothing protection** when working with lead-acid batteries.
- **Be sure** that someone is within range of your voice to come to your aid if needed while you work with or are near a lead-acid battery.
- **Have plenty of fresh water and soap** nearby for use in case battery acid contacts your eyes, skin, or clothing. If this happens, wash immediately with soap and water. Then get medical attention.
- **Avoid touching your eyes** while working with a battery. Acid particles (corrosion) may get into your eyes. If this occurs, flush eyes immediately with running cold water for at least 10 minutes. Then immediately get medical attention.
- **Remove all personal metal items** from your body, such as rings, bracelets, necklaces, and watches while working with a lead-acid battery. A battery can produce a short circuit current high enough to weld a ring (or the like) to metal, causing a severe burn.
- **Take care** not to drop any metal tool or metal object onto the battery. This may spark or short circuit the battery or another electrical device that may cause an explosion.
- **Always** operate your battery charger in an open, well ventilated area.
- **Never** smoke or allow a spark or flame in the vicinity of the battery or engine. Batteries generate explosive gases.
- **Neutralize** any acid spills thoroughly with baking soda before attempting to clean up.

Parts

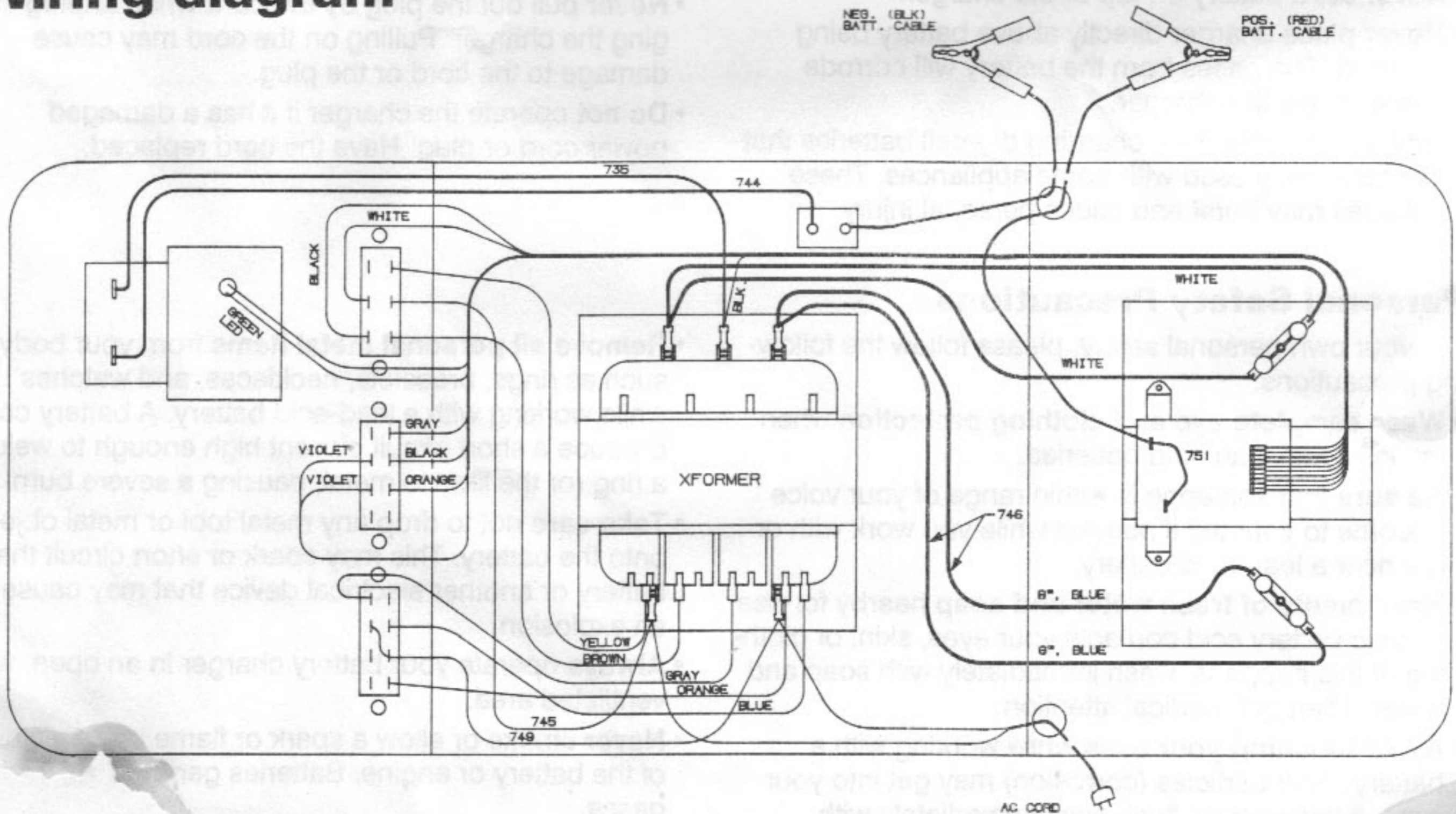
tion shows an illustration of your battery charger. Use it to become familiar with where all the parts are and what they look like.

Replacement Parts List Sears 71310

Description	Part Number
1 Case Cover	3799001420
2 Heatsink/Diode Asm	2299000848S
3 Case Bottom	3799001410
4 AC Linecord	90026053
5 Transformer	93026428
6 Output Cordset	3899000738
7 Circuit Breaker	3999000086
8 75 amp Clip	2299000730
Red sleeving (2)	0399000019R
Black sleeving (2)	0399000019B
9 Meter	5399100093
10 Switch (Left)	0499000060
11 Switch (Center)	0499000061
12 Switch (Right)	0499000061
13 Faceplate	0899000534
14 Handle	3599000270
15 SCR Module	2299000856
16 Owner's Manual	0000000512



Wiring diagram



Before Using Your Battery Charger

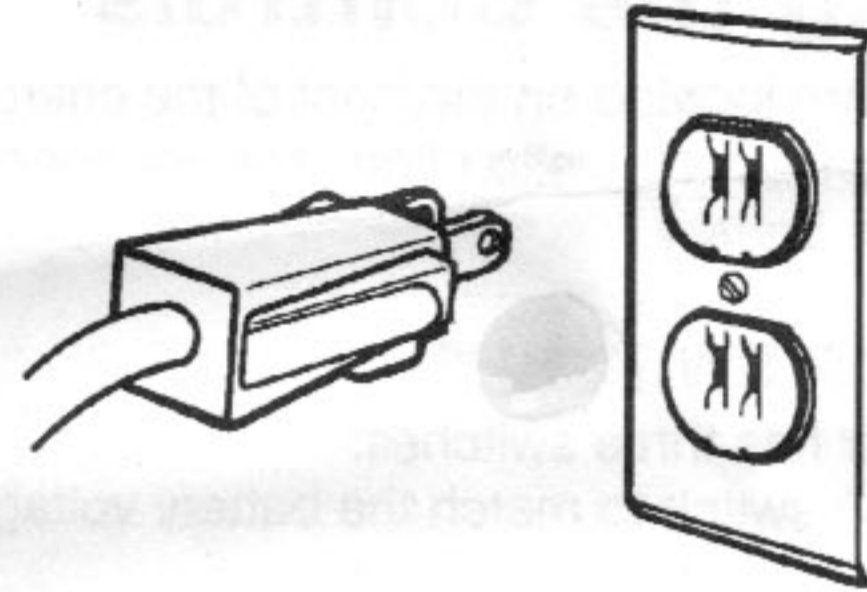
It is important to understand your charger's requirements. This section will tell you about your charger's electrical requirements and how to prepare a battery for charging.

Plugging it in

⚠ WARNING

Electrical Shock Hazard

Be sure that power cord fits properly into outlet. If not, have a qualified technician install a proper outlet. Never alter the AC cord or plug provided. Improper connection can result in electrical shock.



Your charger requires a 120V receptacle installed according to all local codes and ordinances.

Using an extension cord

The use of an extension cord is not recommended. If you must use an extension cord, please make sure that you follow these guidelines:

- Make sure that the pins on charger's power cord fit firmly into the extension cord, and that the extension cord fits firmly into the receptacle.
- Check that the extension cord is properly wired and in good electrical condition
- Make sure that the wire size is large enough for its length and for the AC ampere rating as specified in the accompanying chart.

MINIMUM RECOMMENDED EXTENSION CORD				
Length of Cord, in Feet	25	50	100	150
AWG* Size of Cord	18	16	12	10

*AWG=American Wire Gauge

Preparing your battery to be charged

It is important that you read and follow these guidelines while you are preparing to charge your battery.

- Make sure that you have a 12 volt or 6 volt lead-acid battery.
- Clean the battery terminals. Be careful to keep corrosion from getting in or around your eyes.
- If you have a battery with removable cell caps, if required, add distilled water to each cell until the battery acid reaches the level recommended by the manufacturer. This will help purge excessive gases from the cells. Be careful not to overfill. If you have a sealed battery without cell caps, no action is necessary. Continue to the next step listed below.
- Take time to read all battery manufacturer's specific precautions, such as removing or not removing cell caps while charging, and recommended rates of charge.
- Wear safety glasses. See additional "Personal Safety Precautions" on page 2.
- Be sure that the area around the battery is well ventilated while it is being charged. If ventilation is poor, gas can be manually blown away by using a piece of cardboard or other non-metallic material as a fan.
- If it is necessary to remove the battery from the vehicle to charge it, always remove the grounded terminal from the battery first. A spark may be caused if all accessories in the vehicle are not completely turned off.

NOTE: A marine battery installed in a boat must be removed and charged on shore.

Using Your Battery Charger

To obtain the best results from your battery charger, you must know how to use it properly. This section will tell you how to set the controls, how to charge a battery in or out of a vehicle, and how to use the charger to help start an engine.

Setting the Controls

The controls are located on the front of the charger. Follow these instructions to obtain the correct charge type for your battery.

SELECTOR SWITCHES:

Your charger has three switches:

- Use the left switch to match the battery voltage—either 6 or 12 volt.
- Use the center switch to select a charge type—MANUAL, AUTOMATIC DEEP CYCLE or AUTOMATIC REGULAR.
- Use the right switch to select a charge rate—2 AMP charge, 10 AMP charge, or 60 AMP ENGINE START.

Battery Voltage:

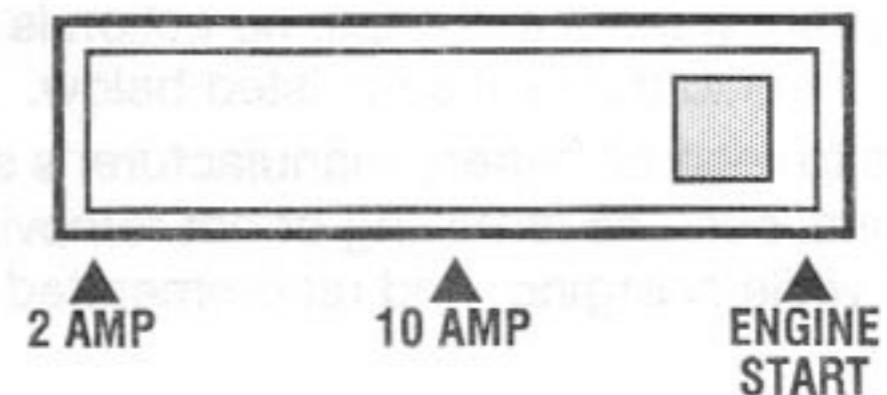
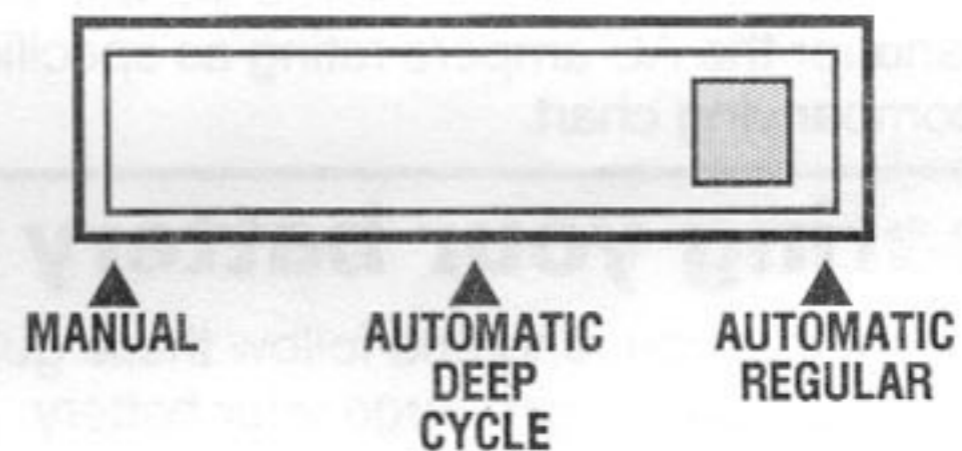
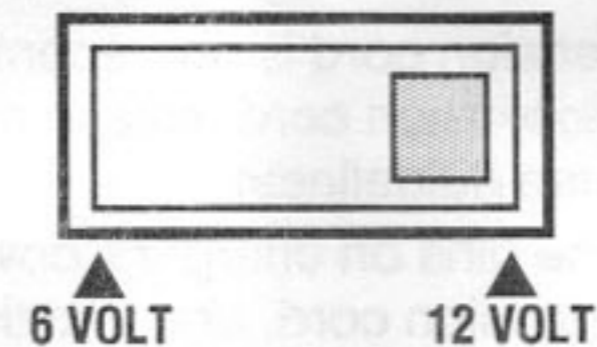
Select the voltage of your battery. The most common applications will be 12 volt.

Charge Type:

- Use the MANUAL setting only if you check the charging progress frequently. The charger will not stop charging when the battery reaches full charge, possibly damaging the battery if left on too long. You must monitor and unplug the charger when battery is fully charged.
- Use the AUTOMATIC DEEP-CYCLE setting for all deep-cycle battery charging. The charger will automatically stop charging when the battery reaches full charge.
- Use the AUTOMATIC REGULAR setting for all but deep-cycle batteries and for a severely discharged battery. The charger will automatically stop charging when the battery reaches full charge.
- A severely discharged battery may not have enough charge to start the control circuit in an AUTOMATIC setting. In this case, charge on MANUAL until the battery has enough charge to accept an AUTOMATIC setting.

Charge Rate:

- Use the 2 AMP charge rate setting for charging small batteries and warming large batteries. The lower the charge rate, the longer it will take to charge the battery.
- Use the 10 AMP rate setting for automotive, deep cycle and other large batteries.
- Use the 60 AMP ENGINE START setting only to assist in cranking the engine.



AMMETER:

The ammeter indicates the measured amount of amperes being drawn by the battery. When you first start charging a battery, the reading will be high, with the needle near 10 using the 10 amp charging rate.

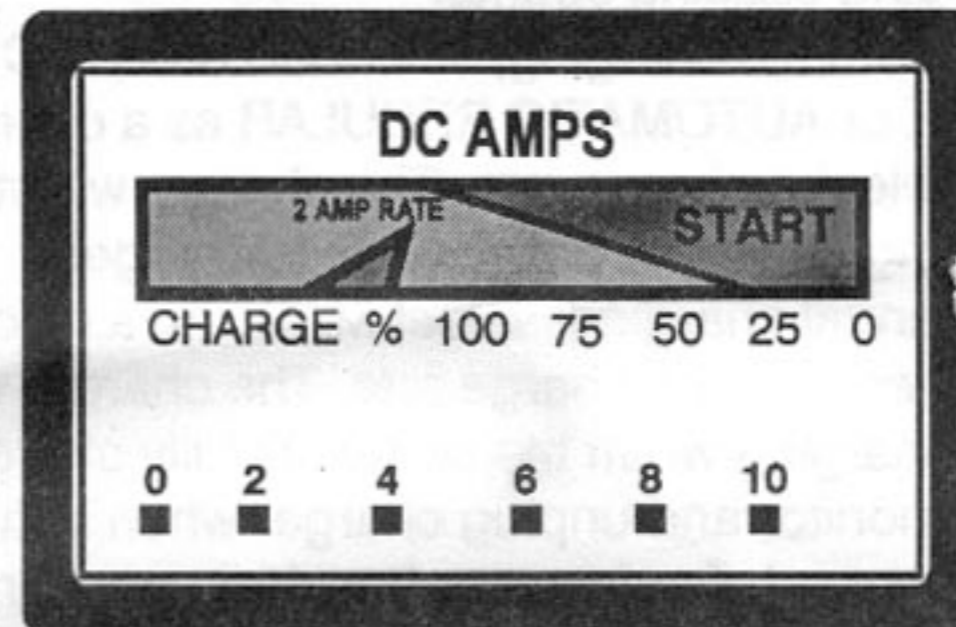
- In the MANUAL setting, as the battery charges, the needle will fall to about 4 or 5 amps, indicating a charged battery.
- In both AUTOMATIC settings, the needle will fall to zero and the charger will shut off when the charger's control circuit senses a full charge. A freshly charged battery's voltage will drop shortly after charging, and the charger, if left connected, may resume charging. This off-and-on cycling will continue until the battery's voltage no longer drops enough to restart the charger.
- At the 2 amp charging rate you will notice very little needle movement.

When cranking the engine while using the ENGINE START feature, the needle will swing into the Start (red) area of the scale.

LED INDICATOR:

The green LED INDICATOR will glow when the charger senses that the battery has reached a full charge.

- When using the MANUAL charge rate, discontinue charging when the LED glows and the AMMETER needle is about 4 to 5 amps in the 10 Amp setting.
- For deep cycle batteries, you may wish to allow the battery another one or two hours of charging after the LED glows to obtain a maximum charge.

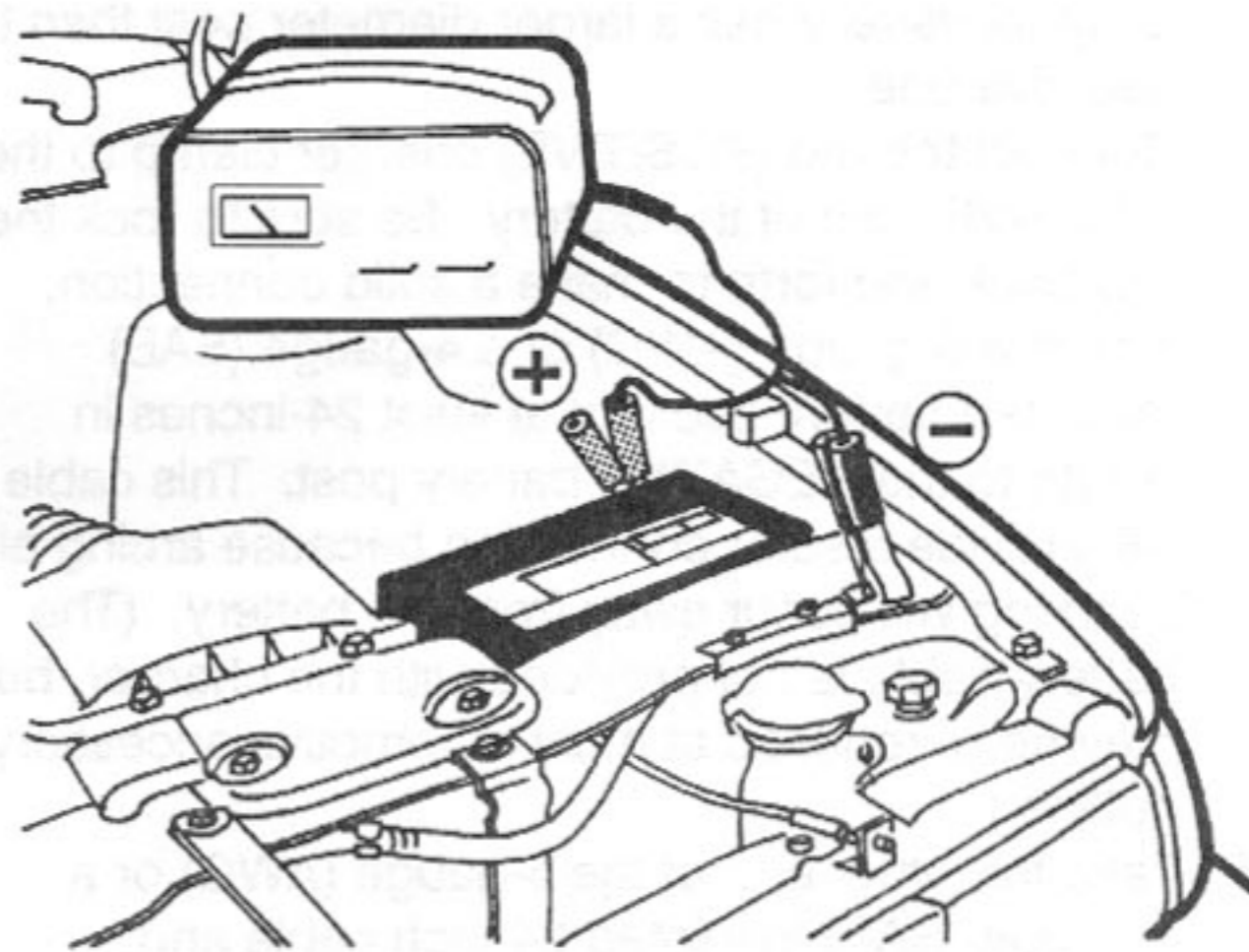


- When using AUTOMATIC charge rates, the LED will cycle on and off indicating the charger is maintaining the battery's state-of-charge.

Charging Your Battery

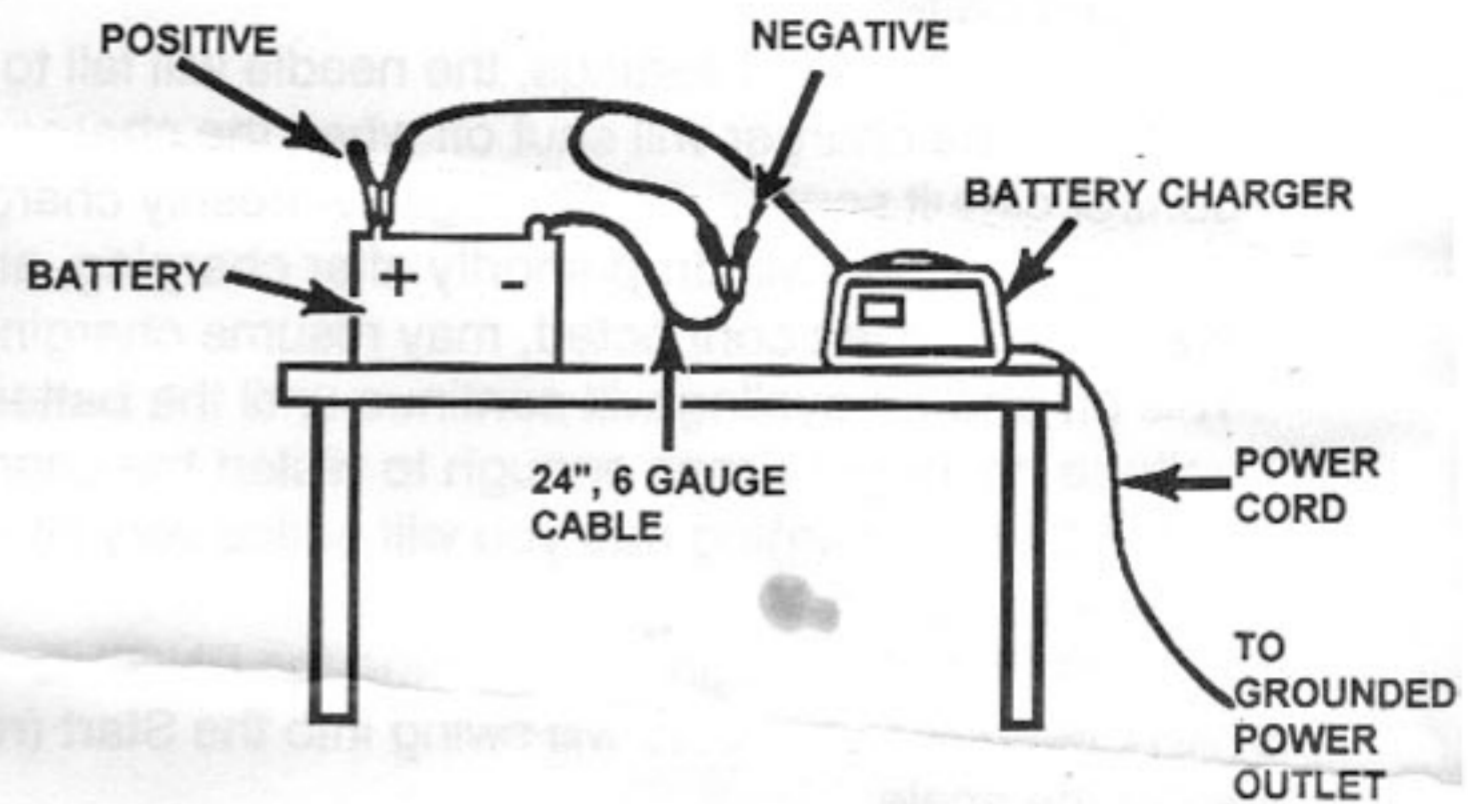
Charging a battery in the vehicle:

1. Arrange the power cord and charging leads carefully to avoid damage that could be caused by the hood, door, or moving engine parts.
2. Keep clear of fan blades, belts, pulleys, and other parts that can cause injury.
3. Check the polarity of the battery posts as indicated on the battery case: POSITIVE (POS, P, or +) and NEGATIVE (NEG, N or -). NOTE: The positive post on top-post batteries is usually larger than the negative post.
4. Identify which battery post is ground or connected to the chassis. **THE NEGATIVE POST IS NORMALLY THE ONE THAT IS GROUNDED.**
5. **To charge a negative grounded post system:** Connect the red (POSITIVE) battery charger clamp to the ungrounded POSITIVE (POS, P, +) post of the battery. Then connect the black (NEGATIVE) clamp to a heavy, unpainted metal part of the chassis or engine block, away from the battery. Do not connect clamp to carburetor, fuel lines, or sheet metal parts.



NEGATIVE GROUNDED SYSTEM

6. Connect the clamp to the battery post and twist or rock back and forth to make a solid connection. This will help keep the clamps from slipping off the posts and causing sparks.
7. For automatic charging, select AUTOMATIC DEEP CYCLE or AUTOMATIC REGULAR as a charge type then select a charge rate. The charger will stop charging when the battery is fully charged. For manual charging, select MANUAL as a charge and then select a charge rate. The charger **will not stop** charging when the battery is fully charged—you must monitor and unplug charger when battery is fully charged. **Avoid overcharging**, monitor the AMMETER frequently when in the MANUAL mode.
9. Next plug the power cord into an AC outlet.
10. When the battery is fully charged, in the MANUAL mode, the AMMETER pointer will fall to about half the charge rate selected. For specific positions, refer to the "Ammeter" section in "Using your battery charger" on a page 6.
11. When the battery is fully charged, unplug the charger power cord before attempting to disconnect charger clamps.
12. Standing away from the battery, remove the charger clamps **in this order**: (1) from the chassis connection and, (2) from the battery post or terminal.
13. Clean and store the battery charger in a dry location.



Charging your battery outside the vehicle:

1. Remove the battery from vehicle, making sure to disconnect grounded terminal first with all accessories and lights turned off in the vehicle.
2. Check the polarity of the **battery** posts as indicated on the battery case: POSITIVE (POS, P, +) and NEGATIVE (NEG, N, -).
NOTE: On top-post batteries, the positive battery terminal usually has a larger diameter post than the negative one.
3. Connect the red (POSITIVE) charger clamp to the POSITIVE post of the battery. Be sure to rock the clip back and forth to make a solid connection.
4. Attach a 6-gauge (AWG) or a 4-gauge (SAE) insulated battery cable of at least 24-inches in length to the NEGATIVE battery post. This cable will provide a safer connection because arcing and sparking will occur away from the battery. (The battery cable is not provided with the charger, but may be purchased at most automotive accessory outlets.)
5. Take the other end of the 6-gauge (AWG) or a 4-gauge (SAE) insulated 24-inch cable and, standing as far away from the battery as possible, connect the black (NEGATIVE) lead of the charger to the free end of the cable. Rock the clamp to make a solid connection.

IMPORTANT: Wear safety glasses and face away from the battery while making this final connection.

6. For automatic charging, select AUTOMATIC REGULAR or AUTOMATIC DEEP CYCLE depending on the type of battery, then select a charge rate. The charger will quit when the battery is fully charged and will restart if the battery voltage drops too low.
7. For manual charging, select MANUAL as a charge type then select a charge rate. The charger **will not stop** charging when the battery is fully charged — you must monitor and unplug charger when battery is fully charged. **Avoid overcharging**, monitor the AMMETER frequently when in the Manual mode.
8. Next plug the power cord into an AC outlet.
9. When the battery is fully charged in the MANUAL mode, the AMMETER pointer will fall to about half the charge rate selected. For specific positions, refer to the "Ammeter" section in "Using your battery charger" on page 6.
10. When the battery is fully charged, unplug the charger power cord before attempting to disconnect charger clamps.
11. Stand away from the battery and remove the charger leads from the NEGATIVE connections first, then from the battery post or terminal.
12. Clean and store the charger in a dry location.

Calculating charge time

The Chart Method

Use the following table to more accurately determine the time it will take to bring a battery to full charge. First, identify where your battery fits into the chart.

- Small batteries — motorcycles, garden tractors, etc. — are usually rated in Ampere Hours (AH). For example; 6 to 12 AH, or 12 to 32 AH.
- Batteries in cars and smaller trucks are usually rated in Reserve Capacity (RC), Cold-Cranking Amps (CCA), or both.

- Marine, or deep-cycle batteries are usually rated in Reserve Capacity (RC).
- **NR** means that the charger setting is NOT RECOMMENDED.

Find your battery's rating on the chart to the right; note the charge time given for each charger setting. The times given are for batteries with a **50-percent charge** prior to recharging. Add more time for severely discharged batteries.

BATTERY SIZE/RATING			CHARGE RATE/CHARGING TIME - HOURS	
			2 AMP	10 AMP
SMALL BATTERIES	Motorcycle, garden tractor, etc.	6 - 12 AH	2 - 4	NR
		12 - 32 AH	4 - 10	NR
CAR/TRUCKS	200 - 315 CCA	40 - 60 RC	11 - 14	2 - 2 ⁷ / ₈
	315 - 550 CCA	60 - 85 RC	14 - 18	2 ⁷ / ₈ - 3 ³ / ₄
	550 - 1000 CCA	85 - 190 RC	18 - 35	3 ³ / ₄ - 7
MARINE/DEEP CYCLE		80 RC	18	3 ¹ / ₂
		140 RC	27	5 ¹ / ₂
		160 RC	30	6
		180 RC	33	7

The Hydrometer or Electronic Method

To find the time needed to fully charge your battery, determine the battery's charge level with a hydrometer or electronic Percent-of-Charge Tester. The following table will help you convert hydrometer readings to percent of charge values.

SPECIFIC GRAVITY	PERCENT OF CHARGE	PERCENT OF CHARGE NEEDED
1.265	100%	0%
1.225	75%	25%
1.155	25%	75%
1.120	0%	100%

When you know the percent of charge and the Amp Hour (AH) rating of your battery, you can calculate the approximate time needed to bring your battery to a full charge.

To **convert** Reserve Capacity to Amp Hours, divide Reserve Capacity by 2, and add 16:

$$\text{Amp Hours} = \frac{\text{Reserve Capacity}}{2} + 16$$

To calculate time needed for a charge:

- Find the percent of **charge needed**. (A battery at 50 percent charge that will be charged to 100 percent needs another 50 percent (.50).
- Multiply the Amp Hour rating by the charge needed (.50) and divide by the charger setting (2 or 10 amps).
- Multiply the result by 1.25 and you'll have the approximate time needed, in hours, to bring the battery to full charge.
- Add one additional hour for a deep-cycle battery.

Example:

$$\frac{\text{Amp Hour Rating} \times \text{charge needed} \times 1.25}{\text{Charger Setting}} = \text{hours of charge}$$

$$\frac{100 \text{ (AH Rating)} \times .50 \text{ (charge needed)} \times 1.25}{10 \text{ (Charger Setting)}} = 6.25 \text{ hours}$$

$$\frac{100 \times .50}{10} = 5 \times 1.25 = 6.25$$

You would need to charge your 100-Ampere Hour Battery for approximately 6-1/4 hours at the 10-Amp charge rate using the above example.

Using the engine start feature

Your battery charger can be used to jump start your car if the battery is low. Follow these instructions on how to use the ENGINE START feature.

1. Connect the charger to the battery. (Follow connecting instructions given in "Charging your battery" on page 6.)
Set the Selector Switch on ENGINE START.
Crank the engine for **no more than 7 seconds**.
If it does not start, **wait at least 4 minutes** before cranking again. In extreme cold or if the battery is severely discharged, charge the battery in the 10 amp position for about 5 minutes before cranking the engine.

4. After the engine starts, unplug the charger power cord from the AC outlet. Then disconnect the charger from the battery.

IMPORTANT: Do not try to start the engine without a battery in it. You could cause damage to the electrical system.

If the engine does turn over, but never starts up, there is not a problem with the starting system, there is a problem somewhere else with the vehicle. STOP cranking the engine until the other problem has been identified and corrected.

Maintenance and care

A minimal amount of care can keep your battery charger working properly for years.

1. Clean the clamps each time you are finished charging. Wipe off any battery fluid that may have come in contact with the clamps to prevent corrosion.
2. Coil the input and output cords neatly when storing the charger. This will help prevent accidental damage to the cords and charger.
3. Occasional cleaning of the case of the charger with a soft cloth will keep the finish shiny and help prevent corrosion.

PERCENT OF CHARGE NEEDED	PERCENT OF CHARGE NEEDED	PERCENT OF CHARGE NEEDED
100%	100%	100%
75%	75%	75%
50%	50%	50%
25%	25%	25%
0%	0%	0%

SEARS

OWNER'S MANUAL

Model No.
200.71310

When requesting service or ordering parts, always provide the following information:

- Product Type
- Model Number
- Part Number
- Part Description

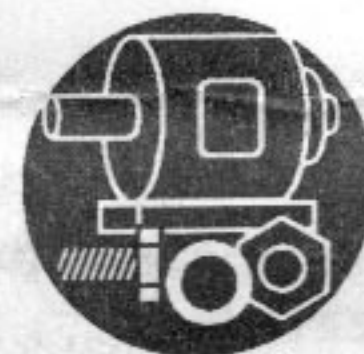
10/2/60 amp FULLY AUTOMATIC BATTERY CHARGER ENGINE STARTER

For information about troubleshooting
Call toll-free from anywhere in the U.S.A.
7 am to 4:30 pm CST Monday through Friday

1-800-SEARS-64
(1-800-732-7764)

For the repair or replacement
parts you need

Call 7 am - 7 pm, 7 days a week
1-800-366-PART
(1-800-366-7278)



For the location of a Sears Repair
Service Center in your area

Call 24 hours a day,
7 days a week

1-800-488-1222



SEARS

REPAIR SERVICES

America's Repair Specialists

Free Manuals Download Website

<http://myh66.com>

<http://usermanuals.us>

<http://www.somanuals.com>

<http://www.4manuals.cc>

<http://www.manual-lib.com>

<http://www.404manual.com>

<http://www.luxmanual.com>

<http://aubethermostatmanual.com>

Golf course search by state

<http://golfingnear.com>

Email search by domain

<http://emailbydomain.com>

Auto manuals search

<http://auto.somanuals.com>

TV manuals search

<http://tv.somanuals.com>