

OWNER'S MANUAL

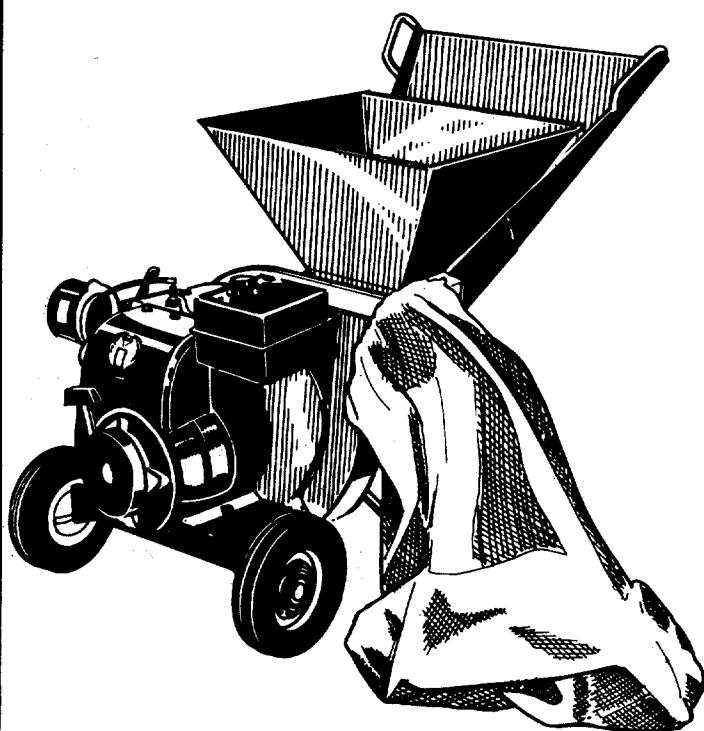
- ASSEMBLY
- OPERATION
- MAINTENANCE
- PARTS LIST

Model Nos.
247-650A
247-650-300

Important:

**Read Safety Rules and
Instructions Carefully**

POWER SHREDDER



IMPORTANT

It is suggested that this manual be read in its entirety before attempting to assemble or operate. Keep this manual in a safe place for future reference and for ordering replacement parts.

This unit is shipped WITHOUT GASOLINE or OIL. After assembly, see operating section of this manual for proper fuel and amount.

SAFE OPERATION PRACTICES FOR POWER SHREDDERS

TRAINING

1. The operator should become fully familiar with all of the different sections of the Owner's Manual before attempting to operate this equipment.
2. Children must never be allowed to operate this equipment.
3. This equipment should never be operated in the vicinity of children, pets or other persons.
4. Never run your machine in an enclosed area as the exhaust from the engine contains carbon monoxide, which is an odorless, tasteless and a deadly poison gas.
5. Never allow your hands or any part of your body or clothing inside the feeding chamber, discharge chute, or near any moving part while the machine or engine is running.
6. If it is necessary for any reason to inspect or repair the feeding chamber or any part of the machine where a moving part can come in contact with your body or clothing, stop the machine, allow it to cool, and disconnect the spark plug wire from the spark plug before attempting such inspection or repair.
3. The engine must be kept clean of debris and other accumulations.
4. Do not allow an accumulation of processed material to build up in the discharge area as this will prevent proper discharge and can result in kick-back from feed opening.
5. Never allow your hands or any other part of your body or clothing inside the feeding chamber, discharge chute or near any moving part while the engine is running.
6. Keep all guards and deflectors in place and in good working condition to assure continued safe operation.
7. Always stand clear of the discharge area when operating this machine.
8. Keep your face and body back from the feed opening to avoid accidental bounce back of any material.
9. Do not over-reach. Keep proper balance and footing at all times.
10. The engine governor settings on your machine must not be altered, changed, or tampered with. The governor controls the maximum safe operating speeds and protects the engine and all moving parts from damage caused by overspeed.

PREPARATION

1. It is recommended that the operator of this equipment obtain and wear safety glasses at all times while operating the machine.
2. Wear proper apparel, avoid wearing loose fitting clothing.
3. This machine should be operated only upon an earthen level surface.
4. Assure that all screws, nuts and bolts and other fasteners are properly secured.

OPERATION

1. When feeding shreddable material into this equipment, be extremely careful that pieces of metal, rocks, bottles, cans or other foreign objects are not included.
2. If the cutting mechanism strikes any foreign object or if your machine should start making an unusual noise or vibration, immediately stop the engine and disconnect the spark plug wire from the spark plug. Allow the machine to stop and take the following steps:
 - A. Inspect for damage.
 - B. Replace or repair any damaged parts.
 - C. Check for any loose parts and tighten to assure continued safe operation.

MAINTENANCE AND STORAGE

1. When this equipment is stopped for servicing, inspection, storage or to change an accessory, make sure the spark plug wire is disconnected from the spark plug. The machine should be allowed to cool down before making such inspection, adjustments, service, etc. Maintain your machine with care and keep it clean for the best and continued safe operation.
2. When not in use, your machine should be stored out of the reach of children. Keep where gasoline fumes will not reach an open flame or spark. For long periods of storage, the gasoline should be drained and disposed in a safe manner. Always allow the machine to cool before storing in any enclosure.

ASSEMBLY INSTRUCTIONS

1. Remove the shredder, parts pack and all literature from the carton before discarding carton.
2. Place the guide extension assembly in place on guide extension and secure with four hex bolts $\frac{1}{2}$ " long and hex nuts provided in hardware pack. See figure 1.

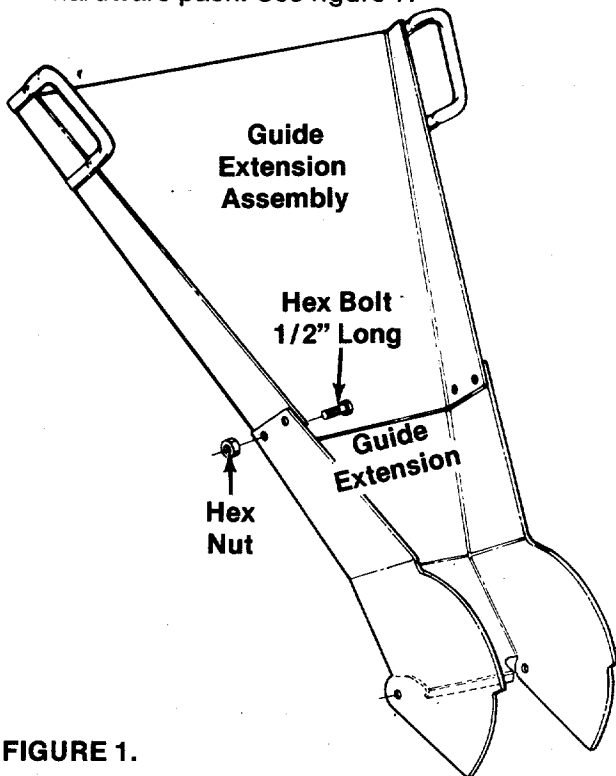


FIGURE 1.

3. Place the bag over the chute deflector and pull draw string and lock. See figure 2.

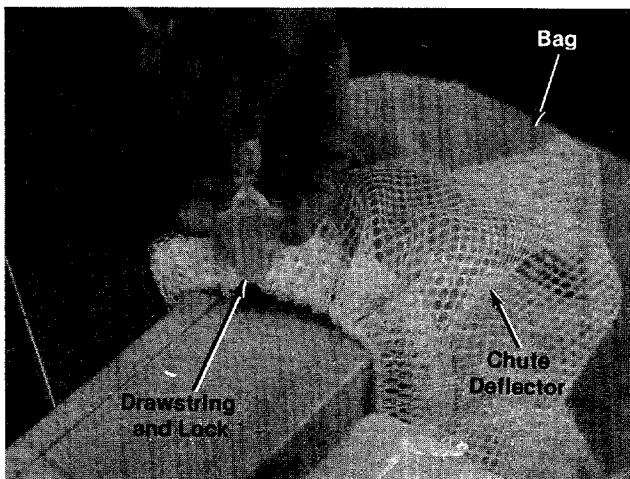


FIGURE 2.

OPERATION

1. Service engine with gas and oil. See engine manual packed with shredder for complete instructions for the care and maintenance of engine. **READ DIRECTIONS CAREFULLY.**
2. When ready to start engine, place throttle control lever in START position and start engine in accordance with instructions in engine manual. After engine starts, move throttle control lever to desired engine speed. The engine is stopped by placing control lever in the STOP position.



The manufacturer recommends that the operator wear safety glasses or some other suitable eye protection as it is possible for chips to be ejected out of the inlet openings while feeding material.

USING YOUR SHREDDER

Your shredder is designed for safe, efficient, operation. **CARE, OF COURSE, MUST BE EXERCISED THAT HANDS ARE KEPT AWAY FROM ALL OPENINGS.**

Your shredder guide extension is adjustable. It may be adjusted to desired height by loosening the hand knob as shown in figure 3.

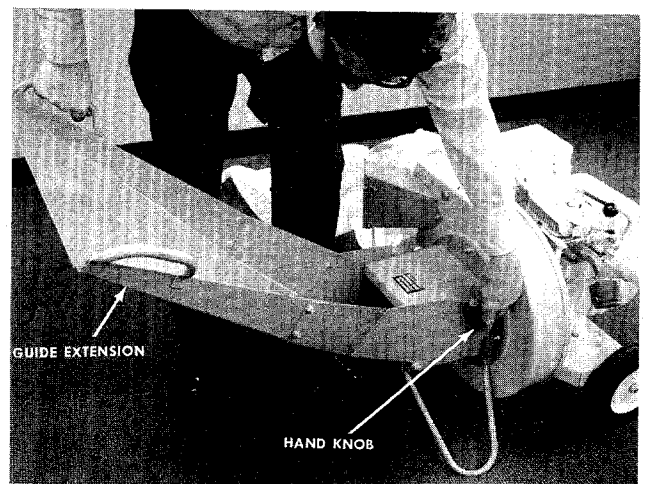


FIGURE 3. GUIDE EXTENSION ADJUSTMENT

Feed the material so that it slides down the guide extension. See figure 4.

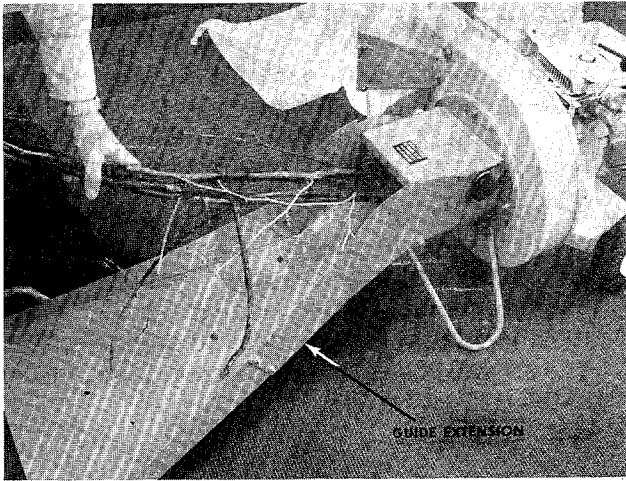


FIGURE 4. FEEDING MATERIAL INTO GUIDE

EXTENSION

A steady flow of material provides the best results. Bulky material, such as stalks or heavy branches, should be fed into the upper guide extension. See figure 5.

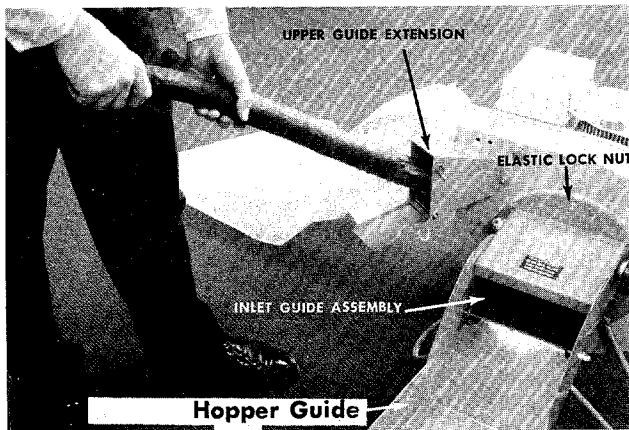


FIGURE 5. FEEDING MATERIAL INTO UPPER GUIDE

It is possible to feed too fast and you will find it will take some experimenting with feeding rates to get the most out of your shredder without stalling the engine.

Under certain conditions, it may be necessary to push the materials into the inlet guide assembly. When this becomes necessary, use a small diameter stick—NOT YOUR HANDS. The stick should be of a size that will be ground up if it gets into the impeller assembly.

The discharge chute will direct the shredded material into a pile or a container.

NOTE

Your shredder is equipped with a nylon bag with drawstring lock. This will accommodate a perforated disposable plastic bag.

CAUTION

Keep clear of the chute area since the shredded material comes out with considerable velocity. Always stop engine and disconnect spark plug wire when changing bags.

MAINTENANCE

CAUTION

Always stop engine and disconnect spark plug wire before doing any maintenance.

Cutting Blade—The blade may easily be removed for grinding or replacement as follows:

1. Remove guide extension assembly by removing four elastic locknuts (Ref. No. 11). See page 10.
2. Remove bolt (Ref. No. 38), lockwasher (Ref. No. 37), flat washer (Ref. No. 36) holding blade (Ref. No. 45) and blade retainer (Ref. No. 48) to engine crankshaft. See page 10.
3. NOTE: Blade is reversible and can be assembled to crankshaft with either side showing.

When sharpening blade, follow the original angle of grind as a guide. It is extremely important that each cutting edge receives an equal amount of grinding to prevent an unbalanced blade. An unbalanced blade will cause excessive vibration when rotating at high speeds and may cause damage to the unit. Upon reassembly, make certain all parts are assembled properly and tightened securely.

LUBRICATION

WHEELS—Wheel bearings are of lifetime Fortiflex. They require no lubrication.

ENGINE—Follow engine manual for lubrication instructions.

CAUTION

Do Not deposit material larger than ½" diameter in hopper. This may cause damage to the shredding mechanism. Any material heavier than ½" should be fed into the upper guide extension. (See figure 5.)

BEFORE STARTING



Do not mix oil with gasoline.

1. Fill fuel tank with fresh regular gasoline. (See figure 6.)
2. Fill crankcase with oil. (See figure 6.)

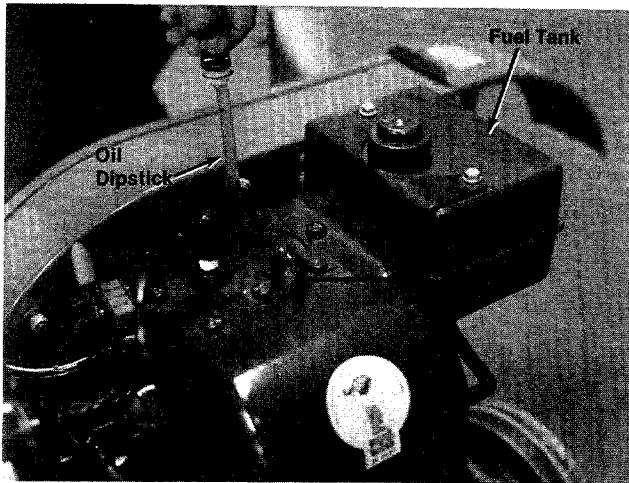


FIGURE 6.

Position equipment so that engine is setting level. Remove dip stick or oil filler plug (Figure 6.). Pour oil into oil filler tube from which dip stick was removed and fill to FULL mark on dip stick. Do not overfill. After initial filling follow instructions on dip stick. Be sure dip stick is screwed into filler opening as far as it will go when measuring oil level.

During initial break-in period, oil level should be watched closely. See ENGINE MAINTENANCE.

Use MS classification oil. Do not use oils marked only MM or ML or unmarked.

Above 32° use SAE 30; below 32° use SAE 10W. These recommendations must be followed for best performance and long life.

Change oil first two (2) hours of operation and check oil level every five (5) operating hours or each time equipment is used.

Change oil every twenty-five (25) operating hours or sooner if equipment is operated in extremely dusty or dirty conditions.



Carburetors are preset at the factory. DO NOT attempt to make adjustments at this time. See carburetor instructions outlined under CARBURETOR ADJUSTMENT.

TO START ENGINE

1. Place control lever (on engine) in START position. See figure 7.
2. Move carburetor control to CHOKE position. See figure 7.
3. Rewind starter—use quick full arm stroke. Keep firm grip on handle and return rope slowly.

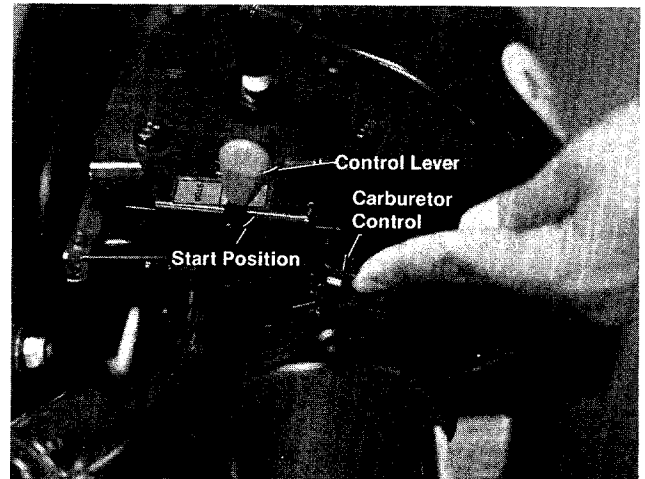


FIGURE 7.

TO STOP ENGINE

1. Move control lever to STOP position. See figure 8.
2. Remove high tension wire from spark plug to prevent accidental starting by children while equipment is unattended.

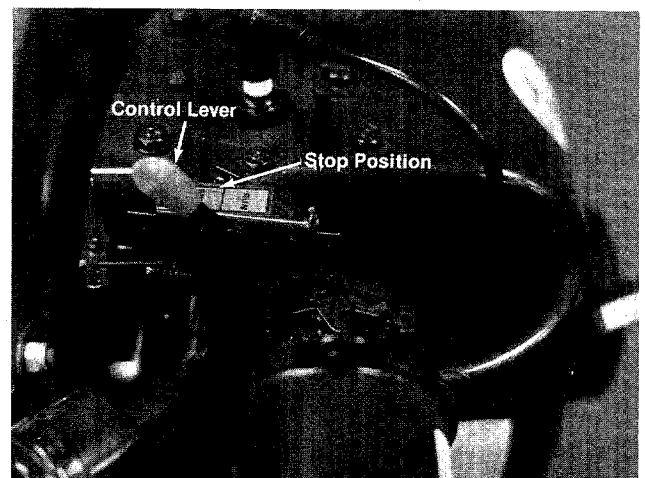


FIGURE 8.

ENGINE MAINTENANCE

To obtain long life and trouble-free service from your engine, certain normal maintenance must be performed as outlined below:

1. Change oil in crankcase after first two (2) hours of operation. Then, follow instructions outlined on page 5.



FIGURE 9.



CAUTION

Disconnect high tension wire at spark plug to prevent accidental starting of engine. Unscrew oil drain plug located on side at bottom of engine (figure 9).



NOTE

Always tip engine towards oil drain hole. Be sure oil drains completely.

Replace oil drain plug and refill with oil as directed on page 5 or engine nameplate.

2. Check oil every five (5) operating hours or each time equipment is used.

If engine has dip stick, keep oil level at mark indicated by adding if necessary.

3. Cleaning engine—This is an aircooled engine which operates most efficiently when the cooling fins are clean.

Clean cylinder fins and underside of tank or housing thoroughly of all accumulated grass and debris.

4. Air Cleaner. (See figure 10.)

- a. Paper Type Element. Remove every 10 hours or oftener if under dusty conditions. Tap to remove loose dirt and/or blow from inside out with low pressure air. Replace if torn or perforated or when plugged to maintain proper carburetor setting (50 hours). DO NOT WASH IN ANY LIQUID AND DO NOT OIL.

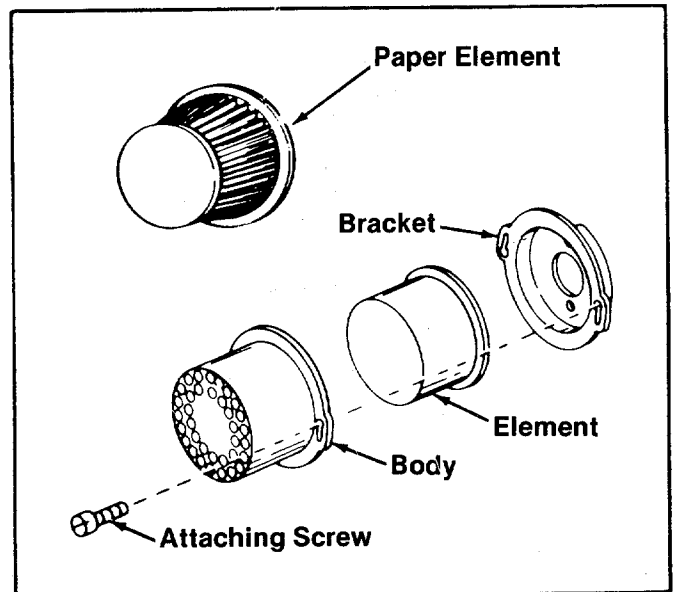


FIGURE 10.

CARBURETOR ADJUSTMENTS

Do not make unnecessary adjustment. Factory settings are correct for most application. If adjustments are needed, proceed as follows:

1. Close power adjusting needle (figure 11) by turning to right (clockwise). Close finger tight only. Forcing will cause damage.
2. Open one turn (counterclockwise).
3. Close idle adjusting needle (figure 11) by turning to right (clockwise). Close finger tight only. Forcing will cause damage.
4. Open one and one-half (1½) turns (counterclockwise).
5. Start engine. Follow starting instructions page 5.
6. With throttle open (carburetor control at RUN or FAST position) adjust power adjusting needle one-eighth (1/8) turn at a time forward or backward until engine runs smoothly. If engine tends to stall under load enrich mixture slightly (counterclockwise).
7. Hold throttle lever closed or move carburetor control to IDLE or SLOW position and adjust idle adjusting needle until engine runs smoothly proceeding as in step six (6) above.

8. Allow several seconds between each adjustment when performing either step six (6) or seven (7) to allow engine to react to new setting.

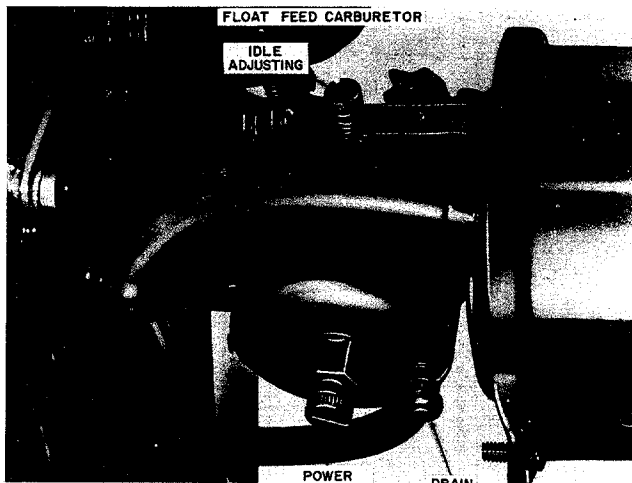


FIGURE 11.

STORAGE INSTRUCTIONS

In event engine is to be stored for any length of time (30 days or more), prepare as follows:

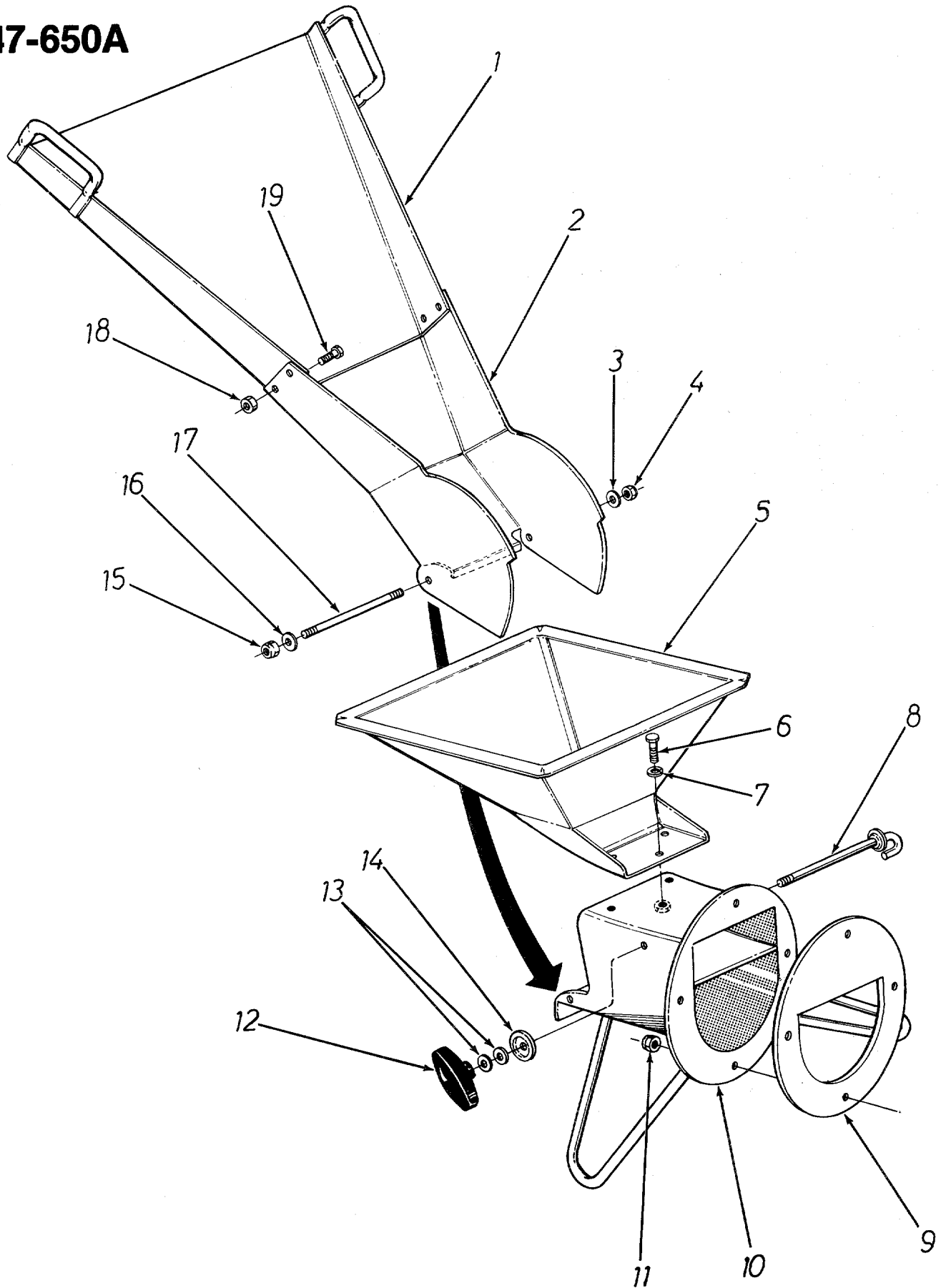
1. Drain gasoline by tipping or by syphon hose, then run engine until remainder is used and tank and carburetor are empty.



Drain into container outdoors away from fire or flame.

2. Drain carburetor by pressing upward on bowl drain (figure 11)
3. Inside protection of engine for storage is performed by removing spark plug and pouring one ounce of SAE 30 oil through spark plug hole into cylinder. Crank engine, without starting, several times to spread oil over cylinder walls.

247-650A



PARTS LIST FOR MODEL 247-650A

REF. NO.	PART NO.	COLOR CODE	DESCRIPTION	NEW PART
1	11460	—463	Guide Extension Assembly	
2	11472	—463	Guide Extension	
3	736-0264		Flat Washer 5/16" Scr.*	
4	712-0429		Elastic Stopnut 5/16-18 Thd.	
5	11481	—463	Hopper Assembly	
6	710-0621		Hex Scr. 5/16-18 x .50" Lg.*	
7	736-0119		Spring L-Wash. 5/16" Scr.*	
8	11479	—463	Clamp Rod Assembly	
9	11454	—463	Back-up Plate	
10	11467	—463	Inlet Guide Assembly	
11	712-0429		Elastic Stopnut 5/16-18 Thd.	
12	09966		Knob Ass'y.	
13	736-0264		Fl. Wash. .50" Dia.*	
14	11480		Stop Washer	
15	712-0429		Elastic Stopnut 5/16-18 Thd.	
16	736-0264		Fl. Wash. .50" Dia.*	
17	711-0566		Chute Pivot Rod	
18	712-0107		Hex Center L-Nut 1/4-20 Thd.	
19	710-0289		Hex Scr. 1/4-20 x .50" Lg.*	

*For faster service obtain standard nuts and bolts locally. If these items cannot be obtained locally, order by part number and size as shown on the parts list.

(463—Top Flite Red)

When ordering parts, if color or finish is important, use color code shown at left. (e.g. Top Flite Red Finish—11460 (463).)

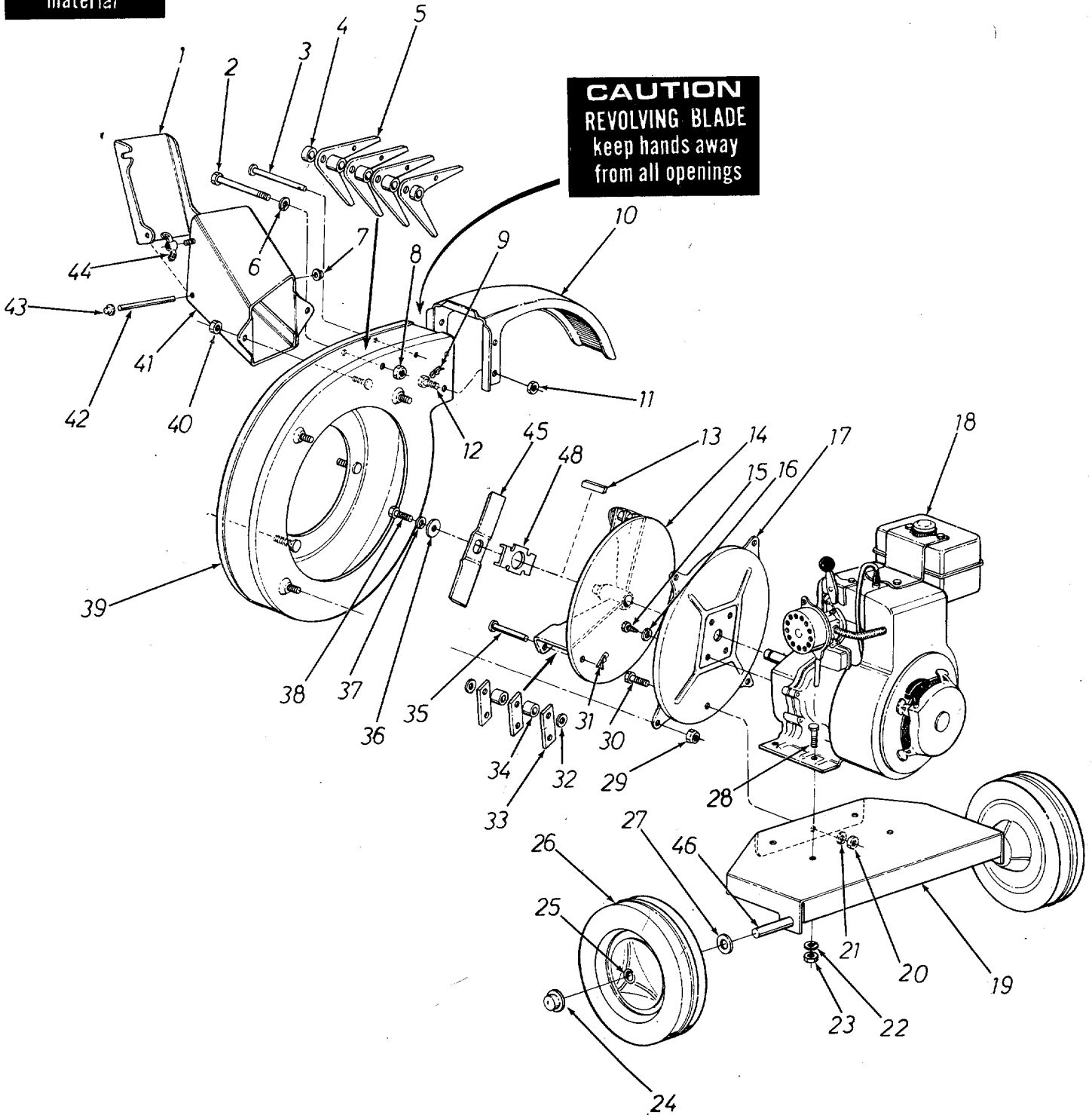
The engine is not under warranty by the mower manufacturer. If repairs or service is needed on the engine, please contact your nearest authorized engine service outlet. Check the "Yellow Pages" of your telephone book under "Engines — Gasoline."



247-650A

keep this door closed except when feeding material

CAUTION
REVOLVING BLADE
keep hands away
from all openings



PARTS LIST FOR MODEL NO. 247-650A

REF. NO.	PART NO.	COLOR CODE	DESCRIPTION	NEW PART
1	11476	—463	Door—Upper Guide Ext.	
2	710-0465		Hex Scr. 1/2-20 x 4.50" Lg.*	
3	711-0580		Clevis Pin	
4	711-0579		Flail Spacer 7/32" Lg.	
5	11455	—463	Cutting Finger	
6	736-0921		Lockwasher 1/2" Scr.*	
7	726-0111		Palnut 3/16" Dia.	
8	712-0922		Hex Jam Nut 1/2-20 Thd.*	
9	714-0507		Cotter Pin 3/32" Dia. x 3/4" Lg.*	
10	11465	—463	Chute Deflector	
11	712-0107		L-Nut 1/4-20 Thd.	
12	710-0289		Hex Scr. 1/4-20 x .50" Lg.*	
13	714-0114		Sq. Key 1/4" x 2.00" Lg.*	
14	11473	—463	Impeller Assembly	
15	710-0157		Hex Scr. 5/16-24 x 3/4" Lg.*	
16	736-0119		L-Wash. 5/16" Scr.*	
17	11452	—463	Hopper to Engine Mtg. Plate	
18	—		Engine	
19	11464	—463	Engine Mounting Plate	
20	712-0123		Hex Nut 5/16-24 Thd.*	
21	736-0119		L-Wash. 5/16" Scr.*	
22	736-0119		L-Wash. 5/16" Scr.*	
23	712-0123		Hex Nut 5/16-24 Thd.*	
24	726-0221		Push Cap	
25	07006		Fortiflex Bearing	
26	08306	—522	Wheel Ass'y.—Comp.	
27	736-0100		F. Wash. .50" I.D.*	
28	710-0624		Hex Scr. 5/16-24 x 1.50" Lg.*	
29	712-0429		Elastic Stopnut 5/16-18 Thd.	
30	710-0237		Hex Scr. 5/16-24 x .62" Lg.*	
31	714-0144		Cotter Pin 1/8" Dia. x 1.00" Lg.*	
32	736-0192		Fl. Wash. .531" I.D. x .937 O.D. x .09	
33	11459	—463	Flail	
34	711-0564		Flail Spacer 23/32" Lg.	
35	711-0578		Clevis Pin .50" Dia. x 3.0" Lg.	
36	736-0247		Fl. Wash. .406" I.D. x 1.25" O.D. Hdn.	
37	736-0217		L-Wash. 3/8" Scr. Heavy Duty	
38	710-0151		Hex Scr. 3/8-24 x 2.00" Lg. H.T.	
39	11474	—463	Flail Housing Ass'y.—Comp.	
40	712-0107		Hex Center L-Nut 1/4-20 Thd.	
41	11477	—463	Upper Guide Extension Ass'y.	
42	11478		Hinge Pin	
43	726-0111		Palnut 3/16" Dia.	
44	712-0109		Wing Nut Elastic 1/4-20 Thd.	
45	11458	—463	Blade	
46	11475	—463	Axle	
47	764-0126		Bag (Not Shown)	
48	12968	—463	Blade Retainer <i>NLA</i>	N

*For faster service obtain standard nuts, bolts and washers locally. If these items cannot be obtained locally, order by part number and size as shown on parts list.

(463—Top Flite Red)

When ordering parts if color or finish is important, use color code shown at left. (e.g. Top Flite Red Finish—11907 (463))

The engine is not under warranty by the mower manufacturer. If repairs or service is needed on the engine, please contact your nearest authorized engine service outlet. Check the "Yellow Pages" of your telephone book under "Engines — Gasoline."



PARTS INFORMATION

POWER EQUIPMENT PARTS AND SERVICE

Parts and service for all MTD manufactured power equipment are available through the authorized service firms listed below. All orders should specify the model number of your unit, parts numbers, description of parts and the quantity of each part required.

ALABAMA	BIRMINGHAM	
	Auto Electric & Carburetor Co.	2625 4th Ave. S. 35233
ARKANSAS	NORTH LITTLE ROCK	
	Sutton's Lawn Mower Shop	Rt. 4, Box 368 72117
	FORT SMITH	
	Mity Mite Motors, Inc.	2515 Towson Ave. 72901
CALIFORNIA	SAN BERNARDINO	
	Lawn Mower Supply Co.	25608 E. Baseline 92410
	SAN FRANCISCO	
	J.W. Jewett Co.	981 Folsom St. 94107
	SACRAMENTO	
	Luttig & Severson	2030 28th St. 95818
COLORADO	DENVER	
	South Denver Lawn Equip.	527 West Evans 80223
CONNECTICUT	SUFFIELD	
	The Jones & Ramsey Co.	850 Thompsonville Rd. 06078
FLORIDA	JACKSONVILLE	
	Radco Distributors	2403 Market St. 32206
	CORAL GABLES	
	Moz-All of Florida, Inc.	365 Greco Ave. 33146
GEORGIA	EAST POINT	
	East Point Cycle & Key	2834 Church St. 30344
ILLINOIS	LYONS	
	Keen Edge Co.	8615 Ogden Ave. 60534
INDIANA	ELKHART	
	Parts & Sales Inc.	2101 Industrial Pkwy. ...46514
IOWA	DUBUQUE	
	Power Lawn & Garden Equip.	2551 J.F. Kennedy 52001
KANSAS	WICHITA	
	Hixon, Inc.	3030 Mascot 67204
LOUISIANA	NEW ORLEANS	
	Suhren Engine Co.	8330 Earhart Blvd. 70118
MARYLAND	TAKOMA PARK	
	Center Supply Co.	6867 New Hampshire Ave. 20012
MASSACHUSETTS	SPRINGFIELD	
	Morton B. Collins Co.	300 Birnie Ave. 01107
MICHIGAN	MOUNT CLEMENS	
	Power Equipment Dist.	36463 South Gratiot... 48043
	LANSING	
	Lorenz Service Co.	2500 S. Pennsylvania.. 48900
MINNESOTA	MINNETONKA	
	Hance Distributing Inc.	11212 Wayzata Blvd. ...55343
MISSISSIPPI	BILOXI	
	Biloxi Sales & Service, Inc.	506 Caillavet St. 39533
MISSOURI	KANSAS CITY	
	Automotive Equip. Service	3117 Holmes St. 64109
	ST. LOUIS	
	Henzler, Inc.	2015 Lemay Ferry Rd. 63125
NEW YORK	CARTHAGE	
	Gamble Dist., Inc.	West End Ave. 13619
	SYRACUSE	
	Kimber's, Inc.	115 N. Geddes St. 13204

BRIGGS & STRATTON, TECUMSEH AND PEERLESS PARTS AND SERVICE

Briggs & Stratton, Tecumseh and Peerless parts and service should be handled by your nearest authorized engine service firm. Check the yellow pages of your telephone directory under the listing *Engines Gasoline*, Briggs & Stratton or Tecumseh Lauson

NORTH CAROLINA	GREENSBORO	
	Dixie Sales Company	327 Battleground Ave.. 27402
	GOLDSBORO	
	Smith Hardware Co.	515 N. George St. 27530
OHIO	WADSWORTH	
	National Central	687 Seville Rd. 44281
	CLEVELAND	
	Bleckrie, Inc.	7900 Lorain Ave. 44102
	CARROL	
	Stebe's Mid-State Mower Supply Box 366 43112
	WILLARD	
	Sunshine Wholesale Tire Outlet Route 224 44890
	MANSFIELD	
	McClure Lawn & Garden Supply	1114 Lexington Ave. . 44903
OKLAHOMA	MUSKOGEE	
	Victory Motors, Inc.	605 S. Cherokee 74401
	ADA	
	Ada Auto Supply	301 E. 12th St. 74820
OREGON	PORTLAND	
	Kenton Supply Co.	8216 N. Denver Ave. . 97217
PENNSYLVANIA	LANCASTER	
	Raub Supply Co.	James & Mulberry Sts...17604
	PITTSBURGH	
	Bluemont Co.	11125 Frankstown Rd.. 15235
TENNESSEE	KNOXVILLE	
	Master Repair Service	2423 Broadway, N.E. ...37917
	MEMPHIS	
	Memphis Cycle & Supply Co.	421 Monroe Ave. 38103
	American Sales & Service, Inc.	1922 Lynnbrook 38116
TEXAS	DALLAS	
	Marr Brothers, Inc.	423 E. Jefferson 75201
	HOUSTON	
	Bullard Supply Co.	2409 Commerce St. 77003
	SAN ANTONIO	
	Catto & Putty, Inc.	P.O. Box 240878206
	FORT WORTH	
	Woodson Sales Corp.	1702 N. Sylvania 76111
UTAH	SALT LAKE CITY	
	A-1 Engine & Mower Co.	437 E. 9th St.84111
VERMONT	BURLINGTON	
	Vermont Appliance Co.	44 Lakeside Ave.05401
VIRGINIA	RICHMOND	
	RBI Corp.	963 Myers St. 23260
WASHINGTON	SEATTLE	
	Bailey's Rebuild, Inc.	1325 E. Madison St. ...98102
WEST VIRGINIA	CHARLESTON	
	Young's, Inc.	233 Virginia St., E. ... 25301
WISCONSIN	APPLETON	
	Automotive Supply Co.	123 S. Linwood Ave. ...54911

WARRANTY PARTS AND SERVICE POLICY

The purpose of warranty is to protect the customer from defects in workmanship and materials, defects which are NOT detected at the time of manufacture. It does not provide for the unlimited and unrestricted replacement of parts. Use and maintenance are the responsibility of the customer. The manufacturer cannot assume responsibility for conditions over which it has no control. Simply put, if it's the manufacturer's fault, it's the manufacturer's responsibility; if it's the customer's fault, it's the customer's responsibility.

CLAIMS AGAINST THE MANUFACTURER'S WARRANTY INCLUDES

1. Replacement of Missing Parts on new equipment.
2. Replacement of Defective Parts within the warranty period.
3. Repair of Defects within the warranty period.

All claims MUST be substantiated with the following information:

1. Model Number of unit involved.
2. Date unit was purchased or first put into service.
3. Date of failure.
4. Nature of failure.

Free Manuals Download Website

<http://myh66.com>

<http://usermanuals.us>

<http://www.somanuals.com>

<http://www.4manuals.cc>

<http://www.manual-lib.com>

<http://www.404manual.com>

<http://www.luxmanual.com>

<http://aubethermostatmanual.com>

Golf course search by state

<http://golfingnear.com>

Email search by domain

<http://emailbydomain.com>

Auto manuals search

<http://auto.somanuals.com>

TV manuals search

<http://tv.somanuals.com>