

Save This Manual
for Future Reference

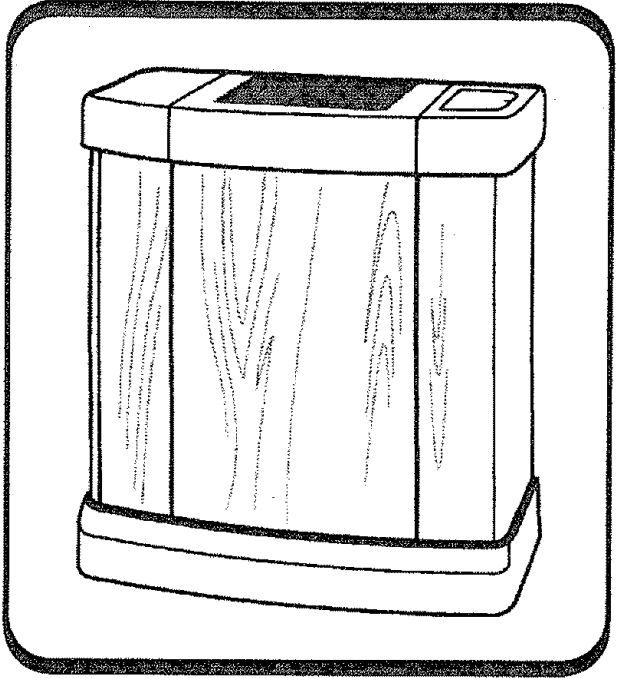
SEARS

owner's
manual

Model No.

758.144510

7 Gallon



Kenmore[®]
QUIET COMFORT

**WHOLE HOUSE
HUMIDIFIER**

7 Gallon Output

- Operating Instructions
- Parts List

**FOR YOUR
SAFETY**

READ ALL
INSTRUCTIONS
CAREFULLY

Sears, Roebuck and Co., Hoffman Estates, IL 60179 U.S.A.

Part No. SP6054

Printed in Canada

FULL ONE YEAR WARRANTY ON HUMIDIFIER

If within one (1) year from the date of purchase, this humidifier fails due to a defect in material or workmanship, Sears will repair it, free of charge. If within two (2) years from the date of purchase, the motor fails due to defect in material or workmanship, Sears will repair it free of charge.

This warranty service is available by simply returning the humidifier to the nearest Sears Service Center/Department throughout the United States.

This warranty applies only while this product is used in the United States.

This warranty gives you specific legal rights, and you may also have other rights which vary from state to state.

Sears, Roebuck and Co., D/817 WA, Hoffman Estates, IL 60179

GENERAL SAFETY INSTRUCTIONS

Safety Signal Words

DANGER: means if the safety information is not followed someone will be seriously injured or killed.

WARNING: means if the safety information is not followed someone could be seriously injured or killed.

CAUTION: means if the safety information is not followed someone may be seriously injured.

1. To avoid fire or shock hazard, plug humidifier directly into a 120V, A.C. electrical outlet. Do not use extension cords.
2. Keep the electric cord out of traffic areas. To avoid fire hazard, never put the electric cord under rugs, near heat registers, radiators, stoves or heaters.
3. Always unplug the humidifier before moving it, removing the housing section, before cleaning, or whenever the humidifier is not in service.

4. Keep the humidifier clean.
5. Do not put foreign objects inside the humidifier.
6. Never use your humidifier while any part is missing or damaged in any manner.
7. To avoid electrical hazard or damage to humidifier, do not tilt, jolt or tip humidifier while unit is running.
8. To avoid damage to humidifier, unplug humidifier, when water reservoir is empty or when the humidifier is not in use.
9. To avoid accidental electrical shock, do not touch the cord or controls with wet hands.
10. Note the warning label shown below and on the humidifier.

WARNING: To reduce the risk of fire, electric shock, or injury always unplug before filling, servicing or cleaning.

Table of Contents

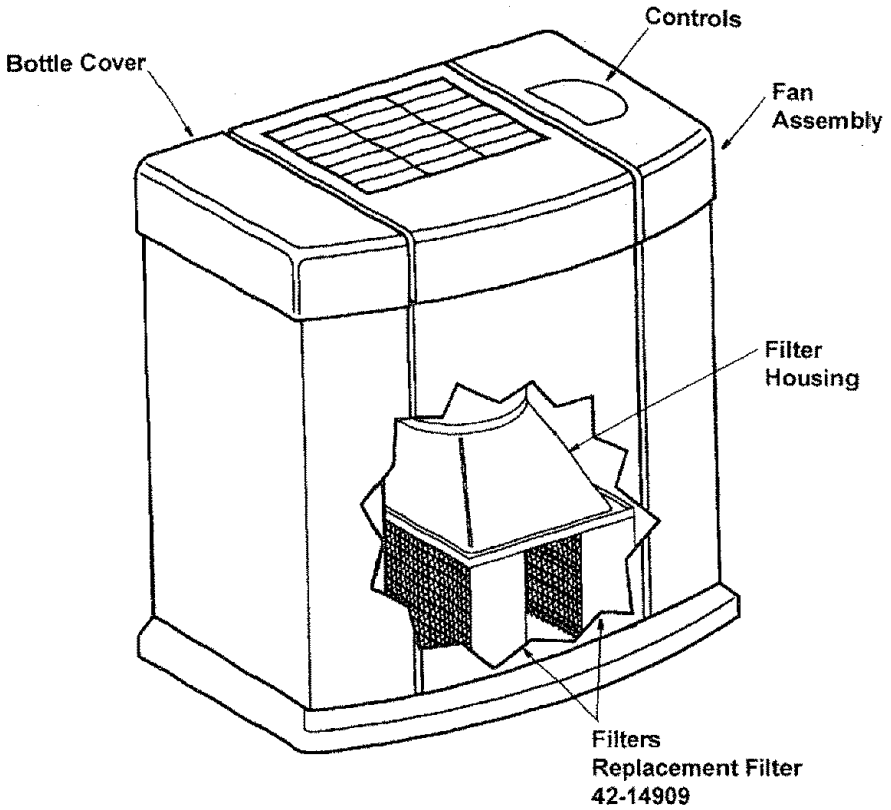
Warranty Information	2	Water Fill	6-7
General Safety Instructions	2	Operating Humidifier Controls	7
To Save a Service Call	2	Using Your Humidifier	8
Know Your Humidifier	3	Operating Tips for Best Performance	8
Humidifier Operations	4	Replacement and Care of Filters	9-10
Assembly	4	Cleaning of Humidifier	11-12
Location Instructions	5	Troubleshooting	13
Electrical Hook-Up	5	Repair Parts	14-15

To Save a Service Call

Check following if your humidifier will not operate.

1. Is power cord attached to outlet?
2. Is there electrical power to outlet?
3. Is airflow control in operating position?
4. Is humidity control set high enough?
5. Is the cabinet setting on a level surface?

Know Your Humidifier



Description	758.144510
Gallon Output/24 Hrs.	7
Capacity of Bottle	2.5 Gallons
Sq. Ft. Coverage	1500
Run Time	25 Hours
Fan Speeds	3
Filters	2
Fill Light	Yes
Water Level Indicator	Yes
Auto Humidistat	Yes
Auto Shut Off	Yes
Controls	Rotary
U.L. Listed	Yes
AHAM Certified	Yes
Volts	120 A.C.
Hertz	60
Amps	1.14
Watts	65

Humidifier Operations

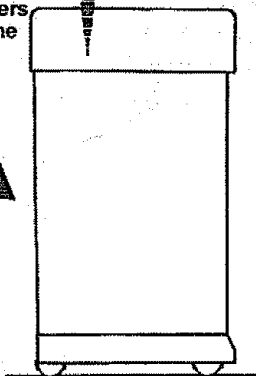
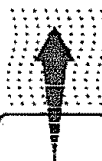
Your new Sears humidifier is designed to satisfy home humidity requirements through the principle of evaporation of water into the air.

After water is added to the bottle, the filters begin to soak up the water and become totally saturated in approximately 30 minutes. Air is drawn in from the rear of the humidifier, then passes through the filters by means of a circulation fan. As air passes through the filters, moisture is absorbed into the air and then released through the top of the humidifier. This moist air is released in the form of vapor. No water droplets will enter the home. All evaporation into the air takes place in the humidifier, which means that the residue left by evaporating water is not passed into the home, but remains in the filter.

Dry Air Enters Through the Rear



Humidified Air is Then Released Through the Top



CAUTION: Use only 42-14900 EPA Registered Bacteriostat available from SEARS Retail store. Under no circumstances should you use water treatment products designed for Roto belt or Ultrasonic humidifiers.

CAUTION: Keep your humidifier clean. While humidifiers do not cause colds, some studies suggest that dirty humidifiers can cause cold-like symptoms in some people. To avoid this, we recommend you clean your humidifier weekly with Humidifier Cleaner 42-14713 and use Bacteriostat 42-14900. These are available at your local Sears store.

Assembly

Your new Sears Kenmore humidifier is completely assembled for you to use.

Follow the instructions of this owner's manual for proper usage.

Location Instructions

WARNING: For your own safety, do not use humidifier if any parts are damaged or missing.

Step 1

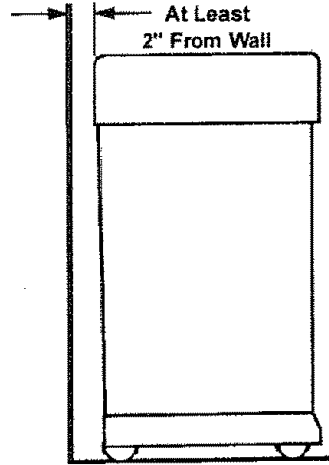
Place humidifier on a flat level surface in area of house where most humidity is needed, or one which would likely result in moist air being circulated throughout the house such as near a cold air return. Placing the unit level is very important if the humidifier is located on carpeting.

Moist air (humidity) produced will disperse into the whole house, but area closest to unit will have the highest humidity. If the unit is positioned close to a window, condensation may form on the window pane. If this is not appropriate the unit should be repositioned in another location.

NOTE: Due to release of cool, moist air from humidifier, it is best to direct air away from home thermostat and hot air registers. It is best to position humidifier next to an inside wall. Hot air registers and cold air from outside walls can affect the efficiencies of the controls. Unit should not be placed where warm air from a hot air register blows directly on unit.

Step 2

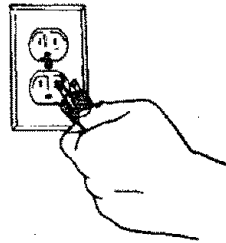
The humidifier should be positioned with the back (cord exit side), at least 2 inches away from the wall. Air needs to enter through louvers in the rear panel in order for the humidifier to operate at peak efficiency.



Electrical Hook-Up

Locate nearest 120V A.C. wall socket in the location desired, preferably on inside wall. Plug in the electrical cord.

WARNING: To reduce the risk of fire or shock hazard, humidifier should be plugged into a 120V A.C. outlet. Do not use extension cords.



Water Fill

WARNING: To reduce the risk of shock, always unplug humidifier before, cleaning, or servicing.

WARNING: To reduce the risk of fire or shock hazard, do not pour or spill water into control or motor area. Close the control cover. If controls get wet, let them dry completely and have unit checked by authorized service personnel before plugging in.

This humidifier is designed for use with the water bottle located under the bottle cover to the left of the fan assembly. The unit should be positioned where it will be operating.

To fill the whole house humidifier, close the control cover and remove the bottle cover. To remove the water bottle, lift the bottle straight up and out of the cabinet.

The water bottle is designed with an "E-Z-Fill Side-Cap". Remove the "E-Z-Fill Side-Cap" on the side of the water bottle by twisting counterclockwise.

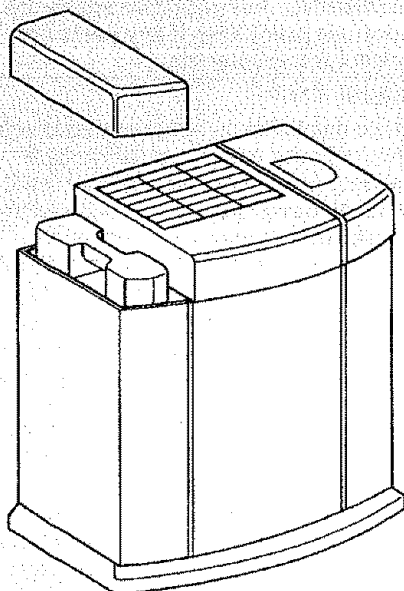
Place the opening of the water bottle under a water faucet (the bottle should fit under a four-inch clearance faucet). Fill with recommended mixture of cold water and Sears Bacteriostat #42-14900 only. Solid debris could make the valve leak.

Install the "E-Z-Fill Side-Cap" by twisting clockwise. Hand tighten only.

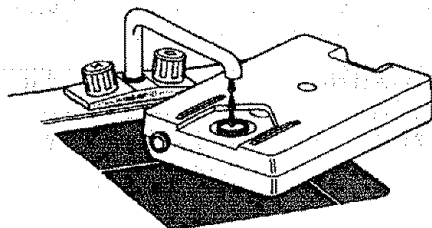
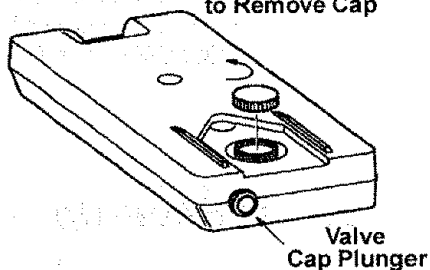
Check for possible leaks by performing the following:

1. Grasp bottle handle and hold the bottle upright over a sink.
2. Press up on valve cap plunger for about one second to let out a little water.
3. Release the plunger.
4. Listen for air bubbles. Look for leaks around "E-Z-Fill Side-Cap".
5. If you hear air bubbles or see leaks, retighten "E-Z-Fill Side-Cap" and repeat steps 1-4.

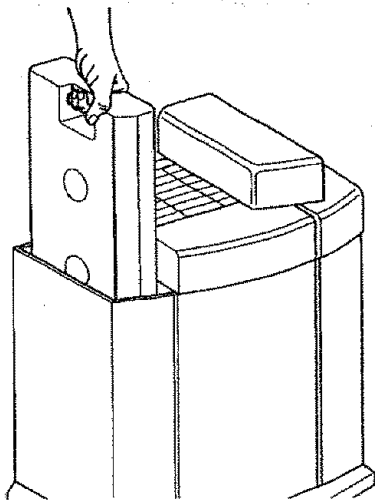
Wipe off excess water from the bottle. Position the water bottle back into the unit.



Turn Counterclockwise to Remove Cap



Grasp the water bottle handle, and lower into the cabinet. The "E-Z-Fill Side-Cap" must be facing the center of the cabinet. When positioned properly, the plunger will open and water will flow into the cabinet. The water level will automatically remain at approximately 1" until the bottle is empty. The unit is now ready for operation.



Operating Humidifier Controls

The operating controls of your Kenmore Quiet Comfort whole house humidifier are located on the top right of the humidifier. The controls are found under the smoked control cover.

Lift the control cover by placing your finger in the round cutout and lifting. The cover will stay open. Now you can clearly see the control area. Familiarize yourself with the controls and reference the diagram of the control area for the correct naming used in this manual.

To Operate the Controls

Humidity Control:

Adjust the amount of humidity depending on your needs. The humidifier will turn on and off as required to maintain level of humidity selected. MEDIUM setting is recommended, but there are times when low or high amount of humidity may be preferred. For constant operation of humidifier, MAX allows for the maximum amount of humidity to be evaporated into the air continuously.

IMPORTANT: Water damage may result if condensation starts to form on windows or walls. Humidity Control setting should be lowered until condensation no longer forms.

Speed Control

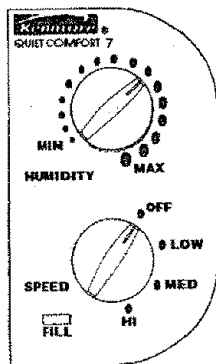
The higher the air flow speed, the more water is evaporated and released into the air. Low speed is the quietest and is provided for conditions that may not require as high an evaporation rate.

Fill Light

When the unit has a small amount of water left in it, the fill light will come on and the unit will automatically shut off.

Fan Control

Your Kenmore Quiet Comfort Whole House humidifier has a three speed fan control switch. (Low, Medium and High) The maximum humidity output is obtained with the fan control on high.



Humidifier Control

Using Your Humidifier

Step 1

Be sure unit is full of water and plugged in.

Step 2

Set the Fan selection switch to the desired fan speed.

Step 3

Set Humidity Control to medium position.

NOTE: Humidifier should operate with humidity control on the recommended MEDIUM setting. If it does not, the humidity is at a relatively high level. To test the unit under this condition, turn Humidity Control all the way to MAX and unit should begin to operate. After unit has been tested, set Humidity Control to MEDIUM or desired level.

Allow 24 hours for humidifier to adjust.

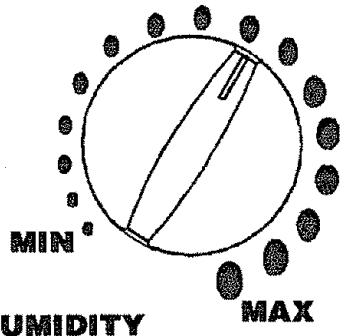
If humidity level in home is sufficient, the humidifier will only operate with Humidity Control set on maximum.

IMPORTANT: Water damage may result if condensation starts to form on windows or walls. Humidity Control setting should be lowered until condensation no longer forms.

Step 4

If humidifier stops running, the humidity level is at the normal requirements for that setting or it is adjusting to the home conditions. The table below shows approximate relative humidity percentages which correspond to the various settings of the Humidity Control.

When Outdoor Temperature is:	Recommended Indoor Relative Humidity is:
-10°F	20%
0°F	25%
10°F	30%
20°F & above	35%



Operating Tips for Best Performance

1. Position the humidifier at least 2 inches from any wall and away from any heat registers.
2. Do not restrict airflow from entering or exiting the humidifier.
3. Use Sears recommended bacteriostat 42-14900 to retard bacteria growth that may cause odors and may be harmful to your health.
4. Regular cleaning as instructed in the "Cleaning of Humidifier" section of this manual is recommended.
5. Replacement of the evaporative wicking filter at least once per humidification season or more depending on water conditions in your area.

Replacement and Care of Filters

WARNING: To reduce the risk of shock or injury from moving parts, always unplug humidifier before removing or replacing any parts.

CAUTION: To help retard bacteria growth and keep maximum efficiency, the filters should be replaced at least once a season, or more often under hard water conditions. Use Sears recommended replacement filter.

All filters may be rinsed in clear water only. Take care not to damage paper.

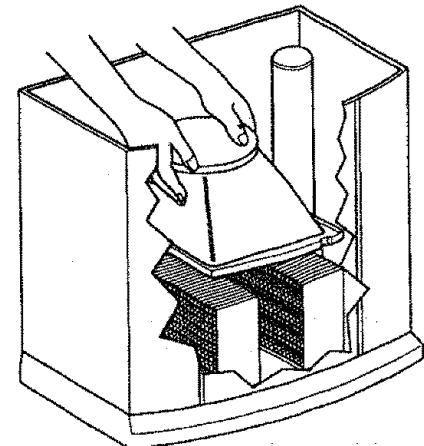
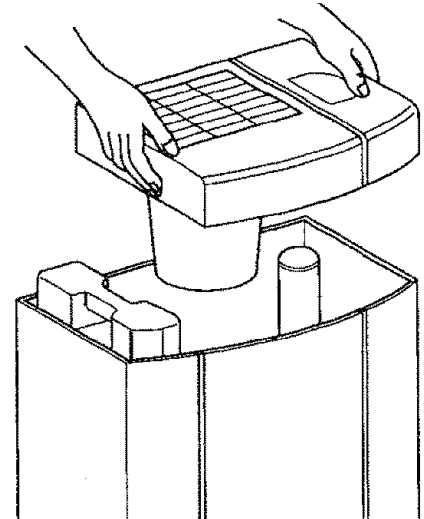
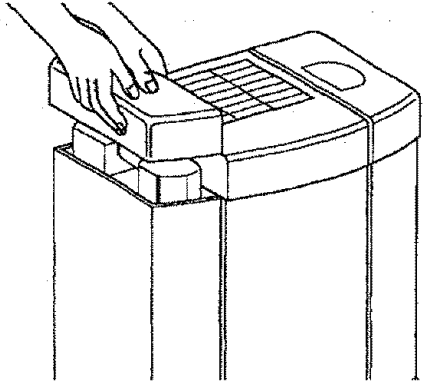
To replace the evaporative wicking filters in your Kenmore Quiet Comfort Whole House humidifier, follow the instructions below.

1. Unplug humidifier, and proceed to clean.

Before removing the filters, we recommend moving the humidifier to an area where floor coverings are not susceptible to water damage, i.e. kitchen or bath areas.

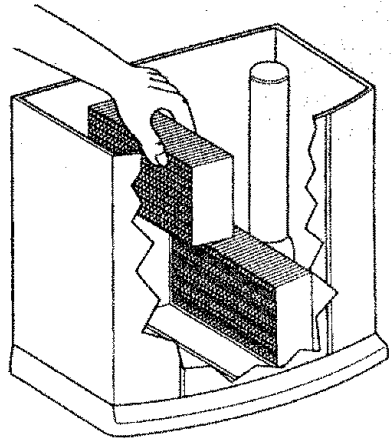
2. To remove parts

Remove the water bottle cover. Lift the fan assembly and set aside on a clean flat surface. Remove the water bottle. Lift and remove the filter housing from the cabinet and set to the side. The paper filters are now accessible.

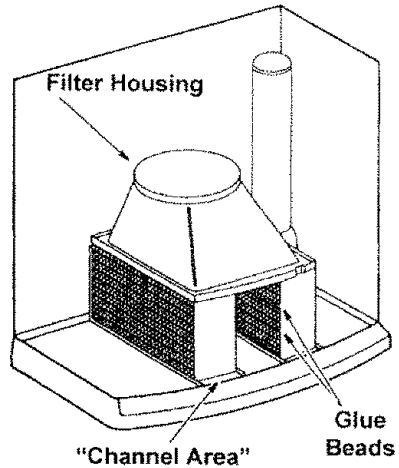


Replacement and Care of Filters (continued)

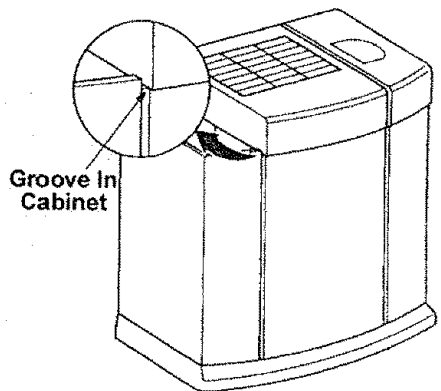
3. a. Remove the two filters and dispose of properly.
- b. Clean internal parts of humidifier per the "Cleaning of Humidifier" section of your owner's manual.



- c. Install new filters inside the cabinet with the glue beads on the filter facing the center of the cabinet. The filters should set into the channel areas inside the cabinet. Make sure the filters are resting on the floor of the cabinet.
- d. Return the filter housing to the cabinet. Position the filter housing onto the filters. Align the back of the filter housing over the filters and between the rear ribs of the cabinet. Place the filter housing down onto the filters. Make sure the filters are captured inside the side flanges of the filter housing.



- e. Position fan assembly onto the cabinet. Make sure the fan venturi (lowest cylinder section below the fan) is placed inside the filter housing. The left edge of the fan assembly housing should rest in the groove of the cabinet.
- f. Replace the water bottle and the water bottle cover. The right edge of the bottle cover will rest in the groove of the cabinet mentioned above.
- g. The unit is ready for use or to be stored away for next season.



Cleaning of Humidifier

CAUTION: To reduce the risk of injury, fire or damage to humidifier, use only cleaners specifically recommended for humidifiers. Never use flammable, combustible or poisonous materials to clean your humidifier. To avoid scalds and damage to humidifier, never put hot water in humidifier.

CAUTION: Local water purity may vary from area to area and under certain conditions water impurities and airborne bacteria may promote the growth of microorganisms in the reservoir of a humidifier.

To retard bacteria growth that may cause odors and be harmful to your health, use only Sears replacement filters. We also recommend using a EPA approved bacteriostat, 42-14900 and humidifier cleaner 42-14713, available at your local Sears store.

NOTE: If it is necessary to use approved bacteriostat, follow the directions correctly.

The bottle of the whole house humidifier will hold 2-1/2 gallons of water.

Step 1

To make cleaning easier, the water reservoir should be empty and completely dried out. To accomplish this, use the following method:

- a. Allow the humidifier to run until the automatic shutoff turns the humidifier "OFF".
- b. Unplug humidifier

WARNING: If humidifier is not unplugged, fan could start after housing is removed.

- c. Follow instructions in step 2 below "To Remove Parts".
- d. After removing the parts, dry out the bottom of the humidifier cabinet.
- e. Proceed to "Bi-Weekly Maintenance" or "End of Season Maintenance".

Step 2

To Remove Parts

- a. Remove the water bottle cover and the water bottle. Set parts aside.
- b. Lift and remove the fan assembly and set aside.
- c. Remove the filter housing. Before removing the internal parts of the humidifier cabinet, we recommend moving the humidifier to an area where floor coverings are not susceptible to water damage. i.e., kitchen or bath area.
- d. Remove the filters and the water level float.
- e. The cabinet should be empty, if any water is in the cabinet, empty as necessary.
- f. Proceed to "Bi-Weekly Maintenance" or "End of Season Maintenance". Continue to clean cabinet and internal parts as described below.

Step 3

Install new filters (purchase the correct evaporative wicking filter pads 42-14909 for your humidifier) into the location where the old filters were positioned. Replace filter housing. Reinstall the water level float into the cabinet. Position the fan assembly on top of the cabinet and replace the water bottle and water bottle cover. The unit is ready for storage or operational use.

Cleaning of Humidifier (continued)

Bi-Weekly Maintenance

Removing Scale

1. Fill the water reservoir with one 8 oz. cup of undiluted white vinegar. Let solution stay 20 minutes.
2. Clean all interior surfaces with soft brush. Dampen soft cloth with undiluted white vinegar and wipe out the water reservoir to remove scale.
3. Rinse thoroughly with clean warm water to remove scale and cleaning solution before disinfecting the water reservoir.
4. Dust the fan assembly and outside surfaces with a soft cloth only.

Disinfecting Water Reservoir and Base

1. Fill water reservoir with 1 teaspoon chlorine bleach in 1 gallon water. Let solution stay 20 minutes, swishing every few minutes. Wet all surfaces normally exposed to water.
2. Empty water reservoir after 20 minutes.

- Rinse with water until bleach smell is gone. Allow unit to dry out completely.
3. Water bottle should be cleaned in same manner.

End of Season Maintenance

1. Follow bi-weekly maintenance instructions at end of humidification season or when humidifier will not be used for at least one week or more.
2. Remove and throw away filters.
3. Let humidifier dry completely before storing. Do not store with water inside cabinet or water bottle.
4. Store in cool, dry location.
5. Install new filters in clean humidifier before next season begins.

Troubleshooting

Trouble	Probable Cause	Remedy
Unit will not run.	<ul style="list-style-type: none"> • Humidity level is too high • No power 	<ul style="list-style-type: none"> • Raise humidistat setting • Check 120 volt power source
Unit will not shut off.	<ul style="list-style-type: none"> • Float is not free 	<ul style="list-style-type: none"> • Free float from obstruction
Unit will not dry out completely	<ul style="list-style-type: none"> • Water is present in the system • High humidity or low temperature resulting in slow evaporation 	<ul style="list-style-type: none"> • This is normal. A small amount of water remains in the cabinet. • Allow unit to continue operation.
Bottle continues to empty.	<ul style="list-style-type: none"> • Air is entering water reservoirs. 	<ul style="list-style-type: none"> • Check "E-Z-Fill Side-Caps" to ensure tightness. • Check for leak in water bottle. • Are gaskets for "E-Z-Fill Side-Caps" in place (see repair parts list).
Unit is not emptying.	<ul style="list-style-type: none"> • Dirty filter • Reservoir cap plunger missing post in bottom of cabinet. 	<ul style="list-style-type: none"> • Change to a fresh new filter. • Check orientation of bottle. Reposition so that reservoir cap plunger is depressed by post in bottom of cabinet.
Unit runs and shuts off before bottle is empty	<ul style="list-style-type: none"> • Humidity level is too high • Unit is not setup on a level surface (Float will not sense water at the rear of the cabinet. 	<ul style="list-style-type: none"> • Raise humidistat setting (if possible) • Position unit level (Some carpet padding may allow unit to set lower on the left side than the right side due to the weight of the water bottle on left side. Install coasters under left casters.)

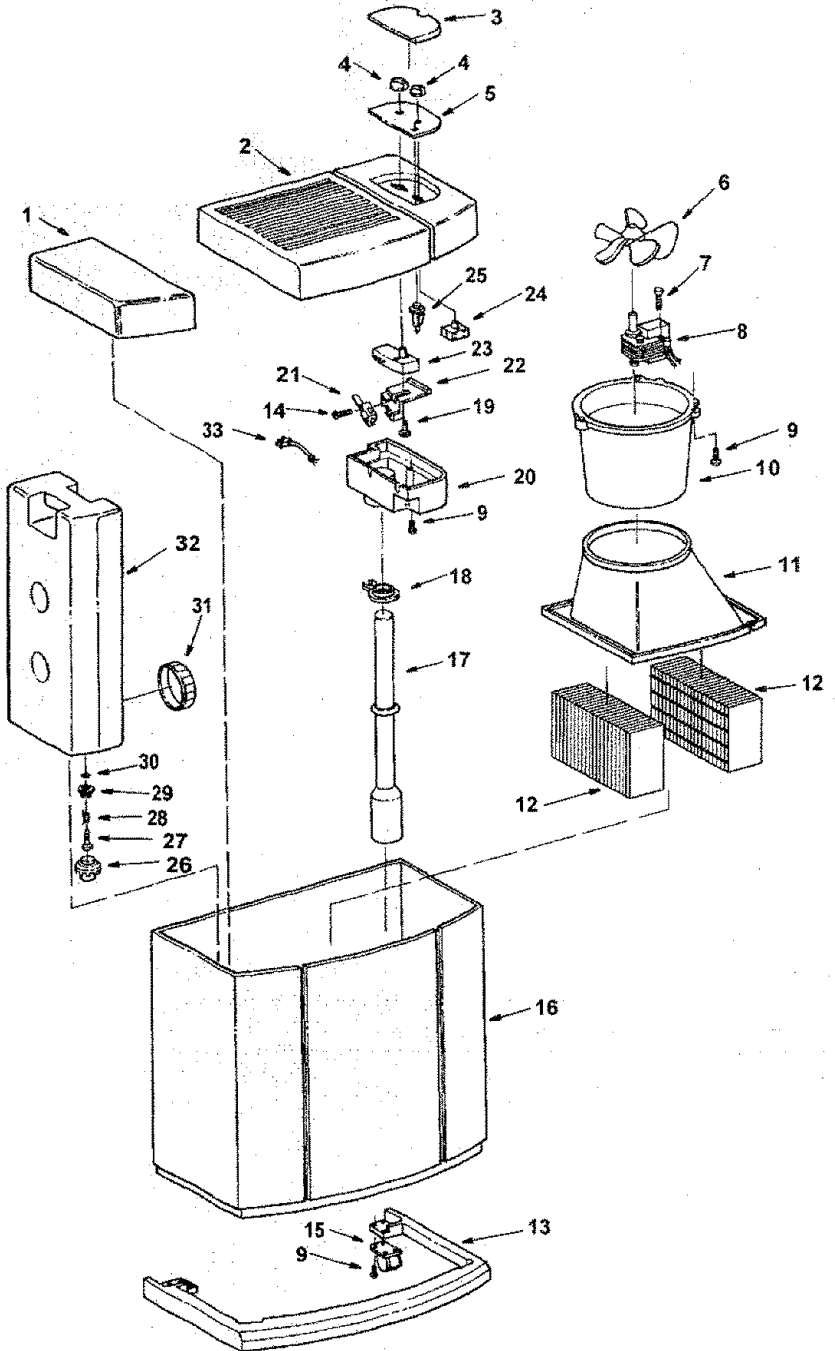
CAUTION: Use only 42-14900 EPA Registered Bacteriostat available from Sears Retail store.

Use of other water treatment products may damage the filter elements.

Under no circumstances should you use water treatment products designed for Roto belt or Ultrasonic humidifiers.

Repair Parts

Parts List For Sears Humidifiers Model No. 758.144510



Repair Parts

Parts List For Sears Humidifiers

Model No. 758.144510

Always order by part number - Not by key number

Key No.	Part No.	Description
1	825807	Cover, Bottle
2	825837	Lid Stationary
3	825809	Cover Control
4	822452-2	Knob
5	825857	Label Control
6	822406-1	Fan
7	816069-2	Scr Pan Hd "AB" #6 x 1-3/4
8	822405-6	Motor
9	STD611007	* Scr. Pan Hd. Ty "AB" 10 x 3/4
10	823735	Support Motor
11	825848	Housing Filter
12	42-14909	† Filter Evaporative
13	825847	Rail Kick
14	14909	Scr. Pan Hd. Ty "B" #4 x 5/8
15	822120	Caster Twin Wheel
16	825867	Cabinet
17	823712-2	Float Water Level
18	824101-1	Retainer Float
19	STD610803	* Screw Pan Hd. Ty "AB" 8 x 3/8
20	825806	Cover Electronics
21	823728	Switch Micro
22	825855	Retainer Micro Switch
23	13805-02	Humidistat
24	818983	Switch Three Speed
25	825858	Light Pilot
26	822419-2	Cap Valve
27	819027	Stem Valve
28	819026	Spring Valve
29	821421-1	Ring "O"
30	819024	Seal Valve
31	824690	"E-Z-Fill Side-Cap"
32	825849	Bottle
33	821904	Cord w/Plug
—	SP6054	Owners Manual (Not Illustrated)

*Standard Hardware Item - May be purchased locally

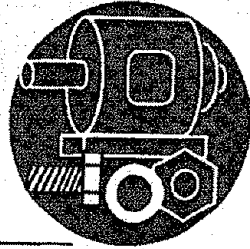
† Stock item - May be secured through the Hardware Department of most Sears retail stores.

For the repair or replacement parts you need

Call 7 am - 7 pm, 7 days a week

1-800-366-PART

(1-800-366-7278)



For in-home major brand repair service

Call 24 hours a day, 7 days a week

1-800-4-REPAIR

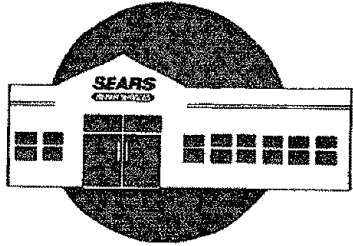
(1-800-473-7247)



**For the location of a
Sears Repair Service Center in your area**

Call 24 hours a day, 7 days a week

1-800-488-1222



**For information on purchasing a Sears
Maintenance Agreement or to inquire
about an existing Agreement**

Call 9 am - 5 pm, Monday-Saturday

1-800-827-6655



SEARS
REPAIR SERVICES

America's Repair Specialists

The model number will be found on the Humidifier identification label.

When requesting service or ordering parts, always provide the following information:

- Product Type
- Model Number
- Part Number
- Part Description

© 1998 Emerson Electric Co.

Sears, Roebuck and Co., Hoffman Estates, IL 60179 U.S.A.

Part No. SP6054

Form No SP6054-1

Printed in Canada 6/98

Free Manuals Download Website

<http://myh66.com>

<http://usermanuals.us>

<http://www.somanuals.com>

<http://www.4manuals.cc>

<http://www.manual-lib.com>

<http://www.404manual.com>

<http://www.luxmanual.com>

<http://aubethermostatmanual.com>

Golf course search by state

<http://golfingnear.com>

Email search by domain

<http://emailbydomain.com>

Auto manuals search

<http://auto.somanuals.com>

TV manuals search

<http://tv.somanuals.com>