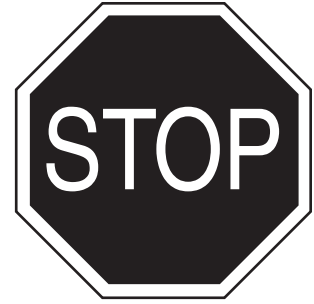


# Owner's Manual

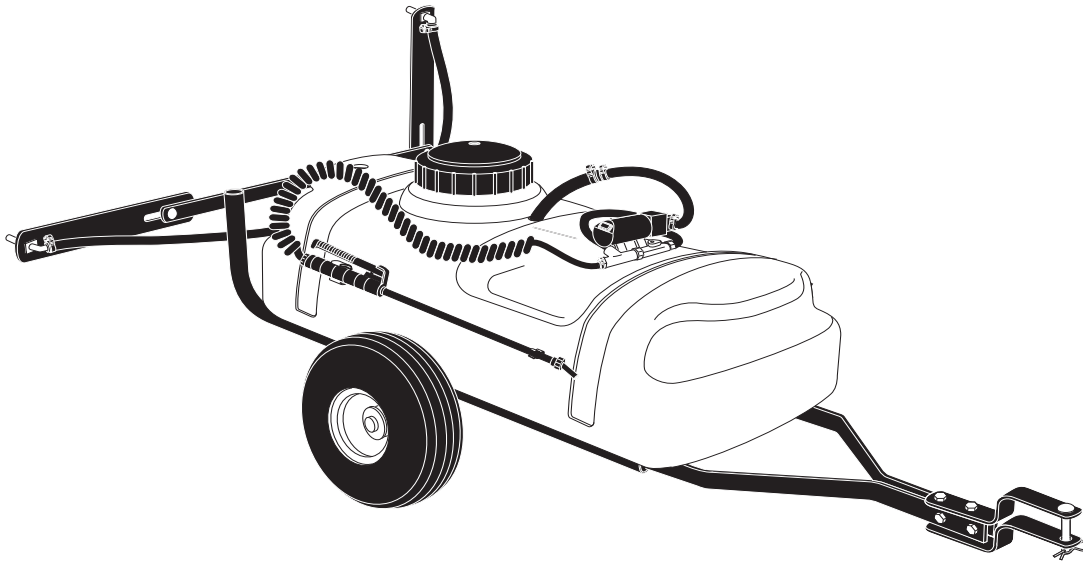
# CRAFTSMAN®

## 15 GALLON 35 PSI SPRAYER

Model No. 486.245313



DO NOT RETURN TO STORE  
For Missing Parts or Assembly  
Questions Call 1-866-576-8388



### CAUTION:

Before using this product, read this manual and follow all Safety Rules and Operating Instructions.

- Safety
- Assembly
- Operation
- Maintenance
- Parts

Sears, Roebuck and Co., Hoffman Estates, IL 60179 U.S.A.  
[www.sears.com/craftsman](http://www.sears.com/craftsman)

# TABLE OF CONTENTS

|                                |   |                                |           |
|--------------------------------|---|--------------------------------|-----------|
| SAFETY RULES.....              | 2 | STORAGE .....                  | 8         |
| FULL SIZE HARDWARE CHART ..... | 3 | SPRAYING CHARTS.....           | 9         |
| CARTON CONTENTS.....           | 4 | REPAIR PARTS ILLUSTRATION..... | 10        |
| ASSEMBLY.....                  | 4 | REPAIR PARTS LIST.....         | 11        |
| OPERATION.....                 | 7 | PARTS ORDERING/SERVICE .....   | Back Page |
| MAINTENANCE .....              | 8 |                                |           |

## WARRANTY

### ONE YEAR FULL WARRANTY

When operated and maintained according to the instructions supplied with it, if this Sprayer fails due to a defect in material or workmanship within one year from the date of purchase, call 1-800-4-MY-HOME® to arrange for free repair (or replacement if repair proves impossible).

If this product is used for commercial or rental purposes, this warranty applies for only 90 days from the date of purchase.

This warranty gives you specific legal rights, and you may also have other rights which vary from state to state.

**Sears, Roebuck and Co., D817WA, Hoffman Estates, IL 60179**

|   |   |
|---|---|
| The model number and serial numbers will be found on a decal attached to the sprayer.<br><br>You should record both the serial number and the date of purchase and keep in a safe place for future reference. | MODEL NUMBER: 486.245313<br>SERIAL NUMBER: _____<br>DATE OF PURCHASE: _____ |
|---|---|



## SAFETY



Any power equipment can cause injury if operated improperly or if the user does not understand how to operate the equipment. Exercise caution at all times when using power equipment.

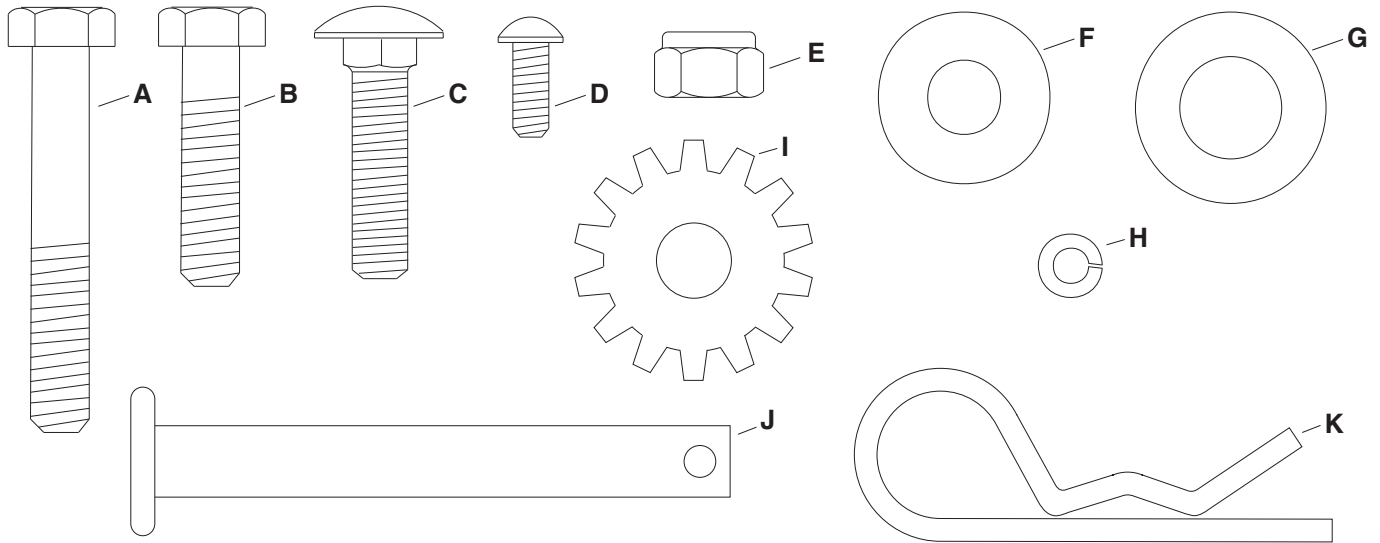
- Read this owners manual carefully before attempting to assemble or operate this sprayer.
- Read your vehicle owners manual for operating and safety rules before using this equipment.
- Never allow children to operate this sprayer, and do not allow adults to operate without proper instructions.
- Do not allow anyone to ride on or sit on this sprayer.
- Do not allow passengers on the towing vehicle.
- Keep the area of operation clear of all persons, particularly small children. Also keep area clear of pets.
- Read the chemical label carefully for instructions and caution notes on handling and mixing of chemicals.
- Wear eye and hand protection and wear protective clothing when handling and applying lawn chemicals.
- Do not spray on windy days.
- Attachment of this sprayer may affect your tractor's braking and stability. Be aware of your tractor's capabilities. Refer to the safety rules in the vehicle owner's manual concerning safe operation on slopes. Be aware of changing conditions on slopes. **STAY OFF OF STEEP SLOPES.**
- Operate at reduced speed on rough terrain, along ditches and on hillsides to prevent loss of control.
- Follow maintenance and lubrication instructions as outlined in this manual.



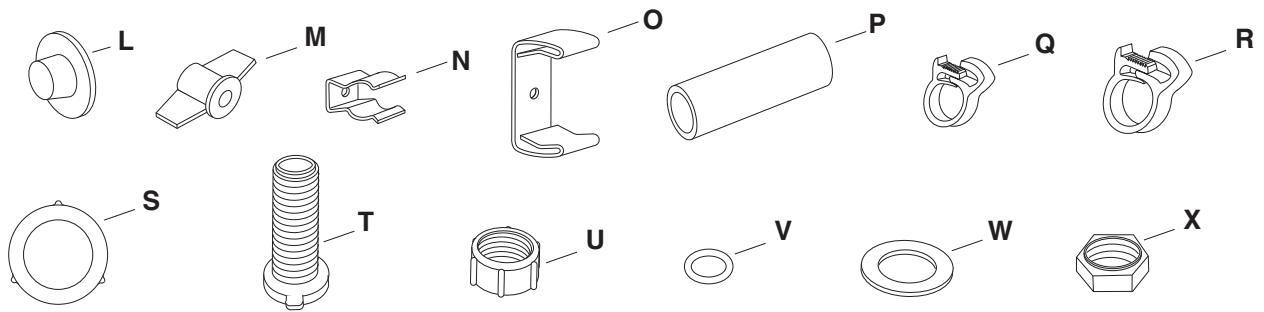
Look for this symbol to point out important safety precautions. It means — **Attention!! Become alert!! Your safety is involved.**

# HARDWARE PACKAGE CONTENTS

## SHOWN FULL SIZE



## NOT SHOWN FULL SIZE

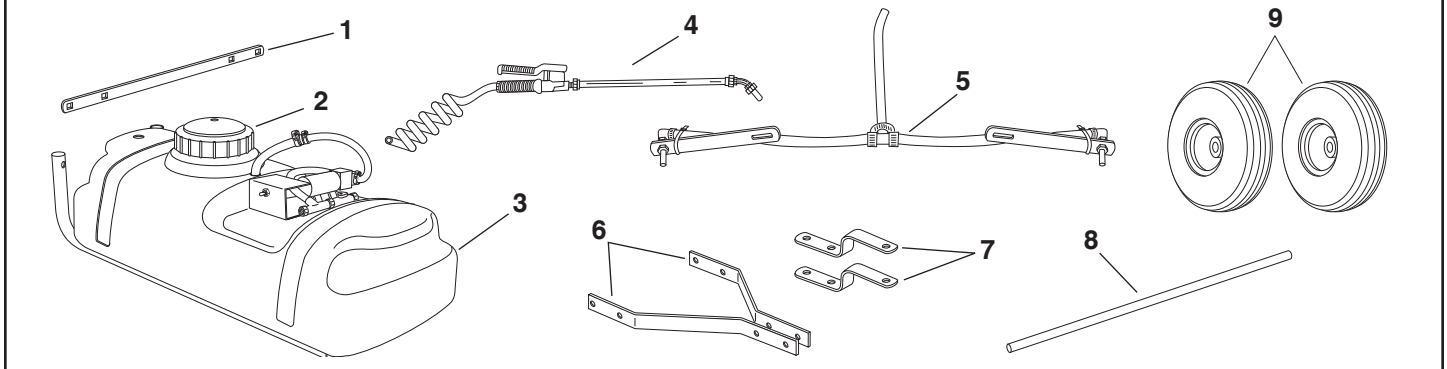


| KEY | QTY. | DESCRIPTION                   | KEY | QTY. | DESCRIPTION              |
|-----|------|-------------------------------|-----|------|--------------------------|
| A   | 8    | Hex Bolt, 5/16" x 2"          | M   | 2    | Knob                     |
| B   | 2    | Hex Bolt, 5/16" x 1-1/4"      | N   | 1    | Spray Gun Clip, Small    |
| C   | 2    | Carriage Bolt, 5/16" x 1-1/4" | O   | 1    | Spray Gun Clip, Large    |
| D   | 2    | Screw, #10 x 1/2"             | P   | 2    | Spacer                   |
| E   | 10   | Nylock Nut, 5/16"             | Q   | 1    | Coiled Hose Clamp        |
| F   | 2    | Flat Washer, 5/16"            | R   | 2    | Hose Clamp, 3/8"         |
| G   | 4    | Flat Washer, 1/2"             | S   | 1    | Gasket, 3/4" Garden Hose |
| H   | 2    | Lock Washer, #10              | T   | 1    | Drain Body               |
| I   | 2    | Washer, 5/16" Tooth Lock      | U   | 1    | Nylon Cap                |
| J   | 1    | Hitch Pin                     | V   | 1    | O-Ring                   |
| K   | 1    | Hair Cotter Pin               | W   | 1    | Nylon Washer, 11/16"     |
| L   | 2    | Palnut                        | X   | 1    | Nylon Nut                |

# ASSEMBLY

## CARTON CONTENTS

- |                          |                       |                       |
|--------------------------|-----------------------|-----------------------|
| 1. Boom Mount Bracket    | 4. Spray Gun Assembly | 7. Hitch Brackets (2) |
| 2. Lid                   | 5. Boom Assembly      | 8. Axle               |
| 3. Tank with Frame Tubes | 6. Hitch Arms (2)     | 9. Wheels (2)         |



## REMOVAL OF PARTS FROM CARTON

- Remove all parts and hardware packages from the carton. Lay out all parts and hardware and identify using the illustrations on pages 3 and 4.

## TOOLS REQUIRED FOR ASSEMBLY

- (2) 1/2" Wrenches
- (1) Screwdriver
- (1) Pliers
- (1) Hammer

- Assemble the axle through the holes in the frame tubes. You may need to slightly loosen the bolts in the frame tubes to make the axle fit. Retighten the bolts only enough to flatten the lockwashers. See figure 1.
- Assemble a spacer, a 1/2" flat washer, a wheel and another 1/2" flat washer onto the axle. Lightly tap a palnut onto the end of the axle. Repeat on other end of axle. See figure 1.
- Assemble a hitch arm to the inside of a frame tube underneath the tank. Use two 5/16" x 2" hex bolts and 5/16" nylock nuts as shown in figure 2. **Do not tighten yet.** Repeat for other side.

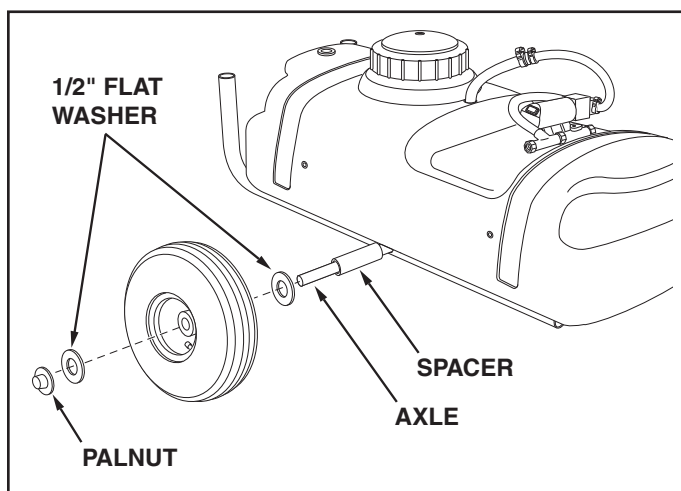


FIGURE 1

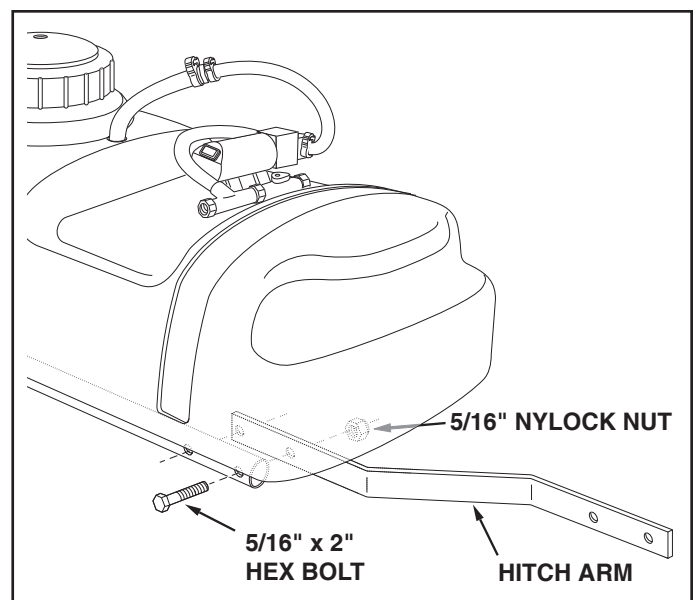


FIGURE 2

- Fasten the ends of the hitch arms together using two 5/16" x 1-1/4" hex bolts and 5/16" nylock nuts. **Do not tighten yet.** See figure 3.
- Assemble the hitch brackets to the hitch arms using two 5/16" x 2" hex bolts and 5/16" nylock nuts. Position each bolt behind one of the cross bolts in the hitch arms. **Do not tighten yet.** See figure 3.

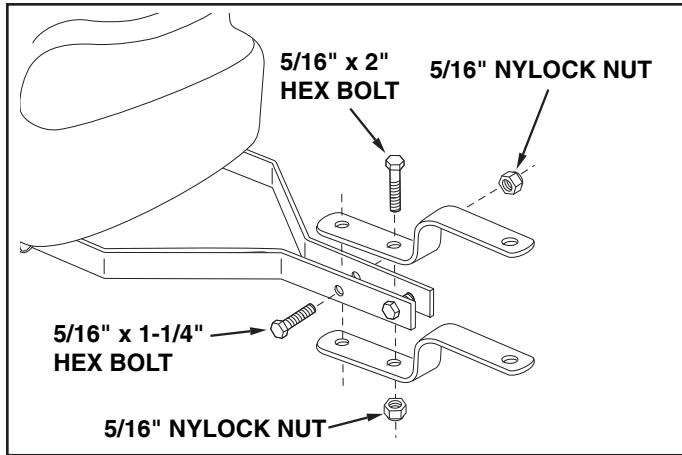


FIGURE 3

- At this time **tighten all bolts** starting with the bolts in figure 2, then the bolts in figure 3.
- Install the drain in the rear of the tank as shown in figure 4. Place a 3/4" garden hose gasket onto the drain body and insert the drain body out through the hole in rear of the tank. Outside the tank, assemble the nylon washer and then the nylon nut onto the drain body. Tighten the nut securely enough to prevent leaking, being careful not to damage the plastic parts. Place the O-ring inside the nylon cap and screw the cap onto the end of the drain body.

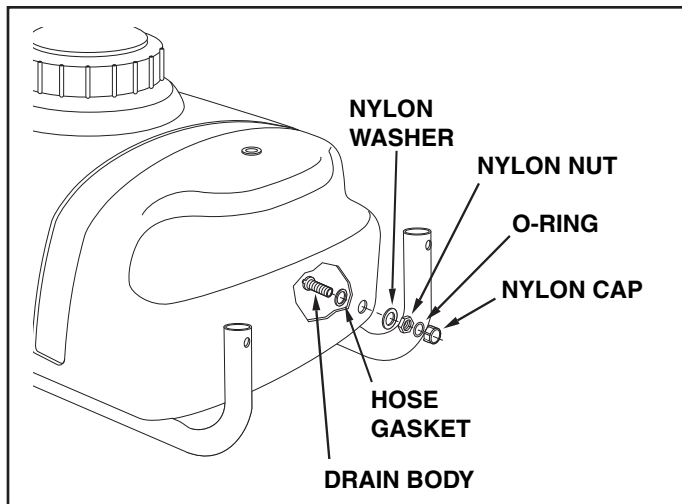


FIGURE 4

- Assemble the boom mount bracket to the rear of the hitch tubes using two 5/16" x 2" hex bolts and 5/16" nylock nuts. See figure 5.

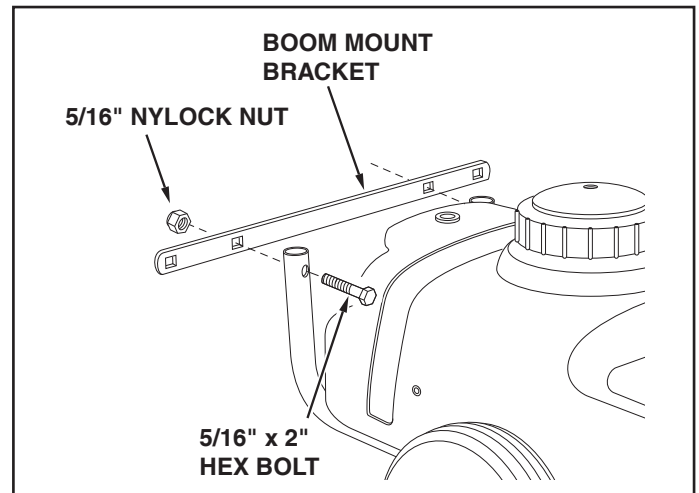


FIGURE 5

- Assemble the boom bars to the boom mount bracket using two 5/16" x 1-1/4" carriage bolts, tooth lock washers (between the bar and bracket), 5/16" flat washers and knobs. The boom connecting hose should extend upward. See figure 6.

**NOTE:** Make sure the nozzle openings face straight down when the boom bars are in the horizontal operating position.

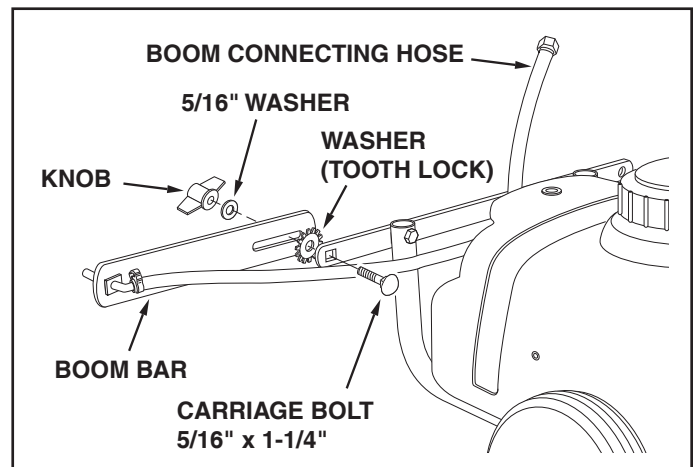


FIGURE 6

- Assemble the large and small spray gun clips to the side of the tank using two #10 x 1/2" screws and #10 lock washers. See figure 7.

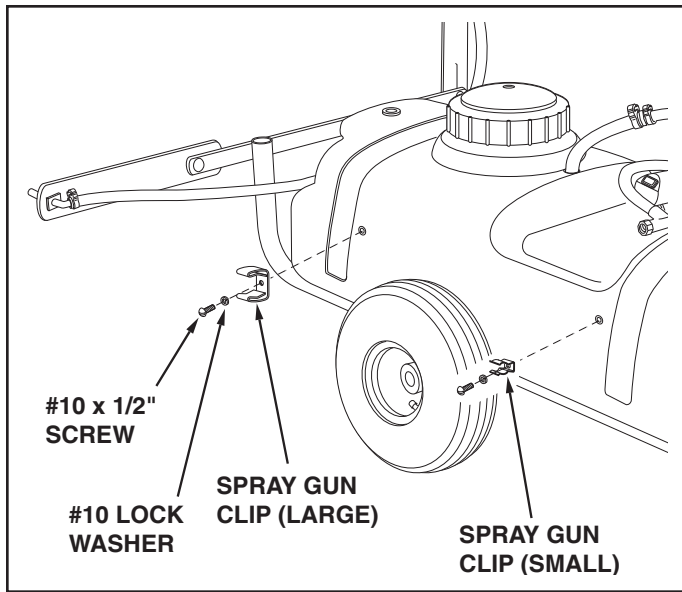


FIGURE 7

- Slide a 3/8" hose clamp onto the boom connecting hose. Place the end of the hose through the conduit clamp (attached to the pump) and then slide a second 3/8" hose clamp onto the hose. Leave hose clamps loose for now. See Figure 8.
- Push the hose onto the hose adapter in the end of the "On-Off" valve. Tighten the hose clamp around the hose and adapter. See figure 8.
- Position the valve and hose clamp up against the conduit clamp. Slide the other hose clamp against the other side of the conduit clamp. Tighten the clamp without collapsing the hose. See figure 8.
- Slide the coiled hose clamp onto the spray gun hose and then push the hose onto the hose adapter on the 1/4" tee fitting. Tighten the hose clamp around the hose and adapter. See figure 8.
- Snap the spray gun into the clips on the front of the tank. (The large clip holds the spray gun handle and the small clip holds the wand.) Refer to figure 7.

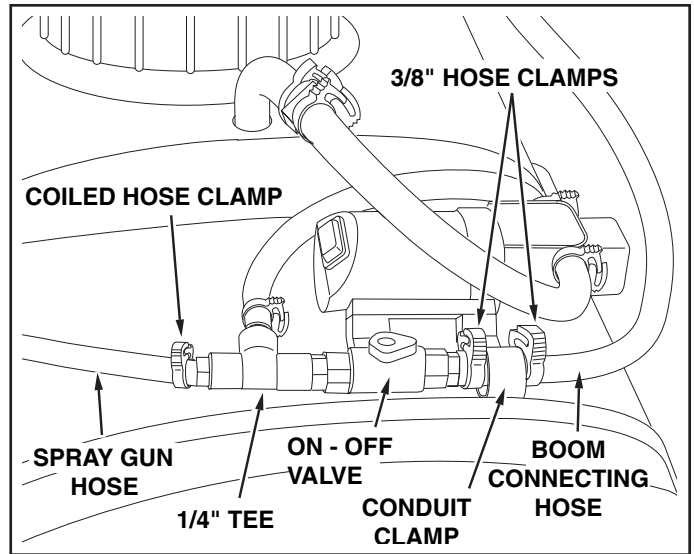


FIGURE 8 VIEWED FROM FRONT

- To connect the wire harness to the tractor, attach the red wire to the positive post on the battery or to the "HOT" connection on a tractor switch or ammeter. The brown wire may be grounded or connected to the negative battery post. See figures 9 and 10.

**IMPORTANT:** This sprayer should be connected to 12 volt batteries only!

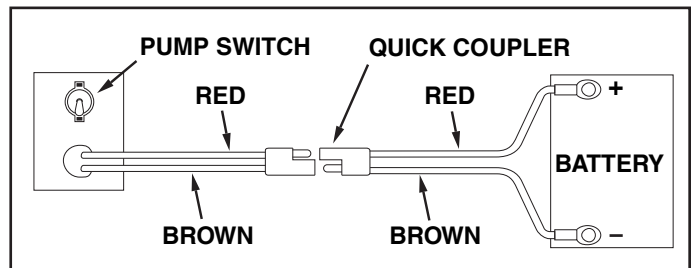


FIGURE 9

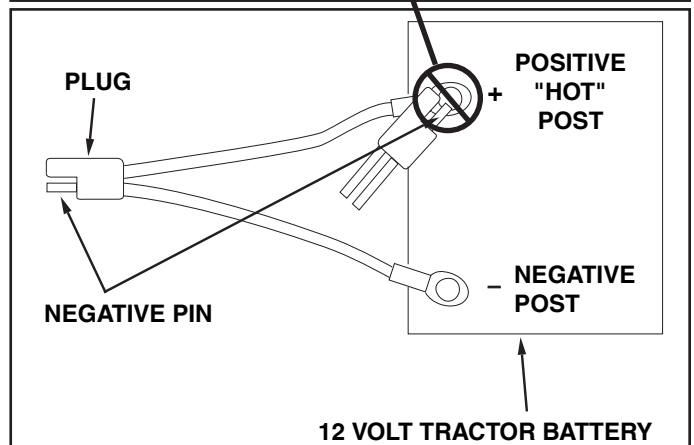
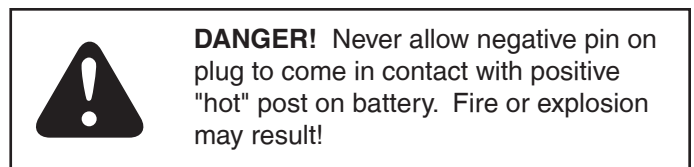


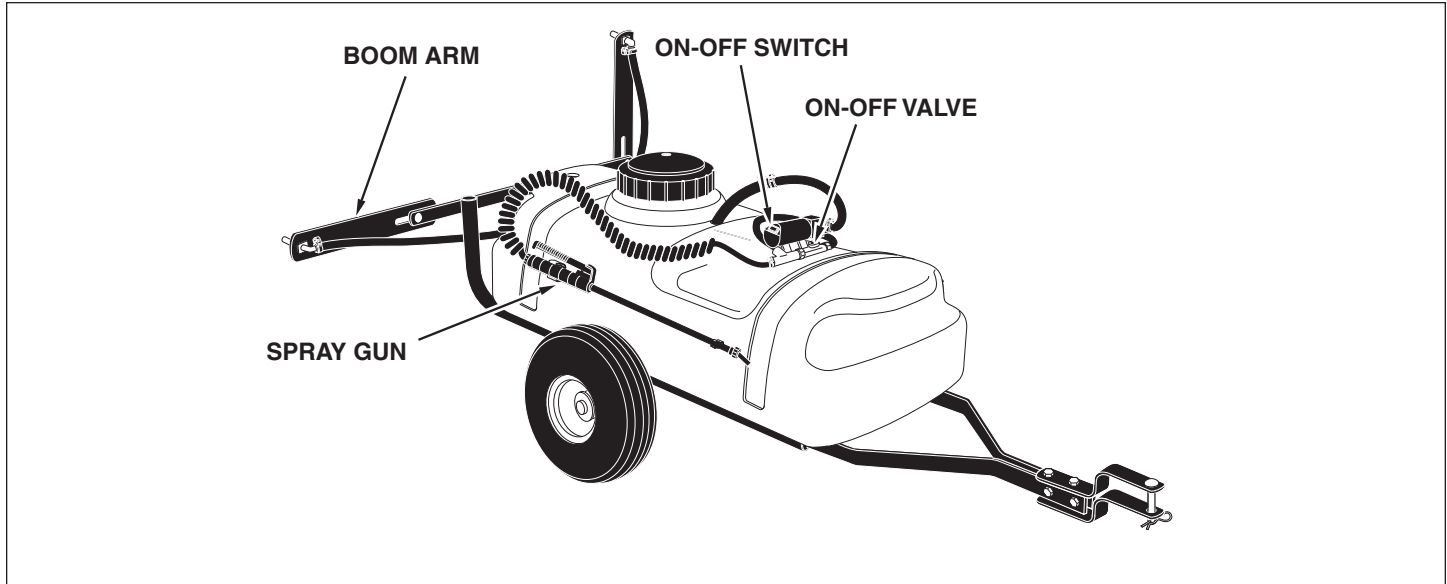
FIGURE 10

# OPERATION

## KNOW YOUR SPRAYER

Read this owner's manual and safety rules before operating your sprayer.

Compare the illustration below with your sprayer to familiarize yourself with the various controls and their locations.



**ON-OFF SWITCH** Turns pump/motor on or off.

**ON-OFF VALVE** Turns the flow on or off from the pump to the boom nozzles.

**BOOM ARM** Swivels up and down and adjusts in and

out to obtain proper nozzle positioning.

**SPRAY GUN** Unhooks from tank for spraying shrubs, small trees or areas inaccessible to the towed sprayer.

## BEFORE STARTING

**It is important** to test the boom and spray gun with plain water before attempting actual spraying. This will enable you to check the sprayer for leaks and to set the spray pattern and nozzle pressure. If a leak should occur, thread tape may be used to better seal the fitting.

## PUMP PRESSURE SWITCH

The pump is equipped with a pressure switch. The pressure switch senses outlet pressure of the pump and will turn off the electrical power to the pump at a predetermined high pressure point (35 PSI). If the flow demand is very low, the pump may reach this high pressure point and the switch will cause "cycling" (the pump cycles on and off rapidly). This is not a problem unless the pump is subject to continuous cycling within one second intervals for long periods of time.

## ON-OFF ADJUSTMENT OF BOOM NOZZLES

The sprayer is equipped with an "On-Off" valve for the boom which allows the flow to the boom nozzles to be shut off.

## ADJUSTING SPRAY GUN NOZZLE

Turn the nozzle on the spray gun to adjust the spray from a cone shaped fine mist to a straight stream. Maximum gun pressure is attained with the ON-OFF valve shut off.

## SETTING THE BOOM FOR SPRAYING

The correct positioning of the boom places the nozzles approximately 40" apart and 14" above the ground. This gives a spray width of approximately 80" with a slight center overlap. See figure 11.

- Slide the boom bars out to the ends of the slots.
- Swivel the boom bars until the nozzles are approximately 14" above the ground.
- Make sure the nozzles are adjusted so that the openings point straight down.

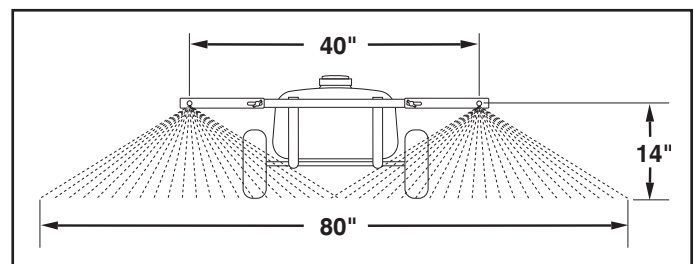


FIGURE 11


**HOW TO USE YOUR SPRAYER**

- Determine the approximate square footage of the area to be sprayed. Use this amount to estimate the number of gallons that will be required, based on product recommendations. This can help avoid unneeded solution left in the tank.
- Determine the application rate (gallons per 1,000 sq. feet or gallons per acre) based on the chemical manufacturers recommendations.
- Use the tip chart on page 9 to determine what ground speed will achieve the recommended application rate.
- To determine the throttle setting for attaining the desired ground speed, mark off 100, 200 and 300 feet intervals. The speed chart at the bottom of page 9 indicates the number of seconds it takes to travel these distances. Set the throttle and, with a running start, travel the distances in the number of seconds indicated by the speed chart. Once you have determined the throttle and gear settings needed, mark the throttle location so that you can easily resume the same speed after stopping.
- Add the chemical solution to the tank, following the product instructions.

- Drive to the starting place for spraying.
- Set the boom in position for spraying.
- Set the throttle at the position determined in the 4th step. Reach back and flip the pump/motor switch to the "ON" position to start spraying.
- Stay clear of flowers, shrubs and evergreen trees when spraying weed control solutions to prevent contact of the solution with these sensitive plants.

**ATTENTION!**

**Do not** allow chemicals to sit in pump for extended times of idleness. Some chemicals will damage the pump valve if allowed to soak untreated for a length of time. Always flush the pump with water after each use. See the instructions for cleaning the tank in the maintenance section for flushing and disposal of chemicals.

 **CAUTION:** Wear eye protection, gloves and protective clothing when handling and working with lawn chemicals.

**MAINTENANCE/STORAGE**

**CUSTOMER RESPONSIBILITIES**

- Read and follow the maintenance schedule and the maintenance procedures listed in this section.

| MAINTENANCE SCHEDULE<br>Fill in dates as you complete regular service. | Service Dates   |                |              |                |  |  |  |  |  |  |  |  |
|--|-----------------|----------------|--------------|----------------|--|--|--|--|--|--|--|--|
|  | Before each use | After each use | Every season | Before storage |  |  |  |  |  |  |  |  |
| Check for loose fasteners  | X               |                |              |                |  |  |  |  |  |  |  |  |
| Clean tank   |                 | X              |              |                |  |  |  |  |  |  |  |  |
| Lubrication  |                 |                | X            |                |  |  |  |  |  |  |  |  |

**CHECK FOR LOOSE FASTENERS**

- Before each use make a thorough visual check of the sprayer for any bolts and nuts which may have loosened. Retighten any loose bolts and nuts.

**CLEANING TANK**

- After use, fill the tank part way with water, start the sprayer and allow clear water to be pumped through the plumbing system and out through the boom assembly and the handgun. Use the handgun to thoroughly wash all internal parts of the tank, the outside of the tank and the boom.
- Refill the tank about half full with plain water and a chemical neutralizer and repeat the cleaning instructions above. Flush the entire sprayer with the neutralizing agent. Follow the chemical manufacturers instructions for disposal of all wash or rinsing water.

**LUBRICATION**

- Oil the wheels at least once a season.

**CLEANING STRAINERS**

- Periodically clean the strainer in the end of the intake hose at the bottom of the tank. Remove the nylon swivel nut from the hose, pull out the screen and flush it with clear water.
- Periodically clean the strainers in the boom nozzles. Remove the nozzle, pull out the screen and flush it with clear water.

**STORING**

- Drain all water out of the sprayer, paying special attention to the pump and handgun. These items are especially prone to damage from chemicals and freezing weather.
- The sprayer should be winterized before storage by pumping a 50-50 solution of water and R. V. antifreeze through the entire plumbing. Proper care and maintenance will prolong the life of the sprayer.



### U.S. GALLON TIP CHART

| Tip No. | Spray Width Inches | Pressure PSI | Tip Capacity US Gallons Per Minute   | GALLONS PER ACRE (BASED ON WATER)         |       |       |       |       |         |        |
|---------|--------------------|--------------|--------------------------------------|---|-------|-------|-------|-------|---------|--------|
|         |                    |              |                                      | 1 MPH                                     | 2 MPH | 3 MPH | 4 MPH | 5 MPH | 7.5 MPH | 10 MPH |
| #3      | 80"                | 25           | .36                                  | 53  | 26.5  | 17.7  | 13.3  | 10.6  | 7.1     | 5.3    |
| Tip No. | Spray Width Inches | Pressure PSI | Tip Capacity U.S. Gallons Per Minute | GALLONS PER 1000 SQ. FT. (BASED ON WATER) |       |       |       |       |         |        |
|         |                    |              |                                      | 1 MPH                                     | 2 MPH | 3 MPH | 4 MPH | 5 MPH | 7.5 MPH | 10 MPH |
| #3      | 80"                | 25           | .36                                  | 1.22                                      | 0.6   | 0.41  | 0.31  | 0.24  | 0.16    | 0.12   |

### IMPERIAL GALLON (LITER) TIP CHART

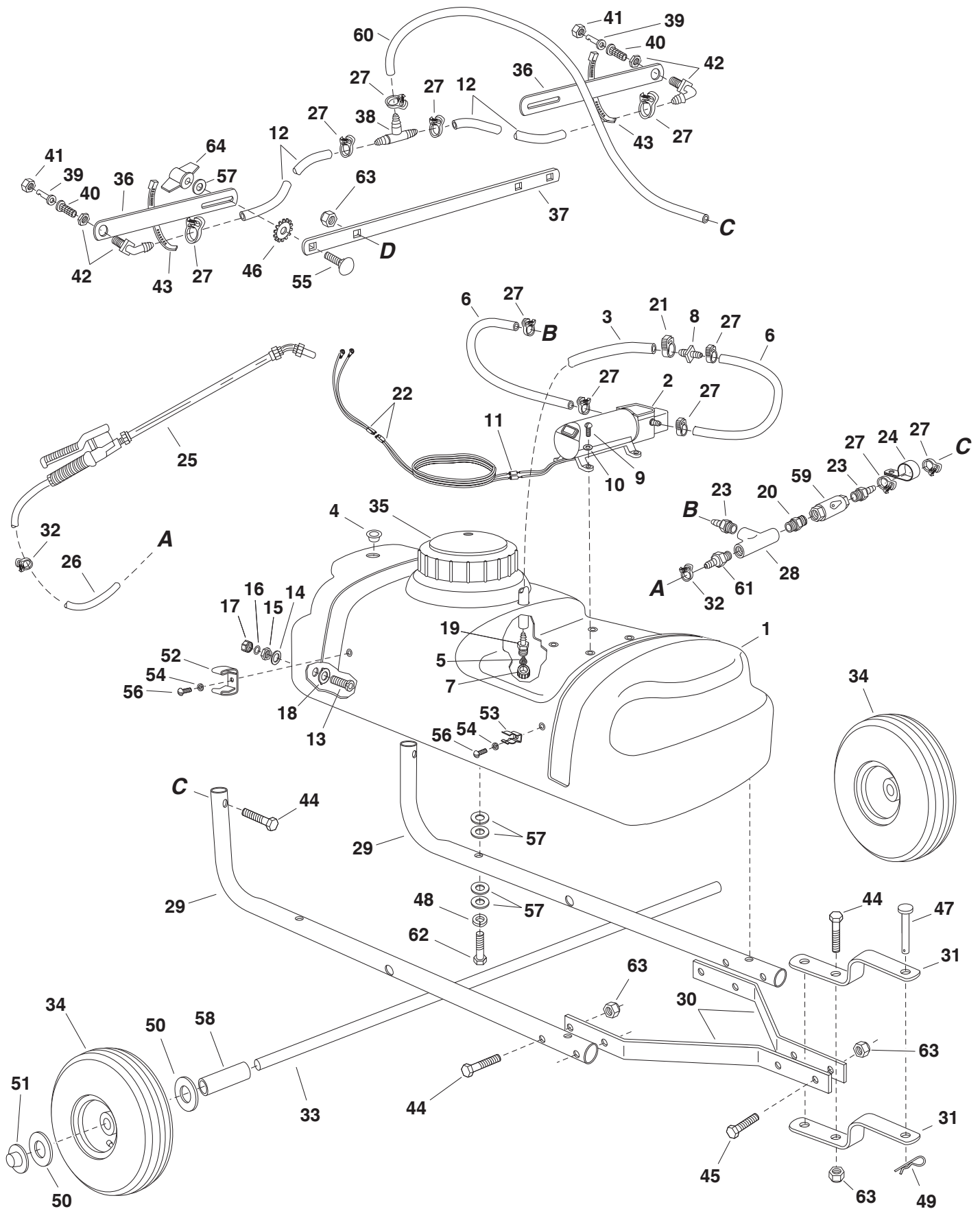
| Tip No.  | Spray Width Inches (mm) | Pressure PSI (Bar) | Tip Capacity Imperial Gallons per minute (liters per minute) | IMPERIAL GALLONS (Liters) PER ACRE (BASED ON WATER)         |                  |                  |                  |                |                   |                  |
|----------|-------------------------|--------------------|--|---|------------------|------------------|------------------|----------------|-------------------|------------------|
|          |                         |                    |  | 1 MPH<br>1.6 K/H  | 2 MPH<br>3.2 K/H | 3 MPH<br>4.8 K/H | 4 MPH<br>6.4 K/H | 5 MPH<br>8 K/H | 7.5 MPH<br>12 K/H | 10 MPH<br>16 K/H |
| #3       | 80"<br>(2032 mm)        | 25<br>(1.75)       | .30<br>(1.36)  | 44.2<br>(201.0)   | 22.1<br>(100.5)  | 14.8<br>(67.8)   | 11.1<br>(50.5)   | 8.9<br>(40.5)  | 5.9<br>(26.8)     | 4.4<br>(20.0)    |
| Jet Size | Spray Width Inches (mm) | Pressure PSI (Bar) | Tip Capacity Imperial Gallons per minute (liters per minute) | IMPERIAL GALLONS (Liters) PER 1000 SQ. FT. (BASED ON WATER) |                  |                  |                  |                |                   |                  |
|          |                         |                    |  | 1 MPH<br>1.6 K/H  | 2 MPH<br>3.2 K/H | 3 MPH<br>4.8 K/H | 4 MPH<br>6.4 K/H | 5 MPH<br>8 K/H | 7.5 MPH<br>12 K/H | 10 MPH<br>16 K/H |
| #3       | 80"<br>(2032 mm)        | 25<br>(1.75)       | .30<br>(1.36)  | 1.0<br>(4.54)   | 0.50<br>(2.27)   | 0.34<br>(1.55)   | 0.26<br>(1.18)   | 0.20<br>(0.91) | 0.14<br>(0.64)    | 0.10<br>(0.54)   |

### GROUND SPEED CHART

| M.P.H. (K/H) | Time Required in Seconds to Travel a Distance of: |               |                 |
|--------------|---|---------------|-----------------|
|              | 100 ft (30.5 M)                                   | 200 ft (61 M) | 300 ft (91.5 M) |
| 1.0 (1.6)    | 68  | 136           | 205             |
| 2.0 (3.2)    | 34  | 68            | 102             |
| 3.0 (4.8)    | 23  | 45            | 68              |
| 4.0 (6.4)    | 17  | 34            | 51              |
| 5.0 (8.0)    | 14  | 27            | 41              |
| 6.0 (9.7)    | 11  | 23            | 34              |
| 7.0 (11.3)   | 9.7   | 19            | 29              |
| 8.0 (12.9)   | 8.5   | 17            | 26              |
| 9.0 (14.5)   | 7.6   | 15            | 23              |
| 10.0 (16.1)  | 6.8   | 14            | 20              |

# PARTS

## REPAIR PARTS FOR 15 GALLON SPRAYER MODEL 486.245313



## REPAIR PARTS FOR 15 GALLON SPRAYER MODEL 486.245313

| REF. | PART NO. | QTY. | DESCRIPTION                      | REF. | PART NO.  | QTY. | DESCRIPTION                       |
|------|----------|------|----------------------------------|------|-----------|------|-----------------------------------|
| 1    | 49725    | 1    | Tank (15 Gal.)                   | 33   | 24584     | 1    | Axle, 1/2"                        |
| 2    | 48297    | 1    | Pump and Motor                   | 34   | 46503     | 2    | Wheel                             |
| 3    | 45022    | 1    | Hose, 1/2" ID (14" Lg.)          | 35   | 46700     | 1    | Lid                               |
| 4    | 46287    | 1    | Caplug Plug                      | 36   | 24122     | 2    | Boom Bar                          |
| 5    | 45024    | 1    | Strainer, Cap Type 1"            | 37   | 24585     | 1    | Bracket, Boom Mount               |
| 6    | 47002    | 2    | Hose, 3/8" ID (10" Lg.)          | 38   | 47394     | 1    | Tee, Plastic 3/8" Hose            |
| 7    | 45032    | 1    | Nut, Swivel 3/4" Garden Hose     | 39   | 45028     | 2    | Nozzle, SS Floodjet               |
| 8    | 47005    | 1    | Reducer, Hose Mender 1/2" x 3/8" | 40   | 45029     | 2    | Strainer, Screen Type             |
| 9    | 47078    | 4    | Screw, Pan Hd. 10-24 x 3/4" Lg.  | 41   | 45037     | 2    | Nut, Screen Body                  |
| 10   | 43910    | 4    | Washer, Flat #10 SAE             | 42   | 47396     | 2    | Elbow, Plastic 11/16" Thd.        |
| 11   | 46075    | 2    | Terminal (not shown)             | 43   | 726-0178  | 2    | Nylon Tie                         |
| 12   | 47392    | 2    | Hose, 3/8" ID (20" Lg.)          | 44   | 44180     | 8    | Bolt, Hex 5/16-18 x 2"            |
| 13   | 47399    | 1    | Drain Body                       | 45   | 43840     | 2    | Bolt, Hex 5/16-18 x 1-1/4"        |
| 14   | 47398    | 1    | Washer, Nylon                    | 46   | 44732     | 2    | Washer, Tooth Lock 5/16"          |
| 15   | 47402    | 1    | Nut, Nylon 11/16" Thd.           | 47   | 47623     | 1    | Hitch Pin                         |
| 16   | 47206    | 1    | O-Ring                           | 48   | 43086     | 4    | Lock Washer, 5/16"                |
| 17   | 47403    | 1    | Cap, Nylon 11/16" Thd.           | 49   | 43343     | 1    | Pin, Hair Cotter #4 (1/8")        |
| 18   | 45072    | 1    | Gasket, 3/4" Garden Hose         | 50   | R19171616 | 4    | Washer, 17/32" x 1"               |
| 19   | 46276    | 1    | Adapter, 3/4" GH x 1/2" Barb     | 51   | 44166     | 2    | Hub Cap (1/2" Palnut)             |
| 20   | 47411    | 1    | Nipple (nylon) 1/4"              | 52   | 47397     | 1    | Clip (Large), Spray Gun           |
| 21   | 45025    | 1    | Clamp, 1/2" (For Black Hose)     | 53   | 45180     | 1    | Clip (Small), Spray Gun           |
|      | 45026    | 1    | Clamp, 3/8" (For Clear Hose)     | 54   | 736-0722  | 2    | Lock Washer, #10                  |
| 22   | 45018    | 1    | Connector with Wire              | 55   | 43682     | 2    | Bolt, Carriage 5/16-18 x 1-1/4"   |
| 23   | 47412    | 2    | Adapter (nylon) 1/4" x 3/8"      | 56   | 45040     | 2    | Screw, Phillips Hd. #10-24 x 1/2" |
| 24   | 47413    | 1    | Clamp, Conduit                   | 57   | 43081     | 18   | Washer, 5/16" Std. Wrt.           |
| 25   | 47406    | 1    | Spray Gun                        | 58   | 46578     | 2    | Spacer                            |
| 26   | 49761    | 1    | Hose, 1/4" ID (15' Lg)           | 59   | 47416     | 1    | Valve, Nylon 1/4"                 |
| 27   | 45026    | 11   | Clamp, 3/8" (For Black Hose)     | 60   | 47421     | 1    | Hose, 3/8" ID (28" Lg.)           |
|      | 47405    | 11   | Clamp, 1/4" (For Clear Hose)     | 61   | 47414     | 1    | Adapter, 1/4" NPT x 1/4" Barb     |
| 28   | 47415    | 1    | Tee, Nylon 1/4" NPT.             | 62   | 43084     | 4    | Bolt, Hex 5/16-18 x 1-3/4"        |
| 29   | 48296    | 2    | Frame Tube                       | 63   | 47810     | 10   | Nut, Nylock Hex 5/16-18           |
| 30   | 24860    | 2    | Hitch Arm                        | 64   | 712-0421  | 2    | Knob                              |
| 31   | 23014    | 2    | Hitch Bracket                    |      | 41054     | 1    | Owners Manual                     |
| 32   | 49779    | 1    | Coiled Hose Clamp                |      |           |      |                                   |

# Get it fixed, at your home or ours!

## Your Home

For repair – **in your home** – of **all** major brand appliances, lawn and garden equipment, or heating and cooling systems, **no matter who made it, no matter who sold it!**

For the replacement parts, accessories and owner's manuals that you need to do-it-yourself.

For Sears professional installation of home appliances and items like garage door openers and water heaters.

**1-800-4-MY-HOME<sup>®</sup>** (1-800-469-4663)

Call anytime, day or night (U.S.A. and Canada)

[www.sears.com](http://www.sears.com)    [www.sears.ca](http://www.sears.ca)

For expert home solutions advice: [www.managemyhome.com](http://www.managemyhome.com)

---

## Our Home

For repair of carry-in items like vacuums, lawn equipment, and electronics, call or go on-line for the location of your nearest

### Sears Parts & Repair Service Center

**1-800-488-1222** (U.S.A.)    **1-800-469-4663** (Canada)

Call anytime, day or night

[www.sears.com](http://www.sears.com)    [www.sears.ca](http://www.sears.ca)

---

To purchase a protection agreement on a product serviced by Sears:

**1-800-827-6655** (U.S.A.)

**1-800-361-6665** (Canada)

---

Para pedir servicio de reparación a domicilio, y para ordenar piezas:

**1-888-SU-HOGAR<sup>®</sup>**

(1-888-784-6427)

Au Canada pour service en français:

**1-800-LE-FOYER<sup>MC</sup>**

(1-800-533-6937)

[www.sears.ca](http://www.sears.ca)



© Registered Trademark / <sup>TM</sup> Trademark / <sup>SM</sup> Service Mark of Sears Brands, LLC

© Marca Registrada / <sup>TM</sup> Marca de Fábrica / <sup>SM</sup> Marca de Servicio de Sears Brands, LLC

<sup>MC</sup> Marque de commerce / <sup>MD</sup> Marque déposée de Sears Brands, LLC

© Sears Brands, LLC

## Free Manuals Download Website

<http://myh66.com>

<http://usermanuals.us>

<http://www.somanuals.com>

<http://www.4manuals.cc>

<http://www.manual-lib.com>

<http://www.404manual.com>

<http://www.luxmanual.com>

<http://aubethermostatmanual.com>

Golf course search by state

<http://golfingnear.com>

Email search by domain

<http://emailbydomain.com>

Auto manuals search

<http://auto.somanuals.com>

TV manuals search

<http://tv.somanuals.com>