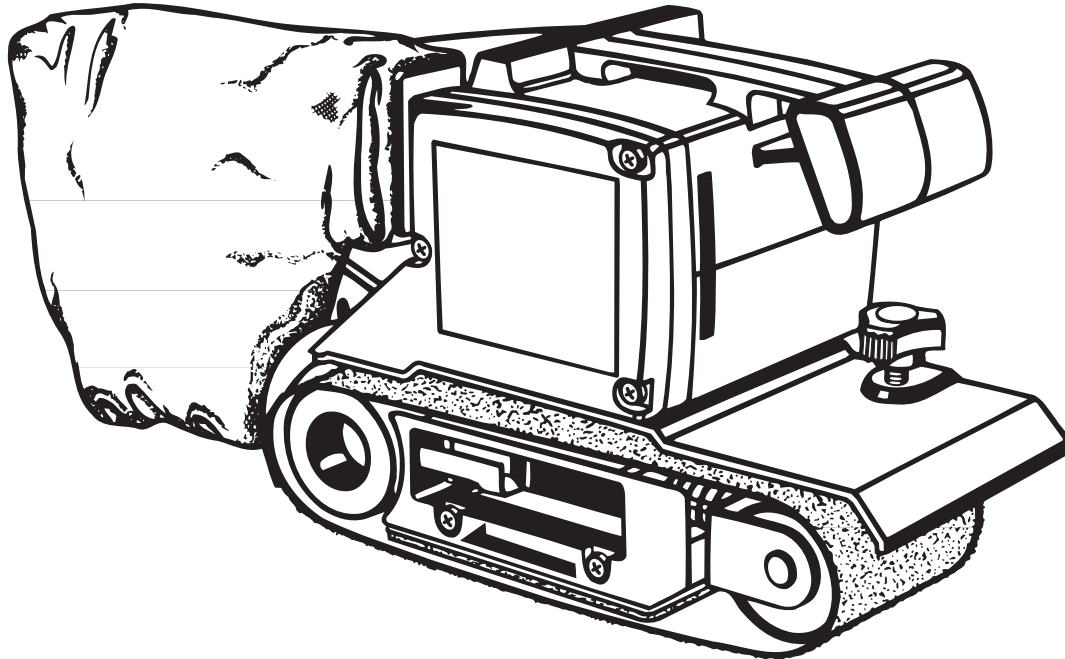




OWNER'S OPERATING MANUAL

3" DUSTLESS BELT SANDER / B850

DOUBLE INSULATED



SPECIFICATIONS:

Belt Size	75 mm x 534 mm (3" x 21")
Input	230V, 3.9A, 850 Watt
Overall Length	314 mm (12-1/4")
Net Weight	4.2 Kg. (9.3 lbs.)
No Load Speed	360 m/min.

THANK YOU FOR BUYING A RYOBI BELT SANDER.

Your new sander has been engineered and manufactured to Ryobi's high standard for dependability, ease of operation, and operator safety. Properly cared for, it will give you years of rugged, trouble-free performance.

CAUTION: Carefully read through this entire owner's manual before using your new sander. Pay close attention to the Rules for Safe Operation, Warnings, and Cautions. If you use your sander properly and only for what it is intended, you will enjoy years of safe, reliable service.

Thank you again for buying Ryobi tools.

SAVE THIS MANUAL FOR FUTURE REFERENCE

RULES FOR SAFE OPERATION

DOUBLE INSULATION

Your Ryobi power tool is double insulated. This means you are separated from the tool's electrical system by two complete sets of electrical insulation. This extra layer of insulation is intended to protect the user from electrical shock due to a break in the wiring insulation. All exposed metal parts are isolated from the internal metal motor components with protecting insulation. Double insulated tools do not need to be grounded.

IMPORTANT

Servicing of a tool with double insulation requires extreme care and knowledge of the system and should be performed only by a qualified service technician. For service we suggest you return the tool to your nearest **AUTHORIZED SERVICE CENTER** or other **QUALIFIED SERVICE ORGANIZATION** for repair. When servicing use only identical Ryobi replacement parts.

WARNING: THE DOUBLE INSULATED SYSTEM IS INTENDED TO PROTECT THE USER FROM SHOCK RESULTING FROM A BREAK IN THE TOOL'S INTERNAL WIRING. OBSERVE ALL NORMAL SAFETY PRECAUTIONS RELATED TO AVOIDING ELECTRICAL SHOCK.

WARNING: DO NOT ATTEMPT TO OPERATE THIS TOOL UNTIL YOU HAVE READ THOROUGHLY AND UNDERSTAND COMPLETELY ALL INSTRUCTIONS, SAFETY RULES, ETC. CONTAINED IN THIS MANUAL. FAILURE TO COMPLY CAN RESULT IN ACCIDENTS INVOLVING FIRE, ELECTRIC SHOCK, OR SERIOUS PERSONAL INJURY. SAVE OWNER'S MANUAL AND REVIEW FREQUENTLY FOR CONTINUING SAFE OPERATION AND INSTRUCTING OTHERS WHO MAY USE THIS TOOL.

READ ALL INSTRUCTIONS

1. **KNOW YOUR POWER TOOL** - Read owner's manual carefully. Learn its applications and limitations as well as the specific potential hazards related to this tool.
2. **GUARD AGAINST ELECTRICAL SHOCK BY PREVENTING BODY CONTACT WITH GROUNDED SURFACES.** For example: Pipes, radiators, ranges, refrigerator enclosures.
3. **KEEP GUARDS IN PLACE** and in working order.
4. **KEEP WORK AREA CLEAN.** Cluttered areas and benches invite accidents.
5. **AVOID DANGEROUS ENVIRONMENT.** Don't use power tool in damp or wet locations or expose to rain. Keep work area well lit.
6. **KEEP CHILDREN AND VISITORS AWAY.** All visitors should wear safety glasses and be kept a safe distance from work area. Do not let visitors contact tool or extension cord.
7. **STORE IDLE TOOLS.** When not in use, tools should be stored in a dry, high or locked-up place - out of the reach of children.
8. **DON'T FORCE TOOL.** It will do the job better and safer at the rate for which it was designed.
9. **USE RIGHT TOOL.** Don't force small tool or attachment to do the job of a heavy duty tool. Don't use tool for purpose not intended - for example - Don't use a circular saw for cutting tree limbs or logs.
10. **WEAR PROPER APPAREL.** No loose clothing or jewelry to get caught in moving parts. Rubber gloves and non-skid footwear are recommended when working outdoors. Also, wear protective hair covering to contain long hair and keep it from being drawn into air vents.
11. **ALWAYS WEAR SAFETY GLASSES.** Everyday eyeglasses have only impact-resistant lenses; they are **NOT** safety glasses.
12. **PROTECT YOUR LUNGS.** Wear a face or dust mask if the sanding operation is dusty.
13. **PROTECT YOUR HEARING.** Wear hearing protection during extended periods of operation.
14. **DON'T ABUSE CORD.** Never carry tool by cord or yank it to disconnect from receptacle. Keep cord from heat, oil and sharp edges.

RULES FOR SAFE OPERATION (Continued)

15. **SECURE WORK.** Use clamps or a vise to hold work. It's safer than using your hand and it frees both hands to operate the tool.
16. **DON'T OVERREACH.** Keep proper footing and balance at all times. Do not use on a ladder or unstable support.
17. **MAINTAIN TOOLS WITH CARE.** Keep tools sharp at all times, and clean for best and safest performance. Follow instructions for lubricating and changing accessories.
18. **DISCONNECT TOOLS.** When not in use, before servicing, or when changing attachments, blades, bits, cutters, sandpaper, etc., all tools should be disconnected from power supply.
19. **REMOVE ADJUSTING KEYS AND WRENCHES.** Form habit of checking to see that keys and adjusting wrenches are removed from tool before turning it on.
20. **AVOID ACCIDENTAL STARTING.** Don't carry plugged-in tools with finger on switch. Be sure switch is off when plugging in.
21. **OUTDOOR USE EXTENSION CORDS.** When tool is used outdoors, use only extension cords suitable for use outdoors. Outdoor approved cords are marked with the suffix W-A, for example - SJWTW-A or SJOW-A.
22. **NEVER USE THIS OR ANY POWER SANDER FOR WET SANDING OR LIQUID POLISHING.** Failure to comply can result in electrical shock causing serious injury or worse.
23. **KEEP HANDS AWAY FROM SANDING AREA AND MOVING SANDING BELT.**
24. **NEVER USE IN AN EXPLOSIVE ATMOSPHERE.** Normal sparking of the motor could ignite fumes.
25. **INSPECT TOOL CORDS PERIODICALLY** and if damaged, have repaired by an authorized service center. Stay constantly aware of cord location.
26. **INSPECT EXTENSION CORDS PERIODICALLY** and replace if damaged.
27. **KEEP HANDLES DRY, CLEAN, AND FREE FROM OIL AND GREASE.** Always use a clean cloth when cleaning. Never use brake fluids, gasoline, petroleum-based products or solvents to clean your tool.
28. **STAY ALERT.** Watch what you are doing and use common sense. Do not operate tool when you are tired. Do not rush.
29. **CHECK DAMAGED PARTS.** Before further use of the tool, a guard or other part that is damaged should be carefully checked to determine that it will operate properly and perform its intended function. Check for alignment of moving parts, binding of moving parts, breakage of parts, mounting, and any other conditions that may affect its operation. A guard or other part that is damaged should be properly repaired or replaced by an authorized service center.
30. **DO NOT USE TOOL IF SWITCH DOES NOT TURN IT ON AND OFF.** Have defective switches replaced by an authorized service center.
31. Inspect for and remove all nails from lumber before sanding.
32. **DRUGS, ALCOHOL, MEDICATION.** Do not operate tool while under the influence of drugs, alcohol, or any medication.
33. **DO NOT USE THIS SANDER FOR OVERHEAD SANDER.** Overhead sanding could result in dropping sander or loss of control. These situations could result in an accident resulting in possible serious injury.
34. **When servicing use only identical Ryobi replacement parts.**
35. **SAVE THESE INSTRUCTIONS.** Refer to them frequently and use them to instruct others who may use this tool. If you loan someone this tool, loan them these instructions also.

OPERATION

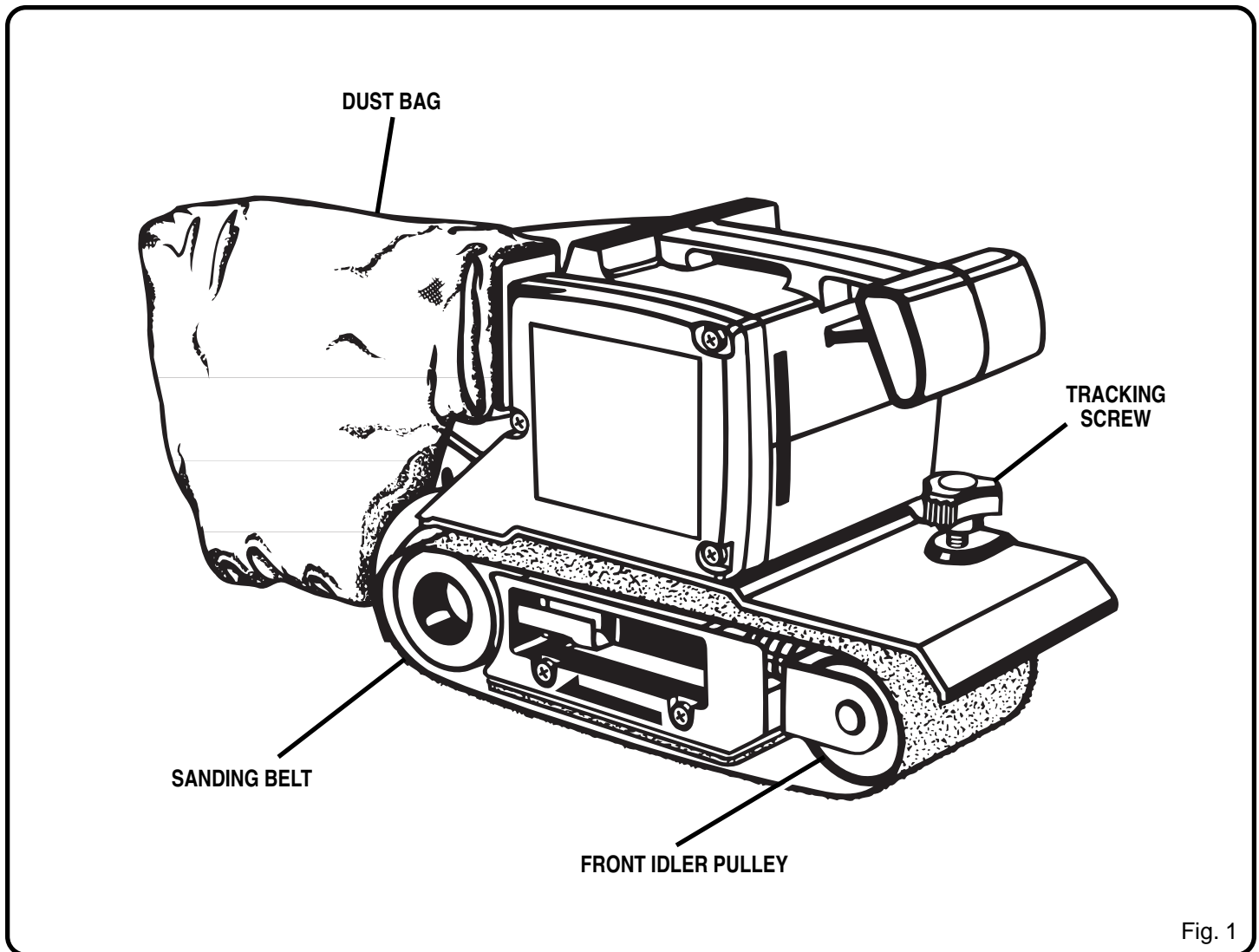
KNOW YOUR BELT SANDER

Before attempting to use your sander, familiarize yourself with all operating features and safety requirements. See Figure 1.

WARNING: IF ANY PARTS ARE MISSING DO NOT OPERATE YOUR SANDER UNTIL THE MISSING PARTS ARE REPLACED. FAILURE TO DO SO COULD RESULT IN POSSIBLE SERIOUS PERSONAL INJURY.

ELECTRICAL CONNECTION

Your sander has a precision built electric motor. It should be connected to a **power supply that is 230 volts, 50 Hz, AC only (normal household current)**. Do not operate this tool on direct current (DC). A substantial voltage drop will cause a loss of power and the motor will overheat. If your tool does not operate when plugged into an outlet, double-check the power supply.



WARNING: DO NOT ALLOW FAMILIARITY WITH YOUR SANDER TO MAKE YOU CARELESS. REMEMBER THAT A CARELESS FRACTION OF A SECOND IS SUFFICIENT TO INFLICT SEVERE INJURY.

WARNING:



The operation of any sander can result in foreign objects being thrown into your eyes, which can result in severe eye damage. Before beginning power tool operation, always wear safety goggles or safety glasses with side shields and a full face shield when needed. We recommend Wide Vision Safety Mask for use over eyeglasses or standard safety glasses with side shields.

OPERATION

WARNING: YOUR SANDER SHOULD NEVER BE CONNECTED TO POWER SUPPLY WHEN YOU ARE ASSEMBLING PARTS, CHANGING BELTS, OR MAKING ADJUSTMENTS.

SWITCH

The switch of your sander is equipped with a "lock-off" button that reduces the possibility of accidental starting. You must depress and hold the "lock-off" button, pull the switch trigger, then release the "lock-off" button. See Figure 2.

WARNING: BEFORE CONNECTING YOUR SANDER TO POWER SUPPLY SOURCE, ALWAYS MAKE SURE YOU DO NOT HAVE THE SWITCH TRIGGER DEPRESSED IN THE "ON" POSITION. FAILURE TO DO SO COULD RESULT IN ACCIDENTAL STARTING OF YOUR SANDER RESULTING IN POSSIBLE SERIOUS INJURY.

APPLICATIONS

(Use only for the purpose listed below)

- Coarse, medium and fine sanding of wood, metals, plastics and other materials.
- Smoothing rough boards, chamfering, rounding edges and many other general sanding applications.
- Removing rust, paint, varnishes, and stains.

PREPARING FOR OPERATION

For ease of operation and maintaining proper control, your sander has a front handle and a rear handle. These handles allow two-hand operation which aid in maintaining control, keeping sanding area level with workpiece, and keeping hands clear of sanding belt. When operating your sander always hold the front handle with your left hand and the rear handle with your right hand as shown in Figure 2.

WARNING: KEEP HANDS AND FINGERS CLEAR OF MOVING SANDING BELT, FRONT IDLER PULLEY AND DRIVE ROLLER ASSEMBLY. FAILURE TO DO SO WILL RESULT IN THE SANDING OF YOUR HANDS OR FINGERS.

See Figure 3.

WARNING: DO NOT LET YOUR FINGERS REST OVER THE FRONT OR RIGHT EDGE OF THE SANDER. IF THE SANDING BELT WERE TO RUN OFF, OR IF IT WERE NOT PROPERLY ADJUSTED, YOUR FINGERS COULD COME IN CONTACT WITH THE MOVING SANDING BELT RESULTING IN POSSIBLE SERIOUS INJURY.

Always operate your sander as shown in Figure 2.

LUBRICATION

All of the bearings in this tool are lubricated with a sufficient amount of high grade lubricant for the life of the unit under normal operating conditions. Therefore, no further lubrication is required.

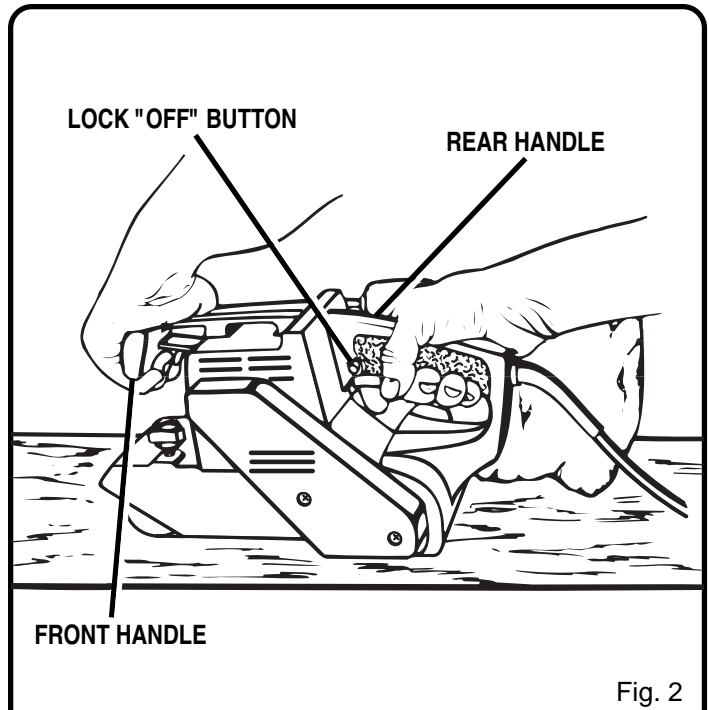


Fig. 2

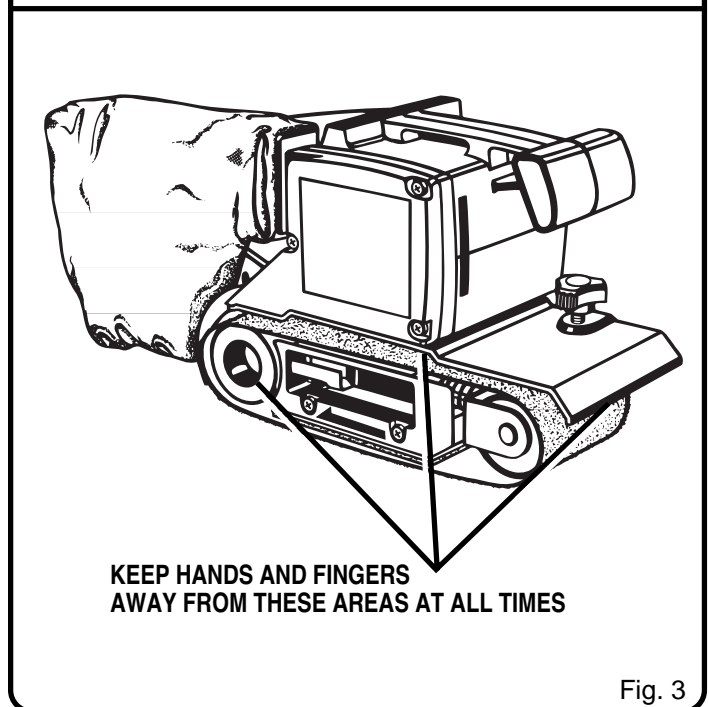


Fig. 3

SANDING BELT SELECTION

Selecting the correct size and type sanding belt is an extremely important step in achieving a high quality sanded finish. Standard 75 mm x 534 mm sanding belts made of aluminum oxide, silicon carbide, and other synthetic abrasives are best for power sanding. In general, coarse grit will remove the most material and fine grit will produce the smoothest finish in all sanding operations. The condition of the surface to be sanded will determine which grit belt will do the job. If the surface is rough, start with a coarse grit and sand until the surface is uniform. Medium grit may then be used to remove scratches left by the coarser belt and fine grit belt used for finishing of the surface. Always continue sanding with each grit belt until surface is uniform.

OPERATION

WARNING: ALWAYS WEAR SAFETY GOGGLES OR SAFETY GLASSES WITH SIDE SHIELDS WHEN OPERATING YOUR SANDER. IF THE SANDING OPERATION IS DUSTY, ALSO WEAR A FACE OR DUST MASK. FAILURE TO DO SO COULD RESULT IN DUST OR LOOSE PARTICLES BEING THROWN INTO YOUR EYES, RESULTING IN POSSIBLE SERIOUS INJURY.

INSTALLING DUST BAG

See Figure 4.

DISCONNECT SANDER FROM POWER SUPPLY WHILE ASSEMBLING PARTS OR MAKING ADJUSTMENTS.

TO INSTALL:

1. Fit opening in dust bag retainer over dust exhaust hole on blower cover.
2. Slide dust bag retainer in the direction of the arrow as shown in Figure 4.
3. Dust bag is secure when it fits snugly on blower cover.
4. For most efficient operation, empty dust bag when half full.

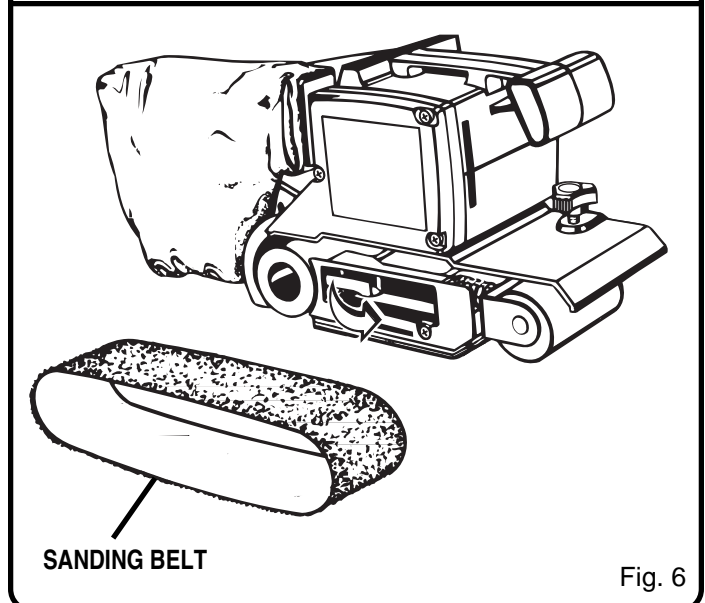
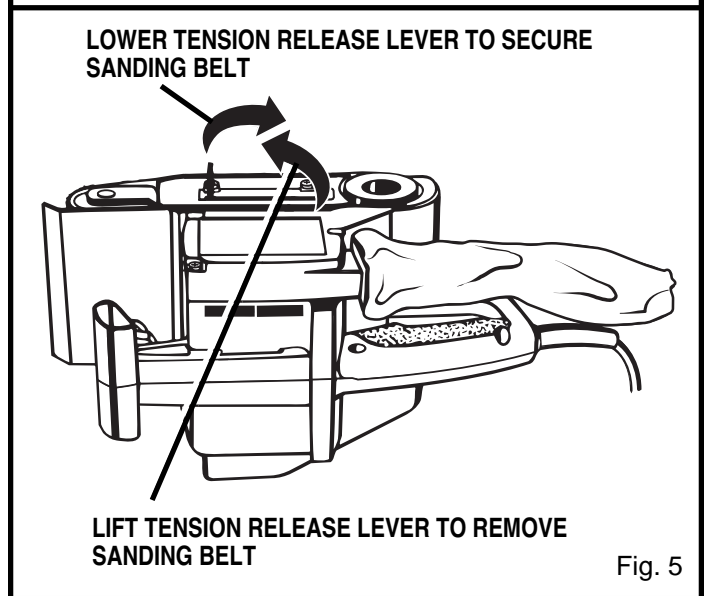
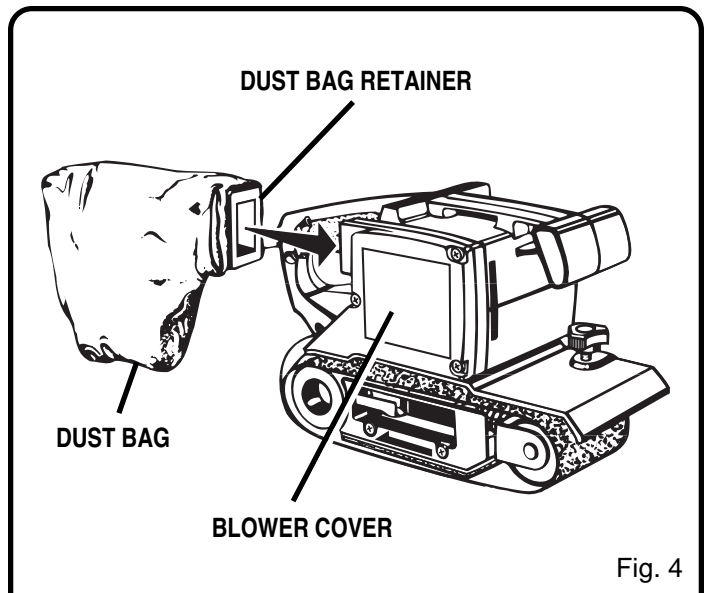
WARNING: TO PREVENT THE POSSIBILITY OF SAWDUST BEING THROWN INTO YOUR FACE AND EYES, NEVER ATTEMPT TO USE YOUR SANDER WITHOUT DUST BAG PROPERLY INSTALLED. SAWDUST BEING THROWN INTO YOUR FACE AND EYES COULD RESULT IN POSSIBLE SERIOUS INJURY.

INSTALLING AND ADJUSTING SANDING BELT

DISCONNECT SANDER FROM POWER SUPPLY WHILE ASSEMBLING PARTS OR MAKING ADJUSTMENTS.

To release the sanding belt, lift tension release lever straight up as shown in figure 5. When sufficient force is exerted, the spring will be compressed allowing the pulley to lock in a rear position. This frees the sanding belt so it can be removed. Install new belt. See Figure 6. Roughly align the belt to its correct position, then release tension on pulley. Release tension by lowering tension release lever as shown in Figure 5. The pulley will snap back into operating position.

WARNING: KEEP HANDS AND FINGERS CLEAR OF FRONT IDLER PULLEY AND SPRING MECHANISM AT ALL TIMES. FAILURE TO DO SO COULD RESULT IN THEM GETTING PINCHED, RESULTING IN POSSIBLE SERIOUS INJURY.



OPERATION

ALWAYS WEAR SAFETY GOGGLES OR SAFETY GLASSES WITH SIDE SHIELDS WHEN OPERATING YOUR SANDER. To adjust sanding belt, connect sander to power supply. Place sander in upside down position as shown in Figure 7. **NOTE:** This position is for adjustments only. The sander is not in an operating position. Pull switch trigger and release immediately. Observe tracking of sanding belt. If the sanding belt runs inward, turn the tracking screw clockwise. If the sanding belt runs outward, turn the tracking screw counterclockwise. This should be done until you are sure belt will not run off sander, or come in contact with internal parts. After installing a new sanding belt, it may become necessary to change the adjustment several times until the belt becomes pliable.

WARNING: IF SANDING BELT BEGINS TO WEAR EXCESSIVELY ON THE INNER EDGE, READJUST TRACKING SCREW. IT IS ADJUSTED TOO FAR INWARD AND THE SANDING BELT IS RUBBING AGAINST INTERNAL PARTS.

When you are sure the belt will not rub against internal parts, start your sander and fine adjust the tracking screw until the belt stabilizes. See Figure 8.

When correctly adjusted, the outer edge of the belt will be even with the outer edge of the base of your sander. Belt life will be greatly increased if a few seconds are spent adjusting the belt tracking.

WARNING: KEEP HANDS AND FINGERS AWAY FROM MOVING SANDING BELT. ANY PART OF YOUR BODY COMING IN CONTACT WITH MOVING BELT COULD RESULT IN SERIOUS INJURY. DO NOT WEAR LOOSE CLOTHING OR JEWELRY WHEN OPERATING YOUR SANDER. THEY COULD GET CAUGHT IN MOVING PARTS AND FOREIGN OBJECTS COULD GET THROWN AWAY FROM SANDER CAUSING INJURY.

TO OPERATE

Clamp or otherwise secure the work to prevent it from moving under your sander.

WARNING: UNSECURED WORK COULD BE THROWN BACK TOWARD OPERATOR CAUSING INJURY.

Before placing sander on work surface, squeeze the trigger switch and let the motor reach its maximum speed, then lower your sander to the work surface with a slight forward motion. Using the rear handle to control your sander and the front handle only to guide it, move it slowly over the work. See Figure 9. Allowing your sander to remain in one place will result in an uneven surface.

WARNING: KEEP A FIRM GRIP ON SANDER WITH BOTH HANDS AT ALL TIMES. FAILURE TO DO SO COULD RESULT IN LOSS OF CONTROL LEADING TO POSSIBLE SERIOUS INJURY.

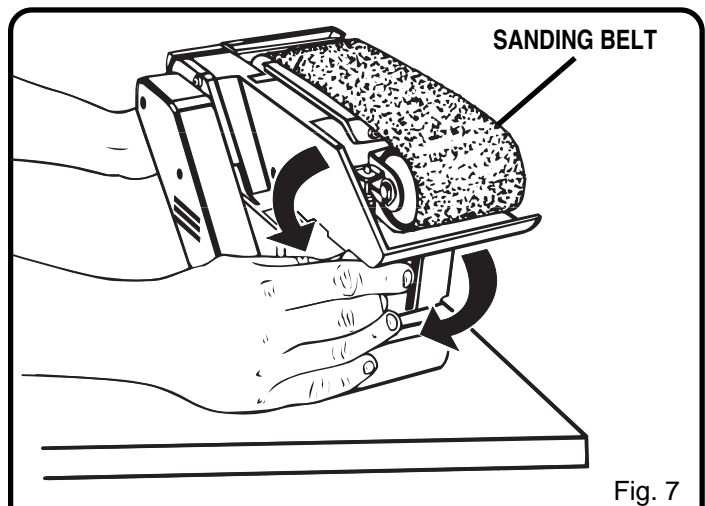


Fig. 7

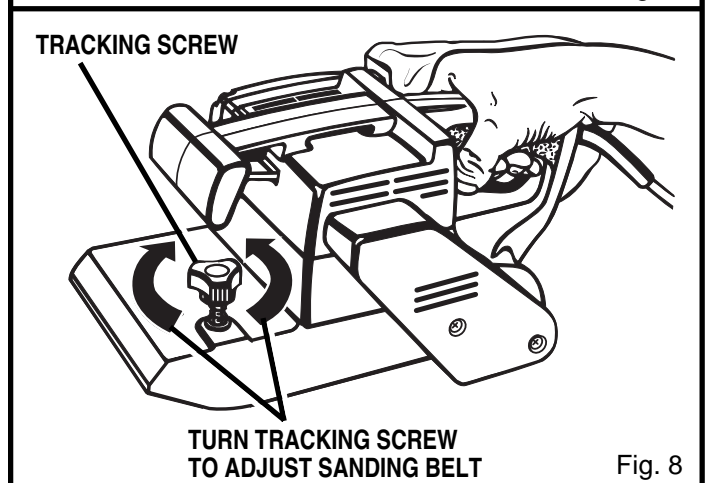


Fig. 8

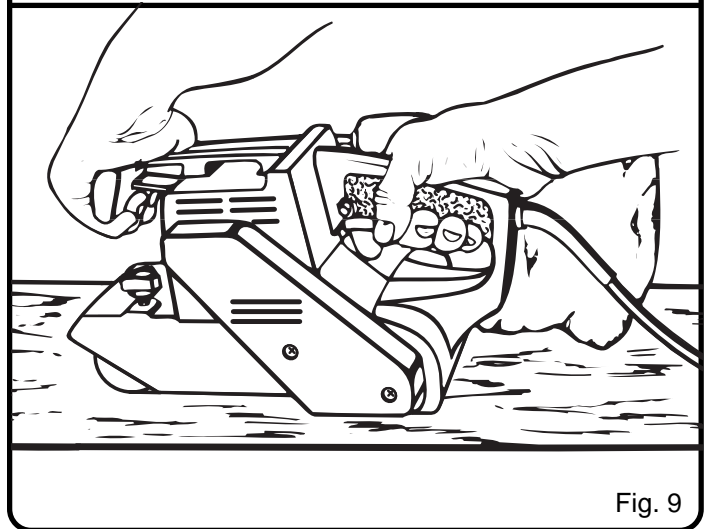


Fig. 9

Your sander was designed to provide the proper weight on the sanding belt. Extra pressure will result in uneven work, clogged belts, and possible motor burnout. **NOTE:** The front roller of your sander was not designed for contour sanding. Sanding on the front roller could cause irregularity in sanding belt tracking.

Use a coarser belt when heavy cutting is desired, not heavy pressure. The importance of this cannot be over-emphasized. The weight has been built into the tool to give the most efficient pressure at the proper location.

MAINTENANCE

WARNING: WHEN SERVICING USE ONLY IDENTICAL RYOBI REPLACEMENT PARTS. USE OF ANY OTHER PARTS MAY CREATE A HAZARD OR CAUSE PRODUCT DAMAGE.

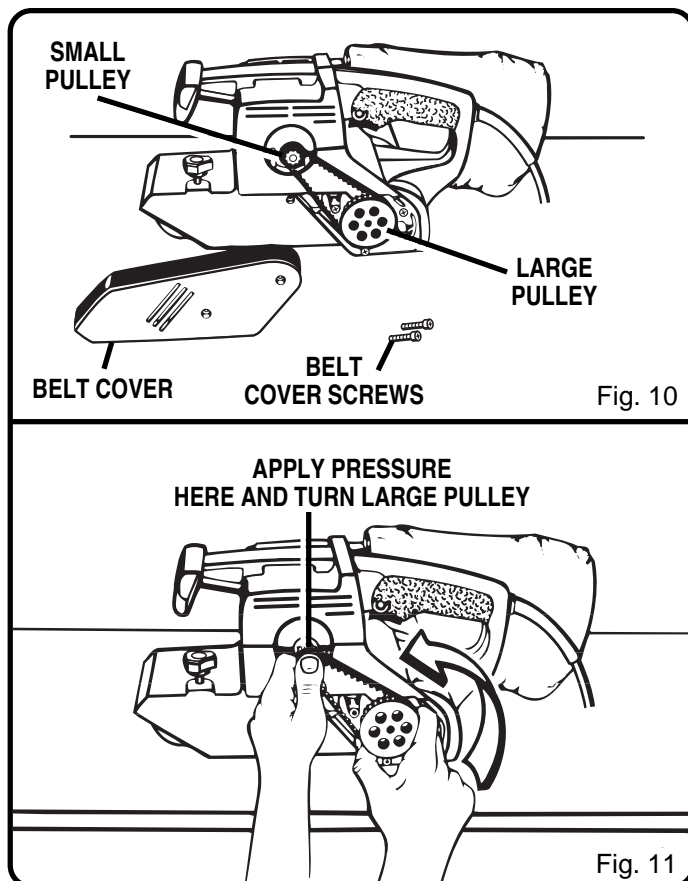
TIMING BELT REPLACEMENT

DISCONNECT SANDER FROM POWER SUPPLY BEFORE SERVICING.

WHEN REPLACING TIMING BELT USE RECOMMENDED REPLACEMENT BELT ONLY. See Parts List, Page 11.

1. Remove sanding belt from sander. See installing and adjusting sanding belt, Page 6. **NOTE: REMOVING THE SANDING BELT WILL SIMPLIFY THE PROCESS OF INSTALLING YOUR NEW TIMING BELT.**
2. Remove the two belt cover screws. Then remove the belt cover. See Key Numbers 1 and 2 on exploded view and parts list, pages 10 and 11.
3. Force old belt from small pulley with a screwdriver and remove it from large pulley. If it is worn out, simply cut the old belt and remove it.
4. Install new belt over large pulley first. See Figure 10.
5. Holding the belt as shown in Figure 11, press the belt onto the small pulley. **NOTE: TO SIMPLIFY THE PROCESS, TURN THE LARGE PULLEY AS YOU PRESS THE BELT ONTO THE SMALL PULLEY.**
6. Reassemble belt cover and screws.

CAUTION: NEVER ATTEMPT TO OPERATE YOUR SANDER WITHOUT BELT COVER IN PLACE. FAILURE TO DO SO COULD RESULT IN POSSIBLE SERIOUS INJURY.



EXTENSION CORDS

The use of any extension cord will cause some loss of power. To keep the loss to a minimum and to prevent tool from overheating, follow the recommended cord sizes on the table. Every 230 volt flexible extension cord shall be of heavy duty sheathed type to comply with AS3199, Approval and Test Specification, Cord Extension Sets. When working with your tool outdoors, use an extension cord suitable for outdoor use and so marked.

Cord extension set rating	Conductor area sq. mm	Maximum length of flexible cord m
10	1.0	25
10	1.5	32
15	1.5	25
15	2.5	40
20	2.5	32
20	4.0	40

CAUTION: Keep extension cords away from the sanding area and position the cord so that it will not get caught on lumber, tools, etc., during sanding.

WARNING: CHECK EXTENSION CORDS BEFORE EACH USE. IF DAMAGED REPLACE IMMEDIATELY. NEVER USE TOOL WITH A DAMAGED CORD SINCE TOUCHING THE DAMAGED AREA COULD CAUSE ELECTRICAL SHOCK RESULTING IN SERIOUS INJURY.

MAINTENANCE

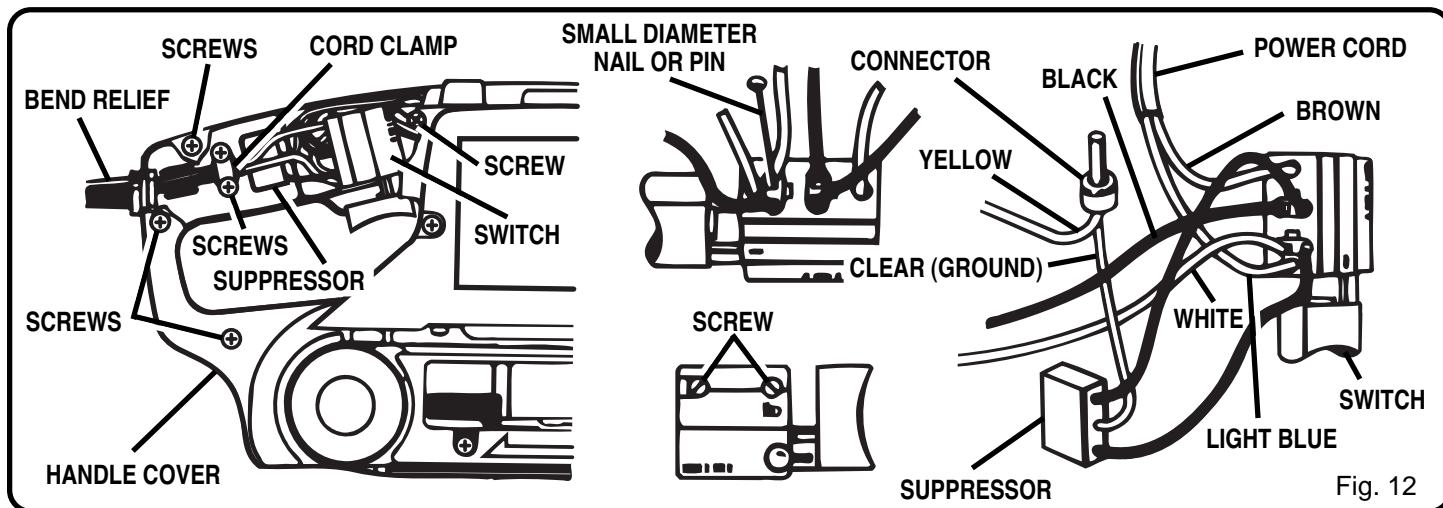


Fig. 12

SWITCH REPLACEMENT

DISCONNECT THE SANDER FROM POWER SUPPLY WHILE REPLACING PARTS OR MAKING ADJUSTMENTS.

1. Remove the handle cover and screws. **NOTE THE LOCATIONS OF ALL WIRING IN THE HANDLE AND HOW EACH CONNECTION IS MADE TO THE SWITCH.** Connections and wiring position must be identical when installing the new switch. *See Figure 12.*
2. Lift the switch away from the handle. Release power cord leads from the switch by loosening the two screws in the switch body.
3. Release motor leads from switch by inserting a small diameter pin or nail into remaining switch lead receptacles. *See Figure 12.*
4. Make lead connections to the new switch by positioning power cord leads in place and tightening the two screws on switch body. Push motor leads as far as possible into the switch lead receptacles. Pull on leads to check lead connections with lead receptacles.
5. Position the switch in place, and arrange the wiring in the handle so that it will not be pinched or contact screws when the handle cover and screws are replaced. *See Figure 12.*
6. Arrange suppressor, connectors, and suppressor leads in the handle so that they will not be pinched or contact screws when the handle cover and screws are replaced. *See Figure 12.*
7. Replace handle cover and screws.
8. Tighten all screws securely.

GENERAL

Avoid using solvents when cleaning plastic parts. Most plastics are susceptible to various types of commercial solvents and may be damaged by their use. Use clean cloths to remove dirt, carbon dust, etc.

When electric tools are used on fiberglass boats, sports cars, wallboard, spackling compounds, or plaster, it has been found that they are subject to accelerated wear and possible premature failure, as the fiberglass chips and grindings are highly abrasive to bearings, brushes, commutator, etc. Consequently it is not recommended that this tool be used for extended work on any fiberglass material, wallboard, spackling compounds, or plaster. During any use on these materials, it is extremely important that the tool is cleaned frequently by blowing with an air jet.

CORD REPLACEMENT

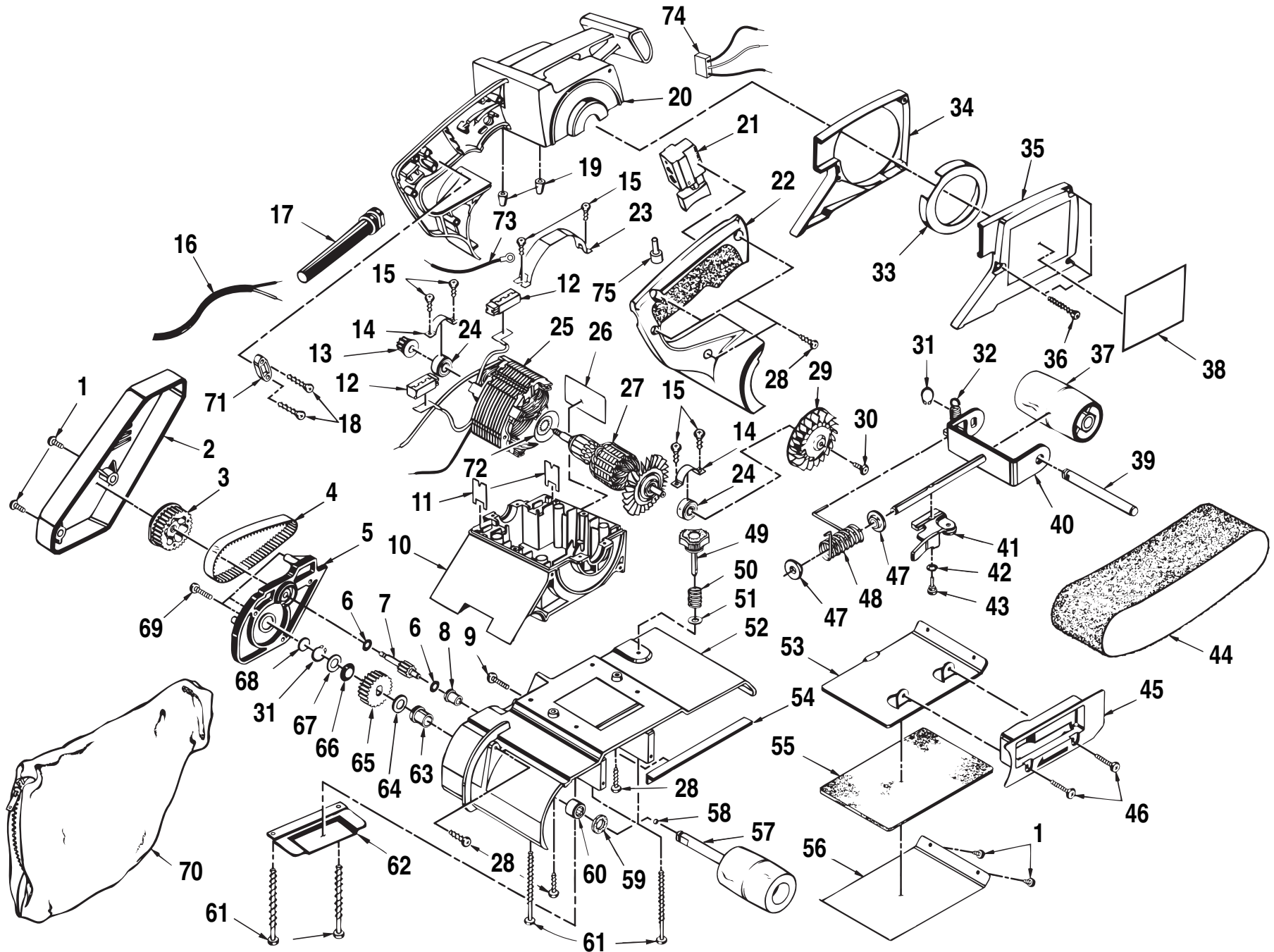
DISCONNECT THE SANDER FROM POWER SUPPLY WHILE REPLACING PARTS OR MAKING ADJUSTMENTS.

1. Remove handle cover and screws. **NOTE THE LOCATIONS OF ALL WIRING IN THE HANDLE AND HOW EACH CONNECTION IS MADE TO THE CORD.** Connections and wiring position must be identical when installing the new cord. *See Figure 12.*
2. Remove the cord clamp screws and cord clamp.
3. Lift the switch away from the handle. Release power cord leads from the switch by loosening the two screws in the switch body.
4. Remove the bend relief from the old cord and place it on the new one.
5. Make new power cord lead connections to switch by positioning leads in place and tightening the two screws on the switch body. Pull on leads to check lead connections with lead receptacles.
6. Position the switch in place, and arrange all wiring in the handle so that it will not be pinched or contact screws when the handle cover and screws are replaced. *See Figure 12.*
7. Arrange suppressor, connectors, and suppressor leads in the handle so that they will not be pinched or contact screws when the handle cover and screws are replaced. *See Figure 12.*
8. Replace cord clamp, cord clamp screws, handle cover, and handle cover screws.
9. Tighten all screws securely.

WARNING: DO NOT AT ANY TIME LET BRAKE FLUIDS, GASOLINE, PETROLEUM-BASED PRODUCTS, PENETRATING OILS, ETC., COME IN CONTACT WITH PLASTIC PARTS. THEY CONTAIN CHEMICALS THAT CAN DAMAGE, WEAKEN, OR DESTROY PLASTIC.

WARNING: ALWAYS WEAR SAFETY GOGGLES OR SAFETY GLASSES WITH SIDE SHIELDS DURING POWER TOOL OPERATION OR WHEN BLOWING DUST. IF OPERATION IS DUSTY ALSO WEAR A DUST MASK.

RYOBI DUSTLESS BELT SANDER - MODEL NUMBER B850



RYOBI DUSTLESS BELT SANDER - MODEL NUMBER B850

The model number will be found on a plate attached to the motor housing. Always mention the model number in all correspondence regarding your **Belt Sander** or when ordering repair parts.

PARTS LIST

Key No.	Description	Quan.	Key No.	Description	Quan.
1	Screw (#8-32 x 3/8 in. Pan Hd. T. F.)	4	40	Yoke Assembly (Includes Key No. 32)	1
2	Belt Cover	1	41	Release Lever Assembly	1
3	Driven Pulley	1	42	Washer	1
4	Timing Belt	1	43	Screw (#10-32 x 1/2 in. Pan Hd.)	1
5	Gear Housing Cover w/Bearing	1	44	75 mm x 534 mm Sanding Belt — Complete Assortment Available at Your Nearest Catalog Order or Retail Store	1
6	Washer	2	45	Glamor Plate	1
7	Pinion	1	46	Screw (#10-32 x 7/8 in. Pan Hd. T. F.)	2
8	Flange Bearing	1	47	Bushing	2
9	Screw (#8-32 x 7/8 in. Fil. Hd.)	1	48	Torsion Spring	1
10	Motor Housing	1	49	Tracking Knob	1
11	Insulator	2	50	Spring	1
12	Brush Tube Assembly	2	51	Washer	1
13	Pulley	1	52	Gear Housing w/Bearings (Includes. Key Nos. 8, 59, 60 and 63)	1
14	Bearing Strap	2	53	Platen	1
15	Screw (#8-10 x 1/2 in. Fil. Hd.)	6	54	Wear Strip	1
16	Cord	1	55	Backing Pad	1
17	Bend Relief	1	56	Wear Plate	1
18	Screw (#6-19 x 5/8 in. Pan Hd.)	2	57	Drive Roller Assembly	1
19	Bumper	2	58	Steel Ball	1
20	Motor Housing Cover	1	59	Felt Seal	1
21	Switch	1	60	Bearing	1
22	Handle Cover	1	61	Screw (#8-10 x 2-1/4 in. Fil. Hd.)	4
23	Field Strap	1	62	Deflector	1
24	Ball Bearing (NACHI 608ZZ C3/1E)	2	63	Flange Bearing	1
25	Field Assembly	1	64	Washer	1
26	Data Plate	1	65	Gear	1
27	Armature (Includes Key Nos. 24 and 72)	1	66	Spring Washer (Assemble Flat Side to Gear)	1
28	Screw (#8-10 x 5/8 in. Pan Hd.)	7	67	Washer	1
29	Blower	1	68	Thrust Washer	1
30	Screw (#10-32 x 3/8 in. Wafer Hd.)	1	69	Screw (#8-32 x 3/8 in. Pan Hd.)	3
31	Retaining Ring	2	70	Dust Bag Assembly	1
32	Spring	1	71	Cord Clamp	1
33	Shroud	1	72	Washer	1
34	Blower Housing	1	73	Yellow Lead	1
35	Blower Cover	1	74	Suppressor	1
36	Screw (#8-10 x 1-1/8 in. Fil. Hd.)	3	75	Connector	1
37	Idler Roller w/Bearings	1		Owner's Manual	1
38	Logo Plate	1			
39	Idler Roller Shaft	1			

WARNING: IMPROPER REPAIR OF A DOUBLE INSULATED TOOL CAN RESULT IN DAMAGES TO THE DOUBLE INSULATION SYSTEM POSSIBLY CAUSING ELECTRICAL SHOCK OR ELECTROCUTION. ANY REPAIRS REQUIRING DISASSEMBLY OF YOUR TOOL REQUIRES SAFETY TESTING AND SHOULD ONLY BE PERFORMED BY AN AUTHORIZED SERVICE CENTER OR OTHER QUALIFIED SERVICE ORGANIZATION.



OWNER'S OPERATING MANUAL

3" DUSTLESS BELT SANDER / B850

DOUBLE INSULATED

- **SERVICE**

Now that you have purchased your Tool, should a need ever exist for repair parts or service, simply contact your nearest Ryobi Authorized Service Center or other qualified service organization. Be sure to provide all pertinent facts when you call or visit.

- **MODEL NO.**

The model number of your Tool will be found on a plate attached to the motor housing.

- **HOW TO ORDER REPAIR PARTS**

WHEN ORDERING REPAIR PARTS,
ALWAYS GIVE THE FOLLOWING INFORMATION:

- | | |
|--|---|
| <ul style="list-style-type: none">• MODEL NUMBER
B850 | <ul style="list-style-type: none">• PART DESCRIPTION• NAME OF ITEM
3" Dustless Belt Sander |
|--|---|

All parts listed may be ordered from any Ryobi Authorized Service Center or other qualified service organization.

Free Manuals Download Website

<http://myh66.com>

<http://usermanuals.us>

<http://www.somanuals.com>

<http://www.4manuals.cc>

<http://www.manual-lib.com>

<http://www.404manual.com>

<http://www.luxmanual.com>

<http://aubethermostatmanual.com>

Golf course search by state

<http://golfingnear.com>

Email search by domain

<http://emailbydomain.com>

Auto manuals search

<http://auto.somanuals.com>

TV manuals search

<http://tv.somanuals.com>