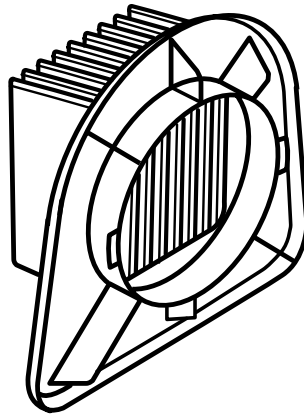




# OPERATOR'S MANUAL

REPLACEMENT FILTER NO. A32VC02

For Ryobi Cordless Hand Vac – Model Nos. VC722 and VC120



Always mention the above number when communicating with us regarding this replacement filter.

We have engineered and manufactured your new replacement filter to Ryobi's high standard for dependability, ease of operation, and operator safety. When properly cared for, the replacement filter will give you years of rugged, trouble-free performance.



**WARNING:** To reduce the risk of injury, the user must read and understand this operator's manual and the operator's manual for your Hand Vac.

Thank you again for buying a Ryobi replacement filter .

**SAVE THIS MANUAL FOR FUTURE REFERENCE**

## IMPORTANT SAFETY INSTRUCTIONS

When using an electrical appliance, basic precautions should always be followed, including the following:

### READ ALL INSTRUCTIONS BEFORE USING HAND VAC

#### **WARNING:**

To reduce the risk of fire, electric shock, or injury, read and understand all instructions in this operator's manual and the operator's manual for the hand vac before using hand vac, changing attachments, filters, or making adjustments.

- Do not use outdoors or on wet surfaces.
- Use only as described in this manual. Use only with the VC722 or VC120 Hand Vac.
- Do not allow to be used as a toy. Close attention is necessary when used by or near children.
- Keep hair, loose clothing, fingers, and all parts of the body away from openings and moving parts.
- A cordless hand vac does not have to be plugged into an electrical outlet, therefore it is always in operating condition. Be aware of possible hazards when using your hand vac or when changing accessories.
- DO NOT PLACE BATTERY PACK NEAR FIRE OR HEAT. The batteries may explode.

## SAVE THESE INSTRUCTIONS

### REPLACING FILTER

See Figures 1 & 2.

#### **WARNING:**

Never use your hand vac without dust bowl and filter properly in place.

### REMOVING DUST BOWL

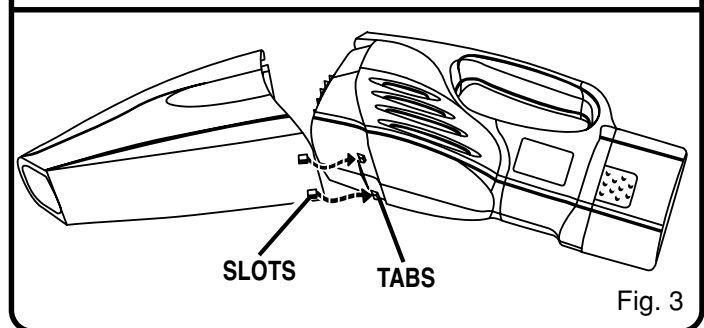
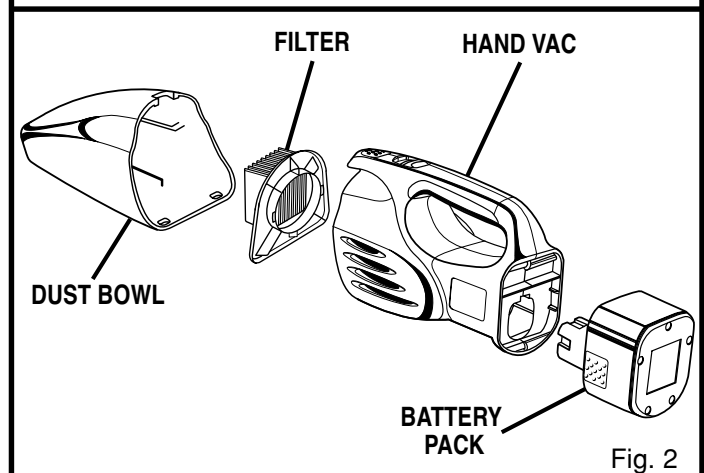
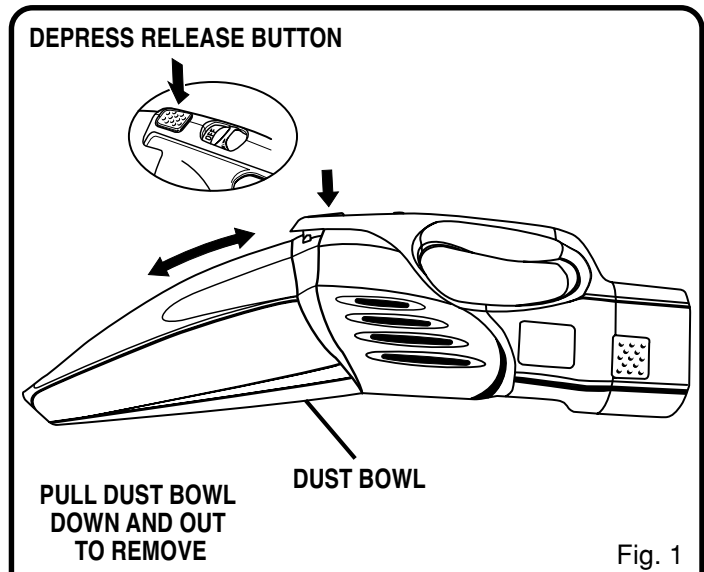
**NOTE:** The dust bowl should be checked, emptied and cleaned periodically to obtain maximum dust collection.

- Turn off hand vac and remove battery pack before changing attachments, filters, or making adjustments.
- Depress the release button located on top of hand vac. Pull dust bowl down and out to separate from motor housing.
- Remove the filter by pulling it out of dust bowl
- Dispose of filter.
- Empty dust bowl and wash if necessary. Make sure dust bowl is completely dry before reattaching to hand vac.
- Insert new filter into dust bowl as shown in Figure 2.

### REATTACHING DUST BOWL

See Figure 3.

- Position the two sections as shown. Align slots on bottom of dust bowl with tabs on bottom of motor housing then snap the two sections together.



## RYOBI TECHNOLOGIES, INC.

1428 Pearman Dairy Road, Anderson, SC 29625  
Post Office Box 1207, Anderson, SC 29622-1207  
Phone 1-800-525-2579  
www.ryobitools.com

983000-098  
11-02

## Free Manuals Download Website

<http://myh66.com>

<http://usermanuals.us>

<http://www.somanuals.com>

<http://www.4manuals.cc>

<http://www.manual-lib.com>

<http://www.404manual.com>

<http://www.luxmanual.com>

<http://aubethermostatmanual.com>

Golf course search by state

<http://golfingnear.com>

Email search by domain

<http://emailbydomain.com>

Auto manuals search

<http://auto.somanuals.com>

TV manuals search

<http://tv.somanuals.com>