

salton®

CINEMA POPPER

6 LITRE/QUART CORN POPPER



Instruction Booklet

Model: CP-1204

IMPORTANT SAFEGUARDS

When using electrical appliances, basic safety precautions should always be followed including the following:

1. Read all instructions.
2. Do not touch hot surfaces. Use handles or knobs.
3. To protect against electrical hazards, do not immerse cord, plugs, or the appliance in water or other liquid.
4. Close supervision is necessary when any appliance is used by or near children.
5. Unplug from outlet when not in use and before cleaning. Allow to cool before putting on or taking off parts, and before cleaning the appliance.
6. Do not operate any appliance with a damaged cord or plug or after the appliance malfunctions, or has been damaged in any manner. Return appliance to Salton for examination, repair or adjustment. See Warranty.
7. The use of accessories or attachments not recommended by Salton may cause hazards.
8. Do not use outdoors.
9. Do not let cord hang over edge of table or counter, or touch hot surfaces.
10. Do not place on or near a hot gas or electric burner, or in a heated oven.
11. Always attach plug to appliance first, then plug cord into the wall outlet. To disconnect, turn any control to 'OFF', then remove plug from wall outlet.
12. Extreme caution must be used when moving an appliance containing hot liquids.
13. This appliance is for Household Use Only. Do not use appliance for other than intended use.
14. Do not leave unit unattended while in use.
15. A corn popper that is plugged into an outlet should not be left unattended.
16. Extreme caution must be used when unloading popcorn. Always turn the unit over a counter-top so that residual hot oil or water running out will not cause burns.

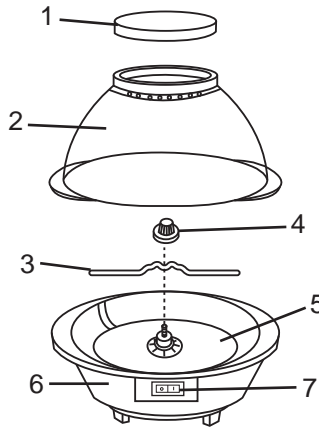
SAVE THESE INSTRUCTIONS
HOUSEHOLD USE ONLY

GROUNDING PLUG

This appliance has a polarized plug (one blade is wider than the other). To reduce the risk of electric shock, this plug will fit in a polarized outlet only one way. If the plug does not fit fully in the outlet, reverse the plug. If it still does not fit, contact a qualified electrician. Do not modify the plug in any way.

DESCRIPTION OF PARTS

1. Plastic Cap
2. Cover
3. Stirring Rod
4. Center Knob
5. Popping Surface
6. Base
7. On/Off switch



HOW TO USE

1. Place the Base on a flat, dry surface close to a 120 volt AC outlet.
2. See the chart below and measure the proper amount of vegetable oil and kernels. Pour oil onto the Popping Surface then spread the corn kernels evenly over Popping Surface.

NOTE: DO NOT add more corn kernels or oil than is recommended.
DO NOT substitute butter, margarine, shortening or lard for vegetable oil as they will burn or smoke excessively.

3. Place Cover on Base making sure the handles of the Cover fit into the handles of the Base.
4. Remove the Plastic Cap.
5. If butter corn is desired, divide recommended amount of refrigerated butter into 6 equal-sized pats and place in a single layer over the butter holes in the Butter Well. If unrefrigerated butter is used, add to Butter Well after the first corn kernel pops.
6. Plug the Popcorn Maker into the outlet and switch the unit to the 'I' position.

7. The Stirring Rod will start to rotate and will rotate as long as the switch is in the 'I' position. Do not shake the unit during the popping cycle.
8. The popping cycle is complete when the popping sound becomes infrequent or less intense. To avoid burning the popcorn, immediately press the On/Off switch to the Off (O) position and unplug the unit from the wall outlet. Snap the Plastic Cap securely onto the Butter Well. Using oven mitts, grasp the handles and flip the Popcorn Maker upside down, turning it away from you. Lift the Popcorn Maker Base away from the Cover, being careful of the escaping steam.
9. Popcorn is ready to serve. If desired, sprinkle salt or seasonings over the popcorn.
10. If additional batches of popcorn are desired, transfer popcorn into another serving bowl and allow the Corn Popper to cool with the Cover off, then follow steps 2 – 10.

IMPORTANT NOTE: If the Corn Popper is still hot when popping subsequent batches, the kernels will not pop as efficiently as the first batch.

IMPORTANT: After two batches the unit must be cooled down for at least 15 minutes.

Popcorn	Vegetable Oil	Kernels	Refridgerated Butter or Margarine
3 quarts/litres	1 tbsp. (15 ml)	1/3 cup (85 ml)	1 (15 ml)*
6 quarts/litres	2 tbsp. (30 ml)	2/3 cup (170 ml)	2 (30 ml)*

*Divided in 6 pieces

CARE AND CLEANING

1. Allow the Corn Popper to cool.
2. Wash the Cover and Plastic Cap in hot soapy water. Rinse and dry. Do not use scouring pads or abrasive powder on the cover as these could scratch the plastic.
3. Remove the Stirring Rod from the Base by turning the Center Knob counter clockwise and lifting up the Stirring Rod near the center of the Rod. Wash the Stirring Rod and Knob in hot soapy water. Rinse and dry thoroughly. NOTE: Be careful not to bend the Stirring Rod. Only remove or replace the Stirring Rod at the center of the Rod. DO NOT pull on the ends of the Rod.
4. Clean the non-stick surface of the base with a damp soapy cloth, sponge or nylon scouring pad that is safe for non-stick surfaces. Do not use abrasive scouring pads or powders. NOTE: Do not let water or any liquid accumulate on the Popping Surface as it will enter the base of the unit under the Center Knob and damage the Corn Popper.
5. After consistent use, the non-stick finish may discolour. This will not affect the performance of the Popcorn Maker. To remove the discolouration use a soft cloth saturated with lemon juice or vinegar and rub over the finish. Wipe with a clean damp cloth and dry.

NOTE: Do not place the Cover, Plastic Cap, Stirring Rod, Base or Cord in the dishwasher.

A short supply cord is provided to reduce the hazards of becoming entangled in or tripping over a long cord. Extension cords may be used if care is exercised in their use. If an extension cord is used, the marked electrical rating of the detachable power-supply cord or extension cord should be at least as great as the electrical rating of the appliance. If the appliance is of the grounded type, the extension cord should be a grounded 3-wire cord. The extension cord should be arranged so that it will not drape over the counter top or table top, where it can be pulled on by children or tripped over.

LIMITED WARRANTY

Salton Canada warrants that this appliance shall be free from defects in material and workmanship for a period of one year from the date of purchase. During this 'in-warranty' period, defective products will be repaired or replaced at the discretion of the retailer and/or Salton Canada. This warranty covers normal domestic usage and does not cover damage which occurs in shipment or failure which results from alteration, accident, misuse, abuse, glass breakage, neglect, commercial use or improper maintenance.

A defective product should be returned to the original place of purchase within the retailer's stipulated return/exchange period*. If you are unable to have a defective product replaced under warranty by the retailer, please check our website at "www.salton.com" for the service centre nearest you. You may also contact us for assistance by mail, e-mail, fax or telephone as listed below.

To ensure prompt 'in-warranty' service securely package and return the product to us prepaid. Be sure to include the original proof of purchase and a description of the defect along with your address and postal code.

For repairs not covered by the warranty, please contact us for assistance.

SALTON CANADA

Customer Service Department

81A Brunswick,

Dollard-des-Ormeaux,

Quebec, Canada H9B 2J5

website: www.salton.com

E-mail: service@salton.com

Fax: 514-685-8300

Tel: 514-685-3660 Ext. 226

* Return/exchange policies at each retailer vary and may differ from the SALTON Canada 1 year limited warranty period.

Free Manuals Download Website

<http://myh66.com>

<http://usermanuals.us>

<http://www.somanuals.com>

<http://www.4manuals.cc>

<http://www.manual-lib.com>

<http://www.404manual.com>

<http://www.luxmanual.com>

<http://aubethermostatmanual.com>

Golf course search by state

<http://golfingnear.com>

Email search by domain

<http://emailbydomain.com>

Auto manuals search

<http://auto.somanuals.com>

TV manuals search

<http://tv.somanuals.com>