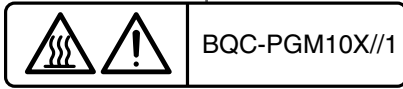
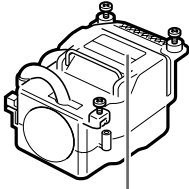


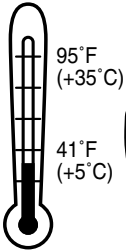
Usage Guidelines



Caution Concerning the Lamp Unit

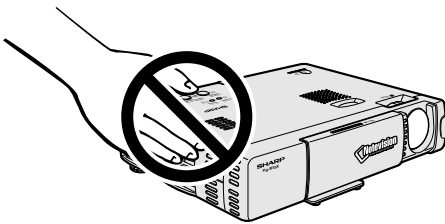
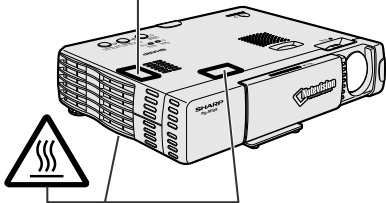
Potential hazard of glass particles if lamp has ruptured. Please have Sharp Authorized LCD Projector Dealer or Service Center replace lamp if rupture occurs.

See "Replacing the Projection Lamp" on page 37.



Cautions Concerning the Setup of the Projector

For minimal servicing and to maintain high image quality, SHARP recommends that this projector be installed in an area free from humidity, dust and cigarette smoke. If the projector is used in these environments, the lens will need to be cleaned more often, and internal cleaning may become necessary. As long as the projector is regularly cleaned, use in these environments will not reduce the overall operation life of the unit. Internal cleaning should only be performed by a Sharp Authorized LCD Projector Dealer or Service Center.



Notes on Operation

- The three marks shown on the left are caution labels for parts of the projector that emit intense heat during operation.
- The cooling fan (exhaust vent), the lamp cage cover and adjacent areas may be extremely hot during projector operation. To prevent injury, do not touch these areas until they have sufficiently cooled.
- Allow at least 10 cm (3 ¹⁵/₁₆ inches) of space between the cooling fan (exhaust vents) and the nearest wall or obstruction.
- If the cooling fan becomes obstructed, a protection device will automatically turn off the projector lamp. This does not indicate a malfunction. Remove the projector power cord from the wall outlet and wait until the projector has sufficiently cooled. Then turn on the power by plugging the power cord back in. This will return the projector to the normal operating condition.

For SHARP Assistance (U.S.A. only)

If you encounter any problems during setup or operation of this projector, first refer to the "Troubleshooting" section on page 35. If this operation manual does not answer your question, please call toll free 1-888-GO-SHARP (1-888-467-4277) for further assistance. Or, send us an e-mail at lcdsupport@sharplcd.com.

Our World Wide Web address is <http://www.sharp-usa.com/>.



Congratulations On Your Purchase Of The PG-M10X/PG-M10S Digital Multimedia Projector

The PG-M10X/PG-M10S is one of the smallest data projectors available today. Although small in size, the unit allows you to project precise images up to 200 inches (measured diagonally) from your PC or Macintosh desktop or notebook computer, VCR, document camera, laser disc player, DVD player, etc.

The unit can be operated from a standard table top or inverted and operated from a tall platform. The unit can also be used to project images from behind the screen.

Main Features You'll Enjoy

- **Compatible with following various color systems:**

- NTSC (U.S. and Canada standard)
- NTSC4.43 (Middle East standard)
- PAL (Western Europe standard)
- PAL-M (Brazil standard)
- PAL-N (Argentina standard)
- PAL (60 Hz)
- SECAM (France and Eastern Europe standard)

- **(PG-M10X)**

Small size, and weighing only about 1.4 kg (3.1 lbs.)

- **(PG-M10S)**

Small size, and weighing only about 1.4 kg (3.1 lbs.)

Using Digital Micromirror Device™ (DMD™) by Texas Instruments we have developed an efficient design to improve light output efficiency. With this improvement, we can better reproduce the three basic colors (RGB) required for color reproduction on a single DMD. This results in superior brightness, smaller size and lighter weight.

NOTE 

Appropriate legal disclaimers should be added to indicate registered trade names and registered business names.

- **Sharp, clear images**

There is no RGB color separation, and the spaces between the individual pixels are not noticeable. That means sharp and clear reproduction of small characters and figures. Take a closer look and notice the difference in quality!

- **Outstanding sharp, clear, 3D like images with vivid colors when reproducing DVD video and other high picture-quality data/video sources**

Accurate gray scale reproduction makes for more natural image displays. DVD and other high quality image sources bring out the true image display quality of the unit.

- **Screen not distorted to a trapezoid (keystoning) when projecting to the height of the line of vision**

Because the projection position is already set to the height of the line of vision, there is no keystoning effect. Even when projecting above or under the height of the line of vision, image distortion (if any) can be adjusted using the keystone correction function.

- **(PG-M10X)**

Fully compatible with true XGA; support for SXGA using advanced intelligent compression technology

The advanced intelligent compression technology enables these projectors to present clear compression SXGA images without any line omission.

- **(PG-M10S)**

Fully compatible with true SVGA; support for XGA using advanced intelligent compression technology

The advanced intelligent compression technology enables it to present clear compression XGA images without any line omission.

- **A remote control that can operate the PC**

The supplied remote control both operates the unit and acts as a wireless mouse control to operate the PC connected to the unit. The wireless mouse control is available when the unit is connected to USB or PS/2 port of the personal computer.

- **The compact and easy to carry cabinet with its contemporary design compliments any office, boardroom, or auditorium.**

Supplied Accessories

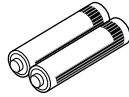
Make sure your box contains everything listed below. If any pieces are missing, contact your dealer. Please save the original box and packing materials in case you need to ship the unit.

For remote control

Remote control

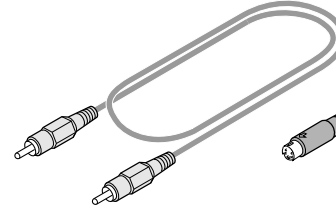


Batteries (size AAA/R03)

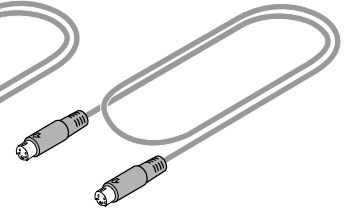


For video equipment connection

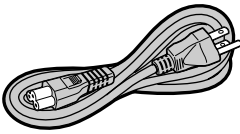
Video cable



S-video cable



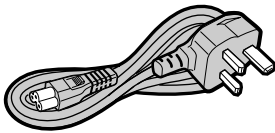
Power cord



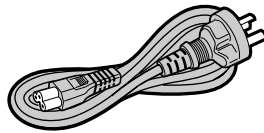
(1) For Americas



(2) For Europe, except U.K.



(3) For U.K., Hong Kong and Singapore



(4) For Australia, New Zealand and Oceania

NOTE

For Americas Customers: (1)

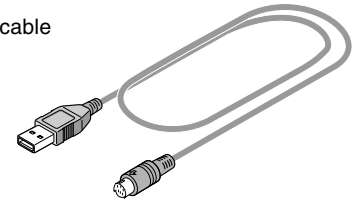
The projector includes one AC power cord suitable for Americas.

For Customers other than Americas: (2),(3),(4)

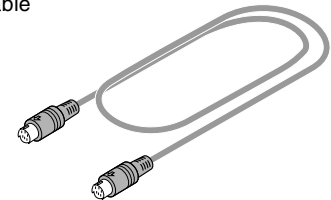
The projector includes three AC power cords suitable for countries other than Americas. Use the AC power cord that corresponds to the wall outlet in your country.

When using the remote control as computer mouse

USB mouse control cable



PS/2 mouse control cable

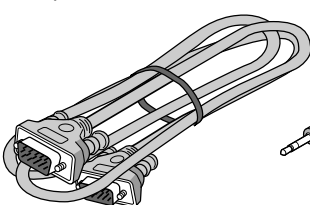


Soft pouch

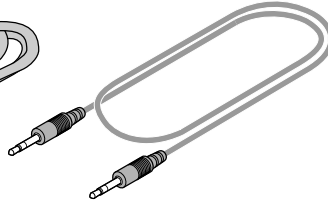


For computer connection

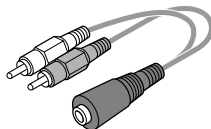
Computer RGB cable



Audio cable



Audio adaptor (mini-jack pin conversion)



Carrying bag



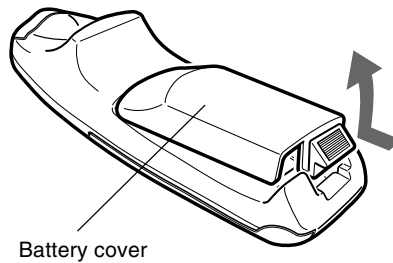
- Projector Operation Manual
- Projector Quick Reference Guide

Preparing the Remote Control

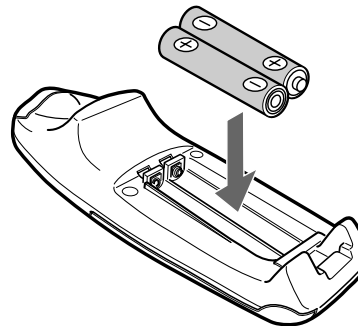


Inserting the batteries

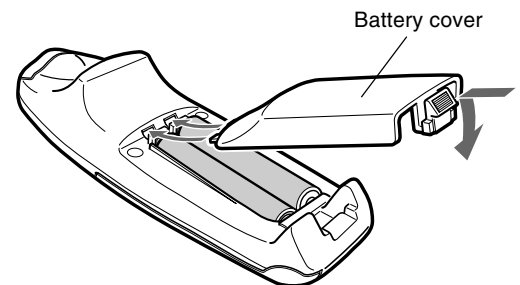
- 1 Press firmly and slide the battery cover off.



- 2 Insert the two supplied batteries (size AAA/R03). Ensure that the polarities (+ and -) of the batteries are aligned correctly.



- 3 Slide the battery cover back until it snaps into place.



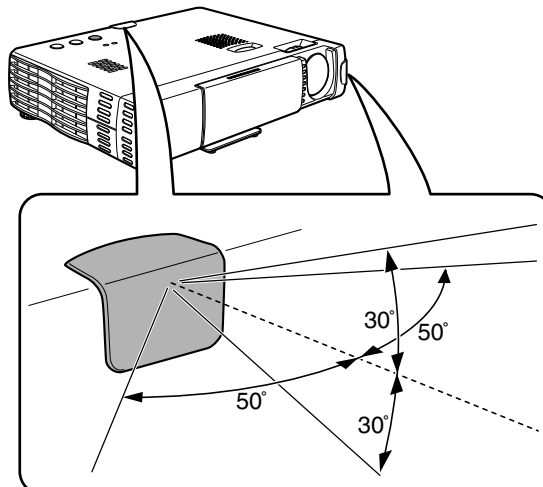
NOTE

- If the remote control gets wet, wipe it dry immediately.
- Avoid excessive heat and humidity.
- If you will not be using the remote control for a long time, remove the batteries.
- Do not mix new and old or different types of batteries.
- There are operations that can only be carried out by remote control. Handle the remote control carefully.

Remote control effective range

The remote control sensors are located on the front and back of the unit.

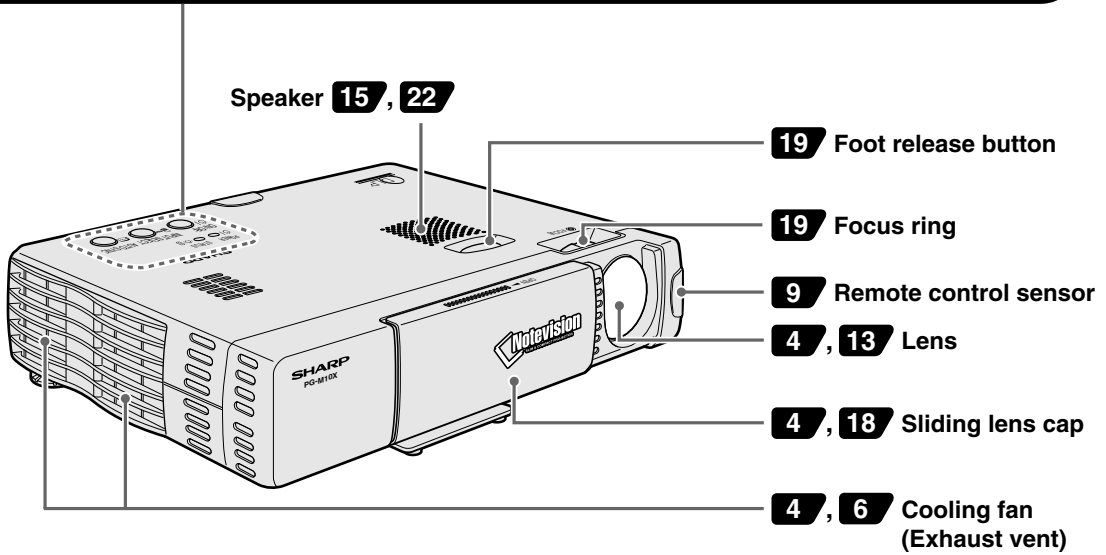
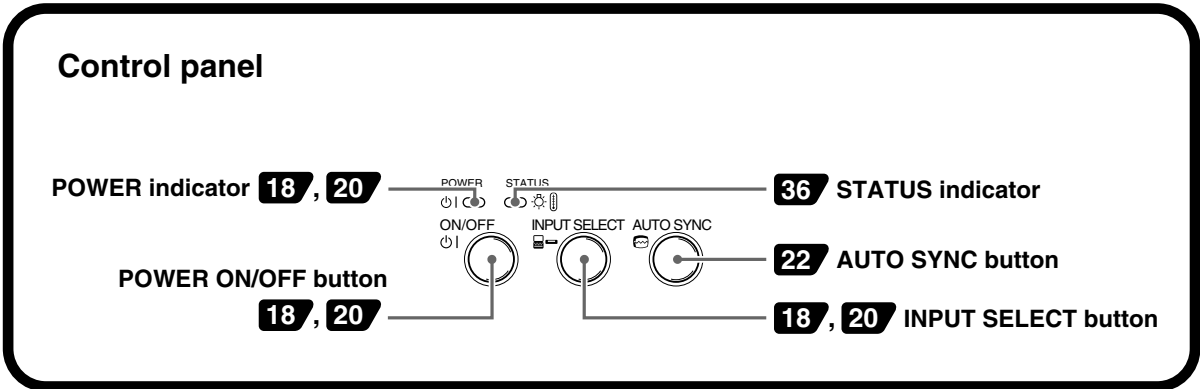
The controllable range is 50 degrees horizontally and 30 degrees vertically relative to a line that is at a right angle to the remote control sensor. The working distance between the remote control and the unit's remote control sensor is limited to 4 meters (157 1/2").



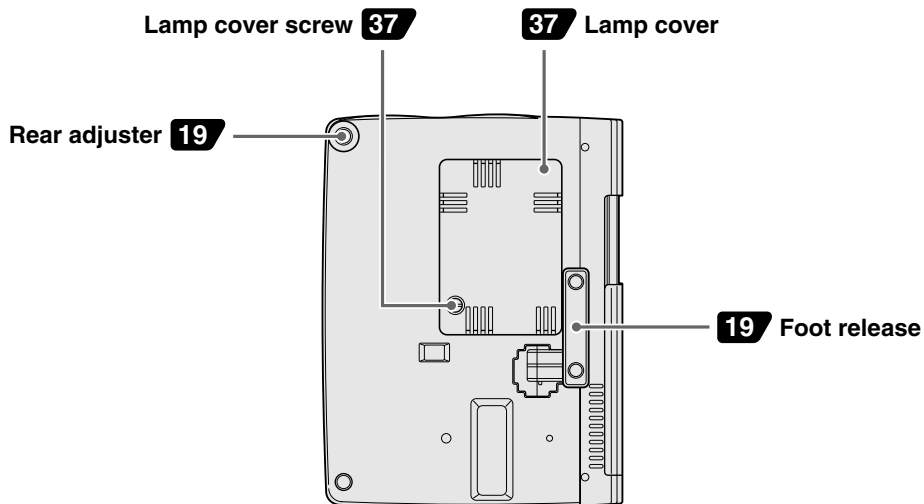
Part Names

Numbers next to the part names refer to the main pages in this manual where the topic is explained.

Top, front side panel view

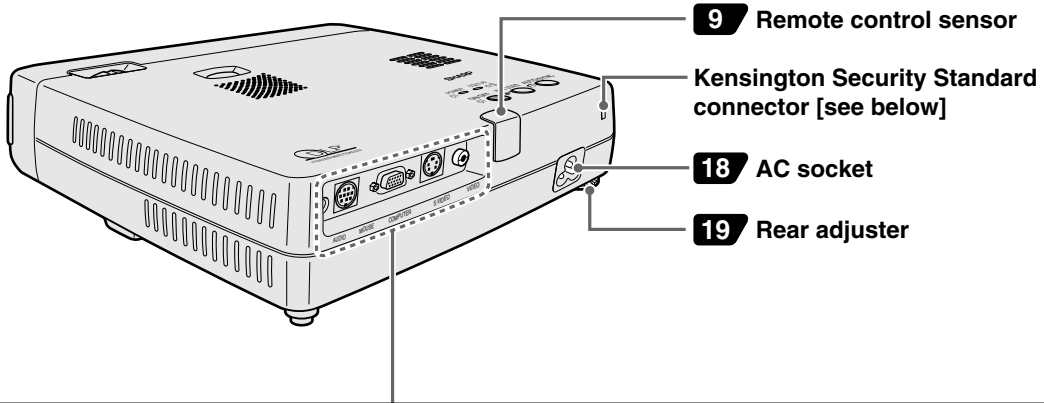


Bottom

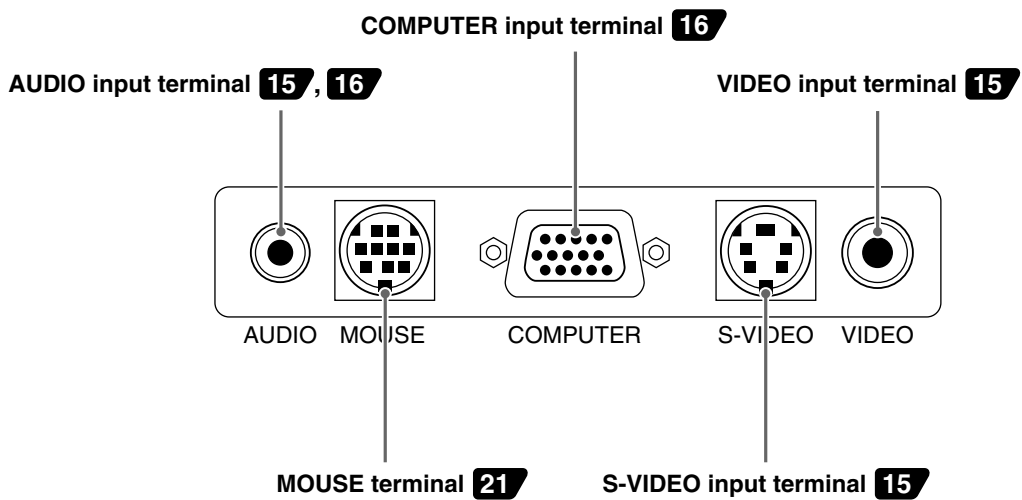




Rear and side panel view




Terminal Panel



Kensington Lock



This projector has a Kensington Security Standard connector for use with a Kensington MicroSaver Security System. The logo  is trademarked and owned by Kensington Microwave Inc. Refer to the information that came with the system for instructions on how to use it to secure the projector.

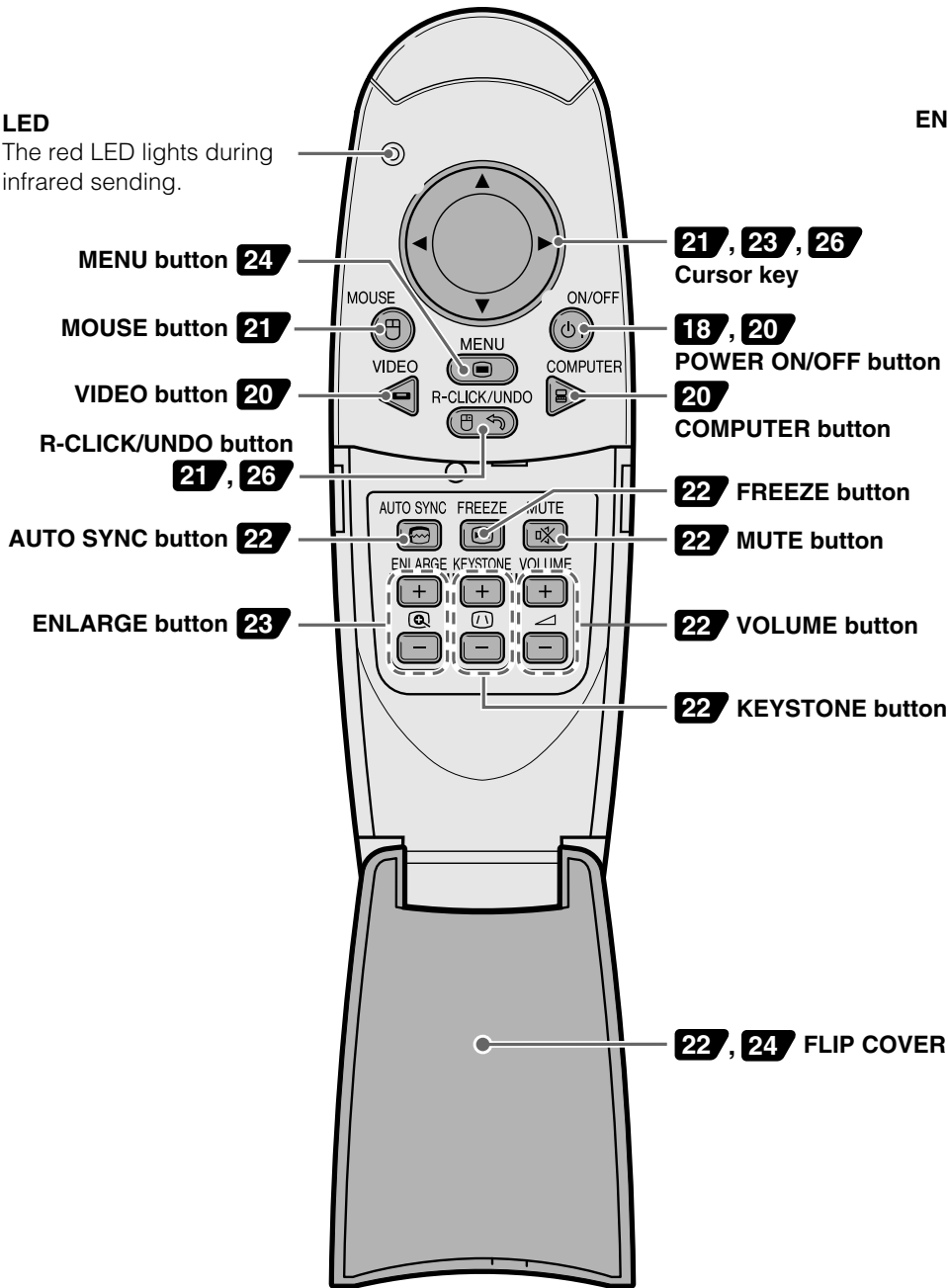


Remote Control

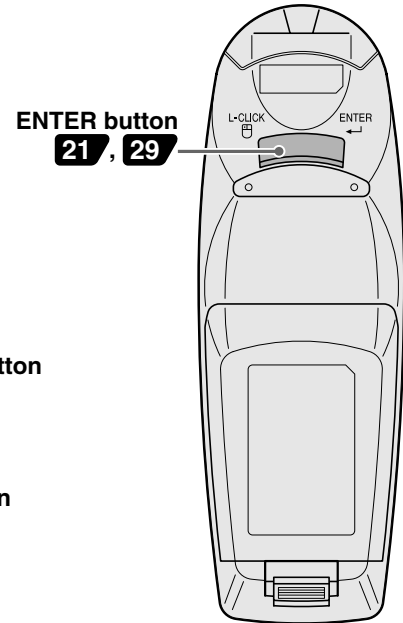
Front View

LED

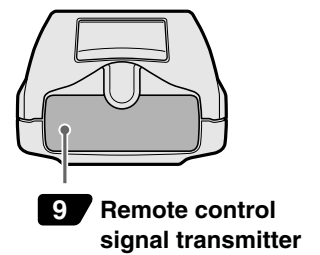
The red LED lights during infrared sending.



Rear View



Top View



The distance from the unit lens to the screen determines the size of the projected image. Therefore, you need to consider the unit placement in relationship to the screen prior to making the electrical and signal connections. Appropriate screen size and height are directly related to the unit's position and need to be evaluated.

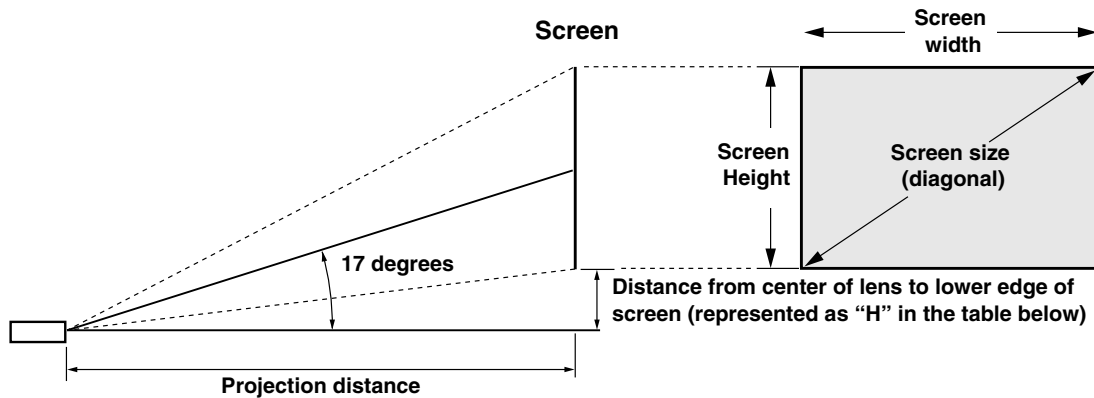
Tip

A non-glossy wall may be used as a substitute for a screen.

Positioning the unit

The projected image becomes larger as the distance between the unit and screen increases. The minimum image size is about 36 inches diagonally at a distance of about 1.2 m (approx. 47¹/₄ inches) and the maximum size is approx. 200 inches at a distance of 6.8 m (approx. 267¹¹/₁₆ inches) from the screen. Use the following information when you fix the position of the unit.

Projecting distance and image size

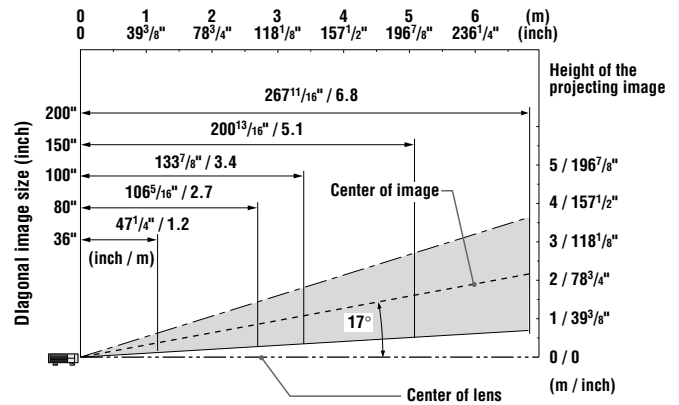
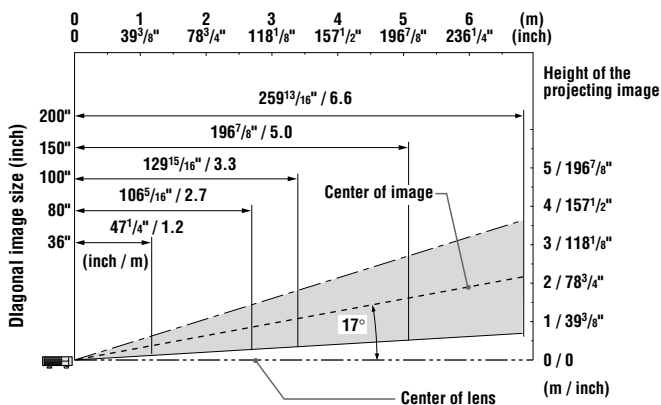


PG-M10X

Screen size	Projection distance	Dimension (H)
inches	inch / m	inch / cm
36	47 ¹ / ₄ " / 1.2	3 ¹¹ / ₁₆ " / 9.4
40	51 ³ / ₈ " / 1.3	4 ¹ / ₈ " / 10.5
60	78 ³ / ₄ " / 2.0	6 ³ / ₁₆ " / 15.7
80	106 ⁵ / ₁₆ " / 2.7	8 ¹ / ₄ " / 20.9
100	129 ¹⁵ / ₁₆ " / 3.3	10 ⁵ / ₁₆ " / 26.2
120	154 ¹ / ₂ " / 4.0	12 ³ / ₈ " / 31.4
150	196 ⁷ / ₈ " / 5.0	15 ⁷ / ₁₆ " / 39.3
180	236 ¹ / ₄ " / 6.0	18 ⁹ / ₁₆ " / 47.1
200	259 ¹³ / ₁₆ " / 6.6	20 ⁵ / ₈ " / 52.4

PG-M10S

Screen size	Projection distance	Dimension (H)
inches	inch / m	inch / cm
36	47 ¹ / ₄ " / 1.2	3 ¹¹ / ₁₆ " / 9.4
40	55 ¹ / ₈ " / 1.4	4 ¹ / ₈ " / 10.5
60	82 ¹¹ / ₁₆ " / 2.1	6 ³ / ₁₆ " / 15.7
80	106 ⁵ / ₁₆ " / 2.7	8 ¹ / ₄ " / 20.9
100	133 ⁷ / ₈ " / 3.4	10 ⁵ / ₁₆ " / 26.2
120	161 ⁷ / ₁₆ " / 4.1	12 ³ / ₈ " / 31.4
150	200 ¹³ / ₁₆ " / 5.1	15 ⁷ / ₁₆ " / 39.3
180	244 ¹ / ₈ " / 6.2	18 ⁹ / ₁₆ " / 47.1
200	267 ¹¹ / ₁₆ " / 6.8	20 ⁵ / ₈ " / 52.4

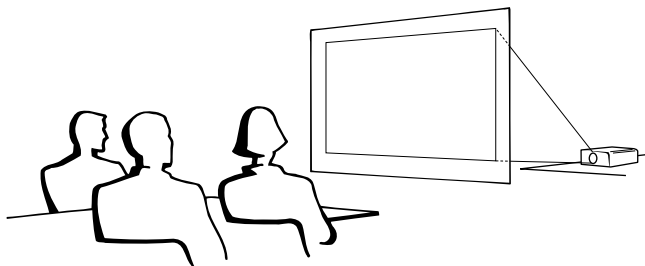




Reversed Image Setup

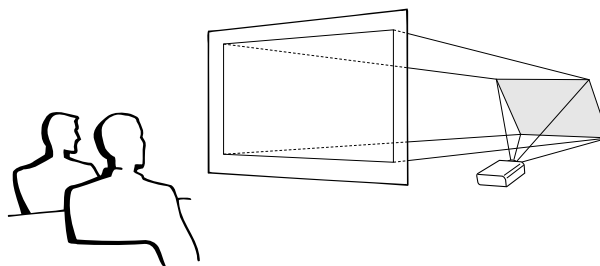
Rear projection

- Place a translucent screen between the unit and the audience.
- Use the unit's menu system to reverse the projected image. (See page 33)



Projection using a mirror

- Place a mirror (normal flat type) in front of the lens.
- Use the unit's menu system to reverse the projected image. (See page 33)
- The image reflected from the mirror is projected onto the screen.



NOTE

Optimal image quality is produced with the unit positioned perpendicular to the screen with all feet flat and level.

CAUTION

When using a mirror, be sure to carefully position both the unit and the mirror so the light does not shine into the eyes of the audience.



Free Manuals Download Website

<http://myh66.com>

<http://usermanuals.us>

<http://www.somanuals.com>

<http://www.4manuals.cc>

<http://www.manual-lib.com>

<http://www.404manual.com>

<http://www.luxmanual.com>

<http://aubethermostatmanual.com>

Golf course search by state

<http://golfingnear.com>

Email search by domain

<http://emailbydomain.com>

Auto manuals search

<http://auto.somanuals.com>

TV manuals search

<http://tv.somanuals.com>