



# *Logic Hotbox & Convector Fire*

With upgradable control valve

## **Instructions for Use, Installation and Servicing**

**For use in GB, IE (Great Britain and Eire)**

This appliance has been certified for use in countries other than those stated. To install this appliance in these countries, it is essential to obtain the translated instructions and in some cases the appliance will require modification. Contact Gazco for further information.

### **IMPORTANT**

**The chimney must be swept before installation. Do not attempt to burn rubbish on this fire. This fire has a naked flame. A suitable guard should be used for the protection of young children, the elderly or infirm.**

**This appliance is intended for decorative purposes only.**

**Please read these instructions carefully and keep them in a safe place.**

**They will be needed when servicing the fire.**

**The commissioning sheet on page 3 MUST be completed by the Installer.**

## Covering the following models

Hotbox	Convactor
8306PBUC	8308PBUC
P80306PBUC	P8308PBUC
8306MCUC	8308MCUC
P8306MCUC	P8308MCUC

# CONTENTS

	PAGE
<b>APPLIANCE COMMISSIONING CHECKLIST</b>	<b>3</b>
<b>USER INSTRUCTIONS</b>	<b>4</b>
<b>INSTALLATION INSTRUCTIONS</b>	<b>8</b>
Technical Specifications	8
Site Requirements	10
Installation	12
Commissioning	17
<b>SERVICING INSTRUCTIONS</b>	<b>18</b>
Servicing Requirements	18
Fault Finding	19
How to replace parts	21
Basic spare parts list	23
Service Records	24

# APPLIANCE COMMISSIONING CHECKLIST

## IMPORTANT NOTICE

Explain the operation of the appliance to the end user, hand the completed instructions to them for safe keeping, as the information will be required when making any guaranteed claims.

FLUE CHECK	PASS	FAIL
1. Flue is correct for appliance		
2. Flue flow test		
3. Spillage test		
GAS CHECK		
1. Gas soundness & let by test		
2. Standing pressure test	mb	
3. Appliance working pressure (on High Setting) NB All other gas appliances must be operating on full	mb	
4. Gas rate	m <sup>3</sup> /h	
5. Does ventilation meet appliance requirements		
6. Have controls been upgraded (Upgradeable models only)	8455 Standard	YES NO

## DEALER AND INSTALLER INFORMATION

Dealer .....

.....

.....

Contact No.....

Date of Purchase.....

Model No.....

Serial No.....

Gas Type .....

Installation Company .....

.....

.....

Engineer .....

Contact No.....

Corgi Reg No.....

Date of Installation .....

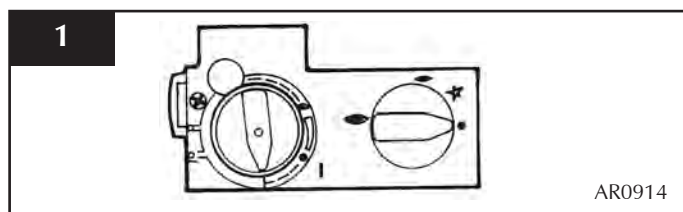
# USER INSTRUCTIONS

## 1. GENERAL

- 1.1 Installation and servicing must only be carried out by a competent person.
- 1.2 In all correspondence, please quote the appliance type and serial number, which can be found on the data badge adjacent to the control knob.
- 1.3 Ensure that curtains are not positioned above the fire, and that there is a 300mm minimum clearance between the sides of the fire and any curtains.
- 1.4 This product is guaranteed for 12 months from the date of installation, as set out in the terms and conditions of sale between Gazco and your local Gazco dealer. Please consult with your local Gazco dealer if you have any questions. In all correspondence always quote the Model Number and Serial Number.
- 1.5 Parts of this appliance become hot during normal use. It is therefore recommended that a suitable fire guard be used for protection of young children and the infirm.

## 2. LIGHTING THE FIRE

- 2.1 Locate the control valve on the appliance. There are two control knobs on the valve, the right hand knob controls the pilot ignition and the left hand knob controls the main burner.
- 2.2 If your appliance has already been upgraded to battery remote control, please refer to the instructions provided with the upgrade to operate the remote control. The following instructions will work for either situation.



- 2.3 Ensure that the left-hand control knob is pointing to off ●.
- 2.4 Ensure that the right hand control knob is pointing to off ●.
- 2.5 Press in the right hand control knob and rotate it anti-clockwise until a click is heard (keep pressing in) and the knob is pointing to pilot (●). The pilot should now light. If the pilot has not lit, repeat the procedure until it does.
- 2.6 Keep the control knob pressed for 10 seconds and then release it, the pilot should stay alight. If the pilot goes out, repeat the procedures until it does.
- 2.7 If the pilot will not light after repeated attempts, contact the retailer or installer from whom the appliance was purchased.

- 2.8 Turn the right hand control to point to main burner (↔). The appliance can now be controlled using the left hand control knob.
- 2.9 Turn the left hand control knob to point to low fire (↔), the main burner will light on low. The burner can now be controlled between low and high settings. Turn the control knob anti clockwise increase the flame height and clockwise to decrease the flame height.

**THE YELLOW FLAMES WILL APPEAR WHEN THE FIRE HAS GAINED SUFFICIENT HEAT - TYPICALLY 10 TO 20 MINUTES.**

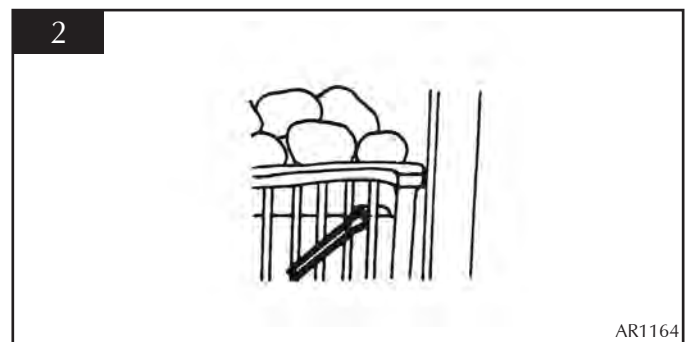
## 3. TURNING THE FIRE OFF

- 3.1 To turn the fire off, locate the control valve, turn the left-hand control knob until it points to off (●). The main burner will go out leaving the pilot burning.
- 3.2 To turn the pilot off, locate the control valve, turn the right hand control knob until it points to off (●), the pilot will go out.

## 4. LIGHTING THE FIRE WITH A MATCH

If the pilot does not ignite as described in Section 2, please consult your GAZCO dealer to rectify the problem. However, the appliance may be lit as a temporary measure using the following procedure:

- 4.1 Press in the right hand control knob and rotate it anti-clockwise until a click is heard (keep pressing in) and the knob is pointing to pilot (●), apply a lighted match to the pilot hood, see diagram 2.



- 4.2 When the pilot is alight, extinguish the match and continue to depress for 5 to 10 seconds.
- 4.3 The fire may now be controlled as previously described.

## 5. UPGRADING YOUR FIRE

- 5.1 Your fire is fitted with a control valve that can easily be upgraded to battery powered remote control. This upgrade

# USER INSTRUCTIONS

can be fitted by anyone capable of simple DIY jobs and requires no special training. This upgrade can be obtained through your local Gazco stockist.

- 5.2 STANDARD REMOTE CONTROL This remote control can control the fire after the pilot has been lit. It can turn the main burner on and regulate it from low through to high and back again. It can turn the main burner off leaving the pilot burning GAZCO PART NUMBER 8455.

## 6. CLEANING THE FIRE

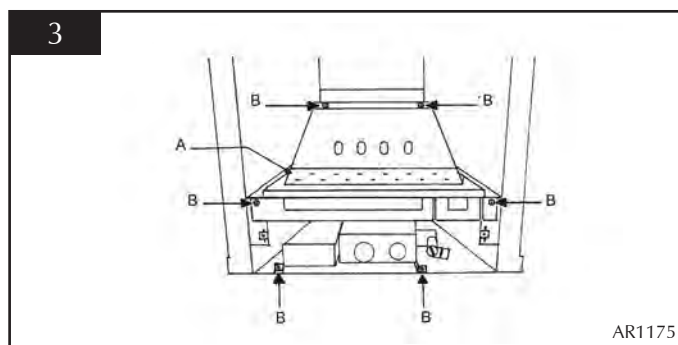
- 6.1 Remove the ceramic coals or pebbles and place on a dry, clean surface. Remove the fuel bed and the burner cover gasket.
- 6.2 Clean the burner and tray assembly using a vacuum cleaner with soft brush attachment, ensure all debris is removed from the burner ports.
- 6.3 Replace the ceramics by referring to section 7.

## 7. ARRANGEMENT OF FUEL BED COMPONENTS

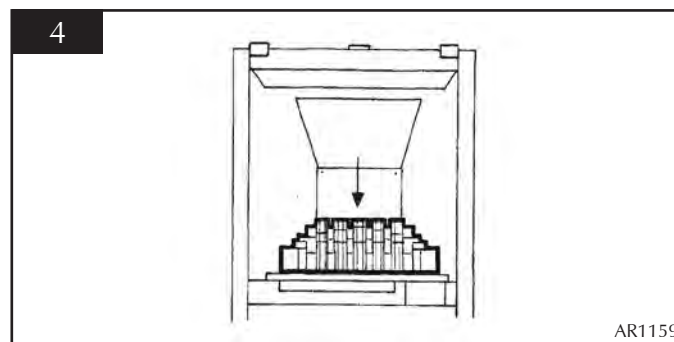
**NOTE: CERAMIC PARTS ARE FRAGILE. THE SIDE AND REAR PANELS ARE REVERSIBLE. ONE SIDE IS PLAIN, THE OTHER SIDE IS REEDED. ASK THE CUSTOMER WHICH SIDE IS PREFERRED AT THIS STAGE.**

**ONLY USE THE CORRECT TYPE AND QUANTITY OF CERAMIC COMPONENTS. POINTS 7.1 TO 7.5 ARE COMMON TO ALL FUEL TYPES AND LAYOUTS.**

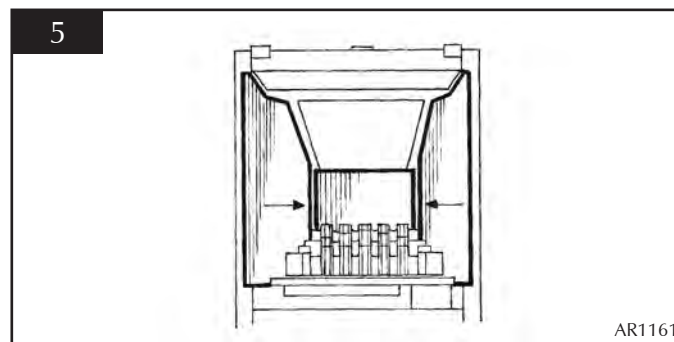
- 7.1 Position the burner cover gasket on the burner skin ensuring the holes align with the ports. Take care as the front left-hand hole is offset compared to the others. See diagram 3, arrow A.



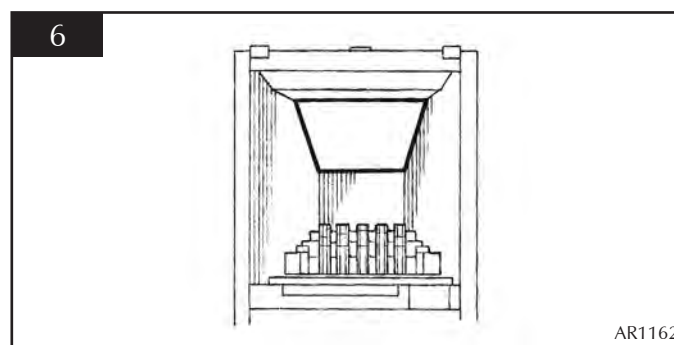
- 7.2 Position the flame baffle centrally on the tray and ensure the stepped lower edge engages against the rear edge of the burner skin. See diagram 4.



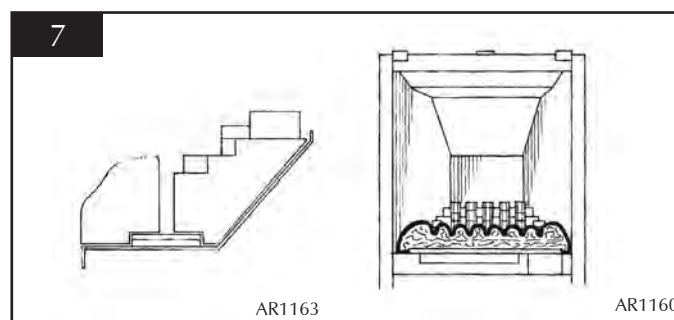
- 7.3 Place the rear panel against the rear of the box and slide the side panels on either side of the flame baffle. Ensure they locate in the brackets at the top of the firebox. DO NOT SLIDE THEM ALL THE WAY BACK. See diagram 5.



- 7.4 Locate the top panel on top of the rear and side panels. Finally push the sides fully towards the rear panel. This will retain the top panel. See diagram 6.



- 7.5 Place the front coal centrally in the channel at the front of the tray. See diagram 7. The relationship between the front coal and flame baffle is shown in diagram 7.



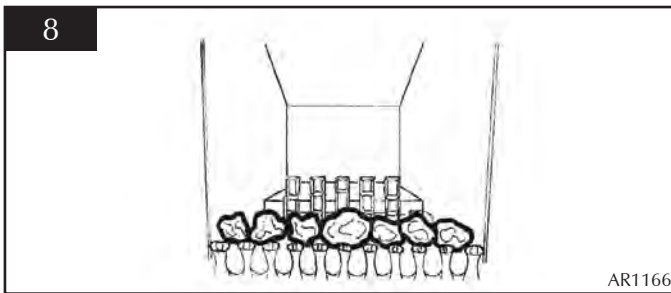
# USER INSTRUCTIONS

## COAL LAYOUT

**NOTE: THERE ARE TWO LARGE COALS IN A SEPARATE BAG INSIDE THE MAIN BAG FOR USE WITH A CURVED FRONT (SUCH AS THE HOLYROOD AND RICHMOND) AND NOT FOR A FLAT FRONTED FRAME.**

### A) FRONT ROW COAL LAYOUT USING FLAT FIRE FRONTS

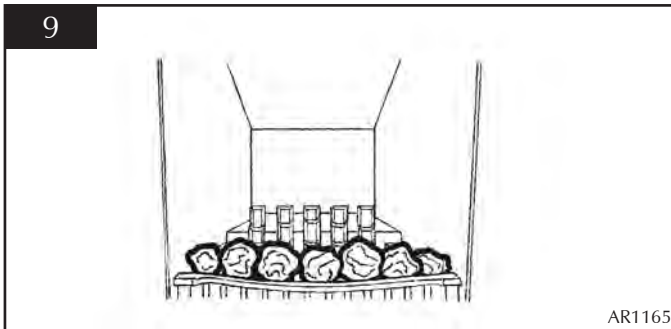
- 7.6 This first row marks the only difference in coal layout between the flat fronts and curved fronts. Place one large coal centrally on the front coal resting against the frame. Then place three small coals either side. See diagram 8.



AR1166

### B) FRONT ROW COAL LAYOUT USING CURVED FIRE FRONTS

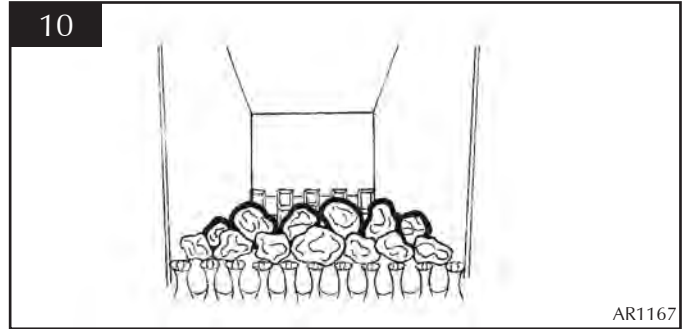
- 7.7 Place three large coals resting on top of the front coal and against the front of the frame, then place two small coals either side of the large ones. See diagram 9



AR1165

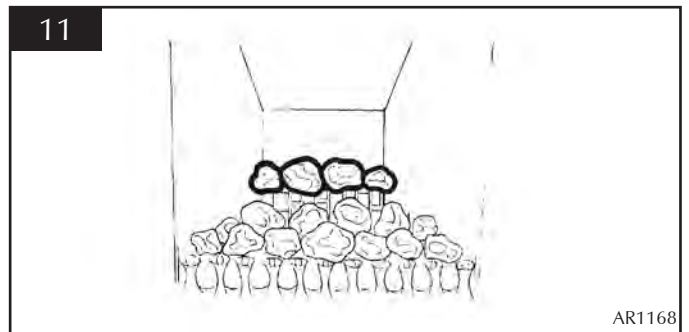
### C) COAL LAYOUT CONTINUED FROM FRONT ROW

- 7.8 Place four large coals behind the first row and one small coal either end resting up against the side panels. See diagram 10



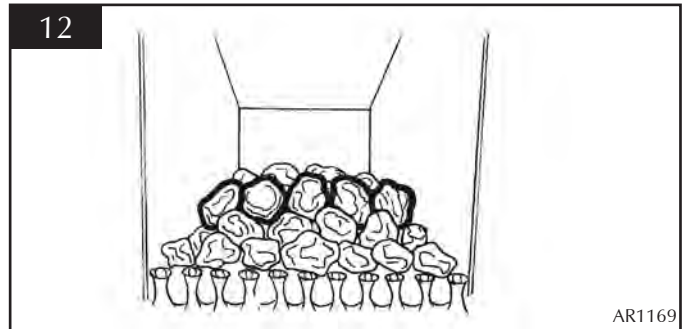
AR1167

- 7.9 Place one small coal either side on top of the flame baffle in each rear corner. Then place two large coals in between the two small coals. These coals should touch the rear panel. See diagram 11.



AR1168

- 7.10 Finally place five large coals between the second and rear row of coals. See diagram 12.



AR1169

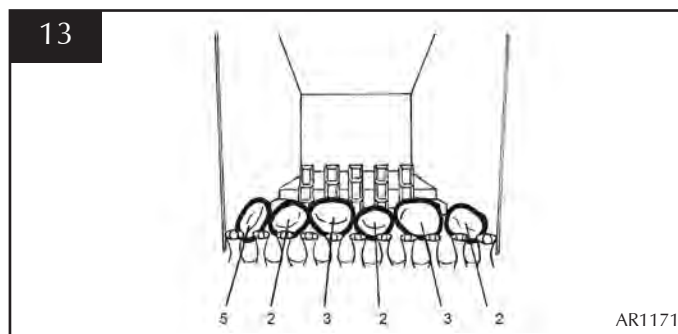
- 7.11 It is essential that gaps are left between the coals to maximise the performance of the appliance.

## PEBBLE LAYOUT - CURVED AND FLAT FRONTS

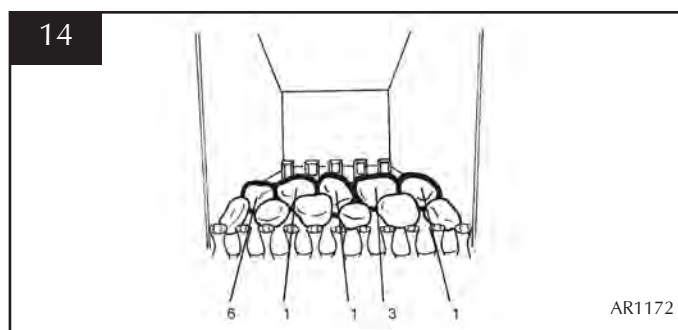
- 7.12 **ALL THE PEBBLES HAVE AN ID NUMBERS ON THE UNDERSIDE. ENSURE THE PEBBLES ARE PLACED ONLY IN THEIR CORRECT POSITIONS.**

- 7.13 Place the first row of pebbles on top of the front coal resting against the frame front. All the numbers must be placed face down so they cannot be seen. See diagram 13.

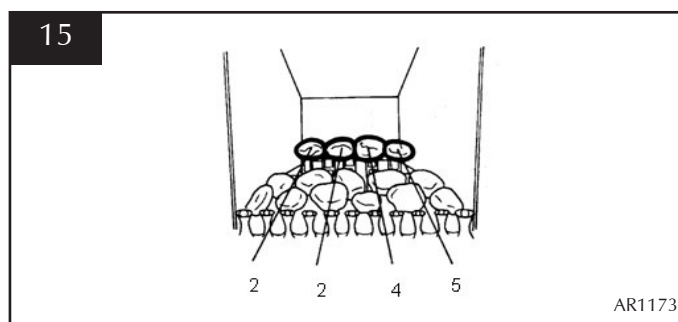
# USER INSTRUCTIONS



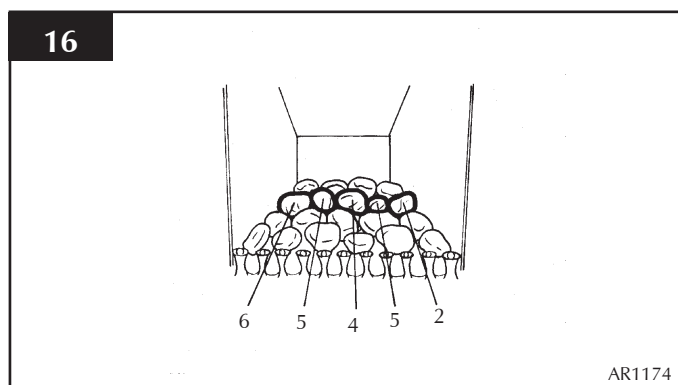
7.14 Working from the outer edges, place the second row of pebbles against the rear of the first row. Note the orientation of each pebble, as this is important to the performance of the fire. See diagram 14.



7.15 Place the rear row of pebbles on top of the flame baffle, these must touch the rear panel. See diagram 15.



7.16 Place the remaining five pebbles between the second and rear rows. See diagram 16.



## 8. OXYGEN DEPLETION SENSOR

- 8.1 The appliance is fitted with an oxygen sensitive pilot system which acts to cut off the gas supply to the fire should the oxygen in the room fall below its normal level. If the fire is turned off by this device, it usually indicates that there is a problem with the flue system, and this should be inspected by a qualified engineer. **Do not attempt to use the fire until an engineer says it is safe to do so.**

**This device is not a substitute for an independently mounted carbon monoxide detector.**

## 9. FLAME FAILURE DEVICE

- 9.1 This is a safety feature incorporated in all GAZCO fires which automatically switches off the gas supply if the pilot light goes out and fails to heat the thermocouple.

## 10. 'RUNNING IN'

- 10.1 The surface coating on the coals used in your GAZCO fire will 'burn off' during the first few hours of use, producing a harmless and temporary odour. This will disappear after a short period of use. If the odour persists, ask your installer for advice.

## 11. SERVICING

- 11.1 This fire must be serviced every 12 months by a qualified Gas Engineer. In all correspondence, always quote the appliance type and serial number, which may be found on the data badge located on a chain beneath the control valve.

## 12. VENTILATION

- 12.1 Any purpose provided ventilation should be checked periodically to ensure that it is free from obstruction.

## 13. INSTALLATION DETAILS

- 13.1 To assist in any future correspondence, your installer should have completed this commissioning sheet, this records, the essential installation details of the appliance. In all correspondence always quote the Model Number and Serial Number.

# INSTALLATION INSTRUCTIONS

## TECHNICAL SPECIFICATION

Covering the following models

<b>Hotbox</b> 8306PBUC P80306PBUC 8306MCUC P8306MCUC	<b>Convactor</b> 8308PBUC P8308PBUC 8308MCUC P8308MCUC
--	--

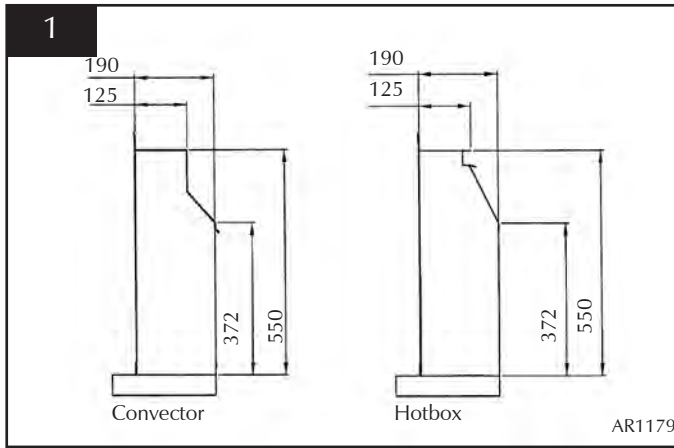
GAS CATEGORY		I <sub>2H</sub>	I <sub>3+</sub>	
		Natural	Butane	Propane
Gas Type		G20	G30	G31
Working Pressure		20mb	29mb	37mb
Gross Input kW	High	6.7	6.7	6.7
	Low	3.0	3.0	3.0
Gas Rate m <sup>3</sup> /hr	High	0.64	0.192	0.252
	Low	0.29	0.086	0.113
Nox Class		1	1	
Injector Size		400	180	
Aeration Size		6 x 15	6 x 15 Rear	
			23 x 15 Front	
Min flue size		5" diameter		
Min flue size - pre cast		90mm x 183mm (16,500mm <sup>2</sup> min)		
Min flue specification		T260 / N2 / 0 / D / 1		
Gas Inlet		8mm		
Weight (Gross)		19Kg		

APPLICABLE FRONTS		
FRONT	HOTBOX	CONVECTOR
DESIGNIO	8251MA, 8251IR, 8251GP	8251MA, 8251IR, 8251GP
EVOLUTION	8255MB, 8255BS	8257MB, 8257BS
HOLYROOD	8391	8391
	8397	8397
	8150	8150
INFINITI	8249BS	8249BS
PROGRESS	8253MA, 8253IR	8253MA, 8253IR
RICHMOND	N/A	8678
SPANISH	8382, 8385	8382, 8385
	8388, 8153	8388, 8153
VICTORIAN CONVECTOR	N/A	4262, 4263
ART NOUVEAU CONVECTOR	N/A	4264, 4265
COMBINATION CONVECTOR	N/A	4362, 4363
DIMENSION	8681MB	8681MB
ARTS FRONT	8288MB, 8288HP, 8288P, 8288PBR	8288MB, 8288HP, 8288P, 8288PBR
ARTS FRAME	8284MB, 8284PBR, 8284P, 8284BS	8284MB, 8284PBR, 8284P, 8284BS



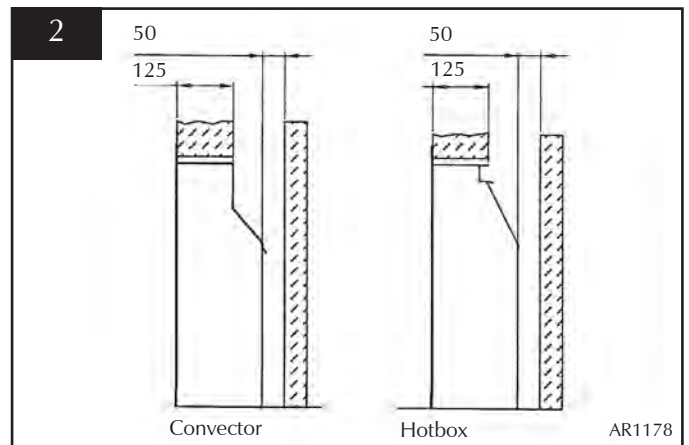
# INSTALLATION INSTRUCTIONS

## TECHNICAL SPECIFICATION

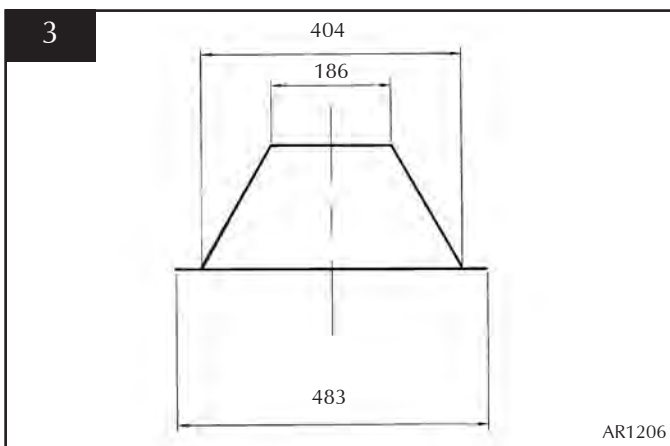


OVERALL EXTERNAL DIMENSIONS  
SIDE VIEW

MINIMUM DEBRIS COLLECTION  
SPACE REQUIREMENTS-  
(EXISTING MASONRY CHIMNEYS ONLY)



OVERALL EXTERNAL DIMENSIONS  
PLAN VIEW



# INSTALLATION INSTRUCTIONS

## SITE REQUIREMENTS

### 1. FLUE AND CHIMNEY REQUIREMENTS

- 1.1 The chimney or flue system must comply with the rules in force, and must be a minimum of 125mm (5") in diameter. Pre cast flues must conform to BS1289: 1986. The cross sectional area of the flue must be 16500 mm<sup>2</sup> with a minimum dimension of 90mm.

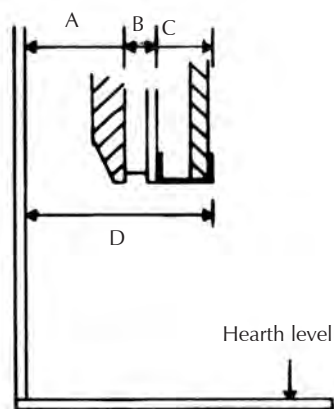
\*When fitting the appliance to a pre cast flue, the total minimum depth of fire opening necessary is (D) 215mm. This allows a 25mm space behind the appliance for debris, required on this type of flue system. This is achieved either by using = (A) a 115mm deep starter block + (B) a 25mm plasterboard and sealed space + (C) 75mm Gazco space (part number 8315) with a marble slip or similar, inserted behind the spacer front flange, see diagram 1.

Or the total depth can be achieved by using a deeper starter block, remedial building work to the front of the fireplace opening, and a marble slip or similar, or a combination of this.

**NEVER PLASTER DIRECT TO THE FACE OF A PRECAST FLUE. USE ADHESIVE TO FIX THE PLASTERBOARD TO THE FACE OF THE FLUE AND FINALLY SKIM THE PLASTERBOARD.**

1

- A = Minimum precast flue starter block depth (115mm).  
B = Plasterboard and adhesive seal all around fire opening.  
C = Gazco spacer (8315)  
D = Minimum total depth including 25mm for debris.



AR1217

When fitting the Logic Convector fire and a Stovax Cast Iron Convector fireplace to a precast letter box flue with a standard starter block, the 8315 spacer kit will be required, together with an extra deep 142mm rebate surround.

The Combination Convector breast. Fireplace requires a 75mm stud-work chimney breast.

The appliance can also be fitted into a metal flue box with a 5" (125mm) diameter flexible liner. In this installation a 1" (25mm) rebated fire surround must be used. Refer to diagram 2 for dimensions.

Class 1 flues. Chimneys over 9" x 9" must be lined.

A flue restrictor is provided with the Logic convector. This must be fitted when the flue is 9" x 9" or when the flue pull is excessive. This is fitted from inside the appliance across the outlet at the top of the convector box with two screws provided.

- 1.2 The minimum effective height of the flue or chimney must be 3 m (10ft).
- 1.3 The chimney or flue must be free from any obstruction. Any damper plates should be removed or secured in the fully open position, and no restrictor plates should be fitted.
- 1.4 The chimney should be swept immediately prior to the installation of the appliance - unless it can be seen to be clean and unobstructed throughout its entire length.
- 1.5 Ensure that there is a smooth taper transition from the fireplace opening into the chimney or flue.
- 1.6 The flue pull should be checked prior to installation of the appliance. Apply a smoke pellet to the flue or chimney opening and ensure that the smoke is drawn into the opening. If there is not a definite flow, preheat the chimney for a few minutes and re-test the flow.

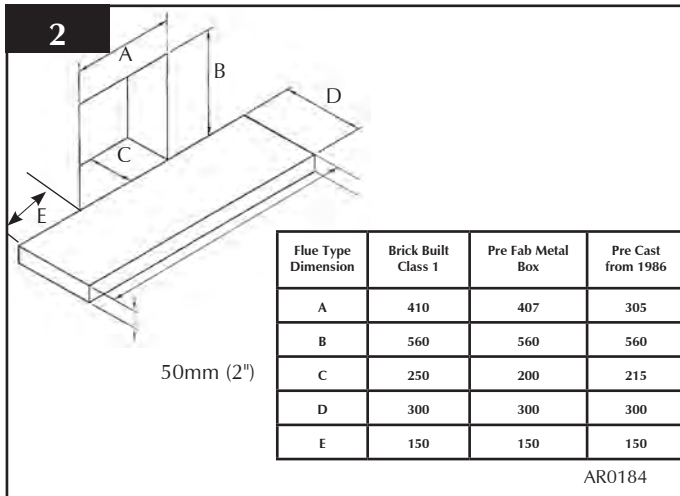
**IF THERE IS STILL NO DEFINITE FLOW, THE CHIMNEY MAY REQUIRE ATTENTION - SEEK EXPERT ADVICE.**

### 2. APPLIANCE LOCATION

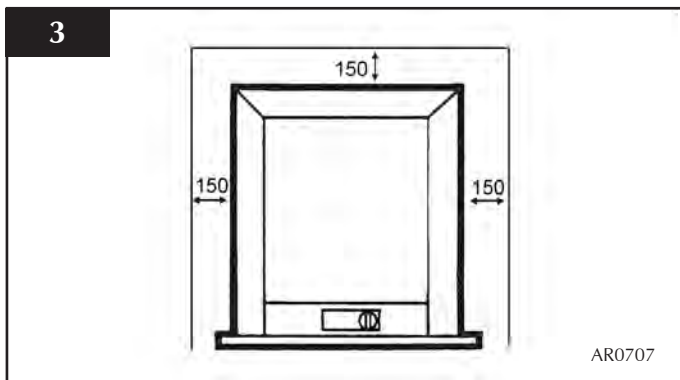
- 2.1 This appliance must stand on a non-combustible hearth that is at least 12mm thick and 50mm thick at least at the periphery.
- 2.2 It must be fitted into a non-combustible opening.
- 2.3 These appliances must be hearth mounted into a fireplace opening conforming to National Standards. The minimum dimensions shall be as shown in diagram 2.

# INSTALLATION INSTRUCTIONS

## SITE REQUIREMENTS



- 2.4 Ensure that no naked flame or incandescent part of the fire bed projects beyond the vertical plane of the fireplace opening.
- 2.5 The appliance must not be installed in any room that contains a bath or shower.
- 2.6 Ensure clearances to combustible materials - see diagram 3



### 3. GAS SUPPLY

- 3.1 Before installation, ensure that the local distribution conditions (identification of gas and pressure) and the adjustment of the appliance are compatible.
- 3.2 Ensure that the gas supply is capable of delivering the required amount of gas, and is in accordance with the rules in force.
- 3.3 This appliance is supplied complete with a factory fitted isolation device incorporated into the inlet connection, no further isolation device is therefore required.

### 4. VENTILATION

**It is important to ensure that any national ventilation requirements are taken into account during the installation of this appliance.**

- 4.1 This appliance has a nominal input not exceeding 7.0kw and therefore does not normally require any additional permanent ventilation.

If, however, spillage is detected when commissioning the appliance, there may be insufficient natural ventilation and additional ventilation may be required.

For ventilation requirements in the Republic of Ireland, it will be necessary to refer to the relevant rules in force.

**AIR VENTS MUST NOT BE RESTRICTED.**

# INSTALLATION INSTRUCTIONS

## INSTALLATION

### 1. UNPACKING

- 1.1 Remove the appliance from its packaging, and check that it is complete and undamaged.
- 1.2 Put the loose ceramic parts to one side so that they are not damaged during installation.

### 2. CONTROL UPGRADE

- 2.1 Your fire is fitted with a control valve that can be easily upgraded to battery powered remote control. This upgrade can be fitted by anyone capable of simple DIY jobs and requires no special training. This upgrade can be obtained through your local Gazco stockist.
- 2.2 **STANDARD REMOTE CONTROL** This remote control can control the fire after the pilot has been lit. It can turn the main burner on and regulate it from low through to high and back again. It can turn the main burner off leaving the pilot burning. GAZCO PART NUMBER 8455.

### 3. SAFETY PRECAUTIONS

- 3.1 This appliance must be installed in accordance with the rules in force, and used only in a sufficiently ventilated space. Please read all instructions before installation and use of this appliance.
- 3.2 These instructions must be left intact with the user.
- 3.3 Do not attempt to burn rubbish on this appliance.
- 3.4 In your own interest, and those of safety, this appliance must be installed by a competent person in accordance with local and national codes of practice. Failure to install the appliance correctly could lead to prosecution.
- 3.5 Keep all plastic bags away from young children.

### 4. INSTALLATION OF THE GAS SUPPLY

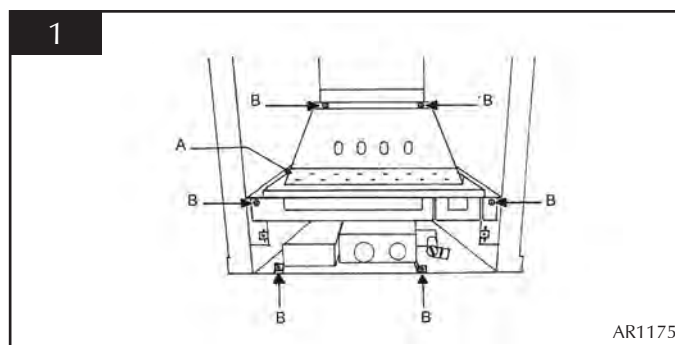
NATURAL GAS @ 20mbar		BUTANE @ 29mbar PROPANE @ 37mbar	
8306MCUC	8306PCUC	P8306MCUC	P8308MCUC
8308MCUC	8308PBUC	P8308MCUC	P8308PBUC

TO CHANGE FROM ONE GAS TYPE TO ANOTHER A COMPLETE ENGINE ASSEMBLY WILL BE REQUIRED. SEE SECTION 8 SERVICING INSTRUCTIONS.

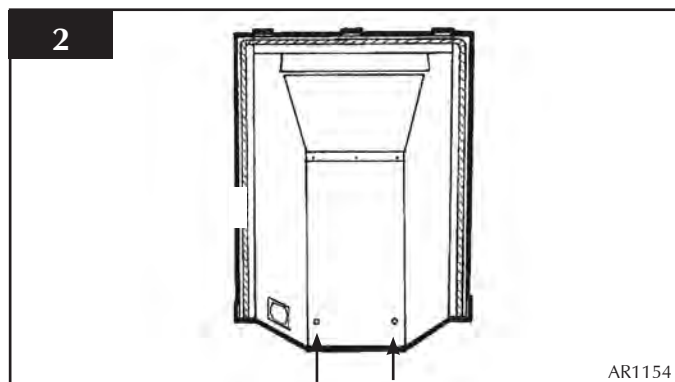
- 4.1 Before installation, ensure that the local distribution conditions (identification of the type of gas and pressure) and the adjustment of the appliance are compatible. See table above.
- 4.2 Ensure that the gas supply is capable of delivering the required amount of gas, and is in accordance with the rules in force. Please refer to the technical specification for the correct working pressure for the gas used.
- 4.3 Soft copper tubing and soft soldered joints can be used but must not be closer than 50mm (2") to the underside of the burner.
- 4.4 An isolation device is provided with the appliance.
- 4.5 All supply gas pipes must be purged of any debris that may have entered, prior to connection to the appliance.

### 5. PREPARING THE APPLIANCE

- 5.1 Remove the 6 burner retaining screws and withdraw the burner unit from its location. See diagram 1, arrows B



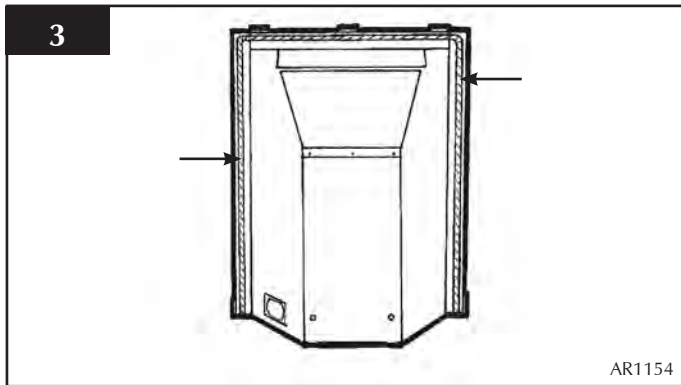
- 5.2 Decide on the retention method. If cable fixings are to be used, remove the two knockout holes on the rear of the box, using a sharp hammer blow. See diagram 2.



- 5.3 Remove the backing from the self-adhesive silicone sealing strip and apply to the rear flange of the firebox ensuring that it is positioned as close to the outer edge as is practically possible. See diagram 3.

# INSTALLATION INSTRUCTIONS

## INSTALLATION



- 5.4 Gas pipe entry must come through the right hand side of the box. The rubber seal must be cut using a sharp knife to allow the isolating elbow to pass through it. Ensure the rubber is not damaged when doing this.

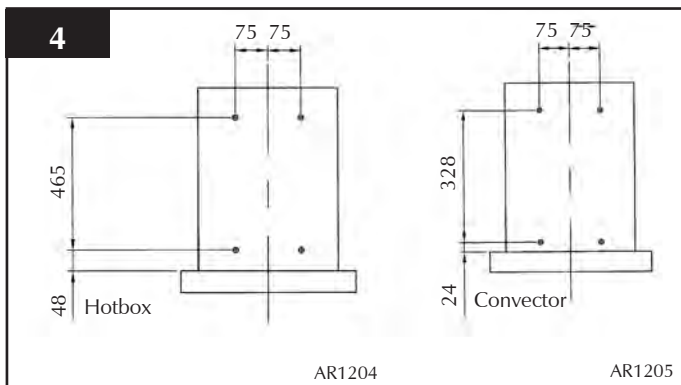
A means of isolation is provided with the appliance. This must be fitted to the supply pipe prior to installing the firebox.

### 6. INSTALLATION OF THE APPLIANCE

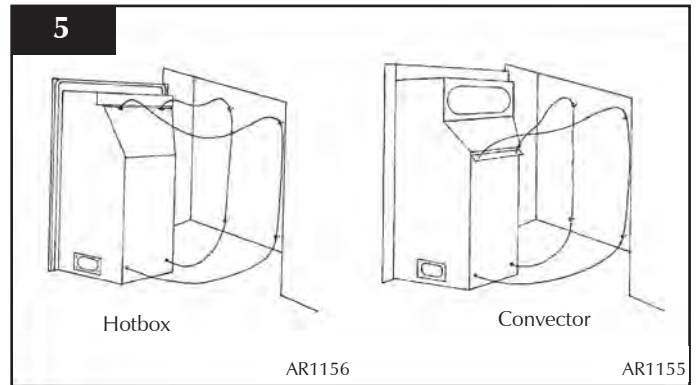
- 6.1 Ensure that the fireplace opening is in compliance with the requirements of section 2 Site Requirements then proceed as follows:

#### A) CABLE RETENTION METHOD

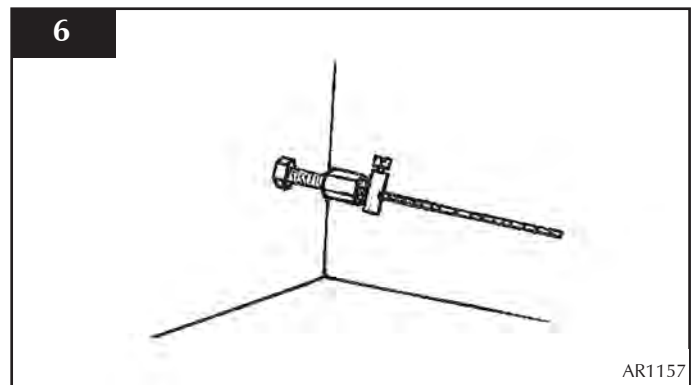
- 6.2 Mark the position of the 4 fixing holes on the rear of the fireplace opening and drill the holes using a No. 12 masonry drill bit. Insert the 4 fibre rawl plugs and screw the eyebolts in as far as possible leaving the eye horizontal. See diagram 4.



- 6.3 Pass the 2 cables through the holes in the bracket on the back of the firebox and pull taut so that the stop ends sit tightly against the top of the bracket. See diagram 5.



- 6.4 Pass the cables vertically through the 2 sets of eyebolts and thread the ends through the holes in the lower back of the firebox. Pass the gas supply pipe through the hole in the rubber seal (refer to section 5.2) and push the appliance into place.
- 6.5 Thread the cables through the tensioner bolts and push the threaded portions through the holes in the firebox so that the lock nut sits against the back wall (ensure that the nut is screwed fully up to the head of the tensioner to allow maximum adjustment).
- 6.6 Slide the locking nipples onto the cables, pull the cables taut and tighten the locking screw. Adjust the lock nuts using a 10mm spanner until the silicone sealing strip forms a tight seal between the fireplace opening and the firebox flange. See diagram 6.



- 6.7 Coil up the surplus cable and locate in the back of the fire box.

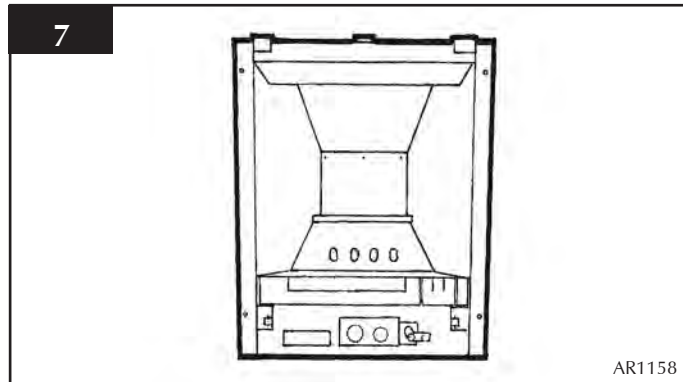
**NEVER SHORTEN THE CABLES, THEY WILL BE REQUIRED WHEN SERVICING THE APPLIANCE.**

# INSTALLATION INSTRUCTIONS

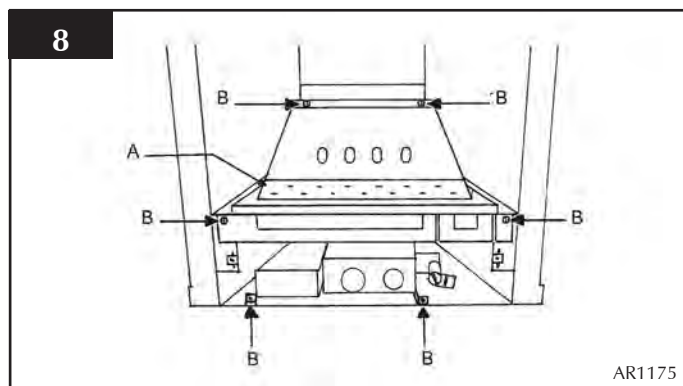
## INSTALLATION

### B) SCREW FIXING METHOD

- 6.8 Alternatively, this appliance can be secured back to the fire place opening using the screws and rawl plugs provided. Place the firebox centrally in the opening and mark the positions of the 4 fixing holes. Drill the holes and insert the 4 rawl plugs. See diagram 7.



- 6.9 Offer the firebox into the opening and ensure that the gas supply pipe passes through the rubber seal.
- 6.10 Refit the burner assembly and secure the 6 pozidriv screws. Connect the gas supply to the inlet connection on the burner unit and tighten. It may be necessary to support the inlet connection with another spanner whilst tightening this joint. See diagram 8.



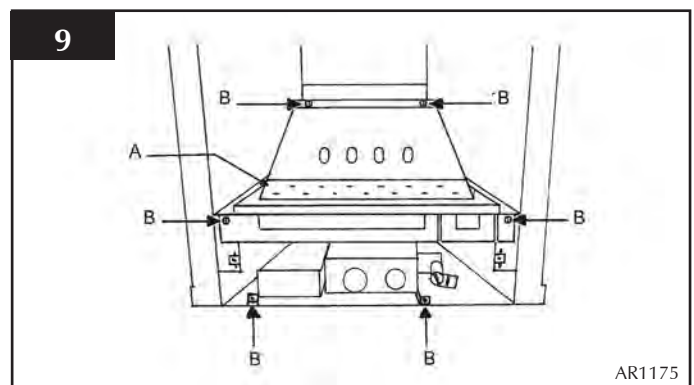
- 6.11 Turn on the gas supply to the appliance and check for leaks. Light the fire and check all joints on the appliance for leaks.
- 6.12 Remove the sealing screw from the inlet connection and connect a suitable "U" gauge manometer. Light the fire and turn to the maximum position, refer to the data badge and ensure that the running pressure is correct. If the pressure varies significantly from that on the data badge, this may indicate a supply problem and will require immediate attention.
- 6.13 Turn the appliance off, disconnect the "U" gauge and replace the sealing screw. Relight the appliance and check the sealing screw for leaks.

### 7. ARRANGEMENT OF FUEL BED COMPONENTS

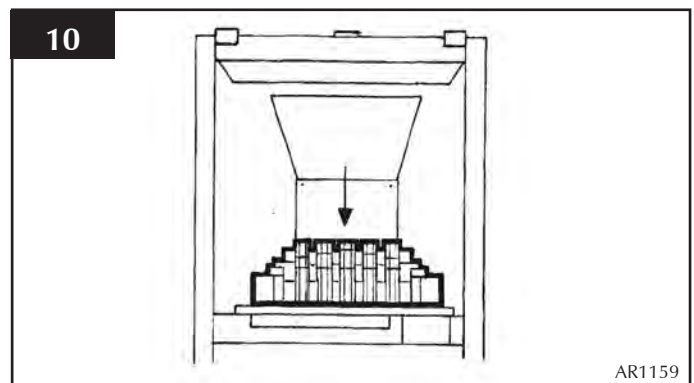
**NOTE: CERAMIC PARTS ARE FRAGILE. THE SIDE AND REAR PANELS ARE REVERSIBLE. ONE SIDE IS PLAIN, THE OTHER SIDE IS REEDED. ASK THE CUSTOMER WHICH SIDE IS PREFERRED AT THIS STAGE.**

**ONLY USE THE CORRECT TYPE AND QUANTITY OF CERAMIC COMPONENTS. POINTS 7.1 TO 7.5 ARE COMMON TO ALL FUEL TYPES AND LAYOUTS.**

- 7.1 Position the burner cover gasket on the burner skin ensuring the holes align with the ports. Take care as the front left-hand hole is offset compared to the others. See diagram 9, arrow A.



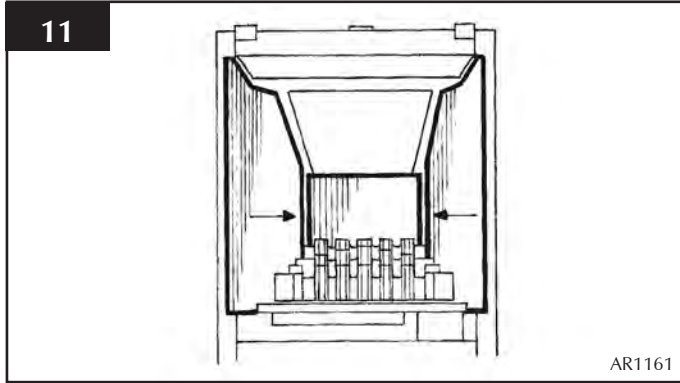
- 7.2 Position the flame baffle centrally on the tray and ensure the stepped lower edge engages against the rear edge of the burner skin. See diagram 10.



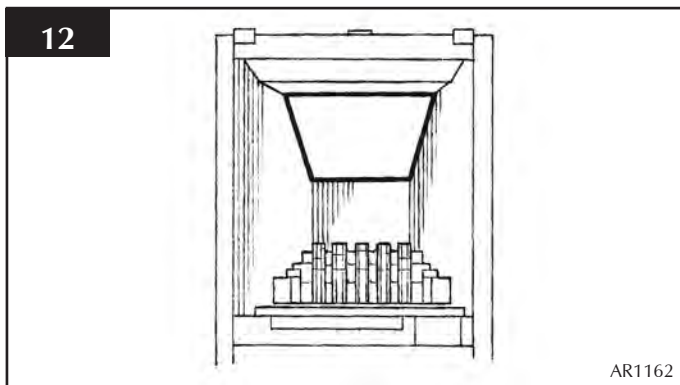
# INSTALLATION INSTRUCTIONS

## INSTALLATION

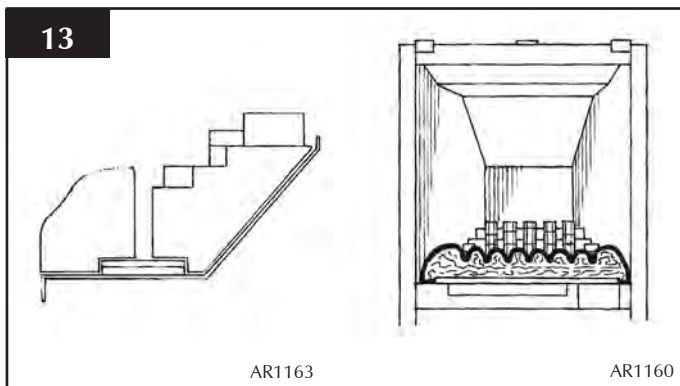
- 7.3 Place the rear panel against the rear of the box and slide the side panels on either side of the flame baffle. Ensure they locate in the brackets at the top of the firebox. **DO NOT SLIDE THEM ALL THE WAY BACK.** See diagram 11.



- 7.4 Locate the top panel on top of the rear and side panels. Finally push the sides fully towards the rear panel. This will retain the top panel. See diagram 12.



- 7.5 Place the front coal centrally in the channel at the front of the tray. See diagram 13. The relationship between the front coal and flame baffle is shown in diagram 13.

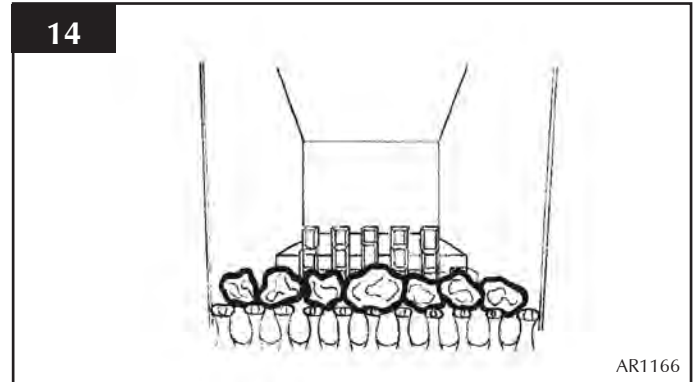


### COAL LAYOUT

**NOTE: THERE ARE TWO LARGE COALS IN A SEPARATE BAG INSIDE THE MAIN BAG FOR USE WITH A CURVED FRONT (SUCH AS THE HOLYROOD AND**

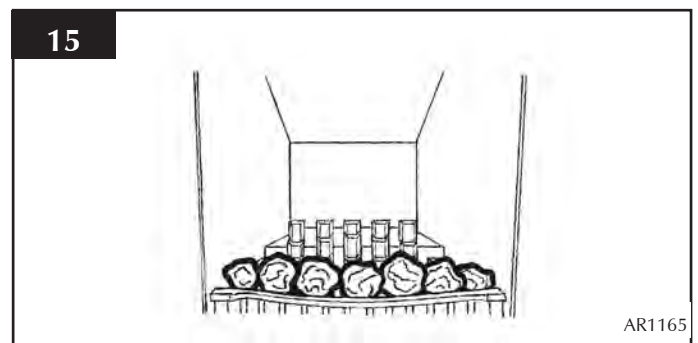
### RICHMOND) AND NOT FOR A FLAT FRONTED FRAME. FRONT ROW COAL LAYOUT USING FLAT FIRE FRONTS

- 7.6 The front row is the only difference in coal layout. Place one large coal centrally on the front coal resting against the frame. Then place three small coals either side. See diagram 14.



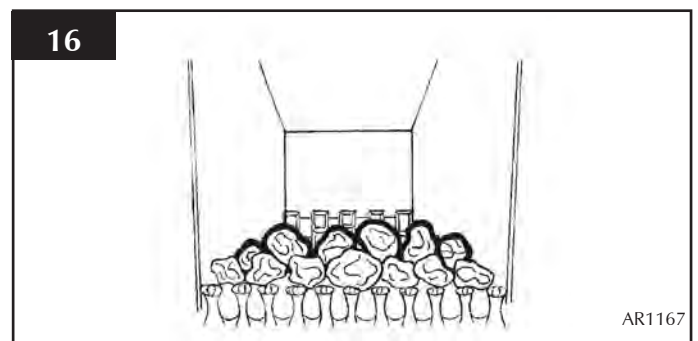
### FRONT ROW COAL LAYOUT USING CURVED FIRE FRONTS.

- 7.7 Place three large coals resting on top of the front coal and against the front of the frame, then place two small coals either side of the large ones. See diagram 15.



### COAL LAYOUT CONTINUED FROM FRONT ROW

- 7.8 Place four large coals behind the first row and one small coal either end resting up against the side panels. See diagram 16.

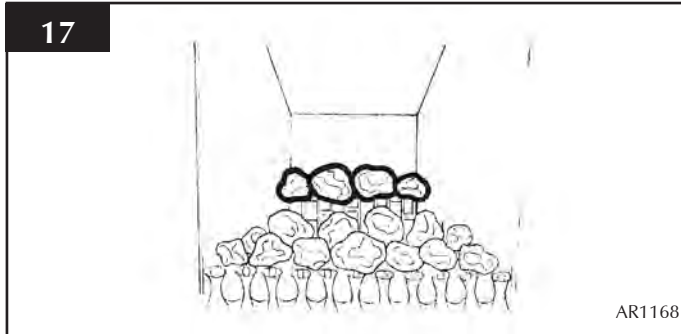


- 7.9 Place one small coal either side on top of the flame baffle in each rear corner. Then place two large coals in between the

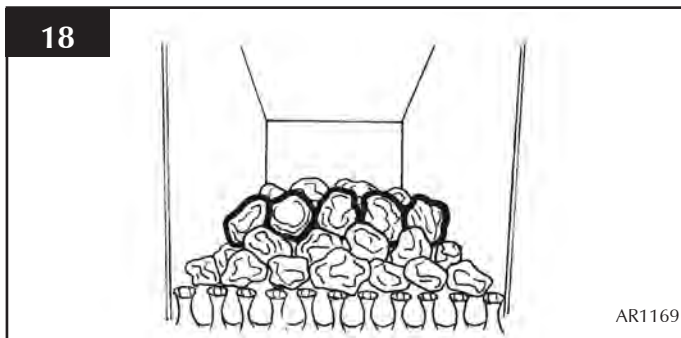
# INSTALLATION INSTRUCTIONS

## INSTALLATION

two small coals. These coals should touch the rear panel. See diagram 17.



7.10 Finally place five large coals between the second and rear row of coals. See diagram 18.

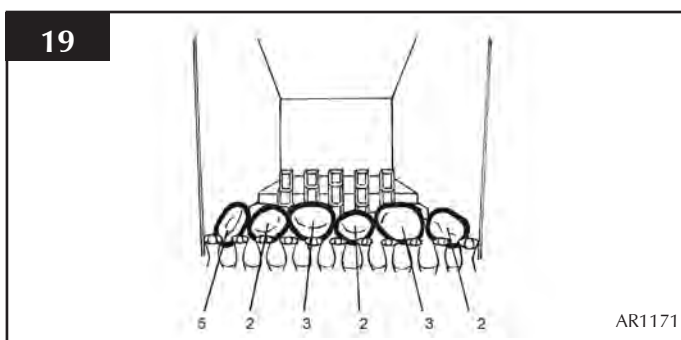


7.11 It is essential that gaps are left between the coals to maximise the performance of the appliance.

### PEBBLE LAYOUT - CURVED AND FLAT FRONTS

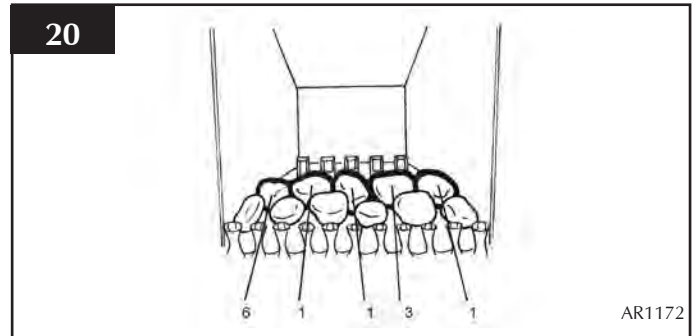
**7.12 ALL THE PEBBLES HAVE AN ID NUMBER ON THE UNDERSIDE. ENSURE THE PEBBLES ARE PLACED ONLY IN THEIR CORRECT POSITIONS.**

7.13 Place the first row of pebbles on top of the front coal resting against the frame front. All the numbers must be placed face down so they cannot be seen. See diagram 19.

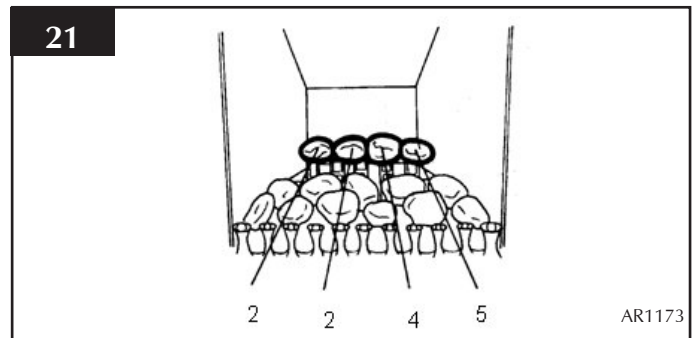


7.14 Working from the outer edges, place the second row of pebbles against the rear of the first row. Note the

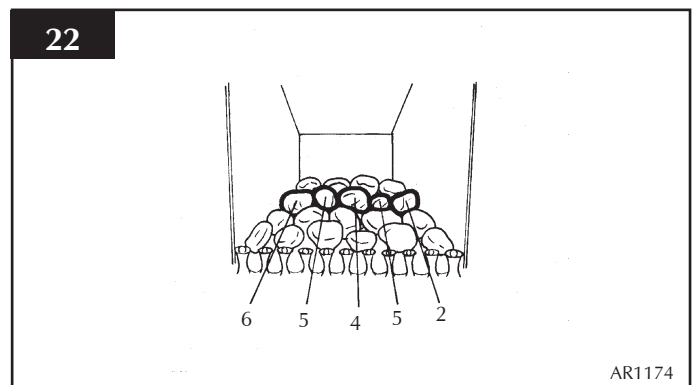
orientation of each pebble, as this is important to the performance of the fire. See diagram 20.



7.15 Place the rear row of pebbles on top of the flame baffle, these must touch the rear panel. See diagram 21.



7.16 Place the remaining five pebbles between the second and rear rows. See diagram 22



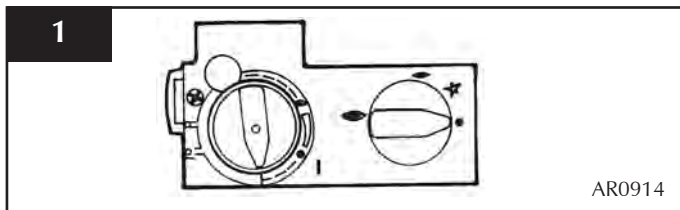


# INSTALLATION INSTRUCTIONS

## INSTALLATION / COMMISSIONING

### 11. LIGHTING THE FIRE

- 11.1 Locate the control valve on the appliance. There are two control knobs on the valve, the right hand knob controls the pilot ignition and the left hand knob controls the main burner.
- 11.2 If your appliance has already been upgraded to battery remote control, please refer to the instructions provided with the upgrade to operate the remote control. The following instructions will work for either situation.

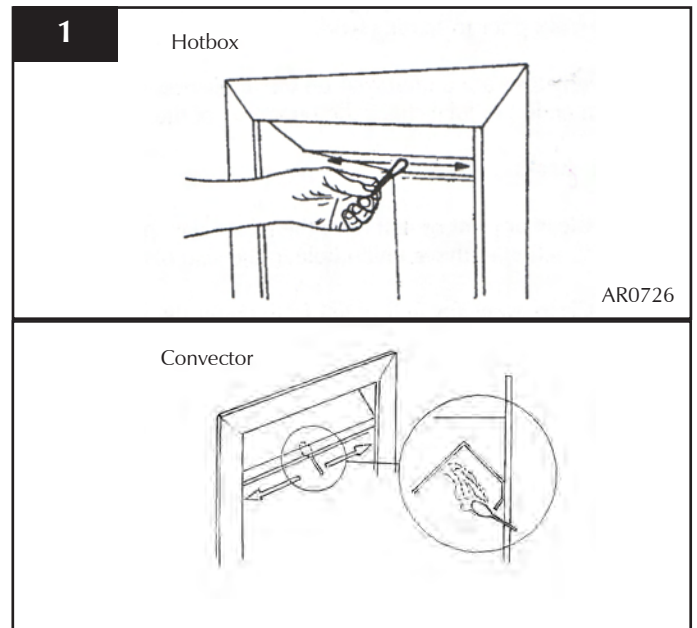


- 11.3 Ensure that the left-hand control knob is pointing to off ( ).
- 11.4 Ensure that the right hand control knob is pointing to off ( ).
- 11.5 Press in the right hand control knob and rotate it anti-clockwise until a click is heard (keep pressing in) and the knob is pointing to pilot (●). The pilot should now light. If the pilot has not lit, repeat the procedure until it does.
- 11.6 Keep the control knob pressed for 10 seconds and then release it, the pilot should stay alight. If the pilot goes out, repeat the procedures until it does.
- 11.7 If the pilot will not light after repeated attempts, contact the retailer or installer from whom the appliance was purchased.
- 11.8 Turn the right hand control to point to main burner (◀). The appliance can now be controlled using the left hand control knob.
- 11.9 Turn the left hand control knob to point to low fire (◀), the main burner will light on low. The burner can now be controlled between low and high settings. Turn the control knob anti-clockwise increase the flame height and clockwise to decrease the flame height.

**THE YELLOW FLAMES WILL APPEAR WHEN THE FIRE HAS GAINED SUFFICIENT HEAT - TYPICALLY 10 TO 20 MINUTES.**

### 1. COMMISSIONING

- 1.1 Close all windows and doors to the room, check all controls, and allow fire to burn on maximum for 5 minutes. Test for spillage of flue products using a smoke match. Pass the lighted smoke match along the top front edge just inside the opening or canopy. See diagram 1.



- 1.2 If the fire spills, run for a further 10 minutes and re-check. If the flue restrictor plate has been fitted to the fire this can be removed to assist flue flow if required. ( Convector only)
- 1.3 If there are extractor fans in the room or adjacent rooms, the spillage test must be repeated with the extractors running on maximum.

**IF SPILLAGE PERSISTS, DISCONNECT THE APPLIANCE AND SEEK EXPERT ADVICE.**

For future reference record the installation details on the commissioning sheet on page 3 of these instructions.

# SERVICING INSTRUCTIONS

## SERVICING

### 1. SERVICING REQUIREMENTS

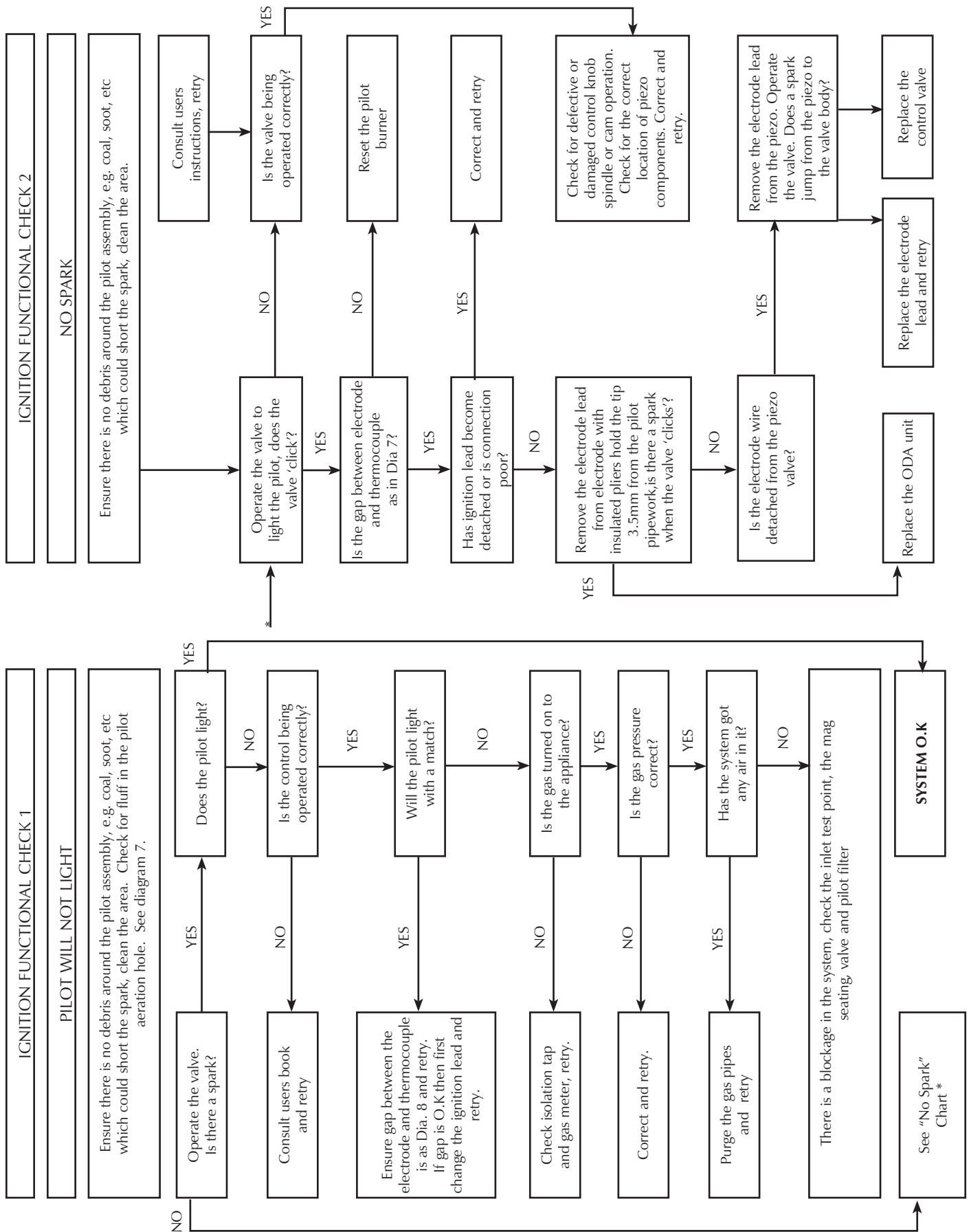
This appliance must be serviced at least once a year by a competent person.

All tests must be serviced by best practice as described by the current CORGI recommendations.

- 1.1 Before any tests are undertaken on the appliance, conduct a gas soundness test for the property to ensure that there are no gas leaks prior to starting work.
- 1.2 Before any tests are undertaken on the appliance it is also recommended to fully check the operation of the appliance.
- 1.3 Special checks
  - 1.3.1 Clean any lint or fluff from the pilot - pay particular attention to the aeration hole in the side of the pilot.
  - 1.3.2 Clean away any fluff or lint from under the burner
  - 1.3.3 Check that the spark gap on the pilot is correct.
- 1.4 Correct any faults found during the initial tests and then recommission the appliance conducting the usual safety checks.
- 1.5 Advise the customer of any remedial action taken.
- 1.6 As part of the annual service, the space behind the firebox must be inspected for any debris, which may have fallen down the chimney.
- 1.7 Remove the gas fire from the firebox as detailed below.
- 1.8 Inspect the space behind the firebox for debris and the condition of the chimney, the flue flow test should be carried out now. Remove any debris and carry out any necessary remedial work.

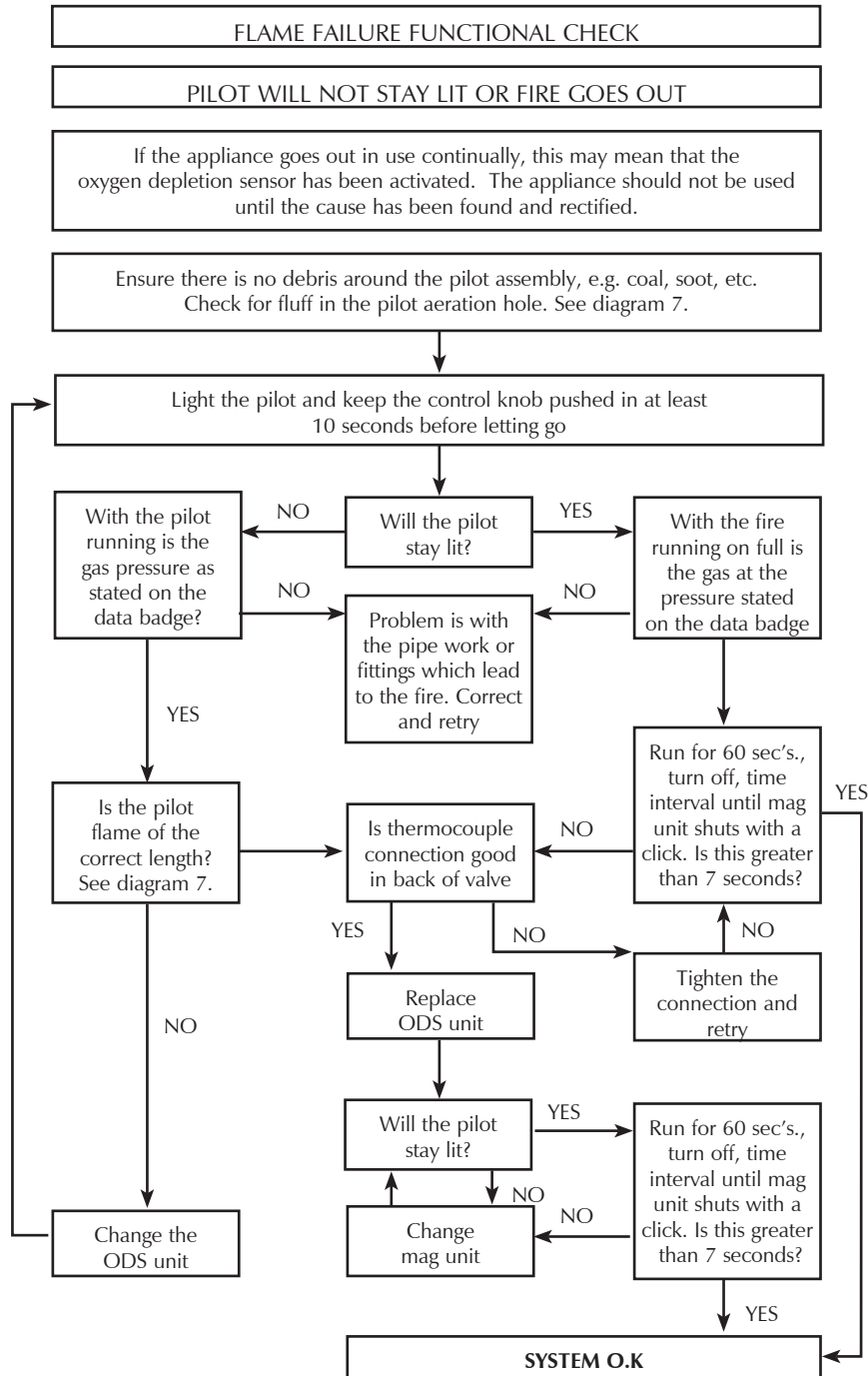
# SERVICING INSTRUCTIONS

## FAULT FINDING CHARTS



# SERVICING INSTRUCTIONS

## FAULT FINDING CHARTS



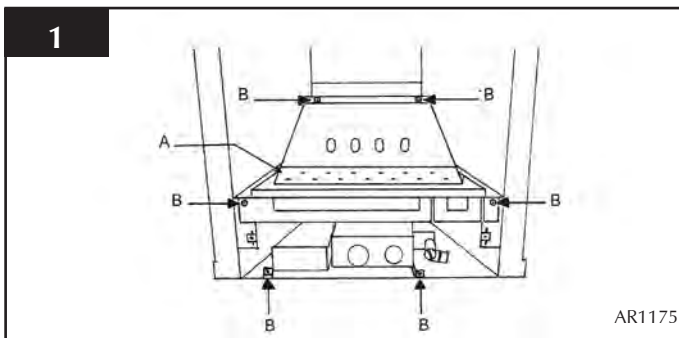
# SERVICING INSTRUCTIONS

## REPLACING PARTS

### 1. GENERAL

In order to service any of the following parts on the appliance, it will be necessary to remove the burner unit from the firebox. To remove the burner unit proceed as follows.

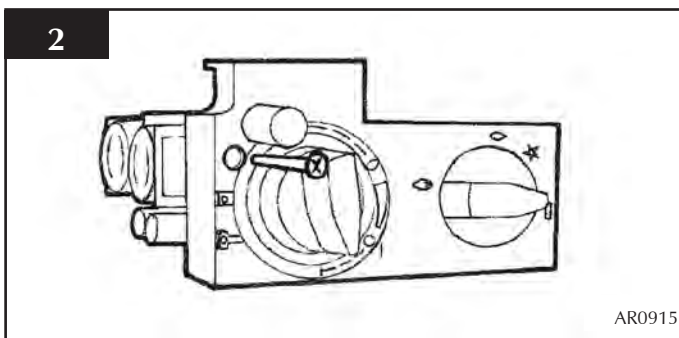
- 1.1 Turn off the gas supply at the isolation device located under the appliance.
- 1.2 Disconnect the gas supply pipe leaving the isolation device on the supply pipe and not the appliance.
- 1.3 Remove the loose coals or pebbles and place on a dry clean surface.
- 1.4 Remove the decorative frame, fret and ash cover. There are two screws securing the frame to the appliance. Refer to frame instructions.
- 1.5 Remove the front coal, flame baffle and all the ceramic liners. All these items are very fragile so store them carefully.
- 1.6 Remove the six screws securing the burner unit to the fire firebox. See diagram 1.



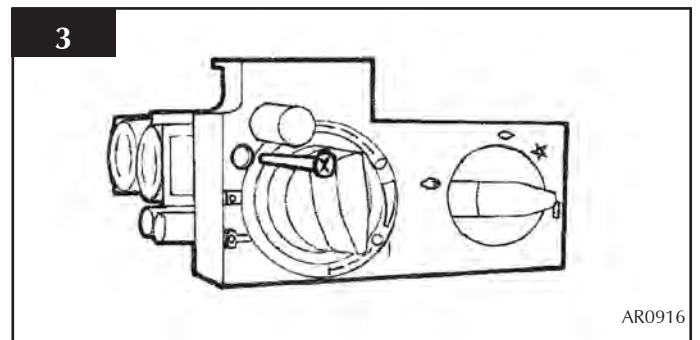
- 1.7 The burner unit can now be removed.

### 2. IGNITION LEAD

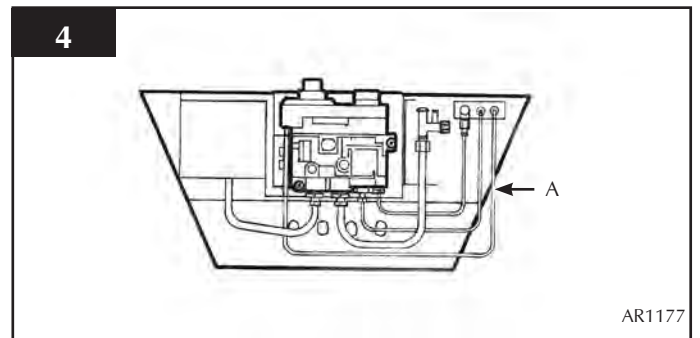
- 2.1 Remove the fire. Refer to section 1.
- 2.2 Undo the single screw that secures the left hand side of the control cover. See diagram 2.



- 2.3 To release the right hand side of the control cover insert the narrow blade screwdriver into the slot shown in diagram 3, lever it gently and pull from the right hand side at the same time. The cover will now come off, there is a small cylindrical metal spacer inside the cover, this must be kept and replaced on the fixing screw during re-assembly.



- 2.4 Disconnect the ignition lead from the gas valve and the pilot. See diagram 4 arrow A.



- 2.5 Replace with a new ignition lead following the same route as the old one. Replace the valve cover and the pilot assembly.
- 2.6 Check the operation of the new ignition lead.
- 2.7 Replace the fret.

### 3. PIEZO

- 3.1 The piezo assembly used on this appliance is not serviceable and is unlikely to fail. If a new piezo is required it will be necessary to change the gas valve, refer to section 5.

### 4. ODS PILOT UNIT

Note: The pilot unit on the appliance is a non serviceable unit due to the complex nature of its manufacture. Replacement of the complete unit must be carried out when one of the following items becomes faulty:

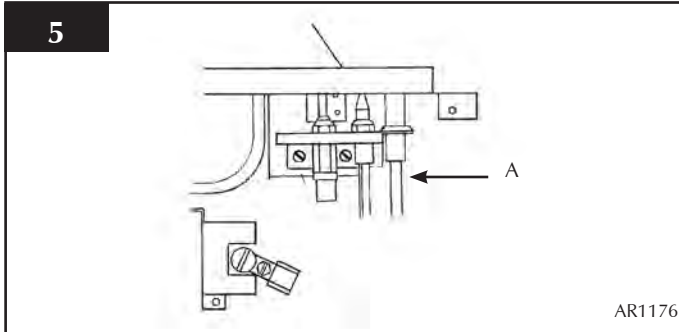
- Pilot injector
- Ignition electrode
- Thermocouple

- 4.1 Remove the fire, refer to section 1.

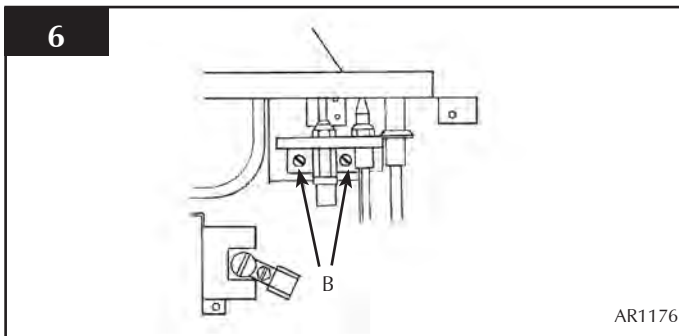
# SERVICING INSTRUCTIONS

## REPLACING PARTS

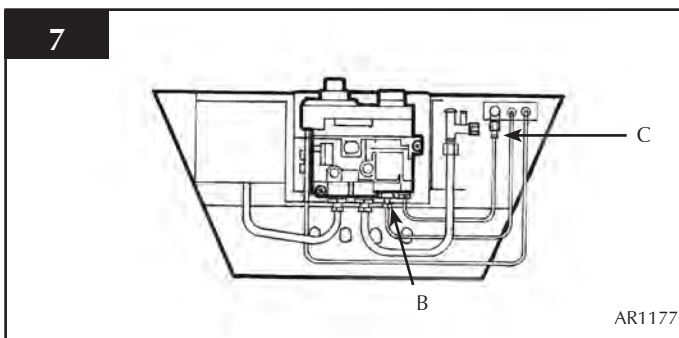
4.2 Gently pull the ignition lead off the electrode. See diagram 5 arrow A.



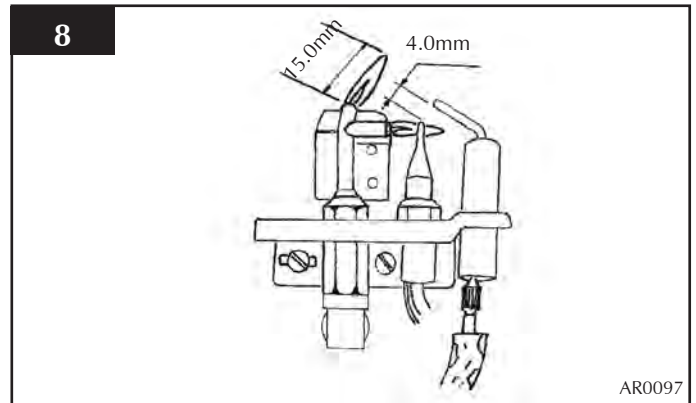
4.3 Remove the two screws securing the pilot assembly. See diagram 6 arrow B.



4.4 Undo the thermocouple connection at the back of the gas valve and the pilot pipe at the pilot elbow. See diagram 7 arrows B and C.



4.5 Replace with a new pilot assembly, set the spark gap. See diagram 8.

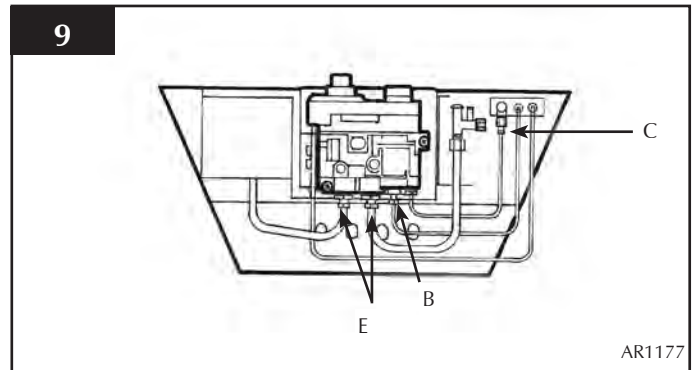


4.6 After reassembly, check for gas soundness and carry out a flame failure functional check details in the flow chart, especially the mag drop out time.

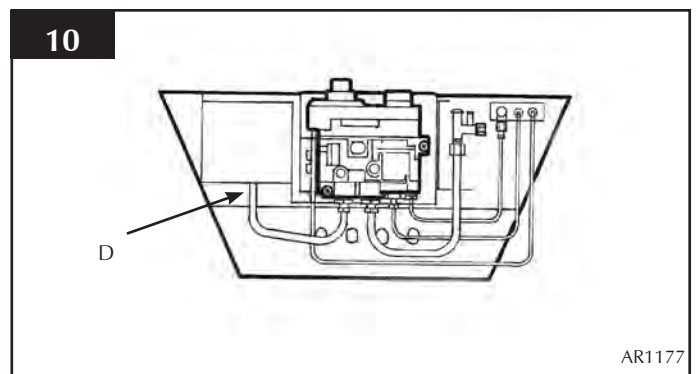
### 5. GAS VALVE

5.1 Remove the fire, refer to section 1.

5.2 Disconnect the 2x8mm and 1x4mm gas pipe fittings at the back of the gas valve and also disconnect the thermocouple, see diagram 9 arrows B and E.



5.3 Disconnect the injector nut. See diagram 10 arrow D.



5.4 Undo the two bolts securing the gas valve to the appliance and remove the valve.

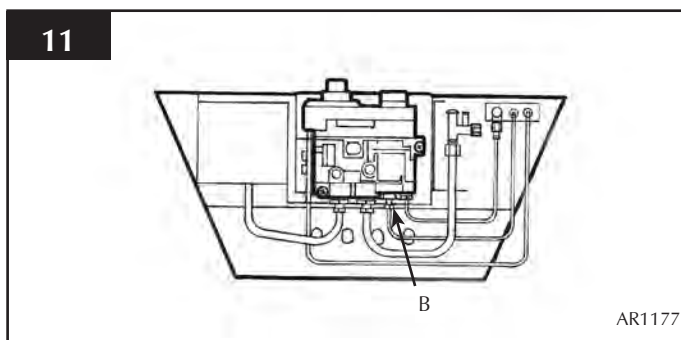
# SERVICING INSTRUCTIONS

## REPLACING PARTS

- 5.5 Replace in reverse order.
- 5.6 Check all joints for gas leaks, check operation of the thermocouple and ignition lead.

### 6. MAG UNIT

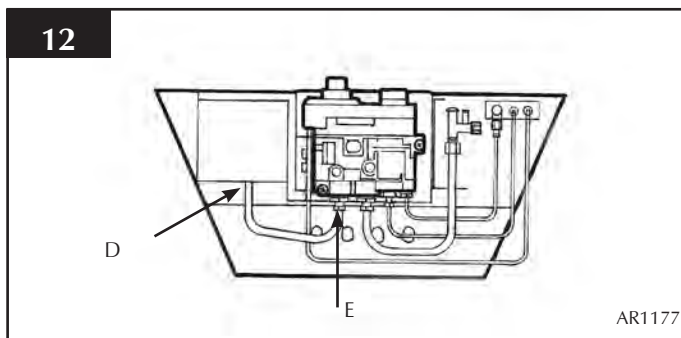
- 6.1 Remove the fire, refer to section 1.
- 6.2 Under the thermocouple nut. See diagram 11 arrow B.
- 6.3 Undo the mag unit retaining nut at the back of the control valve behind the thermocouple nut.



- 6.4 After removing the retaining nut, the mag unit can be tapped out and a replacement fitted.
- 6.5 Replace the mag unit retaining nut and tighten. Note - this is a gas-tight seal.
- 6.6 Replace the thermocouple and check for gas leaks.
- 6.7 After reassembly, carry out the flame failure functional check as detailed in the flow chart, especially the mag unit drop out time.

### 7. MAIN INJECTOR

- 7.1 Remove the fire, refer to section 1.
- 7.2 With the fire removed, undo the injector compression nut and valve nut (see diagram 12 arrows D and E), pull the pipe clear of the injector body.



- 7.3 Rotate the injector until it is fully removed.
- 7.4 Replace with the correct replacement injector. When ordering, always state the model, gas type and serial number.
- 7.5 Reassemble and turn the gas supply on, check for any leaks.

### 8. CHANGING BETWEEN GAS TYPES

The following parts must be changed when converting an appliance from one gas type to another:

**Burner assembly** NGA8306  
LPGAP8306  
**Data badge** PR0393L

**Note:** The control valve will be set for the particular appliance and gas type. In all instances, when ordering new parts, be sure to quote the appliance type and serial number.

**Use only genuine Gazco replacement parts. Non-standard components will invalidate the guarantee and may be dangerous.**

### 9. SPARES PART LISTS

CERAMICS	
FRONT COAL - BLACK	CE0400
FRONT COAL - GREY	CE0401
FLAME BAFFLE - BLACK	CE0402
FLAME BAFFLE - GREY	CE0403
BURNER COVER GASKET	CE0273
CONVECTOR SIDE LH	CE0408
CONVECTOR SIDE RH	CE0409
CONVECTOR REAR PANEL	CE0410
CONVECTOR TOP PANEL	CE0411
HOTBOX SIDE LH	CE0404
HOTBOX SIDE RH	CE0405
HOTBOX REAR PANEL	CE0406
HOTBOX TOP PANEL	CE0407
COAL SET	CE0412
PEBBLE SET	CE0455
NATURAL GAS PARTS	
MAIN INJECTOR	IN0007
PILOT ASSEMBLY	PI0036
GAS VALVE	GC0088
LPG PARTS	
MAIN INJECTOR	IN0025
PILOT ASSEMBLY	PI0037
GAS VALVE	GC0088
MISCELLANEOUS	
IGNITION LEAD	GC0090
MAG UNIT	GC0092
CONTROL COVER	GC0087
UPGRADE KIT	8455

# SERVICE RECORDS

## 1ST SERVICE

Date of Service: .....  
Next Service due: .....  
Signed: .....  
Dealer's Stamp

## 2ND SERVICE

Date of Service: .....  
Next Service due: .....  
Signed: .....  
Dealer's Stamp

## 3RD SERVICE

Date of Service: .....  
Next Service due: .....  
Signed: .....  
Dealer's Stamp

## 4TH SERVICE

Date of Service: .....  
Next Service due: .....  
Signed: .....  
Dealer's Stamp

## 5TH SERVICE

Date of Service: .....  
Next Service due: .....  
Signed: .....  
Dealer's Stamp

## 6TH SERVICE

Date of Service: .....  
Next Service due: .....  
Signed: .....  
Dealer's Stamp

## 7TH SERVICE

Date of Service: .....  
Next Service due: .....  
Signed: .....  
Dealer's Stamp

## 8TH SERVICE

Date of Service: .....  
Next Service due: .....  
Signed: .....  
Dealer's Stamp

## 9TH SERVICE

Date of Service: .....  
Next Service due: .....  
Signed: .....  
Dealer's Stamp

## 10TH SERVICE

Date of Service: .....  
Next Service due: .....  
Signed: .....  
Dealer's Stamp





## Free Manuals Download Website

<http://myh66.com>

<http://usermanuals.us>

<http://www.somanuals.com>

<http://www.4manuals.cc>

<http://www.manual-lib.com>

<http://www.404manual.com>

<http://www.luxmanual.com>

<http://aubethermostatmanual.com>

Golf course search by state

<http://golfingnear.com>

Email search by domain

<http://emailbydomain.com>

Auto manuals search

<http://auto.somanuals.com>

TV manuals search

<http://tv.somanuals.com>