

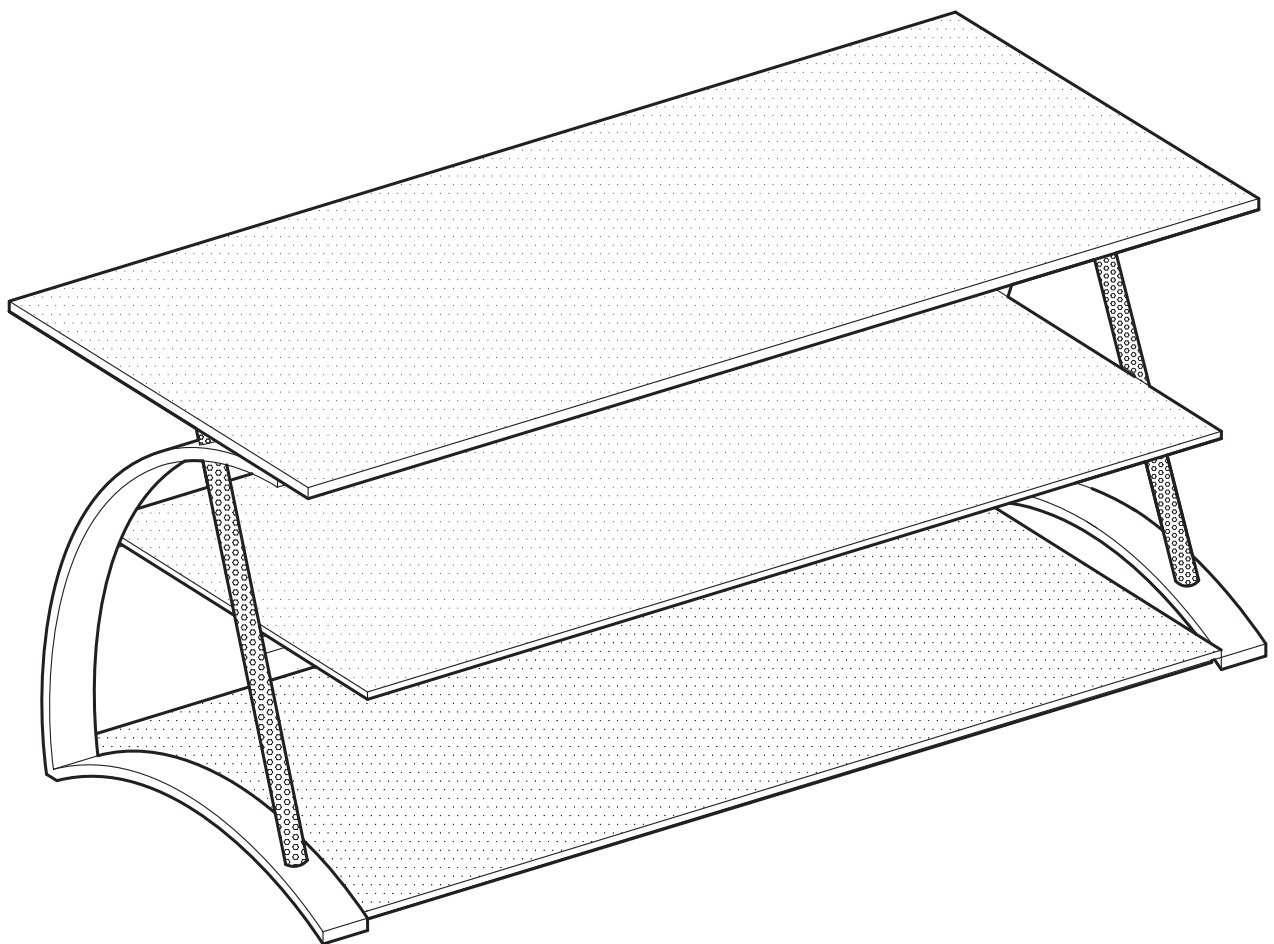


Walker
Edison

furniture company

Item #: V42GBB

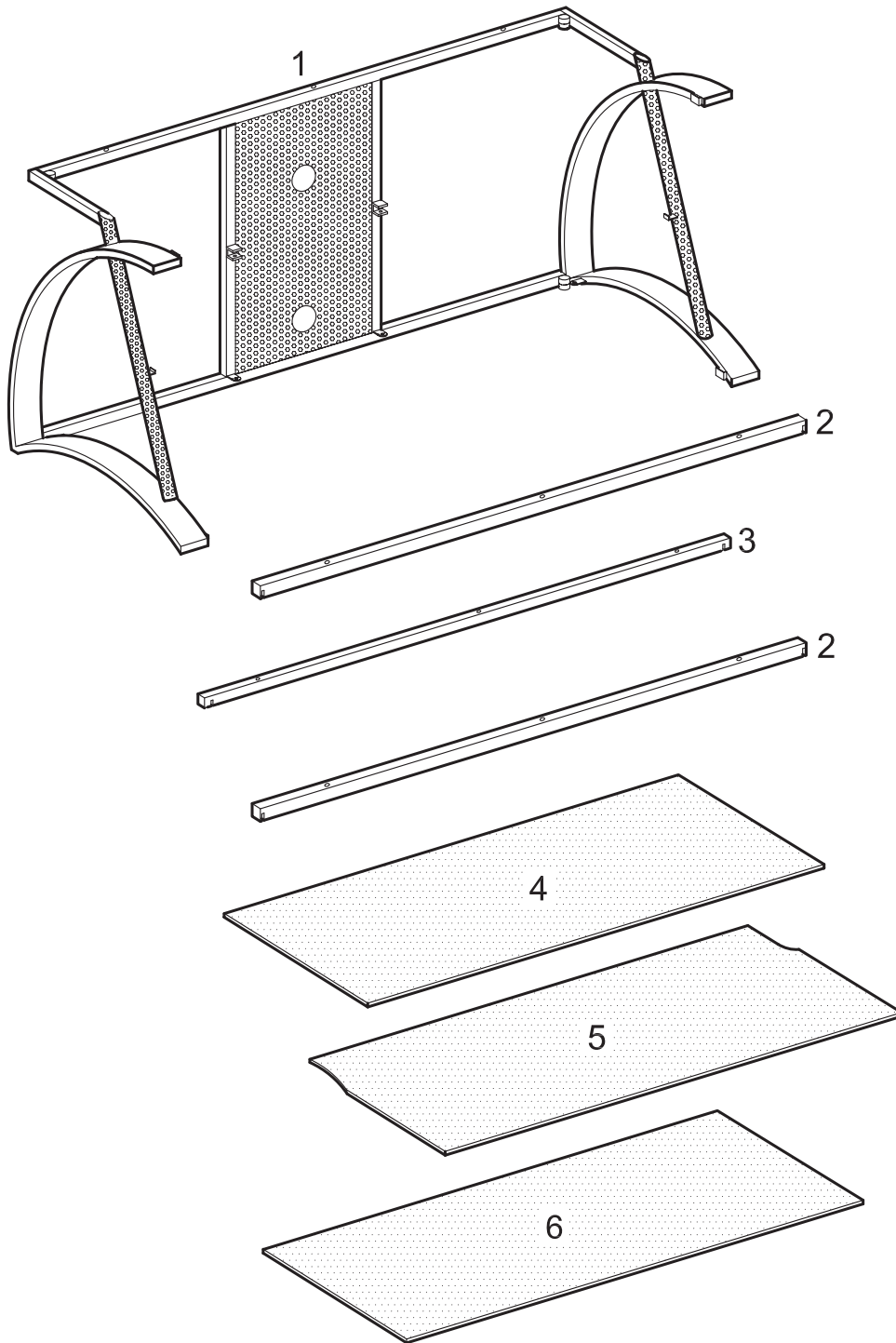
Assembly Instructions



For our most current instructions, to request missing, lost or broken parts, or for any other Customer Service issues, please visit our website at www.walkeredison.com or call us at 877-207-5906.

Revised 12/2010

Parts List



Hardware List

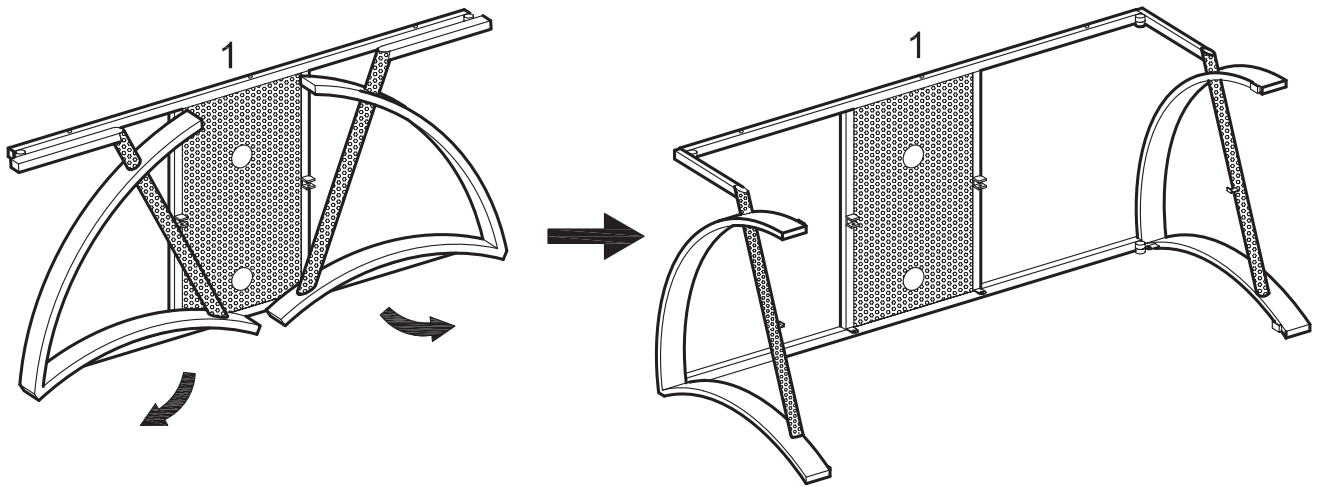
A



Suction cup

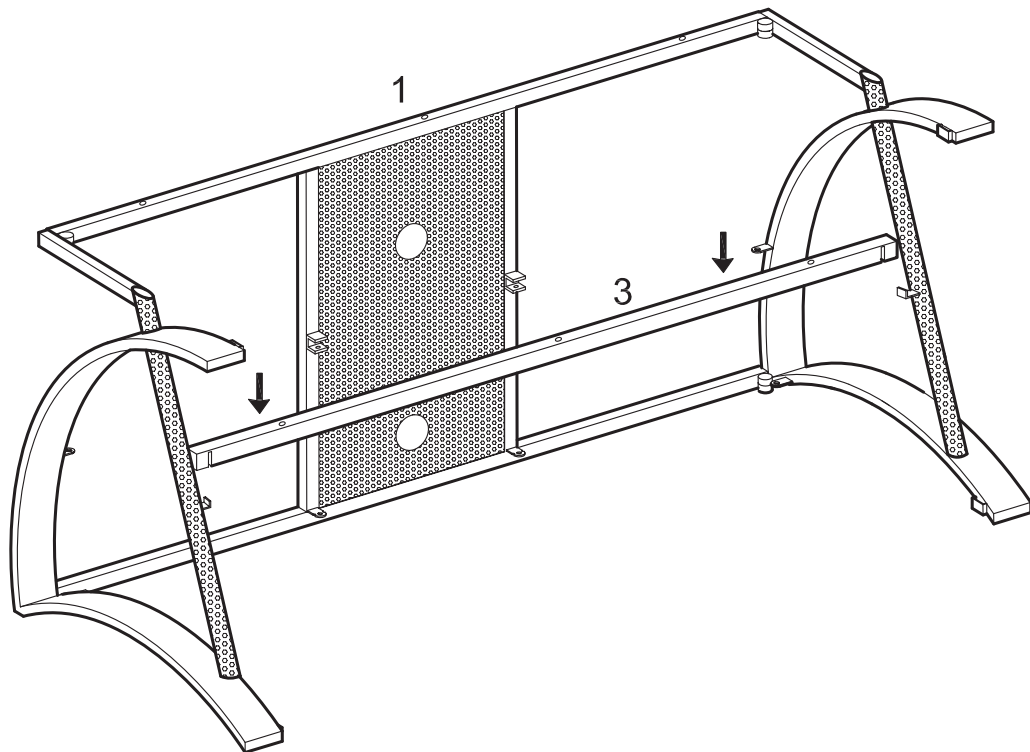
18 pcs

Step 1



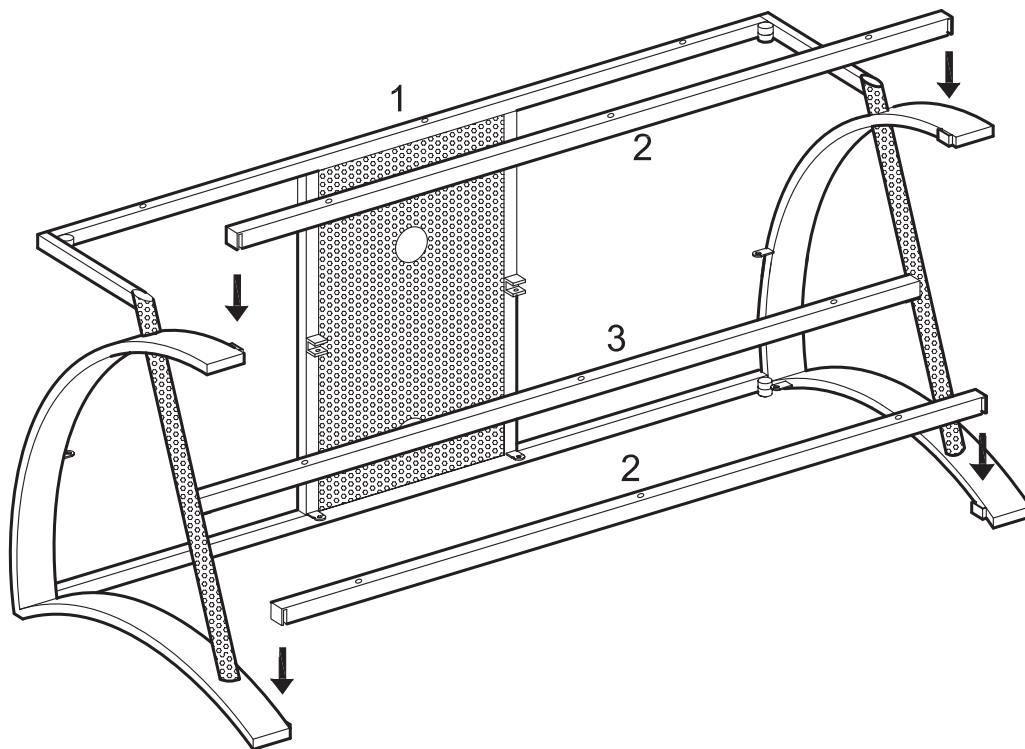
Unfold the stand sides of stand frame (1).

Step 2



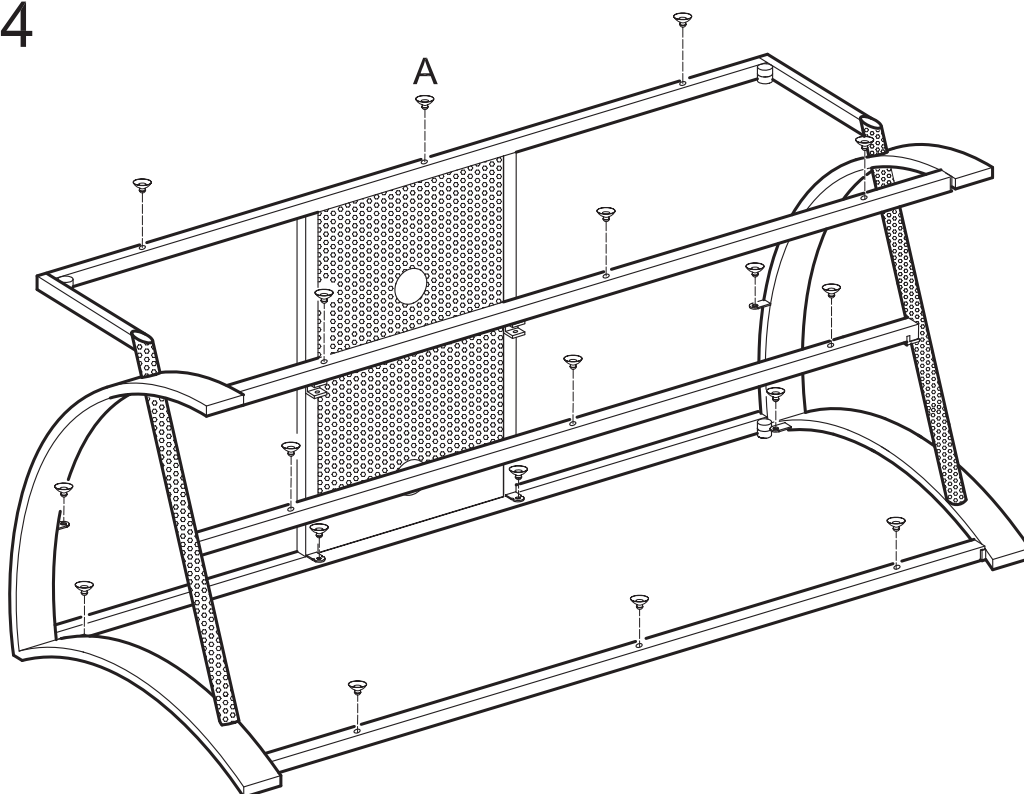
Place crossbar (3) into position on stand frame (1).

Step 3



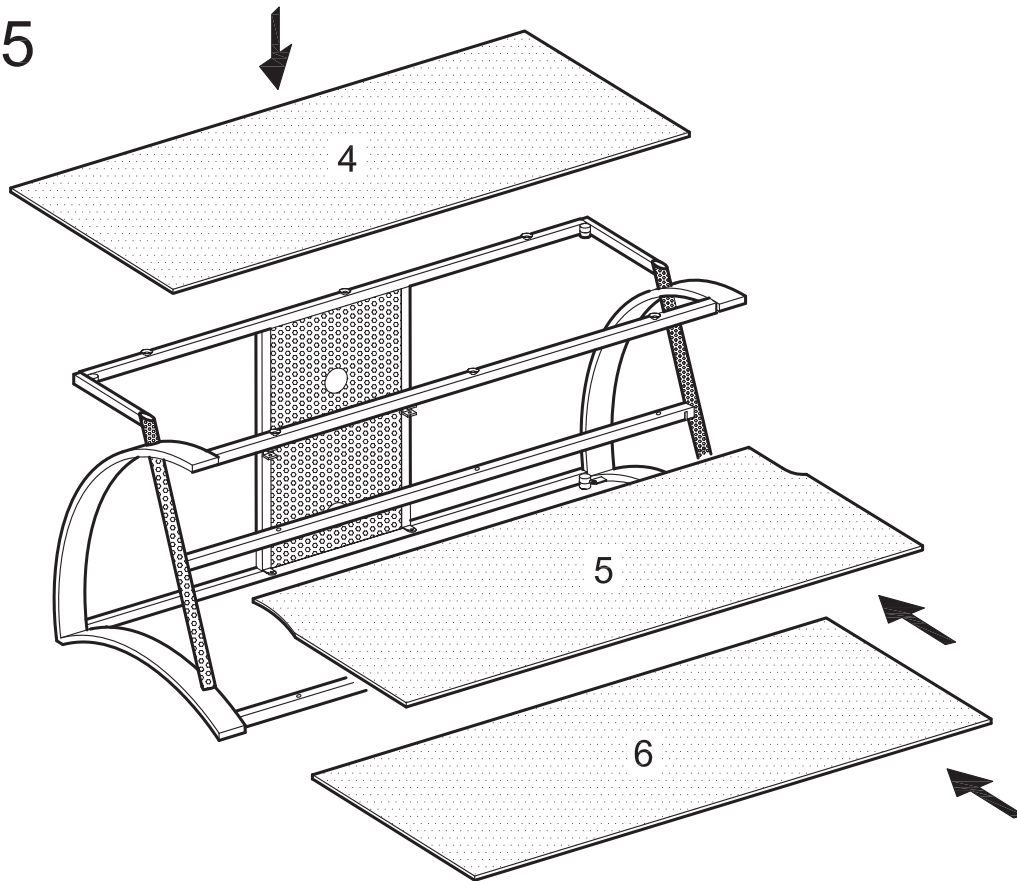
Place crossbars (2) into position on stand frame (1).

Step 4



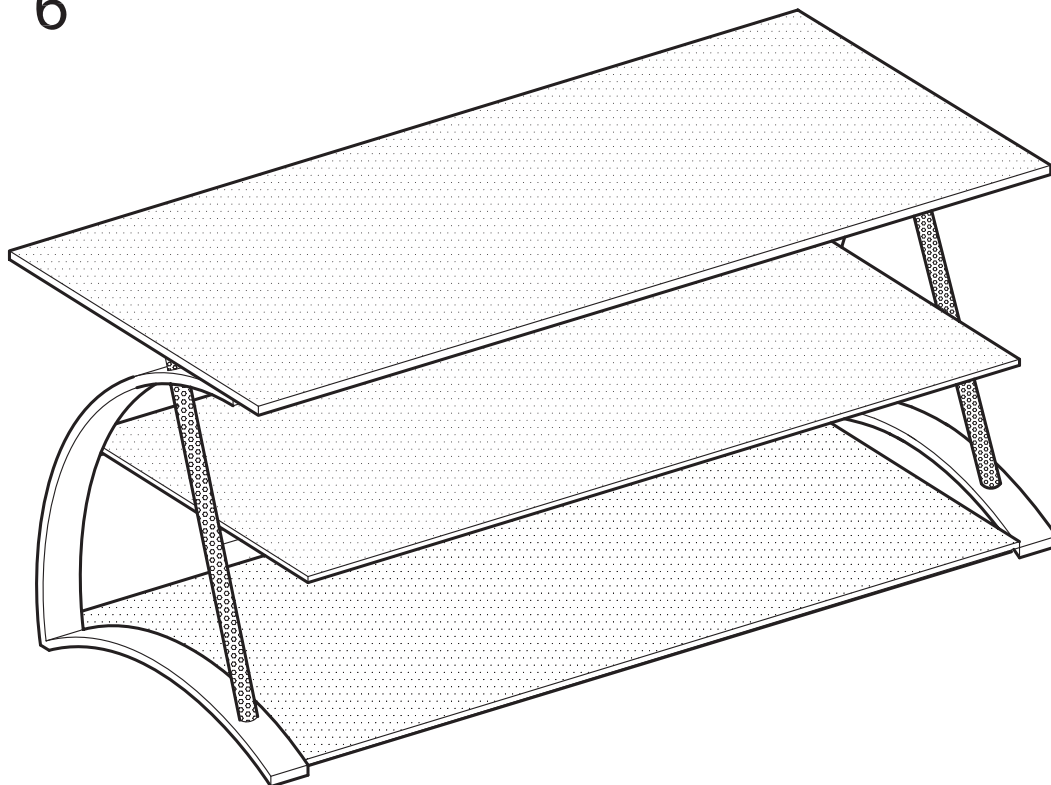
Attach suction cups (A) to the stand frame by inserting into appropriate holes.

Step 5



Carefully slide glass shelves (5,6) into place and gently press to secure. Carefully place top glass (4) on the stand and gently press to secure.

Step 6



Final Assembly

Free Manuals Download Website

<http://myh66.com>

<http://usermanuals.us>

<http://www.somanuals.com>

<http://www.4manuals.cc>

<http://www.manual-lib.com>

<http://www.404manual.com>

<http://www.luxmanual.com>

<http://aubethermostatmanual.com>

Golf course search by state

<http://golfingnear.com>

Email search by domain

<http://emailbydomain.com>

Auto manuals search

<http://auto.somanuals.com>

TV manuals search

<http://tv.somanuals.com>