

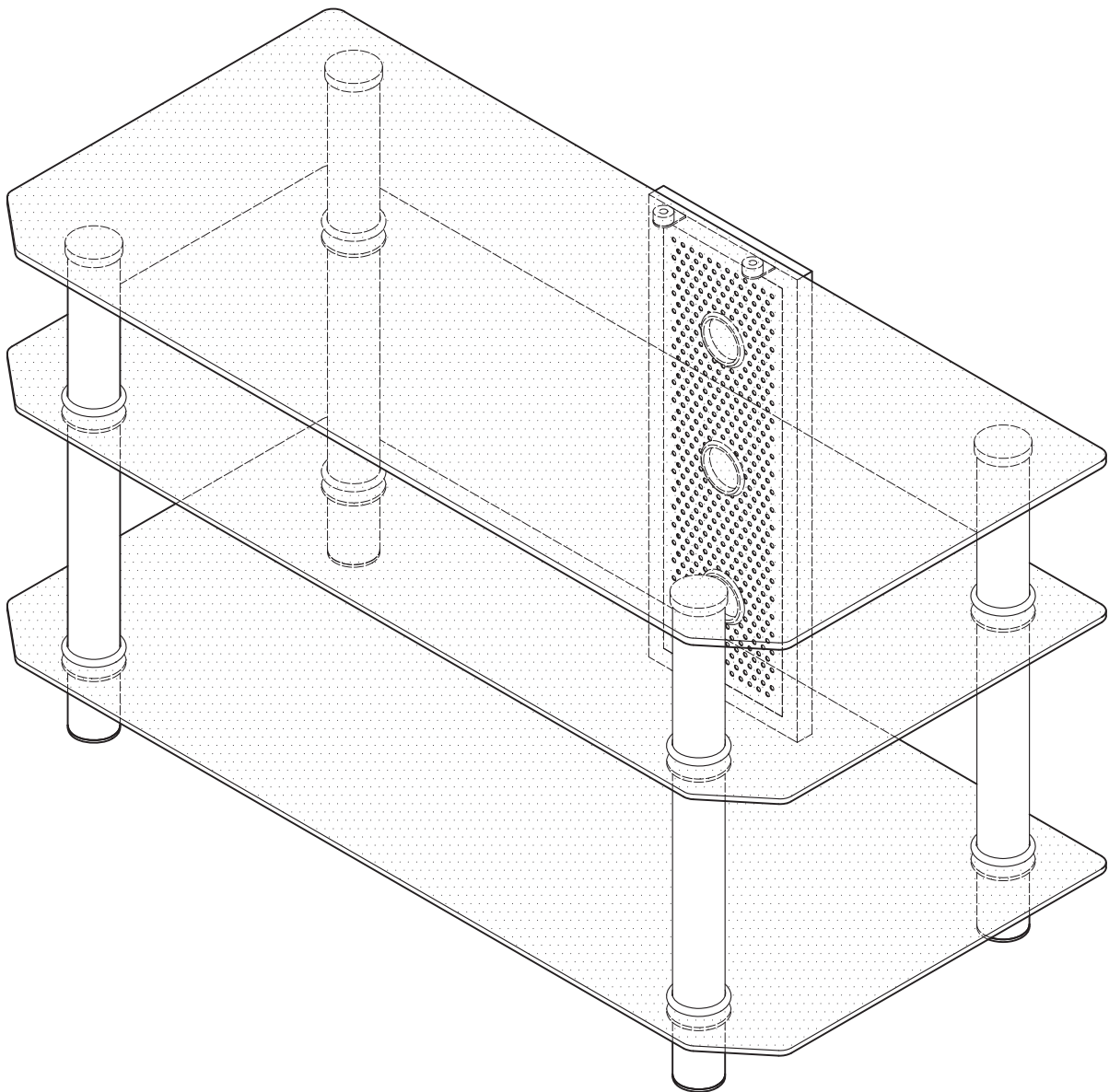


Walker
Edison

furniture company

Item #: V42Y79

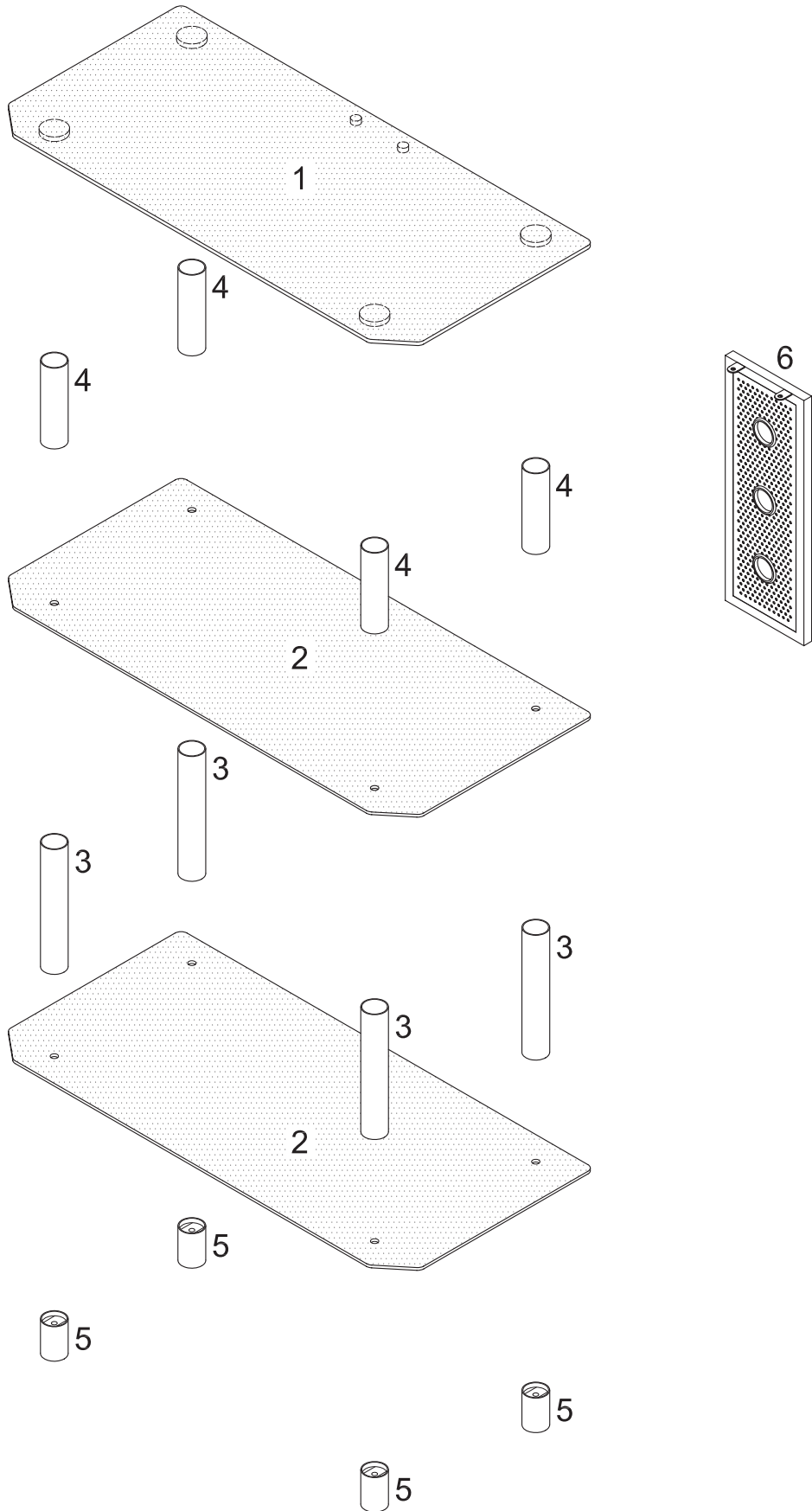
Assembly Instructions









For our most current instructions, to request missing, lost or broken parts, or for any other Customer Service issues, please visit our website at www.walkeredison.com or call us at 877-207-5906.

Revised 11/2010

Parts List

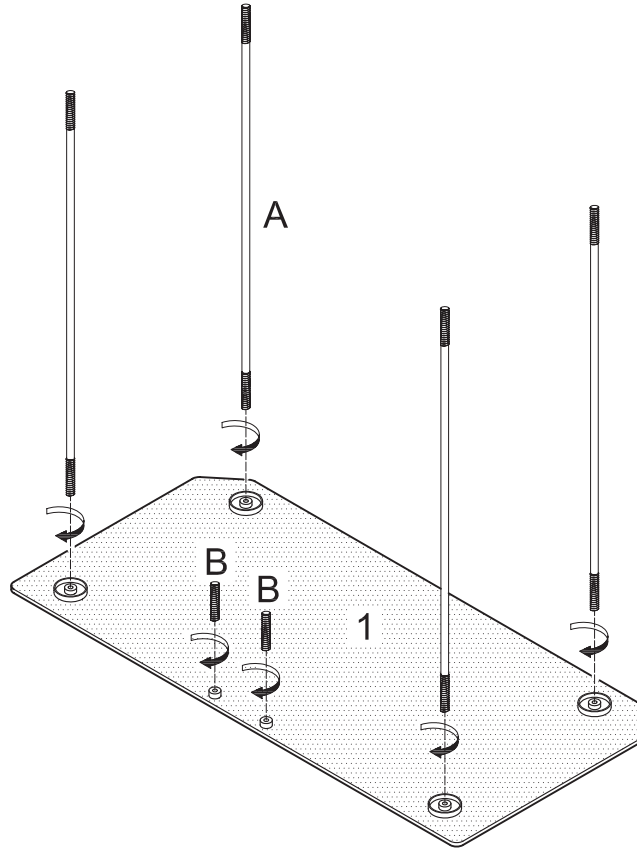


Hardware List

A		Long rod	4 pcs
B		Short rod	2 pcs
C		Cap nut	2 pcs
D		Decorative ring	16 pcs
E		Cap	4 pcs
F		Wrench	1 pc

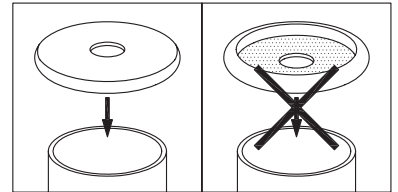
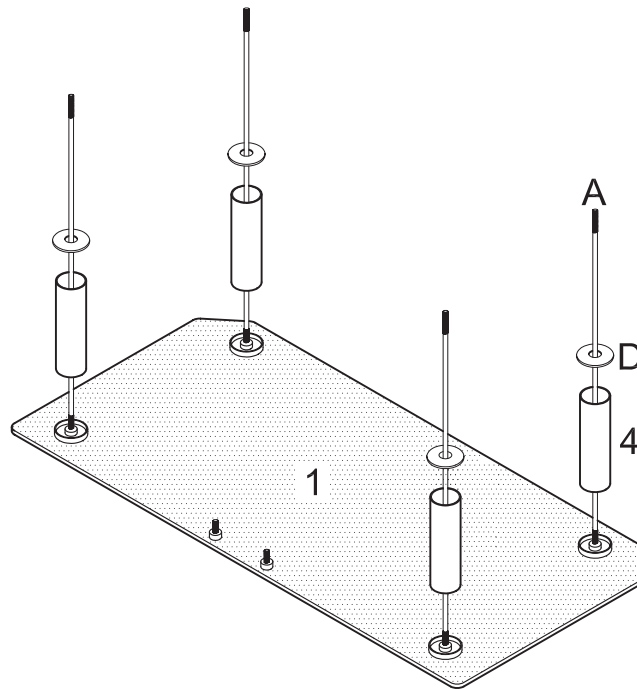
*The hardware quantities listed above are required for proper assembly.
Some extra hardware may also have been included.*

Step 1



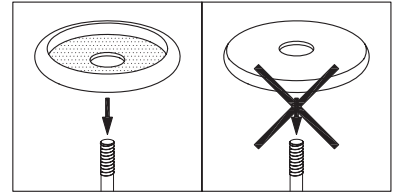
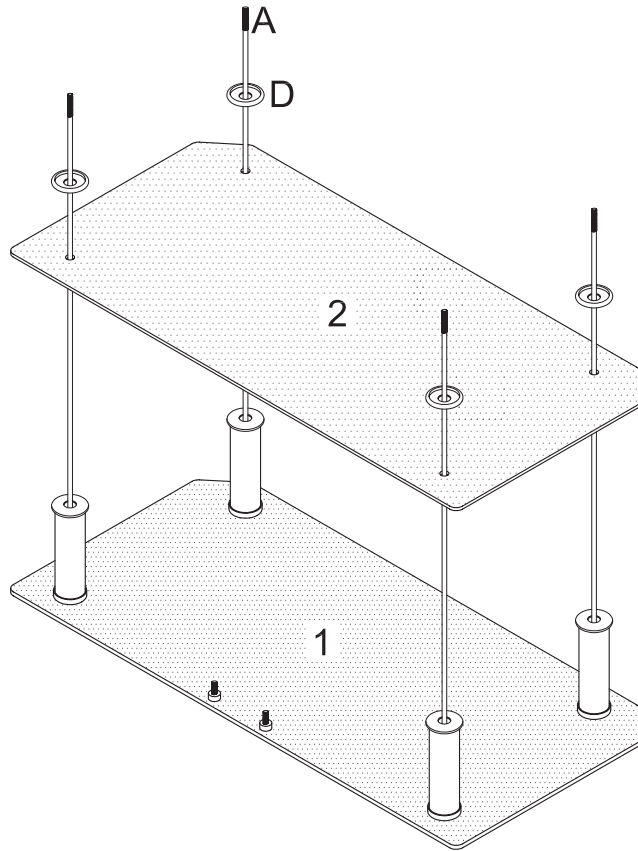
Carefully lay glass (1) upside down on a soft surface. Screw long rods (A) and short rods (B) into the appropriate metal plates of glass (1).

Step 2



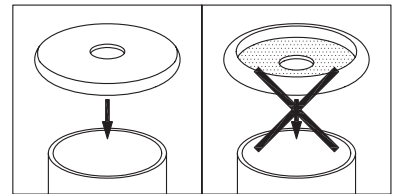
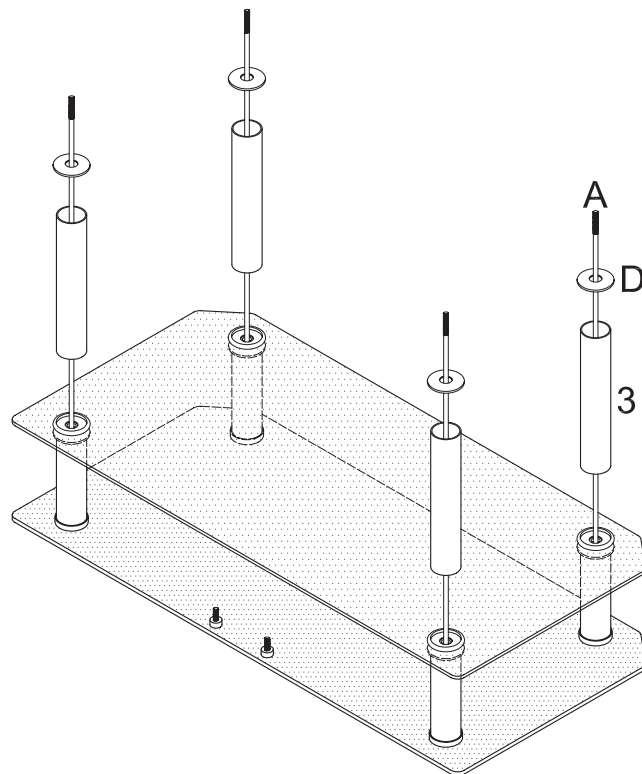
Slide cylinders (4) onto long rods (A). Slide decorative rings (D) onto long rods (A) and snap onto cylinders (4).

Step 3



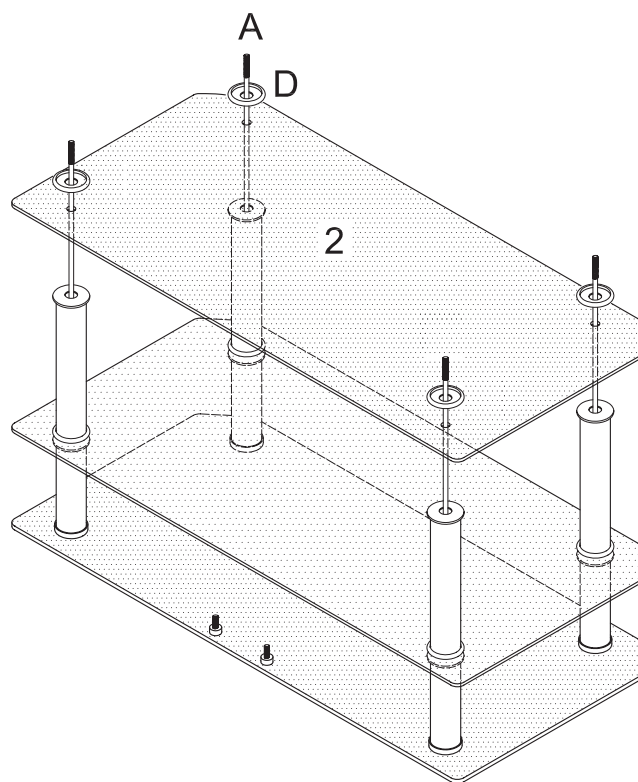
Carefully slide glass (2) into place using long rods (A) as guides. Slide decorative rings (D) onto long rods (A).

Step 4



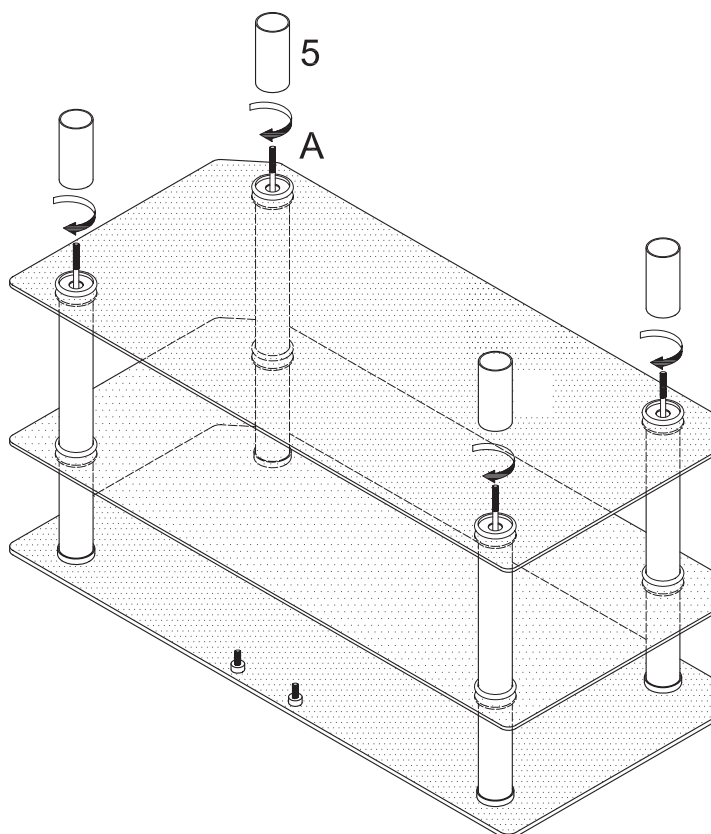
Slide cylinders (3) onto long rods (A). *Cylinders (3) will fit snugly into the decorative rings placed in the previous step.* Slide decorative rings (D) onto long rods (A) and snap onto cylinders (3).

Step 5



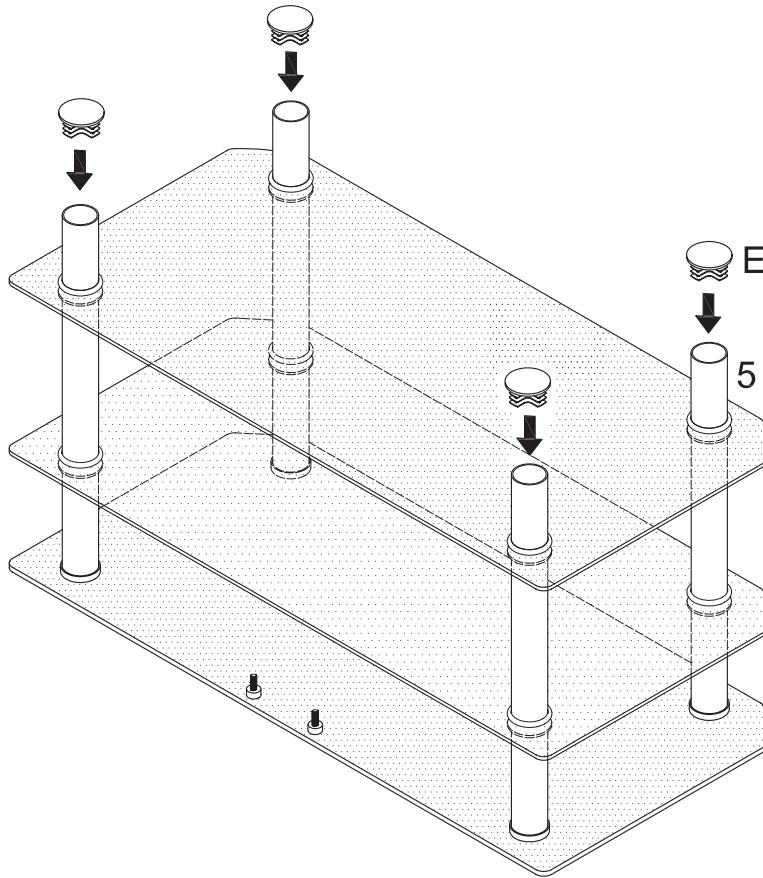
Carefully slide glass (2) into place using long rods (A) as guides. Slide decorative rings (D) onto long rods (A).

Step 6



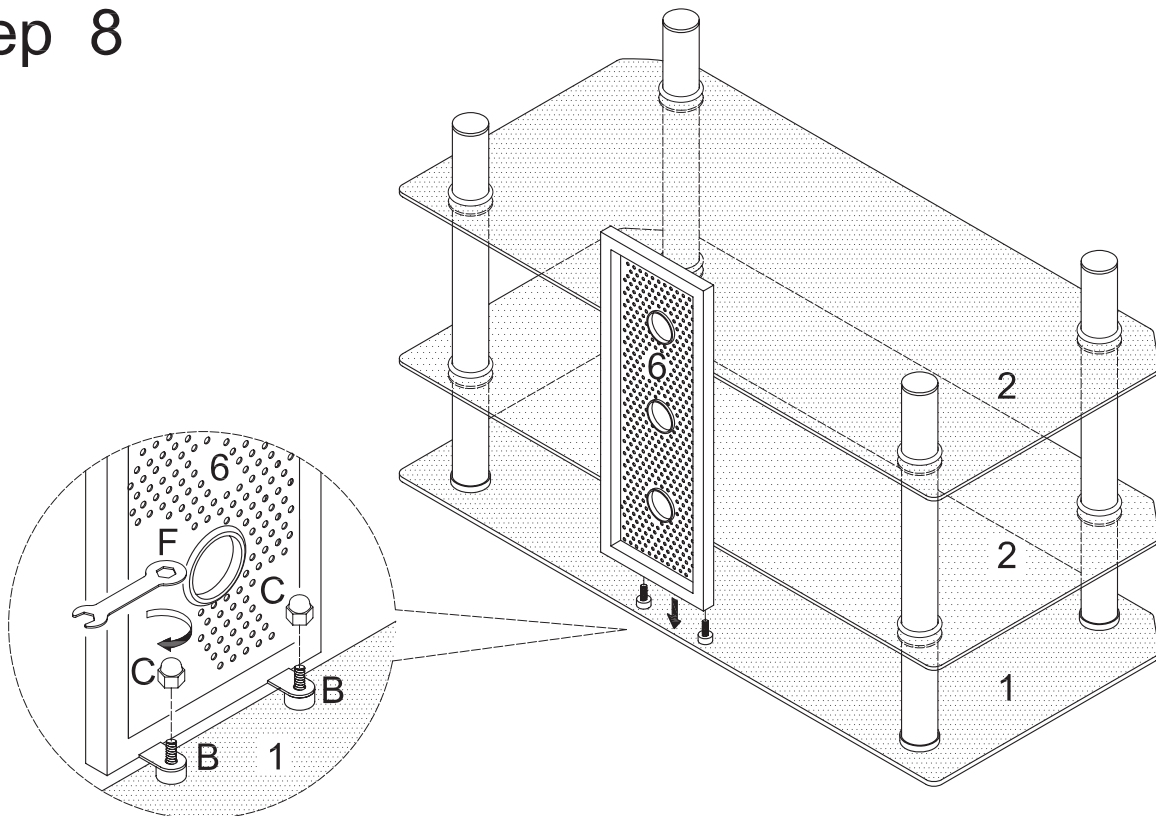
Screw cylinders (5) onto long rods (A). *Cylinders (5) will fit snugly into the decorative rings placed in the previous step.*

Step 7



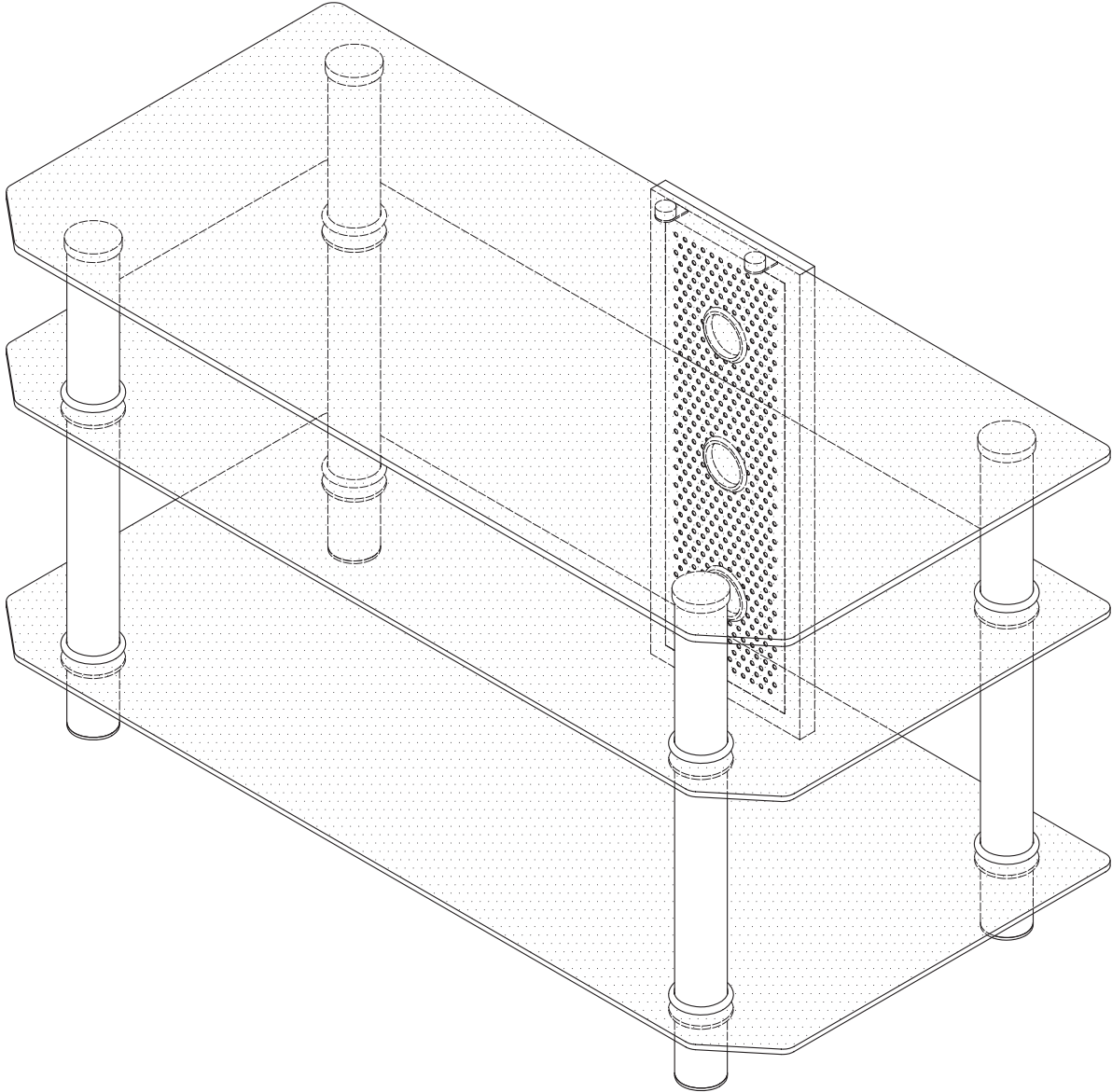
Insert caps (E) into cylinders (5). *Note that caps (E) may be pre-inserted into cylinders (5).*

Step 8



To attach cable management system (6) to the stand, place appropriate holes of cable management system (6) over short rods (B). Screw cap nuts (C) onto short rods (B) and tighten with wrench (F).

Step 9



Final Assembly

Free Manuals Download Website

<http://myh66.com>

<http://usermanuals.us>

<http://www.somanuals.com>

<http://www.4manuals.cc>

<http://www.manual-lib.com>

<http://www.404manual.com>

<http://www.luxmanual.com>

<http://aubethermostatmanual.com>

Golf course search by state

<http://golfingnear.com>

Email search by domain

<http://emailbydomain.com>

Auto manuals search

<http://auto.somanuals.com>

TV manuals search

<http://tv.somanuals.com>