



Installation Instructions for Detachable Face Stereo Systems

CALL TOLL-FREE FOR ANSWERS TO INSTALLATION PROBLEMS

Continental U.S. : 1 - 800 - 645 - 4994
Monday - Friday : 9:00 AM - 7:00 PM Eastern Time
Saturday : 9:00 AM - 5:00 PM Eastern Time

IMPORTANT - RETAIN THIS DOCUMENT FOR FUTURE REFERENCE.

Consignes d'Installation des Systèmes Stéréo avec Panneau Avant Amovible

APPELEZ LE NUMERO VERT POUR TOUTE QUESTION CONCERNANT L'INSTALLATION

Territoire Continental Des E.U. : 1 - 800 - 645 - 4994
Lundi au Vendredi : 9 H - 19 H Heure de la Côte Est
Samedi : 9 H - 17 H Heure de la Côte Est

IMPORTANT - CONSERVER CE DOCUMENT POUR TOUTE REFERENCE ULTERIEURE.

Instrucciones para la Instalación de Sistemas Estereofónicos con Panel Delantero Desmontable

LLAME SIN CARGO PARA FORMULAR PREGUNTAS SOBRE PROBLEMAS DE INSTALACION

Territorio Continental De EE.UU. : 1 - 800 - 645 - 4994
Lunes a Viernes : 9:00 AM - 7:00 PM Zona Horaria del Este
Sabados : 9:00 AM - 5:00 PM Zona Horaria del Este

IMPORTANTE - GUARDE ESTAS INSTRUCCIONES PARA CONSULTARLAS EN EL FUTURO.

INSTALLATION INSTRUCTIONS

UNIVERSAL INSTALLATION PROCEDURE USING MOUNTING SLEEVE

This unit is designed to fit into a standard DIN dashboard opening of 182 x 52 mm, common in many cars, trucks and vans. If your car does not have an existing opening of this size, it will be necessary to cut or file an opening to these dimensions. The rear side (without the lip) of the mounting sleeve may be used as a template to cut the required opening.

In some cases, a special installation or adaptor kit may be required to properly mount the unit. These kits are available at electronics stores and car stereo specialist shops. Always check the application before purchasing to be certain that it works with your vehicle. For assistance or answers to installation problems, call Audiovox toll-free at 1-800-645-4994 (Continental U.S. only, 9:00 AM-7:00 PM Eastern Time Monday-Friday, 9:00 AM-5:00 PM Saturday, Holidays excluded), or consult with your local car stereo specialist shop.

1. Remove the detachable front panel if it is attached to the chassis by pushing the "Release" button. Slide the mounting sleeve off of the chassis. If it is locked into position, use the removal tools (supplied) to disengage it.
2. Check the dashboard opening size by sliding the mounting sleeve into it. If the opening is not large enough, carefully cut or file as necessary until the sleeve easily slides into the opening. Do not force the sleeve into the opening or cause it to bend or bow.
3. Check that there will be sufficient space behind the dashboard for the radio chassis.
4. In most installations, it is more convenient to complete the wiring before mounting the radio in the dashboard. Follow the wiring diagram carefully and make certain all connections of the wiring harness are secure and insulated with wire nuts or electrical tape to insure proper operation of the unit. After completing the wiring connections, plug the 9-pin and 4-pin connectors into the mating sockets on the rear of the chassis, attach the front panel, and turn the unit on to confirm operation (ignition switch must be "on"). If unit does not operate, re-check all wiring until problem is corrected. Once proper operation is achieved, turn off the ignition switch, and proceed with final mounting of the chassis.
5. Carefully slide the radio into the mounting sleeve making sure it is right-side-up until it is fully seated and the spring clips lock it into place.
6. Locate the series of bend tabs along the top, bottom, and sides of the mounting sleeve. With the sleeve fully inserted into the dashboard opening, bend as many of the tabs outward as necessary so that the sleeve is firmly secured to the dashboard.
7. Thread and tighten the supplied screw stud to the mating hole on the rear of the chassis. Place the radio in front of the dashboard opening so that the wiring (9-pin and 4-pin connectors, antenna lead, RCA leads if used, etc.) can be brought through the mounting sleeve and plugged into the respective sockets on the rear of the chassis.
8. Carefully slide the radio into the mounting sleeve making sure it is right-side-up until it is fully seated and the spring clips lock it into place.
9. Attach one end of the perforated support strap (supplied) to the screw stud using the hex nut provided. Fasten the other end of the perforated strap to a secure part of the dashboard either above or below the radio using the screw and hex nut provided. Bend the strap to position it as necessary.

CAUTION: The rear of the radio must be supported with the strap to prevent damage to the dashboard from the weight of the radio or improper operation due to vibration.

10. Re-attach the front panel to the chassis and test radio operation by referring to the Operating Instructions for the unit.

REMOVING THE RADIO FROM MOUNTING SLEEVE INSTALLATIONS

1. Should it be necessary to remove the radio for servicing or other reasons, first remove the detachable front panel and trim ring..
2. Remove the rear support strap by taking off the hex nut securing it to the screw stud on the rear of the chassis.
3. Use the removal tools (supplied) to disengage the side spring clips and pull the radio out of the mounting sleeve.

INSTALLATION USING KITS

1. If your vehicle requires the use of an installation kit to mount this radio, follow the instructions included with the installation kit to attach the radio to the mounting plate supplied with the kit.
2. Wire and test the radio as described in Step 4, Universal Installation procedure.
3. Install the radio/mounting plate assembly to the sub-dashboard according to the instructions of the installation kit.
4. Attach the support strap to the radio and dashboard as described in Step 6, Universal Installation procedure.
5. Replace the dashboard trim panel.

ISO INSTALLATION PROCEDURE

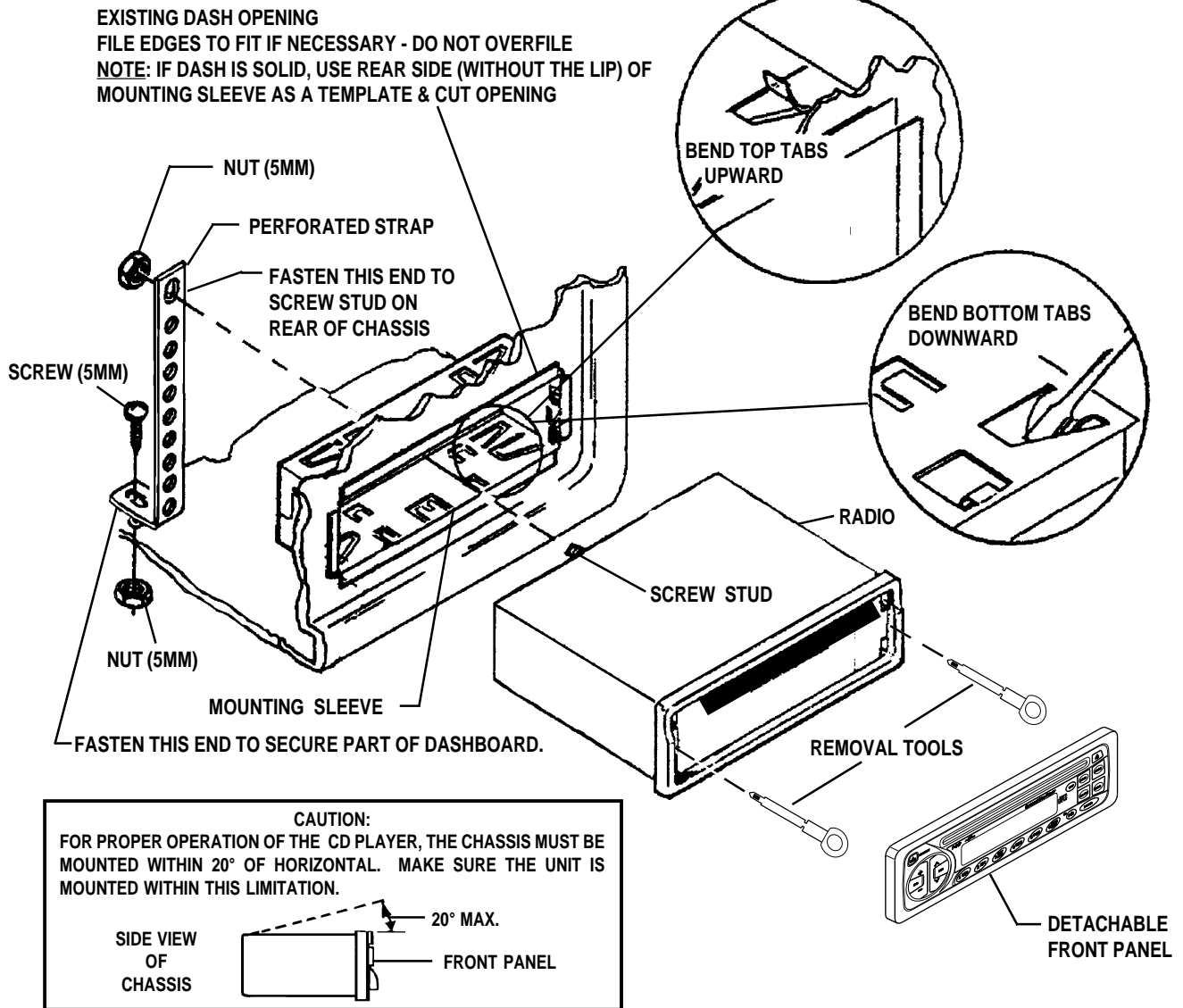
This unit has threaded holes in the chassis side panels which may be used with the original factory mounting brackets of some Toyota, Nissan, Mitsubishi, Isuzu, Hyundai and Honda vehicles to mount the radio to the dashboard. Please consult with your local car stereo specialist shop for assistance on this type of installation.

1. Remove the existing factory radio from its dashboard or center console mounting. Save all hardware and brackets as they will be used to mount the new radio.
2. Carefully un-snap the plastic frame from the front of the new radio chassis. Remove and discard the frame.
3. Remove the factory mounting brackets and hardware from the existing radio and attach them to the new radio.

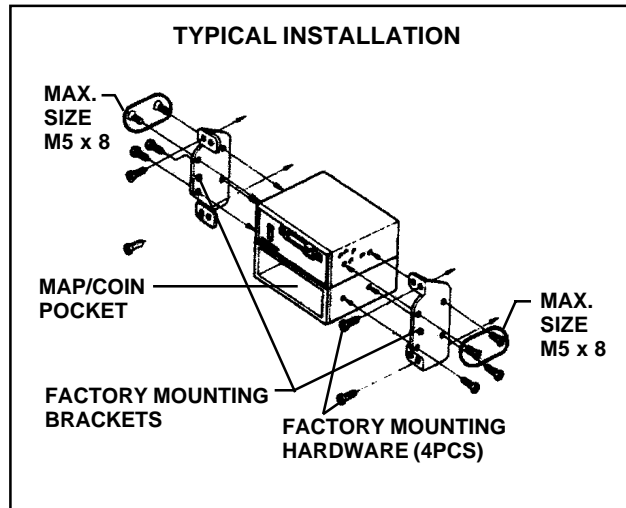
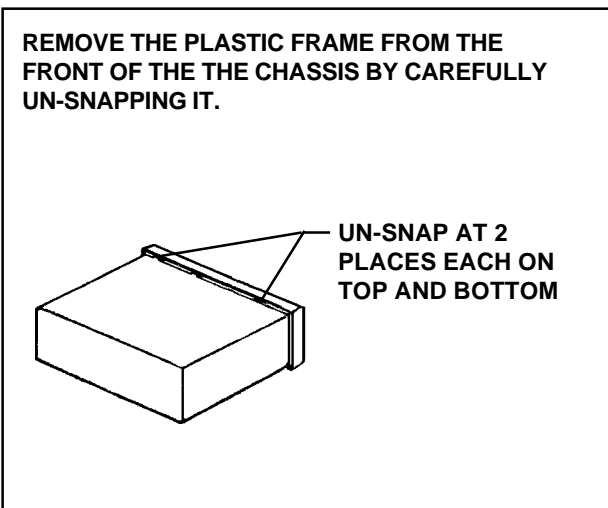
CAUTION: DO NOT EXCEED M5 X 8 MM MAXIMUM SCREW SIZE. LONGER SCREWS MAY TOUCH AND DAMAGE COMPONENTS INSIDE THE CHASSIS. DEPENDING ON YOUR VEHICLE, YOU MAY BE REQUIRED TO USE M5 X 8 MM OR M4 X 7 MM SCREWS. BOTH SIZES ARE PROVIDED FOR THE INSTALLATION.

4. Wire the new radio to the vehicle as per Step 4, Universal Installation procedure.
5. Mount the new radio assembly to the dashboard or center console using the reverse procedure of step 1 above.

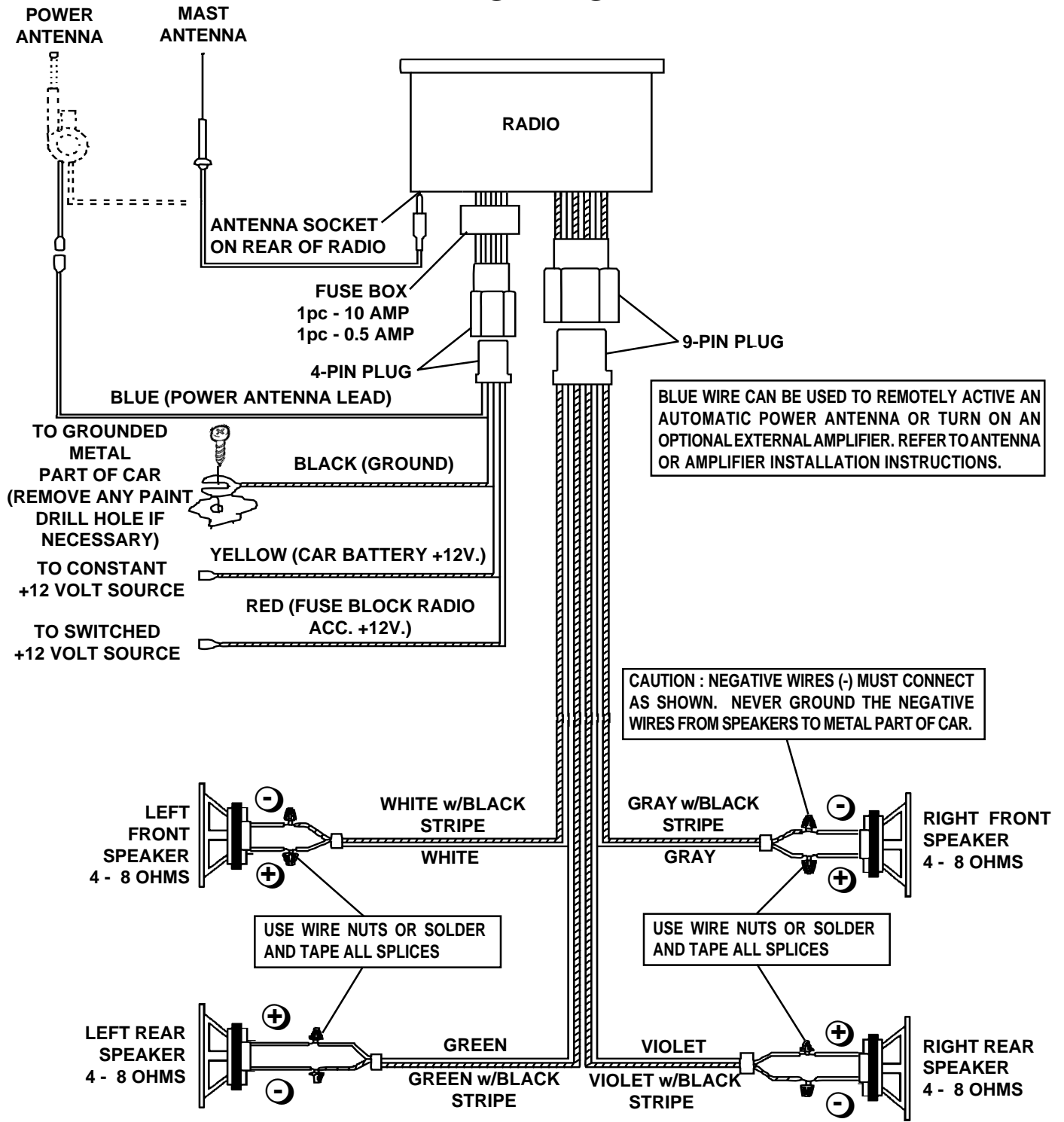
UNIVERSAL INSTALLATION USING MOUNTING SLEEVE



ISO INSTALLATION



WIRING DIAGRAM



CAUTION!

- THE AMPLIFIERS IN THIS RADIO ARE ONLY DESIGNED FOR USE WITH 4 SPEAKERS.
- NEVER COMBINE (BRIDGE) OUTPUTS FOR USE WITH 2 SPEAKERS.
- NEVER GROUND NEGATIVE SPEAKER LEADS TO CHASSIS GROUND.
- FAILURE TO WIRE CORRECTLY MAY CAUSE DAMAGE TO THE RADIO.

Free Manuals Download Website

<http://myh66.com>

<http://usermanuals.us>

<http://www.somanuals.com>

<http://www.4manuals.cc>

<http://www.manual-lib.com>

<http://www.404manual.com>

<http://www.luxmanual.com>

<http://aubethermostatmanual.com>

Golf course search by state

<http://golfingnear.com>

Email search by domain

<http://emailbydomain.com>

Auto manuals search

<http://auto.somanuals.com>

TV manuals search

<http://tv.somanuals.com>