

AQUA-LEISURE® SIMPLE-SET™ POOLS

EASY-CLEAN FILTER PUMP SYSTEM

USER MANUAL

MODEL SA-3766

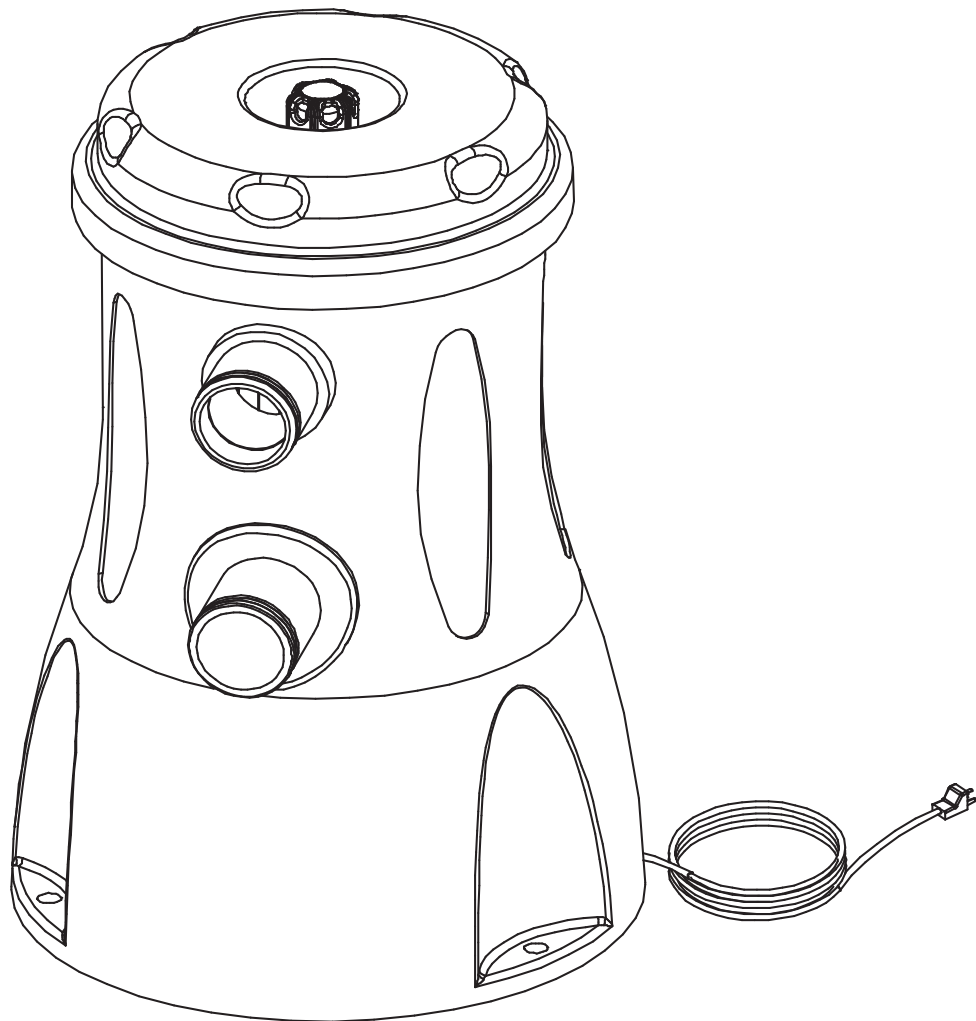


Table of contents

Introduction -----	2
Safety Instructions -----	3
Parts Listing & Illustration -----	4+5
Installation Instructions -----	6
Installation Illustrations -----	7
Operations -----	8
General Maintenance -----	9
Cleaning and Replacement -----	10
Troubleshooting Guide -----	11
Warranty -----	12

Introduction

Congratulations! You are the proud owner of an Aqua-Leisure® Simple-Set™ Pool Easy-Clean Filter Pump System.

This filter pump system has been manufactured to the highest quality standards, and will provide seasons of clean, sparkling-clear water activity in your new Simple-Set™ Pool.

This Simple-Set™ Easy-Clean Filter Pump System Manual will provide you with all of the easy instructions you need to follow in order to set up and operate this state-of-the-art filter pump system efficiently.

In addition to set-up instructions and operational guidelines, we have also included several very important Warning and Caution statements that pertain to the safe use and enjoyment of this new filter pump system. It is very important that you take the time to read them all and share them with any individuals that will ultimately be enjoying the use of your Simple-Set™ Pool.

Please make certain that you read and understand the information contained in this Manual prior to initial use.

Please retain this Manual for future reference.

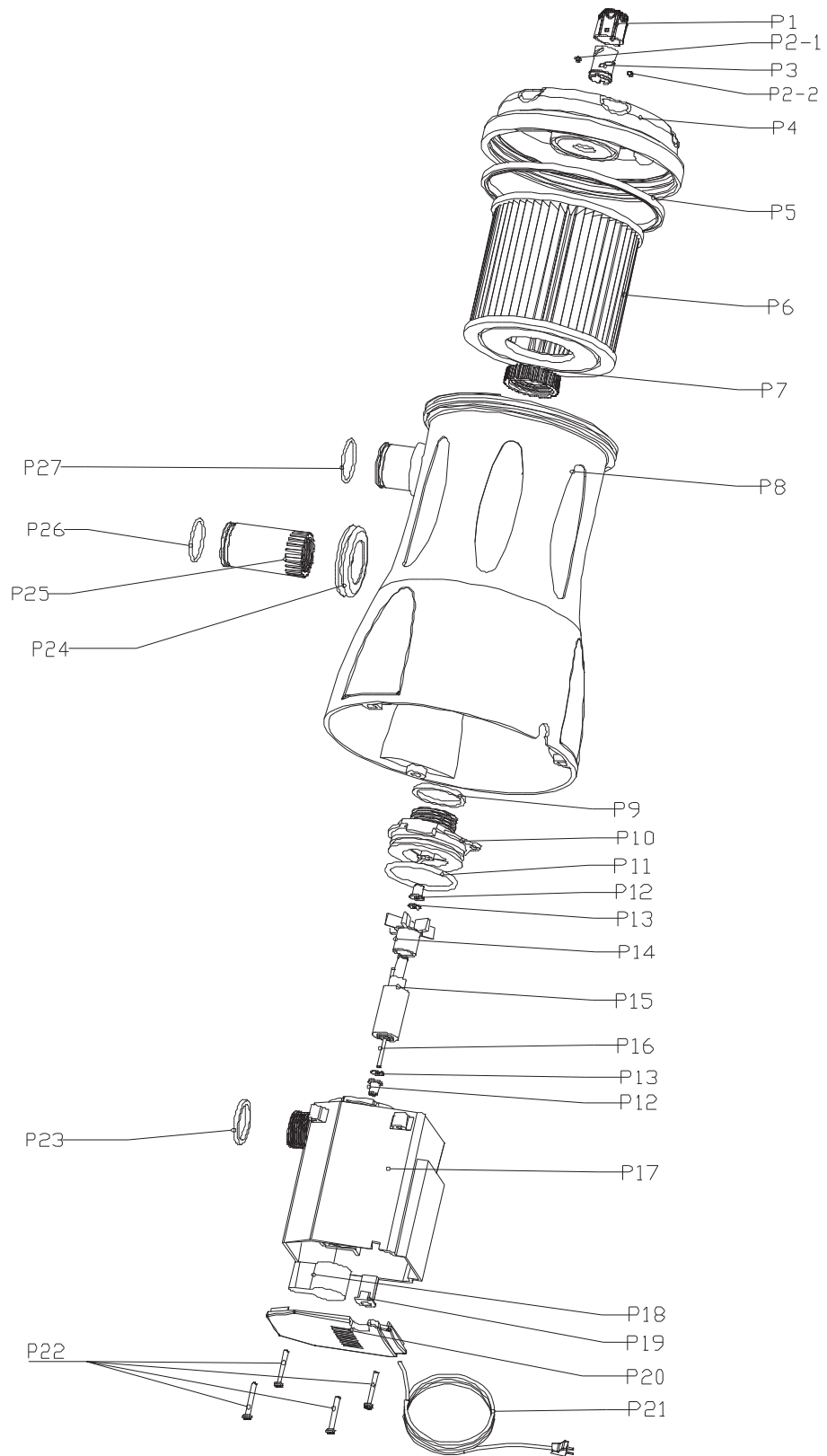
If you should have any questions regarding set-up and operation of your Easy-Clean filter pump system, you can easily reach our customer service Toll-Free (in the U.S.A.) number during the business hours of 8:00AM to 5:30PM EST.

Safety Instructions

The following important points should be read and understood prior to use:

1. **WARNING** To prevent possible electric shock, do not attempt to plug in power cord with wet hands or while standing in water.
2. **WARNING** To prevent possible electric shock, connect power cord into a grounded receptacle protected by a ground-fault circuit interrupter (GFCI).
3. **WARNING** To prevent possible electric shock, never use a damaged or frayed power cord.
4. **WARNING** This filter pump is not intended for use by children. Adult assembly and operation required.
5. **WARNING** Do not bury the power cord. Locate it where it will not be damaged by lawn mowers, hedge trimmers or other equipment.
6. **WARNING** Do not use extension power cords with this product.
7. **WARNING** Make certain before each use of pump that all clamps are tightened and that all hoses are connected properly..
8. **WARNING** Do not use this filter pump to vacuum pool.
9. **WARNING** This filter pump is designed for use only with storable pools. It must not be used with permanently installed pools.

SA-3766

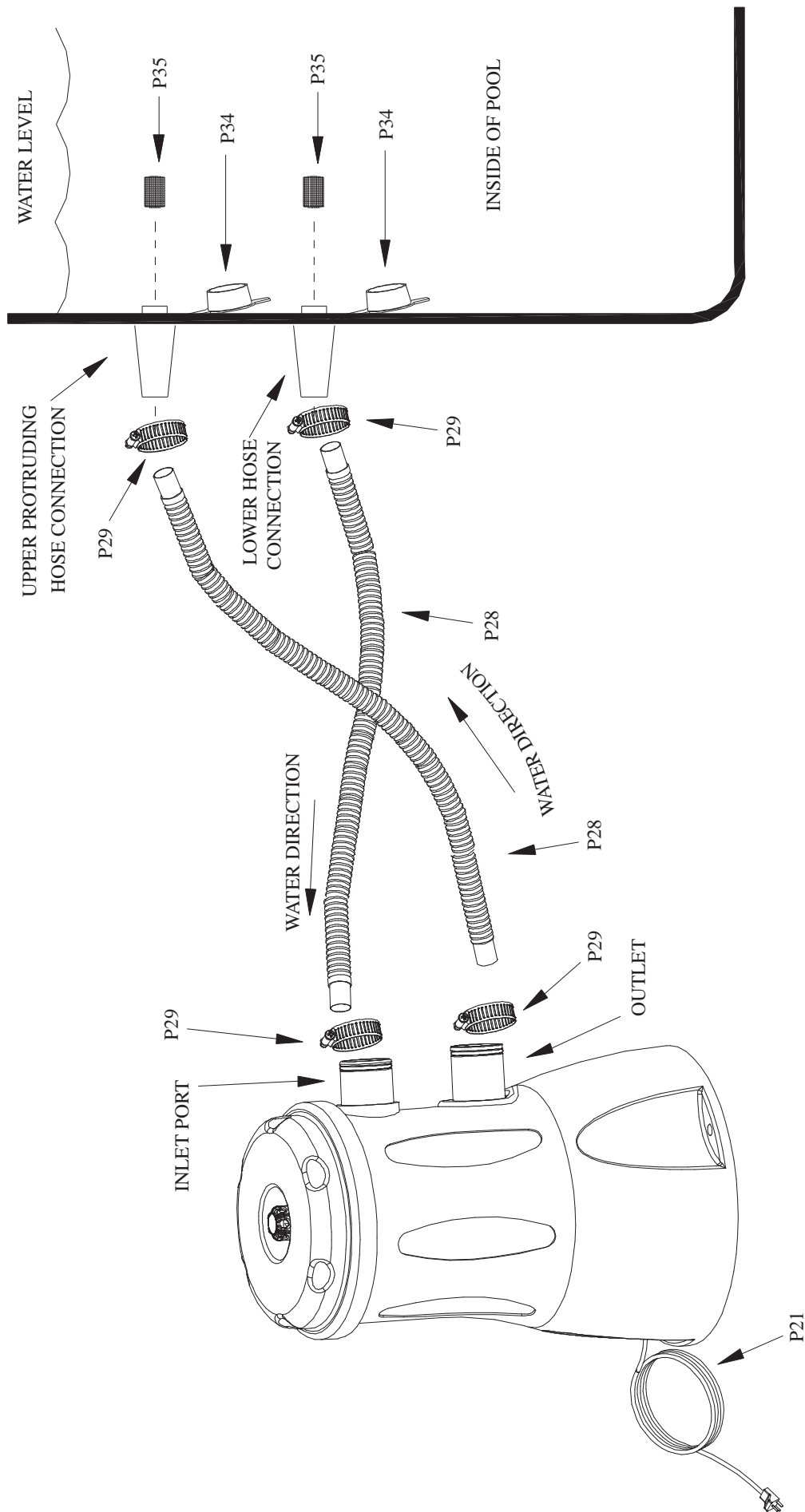


ITEM NO	ITEM DESCRIPTION	QTY
P1	Air valve cover	1
P2-1,P2-2	Air valve pin	2
P3	Air valve screw	1
P4	Filter chamber cover	1
P5	Filter chamber rubber gasket	1
P6	Filter	1
P7	Pump chamber end cover nut	1
P8	Body	1
P9	Pump chamber end cover sealing flat gasket	1
P10	Pump chamber end cover	1
P11	Pump chamber end cover sealing	1
P12	Rubber shaft base	2
P13	Plastic ring	2
P14	Impeller	1
P15	Magnet rotor	1
P16	Motor shaft	1
P17	Pump body and motor stator assembly	1
P18	Water valve	1
P19	Wire cover	1
P20	Pump top cover	1
P21	Power cable	1
P22	Water pump fix screw (M4x30x4)	4
P23	Outlet flat gasket	1
P24	Outlet rubber ring	1
P25	Outlet pipe	1
P26	Outlet O ring	1
P27	Inlet O ring	1
P28	Connector Hose	2
P29	Metal Hose Clamp	4

Installation Instructions

1. Prior to set-up and installation of filter pump, you must first set up the Simple-Set™ Pool and fill it completely with water, exactly following the Simple-Set™ Pool Manual instructions for pool set-up.
2. For optimal filter pump performance, position the filter pump unit at least 8 inches below the highest water level in the pool.
3. Keep the position of the filter pump unit at least 2 feet away from the sidewall of the pool itself.
4. Place clean filter cartridge (P6) into the body of the filter pump (P8).
5. Make certain that the filter chamber rubber gasket (P5) is placed in seal groove at top of filter pump body (P8).
6. Screw on filter chamber cover (P4) onto top of the body of filter pump (P8) in a clockwise direction by hand until it is secure.
7. Connect one end of hose (P28) to Inlet (upper) port of pump using one hoseclamp (P29).
8. Tighten hoseclamp securely with screwdriver.
9. Connect other end of hose (P28) lower protruding hose fixture on wall of pool, using one hoseclamp (P29).
10. Tighten hoseclamp securely with screwdriver. (Be careful to stay away from sidewall/liner when using screwdriver).
11. Connect one end of second hose (P28) to Outlet (lower) port of pump using one hoseclamp (P29).
12. Tighten hoseclamp with screwdriver.
13. Connect other end of second hose (P28) to upper protruding hose fixture on wall of pool, using one hoseclamp (P29).
14. Tighten hoseclamp securely with screwdriver.
15. Open both wall plug caps (P34) on the inside of the pool and plug in a strainer (P35) for each.
16. Allow time for filter pump chamber to fill with water. Never operate the filter pump dry.
17. Connect electrical power cord (P21) into a grounded receptacle protected by a ground-fault circuit interrupter (GFCI). Please contact a qualified electrician for verification purposes and/or installation of a GFCI receptacle if necessary.

INSTALLATION ILLUSTRATION



(ILLUSTRATION NOT TO SCALE)

Operating Instructions

1. The filter pump will prime itself as long as it is positioned at least 8 inches below the highest water level in the pool. If for some reason an airlock occurs, there is a relief valve located on the top of the pump. Simply turn the valve knob counter-clockwise, and when a small amount of water escapes, close immediately by turning clockwise. The pump will now be completely primed.
2. Never operate the filter pump dry. This can cause damage to seals which may result in leakage and/or flooding.
3. Prior to each use, check to ensure that all hoseclamps are tightened.
4. Prior to each use, check to ensure that both inside wall plug caps (P34) are open and strainers (P35) have been installed properly.
5. To prevent possible electric shock, do not attempt to plug in electrical power cord with wet hands or while standing in water.
6. The filter pump must operate in the upright, vertical position.
7. The filter pump must be positioned on level, stable ground, and the use of a riser or elevated platform is not recommended.
8. Once you have confirmed that steps 1 thru 7 has been satisfactorily completed, turn on the pump by plugging its electrical cord into a ground fault circuit interrupter outlet.
9. To preserve the full life of the pump and to keep the pool filtered properly, your SA3766 pump should be run approximately 4 to 6 hours per day (Remember to not operate your pump while there are bathers in the pool).
10. Overuse may cause overheating and /or motor burnout. Use good judgement on extremely hot days and be mindful of running the filter pump continuously for an extended period of time.

General Maintenance

1. To avoid dangerous or fatal electrical shock hazard, always disconnect power to the unit before attempting to clean pump.
2. There is no need for any regular mechanical maintenance on the pump unit. (Do not attempt to disassemble the pump motor at any time.)
3. If necessary, clean outside of pump with a mild detergent and water, rinsing off with a hose.
4. There is no need for the use of any lubricants on the pump.
5. Do not use solvents to clean the filter cartridge, as they will cause damage to the plastic components inside of the pump.

Cleaning and Replacement

1. As a general rule, the filter cartridge in your pump filter system should be replaced approximately once per month. This will vary depending on usage hours by bathers, number of bathers, and the amount of time the filter system is run without bathers on a daily basis.
2. In between replacing filter cartridges, periodically cleaning of your filter cartridge can enhance the effectiveness of your filter pump and moderately prolong the cartridge's lifespan prior to replacement.
3. In order to clean your filter cartridge, you must first disconnect power to the unit in order to avoid dangerous or fatal electric shock hazard.
4. Remove the Strainers (P35) inside of the pool, and close the caps of the pool Wall Plugs (P34).
5. Turn the Air Valve Cover (P1) in a counter-clockwise direction to release the air suction inside.
6. Remove the Filter Chamber Cover (P4) of filter pump in a counter-clockwise direction.
7. Remove the filter chamber Rubber Gasket (P5).
8. Take out the filter cartridge (P6).
9. Clean the filter cartridge with a garden hose using a direct powerful waterspray.
10. If the filter cartridge cannot be cleaned effectively in this manner, it is time to replace it with a new cartridge.
11. Your clean (or new) cartridge can now be put back into the filter chamber and you can refer to the installation instructions on page 6 to re-assemble the filter pump unit.

Trouble Shooting Guide

1. PUMP DOES NOT OPERATE
 - A. Check to make sure pump unit power cord is plugged into GFCI outlet properly.
 - B. Check GFCI for proper operation according to GFCI manufacturer's instructions.
 - C. Check for blown fuses or tripped circuit breakers.
 - D. Check to see if motor is too hot, this may cause overload and shutdown.
 - E. Contact the toll-free customer service number for assistance.
2. MOTOR RUNS, BUT DOES NOT PUMP WATER OR WATERFLOW IS TOO SLOW
 - A. Check for possible obstructions inside of intake hose or discharge hose inside of pool wall.
 - B. Tighten all hoseclamps.
 - C. Check all hoses for possible damage.
 - D. Clean or replace filter cartridge.
 - E. Contact the toll-free customer service number for assistance.
3. PUMP LOSES PRIME
 - A. Make sure there are no leaks in connection hoses.
 - B. Clean or replace filter cartridge.
 - C. Contact the toll-free customer service number for assistance.
4. FILTER DOESN'T CLEAN POOL
 - A. Check pH and chlorine level in pool, following the instructions of your local pool supply retailer.
 - B. Clean or replace cartridge.
 - C. Check for holes in cartridge. Replace if necessary.
 - D. Try running filter pump for a longer period of time each day.
 - E. Clean the debris (that may have gathered) away from strainer screen at pool wall.
 - F. Contact the toll-free customer service number for assistance.

LIMITED WARRANTY

Aqua-Leisure® Simple-Set™ Filter Pumps

ATTENTION CUSTOMER - Please read this statement carefully and keep your original store receipt along with this warranty certificate at all times. Your receipt is required as proof of purchase and to verify the length of your pool ownership.

Aqua-Leisure® Industries, Inc. warrants all filter pump units against defects in materials and workmanship under normal use and service for a period of 1 year from the date of purchase for the original owner only. If the filter pump unit or electric cord has been replaced, consumer-damaged or misused, the warranty is invalidated. In this situation, you will be advised of the cost of replacement parts or a new pump and processing instructions.

Should a question arise, you should visit our website at www.aqualeisure.com to see if a simple solution to your problem is already available to you. **For immediate assistance regarding a warranty claim or question, please contact our customer service department. The number and address is listed below.** If a verifiable manufacturing defect is found during the relevant time period, Aqua-Leisure® Industries agrees to repair or replace at its option any Filter Pump under warranty provided proper proof of purchase is presented.

This limited warranty is not valid if the filter pump is used for commercial purposes, or if the damage is caused by an accident, an act of God, consumer neglect or abuse, vandalism, improper use of chemicals, misuse, exposure to extreme weather conditions, or negligence during set up or disassembly.

Aqua-Leisure® Industries, Inc. cannot be held responsible for the cost of installation (including water), labor, or transportation expenses incurred due to the replacement of defective parts. This limited warranty, furthermore, does not cover any unauthorized alterations to the filter pumps itself.

Aqua-Leisure® Industries, Inc.

P.O. Box 239 Avon, MA 02322

Tele: 1-866-807-3998 (toll free U.S.A.)

Fax: (508) 587-4320

Customer Service Hours: 8:00 am to 5:30 pm E.S.T.

Monday thru Friday

Free Manuals Download Website

<http://myh66.com>

<http://usermanuals.us>

<http://www.somanuals.com>

<http://www.4manuals.cc>

<http://www.manual-lib.com>

<http://www.404manual.com>

<http://www.luxmanual.com>

<http://aubethermostatmanual.com>

Golf course search by state

<http://golfingnear.com>

Email search by domain

<http://emailbydomain.com>

Auto manuals search

<http://auto.somanuals.com>

TV manuals search

<http://tv.somanuals.com>