

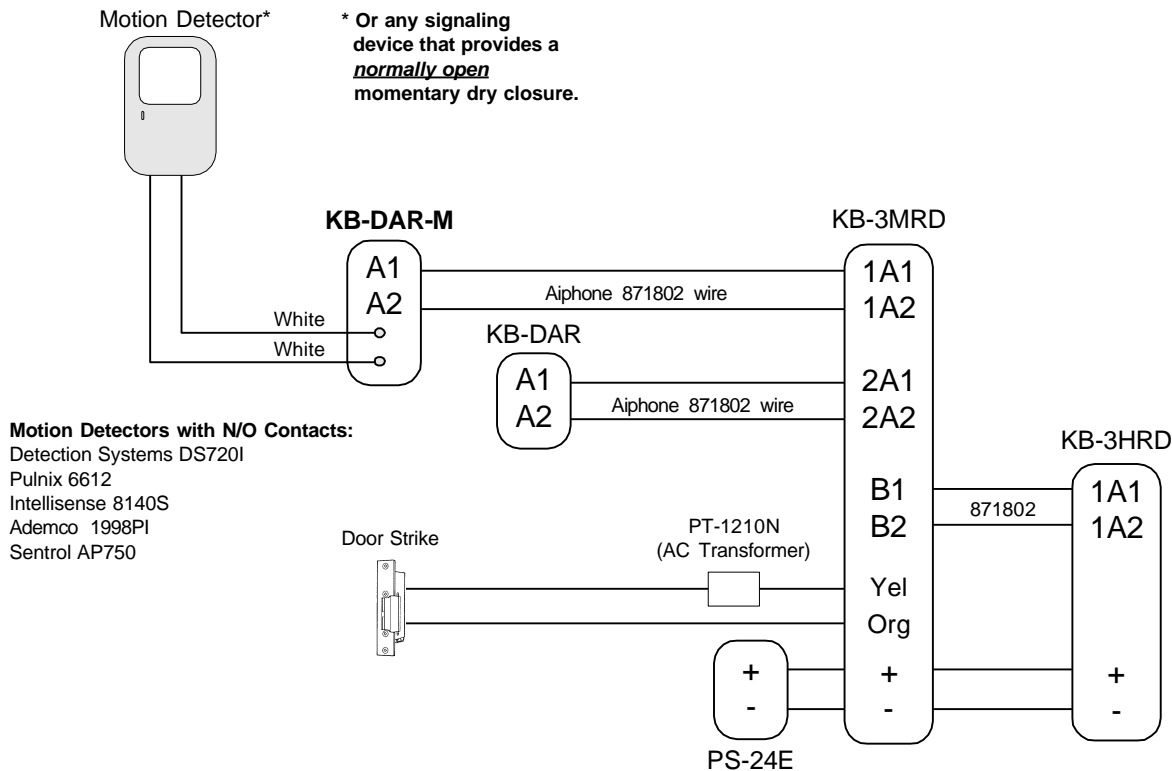
KB-DAR-M

KB-DAR Modified for Motion Detector Interface

- INSTRUCTIONS -

The KB-DAR-M allows any standard motion detector or activation device with a normally open contact to be interfaced with the KB-3MRD Video System. When the motion detector is tripped, the camera will turn on and a chime will be heard at the inside monitor station(s), indicating that there is some activity near the door station location.

WIRING DIAGRAM:



Installation Guidelines:

1. The motion detector must provide a normally open momentary contact. A Photoelectric beam, pressure pad, or remote call button can also be used to activate the video door station.
2. The KB-DAR-M works with the KB system only. Standard KB-DAR's can be used in the same system if they are not interfaced with a remote activation device.

Note:

Only information concerning the use of the KB-DAR-M is shown here. For complete system installation, please refer to the instruction manuals included with the video system.

Aiphone Communication Systems
 1700 130th Ave. N.E.
 Bellevue, WA 98005
 (425) 455-0510
 FAX (425) 455-0071

TOLL FREE TECHNICAL SUPPORT:
 (800) 692-0200
TOLL FREE FAX LINE:
 (800) 832-3765
 E-MAIL: tech-serv@aiPHONE.com

KB-DAR-M Instr.
 0102bkjd

Free Manuals Download Website

<http://myh66.com>

<http://usermanuals.us>

<http://www.somanuals.com>

<http://www.4manuals.cc>

<http://www.manual-lib.com>

<http://www.404manual.com>

<http://www.luxmanual.com>

<http://aubethermostatmanual.com>

Golf course search by state

<http://golfingnear.com>

Email search by domain

<http://emailbydomain.com>

Auto manuals search

<http://auto.somanuals.com>

TV manuals search

<http://tv.somanuals.com>