

# Air King<sup>®</sup>

## Ventilation Products

### SPECIFICATIONS

# AK965

### EXHAUST FANS

**70 CFM/3.5 SONES @ 0.10" wg.**  
**HVI CERTIFIED 120 Volts, 14.2 amps, 60 hz.**

- **Grill**

White, polymeric grill (flame retardant ABS UL rated 94-5V) secured in place using 2 philips head screws easily removed if necessary, dimensions - 17<sup>1</sup>/<sub>8</sub>" x 9<sup>7</sup>/<sub>8</sub>".

- **Light Lens**

Moonstone glass lens, installed in a flip down lens holder. Secured in place using integral tabs.

- **Blower Wheels**

Heater blower wheel - one piece metal electronically balanced, 3<sup>11</sup>/<sub>16</sub>" x 2" with 28 fins.

Ventilation blower wheel - one piece polymeric electronically balanced, 3<sup>7</sup>/<sub>8</sub>" x 2<sup>1</sup>/<sub>2</sub>" with 21 fins.

- **Motors**

Heater motor - Heavy duty, plug in 2 pole motor. Life time lubrication, thermally protected.  
 Rated 120 volts, 60 hz., 0.90 amps., 2400 rpm.

Ventilation motor - Heavy duty, plug in 2 pole motor. Life time lubrication, thermally protected.  
 Rated 120 volts, 60 hz., 0.90 amps.

- **Heater Housing**

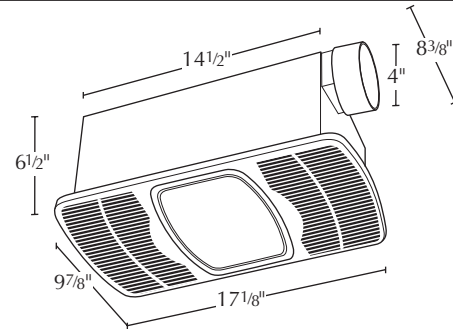
23 gauge galvanized steel housing.  
 Dimensions 14<sup>1</sup>/<sub>2</sub>" x 8<sup>3</sup>/<sub>8</sub>" x 6<sup>1</sup>/<sub>2</sub>".

- **Heating Element**

Wire coil, secured in place by ceramic "J" shaped hooks and terminated by bolt and nut in cylindrical standoffs. Housed in an all metal enclosure. Rated 1500 watts - 5120 Btu.

- **Duct Collar**

4" round, zinc plated metal collar adapter with aluminum backdraft damper.



### CUL/HVI - TYPE IC RATED

- **Ventilating Area**

For bathrooms up to 70 sq. ft. For other rooms up to 85 sq. ft.

- **Lamping Information**

Main Lighting: 100 watt maximum, type A19, Medium base bulb  
 Night Lighting: 7 watt maximum, type C7, Candelabra base bulb

- **Unit Mounting**

Designed for ceilings insulated to R-40. Designed to mount in ceilings with at least 7.5" of clearance. The unit will mount between joists (with 16" centers) or butted up against a joist. The housing will mount through drywall thickness up to 3/4", with a rough in opening of 14<sup>3</sup>/<sub>4</sub>" x 8<sup>5</sup>/<sub>8</sub>".

- **Single Pack Shipping Info**

Box Dim: 19" x 13<sup>3</sup>/<sub>8</sub>" x 8<sup>7</sup>/<sub>8</sub>"  
 UPC: 0-8316229510-1  
 Shipping Weight: 15 lbs.

### PERFORMANCE

	Static Pressure (inches of w.g.)								HVI Sones @ .1 SP	Fan Speed RPM	Power Watts
	0	0.05	0.1	0.125	0.15	0.2	0.25	0.3			
<b>Air Flow - CFM</b>											

<b>PROJECT</b>							<b>ARCHITECT</b>				
<b>LOCATION</b>							<b>ENGINEER</b>				
<b>CONTRACTOR</b>							<b>SUBMITTED BY</b>			<b>DATE</b>	
FAN NUMBER	MODEL NUMBER	CFM	IN W.G.	RPM	WATTS	AMPS	SONES	QTY	OPTIONAL EQUIPMENT & REMARKS		



**U.S.:** 820 Lincoln Drive  
 West Chester, Pennsylvania 19380-4466  
 Tel: (877)-304-3785  
 Fax: (610) 696-8048

**Canada:** 110 Glidden Road  
 Brampton, Ontario L6T 2J3  
 Tel: (905) 456-2033  
 Fax: (905) 456-1015

## Free Manuals Download Website

<http://myh66.com>

<http://usermanuals.us>

<http://www.somanuals.com>

<http://www.4manuals.cc>

<http://www.manual-lib.com>

<http://www.404manual.com>

<http://www.luxmanual.com>

<http://aubethermostatmanual.com>

Golf course search by state

<http://golfingnear.com>

Email search by domain

<http://emailbydomain.com>

Auto manuals search

<http://auto.somanuals.com>

TV manuals search

<http://tv.somanuals.com>