



H A Harman International Company

C 5900^M

EMOTION | TriPOWER Condenser Microphone

Description

The AKG Model C 5900^M is a rugged, premium-quality supercardioid condenser microphone intended for on-stage vocal and instrument pickup. Its supercardioid pickup pattern is uniform with frequency and its response has been specially-tailored at mid and high frequencies to deliver excellent on-stage vocal applications. A switchable 6 dB sensitivity boost and 12 dB-per-octave bass cut below 100 Hz. provides flexibility in dealing with various input sensitivities and proximity effect. The C 5900^M's condenser capsule is shock mounted with a unique rubber spider suspension and is protected by a dent-resistant, easily-removable wire mesh grille. The grille also has an internal pop filter to minimize plosives and wind noise. The smooth triangular shape of the microphone handle and its soft-touch finish makes it easy to hold. The lightweight body is die-cast zinc alloy and has a dark matte black finish for minimum reflection and glare. The C 5900^M can be powered by phantom power from 9 - 52 volts or with the optional AKG B 15 battery adaptor.

Specifications

Transducer type:	Prepolarized backplate condenser
Frequency response:	20 - 20 kHz
Polar pattern:	Supercardioid
Power requirements:	9 - 52 Vdc
Impedance:	200 ohms
Recommended load impedance:	>2000 ohms
Output connector:	XLR-M
Sensitivity:	6 mV/Pa; -44 dB (re 1 V/Pa)
Switchable bass roll-off:	6 dB/octave
Switchable bass cut:	12 dB/octave
Sound pressure level for 1% (3%) THD:	139 dB SPL (142 dB SPL)
Environmental operation:	
Temperature:	-10°C to +65°C
Maximum relative humidity at +20°C:	90%
Size:	Maximum diameter: 2.1 in. (53 mm) 7.4 in. length (187.5 mm)
Net weight:	10.2 oz. (290 g)
Shipping weight:	2.2 lb. (970 g)
Accessories included:	SA 61 stand adapter, hard-shell case
Optional accessories:	W 23 foam windscreen B15 battery adaptor



Features

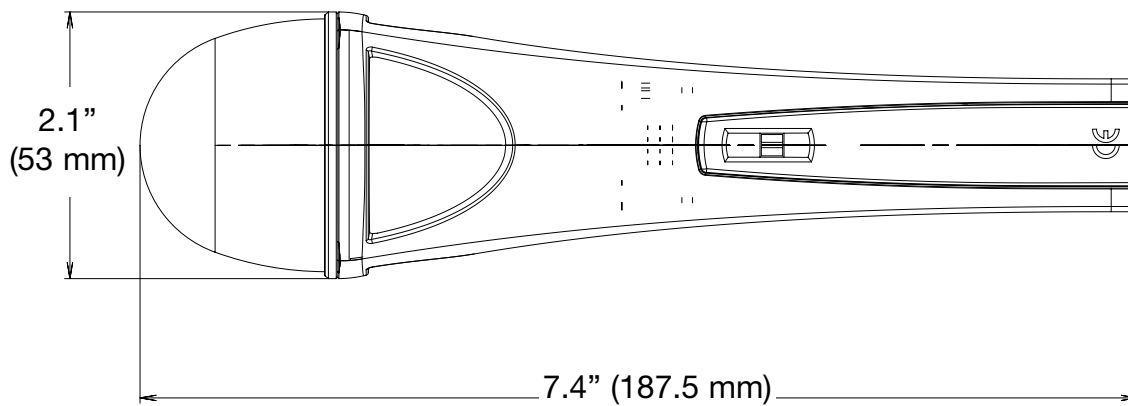
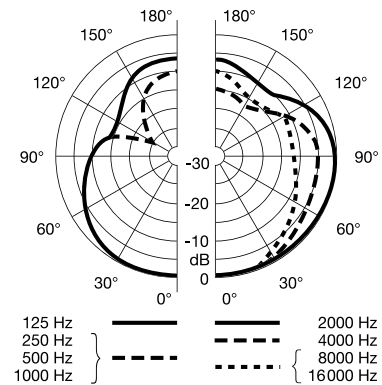
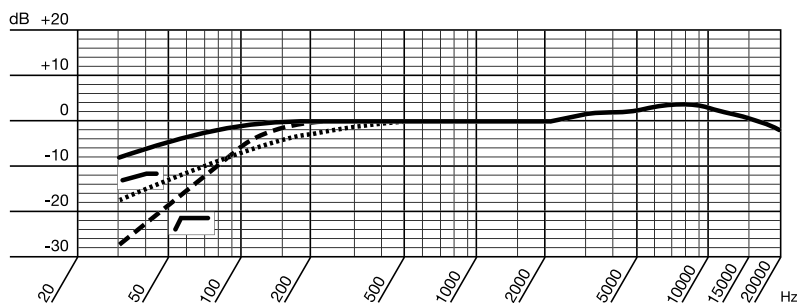
- **Broad high frequency rise (4 dB) delivers added presence and detail**
- **Supercardioid pickup pattern for excellent rejection of feedback**
- **Switchable low-frequency cut**
- **Internal elastic suspension for reduced handling noise**
- **Lightweight die-cast metal body with soft-touch dark matte finish**
- **Dent-resistant grille assembly with integral foam pop filter**
- **Universal phantom powering**
- **Shipped in metal hard-shell road case with SA-61 unbreakable stand adaptor**

Architects and Engineers Specifications

The microphone shall be a backplate condenser type with a supercardioid pickup pattern. Sensitivity shall be no less than 6 mV/Pa and the maximum operating level for 3% THD shall be no less than 149 dB SPL. The maximum diameter of the microphone shall be no greater than 2.1 in., and the microphone length shall be no greater than 7.4 in. The microphone's net weight shall be no greater than 9.8 oz. The microphone shall operate on phantom

powering over the range from 9 to 52 Vdc. The microphone shall include the following low frequency options: switchable bass roll-off of 6 dB/octave and switchable bass cut of 12 dB/octave. The microphone shall be capable of being converted to a UHF wireless with the addition of the AKG TM 40 module. The microphone shall be the AKG Acoustics Model C 5900^M.

Graphical Data



Limited Warranty

AKG Acoustics warrants AKG products against defects in material or workmanship for a period of two years from the date of original purchase made on or after January 1, 2002, and agrees to repair or, at our option, replace any defective unit without charge for either parts or labor. AKG Acoustics grants a three-year warranty covering material and labor for the following condenser microphones purchased on or after July 1, 2003, including the C 12VR, C414B-ULS, C 414B-TLII, C 426B, Solidtube; C 4500B-BC; C 4000B; C 3000B; C 451B; C 2000B; C 1000S, the C 480B and the Ultra-Linear Series capsules (CK 61, CK 62, CK 63, CK 69), the SE 300B

and Blue Line capsules (CK 91, CK 92, CK 93, CK 94, CK 98). This warranty is valid for AKG products purchased within the United States for the original purchaser only. The purchaser's Bill of Sale will serve as proof of sales and warranty validity in the U.S. Shipment of defective items to AKG for repair will be at the customer's own risk and expense. AKG will assume the return shipping cost for all items repaired under warranty.

IMPORTANT: This warranty does not cover damage resulting from accident, misuse or abuse, lack of reasonable care, the affixing of any attachment not provided with the product, loss of parts, or connecting the product to any receptacle other than specified.

Microphones · Headphones · Wireless Microphones · Wireless Headphones · Headsets



H A Harman International Company

AKG Acoustics GmbH

Lemböckgasse 21-25, P.O.B. 158, A-1230
Vienna/AUSTRIA
Tel: (43 1) 86 654-0*, Fax: (43 1) 86 654-516
Internet: <http://www.ake.com>

AKG ACOUSTICS, U.S.

914 Airpark Center Drive
Nashville, TN 37217, U.S.A.
Tel: (615) 620-3800, Fax: (615) 620-3875
Internet: <http://www.akeusa.com>

Studer Japan Ltd.

2-43-7, Uehara, Shibuya-ku, Tokyo 151-0064/JAPAN
Tel: (813) 3465-2211, Fax: (813) 3465-2214

Erikson Pro Audio

620 McCaffrey, St-Laurent, Quebec, H4T 1N1, CANADA
Tel: (514) 738-3000, Fax: (514) 737-5069
Internet: www.jam-ind.com/eriksonpro

AKG is constantly improving and modifying its products, therefore, specifications are subject to change without notice.

Free Manuals Download Website

<http://myh66.com>

<http://usermanuals.us>

<http://www.somanuals.com>

<http://www.4manuals.cc>

<http://www.manual-lib.com>

<http://www.404manual.com>

<http://www.luxmanual.com>

<http://aubethermostatmanual.com>

Golf course search by state

<http://golfingnear.com>

Email search by domain

<http://emailbydomain.com>

Auto manuals search

<http://auto.somanuals.com>

TV manuals search

<http://tv.somanuals.com>