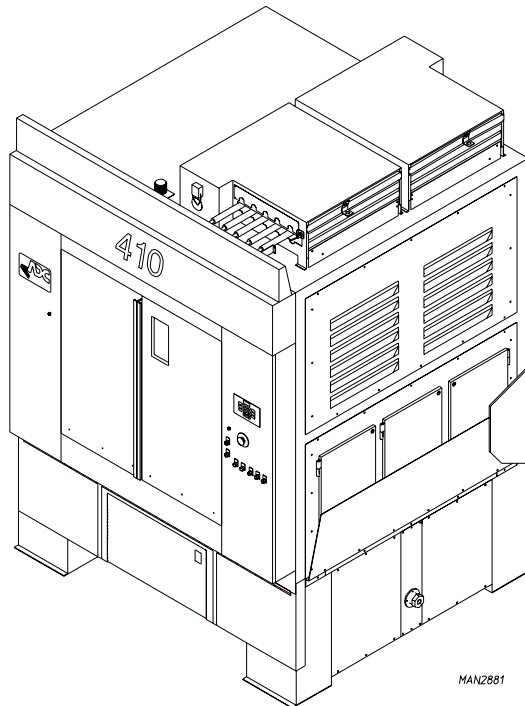




ADG-410



MAN2881

Parts Manual

1995 thru 1998

American Dryer Corporation
88 Currant Road
Fall River, MA 02720-4781
Telephone: (508) 678-9010 / Fax: (508) 678-9447
E-mail: techsupport@amdry.com

082896
021898WL/tf

ADC Part No. 450166

Retain This Manual In A Safe Place For Future Reference

American Dryer Corporation products embody advanced concepts in engineering, design, and safety. If this product is properly maintained, it will provide many years of safe, efficient, and trouble-free operation.

ONLY properly licensed technicians should service this equipment.

OBSERVE ALL SAFETY PRECAUTIONS displayed on the equipment or specified in the installation/operator's manual included with the dryer.

WARNING: UNDER NO CIRCUMSTANCES should the door switch or the heat circuit devices ever be disabled.

WARNING: The dryer must never be operated with any of the back guards, outer tops, or service panels removed. PERSONAL INJURY or FIRE COULD RESULT.

We have tried to make this manual as complete as possible and hope you will find it useful. ADC reserves the right to make changes from time to time, without notice or obligation, in prices, specifications, colors, and material, and to change or discontinue models.

Important

For your convenience, log the following information:

DATE OF PURCHASE _____ MODEL NO. **ADG-410** _____

DISTRIBUTORS NAME _____

Serial Number(s) _____

Replacement parts can be obtained from your distributor or the ADC factory. When ordering replacement parts from the factory, you can FAX your order to ADC at (508) 678-9447 or telephone your orders directly to the ADC Parts Department at (508) 678-9010. Please specify the dryer **model number** and **serial number** in addition to the **description** and **part number**, so that your order is processed accurately and promptly.

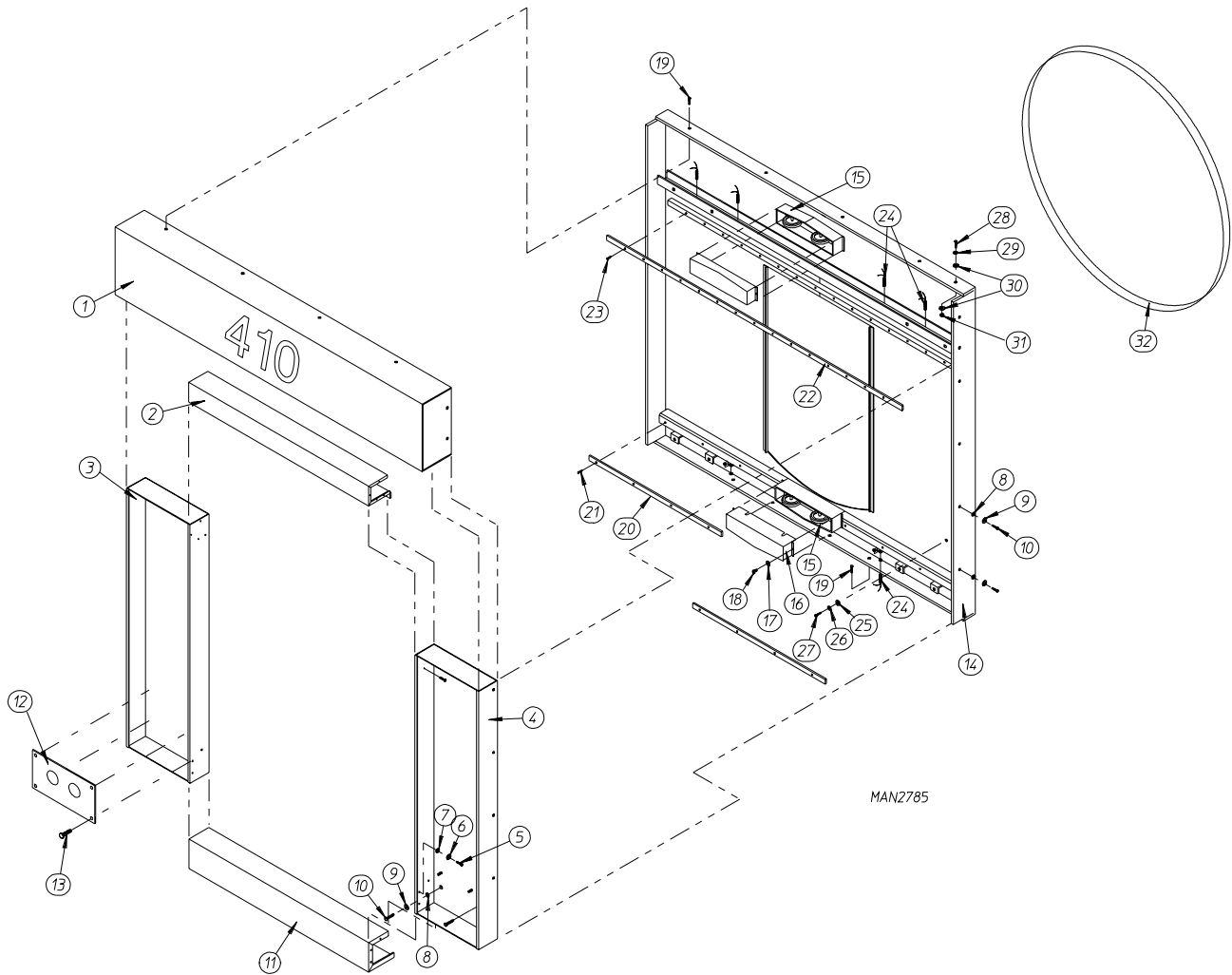
The illustrations on the following pages may not depict your particular dryer exactly. The illustrations are a composite of the various dryer models. Be sure to check the descriptions of the parts thoroughly before ordering.

INSTRUCTIONS TO BE FOLLOWED IN THE EVENT THE USER SMELLS GAS MUST BE POSTED IN A PROMINENT LOCATION. THE INSTRUCTIONS TO BE POSTED SHALL BE OBTAINED FROM THE LOCAL GAS SUPPLIER.

Table of Contents

Front Panel Assembly, Automatic Door	2, 3
Solid Back Panel Assembly	4
Automatic Door Pneumatics Assembly	5
Left Automatic Load Door Assembly	6, 7
Right Automatic Load Door Assembly	8, 9
Right Front Control Door Assembly	10, 11
Left Control Door Assembly	12
Lint Basket Assembly	13
Base Solenoid Junction Box Assembly	14, 15
Sprinkler Option Control Panel Assembly	16, 17
Right Hand Electrical Panel Wireway Channels	18, 19
Top of Right Hand Electrical Panel	
For models mfd. as of August 26, 1997	20, 21
Top of Right Hand Electrical Panel	
For models mfd. prior to August 26, 1997	22, 23
Bottom of Right Hand Electrical Panel	24, 25
All Door, All Tilt, Base Electrical Junction Box Control Panel Assembly	26, 27
Drive Motor Assembly	
For models mfd. as of November 14, 1997	28
Drive Motor Assembly	
For models mfd. prior to November 14, 1997	29
Drive Shaft Assembly	
For models mfd. as of November 14, 1997	30
Drive Shaft Assembly	
For models mfd. prior to November 14, 1997	31
Speed Reducing Idler Shaft Assembly	
For models mfd. prior to November 14, 1997	32, 33
Tumbler and Idler Shaft Assembly	34
Rotational Sensor Assembly Diagram	35
Fan Motor Assembly	36, 37
Temperature Sensor Bracket	38
DSI Module Assembly	39
Front Burner Box Assembly	40, 41
Rear Burner Box Assembly	42, 43
Sail Switch Assembly	44
Air Jet Assembly	45
Gas Piping Assembly	46, 47, 48
Tilt Switch Assembly	49
Tilt Piston Mount Assembly	50
Post Assembly	51
Pneumatic Assembly	
For 1 Automatic Door	52
Pneumatic Assembly	
For 2 Automatic Doors	53
Pneumatic Panel Assembly	
For One-Way Tilt Models	54, 55
Pneumatic Panel Assembly	
For Two-Way Tilt Models	56, 57
Optional Sprinkler Assembly	58, 59
Sprinkler Temperature Probe Junction Box Assembly	60, 61
Steam Coil Assembly	62, 63
Sprinkler Solenoid Assembly	64
Tumbler Retaining Wheel Mount Assembly	65
Guard Assemblies	
For Two-Way Tilt Models	66, 67
Side Panel Assemblies	68, 69
Front Base & Front Top Panel Assemblies	70
End of Cycle Light Assembly	71
Selector Switch, Nameplate, and Mounting Base Chart	72

NOTE: Same assembly used as Rear Panel assembly for Two-Door Models.

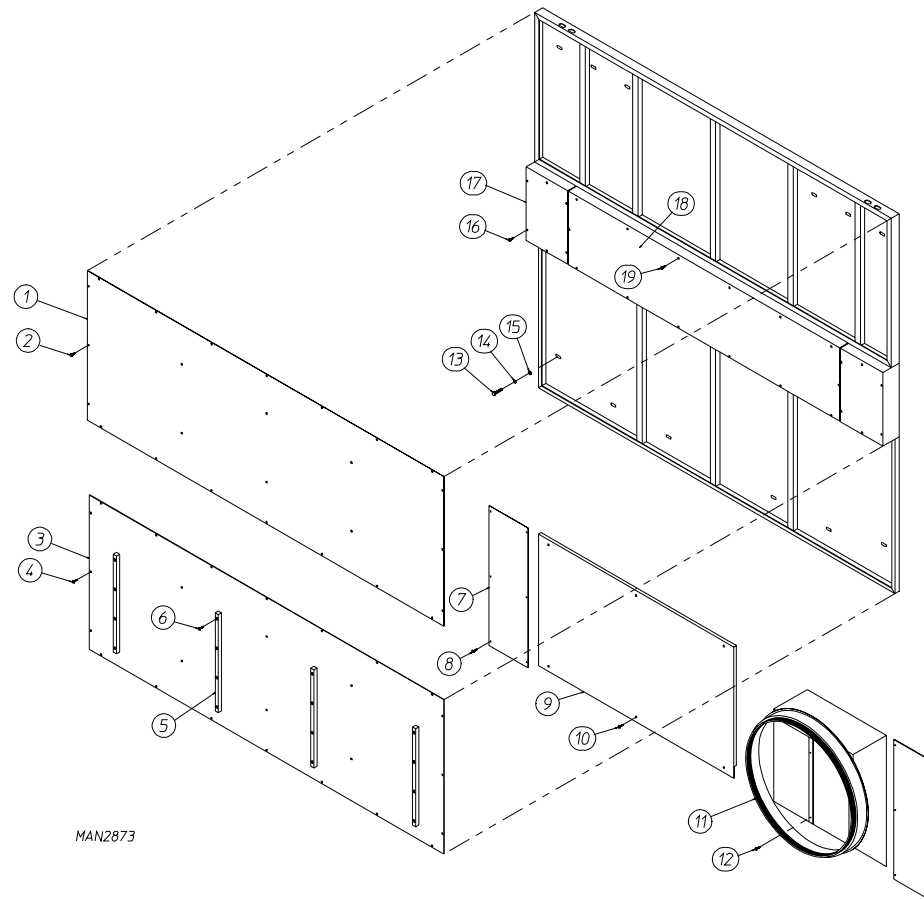


NOTE: Same assembly used as Rear Panel assembly for Two-Door Models.

<u>Illus. No.</u>	<u>Part No.</u>	<u>Qty</u>	<u>Description</u>
1*	814059	1	Upper Guard
2*	814058	1	Middle Guard
3*	881388	1	Left Control Cabinet
4*	881387	1	Right Control Cabinet
5	150510	6	1/4-20 x 3/4" Hex Head Machine Bolt
6	153007	6	1/4" Lock Washer
7	153018	6	1/4" Flat Washer
8	153001	10	5/16" Flat Washer
9	153002	10	5/16" Lock Washer
10	150501	10	5/16-18 x 3/4" Hex Head Machine Bolt
11*	814057	1	Bottom Guard
12	332938	1	Feed Through Plate
13	150309	4	Crimptite Screw
14	881386	1	Front Panel Assembly
15	-----	4	Retaining Wheel Assembly (see page 65)
16	814070	2	Retaining Wheel Cover
17	153018	4	1/4" Flat Washer
18	150309	4	Crimptite Screw
19	150523	10	1/4-20 x 3/4" Hex Washer Head Machine Bolt
20	170362	2	Bottom Door Track
21	154312	14	#10-32 x 3/4" Socket Head Cap Screw
22	170363	1	Upper Door Track
23	154312	16	#10-32 x 3/4" Socket Head Cap Screw
24	821452	4	Door Switch Assembly
25	153004	12	3/8" Flat Washer
26	153005	12	3/8" Lock Washer
27	150617	12	3/8-16 x 1" Hex Head Bolt
28	150605	4	1/2-13 x 1-1/2" Hex Head Bolt
29	153026	4	1/2" Lock Washer
30	153050	8	1/2 x 1/16 Flat Washer
31	152011	4	1/2-13 Hex Nut
32	116009	1	200" x 1-3/8" Felt Tumbler

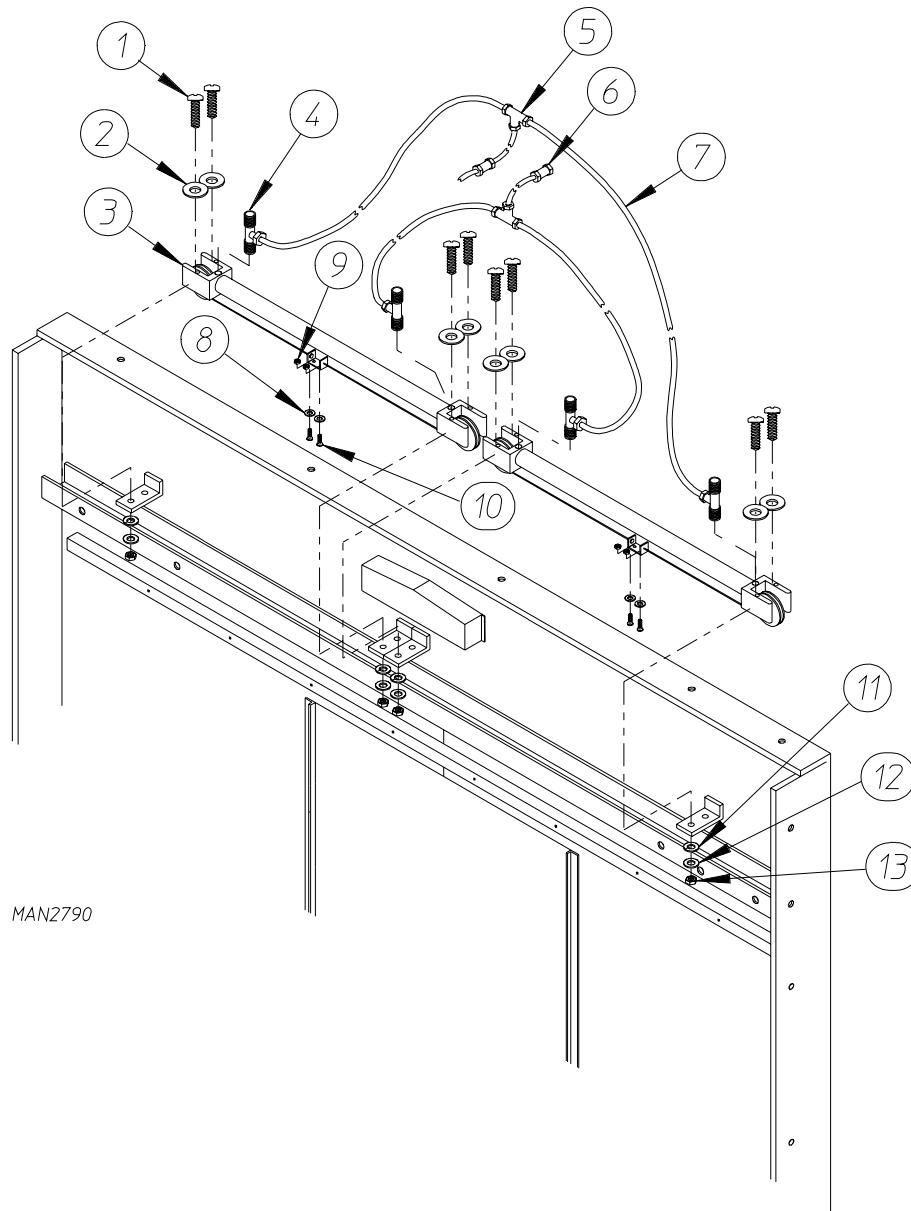
* Specify color when ordering

NOTE: For 1 Door Models



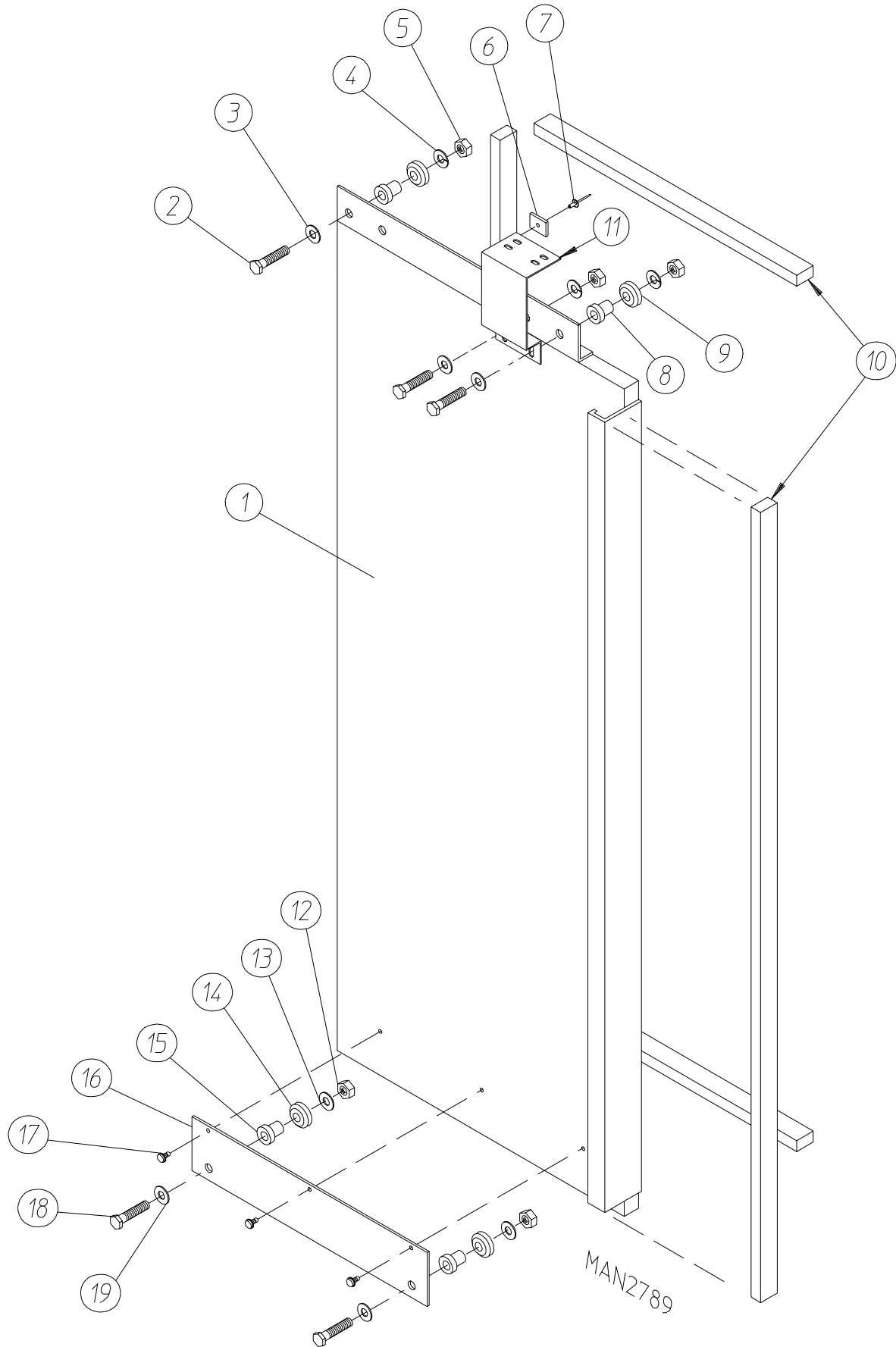
Illus. No.	Part No.	Qty	Description
1*	334615	1	Solid Back Panel Top Cover
2	150522	26	1/4-20 x 1/2" TEK Screw
3*	334616	1	Solid Back Panel Bottom Cover
4	150522	26	1/4-20 x 1/2" TEK Screw
5	170344	4	Nylon Back Guide
6	150311	12	#10 x 3/4" Hex Head Crimptite Screw
7*	334542	2	Piston Cover
8	150309	12	#10-16 x 1/2" Hex Head Crimptite Screw
9*	334541	1	Rear Left Base Panel
10	150522	6	1/4-20 x 1/2" TEK Screw
11*	814069	1	Transition Piece (One Door Dryer ONLY)
12	150522	6	1/4-20 x 1/2" TEK Screw
13	150617	12	3/8-16 x 1" Hex Head Bolt
14	153005	12	3/8" Lock Washer
15	153004	12	3/8" Flat Washer
16	150522	12	1/4-20x 1/2" TEK Screw
17*	334521	2	Solid Back Panel Wheel Cover
18*	334520	1	Solid Back Panel Center Cover
19	150522	14	1/4-20 x 1/2" TEK Screw

* Specify color when ordering



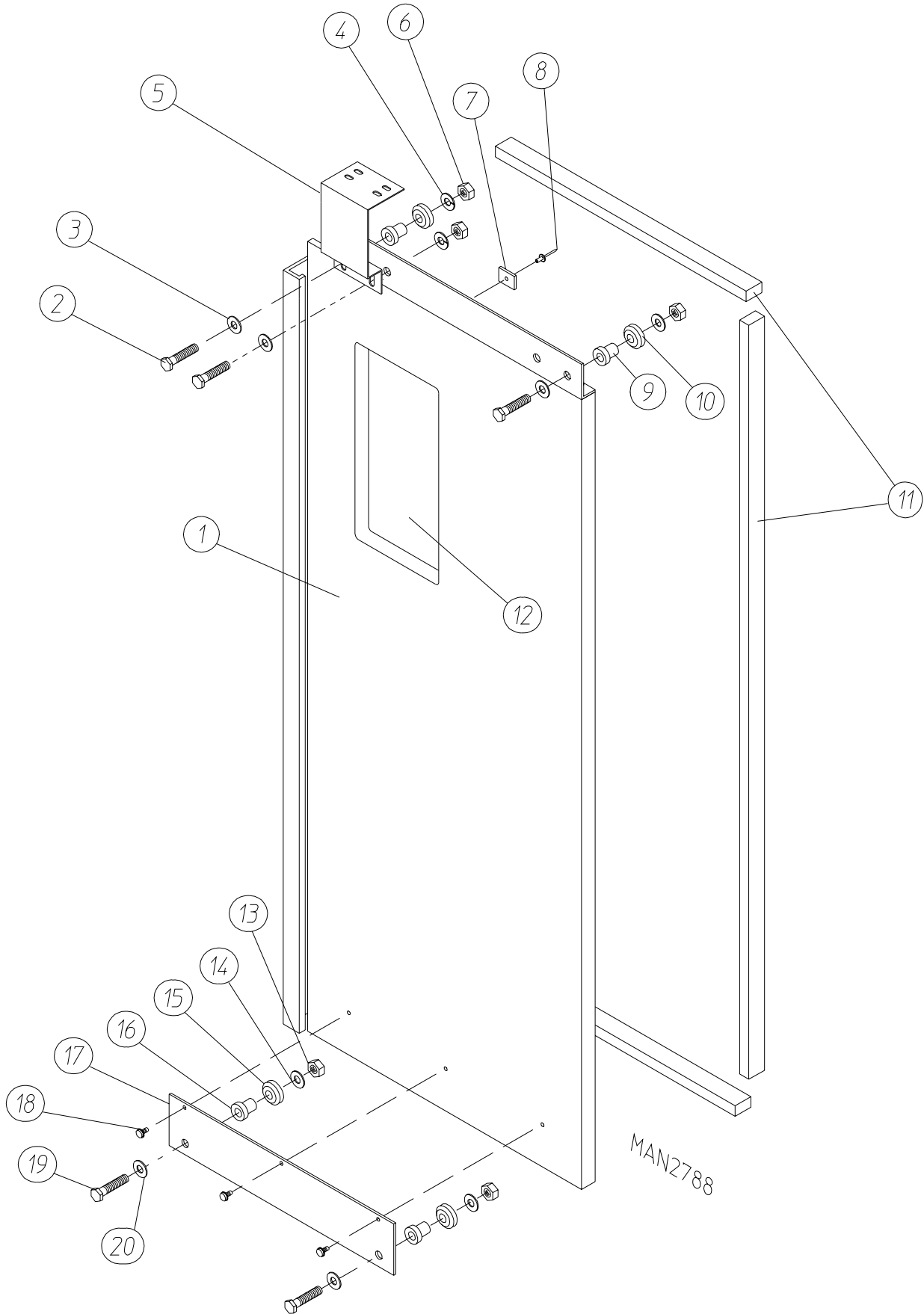
Illus. No.	Part No.	Qty	Description
1	150308	8	#8-32 x 2-1/2" Long Machine Screw
2	153000	8	#8 Flat Washer
3	100432	2	Cable Cylinder
4	128978	4	1/8" NPT x 1/4" Tube Flow Control
5	143156	2	1/4" Poly Tee
6	143154	2	1/4" Brass Poly Connector
7	143110	A/R	1/4" Poly Flo Tubing (sold by the foot)
8	153012	4	#8 Star Washer
9	152001	4	#8-32 Hex Nut
10	150103	4	#8-32 x 3/4" Phillips Head Machine Screw
11	153000	8	#8 Flat Washer
12	153012	8	#8 Star Washer
13	152001	8	#8-32 Hex Nut

A/R - As Required



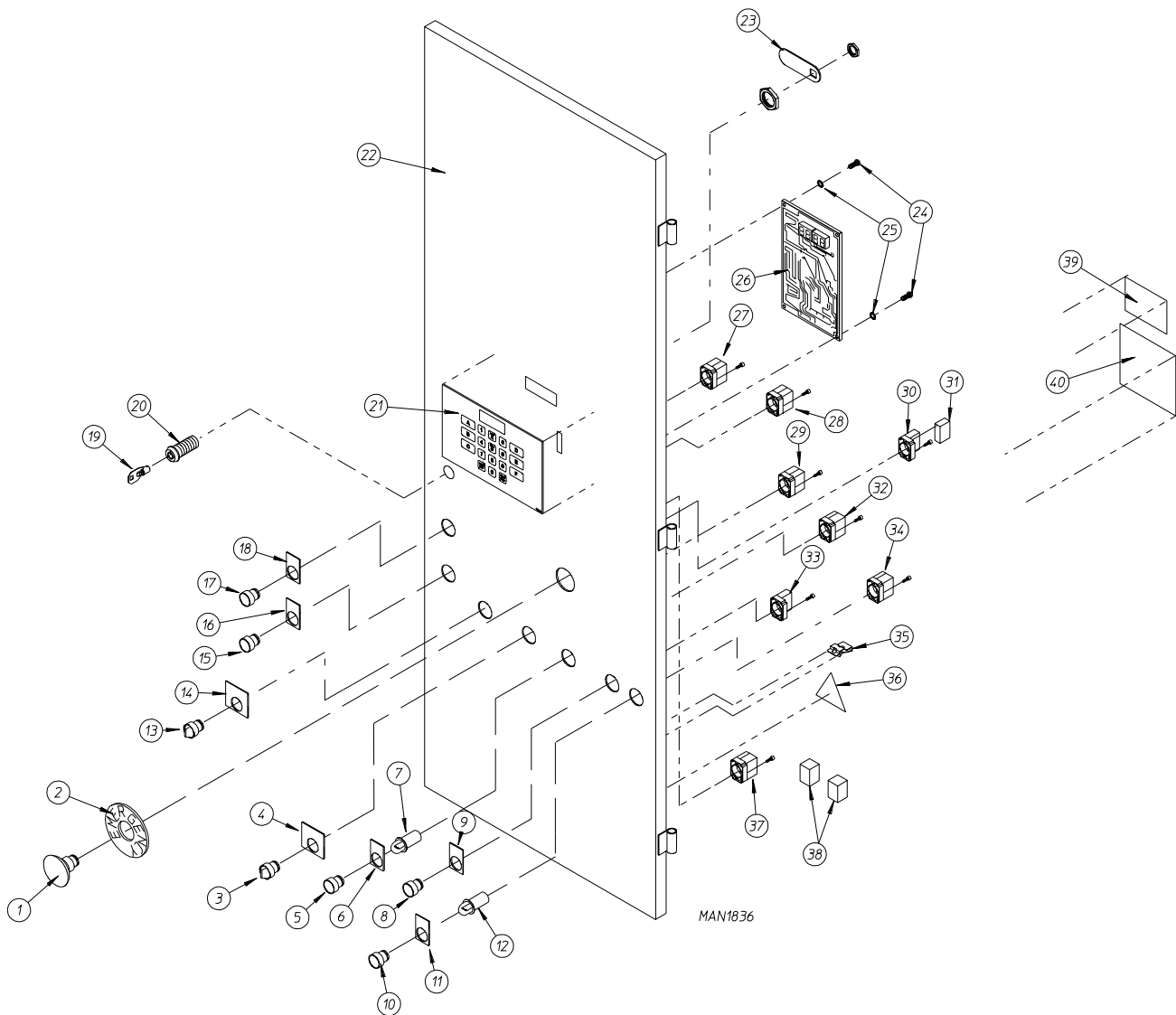
<u>Illus. No.</u>	<u>Part No.</u>	<u>Qty</u>	<u>Description</u>
1*	881392	1	Left Automatic Load Door Assembly Complete (includes illus. nos. 1-11)
	881391	1	Left Automatic Load Door ONLY
2	150112	3	1/4-20 x 1-1/4" Hex Head Machine Screw
3	153018	3	1/4" Flat Washer
4	153007	3	1/4" Lock Washer
5	152002	3	1/4-20 Hex Nut
6	102102	1	Magnet
7	154200	1	5/32" Pop Rivet
8	170367	2	Stainless Steel Stationary Bushing
9	170366	2	Stainless Steel Sealed Wheel
10	115995	80"	Felt Gasket (sold by the inch)
11	334134	1	Automatic Door Bracket
12	152002	2	1/4-20 Hex Nut
13	153007	2	1/4" Lock Washer
14	170366	2	Stainless Steel Sealed Wheel
15	170367	2	Stainless Steel Stationary Bushing
16*	334558	1	Lower Trolley ONLY
17	150301	3	#8-18 x 7/16" Hex Head Machine Screw
18	150112	2	1/4-20 x 1-1/4" Hex Head Machine Screw
19	153018	2	1/4" Flat Washer

* Specify color when ordering



<u>Illus. No.</u>	<u>Part No.</u>	<u>Qty</u>	<u>Description</u>
1*	881390	1	Right Automatic Load Door Assembly Complete (includes illus. nos. 1-12)
	881389	1	Right Automatic Load Door ONLY
2	150112	3	1/4-20 x 1-1/4" Hex Head Machine Screw
3	153018	3	1/4" Flat Washer
4	153007	3	1/4" Lock Washer
5	334134	1	Automatic Door Bracket
6	152002	3	1/4-20 Hex Nut
7	102102	1	Magnet
8	154200	1	5/32" Pop Rivet
9	170367	2	Stainless Steel Stationary Bushing
10	170366	2	Stainless Steel Sealed Wheel
11	115995	80"	Felt Gasket (sold by the inch)
12	102215	1	Glass Window
	170730	1	Glass Adhesive (10.3 oz. Cartridge)
13	152002	2	1/4-20 Hex Nut
14	153007	2	1/4" Lock Washer
15	170366	2	Stainless Steel Sealed Wheel
16	170367	2	Stainless Steel Stationary Bushing
17*	334558	1	Lower Trolley ONLY
18	150301	3	#8-18 x 7/16" Hex Head Machine Screw
19	150112	2	1/4-20 x 1-1/4" Hex Head Machine Screw
20	153018	2	1/4" Flat Washer

* Specify color when ordering



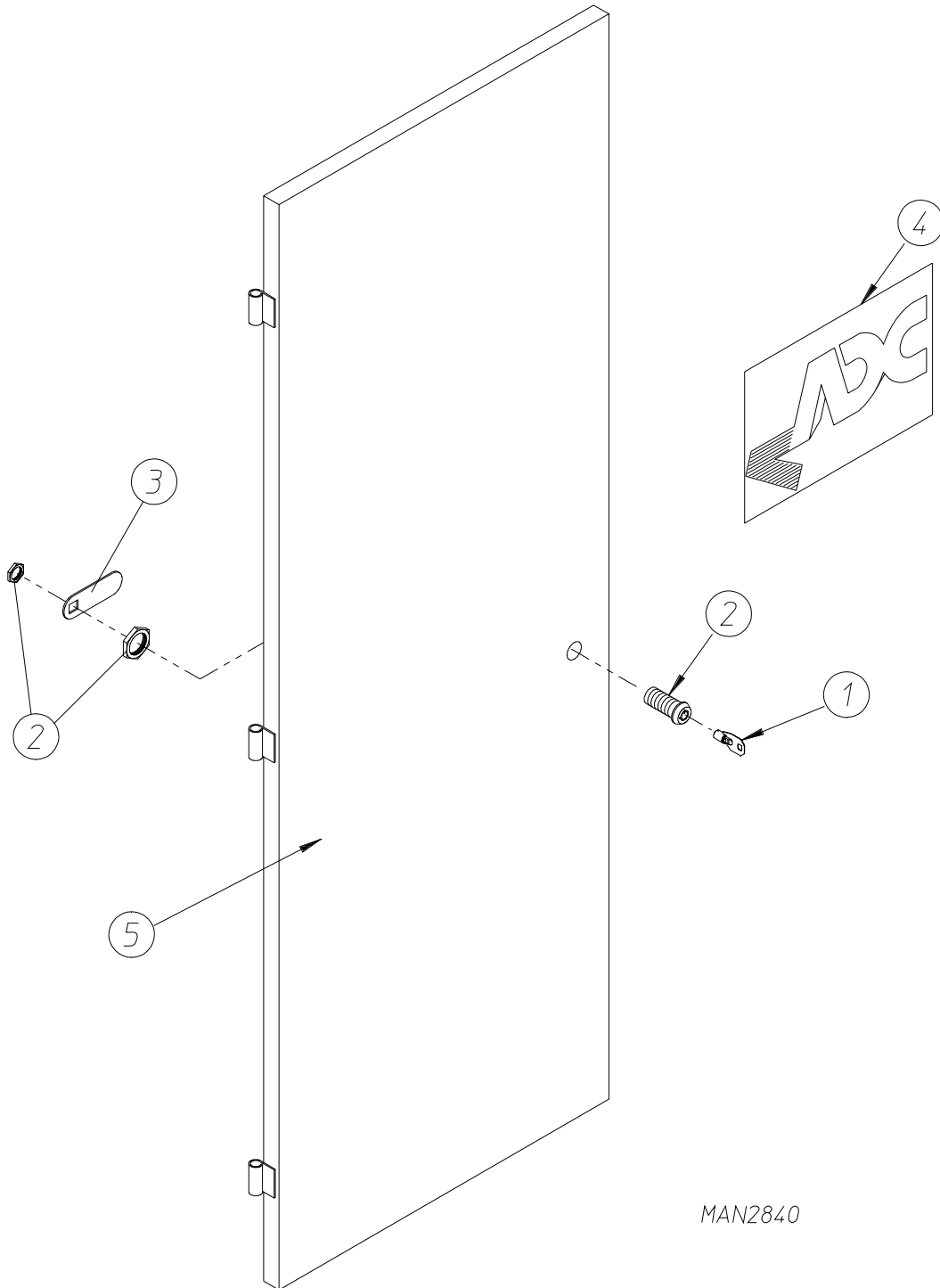
<u>Illus. No.</u>	<u>Part No.</u>	<u>Qty</u>	<u>Description</u>
1	122351	1	Large "EMERGENCY STOP" (Mushroom Head) Button
2	122419	1	"EMERGENCY STOP" Nameplate
3*	122360	1	2-Position Selector Switch
4*	122413	1	"TILT OFF - TILT ON" Nameplate
5	123201	1	Green "CONTROL VOLTAGE ON" Button
6	122410	1	Power "ON" Nameplate
7	123212	1	Incandescent Bulb - 24 VAC
8	123204	1	Red "CONTROL VOLTAGE OFF" Button
9	122421	1	Power "OFF" Nameplate
10**	123200	1	Amber "Push Button" Lighted Operator
11**	122420	1	Engraved "SPRINKLER STOP" Nameplate
12**	123211	1	120 VAC Incandescent Bulb

<u>Illus. No.</u>	<u>Part No.</u>	<u>Qty</u>	<u>Description</u>
13	-----	-	Selector Switch (refer to Selector Switch, Nameplate, and Mounting Base Chart on page 71)
14	-----	-	Nameplate (refer to Selector Switch, Nameplate, and Mounting Base Chart on page 71)
15	123202	1	White "Push Button" Operator
16	122416	1	"REVERSE" Nameplate
17	123203	1	Black "Push Button" Operator
18	122415	1	"FORWARD" Nameplate
19	160140	1	ACE® XX4451 Key ONLY
20	160050	1	ACE® Control Door Lock ONLY less Key (keyed to #XX4451)
21	112535	1	OPL English Keyboard Label Assembly
	112276	1	OPL Stick-On Labels (English ONLY) ... Not Illustrated
	112275	1	OPL Stick-On Labels (Spanish, Italian, and Hebrew ONLY) ... Not Illustrated
	112277	1	3-Language OPL Stick-On Labels (English, Spanish, and Hebrew ONLY) ... Not Illustrated
	112278	1	5-Language OPL Stick-On Labels (Italian, Dutch, French, German, and Chinese ONLY) ... Not Illustrated
22***	-----	1	Right Hand Control Door Assembly (contact factory with dryer <i>serial number</i>)
23	160014	1	Cam ONLY
24	150005	2	#6-32 x 1/4" Phillips Round Head Machine Screw
25	153010	2	#6 Star Washer
26	881129	1	Phase 5 OPL Reversing Microprocessor with External PLC Interface
	137227	1	Phase 5 OPL Reversing Microprocessor with Interface Connector
27	132396	1	Mounting Base with 1 N.O. and 1 N.C. Contact Block
28	132396	1	Mounting Base with 1 N.O. and 1 N.C. Contact Block
29	132394	1	Mounting Base with 1 Normally Open (N.O.) Contact Block
30	132395	1	Mounting Base with 1 Normally Closed (N.C.) Contact Block
31	132387	1	Normally Closed (N.C.) Contact Block
32	132388	1	Normally Open (N.O.) Contact Block with Direct Supply Base
33	132395	1	Mounting Base with 1 Normally Closed (N.C.) Contact Block
34**	132388	1	Normally Open (N.O.) Contact Block with Direct Supply Base
35	121509	3	Metal Clip-On Mount
36	122424	1	Power Warning Label "Small Triangle"
37	-----	-	Mounting Base (refer to Selector Switch, Nameplate, and Mounting Base Chart on page 71)
38	-----	-	Mounting Base (refer to Selector Switch, Nameplate, and Mounting Base Chart on page 71)
39	112905	1	"Phase 5 Computer System" Label
40	112534	1	"Phase 5 Computer Location" Label

* For 2-Way Tilt models ONLY

** For models with the Sprinkler Option

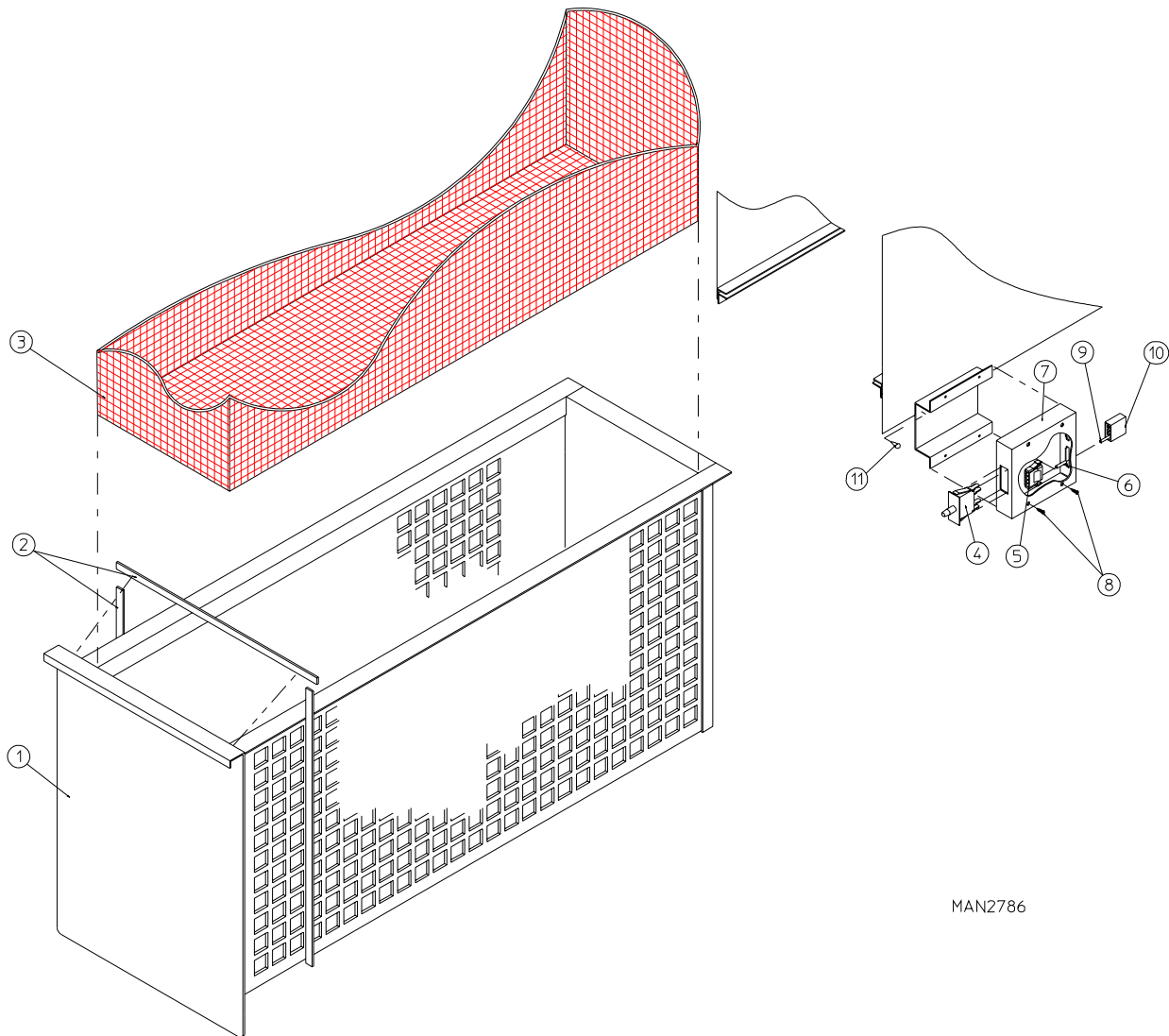
*** Specify color when ordering



MAN2840

<u>Illus. No.</u>	<u>Part No.</u>	<u>Qty</u>	<u>Description</u>
1	160140	1	Key ONLY for Control Door Lock (#XX4451)
2	160050	1	Control Door Lock Less Key (Keyed to #XX4451)
3	160014	1	Cam
4	112360	1	ADC Logo
5*	821334	1	Left Hand Control Door ONLY

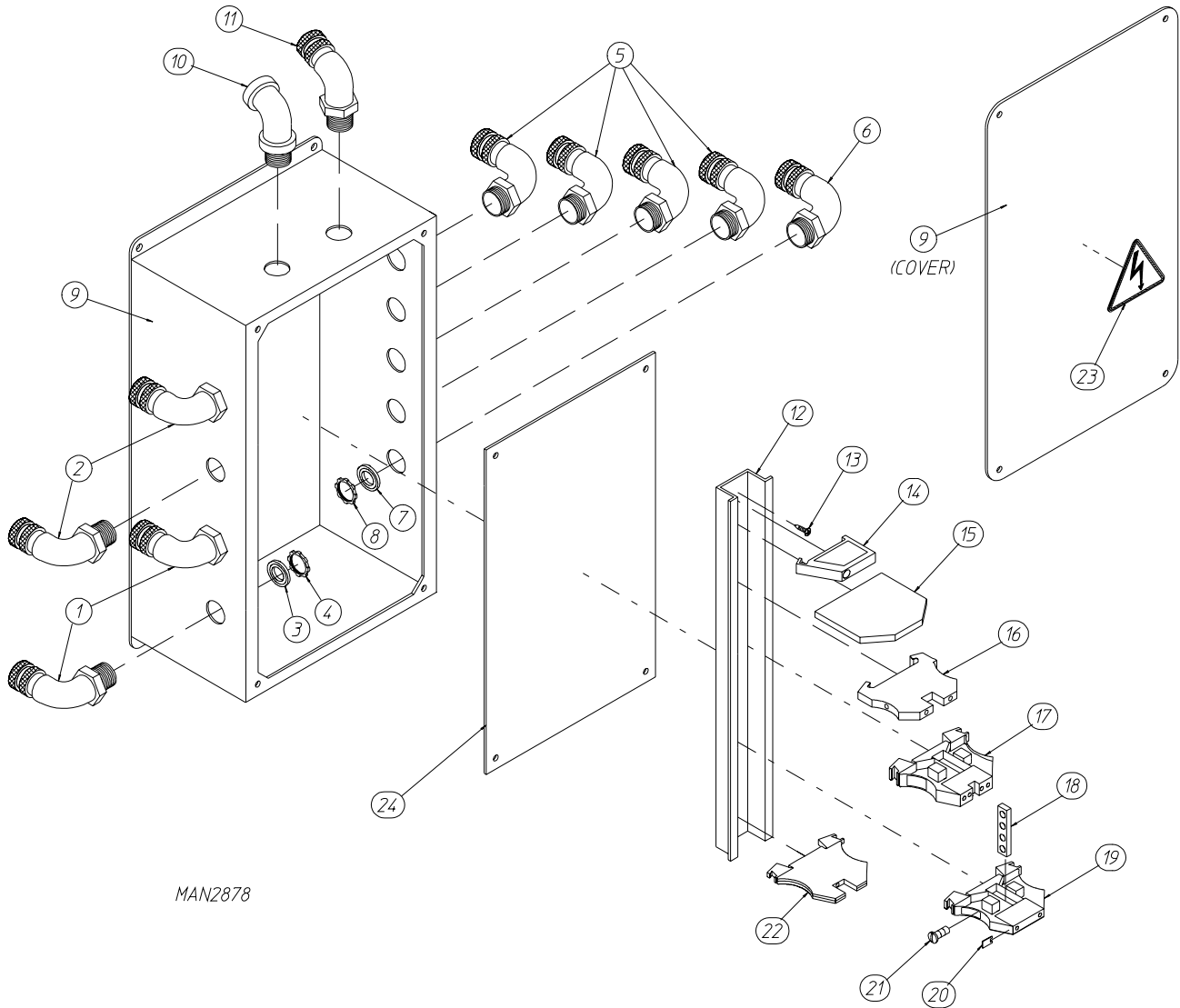
* Specify color when ordering



MAN2786

Illus. No.	Part No.	Qty	Description
1*	881393	1	Lint Drawer Assembly Complete (includes illus nos. 1 and 2)
2	117602	7	Noise Suppressor Tape (sold by the foot)
3	814036	1	Lint Screen
4	122116	1	Lint Drawer Switch ONLY
5	122605	2	4-Pin Socket Connector ONLY
6	122701	4	Socket Terminal ONLY
7	122801	1	Pin/Socket Extraction Tool (NOT ILLUSTRATED)
	800264	1	Lint Drawer Switch Box Assembly Complete (includes illus. nos. 4 through 7)
	304034	1	Lint Drawer Switch Box ONLY
8	150301	4	#8-18 x 7/16" Phillips Pan Head TEK Screw
9	122700	4	Pin Terminal ONLY
10	122604	2	4-Pin Connector ONLY
11	150301	2	#8-18 x 7/16" Phillips Pan Head TEK Screw

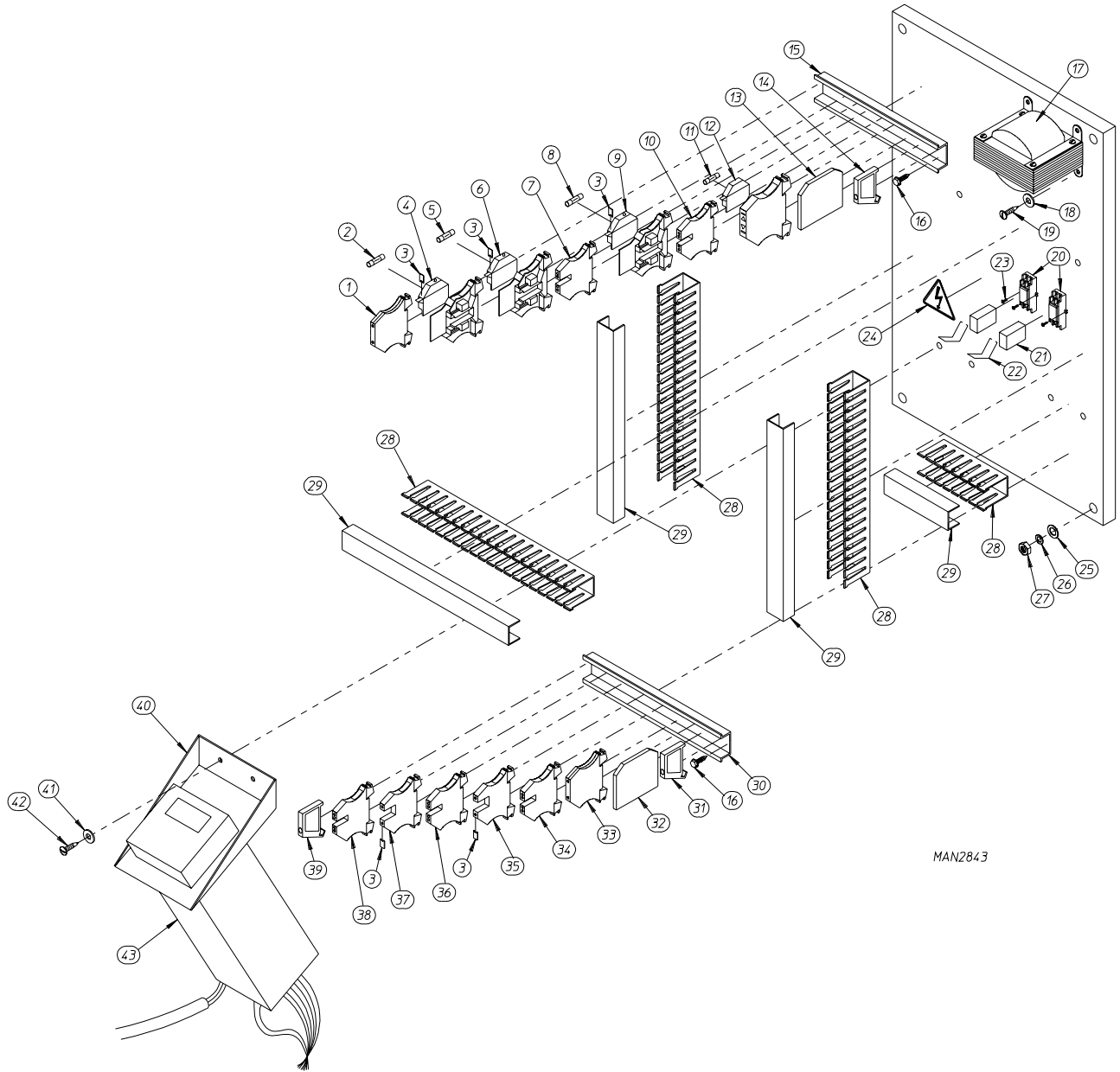
* Specify color when ordering



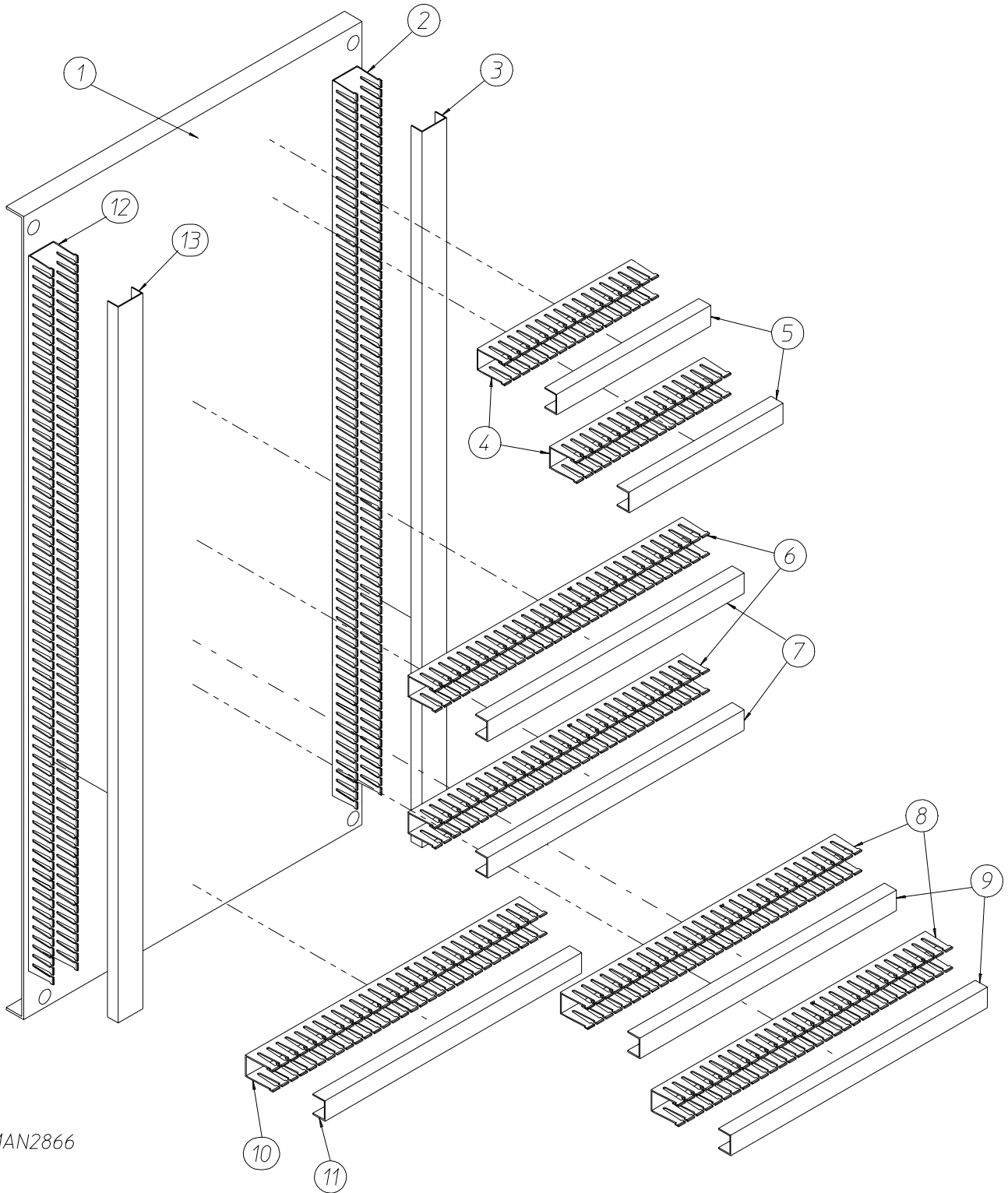
MAN2878

<u>Illus. No.</u>	<u>Part No.</u>	<u>Qty</u>	<u>Description</u>
1	120651	2	1/2" N.P.T. 90° Cord Grip (Blue)
2	120650	2	1/2" N.P.T. 90° Cord Grip (White)
3	120914	4	1/2" N.P.T. Metal Clad Sealing Washer
4	120915	4	1/2" N.P.T. Lock Nut
5	120650	2	1/2" N.P.T. 90° Cord Grip (White)
6	120651	2	1/2" N.P.T. 90° Cord Grip (Blue)
7	120914	4	1/2" N.P.T. Metal Clad Sealing Washer
8	120915	4	1/2" N.P.T. Lock Nut
9*	121107	1	Junction Box
10	120111	1	1/2" Liquid Tite 45° Fitting
11	120657	1	3/4" N.P.T. 45° Cord Grip (Yellow)
12	120768	9	DIN Mounting Rail (Sold by the inch)
13	150309	4	#10-16 x 1/2" Hex Head Crimptite Screw
14	120765	1	End Stop
15	120766	1	End Plate
16	120758	24	Feed Through Terminal Block
17	120761	1	Four Position Feed Through Terminal Block
18	120991	1	Four Pole Bus Bar
19	120752	4	Terminal Block with Test Point
20	120999	7	Blank Marking Tag
21	120998	4	Bus Bar Screw
22	120750	4	Ground Terminal Block
23	122425	1	Triangle Warning Label
24	332847	1	Base Solenoid Junction Box Panel ONLY

* Due to the various options, Box is shipped Blank (with no holes).
Approximate holes **must be** drilled in the field.



<u>Illus. No.</u>	<u>Part No.</u>	<u>Qty</u>	<u>Description</u>
1	120750	1	Ground Terminal Block
2	136050	1	1 Amp Slo-Blo Fuse (for 208/240 volt models)
	136057	1	1/2 Amp Slo-Blo Fuse (for 380-460 volt models)
3	120999	5	Blank Marking Tag
4	120756	1	1/4" Fuse Terminal Block with L.E.D.
5	136050	1	1 Amp Slo-Blo Fuse (for 208/240 volt models)
	136057	1	1/2 Amp Slo-Blo Fuse (for 380-460 volt models)
6	120756	1	1/4" Fuse Terminal Block with L.E.D.
7	120761	2	Four Position Feed Through Terminal Block
8	136033	1	3 Amp Fuse
9	120756	1	1/4" Fuse Terminal Block with L.E.D.
10	120761	2	Four Position Feed Through Terminal Block
11	136039	1	1/4 Amp 5 x 20mm Fuse
12	120754	1	5 x 20mm Fuse Terminal Block with L.E.D.
13	120766	1	End Section
14	120765	1	Standard End Stop
15	120768	6	DIN Mounting Rail (Sold by the inch)
16	150300	6	#10 x 1/2" Long Self Drilling Screw
17	132091	1	Control Transformer (for 208/240 volt models)
	132092	1	Control Transformer (for 380 volt models)
	132006	1	Control Transformer (for 416 volt models)
	132078	1	Control Transformer (for 460 volt models)
18	153000	4	#8 Flat Washer
19	150108	4	8-32 x 1/2" Slotted Head Machine Screw
20	131408	2	DPDT Socket
21	131405	2	DPDT Relay
22	131409	2	Hold Down Wires for P/N: 131405
23	150103	3	8-32 x 3/4" Slotted Head Machine Screw
24	122424	1	Power Warning Label
25	153004	4	3/8" Flat Washer
26	153005	4	3/8" Lock Washer
27	152005	4	3/8-16 Hex Nut
28	121429	36	Slotted Wall Wire Duct (Sold by the inch)
29	121422	36	1" Wireway Cover (Sold by the inch)
30	120768	6	DIN Mounting Rail (Sold by the inch)
31	120765	1	Standard End Stop
32	120766	1	End Section
33	120750	1	Ground Terminal Block
34	120761	1	Four Position Feed Through Terminal Block
35	120758	2	Feed Through Terminal Block
36	120761	1	Four Position Feed Through Terminal Block
37	120758	5	Feed Through Terminal Block
38	120761	2	Four Position Feed Through Terminal Block
39	120765	1	Standard End Stop
40	333002	1	Sprinkler Mounting Bracket
41	153000	2	#8 Flat Washer
42	150108	2	8-32 x 1/2" Slotted Head Machine Screw
43	881039	1	C°/F° Digital Temperature Controller

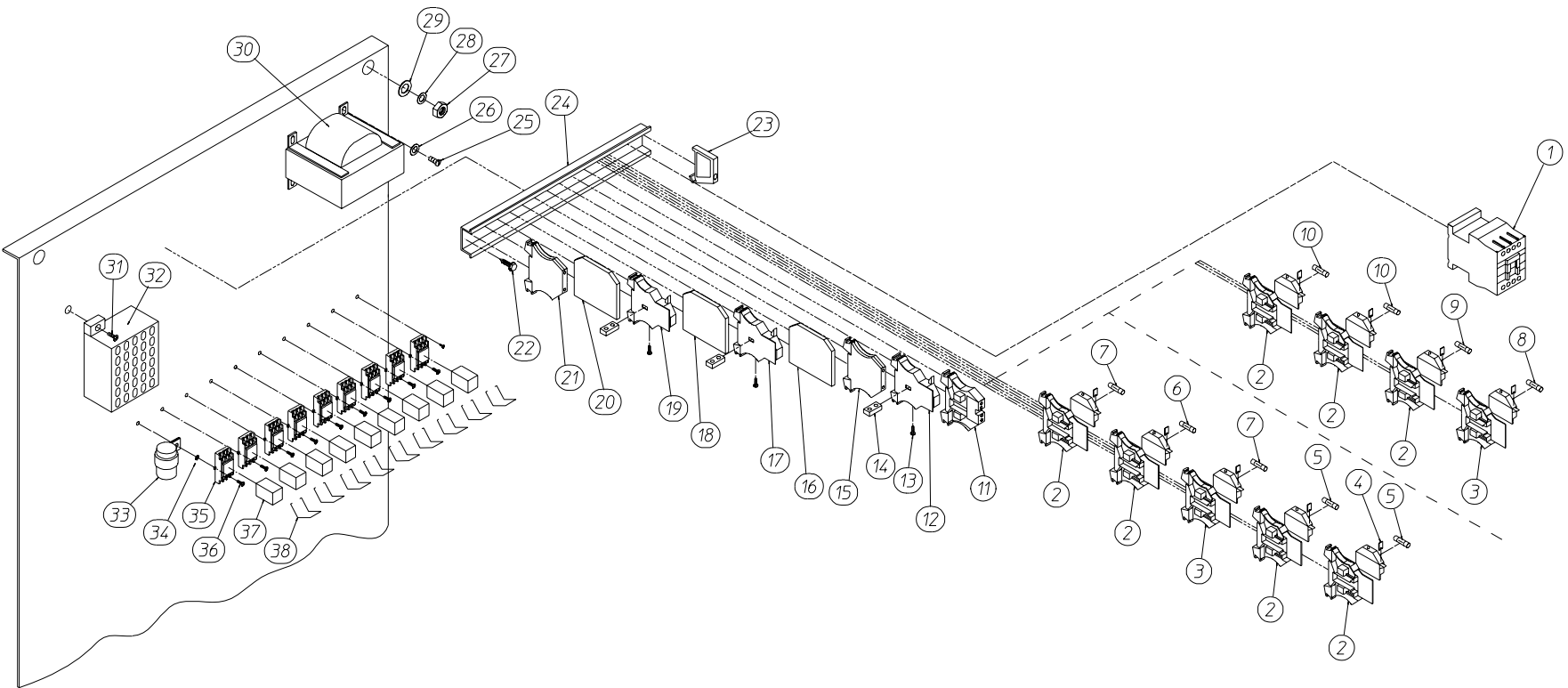


MAN2866

<u>Illus. No.</u>	<u>Part No.</u>	<u>Qty</u>	<u>Description</u>
1	334611	1	Right Hand Electrical Panel ONLY
2	121429	28	2" Deep x 1" Wide Wireway*
3	121422	28	1" Wireway Cover*
4	121429	8	2" Deep x 1" Wide Wireway*
5	121422	8	1" Wireway Cover*
6	121429	12	2" Deep x 1" Wide Wireway*
7	121422	12	1" Wireway Cover*
8	121429	12	2" Deep x 1" Wide Wireway*
9	121422	12	1" Wireway Cover*
10	121429	12	2" Deep x 1" Wide Wireway*
11	121422	12	1" Wireway Cover*
12	121429	31	2" Deep x 1" Wide Wireway*
13	121422	31	1" Wireway Cover*

* Sold by the inch

For models mfd. as of August 26, 1997



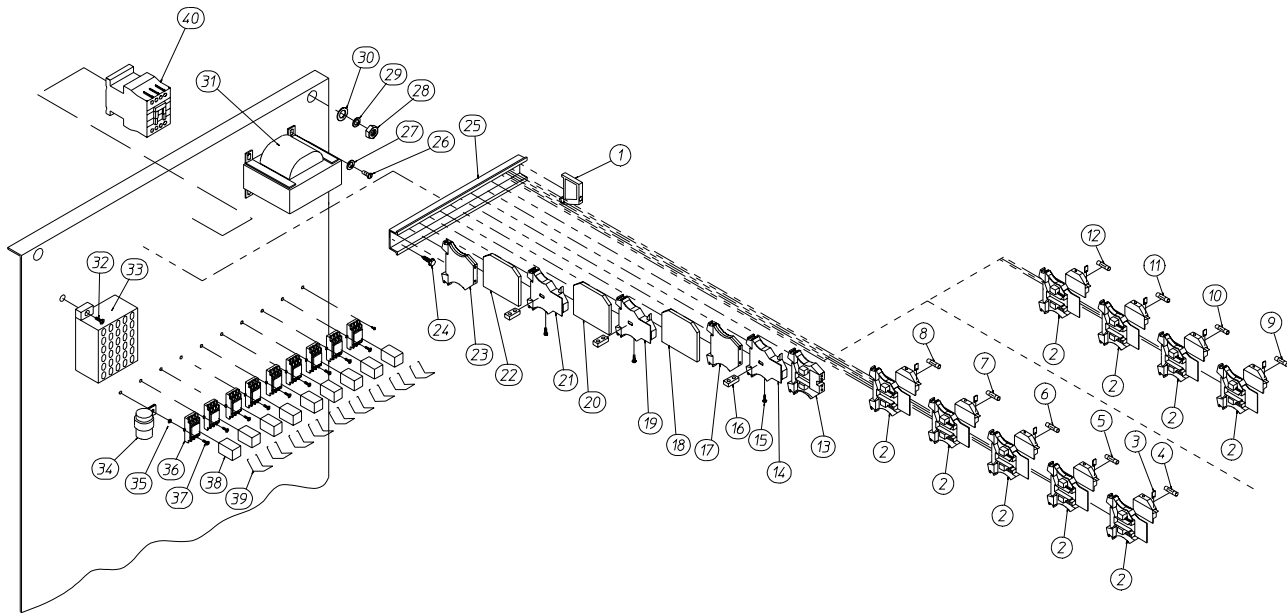
MAN3757

For models mfd. as of August 26, 1997

<u>Illus. No.</u>	<u>Part No.</u>	<u>Qty</u>	<u>Description</u>
1*	132444	1	3HP 110V Control Relay
2	120721	3	Fused Disconnect Terminal Block (for 380, 460, 575V ONLY)
		4	Fused Disconnect Terminal Block (for 2808, 240V ONLY)
3	120997	1	20 Amp Fused Disconnect Terminal Block
4	120999	4	Blank Marking Tag (for 380, 460, 575V ONLY)
	120999	5	Blank Marking Tag (for 208, 240V ONLY)
5	136031	2	7 Amp Fast Acting Fuse (for 208 volt models)
	182453	2	6 Amp Fast Acting Fuse (for 230/240 volt models)
6	136056	1	20 Amp Slo-Blo Fuse (for 208/230/240 volt models)
7	136057	2	0.5 Amp Slo-Blo Fuse (for 208/230/240 volt models)
8	136056	1	20 Amp Slo-Blo Fuse (for 380/416/460/575 volt models)
9	136057	1	0.5 Amp Slo-Blo Fuse (for 380/416/460/575 volt models)
10	182453	2	6 Amp Fast Acting Fuse (for 380/416 volt models)
	136030	2	5 Amp Fast Acting Fuse (for 460/480 volt models)
	136052	2	4 Amp Fast Acting Fuse (for 575/600 volt models)
11	120761	2	Four Position Terminal Block
12	120752	2	Disconnect Block
13	120998	6	Bus Bar Screw
14	120990	3	2 Pole Bus Bar
15	120750	1	Ground Terminal Block
16	120766	1	End Plate
17	120752	2	Disconnect Block
18	120766	1	End Plate
19	120752	2	Disconnect Block
20	120766	1	End Plate
21	120750	2	Ground Terminal Block
22	150309	4	10-16 x 1/2" Hex Head Crimptite Screw
23	120765	1	End Stop
24	120768	-	DIN Mounting Rail (Sold by the inch)
25	150108	4	8-32 x 1/2" Phillips Crimptite Screw
26	153000	4	#8 Flat Washer
27	152005	4	3/8-16 Hex Nut
28	153005	4	3/8" Lock Washer
29	153004	4	3/8" Flat Washer
30	132087	1	Control Transformer 300VA (for 208/240 volt models)
	132088	1	Control Transformer 450VA (for 380/416 volt models)
	132089	1	Control Transformer 450VA (for 460/480/575 volt models)
31	150106	2	8-32 x 1" Phillips Head Machine Screw
32	120730	1	30 Position A, B, C Block
33	123223	1	Mini Flasher, 24 VAC
34	153000	1	#8 Flat Washer
35	131408	9	DPDT Socket
36	150103	9	8-32 x 3/4" Phillips Head Machine Screw
37	131407	9	DPDT Relay
38	131409	9	Hold Down

* For models with sprinkler option

For models mfd. prior to August 26, 1997



MAN2864

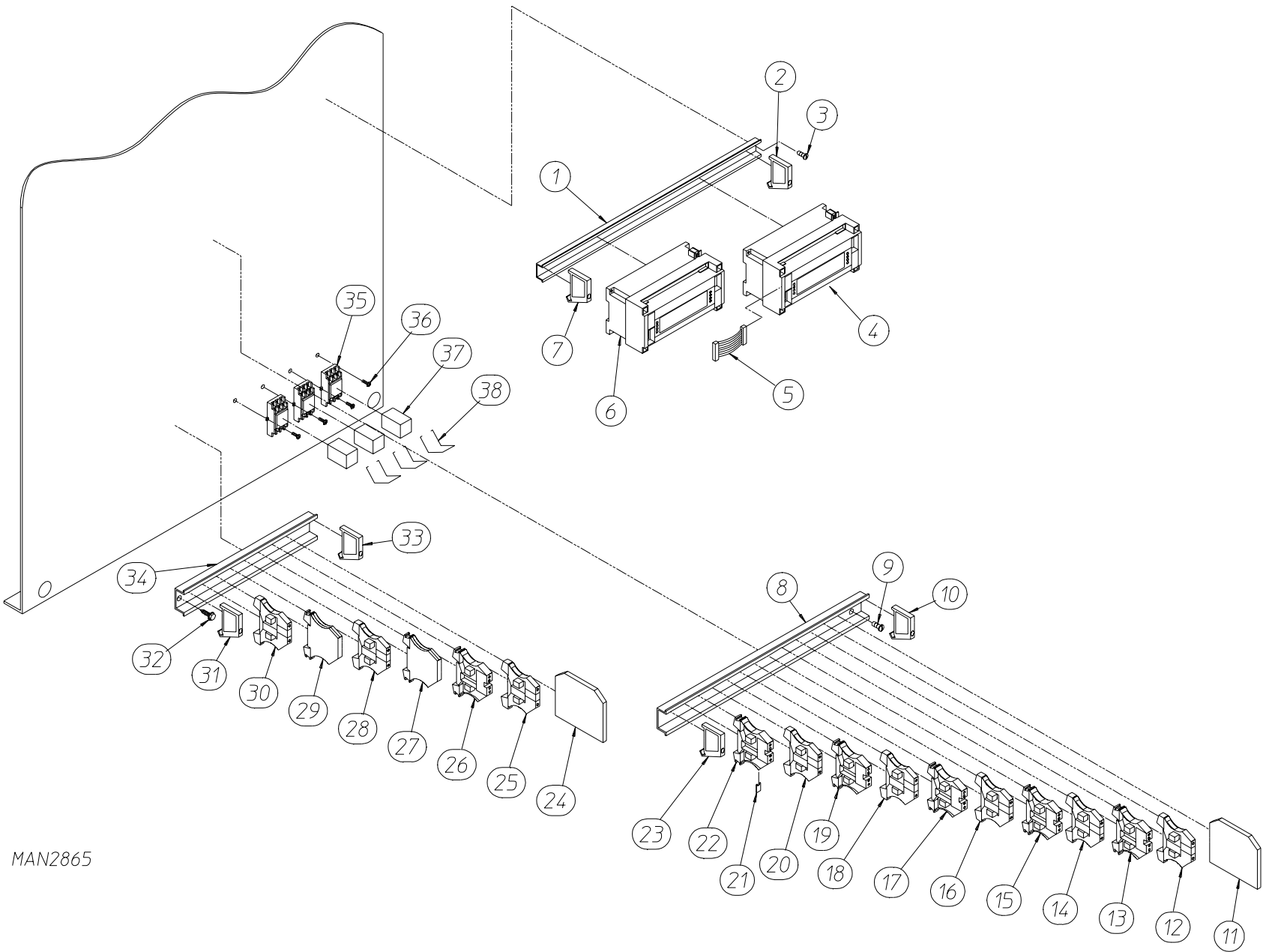
Illus. No.	Part No.	Qty	Description
1	120765	1	End Stop
2	120721	4	Fused Disconnect Terminal Block (for 380, 460, 575 volts ONLY)
		5	Fused Disconnect Terminal Block (for 208, 240 volts ONLY)
3	120999	4	Blank Marking Tag (for 380, 460, 575 volts ONLY)
	120999	5	Blank Marking Tag (for 208, 240 volts ONLY)
4*	-----	1	Fuse (for 208, 240 volts ONLY)
5*	-----	1	Fuse (for 208, 240 volts ONLY)
6*	-----	1	Fuse (for 208, 240 volts ONLY)
7*	-----	1	Fuse (for 208, 240 volts ONLY)
8*	-----	1	Fuse (for 208, 240 volts ONLY)

For models mfd. prior to August 26, 1997

<u>Illus. No.</u>	<u>Part No.</u>	<u>Qty</u>	<u>Description</u>
9*	-----	1	Fuse (for 380 volts ONLY)
		1	Fuse (for 480 volts ONLY)
		1	Fuse (for 575 volts ONLY)
10*	-----	1	Fuse (for 380 volts ONLY)
		1	Fuse (for 480 volts ONLY)
		1	Fuse (for 575 volts ONLY)
11*	-----	1	Fuse (for 380, 460, 575 volts ONLY)
12*	-----	1	Fuse (for 380, 460, 575 volts ONLY)
13	120761	2	Four Position Terminal Block
14	120752	2	Disconnect Block
15	120998	6	Bus Bar Screw
16	120990	3	2 Pole Bus Bar
17	120750	1	Ground Terminal Block
18	120766	1	End Plate
19	120752	2	Disconnect Block
20	120766	1	End Plate
21	120752	2	Disconnect Block
22	120766	1	End Plate
23	120750	2	Ground Terminal Block
24	150309	4	10-16 x 1/2" Hex Head Crimptite Screw
25	120768	-	DIN Mounting Rail (Sold by the inch)
26	150108	4	8-32 x 1/2" Phillips Crimptite Screw
27	153000	4	#8 Flat Washer
28	152005	4	3/8-16 Hex Nut
29	153005	4	3/8" Lock Washer
30	153004	4	3/8" Flat Washer
31*	881854	1	208V 300VA Control Transformer Kit
	881855	1	240V 300VA Control Transformer Kit
	881856	1	380/416V 450VA Control Transformer Kit
	881857	1	460/480V 450VA Control Transformer Kit
32	150106	2	8-32 x 1" Phillips Head Machine Screw
33	120730	1	30 Position A, B, C Block
34	123223	1	Mini Flasher, 24 VAC
35	153000	1	#8 Flat Washer
36	131408	9	DPDT Socket
37	150103	9	8-32 x 3/4" Phillips Head Machine Screw
38	131407	9	DPDT Relay
39	131409	9	Hold Down
40**	132444	1	3HP 110V Control Relay

* Control Transformer Kits include new fuses.
Fuses **cannot** be ordered separate.

**For models with sprinkler option.

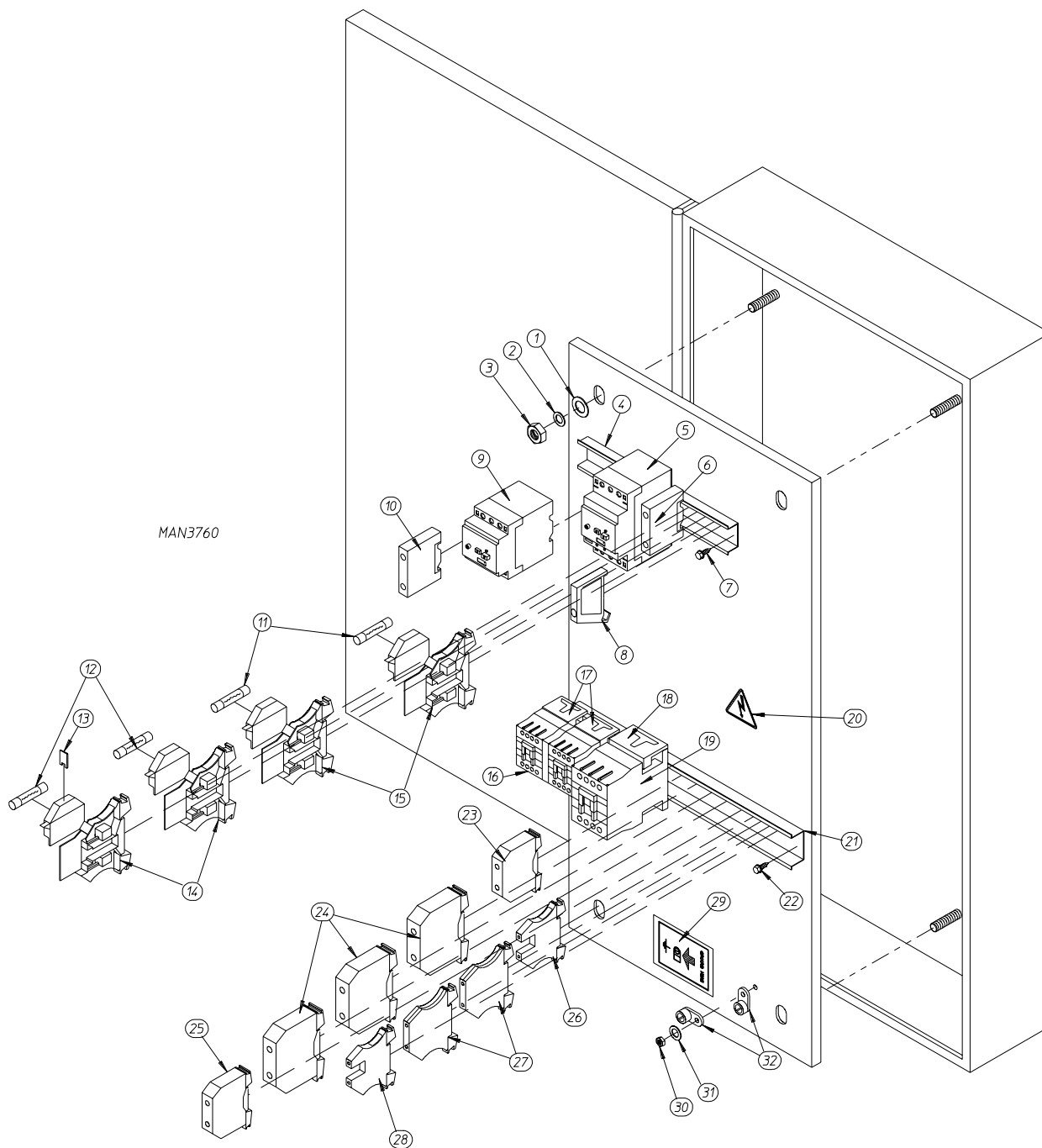


MAN2865

<u>Illus. No.</u>	<u>Part No.</u>	<u>Qty</u>	<u>Description</u>
1	120768	-	DIN Mounting Rail (Sold by the inch)
2	120765	1	End Stop
3	150309	4	10-16 x 1/2" Hex Head Crimptite Screw
4	137913	1	Micro One Expansion Computer
5	137914	1	Computer Interface Cable
6*	881029	1	Micro One Computer (Programmed)
7	120765	1	End Stop
8	120768	-	DIN Mounting Rail (Sold by the inch)
9	150309	4	10-16 x 1/2" Hex Head Crimptite Screw
10	120765	1	End Stop
11	120766	1	End Plate
12	120758	9	Single Input Block
13	120761	1	Four Position Block
14	120758	4	Single Input Block
15	120761	1	Four Position Block
16	120758	14	Single Input Block
17	120761	2	Four Position Block
18	120758	13	Single Input Block
19	120761	3	Four Position Block
20	120758	3	Single Input Block
21	120999	16	Blank Marking Tag
22	120761	4	Four Position Block
23	120765	1	End Stop
24	120766	1	End Plate
25	120758	5	Single Input Block
26	120761	3	Four Position Block
27	120750	1	Ground Terminal Block
28	120758	3	Single Input Block
29	120750	1	Ground Terminal Block
30	120758	6	Single Input Block
31	120765	1	End Stop
32	150309	4	10-16 x 1/2" Hex Head Crimptite Screw
33	120765	1	End Stop
34	120768	-	Din Mounting Rail (Sold by the inch)
35	131408	3	DPDT Socket
36	150103	4	8-32 x 3/4" Phillips Head Machine Screw
37	131407	3	DPDT Relay
38	131409	3	Hold Down

* Dryer serial number **must be** provided.

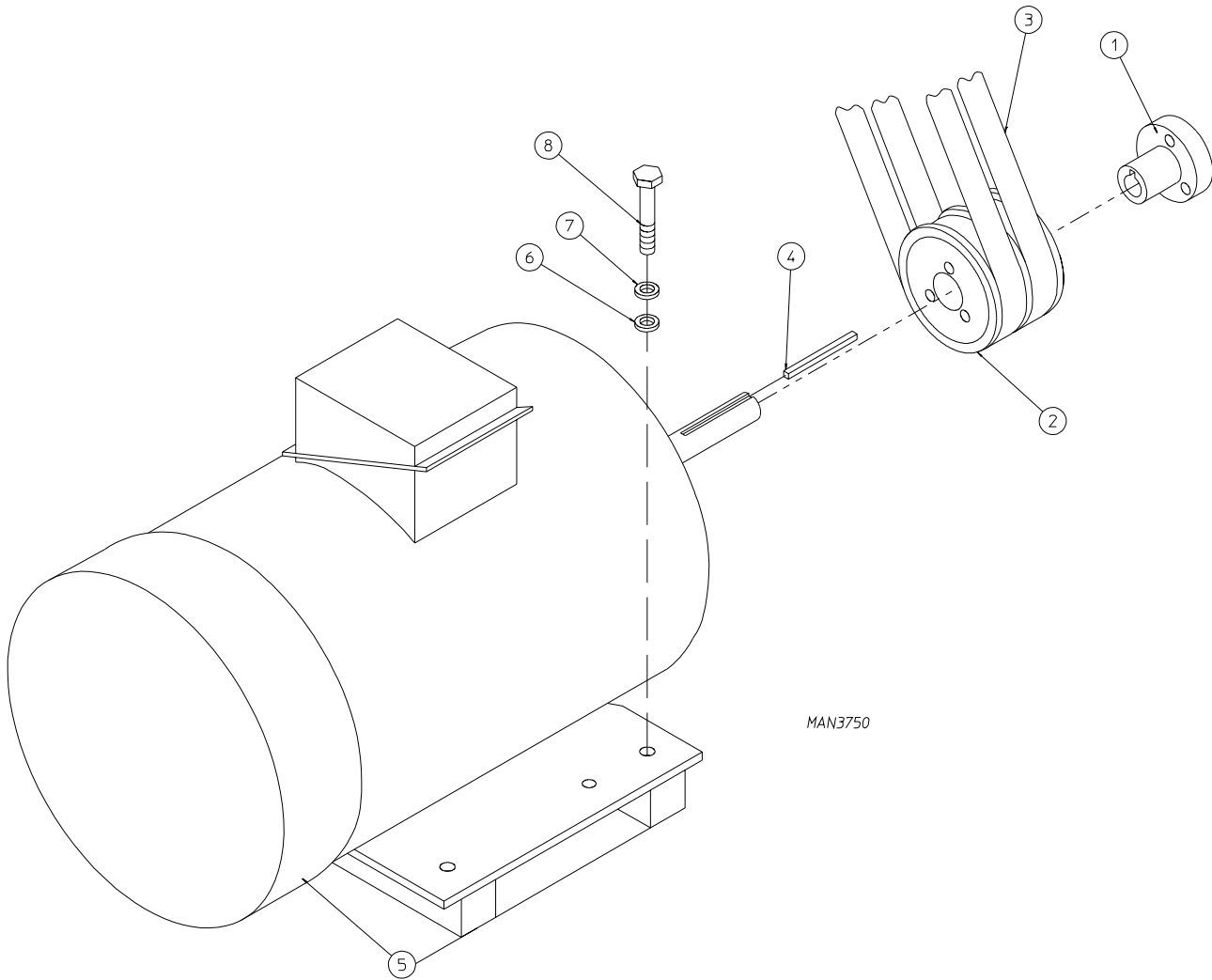
26 All Door, All Tilt, Base Electrical Junction Box Control Panel Assembly



<u>Illus. No.</u>	<u>Part No.</u>	<u>Qty</u>	<u>Description</u>
1	153004	4	3/8" Flat Washer
2	153005	4	3/8" Lock Washer
3	152005	4	3/8-16 Hex Nut
4	120768	-	Din Mounting Rail (Sold by the inch)
5	131956	1	56-80 Amp Manual Starter (Blower Motor) (for 208/230 volt models)
	131957	1	25-40 Amp Manual Starter (Blower Motor) (for 380/416/460/575 volt models)

<u>Illus. No.</u>	<u>Part No.</u>	<u>Qty</u>	<u>Description</u>
6	132384	1	Auxiliary Contact Block
7	150300	3	#10 x 1/2" Hex Washer TEK Screw
8	120765	1	End Stop
9	131957	1	25-40 Amp Manual Starter (Drive Motor) (for 208 volt models)
	131969	1	20-25 Amp Manual Starter (Drive Motor) (for 230 volt models)
	131970	1	9-14 Amp Manual Starter (Drive Motor) (for 380/416/460 volt models)
	131962	1	6-10 Amp Manual Starter (Drive Motor) (for 575 volt models)
10	132384	1	Auxiliary Contact Block (for 208 volt models)
	132389	1	Auxiliary Contact Block (for 230/380/416/460/575 volt models)
11*	136052	2	4 Amp Fuse
12	136038	2	8 Amp Fast-Acting Fuse
13	120724	2or4	Blank Marking Tags
14	120721	2	Fused Disconnect Terminal Block
15*	120721	2	Fused Disconnect Terminal Block
16	132423	1	Reversing Contactor (for 208/230 volt models)
	132424	1	Reversing Contactor (for 380/416/460/575 volt models)
17	132437	2	24-48 Volt Varistor
18	132485	1	24 Volt Spike Suppressor
19	132479	1	Blower Contactor (for 208/230 volt models)
	132481	1	Blower Contactor (for 380/416/460/575 volt models)
20	122424	1	Small Power Warning Label
21	120768	-	DIN Mounting Rail (sold by the inch)
22	150300	5	#10 x 1/2" Hex Head TEK Screw
23	120763	1	End Holder
24	120762	3	Terminal Block
25	120763	1	End Holder
26	120750	1	Ground Terminal Block
27*	120758	2	Feed Thru Terminal Block
28*	120750	1	Ground Terminal Block
29	112075	1	"Ground Here" Label
30	152002	1	1/4-20 Hex Nut
31	153007	1	1/4" Lock Washer
32	121012	2	Terminal Lug

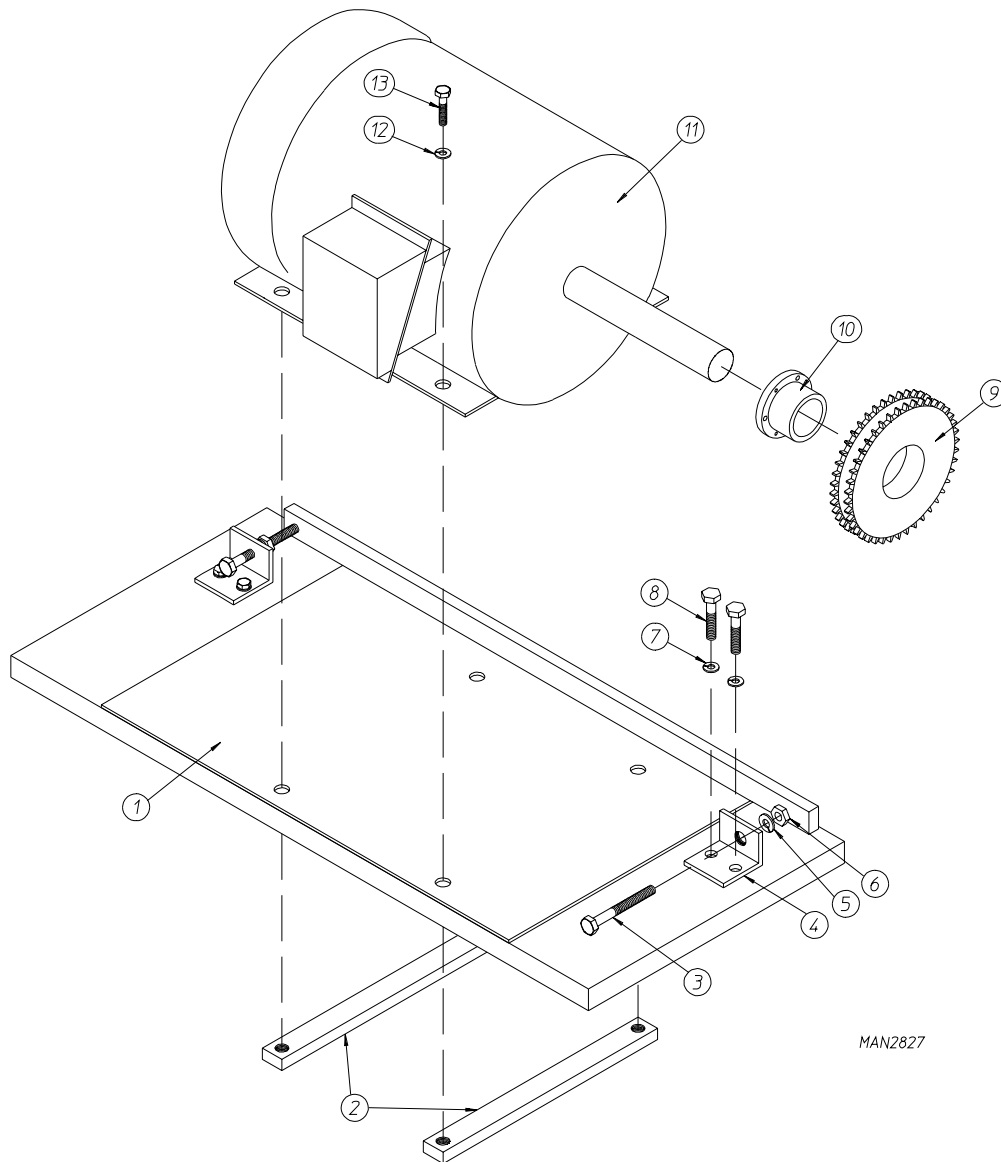
For models mfd. as of November 14, 1997



MAN3750

Illus. No.	Part No.	Qty	Description
1	101152	1	SH x 1-3/8" Bushing
2	101187	1	2B x 3.6 Sheave (60 Hz Models)
	101195	1	2B x 4.4 Sheave (50 Hz Models)
3	100143	2	A 29 Belt
4	100704	1	1/4" x 1/4" x 1-3/4" Key
5	181023	1	7-1/2 HP 50/60 Hz Drive Motor
6	153004	4	3/8" Flat Washer
7	153005	4	3/8" Lock Washer
8	150508	4	3/8-16 x 3/4" Hex Head Bolt

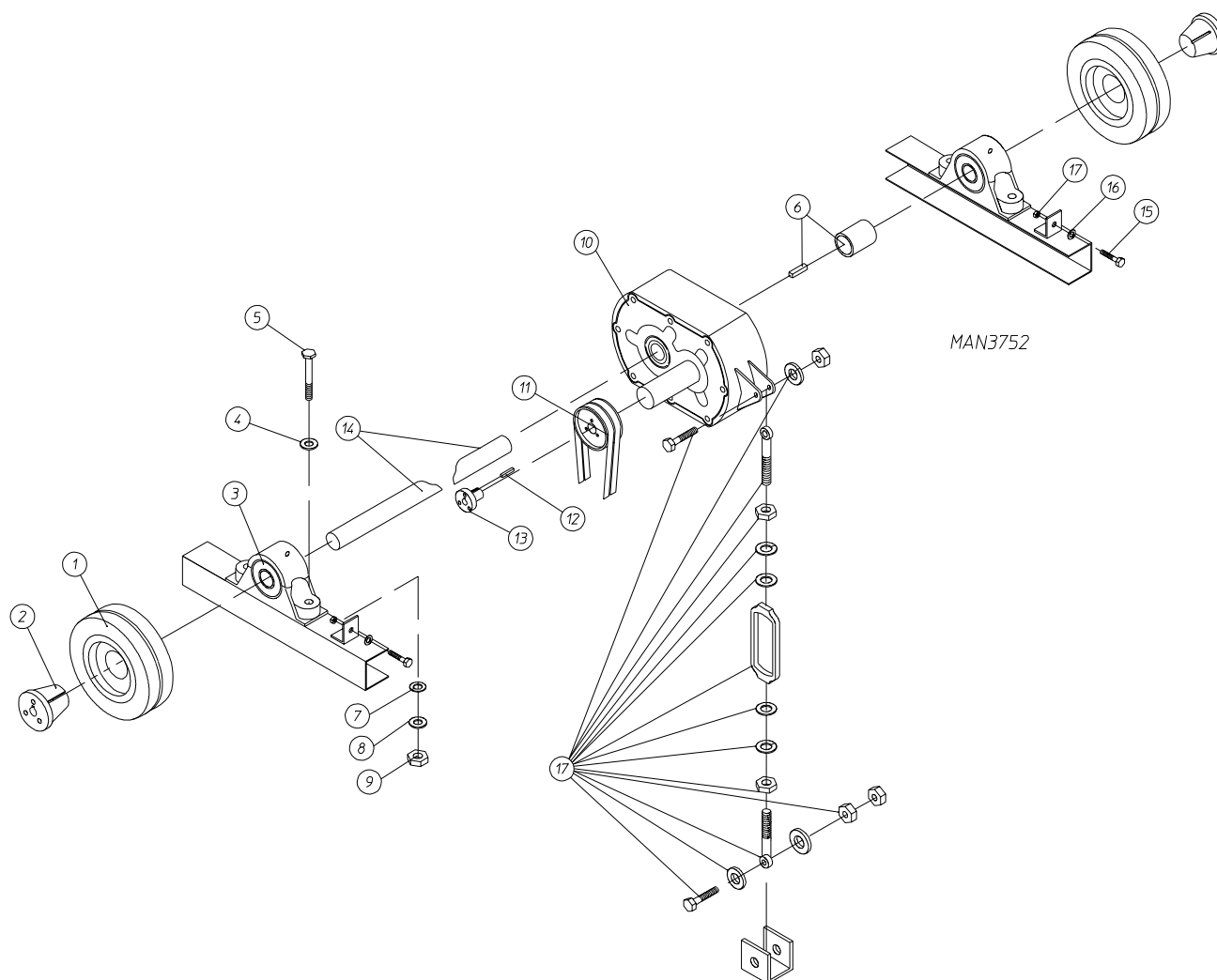
For models mfd. prior to November 14, 1997



MAN2827

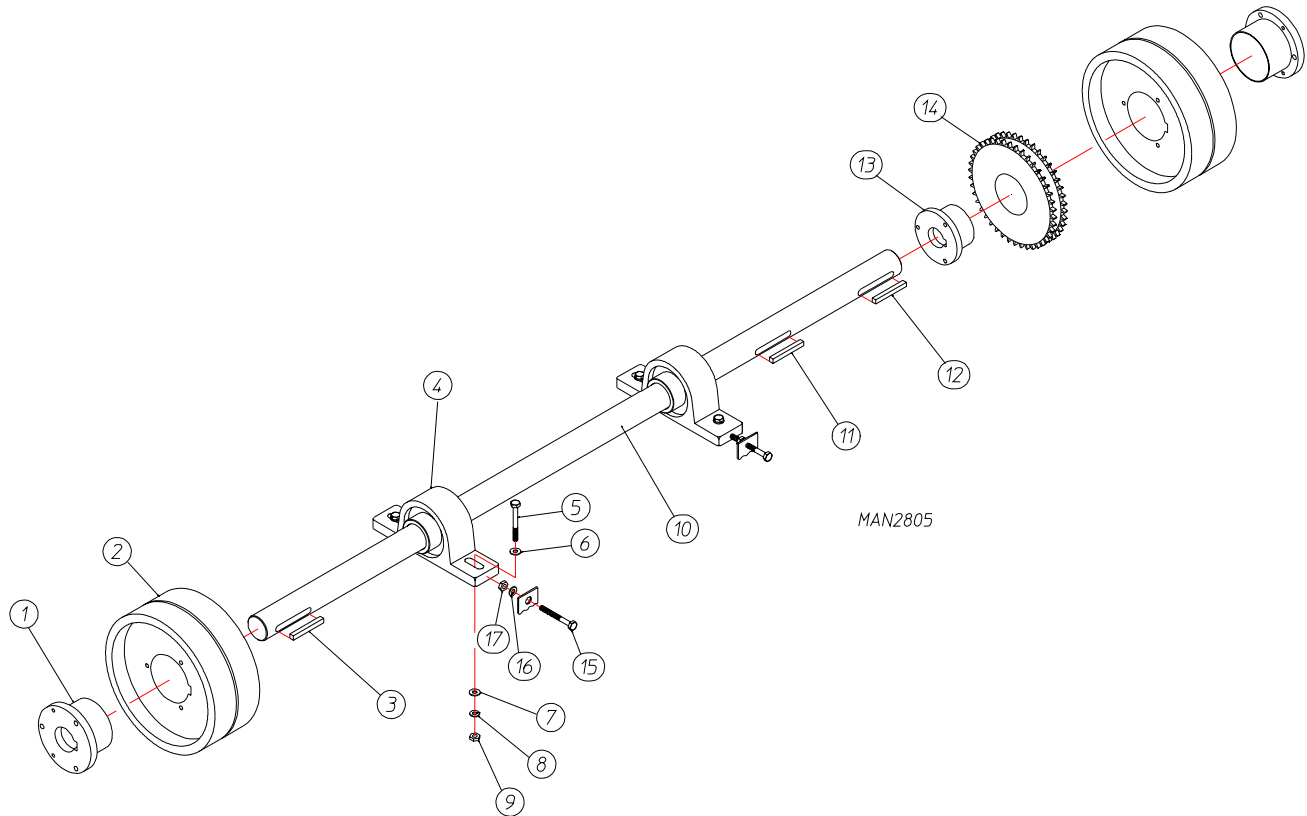
<u>Illus. No.</u>	<u>Part No.</u>	<u>Qty</u>	<u>Description</u>
1	814066	1	Motor Adjustment Plate ONLY
2	334595	2	Motor Threaded Block
3	150609	2	1/2-13 x 4-1/2" Long Hex Head Bolt
4	814065	2	Motor Adjustment Bracket
5	153026	2	1/2" Lock Washer
6	152011	2	1/2-13 Hex Nut
7	153005	4	3/8" Lock Washer
8	150617	4	3/8-16 x 1" Long Hex Head Bolt
9	101299	1	Double Sprocket
10	101212	1	Bushing 1-5/8" Dia. Bore
11	181017	1	7-1/2 HP, 1200 RPM Motor
12	153026	4	1/2" Lock Washer
13	150633	4	1/2-13 x 2-1/4" Long Hex Head Bolt

For models mfd. as of November 14, 1997



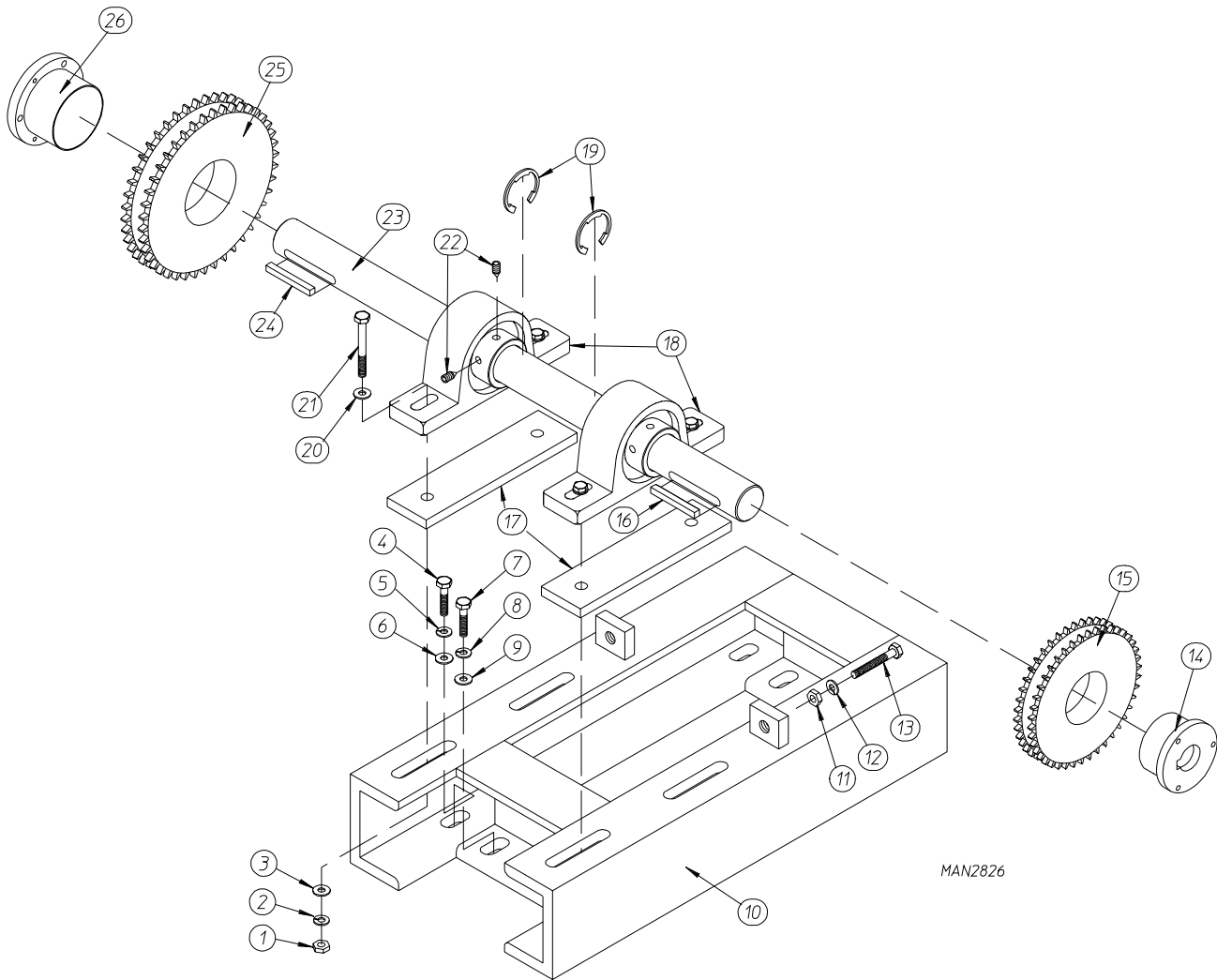
<u>Illus. No.</u>	<u>Part No.</u>	<u>Qty</u>	<u>Description</u>
1	820600	2	Drive Wheel Assembly
2	101191	2	RI x 2" Taper Lock Bushing
3	100234	2	2" Pillow Block Bearing
4	153016	4	5/8" Flat Washer
5	150627	4	5/8-11 x 5" Hex Head Bolt
6	101022	1	2" Taper Bushing for Speed Reducer
7	153016	4	5/8" Flat Washer
8	153015	4	5/8" Lock Washer
9	152010	4	5/8-11 Hex Nut
10	101019	1	Taper Bushed Speed Reducer
11	101176	1	2B x 5.6 Sheave
12	100709	1	3/8" x 3/8" x 2" Key
13	101196	1	SDS x 1-5/8" Bushing
14	331548	1	2" x 64-11/16" Drive Shaft
15	150629	2	1/2-13 x 3-1/2" Hex Head Bolt
16	153026	2	1/2" Lock Washer
17	152011	2	1/2-13 Hex Nut

For models mfd. prior to November 14, 1997



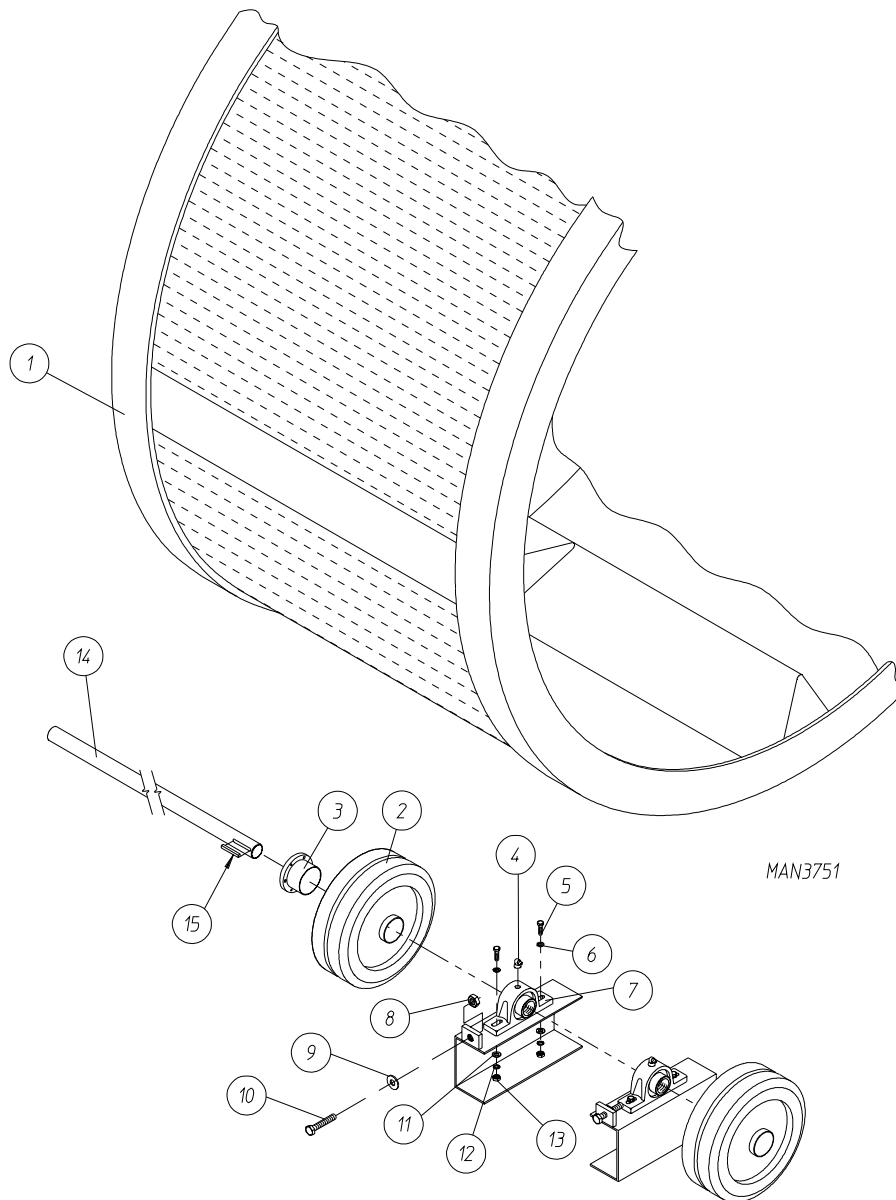
<u>Illus. No.</u>	<u>Part No.</u>	<u>Qty</u>	<u>Description</u>
1	101191	2	Wheel Taper Lock Bushing
2	820600	2	Drive Wheel Assembly with Hub
3	100712	1	1/2" x 1/2" x 3" Long Key
4	100234	2	Pillow Block Bearing
5	150627	4	5/8-11 x 5" Long Bolt
6	153016	4	5/8" Flat Washer
7	153016	4	5/8" Flat Washer
8	153015	4	5/8" Lock Washer
9	152010	4	5/8-11 Hex Nut
10	334577	1	Drive Shaft
11	100712	1	1/2" x 1/2" x 3" Long Key
12	100712	1	1/2" x 1/2" x 3" Long Key
13	101210	1	Bushing
14	101297	1	Sprocket
15	150629	2	1/2-13 x 3-1/2" Long Full Thread Bolt
16	153026	2	1/2" Lock Washer
17	152011	2	1/2-13 Hex Nut

For models mfd. prior to November 14, 1997

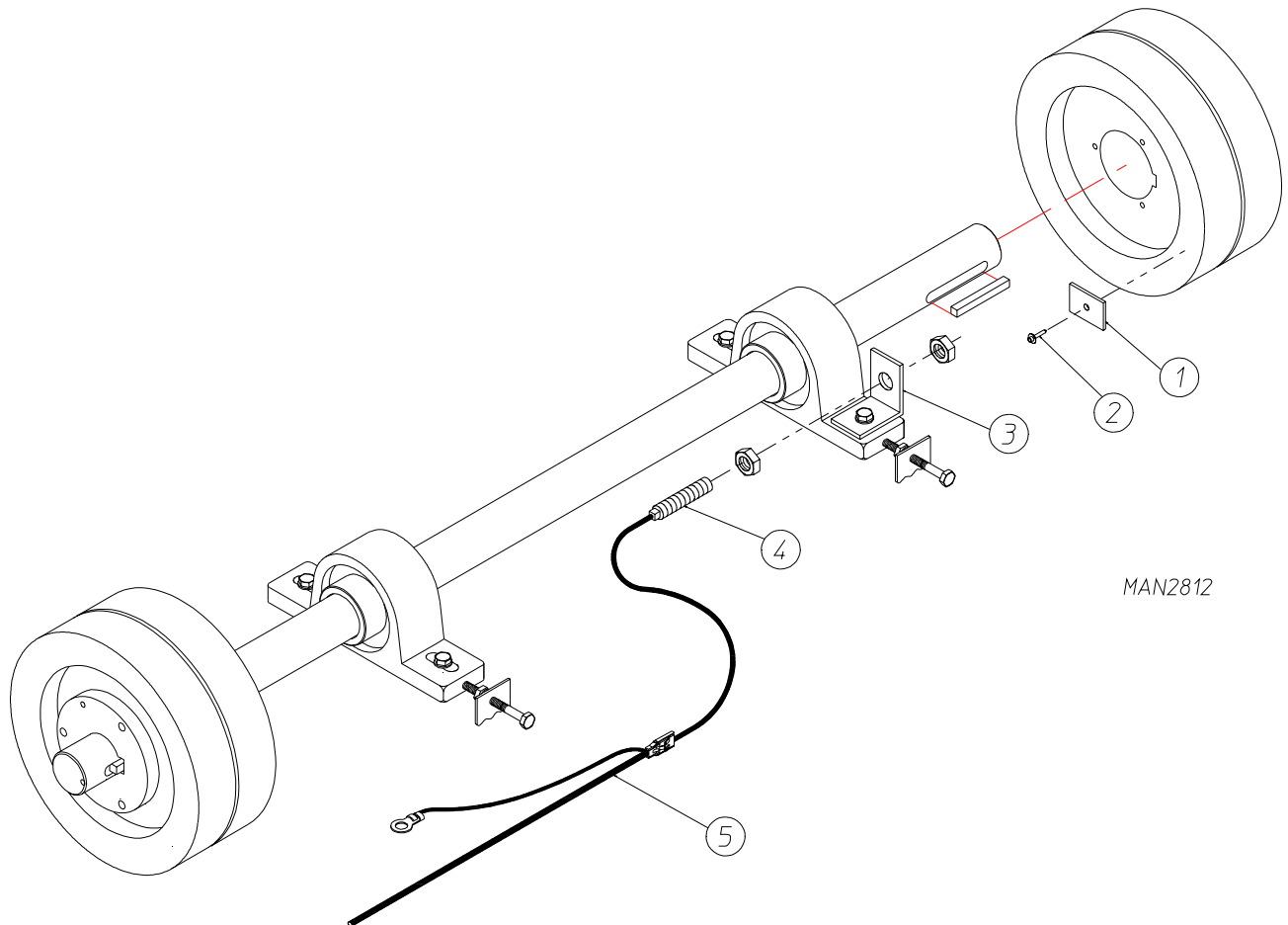


For models mfd. prior to November 14, 1997

<u>Illus. No.</u>	<u>Part No.</u>	<u>Qty</u>	<u>Description</u>
1	152011	4	1/2-13 Hex Nut
2	153026	4	1/2" Lock Washer
3	153011	4	1/2" Flat Washer
4	150606	4	1/2-13 x 2" Long Hex Head Bolt
5	153026	4	1/2" Lock Washer
6	153011	4	1/2" Flat Washer
7	150606	4	1/2-13 x 2" Long Hex Head Bolt
8	153026	4	1/2" Lock Washer
9	153011	4	1/2" Flat Washer
10	814067	1	Idler Mount ONLY
11	152011	2	1/2-13 Hex Nut
12	153026	2	1/2" Lock Washer
13	150609	2	1/2-13 x 4-1/2" Long Hex Head Bolt
14	101211	1	Bushing 1-3/4" Dia. Bore
15	101298	1	Sprocket
16	100710	1	3/8" x 3/8" x 3" Long Key
17	334597	2	Bearing Spacer Block
18	100239	2	1-3/4" Dia. Pillow Block Bearing
19	100816	2	1-3/4" E-Clip
20	153011	4	1/2" Flat Washer
21	150629	4	1/2-13 x 3-1/2" Long Hex Head Bolt
22	154322	4	3/8-24 x 7/16" Long Set Screw
23	334598	1	Speed Reducing Idler Shaft
24	100710	1	3/8" x 3/8" x 3" Long Key
25	101296	1	Sprocket
26	101154	1	Bushing



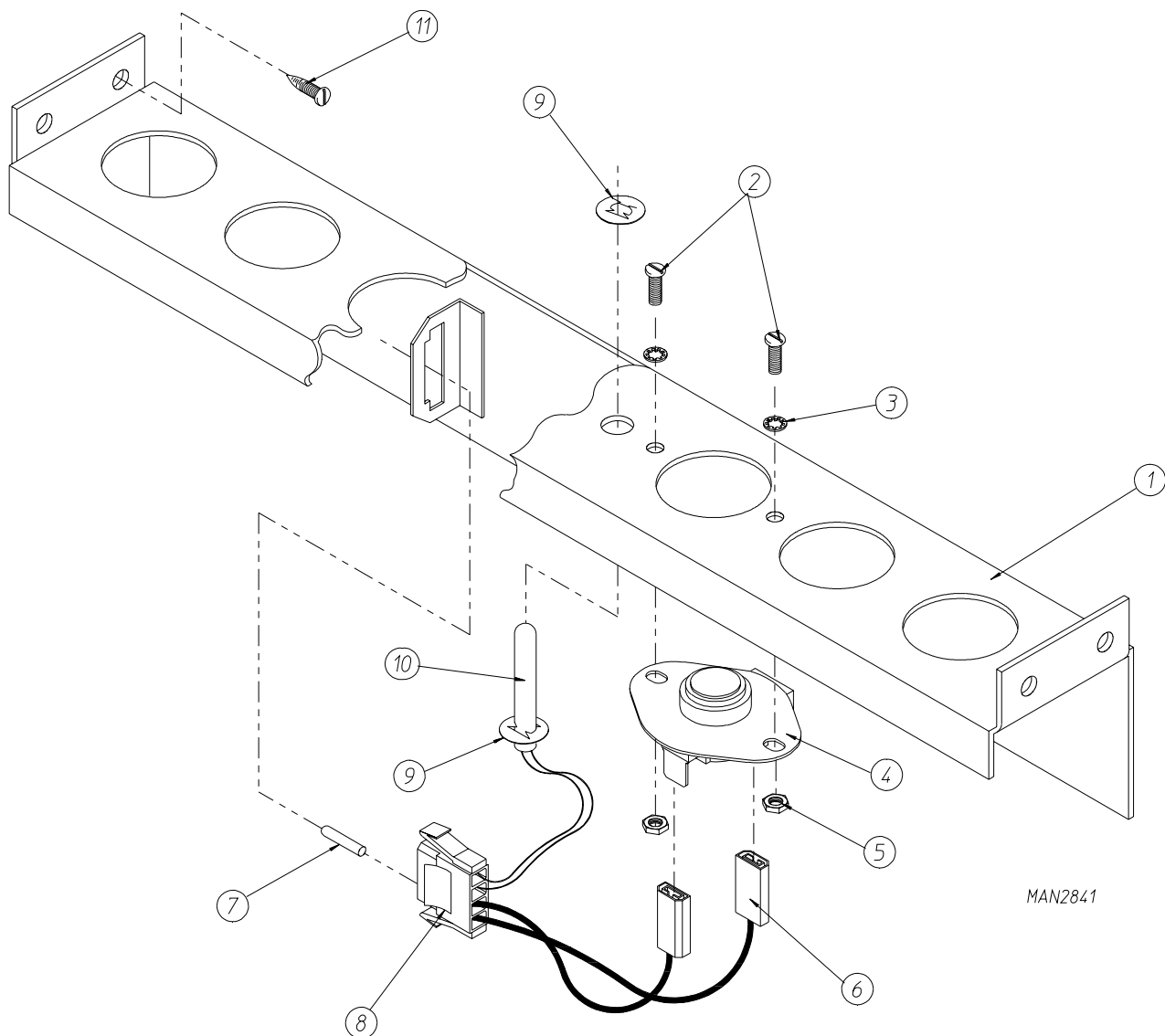
<u>Illus. No.</u>	<u>Part No.</u>	<u>Qty</u>	<u>Description</u>
1	881399	1	Tumbler
2	820600	2	Drive Wheel Assembly
3	101191	2	Wheel Taper Lock Bushing
4	170511	2	1/8-27 N.P.T. Grease Fitting
5	150627	4	5/8-11 x 5" Long Bolt
6	153016	4	5/8" Flat Washer
7	880882	2	" Pillow Block Bearing
8	152011	2	1/2-13 Hex Nut
9	153026	2	1/2" Lock Washer
10	150629	2	1/2-13 x 3-1/2" Long Full Thread Bolt
11	153016	4	5/8" Flat Washer
12	153015	4	5/8" Lock Washer
13	152010	4	5/8-11 Hex Nut
14	334578	1	Idler Shaft
15	100712	2	1/2" x 1/2" x 3" Long Key



MAN2812

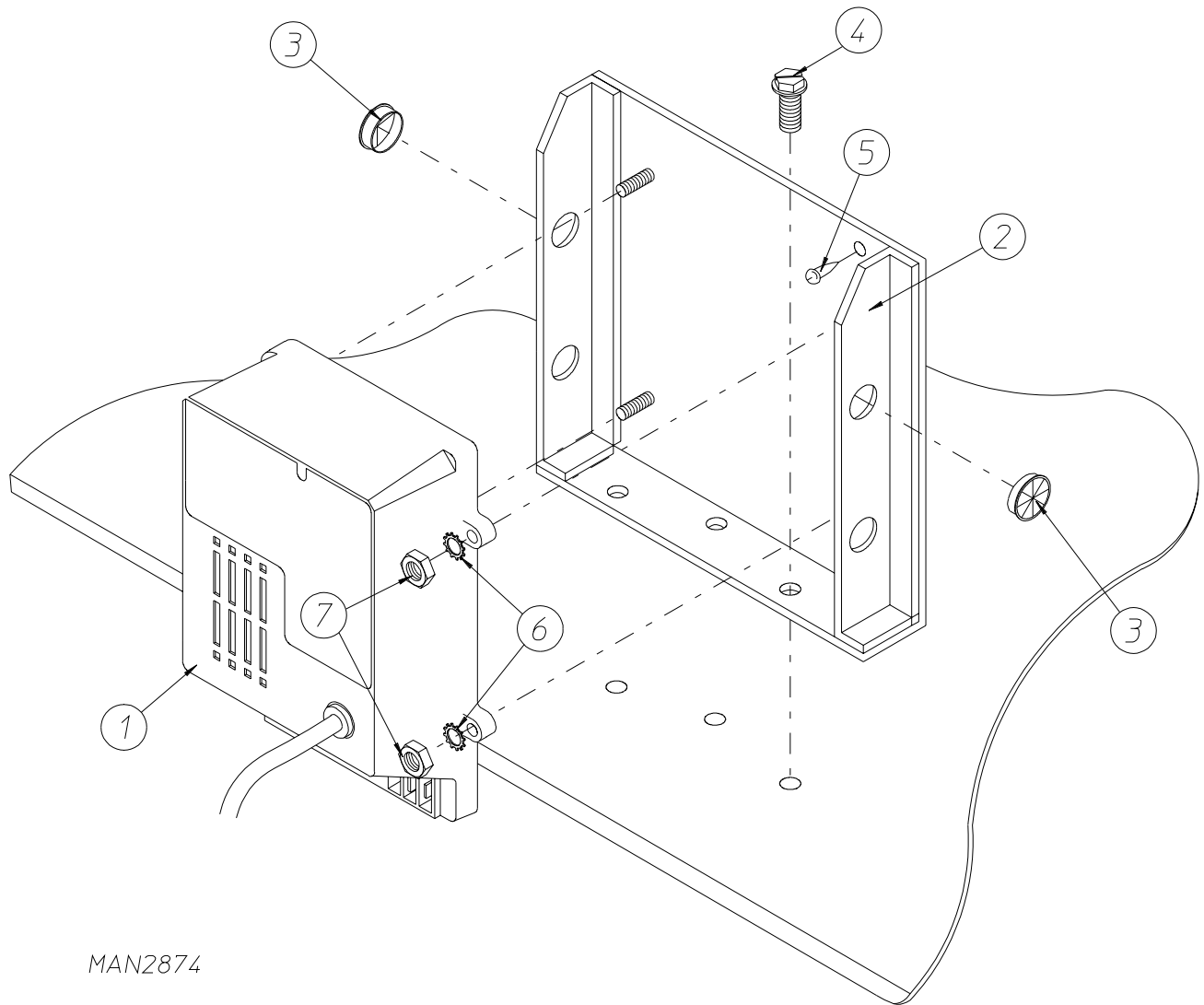
<u>Illus. No.</u>	<u>Part No.</u>	<u>Qty</u>	<u>Description</u>
1	102102	1	Tumbler Sensor Magnet
2	154200	1	5/32" Pop Rivet
3	332750	1	Rotational Sensor Mounting Bracket
4	881383	1	Rotational Sensor Assembly
5	881384	1	Rotational Sensor Harness

<u>Illus. No.</u>	<u>Part No.</u>	<u>Qty</u>	<u>Description</u>
1	152053	2	3/4-16 Left Hand Jam Nut
2	153071	1	2-3/4" O.D. Fan Washer
3	100661	1	22-1/4" Dia. Blower Wheel
4	100710	1	3/8" x 3/8" x 3" Long Key
5	334445	1	Shaft
6	814005	1	Motor Mount ONLY
7	153004	6	3/8" Flat Washer
8	153005	6	3/8" Lock Washer
9	150617	6	3/8-16 x 1" Long Hex Head Bolt
10	100239	2	1-3/4" Dia. Bearing
11	150606	4	1/2-13 x 2" Long Hex Head Bolt
12	153026	4	1/2" Lock Washer
13	153011	4	1/2" Flat Washer
14	116014	1	Felt Seal
15	100710	1	3/8" x 3/8" x 3" Long Key
16	100172	2	BX-66 V-Belt (Gas Models ONLY)
	100179	2	BX-75 V-Belt (Steam Models ONLY)
17	101165	1	2B 18.4 Pulley
18	101154	1	SK x 1-3/4 Bushing Models
19	101196	1	SDS x 1-5/8 Bushing
20	101202	1	2B 5.2 Pulley (60 Hz Gas Models ONLY)
	101185	1	2B 6.2 Pulley (50 Hz Gas Models ONLY)
	101175	1	2B 6.8 Pulley (Steam Models ONLY)
21	152011	4	1/2-13 Hex Nut
22	153011	4	1/2" Flat Washer
23	181006	1	25 HP 3600 RPM Motor
24	150606	4	1/2-13 x 2" Long Hex Bolt
25	153026	4	1/2" Lock Washer
26	154322	4	3/8-24 x 7/16" Long Set Screw
27	814074	1	Fan Motor Adjustment Angle
28	152011	4	1/2-13 Hex Nut
29	334635	1	Fan Motor Adjustment Block
30	153026	2	1/2" Lock Washer
31	150630	2	1/2-13 x 6" Hex Head Bolt
32	150618	2	1/2-13 x 1" Hex Head Bolt
33	100816	2	1-3/4" Dia. Retaining Clip (Used on models mfd. prior to 11-18-96)



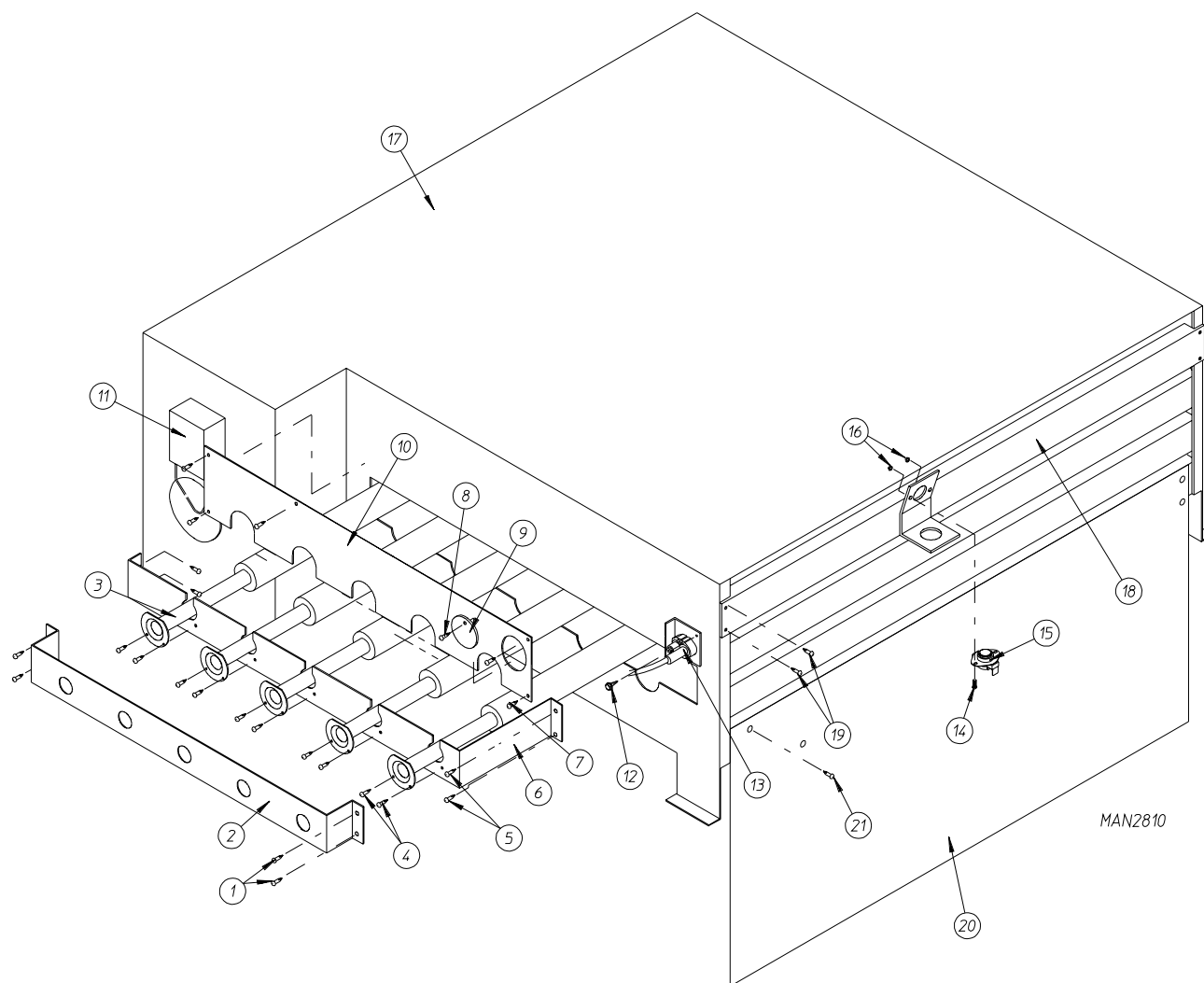
MAN2841

<u>Illus. No.</u>	<u>Part No.</u>	<u>Qty</u>	<u>Description</u>
1	814008	1	Sensor Bracket Assembly
	814009	1	Sensor Bracket Assembly Complete (includes illus. nos. 1 through 10)
2	150000	2	#6-32 x 1/4" Slotted Round Head Machine Screw
3	153010	2	#6 Star Washer
4	130112	1	L-225 Thermostat
5	152000	3	#6-32 Hex Nut
6	121028	2	1/4" x .032 Insulated Terminal
7	122701	4	Sockets
8	122605	1	4 Pin Socket Connector (Female)
9	154007	2	1/4" Push-On Fastener
10	880251	1	1/4" Temperature Sensor Probe Assembly (includes illus. nos. 6 through 10)
11	150301	4	#8-18 x 7/16" Phillips Pan Head TEK Screw



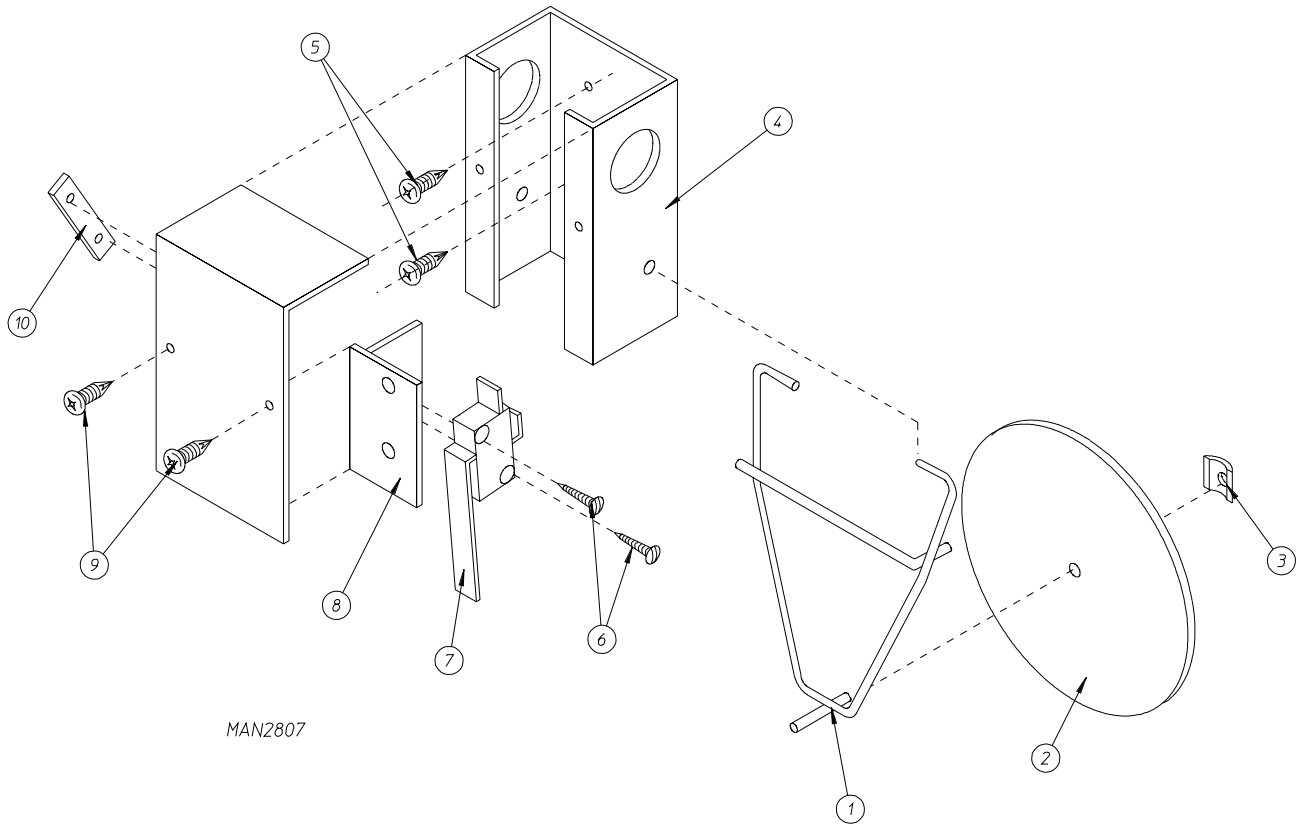
MAN2874

<u>Illus. No.</u>	<u>Part No.</u>	<u>Qty</u>	<u>Description</u>
1	880815	1	DSI Module 50/60 Hz
2	820100	1	DSI Module Mount Assembly ONLY
3	121400	2	Universal Bushing
4	150522	3	1/4-20 x 1/2" Self Tapping Hex Head Machine Screw
5	150301	1	#8-18 x 7/16" Phillips Pan Head TEK Screw
6	153010	4	#6 Star Washer
7	152000	4	#6-32 Hex Nut

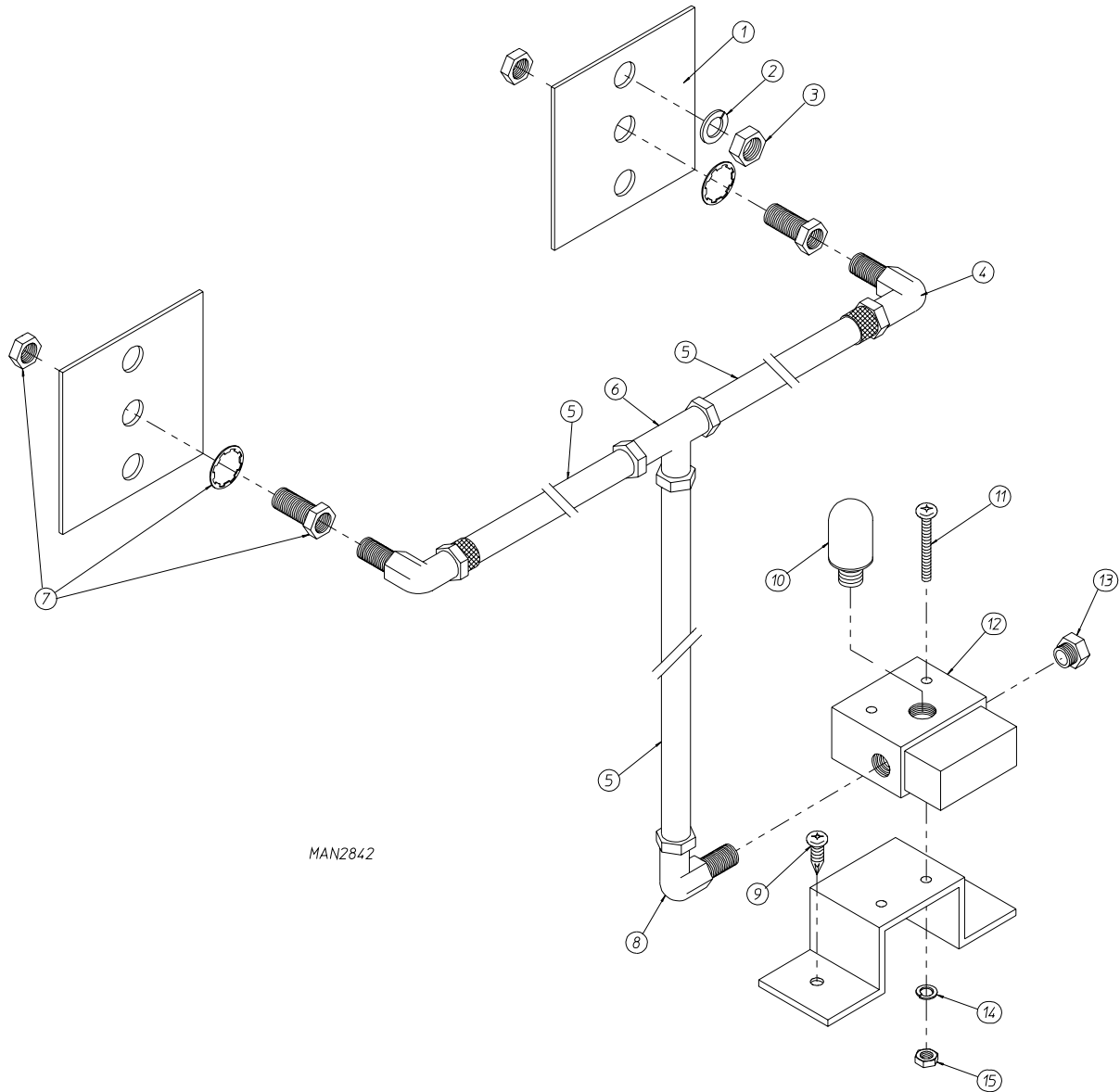


<u>Illus. No.</u>	<u>Part No.</u>	<u>Qty</u>	<u>Description</u>
1	150301	4	#8-18 x 7/16" Phillips Pan Head TEK Screw
2	334086	1	Manifold Rest
3	141110	5	Burner Tube
4	150301	10	#8-18 x 7/16" Phillips Pan Head TEK Screw
5	150301	4	#8-18 x 7/16" Phillips Pan Head TEK Screw
6	334083	1	Front Burner Tube Rest
7	150301	5	#8-18 x 7/16" Phillips Pan Head TEK Screw
8	150301	5	#8-18 x 7/16" Phillips Pan Head TEK Screw
9	331290	1	Sight Hole Disk
10	332597	1	Burner Box Cover Plate
11	-----	1	Sail Switch Assembly See Page: 44
12	150309	2	#10-16 x 1/2" Hex Head Crimptite Screw
13	880325	1	Ignitor/Flame Probe Assembly Kit
14	150001	2	#6-32 x 1/2" Round Head Machine Screw
15	130401	1	L-330 Hi-Limit
16	151000	2	#6-32 Pal Nut
17	881395	1	Front Burner Box ONLY
18	881144	1	Hi-Limit Mounting Bracket
19	150301	4	#8-18 x 7/16 Phillips Pan Head TEK Screw
20	332826	1	Burner Baffle
21	150301	4	#8-18 x 7/16" Phillips Pan Head TEK Screw

<u>Illus. No.</u>	<u>Part No.</u>	<u>Qty</u>	<u>Description</u>
1	150301	4	#8-18 x 7/16" Phillips Pan Head TEK Screw
2	334086	1	Manifold Rest
3	141110	5	Burner Tube
4	150301	10	#8-18 x 7/16" Phillips Pan Head TEK Screw
5	150301	4	#8-18 x 7/16" Phillips Pan Head TEK Screw
6	334084	1	Rear Burner Tube Rest
7	150301	5	#8-18 x 7/16" Phillips Pan Head TEK Screw
8	150301	1	#8-18 x 7/16" Phillips Pan Head TEK Screw
9	331290	1	Sight Hole Disk
10	332597	1	Burner Box Cover Plate
11	-----	1	Sail Switch Assembly See Page: 44
12	150309	2	#10-16 x 1/2" Hex Head Crimptite Screw
13	880325	1	Ignitor/Flame Probe Assembly Kit
14	150001	2	#6-32 x 1/2" Round Head Machine Screw
15	130401	1	L-330 Hi-Limit
16	151000	2	#6-32 Pal Nut
17	881394	1	Rear Burner Box ONLY
18	881144	1	Hi-Limit Mounting Bracket
19	150301	4	#8-18 x 7/16 Phillips Pan Head TEK Screw
20	332826	1	Burner Baffle
21	150301	4	#8-18 x 7/16" Phillips Pan Head TEK Screw

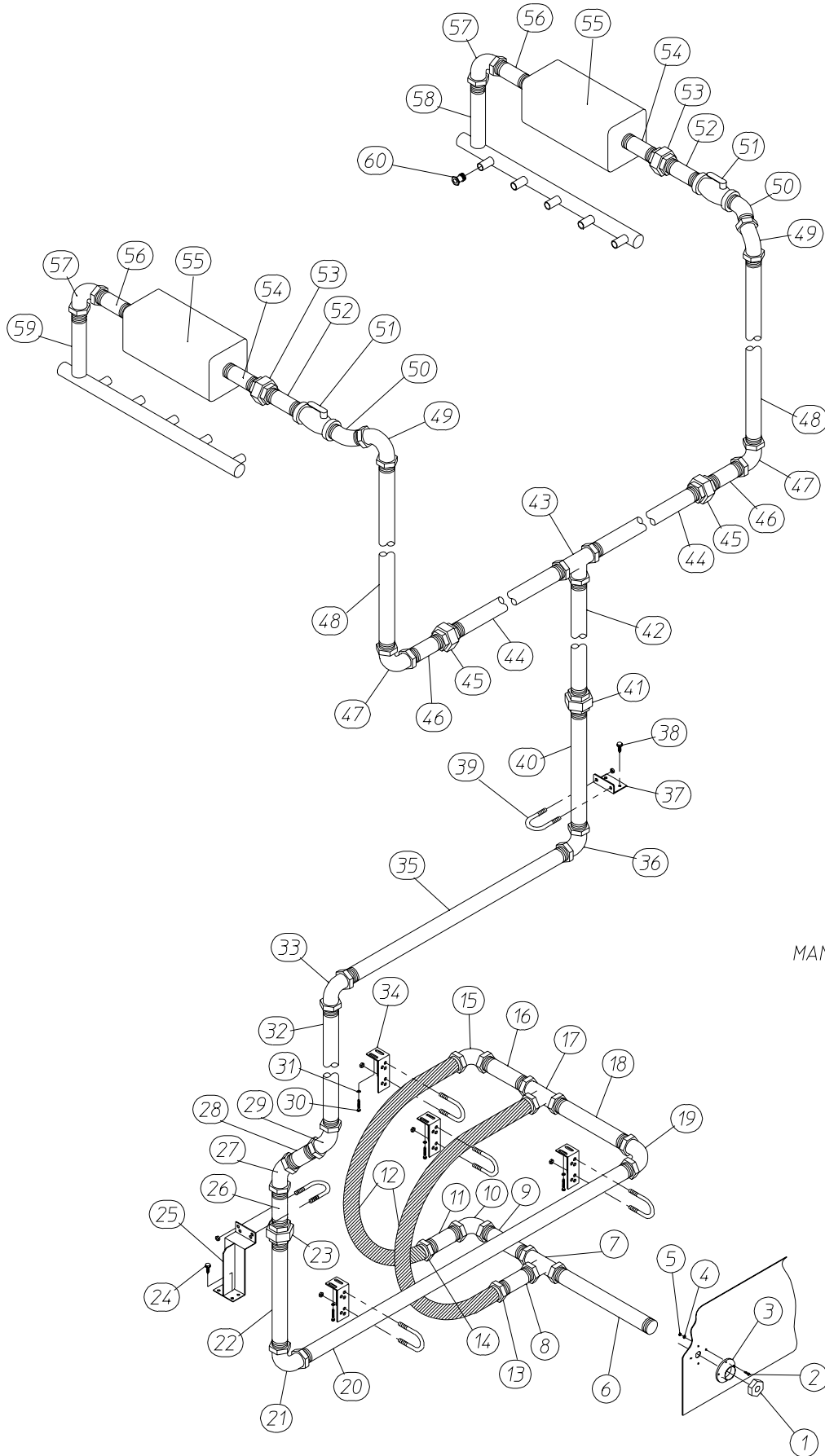


<u>Illus. No.</u>	<u>Part No.</u>	<u>Qty</u>	<u>Description</u>
1	105500	1	Sail Switch Actuator Rod
2	332689	1	Sail Switch Damper
3	154002	1	1/8" Push On Fastener
4	802800	1	Sail Switch Box with Cover and Bracket ONLY (items 4, 8, and 9)
	881376	1	Sail Switch Box Assembly Complete (includes illus. nos. 1 through 4 and 6 through 10)
5	150300	2	#10 x 1/2" Hex Washer Head TEK Screw
6	150303	2	#4 x 3/4" Pan Head Machine Screw
7	122404	1	Sail Switch
8	802799	1	Sail Switch Box Cover and Bracket ONLY
9	150309	2	#10-16 x 1/2" Hex Head Crimpite Screw
10	154004	1	Twin Speed Nut



MAN2842

<u>Illus. No.</u>	<u>Part No.</u>	<u>Qty</u>	<u>Description</u>
1	332531	2	Air Jet Mounting Plate
2	153007	4	1/4" Lock Washer
3	152002	4	1/4-20 Hex Nut
4	143277	2	1/4" Comp. x 1/8" M.P.T. Connector
5	143100	3	1/4" Aluminum Tubing (Sold by the foot)
6	143271	1	1/4" Comp. Union Tee
7	143259	2	Bulkhead Fitting, 1/4" Comp. x 1/8" F.P.T.
8	143277	1	1/4" Comp. x 1/8" M.P.T. 90 Degree Brass Elbow
9	150309	2	10-16 x 1/2" Hex Head Crimpite Screw
10	100520	1	1/8" Muffler
11	150002	2	#6-32 x 1" Phillips Round Head Machine Screw
12	100498	1	3 Way Valve
13	100472	1	1/4" Poly x 1/8" M.P.T. Connector
14	153010	2	#6 Star Washer
15	152000	2	#6-32 Hex Nut

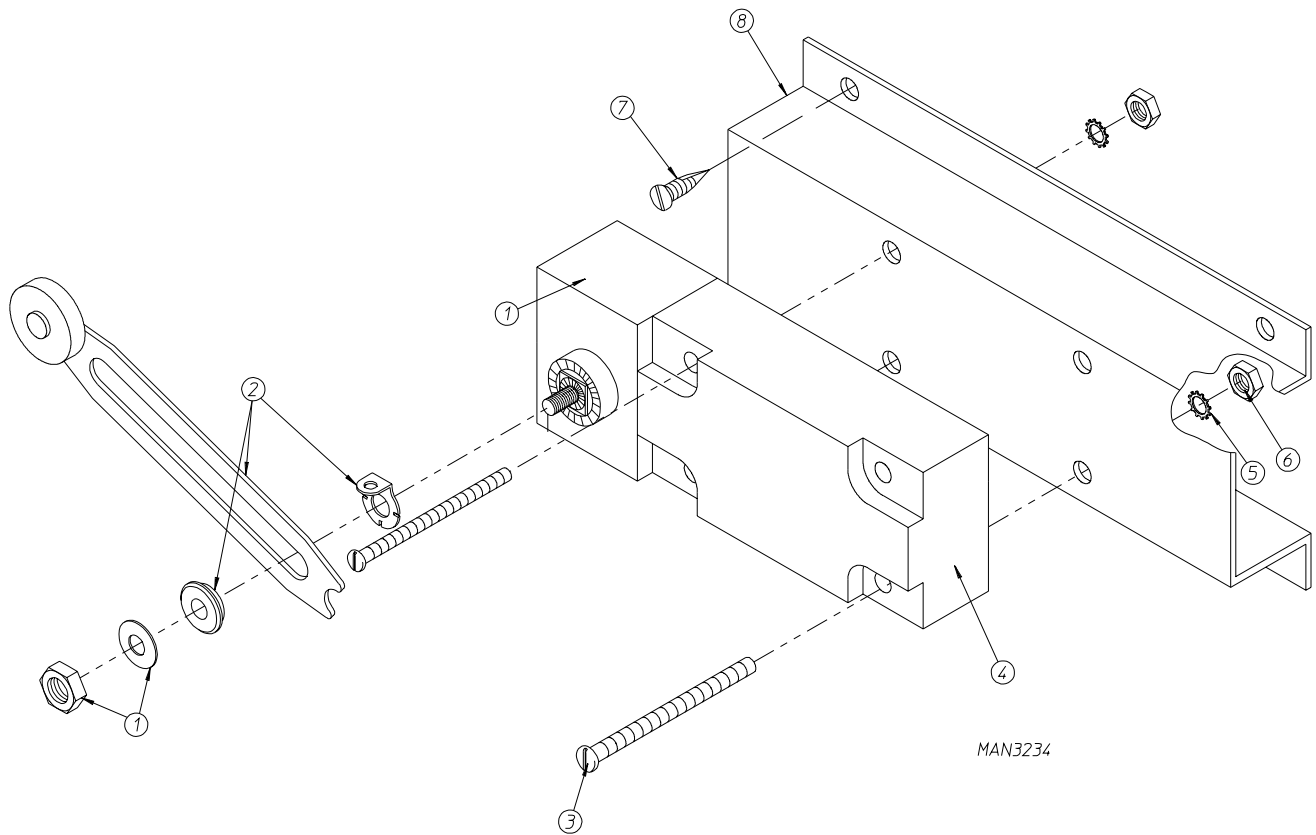


MAN2829

<u>Illus. No.</u>	<u>Part No.</u>	<u>Qty</u>	<u>Description</u>
1	142931	1	2" x 1-1/2" Double Tapped Bushing
2	150504	4	5/16-18 x 1" Long Hex Nut
3	142514	1	2" Floor Flange
4	153002	4	5/16" Lock Washer
5	152004	4	5/16-18 Hex Nut
6	142569	1	1-1/2" x 18" Long Nipple
7	142611	1	1-1/2" x 1-1/4" x 1-1/4" Tee
8	142725	1	1-1/4" x 2" Long Nipple
9	142725	1	1-1/4" x 2" Long Nipple
10	142554	1	1-1/4" x 90° Elbow
11	142725	1	1-1/4" x 2" Long Nipple
12	141416	2	1-1/4" x 48" Flex Hose
13	142558	1	1-1/4" Union
14	142558	1	1-1/4" Union
15	142554	1	1-1/4" x 90° Elbow
16	142725	1	1-1/4" x 2" Long Elbow
17	142611	1	1-1/2" x 1-1/4" x 1-1/4" Tee
18	142573	1	1-1/2" x 10" Long Nipple
19	142512	1	1-1/2" x 90° Elbow
20	142736	1	1-1/2" x 20" Long Nipple
21	142512	1	1-1/2" x 90° Elbow
22	142596	1	1-1/2" x 5" Long Nipple
23	142603	1	1-1/2" Union
24	150522	4	TEK Screw
25	814063	1	Gas Pipe Bracket
26	142596	1	1-1/2" x 5" Long Nipple
27	142915	1	1-1/2" x 45° Elbow
28	142738	1	1-1/2" x 2" Long Nipple
29	142915	1	1-1/2" x 45° Elbow
30	150510	8	1/4-20 x 3/4" Long Hex Head Bolt
31	153007	8	1/4" Lock Washer
32	142736	1	1-1/2" x 20" Long Nipple
33	142512	1	1-1/2" x 90° Elbow
34	334602	4	Bottom Gas Pipe Bracket
35	142736	1	1-1/2" x 20" Long Nipple
36	142512	1	1-1/2" x 90° Elbow
37	332828	1	Pipe Bracket
38	150522	2	TEL Screw
39	154351	6	1-1/2" Pipe U-Bolt
40	142808	1	1" x 3" Long Nipple
41	142603	1	1-1/2" Union
42	142573	1	1-1/2" x 10" Long Nipple
43	142841	1	1-1/4" x 1-1/4" x 1-1/2" Tee
44	142599	2	1-1/4" x 22" Long Nipple
45	142558	2	1-1/4" Union
46	142725	2	1-1/4" x 2" Long Nipple

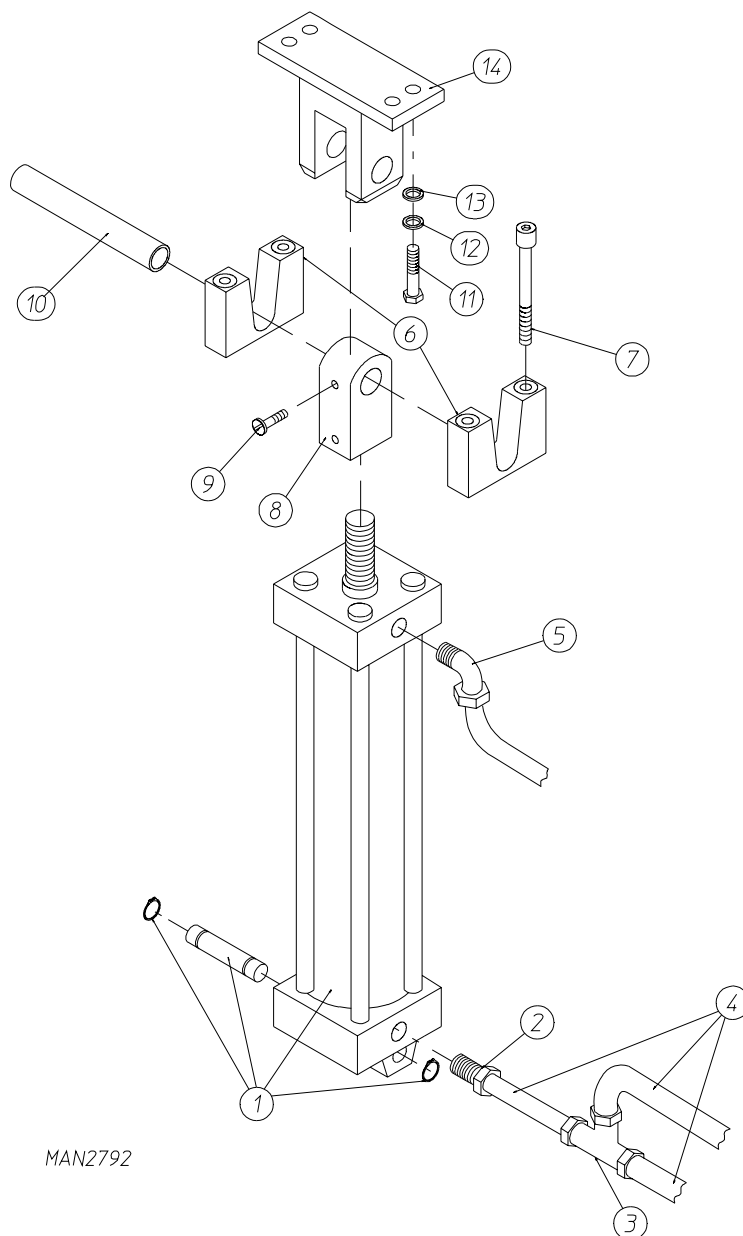
Continued on next page.

<u>Illus. No.</u>	<u>Part No.</u>	<u>Qty</u>	<u>Description</u>
47	142554	2	1-1/4" x 90° Elbow
48	142575	2	1-1/4" x 18" Long Nipple
49	142728	2	1" to 1-1/4" Reducing Elbow
50	142844	2	1" x 45° Male Elbow
51	141302	2	1" Shut-Off
52	142808	2	1" x 3" Long Nipple
53	142602	2	1" Union
54	142711	2	1" Close Nipple
55	140017	2	1" 24V Gas Valve (Natural Gas)
	140018	2	L.P. Gas Valve Conversion Kit
56	142724	2	1" x 2" Long Nipple
57	142548	2	1" x 90° Elbow
58	141242	1	Rear Manifold, 5 Port
59	141241	1	Front Manifold, 5 Port
60	140840	10	#1 Burner Orifice (natural gas) ONLY
	140821	10	#28 Burner Orifice (liquid propane gas) ONLY
	881425	1	ADG-410 L.P. Conversion Kit

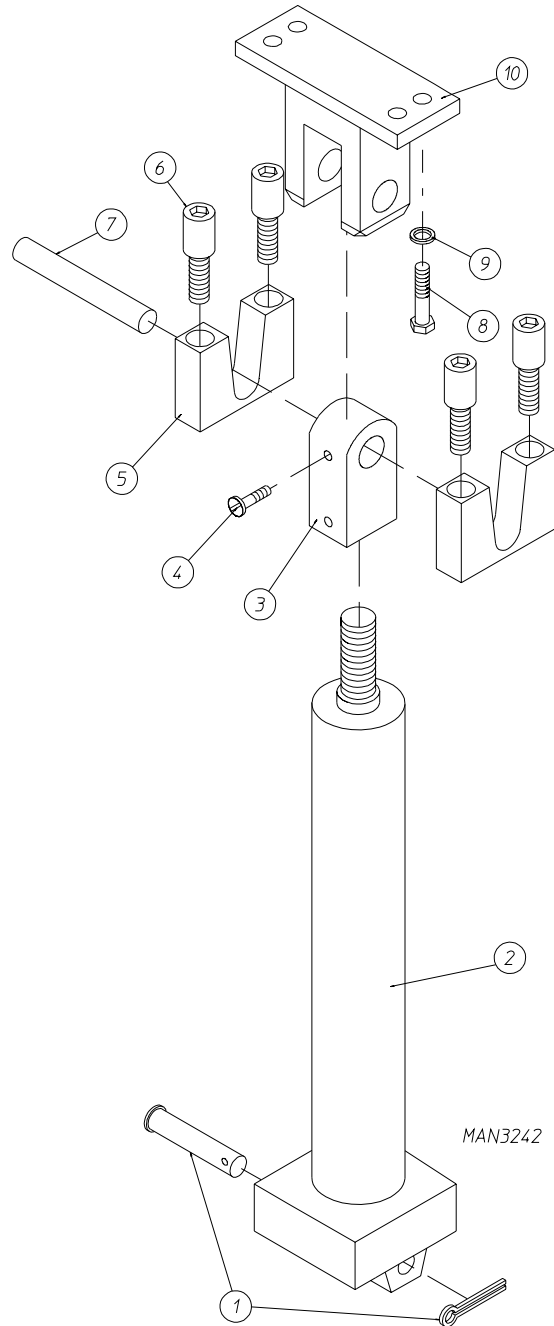


Illus. No.	Part No.	Qty	Description
1	881252	1	Tilt Switch Assembly Complete (includes illus. nos. 1, 2, and 4)
	122365	1	Limit Switch Rotary Head ONLY
2	122369	1	Tilt Switch Arm
3	150211	4	10-32 x 2" Phillips Pan Head Machine Screw
4	122367	1	Tilt Switch Body
5	153009	4	#10 Star Washer
6	152008	4	#10-32 Hex Nut
7	150309	4	#10-16 x 1/2" Hex Head Crimpite Screw
8	332794	1	Tilt Switch Bracket

NOTE: One assembly for one-way tilt models.
Two assemblies for two-way tilt models.

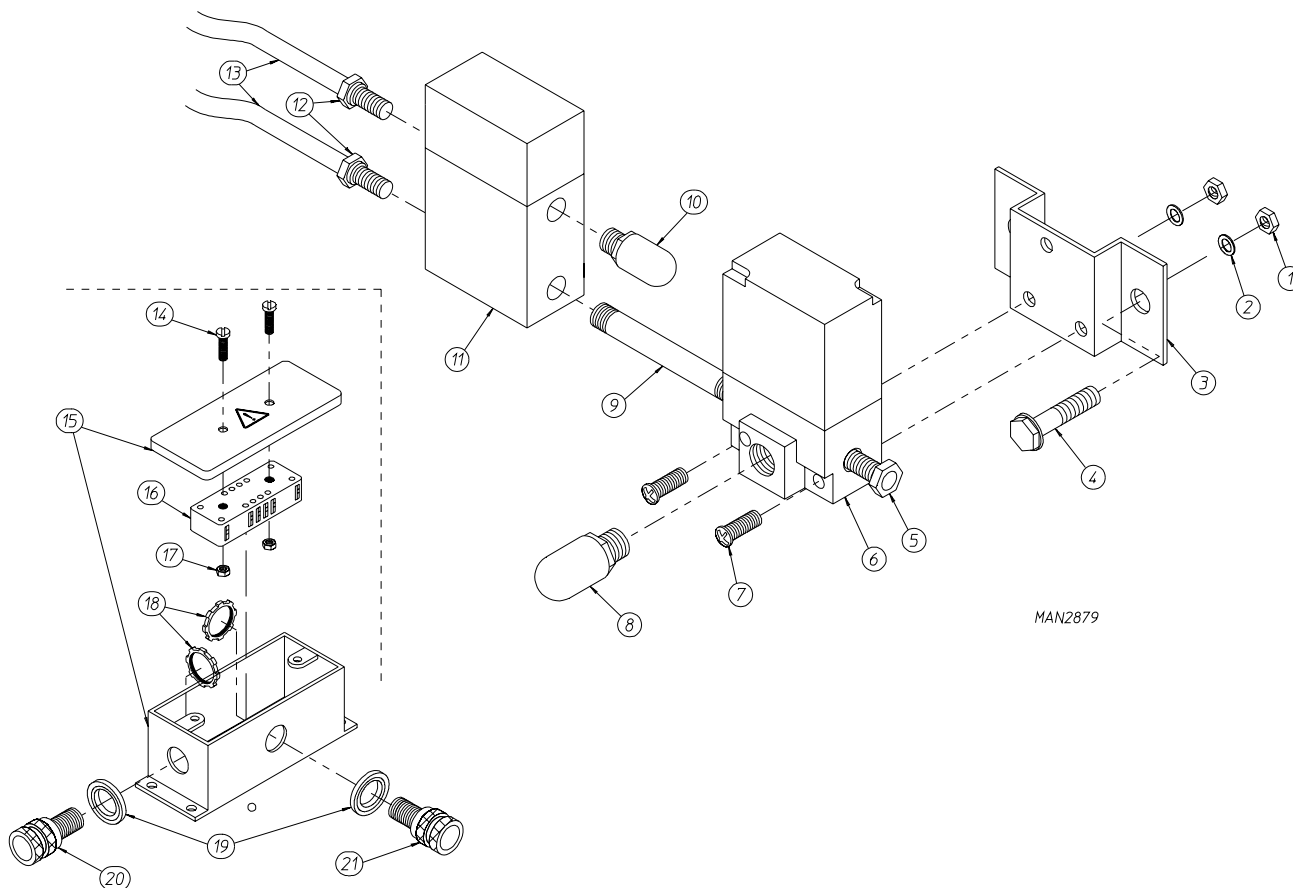


<u>Illus. No.</u>	<u>Part No.</u>	<u>Qty</u>	<u>Description</u>
1	100562	1	Piston (5" Bore, 15" Stroke)
2	143283	1	3/8" Poly x 3/8" M.P.T. Straight Connector
3	143221	1	3/8" Poly Tee, Brass
4	143120	20	3/8" Poly Tubing (Sold by the foot)
5	143213	1	3/8" Poly x 3/8" M.P.T. Elbow, Brass
6	334309	2	Cylinder Pin Nylon Bumper
7	150435	4	3/8-16 x 3" Socket Head Cap Screw
8	100553	1	Rod Eye
9	154315	2	1/2-20 x 1-1/8" Socket Head Set Screw
10	331543	1	1" Dia. Pin
11	150599	4	1/4-20 x 1-1/4" Hex Head Machine Bolt
12	153026	4	1/2" Lock Washer
13	153011	4	9/16" I.D. Flat Washer
14	881170	1	Clevis Assembly



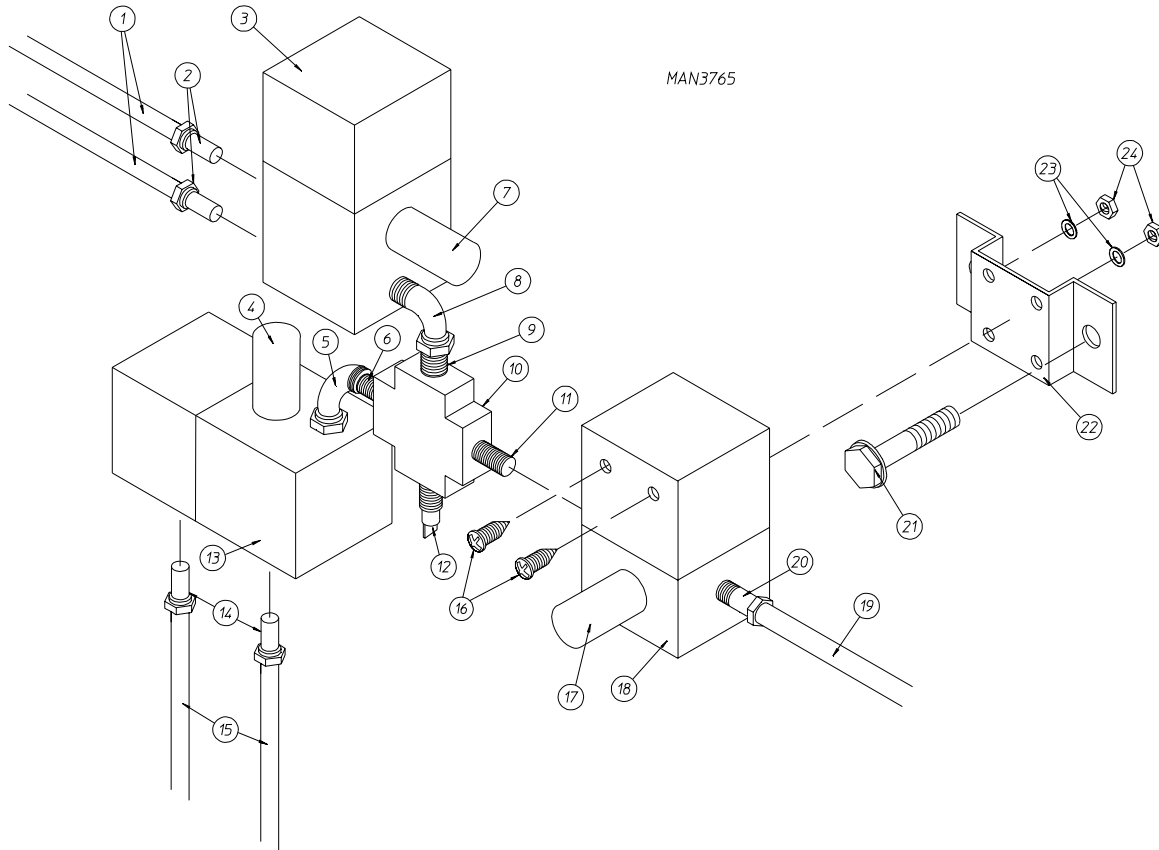
<u>Illus. No.</u>	<u>Part No.</u>	<u>Qty</u>	<u>Description</u>
1	100487	1	3/4" Diameter Pin with Cotter Pin
2	881529	1	Post Assembly
3	100553	1	Rod Eye
4	154315	2	1/4-20 x 1" Socket Head Set Screw
5	334309	2	Nylon Bumper
6	150435	4	3/8-16 x 3" Socket Head Cap Screw
7	331543	1	1" Diameter Pin
8	150599	4	1/2-20 x 1-1/8" Hex Head Bolt
9	153026	4	1/2" Lock Washer
10	881170	1	Clevis Assembly

For 1 Automatic Door

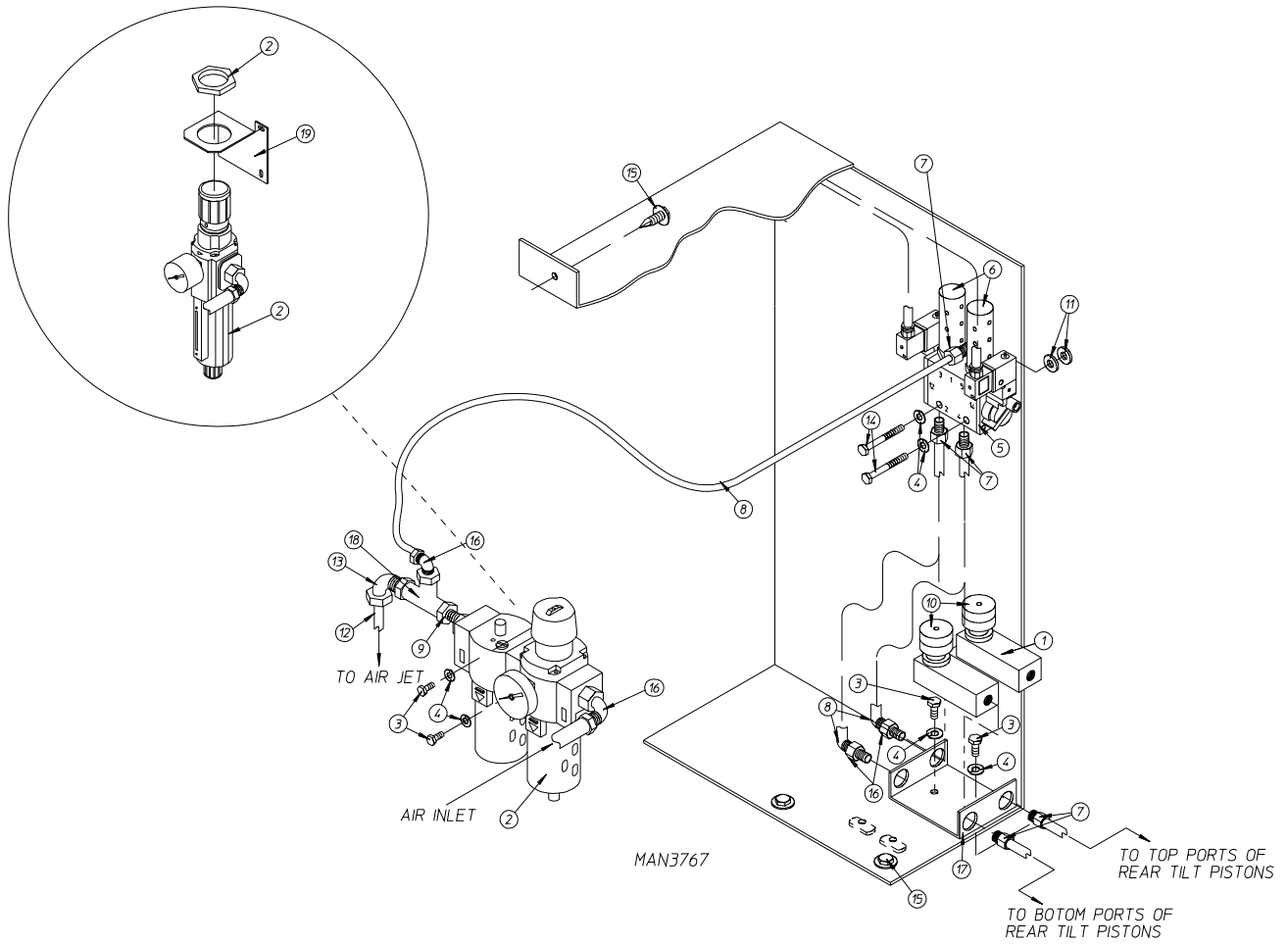


Illus. No.	Part No.	Qty	Description
1	152000	2	#6-32 Hex Nut
2	153010	2	#6 Star Washer
3	330987	1	Valve Mounting Bracket
4	150522	2	1/4-20 x 1/2" Hex Head TEK Screw
5	143289	1	1/4" Poly x 1/8" M.P.T. Connector
6	100498	1	3 Way Valve
7	150002	2	#6-32 x 1" Phillips Round Head Machine Screw
8	100520	1	1/8" Muffler
9	143239	1	1/8" 2-1/2" Brass Nipple
10	100520	1	1/8" Muffler
11	100468	1	4 Way Valve, 24 Volt
12	143289	2	1/4" Poly x 1/8" M.P.T. Connector
13	143115	38	1/4" Poly Flo Tubing (sold by the foot)
14	150008	2	#6-32 x 1-1/4" Right Hand Machine Screw
15	814349	1	AD-410 Solenoid Interface Junction Box
16	120703	1	6 Position Screw Connector
17	152000	2	#6-32 Hex Nut
18	120915	2	1/2" N.P.T. Lock Nut
19	120914	2	1/2" N.P.T. Metal Clad Sealing Washer
20	120656	1	Straight Brown Cord Grip Connector
21	120653	1	Straight White Cord Grip Connector

For 2 Automatic Doors

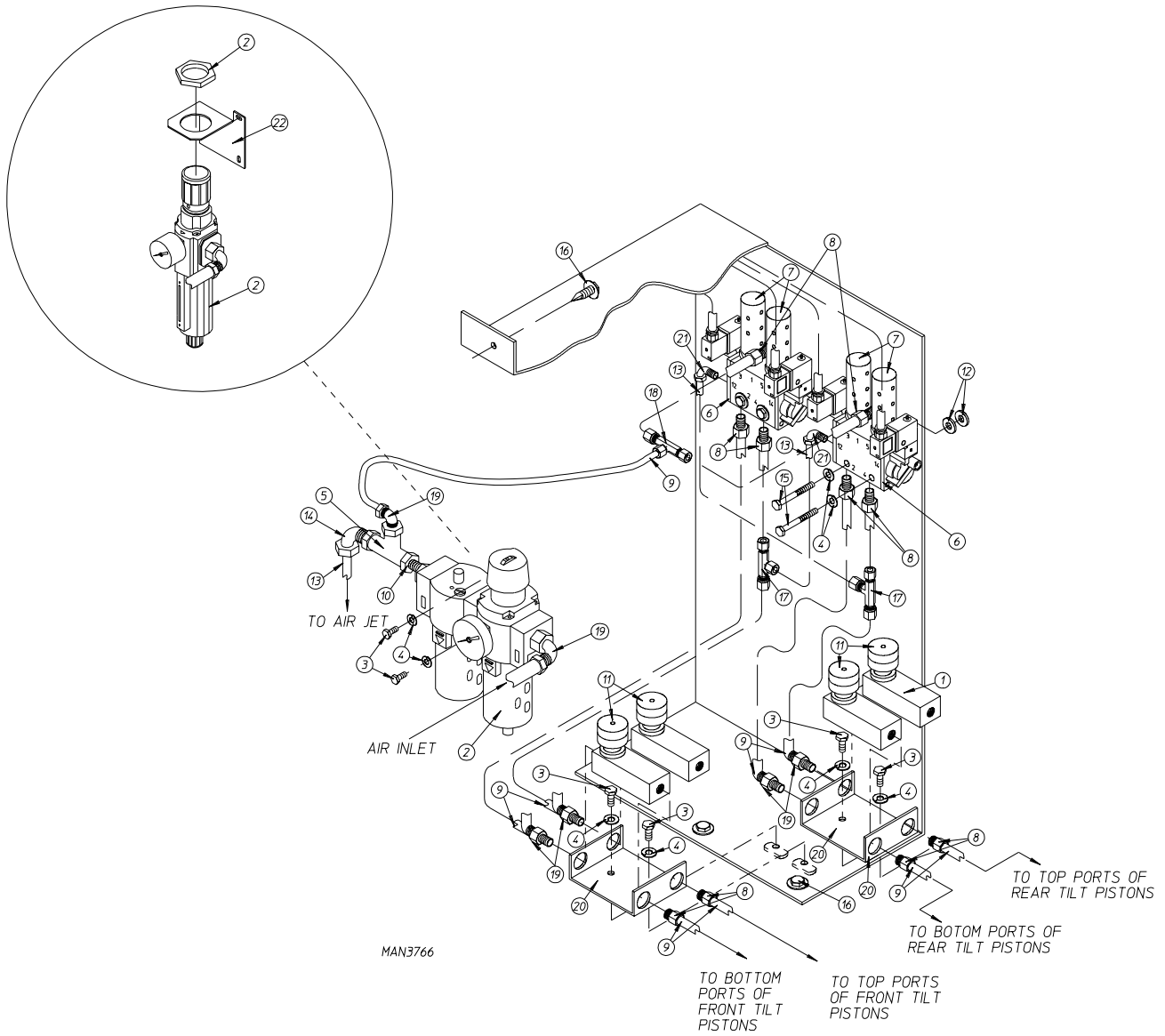


Illus. No.	Part No.	Qty	Description
1	143115	-	1/4" Poly Flow Tubing (Sold by the foot)
2	143289	2	1/4" Poly x 1/8" MPT Connector
3	100468	1	4-Way Valve 24 Volt
4	100520	1	1/8" Muffler
5	143268	1	1/8" Brass Street Elbow
6	143238	1	1/8" Close Nipple
7	100520	1	1/8" Muffler
8	143268	1	1/8" Brass Street Elbow
9	143238	1	1/8" Close Nipple
10	143237	1	1/8" Brass Cross
11	143238	1	1/8" Close Nipple
12	143250	1	1/8" Brass Plug
13	100468	1	4-Way Valve 24 Volt
14	143289	2	1/4" Poly x 1/8" MPT Connector
15	143115	-	1/4" Poly Flow Tubing (Sold by the foot)
16	150002	2	#6-32 x 1" Phillips Round Head Machine Screw
17	100520	1	1/8" Muffler
18	100498	1	3-Way Valve 24 Volt
19	143115	-	1/4" Poly Flow Tubing
20	143289	1	1/4" Poly x 1/8" MPT Connector
21	150522	2	1/4-20 x 1/2" Hex Head TEK Screw
22	330987	1	Valve Mounting Bracket
23	153010	2	#6 Star Washer
24	152000	2	#6-32 Hex Nut



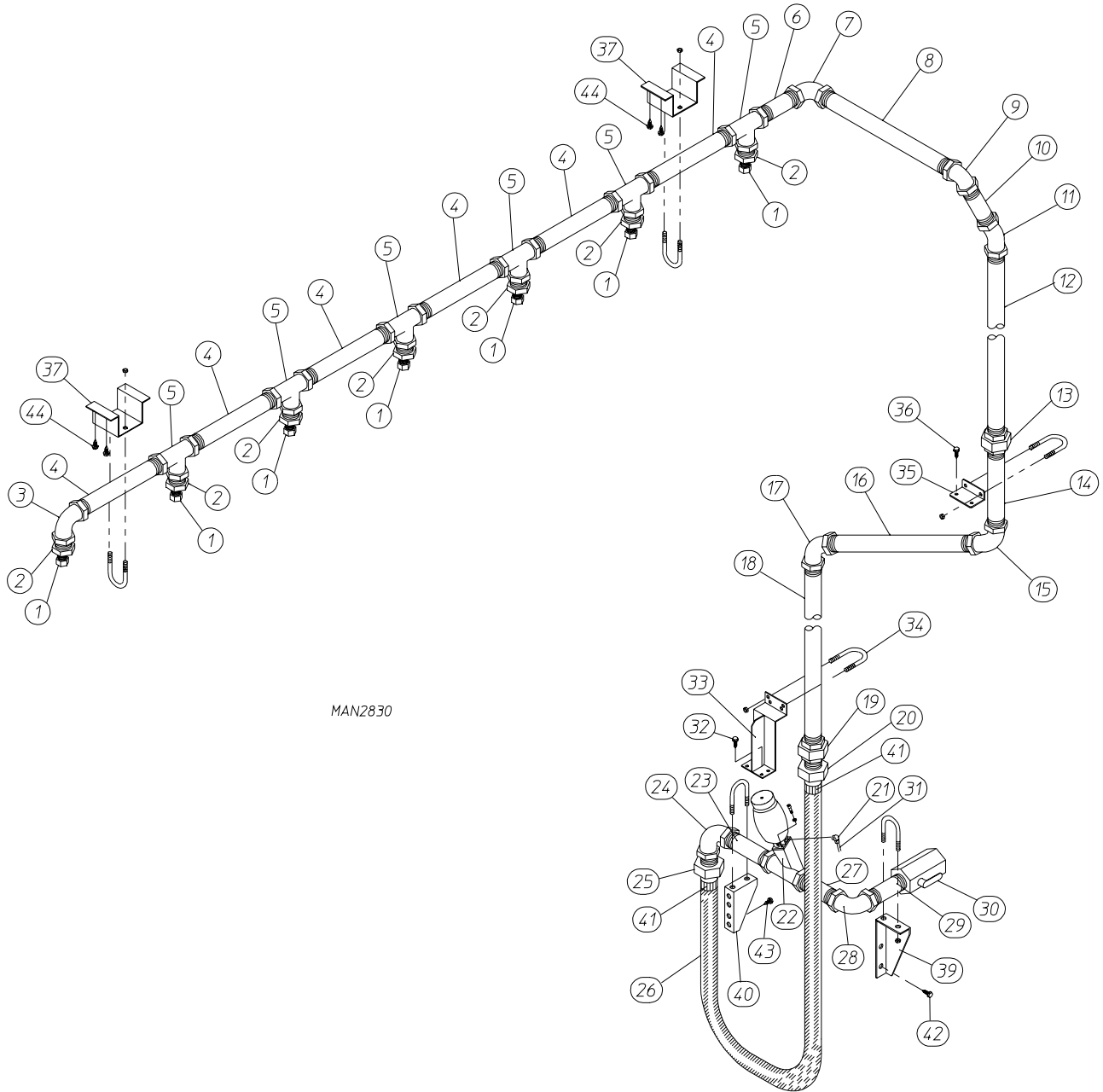
For One-Way Tilt Models

<u>Illus. No.</u>	<u>Part No.</u>	<u>Qty</u>	<u>Description</u>
1	814011	1	Pneumatic Plate ONLY
2	100479	1	3/8" Filter/Regulator Gauge (for models mfd. as of July 14, 1997)
	100516	1	Filter/Regulator/Lubricator Gauge (for models mfd. prior to July 14, 1997)
3	150512	4	1/4-20 x 1/2" Hex Head Bolt
4	153007	6	1/4" Lock Washer
5	100558	1	5 Port, 3 Position, 24 VAC Tilting Solenoid
6	100462	2	3/8" Muffler
7	143283	5	3/8" Poly x 3/8" MPT Straight Connector
8	143120	-	3/8" Poly Flo Tubing (Sold by the foot)
9	143241	1	3/8" Close Nipple
10	143206	2	3/8" Flow Control
11	153018	4	1/4" Flat Washer
12	143115	-	1/4" Poly Flo Tubing (Sold by the foot)
13	143290	1	1/4" Poly x 3/8" MPT Brass Elbow
14	150524	2	1/4-20 x 2" Hex Head Bolt
15	150522	6	1/4-20 x 1/2" Hex Head TEK Screw
16	143213	4	3/8" Poly x 3/8" MPT Brass Elbow
17	332841	1	Air Flow Valve Plate
18	143220	1	3/8" Brass Tee
19	332624	1	Filter/Regulator Adapter Bracket



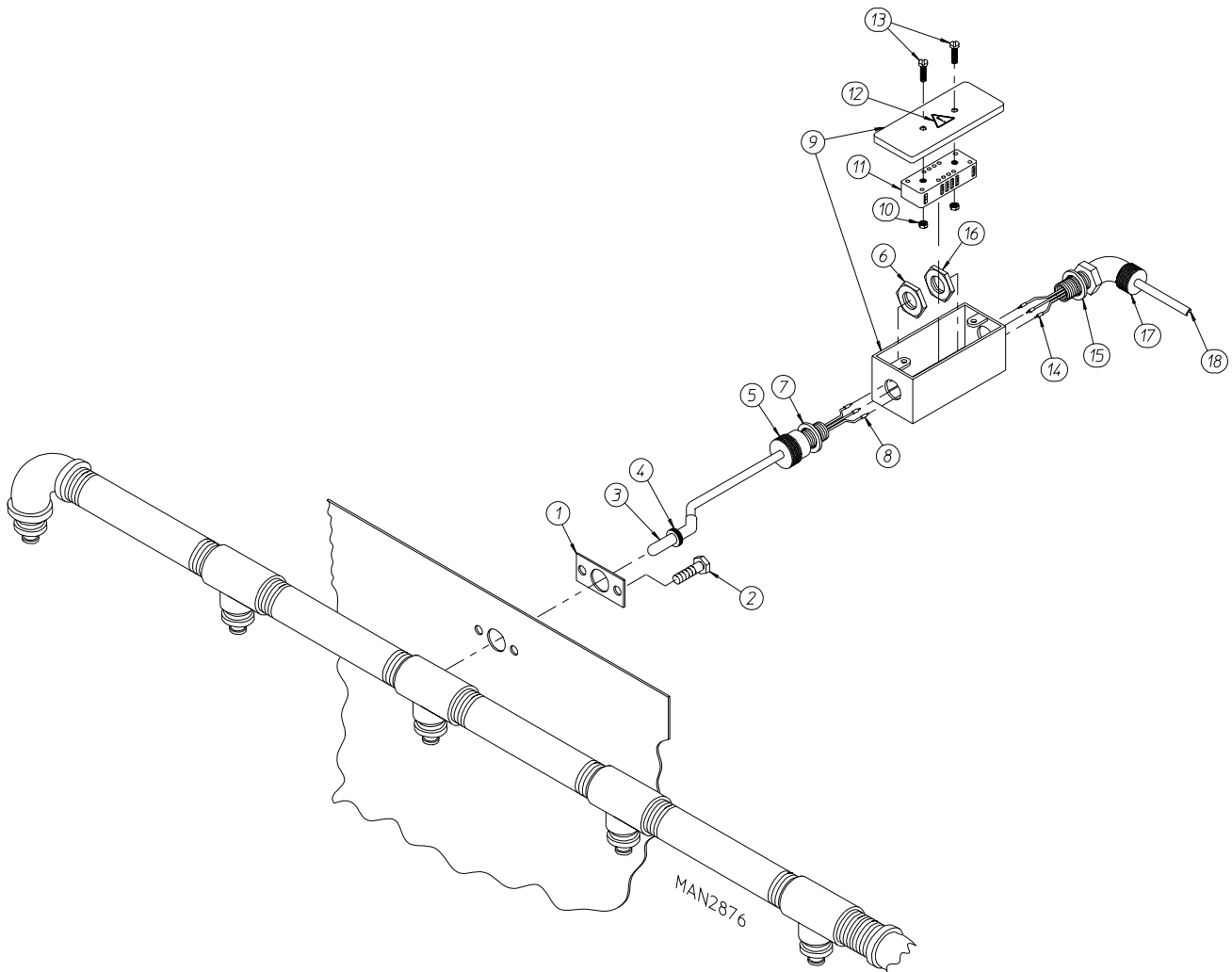
For Two-Way Tilt Models

<u>Illus. No.</u>	<u>Part No.</u>	<u>Qty</u>	<u>Description</u>
1	814011	1	Pneumatic Plate ONLY
2	100479	1	3/8" Filter/Regulator Gauge (for models mfd. as of July 14, 1997)
	100516	1	Filter/Regulator/Lubricator Gauge (for models mfd. prior to July 14, 1997)
3	150512	6	1/4-20 x 1/2" Hex Head Bolt
4	153007	10	1/4" Lock Washer
5	143220	1	3/8" Brass Tee
6	100558	2	Tilting Solenoid, 24 VAC, 5 Port, 3 Position
	100569	-	24 VAC Coil ONLY
7	100462	4	3/8" Muffler
8	143283	10	3/8" Poly x 3/8" MPT Brass Straight Connector
9	143120	8	3/8" Poly Flo Tubing (Sold by the foot)
10	143241	1	3/8" Close Nipple
11	143206	4	3/8" Flow Control
12	153018	8	1/4" Flat Washer
13	143115	14	1/4" Poly Flo Hi-Temp Tubing (Sold by the foot)
14	143290	1	1/4" Poly x 3/8" MPT Brass Elbow
15	150524	4	1/4-20 x 2" Long Bolt
16	150522	6	1/4-20 x 1/2" Hex Washer Head TEK Screw
17	143157	2	Reducing Poly Tee, 3/8" x 3/8" x 1/4"
18	143221	1	3/8" Poly Tee
19	143213	6	3/8" Poly x 3/8" MPT Brass Elbow
20	332841	2	Air Flow Valve Plate
21	143149	2	1/4" Poly x 1/8" MPT Elbow Connector
22	332624	1	3/8" Filter/Regulator Mounting Bracket (for models mfd. as of July 14, 1997)

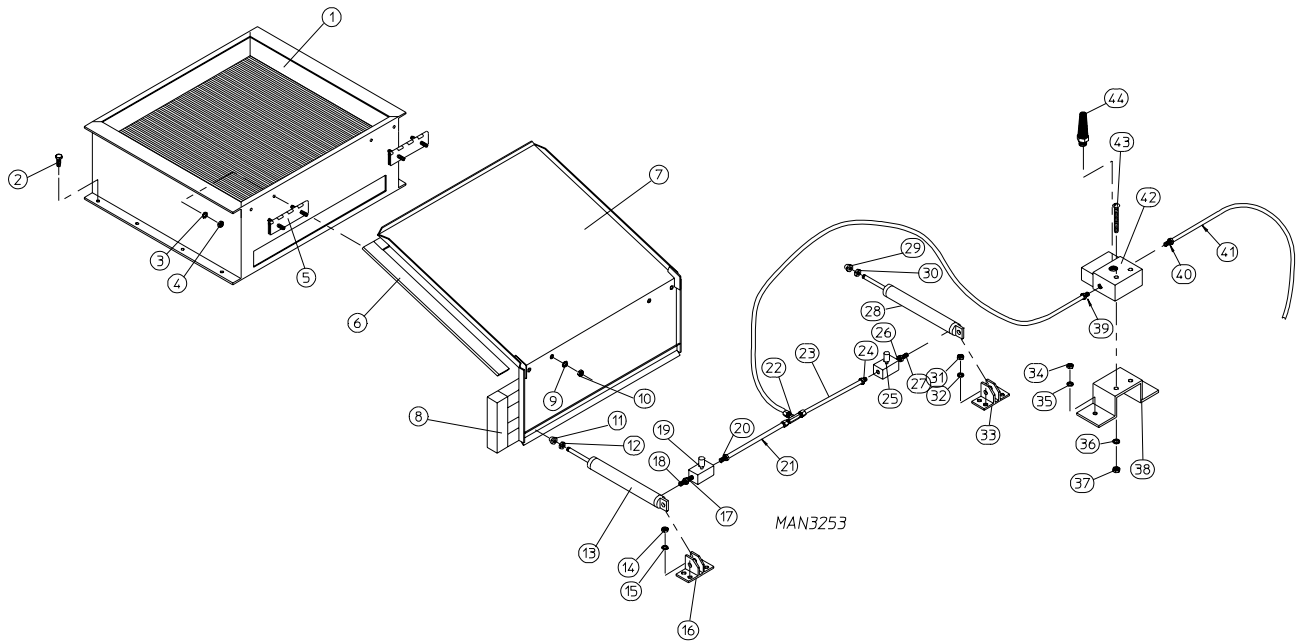


MAN2830

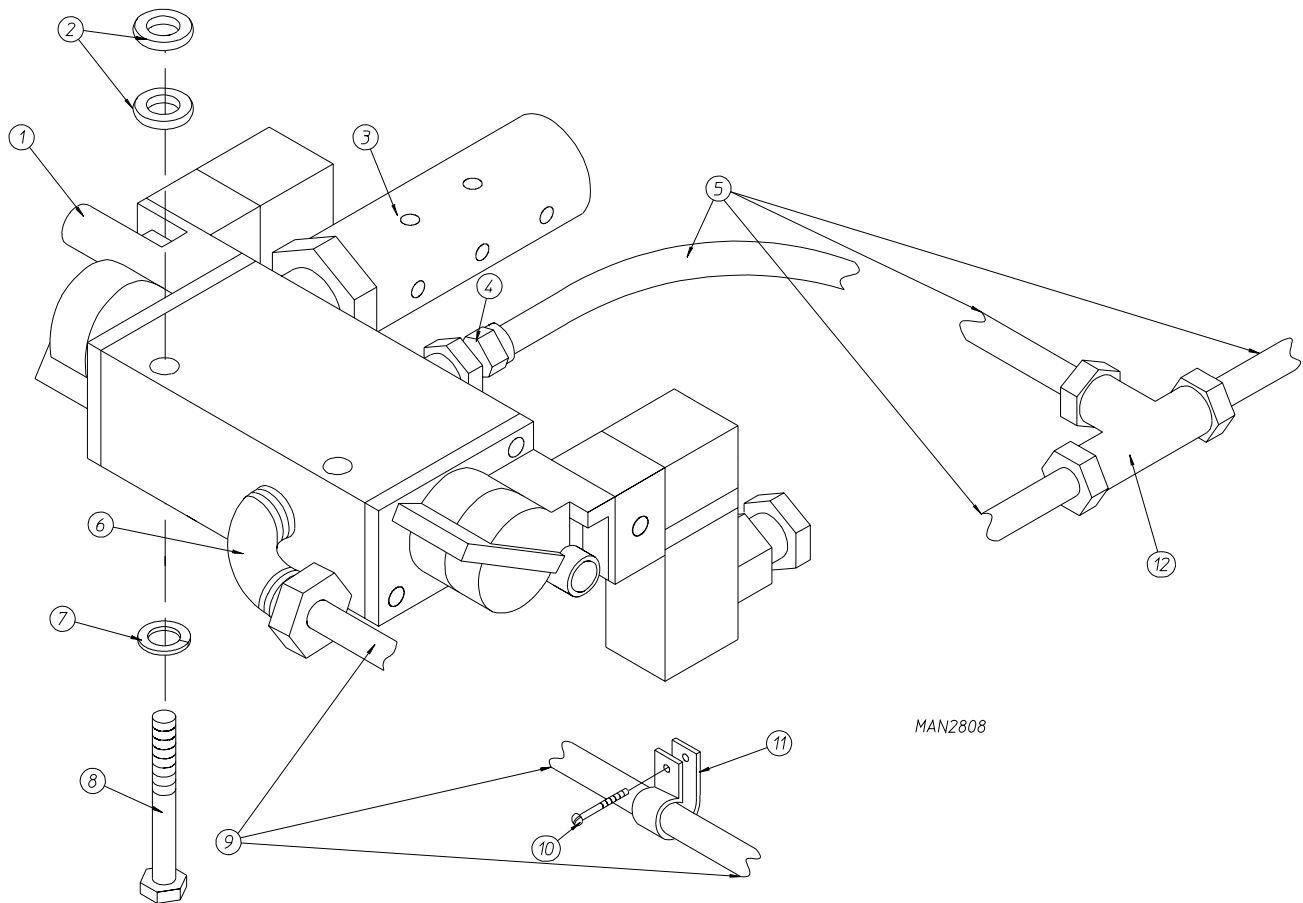
<u>Illus. No.</u>	<u>Part No.</u>	<u>Qty</u>	<u>Description</u>
1	881426	7	1/4" Hex Plug (1/4" Dia. Hole Drilled Through Center)
2	142926	7	1" x 1/4" Reducing Bushing
3	142548	1	1" x 90° Elbow
4	142579	6	1" x 6" Long Nipple
5	142508	6	1" Tee
6	142724	1	1" x 2" Long Nipple
7	142548	1	1" x 90° Elbow
8	142585	1	1" x 18" Long Nipple
9	142590	1	1" x 45° Elbow
10	142808	1	1" x 3" Long Nipple
11	142590	1	1" x 45° Elbow
12	142746	1	1" x 24" Long Nipple
13	142602	1	1" Union
14	142589	1	1" x 10" Long Nipple
15	142548	1	1" x 90° Elbow
16	142579	1	1" x 6" Long Nipple
17	142548	1	1" x 90° Elbow
18	142587	1	1" x 27-1/2" Long Nipple
19	142602	1	1" Union
20	143136	1	1" Dia. Hose Nipple
21	143210	1	1/4" Comp. x 1/4" MPT Brass Elbow
22	100565	1	1" Water Valve (for models mfd. as of September 9, 1996)
	881414	1	1" Water Valve (for models mfd. prior to September 9, 1996)
23	142808	1	1" x 3" Long Nipple
24	142548	1	1" x 90° Elbow
25	143136	1	1" Dia. Hose Nipple
26	143135	1	4' Long Flex Hose
27	142584	1	1" x 4-1/2" Long Nipple
28	142548	1	1" x 90° Elbow
29	142808	1	1" x 3" Long Nipple
30	143556	1	1" Ball Valve
31	143100	12	1/4" Aluminum Tubing (Sold by the foot)
32	150415	2	Crimptite Screw
33	814063	1	Lower Sprinkler Bracket
34	154350	6	1" Pipe U-Bolt
35	334255	1	1" Pipe Bracket
36	150522	2	1/4-20 x 1/2" TEK Screw
37	334610	2	Inner Sprinkler Pipe Bracket
38	150522	4	1/4-20 x 1/2" TEK Screw
39	334631	1	Sprinkler Bracket
40	331794	1	Inlet Pipe Bracket
41	143137	2	Hose Clamp
42	150522	2	1/4-20 x 1/2" TEK Screw
43	150522	4	1/4-20 x 1/2" TEK Screw
44	150522	8	1/4-20 x 1/2" TEK Screw



<u>Illus. No.</u>	<u>Part No.</u>	<u>Qty</u>	<u>Description</u>
1	331877	1	Temperature Sensor Mounting Plate
2	150523	2	1/4-20 x 3/4" Hex Head TEK Screw
3	881227	1	RTD Temperature Probe Assembly (includes illus. nos. 3, 4, and 8)
4	143296	1	1/4" Compression Fitting
5	120652	1	1/2" NPT Cord Grip (Red)
6	120915	1	1/2" NPT Locknut
7	120914	1	1/4" Metal Clad "O" Ring
8	122736	3	Yellow Ferrule
9	881228	1	Sprinkler Temperature Probe Box Assembly (includes illus. nos. 9 and 12)
10	152000	2	6-32 Hex Nut
11	120703	1	6 Position Terminal Block
12	122427	1	Caution Label
13	150008	2	6-32 x 1-1/4" Phillips Head Machine Screw
14	122736	3	Yellow Ferrule
15	120914	1	1/2" Metal Clad "O" Ring
16	120915	1	1/2" NPT Locknut
17	120650	1	90° Cord Grip (White)
18	881229	1	Sprinkler Temperature Probe Harness

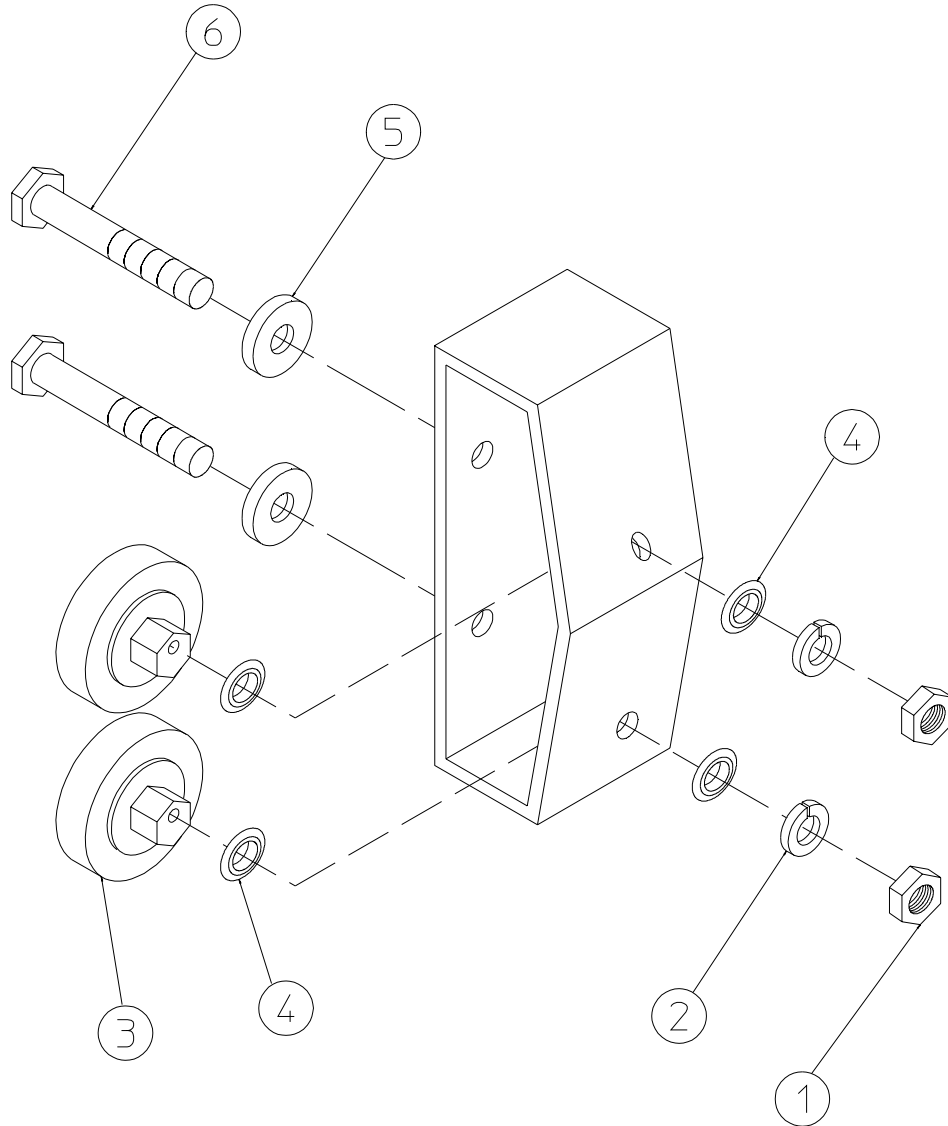


<u>Illus. No.</u>	<u>Part No.</u>	<u>Qty</u>	<u>Description</u>
1	165034	1	Steam Coil Assembly
2	150523	8	1/4-20 x 3/4" Hex Head TEK Screw
3	153007	4	1/4" Lock Washer
4	152002	4	1/4-20 Hex Nut
5	820321	2	Steam Damper Hinge Assembly
6	115995	144	Steam Damper Gasket (sold by the inch)
7	881661	1	Steam Damper Assembly (includes illus. nos. 6 through 8)
8	102350	2	Steam Damper Foam
9	153007	4	1/4" Lock Washer
10	152002	4	1/4-20 Hex Nut
11	151008	1	5/8-18 S.S. Acorn Nut
12	152030	1	5/8-18 Jam Nut
13	100525	1	2" Bore, 4" Stroke Piston
14	152002	4	1/4-20 Hex Nut
15	153007	4	1/4" Lock Washer
16	100526	1	Piston Pivot Bracket
17	143238	1	1/8" Brass Close Nipple
18	143264	1	1/4" Poly x 1/8" Brass Reducing Bushing
19	100496	1	1/8" Needle Valve
20	100472	1	1/4" Poly x 1/8" MPT Connector
21	143115	--	1/4" O.D. Tubing (sold by the foot)
22	143156	1	1/4" Poly Tee
23	143115	--	1/4" O.D. Tubing (sold by the foot)
24	100472	1	1/4" Poly x 1/8" MPT Connector
25	100496	1	1/8" Needle Valve
26	143264	1	1/4" Poly x 1/8" Brass Reducing Bushing
27	143238	1	1/8" Brass Close Nipple
28	100525	1	2" Bore, 4" Stroke Piston
29	151008	1	5/8-18 S.S. Acorn Nut
30	153030	1	5/8-18 Jam Nut
31	152002	4	1/4-20 Hex Nut
32	153007	4	1/4" Lock Washer
33	100526	1	Piston Pivot Bracket
34	152002	2	1/4-20 Hex Nut
35	153007	2	1/4" Lock Washer
36	153010	2	#6 Star Washer
37	152000	2	6-32 Hex Nut
38	330987	1	Micro Valve Support
39	100472	1	1/4" Poly x 1/8" MPT Connector
40	100472	1	1/4" Poly x 1/8" MPT Connector
41	143115	--	1/4" O.D. Tubing (sold by the foot)
42	100498	1	3-Way Micro Valve - 24 VAC
43	150002	2	6/32 x 1" Phillips Head Machine Screw
44	100520	1	1/8" N.P.T Silencer



MAN2808

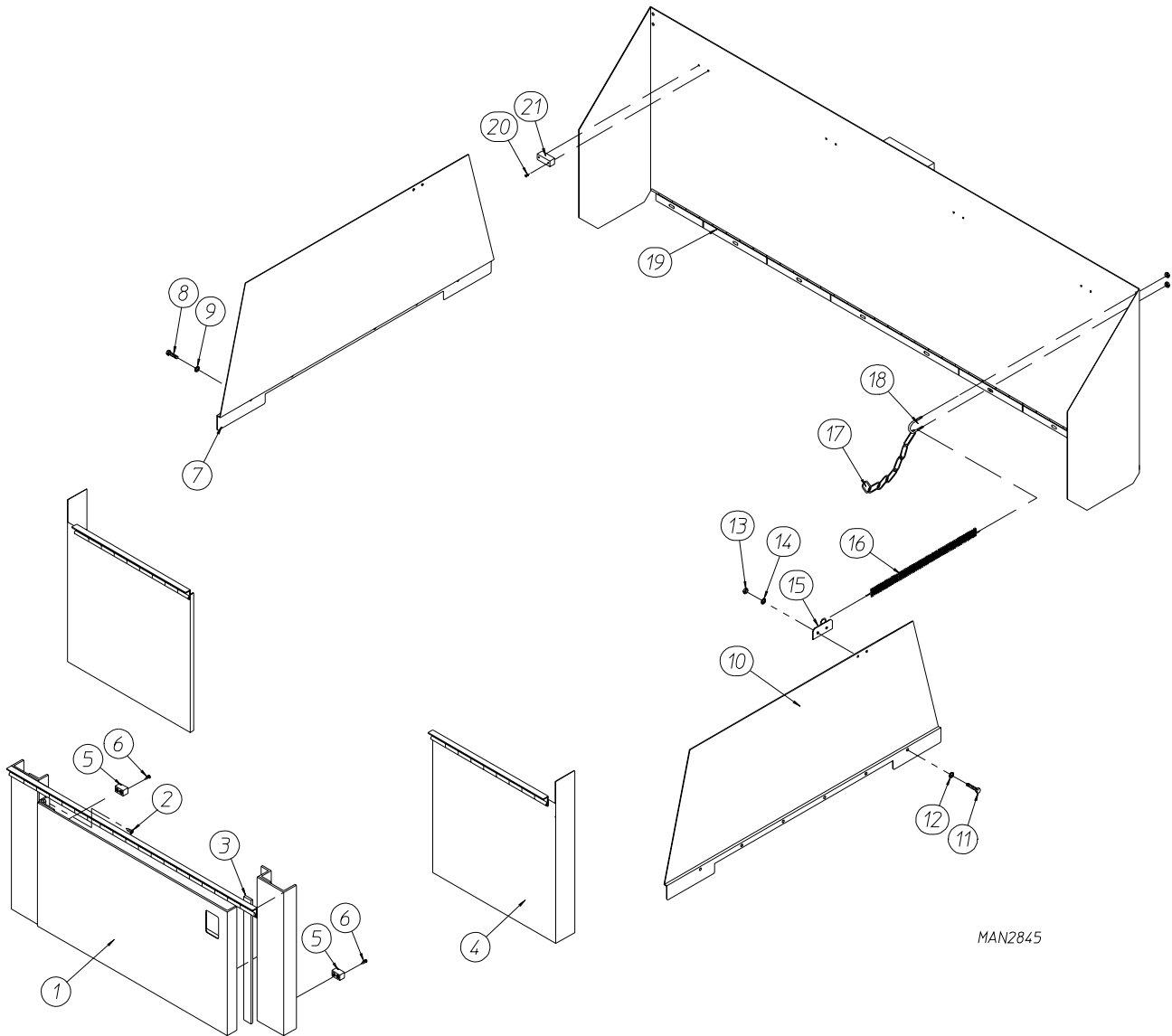
<u>Illus. No.</u>	<u>Part No.</u>	<u>Qty</u>	<u>Description</u>
1	100556	1	Sprinkler Solenoid 120 Volt
2	153018	4	1/4" Flat Washer
3	100462	1	3/8" Valve Muffer
4	143283	1	3/8" Poly x 3/8" MPT Brass Connector
5	143120	6	3/8" Poly Flow Tubing (sold by the foot)
6	143151	1	1/4" Compression to 3/8" MPT Brass Elbow
7	153007	2	1/4" Lock Washer
8	150524	2	1/4-20 x 2" Hex Head Machine Bolt
9	143100	12	1/4" Aluminum Tubing (sold by the foot)
10	150309	2	#10-16 x 1/2" Hex Head Crimpite Screw
11	154005	2	1/4" Tube Clip
12	143221	1	3/8" Poly Tee



MAN2793

Illus. No.	Part No.	Qty	Description
1	152005	2	3/8-16 Hex Nut
2	153005	2	3/8" Lock Washer
3	820566	2	Retaining Wheel Assembly
4	153062	4	Spherical Washer
5	153004	2	3/8" Flat Washer
6	150438	2	3/8-16 x 3-1/4" Long Bolt

For Two-Way Tilt Models

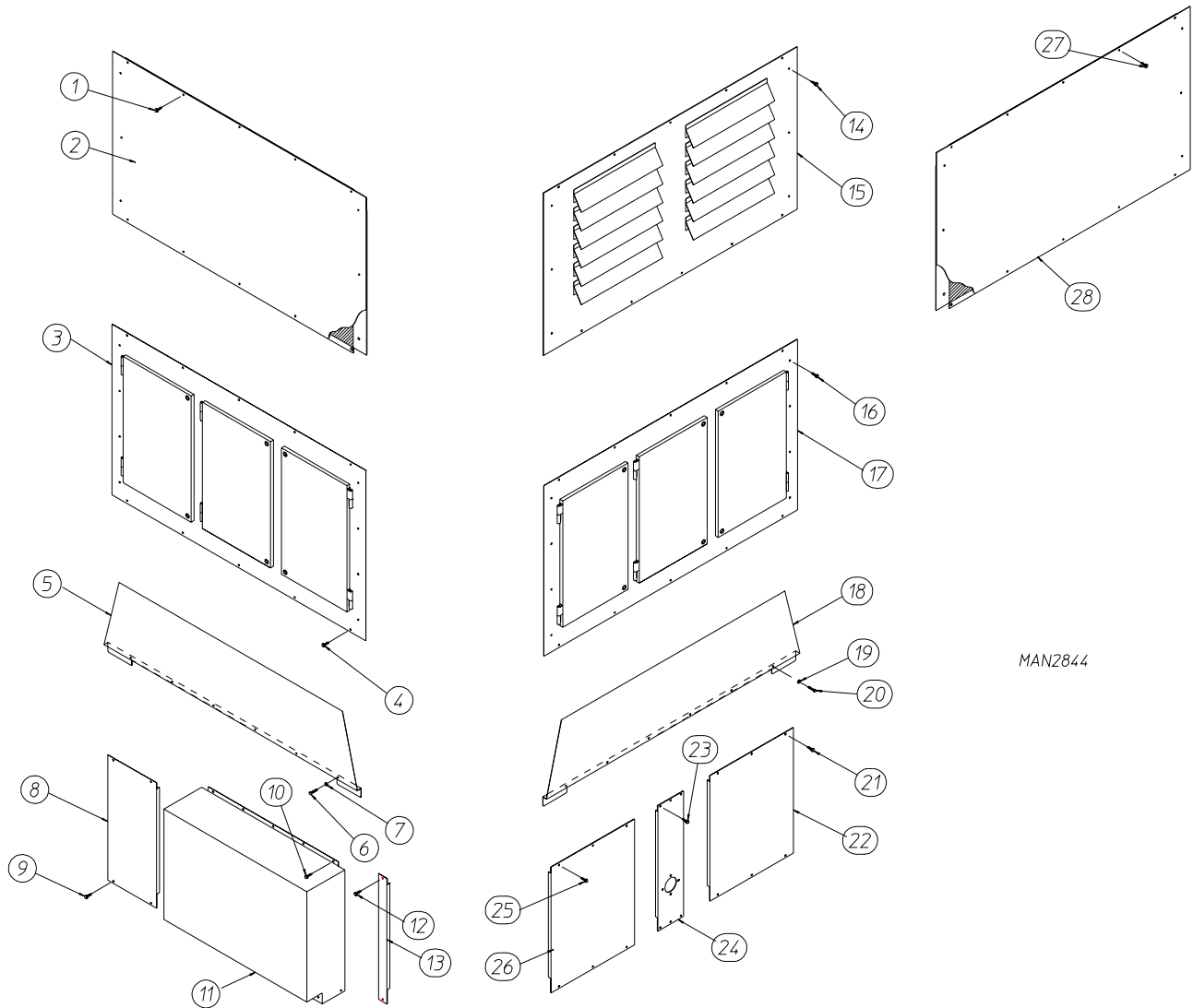


MAN2845

For Two-Way Tilt Models

<u>Illus. No.</u>	<u>Part No.</u>	<u>Qty</u>	<u>Description</u>
1*	881396	1	Front Guard Door ONLY
2	150300	4	#10 x 1/2" Hex Head TEK Screw
3	170607	1	Door Magnet
4*	881397	1	Front Guard Assembly Complete (includes illus. nos. 1 through 6)
5	170348	2	Front Tilt Guard Glide
6	150412	4	3/4" Long Crimptite Screw
7*	334538	1	Side Shield Assembly
8	150512	6	1/4-20 x 1/2" Long Hex Head Bolt
9	153007	6	1/4" Lock Washer
10*	334538	1	Side Shield Assembly
11	150512	6	1/4-20 x 1/2" Long Hex Head Bolt
12	153007	6	1/4" Lock Washer
13	151004	4	1/4-20 Hex Nut
14	153007	6	1/4" Lock Washer
15	821628	2	Spring Catch
16	157014	2	Spring #125
17	108121	2	15" Long Chain
18	154354	2	3/4" Pipe U-Bolt
19*	881398	1	Rear Guard Assembly Complete (includes illus. nos. 13 through 21)
20	150412	8	Crimptite Screw, 3/4" Long
21	170345	4	Rear Tilt Nylon Glide

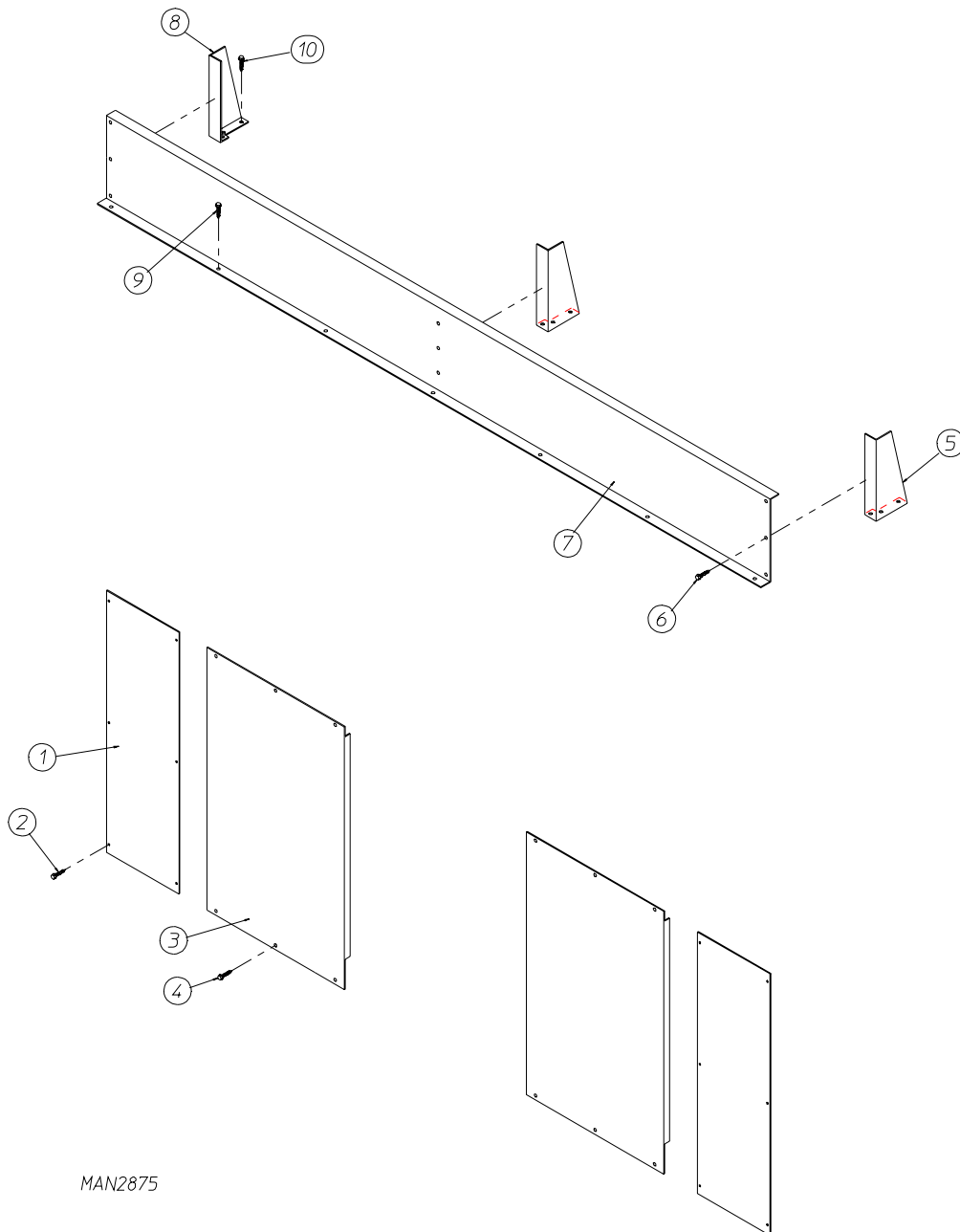
* Specify color when ordering



MAN2844

<u>Illus. No.</u>	<u>Part No.</u>	<u>Qty</u>	<u>Description</u>
1	150522	16	1/4-20 x 1/2" TEK Screw
2*	814032	1	Top Left Panel
3*	814033	1	Bottom Hinged Door Assembly
4	150522	18	1/4-20 x 1/2" TEK Screw
5*	334538	1	Side Shield Assembly
6	150512	6	1/4-20 x 1/2" Long Hex Head Bolt
7	153007	6	1/4" Lock Washer
8*	334600	1	Left Side Rear Base Panel
9	150522	4	1/4-20 x 1/2" TEK Screw
10	150522	10	1/4-20 x 1/2" TEK Screw
11*	814088	1	Left Base Panel Assembly
12	150522	2	1/4-20 x 1/2" TEK Screw
13*	334601	1	Left Side Front Base Panel
14	150522	16	1/4-20 x 1/2" TEK Screw
15*	814031	1	Top Right Panel Assembly (60 Hz ONLY)
16	150522	18	1/4-20 x 1/2" TEK Screw
17*	814033	1	Bottom Hinged Door Assembly
18*	334538	1	Side Shield Assembly
19	153007	6	1/4" Lock Washer
20	150512	6	1/4-20 x 1/2" Long Hex Head Bolt
21	150522	6	1/4-20 x 1/2" Long TEK Screw
22*	334544	1	Right Side Base Panel
23	150522	6	1/4-20x 1/2" Long TEK Screw
24*	334545	1	Gas Inlet Base Panel
25	150522	6	1/4-20 x 1/2" TEK Screw
26*	334544	1	Right Side Base Panel
27	150522	16	1/4-20 x 1/2" Long TEK Screw
28	814031	1	Top Right Panel Assembly (Steam Machines ONLY)

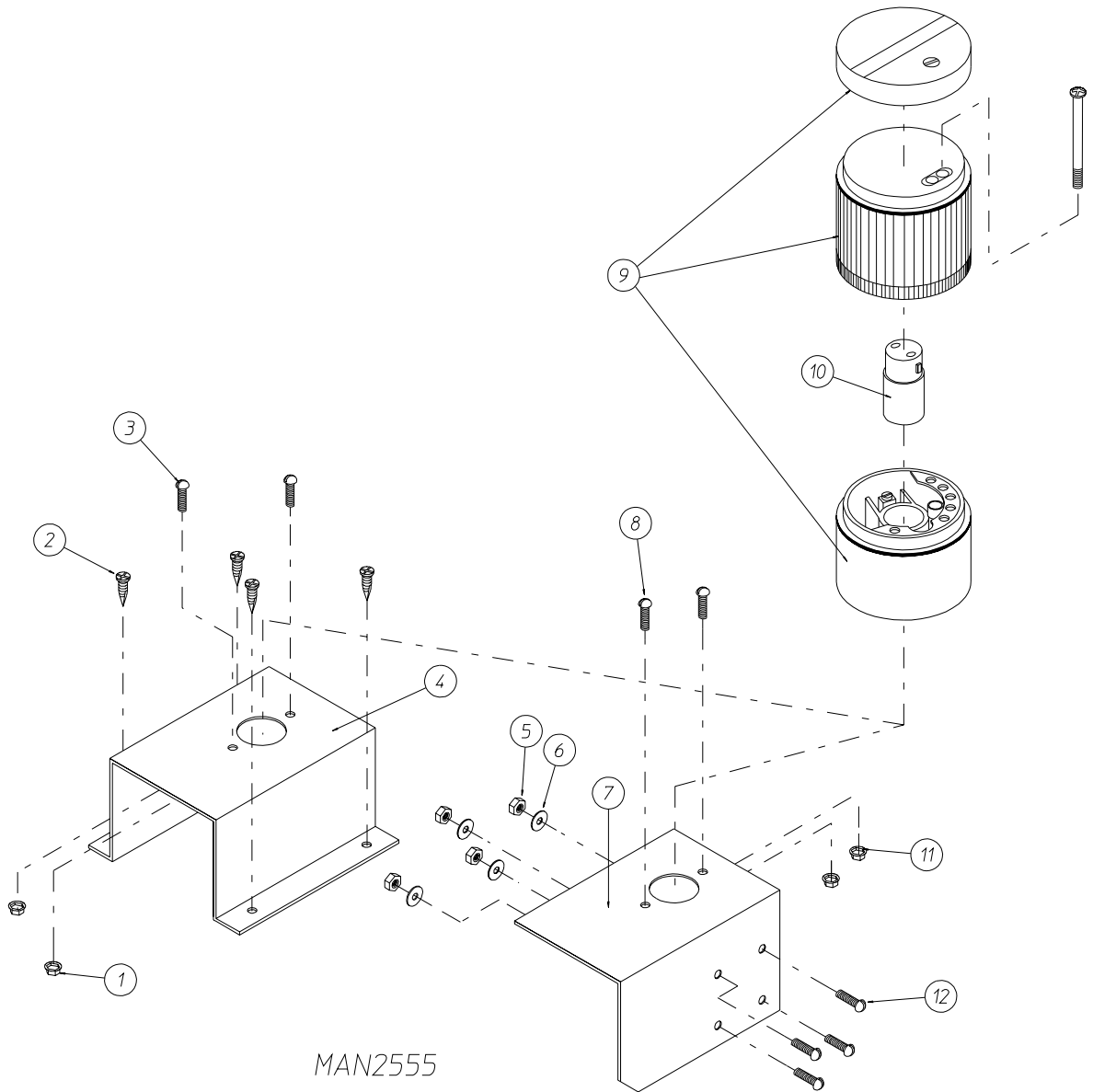
* Specify color when ordering



MAN2875

<u>Illus. No.</u>	<u>Part No.</u>	<u>Qty</u>	<u>Description</u>
1*	334542	2	Piston Cover
2	150415	12	Crimptite Sheet Metal Screw
3*	334671	2	Right Front Base Panel
4	150522	12	1/4-20 x 1/2" TEK Screw
5	332681	2	Right Gusset for Top Front Panel
6	150522	9	1/4-20 x 1/2" TEK Screw
7*	334546	1	Top Front Panel
8*	332680	1	Left Gusset for Top Front Panel
9	150522	7	1/4-20 x 1/2" TEK Screw
10	150522	9	1/4-20 x 1/2" TEK Screw

* Specify color when ordering



MAN2555

Illus. No.	Part No.	Qty	Description
1	151001	2	#8-32 Pal Nut
2	150309	4	#10-16 x 1/2" Hex Head Crimptite Screw
3	150108	2	#8-32 x 1/2" Phillips Head Machine Screw
4*	821480	1	Cycle Light Bracket (for Steam Models ONLY)
5	152001	4	#8-32 Hex Nut
6	153012	4	#8 Star Washer
7*	332850	1	Cycle Light Bracket (for Gas Models ONLY)
8	150108	2	#8-32 x 1/2" Phillips Head Machine Screw
9	123222	1	"Orange" Cycle Light
10	123221	1	24 VAC Bulb
11	151001	2	#8-32 Pal Nut
12	150108	4	#8-32 x 1/2" Phillips Head Machine Screw

* Specify color when ordering.

Selector Switch, Nameplate, and Mounting Base Chart

	Models with 2-Way Tilt Manual/Automatic Doors	Models with Fwd Tilt Manual Doors	Models with Fwd Tilt Automatic Doors	Models with Rear Tilt Manual/Automatic Doors
Illus. No. 13 Selector Switch	ADC Part No. 122348 3-Position Cam Selector Switch	ADC Part No. 122360 2-Position Switch	ADC Part No. 122348 3-Position Cam Selector Switch	ADC Part No. 122348 3-Position Cam Selector Switch
Illus. No. 14 Nameplate	ADC Part No. 122412 "Load-Dry-Unload"	ADC Part No. 122422 Unload "0-1"	ADC Part No. 122412 "Load-Dry-Unload"	ADC Part No. 122435 Load "Level-Off-Tilted"
Illus. No. 37 and Illus. No. 38 Mounting Base	Included with Selector Switch	ADC Part No. 132397 NO-NC Contact Block with Base	Included with Selector Switch	Included with Selector Switch

ADC450166 1- 09/05/96-50 2* 03/05/98-50



Free Manuals Download Website

<http://myh66.com>

<http://usermanuals.us>

<http://www.somanuals.com>

<http://www.4manuals.cc>

<http://www.manual-lib.com>

<http://www.404manual.com>

<http://www.luxmanual.com>

<http://aubethermostatmanual.com>

Golf course search by state

<http://golfingnear.com>

Email search by domain

<http://emailbydomain.com>

Auto manuals search

<http://auto.somanuals.com>

TV manuals search

<http://tv.somanuals.com>