

COLONY OVAL 6' WHIRLPOOL & BATHING POOL

- 1742.018 Whirlpool featuring System I:**
 - Acrylic with fiberglass reinforcement
 - Molded-in backrest
 - Dual, molded in arm rests
 - 1.0 HP single speed, self-draining pump / motor
 - Factory installed power cord with plug
 - Six multi-directional and flow-adjustable jets
 - Side-mounted air switch On / Off
 - Two air volume controls
 - Factory installed and tested whirlpool system



- 1742.018C Stay Clean™ Whirlpool Massage Featuring System I:**
 - Same as above except with the StayClean™ whirlpool system featuring Antimicrobial AlphaSan®

1742.002 Bathing Pool only

Nominal Dimensions: 71" x 41" x 23-7/8"
(1805 x 1040 x 606mm)

To Be Specified - Required:

- Color:

To Be Specified - Optional:

- Bath Drain: 1583.470*
- Bath Filler: *

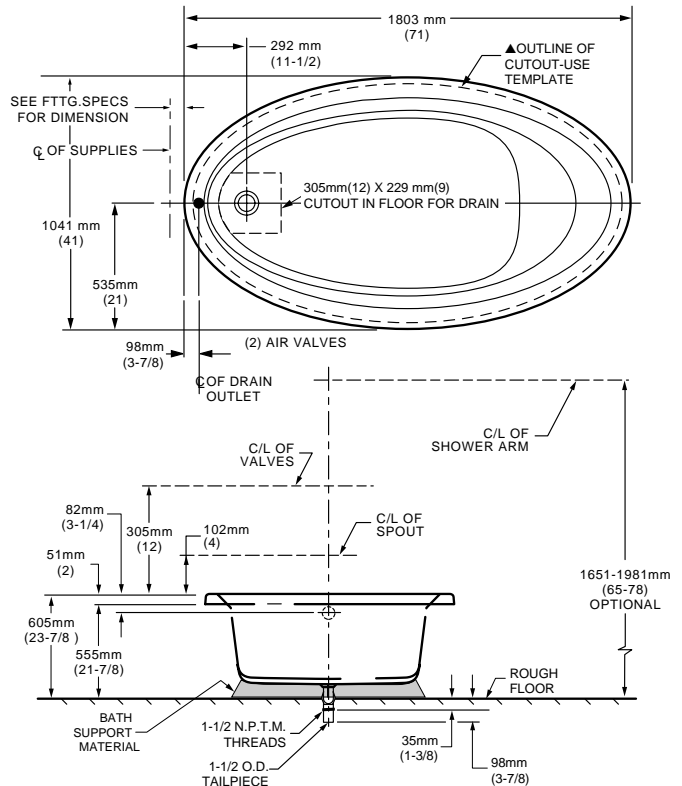
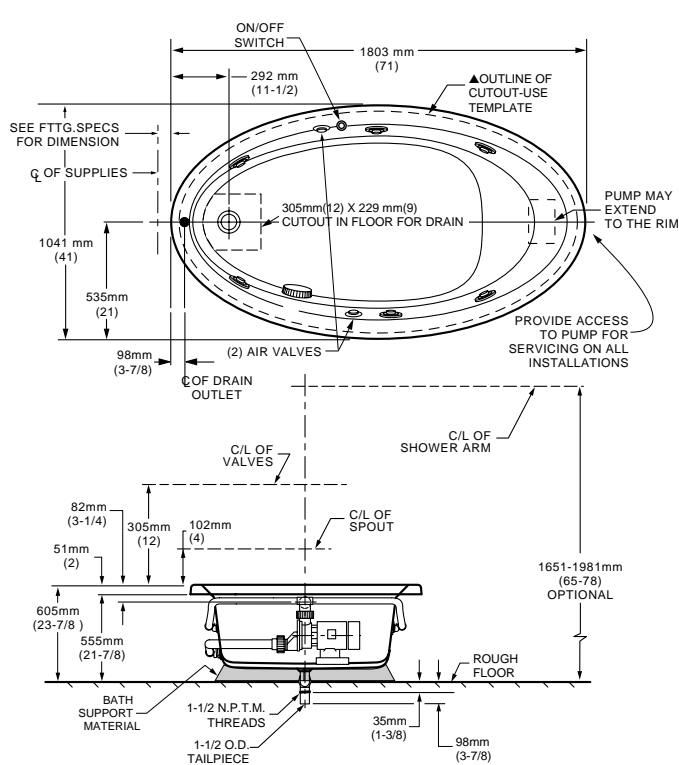
* See you American Standard Distributor

For color/finish availability and other faucet choices, please see the Product Selector and Pricing Guide.

**Compliance Certifications -
Meets or Exceeds the Following Specifications:**

- Underwriters Laboratories - Hydromassage Bathtubs UL 1795
- ASME A112.19.7M for Whirlpool Appliances
- ANSI Z124.1 for Plastic Bathtubs
- ASTM E162 for Flammability
- NFPA 258 for Smoke Density

NOTE: Roughing-in dimensions and product specifications shown on reverse side of page.



GENERAL SPECIFICATIONS FOR 1742 WHIRLPOOL

INSTALLED SIZE _____ 71 x 41 x 23-7/8 In.(1805 x 1040 x 606mm)
WEIGHT _____ 119 Lbs. (54 Kg.)
WEIGHT w/WATER _____ 680 Lbs. (308 Kg.)
GAL. TO OVERFLOW _____ 67 Gal. (254 L)
WHIRLPOOL MIN. OPERATING VOL. _____ 50 Gal. (190 L)
BATHING WELL AT SUMP _____ 49 x 26 In. (1245 x 660mm)
BATHING WELL AT RIM _____ 62 x 34 In. (1588 x 864mm)
WATER DEPTH TO OVERFLOW _____ 16-7/8 In. (429mm)
FLOOR LOADING _____ 32 Lbs./Sq.Ft. (157 Kgs./Sq.m)
(PROJECTED AREA)

WHIRLPOOL ELECTRICAL SPECIFICATIONS

PUMP _____ 1.1 HP, 9.9 AMPS, 120V.

GENERAL SPECIFICATIONS FOR 1742 BATHING POOL

INSTALLED SIZE _____ 71 x 41 x 23-7/8 In.
(1805 x 1040 x 606mm)
WEIGHT _____ 99 Lbs. (45 Kg.)
WEIGHT w/WATER _____ 680 Lbs. (308 Kg.)
GAL. TO OVERFLOW _____ 67 Gal. (254 L)
BATHING WELL AT SUMP _____ 49 X 26 In. (1245 x 660mm)
BATHING WELL AT RIM _____ 62 x 34 In. (1588 x 864mm)
WATER DEPTH TO OVERFLOW _____ 16-7/8 In. (429mm)
FLOOR LOADING _____ 32 Lbs./Sq.Ft. (157 Kgs./Sq.m)
(PROJECTED AREA)

NOTES:

BATH CAN BE INSTALLED EITHER ABOVE OR BELOW FLOOR LINE AS PIER, ISLAND, OR PENINSULA TYPE INSTALLATION. SUPPORT OF BATH SUMP BY BEDDING. NO ADDITIONAL SUPPORT REQUIRED. SUPPORT AND ENCLOSING MATERIAL BY OTHERS.

- REFER TO INSTALLATION INSTRUCTIONS SUPPLIED WITH WHIRLPOOL FOR ADDITIONAL INFORMATION.

CUTOUT TEMPLATE PROVIDED IN SHIPPING BOX.

FITTINGS NOT INCLUDED AND MUST BE ORDERED SEPARATELY.

PROVIDE SUITABLE REINFORCEMENT FOR ALL SUPPORTS.

IMPORTANT: Dimensions of fixtures are nominal and may vary within the range of tolerances established by ANSI Standard Z124.1. These measurements are subject to change or cancellation. No responsibility is assumed for use of superseded or voided pages.

Free Manuals Download Website

<http://myh66.com>

<http://usermanuals.us>

<http://www.somanuals.com>

<http://www.4manuals.cc>

<http://www.manual-lib.com>

<http://www.404manual.com>

<http://www.luxmanual.com>

<http://aubethermostatmanual.com>

Golf course search by state

<http://golfingnear.com>

Email search by domain

<http://emailbydomain.com>

Auto manuals search

<http://auto.somanuals.com>

TV manuals search

<http://tv.somanuals.com>