

### CAMBRIDGE™ 5' WHIRLPOOL AND BATHING POOL

- 2461.028W Whirlpool Featuring System I Right Hand Drain Outlet
- 2460.028W Whirlpool Featuring System I Left Hand Drain Outlet
  - Americast® brand engineered material
  - Acid-resistant porcelain finish
  - Integral apron with integral 3-sided tile/water retention flange
  - Integral lumbar support with beveled headrest
  - Full slip-resistant coverage
  - 1.6 HP single speed, self-draining pump/motor
  - Factory installed power cord and plug
  - Six multi-directional and flow-adjustable jets
  - Deck-mounted air switch On/Off
  - Two silent air volume controls
  - Quick Connect Safe-T-Heater connection system
  - Factory installed and tested whirlpool system

#### Whirlpool featuring System I

- 2461.128W Whirlpool Featuring System I Right Hand Drain Outlet with Grab Bar Drilling
- 2460.128W Whirlpool Featuring System I Left Hand Drain Outlet with Grab Bar Drilling
  - Same as above except with grab bar drilling (grab bar must be ordered separately)

#### EverClean® Whirlpool featuring System I

- 2461.028WC Whirlpool Featuring System I Right Hand Drain Outlet
- 2460.028WC Whirlpool Featuring System I Left Hand Drain Outlet
  - Same as 2460/2461.028W except with the EverClean® System

#### EverClean Whirlpool featuring System I and Grab Bar Drilling

- 2461.128WC Whirlpool Featuring System I Right Hand Drain Outlet with Grab Bar Drilling
- 2460.128WC Whirlpool Featuring System I Left Hand Drain Outlet with Grab Bar Drilling
  - Same as 2460/2461.028W except with the EverClean whirlpool system and grab bar drilling (grab bar must be ordered separately)

#### Compliance Certifications -

##### Meets or Exceeds the Following Specifications:

- Underwriters Laboratories - Hydromassage Bathtubs UL 1795
- ASME A112.19.7M for Whirlpool Appliances
- ASME A112.19.4M for Americast Fixtures
- ASTM F-462 for Slip-resistant Bathing Facilities
- ASTM E162 for Flammability
- NFPA 258 for Smoke Density



#### Bathing Pool:

- 2461.002 Bathing Pool Right Hand Drain Outlet
- 2460.002 Bathing Pool Left Hand Drain Outlet

#### Bathing Pool with Grab Bar Drilling:

- 2461.102 Bathing Pool Right Hand Drain Outlet
- 2460.102 Bathing Pool Left Hand Drain Outlet

#### Nominal Dimensions:

1524 x 813 x 451mm (60" x 32" x 17-3/4")

#### Bathing Well Dimensions:

1372 x 660 x 432mm (54" x 26" x 17")

Americast® brand engineered material is a composition of porcelain bonded to enameling grade metal, bonded to a patented structural composite.



MEETS THE AMERICANS WITH DISABILITIES ACT GUIDELINES AND ANSI A117.1 REQUIREMENTS FOR ACCESSIBLE AND USEABLE BUILDING FACILITIES-CHECK LOCAL CODES. INSTALL WITH SEAT AT HEAD END.

#### To Be Specified - Required:

- Color:
- Bath Filler: (specify finish)
- Bath Drain: 1583.470 (specify finish)

#### To Be Specified - Optional:

- Safe-T-Heater\*: 9075.120
- Jet Trim Ring Kit: 9860.200-one per kit (specify color) for Body Massage Jets only
- Universal Tile Bead Kit: 751755-100

For color/finish availability and other faucet choices, please see the Product Selector and Pricing Guide.

\* **NOTE:** the Safe-T-Heater is designed to maintain water temperature during operation. It will not heat cold water to desired bathing temperature.

SEE REVERSE FOR PRODUCT DIMENSIONS AND SPECIFICATIONS

**NOTES:**

■ REFER TO INSTALLATION INSTRUCTIONS SUPPLIED WITH WHIRLPOOL FOR ADDITIONAL INFORMATION.

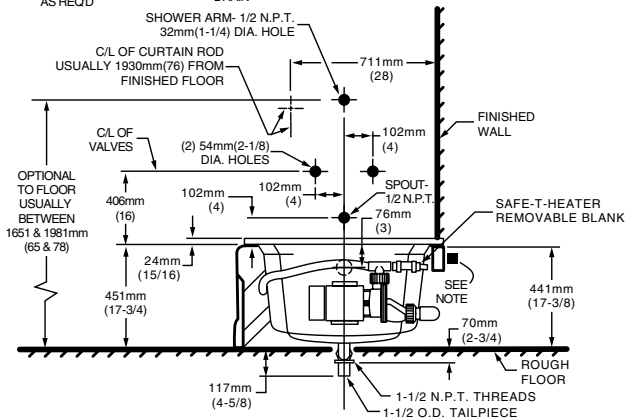
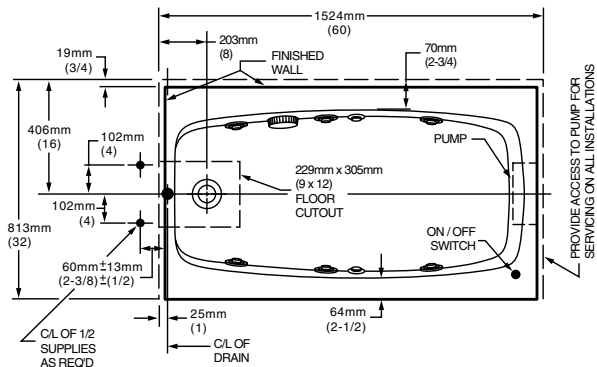
SHOWN WITH 8620, SERIES AMARILIS BATH/SHOWER FITTING AND POP-UP C.D. & O.

LEFT HAND OUTLET SHOWN, RIGHT HAND REVERSE DIMENSIONS (2461).

CONCEALED PIPING NOT FURNISHED.

FITTINGS NOT INCLUDED AND MUST BE ORDERED SEPARATELY.

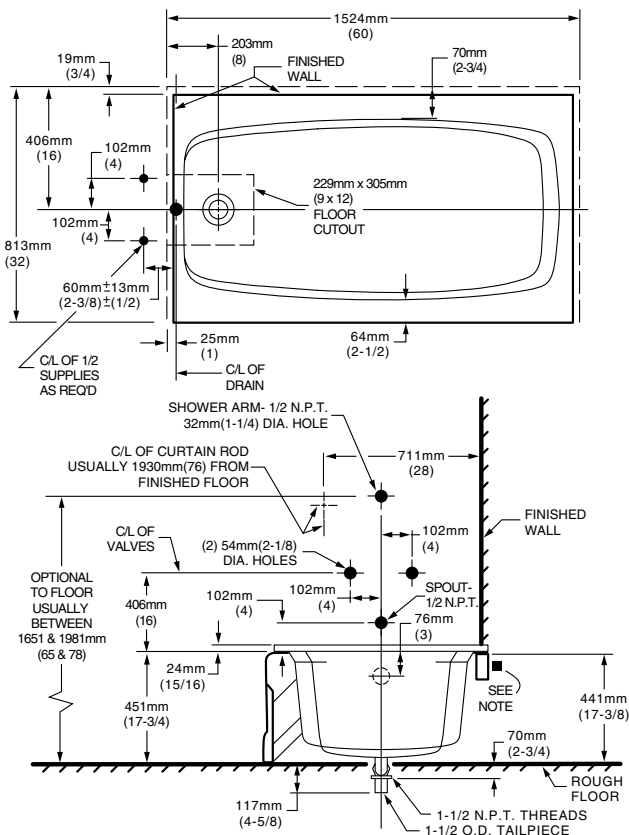
PROVIDE SUITABLE REINFORCEMENT FOR ALL WALL SUPPORTS.



GENERAL SPECIFICATIONS FOR 2460/2461 WHIRLPOOL	
INSTALLED SIZE	60 x 32 x 17-3/4 In. (1524 x 813 x 451mm)
WEIGHT	190 Lbs. (86 Kg.)
WEIGHT w/WATER	607 Lbs. (273 Kg.)
GAL. TO OVERFLOW	50 Gal. (190 L)
WHIRLPOOL MIN. OPERATING VOL.	39 Gal. (148 L)
BATHING WELL AT SUMP	41 x 20 In. (1041 x 508mm)
BATHING WELL AT RIM	54 x 26 In. (1372 x 660mm)
WATER DEPTH TO OVERFLOW	14 In. (356mm)
FLOOR LOADING	46 Lbs./Sq.Ft. (220 Kgs./Sq.m)
(PROJECTED AREA)	
PTS.	13.9
CUBE (FT <sup>3</sup> )	30.9
WHIRLPOOL ELECTRICAL SPECIFICATIONS	
SYSTEM I PUMP	1.6 HP, 9.7 AMPS, 120V.

**IMPORTANT:** Dimensions of fixtures are nominal and may vary within the range of tolerances established by ANSI Standard A112.19.4. These measurements are subject to change or cancellation. No responsibility is assumed for use of superseded or voided leaflet.

American Standard whirlpools and air baths with EverClean® incorporate a patented silver-ion additive right into the circulation piping to protect the pipes from mold, mildew, algae and fungus that could cause deterioration or staining of the pipes.



GENERAL SPECIFICATIONS FOR 2460/2461 BATHING POOL	
INSTALLED SIZE	60 x 32 x 17-3/4 In. (1524 x 813 x 451mm)
WEIGHT	161 Lbs. (72 Kg.)
WEIGHT w/WATER	578 Lbs. (260 Kg.)
GAL. TO OVERFLOW	50 Gal. (190 L)
BATHING WELL AT SUMP	41 x 20 In. (1041 x 508mm)
BATHING WELL AT RIM	54 x 26 In. (1372 x 660mm)
WATER DEPTH TO OVERFLOW	14 In. (356mm)
FLOOR LOADING	43 Lbs./Sq.Ft. (208 Kgs./Sq.m)
(PROJECTED AREA)	
PTS.	13.9
CUBE (FT <sup>3</sup> )	30.9

## Free Manuals Download Website

<http://myh66.com>

<http://usermanuals.us>

<http://www.somanuals.com>

<http://www.4manuals.cc>

<http://www.manual-lib.com>

<http://www.404manual.com>

<http://www.luxmanual.com>

<http://aubethermostatmanual.com>

Golf course search by state

<http://golfingnear.com>

Email search by domain

<http://emailbydomain.com>

Auto manuals search

<http://auto.somanuals.com>

TV manuals search

<http://tv.somanuals.com>