

*American Standard*

## TENDENCE

**BATH/SHOWER TRIM KIT**  
with EverClean™ Finish

Congratulations on purchasing your American Standard faucet with EverClean finish found only on American Standard faucets.

### EverClean Finish

- One wipe effortlessly removes spots
- Eliminates the need for cleaners and scrubbing
- Permanent surface protectant remains beautiful for the life of the faucet
- EverClean™ available on: Polished Chrome, Satin Nickel, Stainless Steel, Polished Brass (or any combination of these finishes)

**Installation  
Instructions**  
T086.502  
T086.501  
T086.500

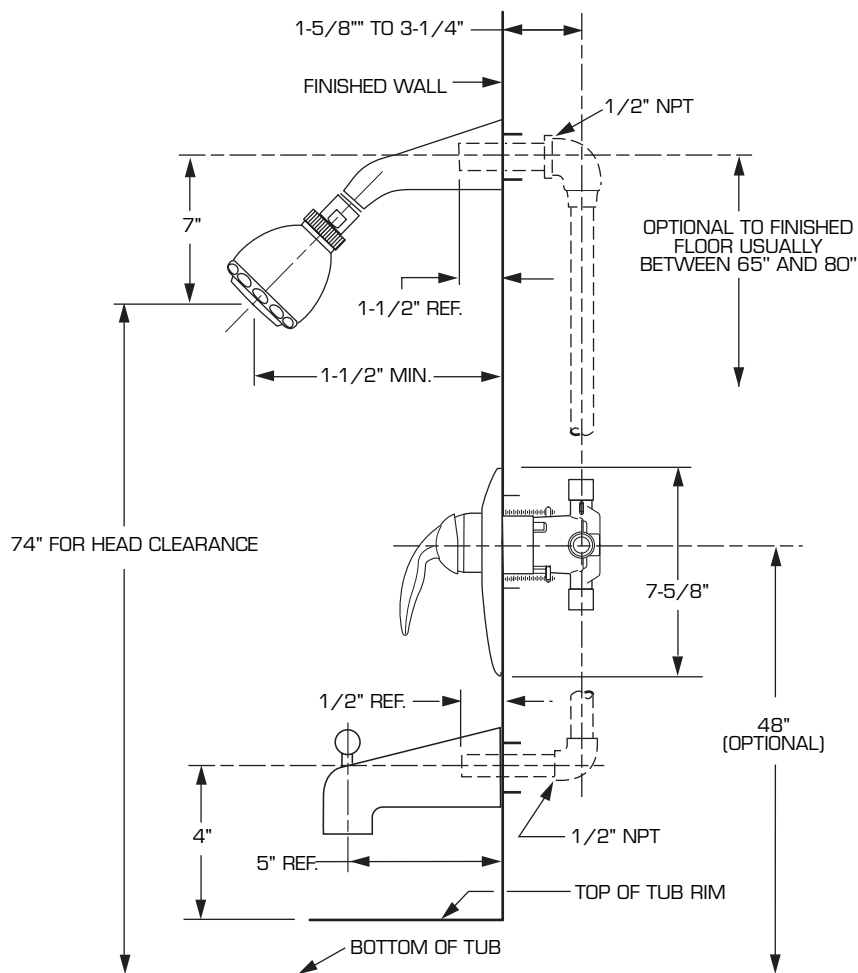


Certified to comply with ANSI A112.18.1  
U.S. Patent No. D403,750  
M968388 Rev. 1.1

**To ensure that your installation proceeds smoothly-please read these instructions carefully before you begin.**

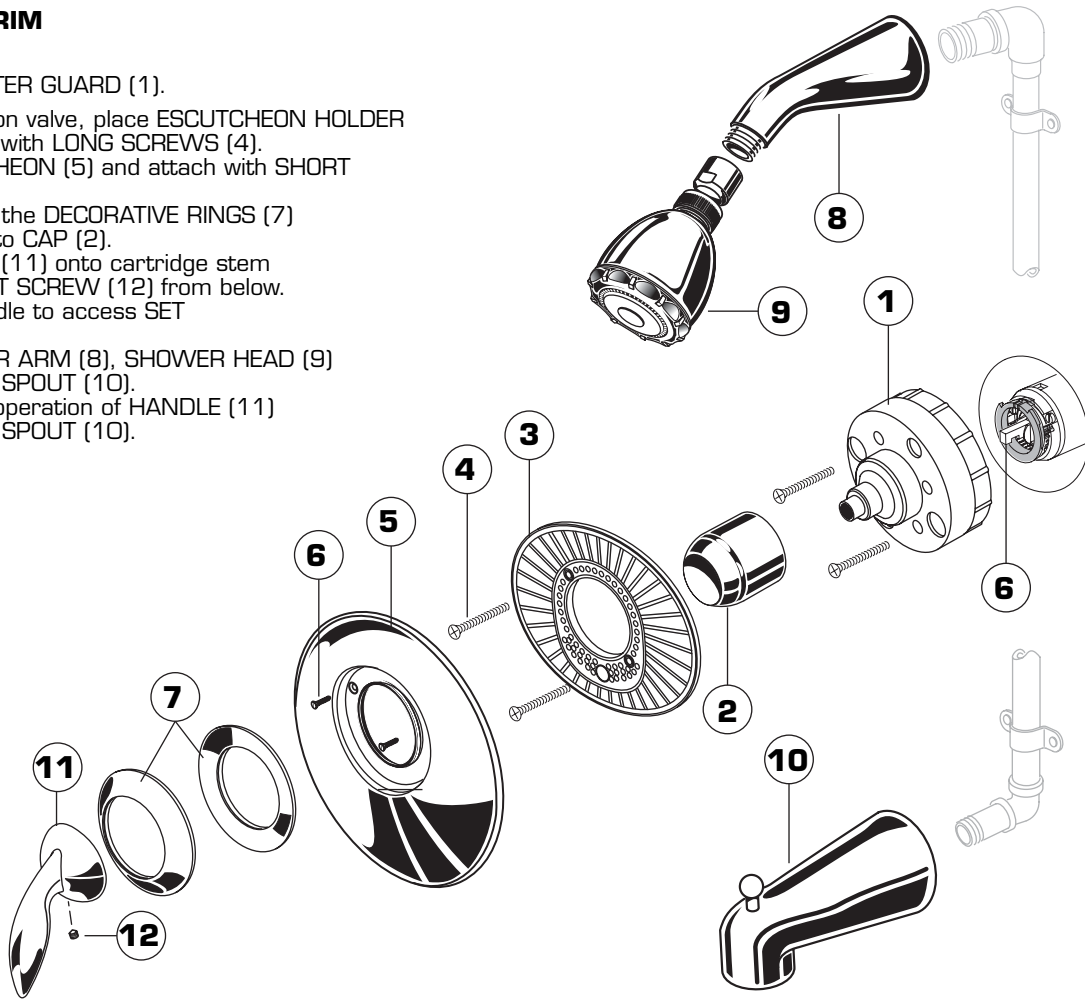
### ROUGHING-IN DIMENSIONS

- To assure proper positioning in relation to wall, note roughing-in dimensions.

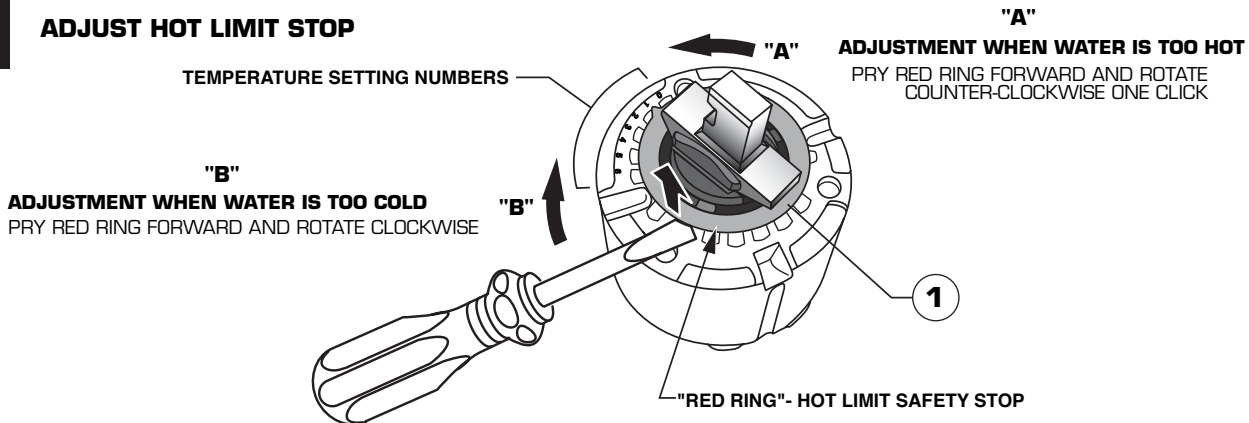


# 1 INSTALL TRIM

- Remove PLASTER GUARD (1).
- Push CAP (2) on valve, place ESCUTCHEON HOLDER (3) and attach with LONG SCREWS (4).
- Place ESCUTCHEON (5) and attach with SHORT SCREWS (6).
- Choose one of the DECORATIVE RINGS (7) and push it onto CAP (2).
- Push HANDLE (11) onto cartridge stem and tighten SET SCREW (12) from below.  
NOTE: Lift handle to access SET SCREW (12)
- Install SHOWER ARM (8), SHOWER HEAD (9) and DIVERTER SPOUT (10).
- Check proper operation of HANDLE (11) and DIVERTER SPOUT (10).



# 2 ADJUST HOT LIMIT STOP



## HOT LIMIT SAFETY STOP ADJUSTMENT

By restricting handle rotation and limiting the amount of hot water allowed to mix with the cold, the HOT LIMIT SAFETY STOP reduces risk of accidental scalding. To set the maximum hot water temperature of your faucets, all you need to do is adjust the setting on the HOT LIMIT SAFETY STOP.

- Use a flat blade screwdriver or your fingers to pull up and rotate red HOT LIMIT SAFETY STOP (1). Follow Step "A" or "B" to adjust min./max. discharge temperature. "0" being the hottest to "7" the coldest temperature setting. Factory set at "0".

# 3 EverClean™ Finish Care Instructions

**American Standard's EverClean finish will wipe clean with a soft, dry cloth. A soft cloth with clean water may also be used, if desired. No additional cleaning products are required.**

**DO NOT USE: Soaps, acid, polish, abrasives, harsh cleaners, or a cloth with a coarse surface.**

M968388 Rev. 1.1

## Free Manuals Download Website

<http://myh66.com>

<http://usermanuals.us>

<http://www.somanuals.com>

<http://www.4manuals.cc>

<http://www.manual-lib.com>

<http://www.404manual.com>

<http://www.luxmanual.com>

<http://aubethermostatmanual.com>

Golf course search by state

<http://golfingnear.com>

Email search by domain

<http://emailbydomain.com>

Auto manuals search

<http://auto.somanuals.com>

TV manuals search

<http://tv.somanuals.com>