

**TRIUMPH CADET® 3**  
**RIGHT HEIGHT™ ELONGATED TOILET**

- 2492.016**
  - Vitreous china
  - EverClean™ anti-microbial surface which inhibits the growth of stain and odor causing bacteria, mold, and mildew
  - Low-consumption (6.0 Lpf/1.6 gpf)
  - 16-1/2" rim height for accessible application
  - Features the **Cadet®3 Flushing System**
  - Elongated siphon action jetted bowl
  - Fully-glazed 2-1/8" trapway with 2" ball pass
  - Generous 9" x 8" water surface area
  - Close-coupled tank with flat tank cover for superior storage
  - Oversized 3" flush valve with chemical resistant flapper
  - Chrome trip lever
  - Speed Connect™ tank-to-bowl coupling system
  - Sanitary dam on bowl with four point tank stabilization
  - 2 color-matched bolt caps
  - 100% factory flush tested
  - 5 year warranty

- 3016.016** Right Height™ Elongated Bowl

- 4007.100** Tank

**Nominal Dimensions:**  
 768 x 472 x 784mm (30-1/4" x 18-9/16" x 30-7/8")

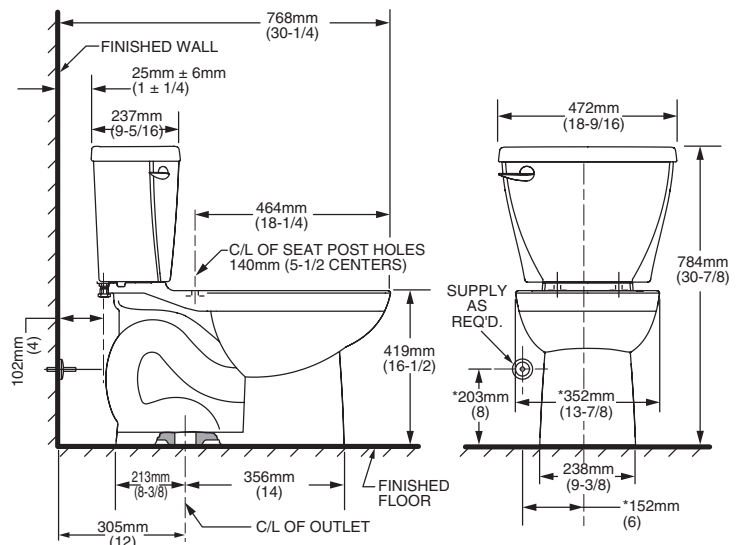
Fixture only, seat and supply by others

**Alternate Tank Configurations Available:**

- 4007.500** Tank complete with Aquaguard Liner

**Compliance Certifications -**  
**Meets or Exceeds the Following Specifications:**

- ASME A112.19.2M for Vitreous China Fixtures - includes Flush Performance, Ball Pass Diameter, Trap Seal Depth and all Dimensions
- Los Angeles Department of Water and Power Supplementary Purchase Specification for Non-Adjustability



**NOTES:**  
 THIS TOILET IS DESIGNED TO ROUGH-IN AT A MINIMUM DIMENSION OF 305MM (12") FROM FINISHED WALL TO C/L OF OUTLET. SUPPLY NOT INCLUDED WITH FIXTURE AND MUST BE ORDERED SEPARATELY.  
 \* DIMENSION SHOWN FOR LOCATION OF SUPPLY IS SUGGESTED.

**IMPORTANT:** Dimensions of fixtures are nominal and may vary within the range of tolerances established by ANSI Standard A112.19.2. These measurements are subject to change or cancellation. No responsibility is assumed for use of superseded or voided page



**MEETS THE AMERICANS WITH DISABILITIES ACT GUIDELINES AND ANSI A117.1 REQUIREMENTS FOR ACCESSIBLE AND USABLE BUILDING FACILITIES-CHECK LOCAL CODES.**

**To Be Specified:**

- Color:  White  Bone  Linen
- Seat: #5325.010 Elongated Champion® Slow Close solid plastic seat and cover with easy lift off feature
- Seat: #5284.016 Elongated EverClean™ anti-microbial solid plastic seat and cover
- Seat: #5311.012 Elongated Laurel molded wood seat and cover
- Supply with stop:

**CADET® 3**  
 Flushing System

## Free Manuals Download Website

<http://myh66.com>

<http://usermanuals.us>

<http://www.somanuals.com>

<http://www.4manuals.cc>

<http://www.manual-lib.com>

<http://www.404manual.com>

<http://www.luxmanual.com>

<http://aubethermostatmanual.com>

Golf course search by state

<http://golfingnear.com>

Email search by domain

<http://emailbydomain.com>

Auto manuals search

<http://auto.somanuals.com>

TV manuals search

<http://tv.somanuals.com>