

DIRECT VENT GAS WATER HEATER

A Spanish language version of these instructions is available by contacting the company listed on the rating plate.

La versión española de estas instrucciones se puede obtener al escribirle a la fábrica cuyo nombre aparece en la placa de especificaciones.

INSTALLATION & OPERATING INSTRUCTION MANUAL

WARNING: If the information in these instructions is not followed exactly, a fire or explosion may result causing property damage, personal injury or death.

FOR YOUR SAFETY

– Do not store or use gasoline or other flammable, combustible, or corrosive vapors and liquids in the vicinity of this or any other appliance.

– WHAT TO DO IF YOU SMELL GAS

- Do not try to light any appliance.
- Do not touch any electrical switch; do not use any phone in your building.
- Immediately call your gas supplier from a neighbor's phone. Follow the gas supplier's instructions.
- If you cannot reach your gas supplier, call the fire department.

– Installation and service must be performed by a qualified installer, service agency or the gas supplier.

For your family's comfort, safety and convenience, it is recommended this water heater be installed and serviced by a plumbing professional.

CONGRATULATIONS!

You have just purchased one of the finest water heaters on the market today!

This installation, operation and instruction manual will explain in detail the installation and maintenance of your new Direct Vent Gas Water Heater. We strongly recommend that you contact a plumbing professional for the installation of this water heater.

We require that you carefully read this manual, as well as the enclosed warranty, and refer to it when questions arise. If you have any specific questions concerning your warranty, please consult the plumbing professional from whom your water heater was purchased. For your records we recommend that you write the model, serial number and installation date of your water heater in the maintenance section in the back of this manual.

This manual should be kept with the water heater.

We're committed to providing you with the finest water heater made.



TABLE OF CONTENTS

| | page |
|--|------|
| GENERAL INFORMATION | 4 |
| INSTALLATION | 5 |
| Locating The Water Heater | 5 |
| Minimum Clearances..... | 8 |
| Optional Direct Vent-Air Intake Terminal Guard | 9 |
| Venting | 11 |
| Horizontal and Vertical Vent-Air Intake Lengths | 13 |
| Vent-Air Intake System Installation..... | 16 |
| Water Connections..... | 24 |
| Gas Connections | 28 |
| GENERAL OPERATION | 29 |
| Lighting and Shutdown Instructions | 30 |
| Thermostat Adjustment | 31 |
| Burner Flame Checks..... | 32 |
| MAINTENANCE | 33 |
| PARTS LIST | 36 |
| PARTS LIST DRAWINGS | |
| Direct Vent Water Heater..... | 37 |
| Vent-Air Intake Kits | 38 |
| INSTALLATIONS FOR POTABLE WATER AND SPACE HEATING | 39 |
| NOTES | 40 |

GENERAL INFORMATION

This gas-fired water heater's design is certified by CSA International under the *American National Standard Z21.10.1* - (as indicated on the rating plate) and *CSA 4.1-M* - (as indicated on the rating plate).

This water heater must be installed in accordance with local codes or, in the absence of local codes, the *National Fuel Gas Code, ANSI Z223.1*-Latest Edition) and/or in Canada *CAN/CGA B149 Installation Codes* (Latest Editions). The warranty for this water heater is in effect only when the water heater is installed, adjusted, and operated in accordance with these Installation and Operating Instructions. The manufacturer will not be held liable for any damage resulting from alteration and/or failure to comply with these instructions.

This water heater is not design certified for installation in a mobile home. Such an installation may create a hazardous condition and will nullify the warranty.

This water heater has been designed and certified for the purpose of heating potable water. The installation and use of this water heater for any purpose other than the heating of potable water may cause damage to the water heater and create a hazardous condition and nullify the warranty.

CAUTION

Incorrect operation of this appliance may create a hazard to life and property and will nullify the warranty.

Do not use this appliance if any part has been submerged in water. You should contact a qualified service technician to inspect the appliance and to replace any part of the control system including the combination gas control, which has been submerged in water.

DANGER

Do not store or use gasoline or other flammable, combustible, or corrosive vapors and liquids in the vicinity of this or any other appliance.

IMPORTANT

Before proceeding, please inspect the water heater and its components for possible damage. **DO NOT** install any damaged components. If damage is evident then please contact the supplier where the water heater was purchased or the manufacturer listed on the rating plate for replacement parts.

Make sure that you check the rating plate and combination gas control on the water heater to be certain that the type of gas being supplied corresponds with the marking on the rating plate and combination gas control.

A sacrificial anode is used to extend tank life. The removal of this anode, for any reason, will nullify the warranty. In areas where water is unusually active, an odor may occur at the hot water faucet due to a reaction between the sacrificial anode and the impurities in the water. If this should happen, an alternative anode may be purchased from the supplier that installed this water heater. This will minimize the odor while protecting the tank. Additionally, the water heater should be flushed with appropriate dissolvers to eliminate any bacteria.

INSTALLATION

LOCATING THE WATER HEATER

⚠ WARNING

Water heaters are heat producing appliances. To avoid damage or injury, do not store materials against the water heater or vent-air intake system. Use proper care to avoid unnecessary contact (especially by children) with the water heater and vent-air intake components. **UNDER NO CIRCUMSTANCES SHALL FLAMMABLE MATERIALS, SUCH AS GASOLINE OR PAINT THINNER BE USED OR STORED IN THE VICINITY OF THIS WATER HEATER, VENT-AIR INTAKE SYSTEM OR IN ANY LOCATION FROM WHICH FUMES COULD REACH THE WATER HEATER OR VENT-AIR INTAKE SYSTEM.**

This water heater MUST NOT be installed in any location where gasoline or flammable vapors are likely to be present, unless the installation is such to eliminate the probable ignition of gasoline or flammable vapors.

Installation (Locating The Water Heater) continued-

Water heaters in residential garages must be installed and located, or protected, to avoid physical damage. For other installations refer to local codes. In the absence of local codes, the water heater must be installed in compliance with the National Fuel Gas Code, (ANSI Z223.1-Latest Edition), or in Canada CAN/CGA B149.1 Natural Gas Installation Code (Latest Edition) or CAN/CGA B149.2 Propane Installation Code (Latest Edition).

The location of this water heater is of the utmost importance. Before installing this water heater read the Installation section of these instructions. After reading these Installation and Operating Instructions, select a location for the water heater where the floor is level and is easily accessible to gas and water supply lines. **DO NOT locate the water heater where water lines could be subjected to freezing temperatures. Make sure the cold water pipes are not located directly above the gas control so that condensate during humid weather does not drip on the controls.**

This water heater MUST be installed indoors out of the wind and weather.

To comply with NSF requirements this water heater is to be:

- a) Sealed to the floor with sealant, in a smooth and easily cleanable way, or
- b) Installed with an optional leg kit that includes legs and/or extensions that provide a minimum clearance of 6" beneath the water heater.

Note: For California installation this water heater must be braced, anchored, or strapped to avoid falling or moving during an earthquake. See instructions for correct installation procedures. Instructions may be obtained from California Office of the State Architect, 400 P Street, Sacramento, CA 95814.

Water heater corrosion and component failure can be caused by the heating and breakdown of airborne chemical vapors. Examples of some typical compounds that are potentially corrosive are: spray can propellants, cleaning solvents, refrigerator and air conditioning refrigerants, swimming pool chemicals, calcium and sodium chloride, waxes and process chemicals. These materials are corrosive at very low concentration levels with little or no odor to reveal their presence. **NOTE: DAMAGE TO THE WATER HEATER CAUSED BY EXPOSURE TO CORROSIVE VAPORS IS NOT COVERED BY THE WARRANTY. DO NOT OPERATE THE WATER HEATER IF EXPOSURE HAS OR WILL OCCUR. DO NOT STORE ANY POTENTIALLY CORROSIVE COMPOUNDS IN THE VICINITY OF THE WATER HEATER.**

▲ WARNING

Liquefied petroleum gases/propane gas are heavier than air and will remain at floor level if there is a leak. Basements, crawl spaces, closets and areas below ground level will serve as pockets for accumulation of leaking gas. Before lighting, smell all around the appliance area for gas. Be sure to smell next to the floor.

IF YOU SMELL GAS:

- Do not try to light any appliance.
- Do not touch any electric switch; do not use any telephone in your building.
- Immediately call your gas supplier from a neighbor's telephone. Follow the gas supplier's instructions.
- If you cannot reach your gas supplier, call the fire department.

DO NOT OPERATE APPLIANCE UNTIL THE LEAKAGE IS CORRECTED!

▲ WARNING

DO NOT ATTEMPT TO LIGHT ANY GAS APPLIANCE IF YOU ARE NOT CERTAIN OF THE FOLLOWING:

- Liquefied petroleum gases/propane gas and natural gas have an odorant added by the gas supplier that aids in the detection of the gas.
- Most people recognize this odor as a "sulfur" or "rotten egg" smell.
- Other conditions, such as "odorant fade" can cause the odorant to diminish in intensity, or "fade", and not be as readily detectable.
- If you have a diminished sense of smell, or are in any way unsure of the presence of gas, immediately contact your gas supplier from a neighbor's telephone.
- Gas detectors are available. Contact your gas supplier, or plumbing professional, for more information.

Installation (Locating The Water Heater) continued-

The water heater must be located close enough to the outside wall to keep the venting distance within the maximum distance described in the installation instructions. Note: The direct vent-air intake terminal must be installed on a vertical wall. Read the venting section in this installation instruction manual before locating the water heater.

This water heater must be located in an area where leakage of the tank or water line connections and the combination temperature and pressure relief valve will not result in damage to the area adjacent to the water heater or to lower floors of the structure. When such locations cannot be avoided, a suitable drain pan, adequately drained, must be installed under the water heater. The pan must not restrict combustion airflow. The drain pan must have a minimum length and width of at least 4 in. (10.2 cm) greater than the diameter of the water heater and must not restrict proper combustion air flow to the water heater. The drain pan, as described above, can be purchased from your plumbing professional. The drain pan must be piped to an adequate drain. The piping must be at least 3/4 inch (1.9 cm) in diameter and pitched for proper drainage.

It is recommended that a minimum clearance of four (4) inches (10.2 cm) be provided on the side of the water heater for servicing and maintenance of the combination temperature and pressure relief valve.

MINIMUM CLEARANCES

WARNING

Failure to adhere to these installation and operating instructions may create a hazard to life and property and will nullify the warranty.

This installation shall allow access to the front of the water heater and adequate clearance shall be provided for servicing and operating this water heater. The water heater may be installed on either a combustible or non-combustible floor. If the water heater is to be installed directly on carpeting, it shall be installed on top of a metal or wood panel extending beyond the full width and depth of the appliance by at least three (3) inches (76.2 mm) in any direction or, if the appliance is to be installed in an alcove or closet, the entire floor shall be covered by the panel. The minimum clearances to combustibles for this water heater is: zero (0) inch (0 cm) from the sides and rear, four (4) inches (10.2 cm) from the front of the jacket, zero (0) inch (0 cm) from the plenum, zero (0) inch (0 cm) from the air intake elbow and telescopic tubes and twelve (12) inches (30.5 cm) from the direct vent-air intake terminal. (See Figure 1).

OPTIONAL DIRECT VENT-AIR INTAKE TERMINAL GUARD

⚠ WARNING

The direct vent-air intake terminal is HOT while the water heater is in operation. Do not touch. Keep children, combustibles, gasoline and other liquids having flammable vapors away.

It is recommended that a vent-air intake terminal guard be installed when the vent-air intake terminal is located where it can be touched accidentally, or accessed by children. (See Figure 2).

A chain link or louvered fence may be used instead of the vent-air intake terminal guard. Maintain proper clearances as specified in this instruction manual to the vent-air intake terminal. (See Figure 3).

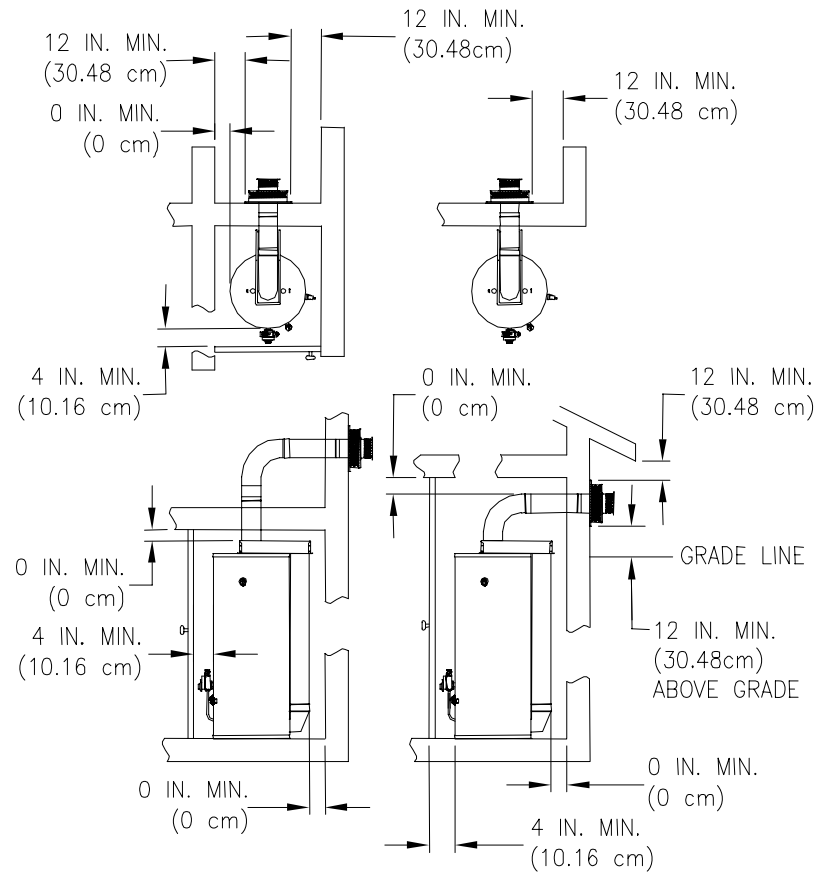


Figure 1

Installation continued-

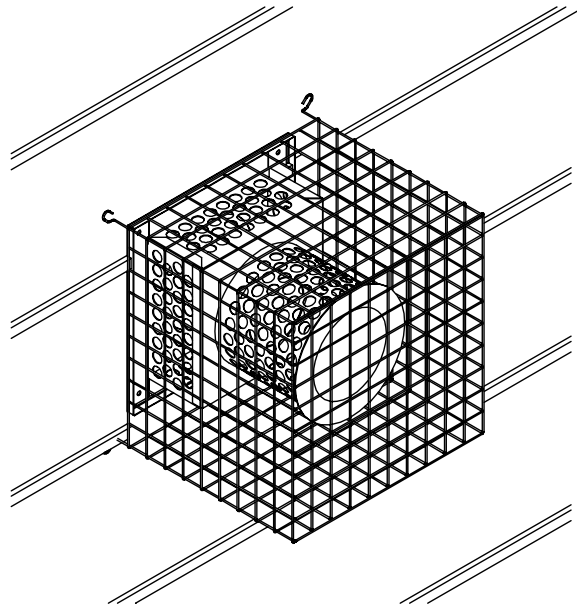


Figure 2

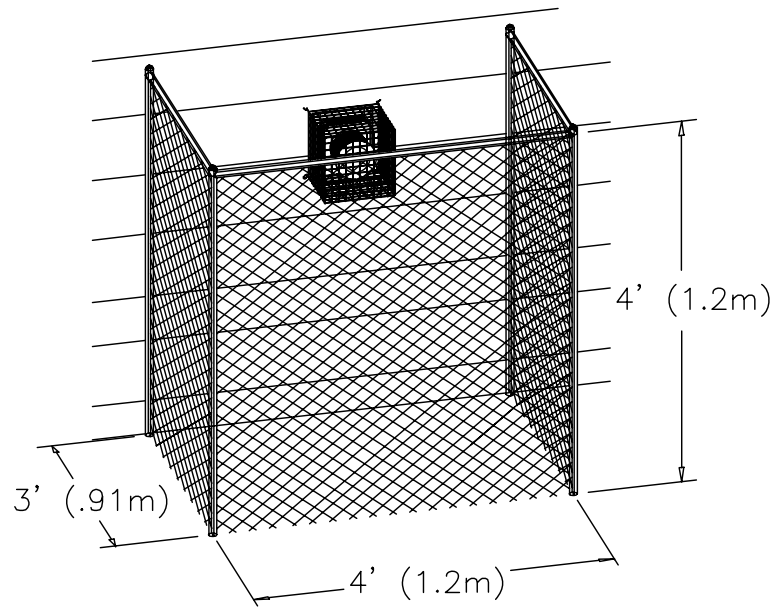


Figure 3

VENTING

This is a Direct Vent Gas Water Heater where all air for combustion is obtained from the outside atmosphere and all flue gases are discharged to the outside atmosphere.

⚠ WARNING

The vent-air intake system must be properly installed. Failure to properly install the vent-air intake system properly could result in property damage, personal injury or death.

DO NOT install any damaged vent-air intake system components. Contact the manufacturer of the water heater for replacement parts.

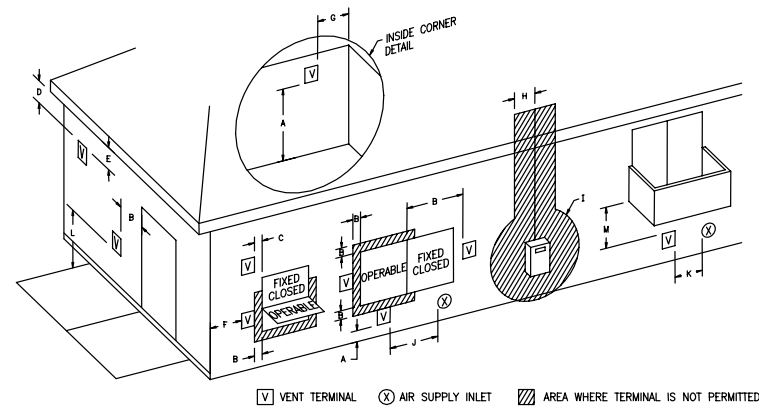


Figure 4
Direct Vent Terminal Clearances

| | Canadian Installations ¹ | US Installations ² |
|---|---|-------------------------------|
| A= Clearance above grade, veranda, porch, deck or balcony | 12 inches (30 cm) | 12 inches (30 cm) |
| B= Clearance to widow or door that may be opened | 12 inches (30 cm) | 9 inches (23 cm) |
| C= Clearance to permanently closed widow | *b | *b |
| D= Vertical clearance to ventilated soffit located above the terminal within a horizontal distance of 2 feet (61 cm) from the center line of the terminal | 12 inches (30 cm) *a | 12 inches (30 cm) *a |
| E= Clearance to unventilated soffit | 12 inches (30 cm) *a | 12 inches (30 cm) *a |
| F= Clearance to outside corner | *b | *b |
| G= Clearance to inside corner | *b | *b |
| H= Clearance to each side of center line extended above meter/regulator assembly | 3 feet (91 cm) within a height 15 feet (4.6 m) above the meter/regulator assembly | *b |

Venting continued-

| | | Canadian Installations ¹ | US Installations ² |
|----|---|-------------------------------------|---|
| I= | Clearance to service regulator vent outlet or oil tank vent | 36 inches (91 cm) | *b |
| J= | Clearance to non-mechanical air supply inlet to building or the combustion air inlet to any other appliance | 12 inches (30 cm) | 9 inches (23 cm) |
| K= | Clearance to a mechanical air supply inlet | 6 feet (1.83 m) | 3 feet (91 cm) above if within 10 feet horizontally |
| L= | Clearance above paved sidewalk or paved driveway located on public property | 7 feet (2.13 m)† | *b |
| M= | Clearance under a veranda, porch, deck, or balcony | 12 inches (30 cm) ‡ | *b |

¹ In accordance with the current CAN/CGA-B149 *Installation Codes*.

² In accordance with the current ANSI Z223.1-(Latest edition)/NFPA 54 *National Fuel Gas Code*.

† A vent shall not terminate directly above a sidewalk or paved driveway that is located between two single-family dwellings and serves both dwellings.

‡ Permitted only if a veranda, porch, deck or balcony is fully open on a minimum of two sides beneath the floor.

*a) A minimum clearance value determined by testing in accordance with section 2.20.

*b) "Clearance in accordance with local installation codes and the requirements of the gas supplier".

The vent system must terminate so that proper clearances are maintained as cited in local codes or the latest edition of the National Fuel Gas Code, ANSI Z223.1.73.4e and 7.8a, b as follows:

1. Do not terminate near soffit vents or crawl space or other area where condensate or vapor could create a nuisance or hazard or cause property damage.
2. Do not terminate the exhaust vent terminal where condensate or vapor could cause damage or could be detrimental to the operation of regulators, relief valves, or other equipment.
3. Do not terminate the exhaust vent terminal over public area or walkways where condensate or vapor can cause nuisance or hazard.
4. The vent shall terminate a minimum of 12 inches above expected snowfall level to prevent blockage of vent termination.

Vent pipes serving power vented appliances are classified by building codes as "vent connectors". Required clearances from combustible materials must be provided in accordance with information in this manual under LOCATION OF WATER HEATER and CLEARANCES, and with National Fuel Gas Code and local code

Venting continued-

The co-axial vent-air intake tubes of this water heater can be installed in any 360° configuration as long as the proper clearances for installation, plumbing, operation and servicing are maintained. (See Figure 5).

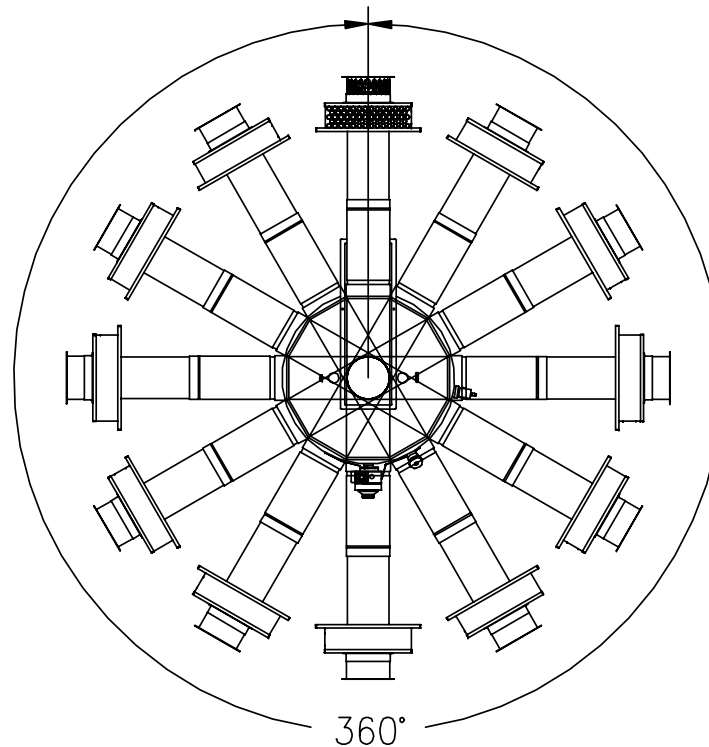


Figure 5

Note: Maintain proper clearances for installation, plumbing, operation and service.

HORIZONTAL AND VERTICAL VENT-AIR INTAKE LENGTHS

This Direct Vent Gas Water Heater comes one (1) vent-air intake "Kit C". Optional vent-air intake kits are available that can extend the horizontal length and/or vertical height of the vent-air intake system. Table A lists the various vertical and horizontal vent-air intake system configurations.

Installation (Horizontal and Vertical Vent-Air Intake Lengths) continued-

The water heater is shipped with the following standard vent and air intake system: 239-41097-00. The components of this vent and air intake systems is as follows:

- | | |
|----------------------------------|------------------------|
| 3" Vent Tube* | Vent Terminal Hardware |
| 5" Air Intake Tube* | RTV Silicone Sealant |
| Vent Terminal | 3" Vent Elbow |
| Inner Wall Term. Mounting Flange | 5" Vent Elbow |
| Outer Wall Term. Mounting Flange | |

*The vent and air intake telescopes from 13 3/4" to 23 11/16".

Table A

| | | Horizontal "X" | | | | |
|--------------|-----------------------|--------------------------------|--------------------------------|-------------------------------|--------------------------------|--------------------------------|
| | | 13 1/4 14 3/16 | 15 17 11/16 | 22 1/4 32 3/16 | 36 55 7/8 | 58 5/16 104 5/16 |
| Vertical "Y" | 10 | order kit A | order kit B | no add'l kit req'd | order kit C | order kit D |
| | 14 3/4 15 11/16 | *order kit A (2) | order kit A & B | order kit A | order kit A & C | order kit A & D |
| | 16 1/2 19 3/16 | order kit A & B | *order kit B (2) | order kit B | order kit B & C | order kit B & D |
| | 23 3/4 33 11/16 | order kit A | order kit B | order kit C | * order kit C (2) | order kit D |
| | 37 1/2 57 3/8 | order kit A & C | order kit C & B | * order kit C (2) | * order kit C (3) | order kit C & D |
| | 59 13/16 105 13/16 | order kit D & A | order kit D & B | order kit D | order kit D & C | *order kit D (2) |

* (2) = Order two of the kits referenced.

* (3) = Order three of the kits referenced.

The bold text above show what kit(s) are needed in addition to the standard vent and air intake tubes. If the standard vent and air intake tubes are not used in the venting system (those that do not have bold text) they can be discarded or saved.

Installation (Horizontal and Vertical Vent-Air Intake Lengths) continued-

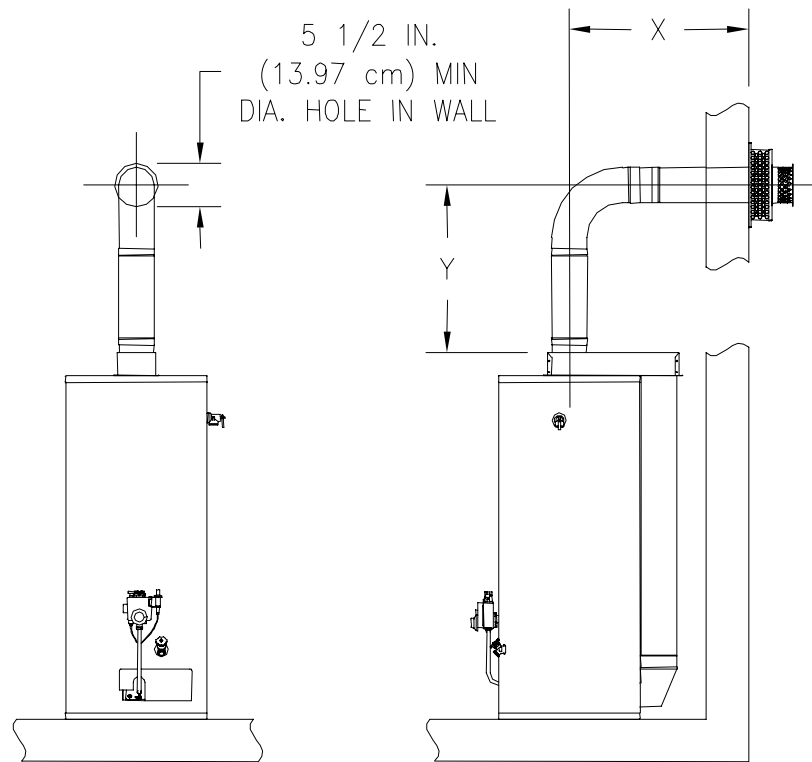


Figure 6

VENT-AIR INTAKE SYSTEM INSTALLATION

WARNING

The vent-air intake system must be properly installed. Failure to properly install the vent-air intake system could result in property damage, personal injury or death.

Do not install any damaged vent-air intake system components. Contact the manufacturer of the water heater for replacement parts.

IMPORTANT

When the following instructions specify, to seal a vent-air intake joint, use only Loctite Ultra Blue 587 RTV Silicone sealant. A tube of Loctite Ultra Blue 587 RTV Silicone sealant is supplied with every direct vent water heater and each optional vent-air intake kit. Make sure that all joints are completely sealed.

When drilling pilot holes for the #8 sheet metal screws through the five (5) inch (12.7 cm) diameter components, be careful not to drill into the inner three (3) inch (7.6 cm) diameter components.

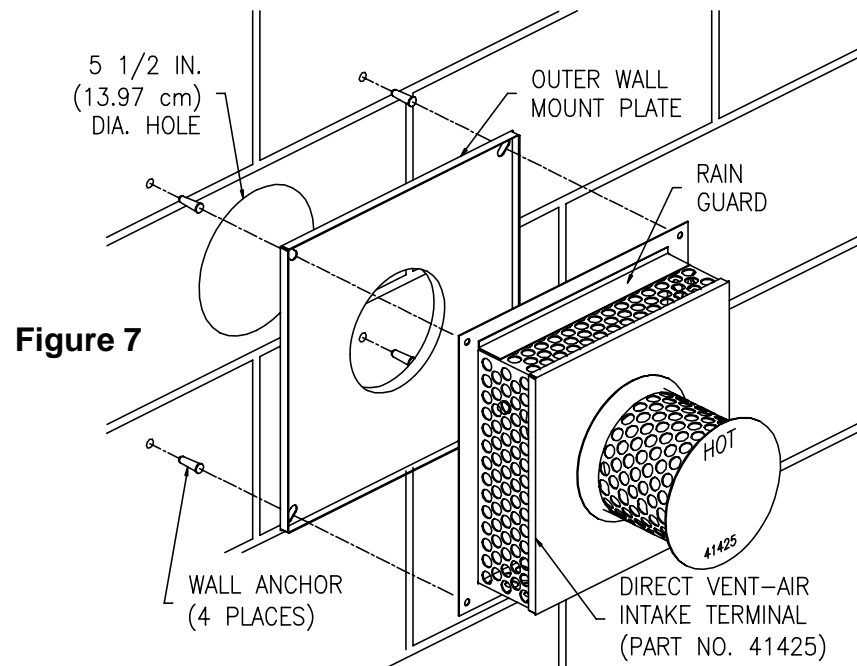
Tools Required For Vent-Air Intake Installation

The following minimum tools are required to properly install the vent-air intake system. *Note: Wall construction will determine tool usage.*

- **Tape Measure**
- **Drill**
- **3/16 inch Diameter Drill Bit(s)**
- **1/8 inch Diameter Drill Bit(s)**
- **Masonry Drill Bit(s)** (For Poured Concrete, Concrete Block and Brick Wall Construction)
- **Reciprocating Saw w/appropriate Blade(s)** (Dependent on Wall Construction)
- **Chisel** (For Poured Concrete, Concrete Block and Brick Wall Construction)
- **Hammer** (For Poured Concrete, Concrete Block and Brick Wall Construction)
- **1/4 & 5/16 inch Nut Drivers (Preferred) or Slotted Head Screwdriver**
- **Phillips Head Screwdriver**

Installation (Vent-Air Intake System Installation) continued-

1. Measure the vertical height "Y" required in your installation. (See Figure 6). Reference the appropriate Table A to determine number of vent-air intake kits required in your installation.
2. Measure the horizontal length "X" required in your installation (See Figure 6). Reference Table A to determine number of vent-air intake kits required in your installation.
3. Cut a 5-1/2 inch (14 cm) diameter minimum clearance hole in the wall at the point where the vent-air intake tubes will pass through the outside wall and connect with the direct vent-air intake terminal (See Figure 6).
4. From outside the building, position the outer wall mount plate and direct vent-air intake terminal over the center of the opening. Mark the mounting screw hole locations. With a 3/16 inch diameter drill bit (not supplied), drill holes for the wall anchors (supplied). Install the wall anchors but **DO NOT** affix the outer wall mount plate and direct vent-air intake terminal to the wall at this time (See Figure 7). Note: Certain construction of walls may require the use of a different type of wall anchoring means than supplied. **DO NOT** modify the direct vent-air intake terminal or outer wall mount plate.



IMPORTANT

The following instructions detail the installation of the standard horizontal vent-air intake kit supplied with the water heater.

5. Insert the straight end of the three (3) inch (7.6 cm) diameter elbow into the flue reducer until firmly seated and oriented in the correct direction. With a 1/8 inch diameter drill bit (not supplied), drill three (3) holes, 120° apart, through the flue reducer into the three (3) inch (7.6 cm) diameter elbow. Fasten with three (3) #8 sheet metal screws (supplied). Using the supplied special RTV silicone sealant, apply a sufficient amount to seal the joint (See Figure 8).

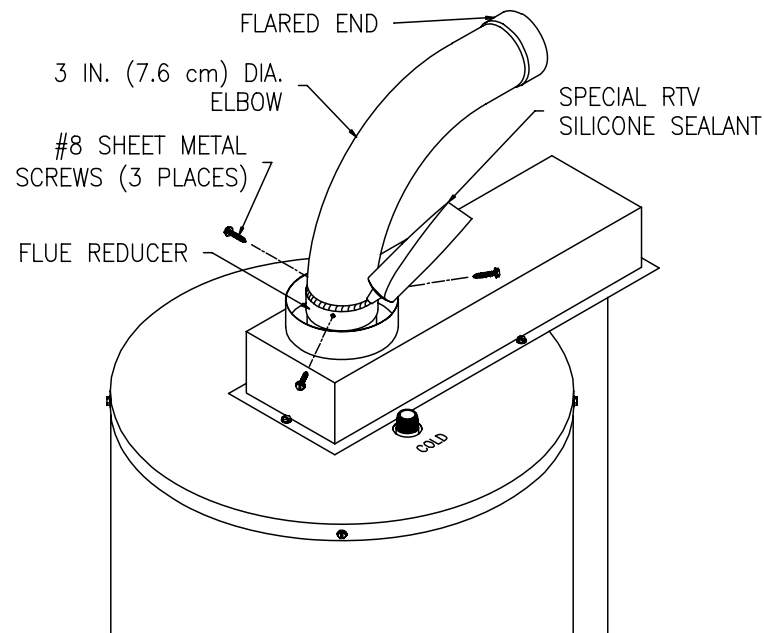


Figure 8

6. Place the straight end of the five (5) inch (12.7 cm) diameter elbow over the three (3) inch (7.6 cm) diameter elbow and plenum collar until seated on top of the plenum box. Make certain that the five (5) inch (12.7 cm) diameter elbow is oriented in the same direction as the three (3) inch (7.6 cm) diameter elbow and both are oriented in the correct direction. Drill three (3) 1/8 inch diameter holes, 120° apart, through the five (5) inch (12.7 cm) diameter elbow into the plenum collar. Fasten with three (3) #8 sheet metal screws (supplied) (See Figure 9).

Installation (Vent-Air Intake System Installation) continued-

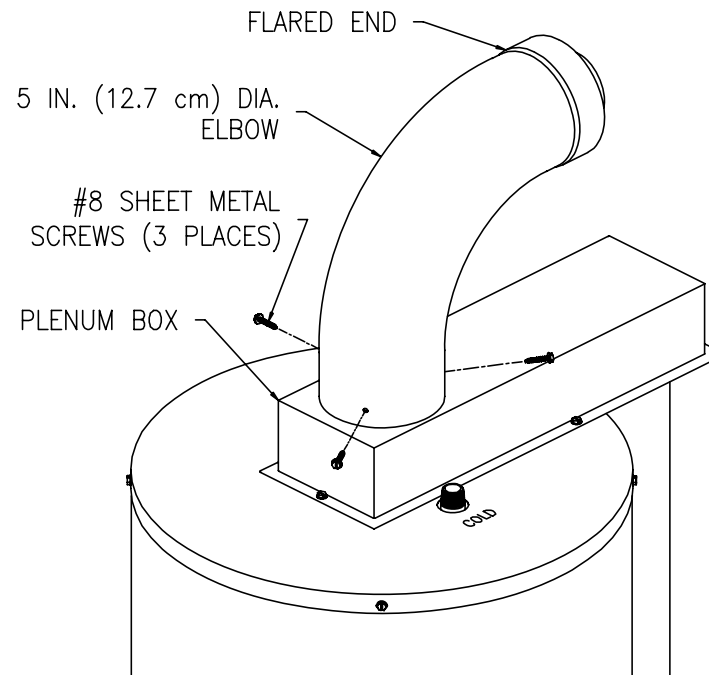


Figure 9

7. Extend the three (3) inch (7.6 cm) diameter telescopic tube to its maximum length and slide the backing plate over it. Place the large end of the three (3) inch (7.6 cm) diameter telescopic tube through the hole in the outside wall. Insert the smaller end of the three (3) inch (7.6 cm) diameter telescopic tube into the flared end of the three (3) inch (7.6 cm) diameter elbow, one (1) inch (2.5 cm) (or until seated). Drill three (3) 1/8 inch diameter holes, 120° apart, through the three (3) inch (7.6 cm) diameter elbow into the three (3) inch (7.6 cm) diameter telescopic tube. Fasten with three (3) #8 sheet metal screws (supplied). Adjust the overall length of the three (3) inch (7.6 cm) diameter telescopic tube so that 2-1/2 inches (6.4 cm) extends beyond the outside wall. Drill three (3) 1/8 inch diameter holes, 120° apart, through the three (3) inch (7.6 cm) diameter telescopic tubes where the small and large sections overlap. Fasten with three (3) #8 sheet metal screws (supplied). Using the supplied special RTV silicone sealant, apply a sufficient amount to seal the joints (See Figure 10).

Installation (Vent-Air Intake System Installation) continued-

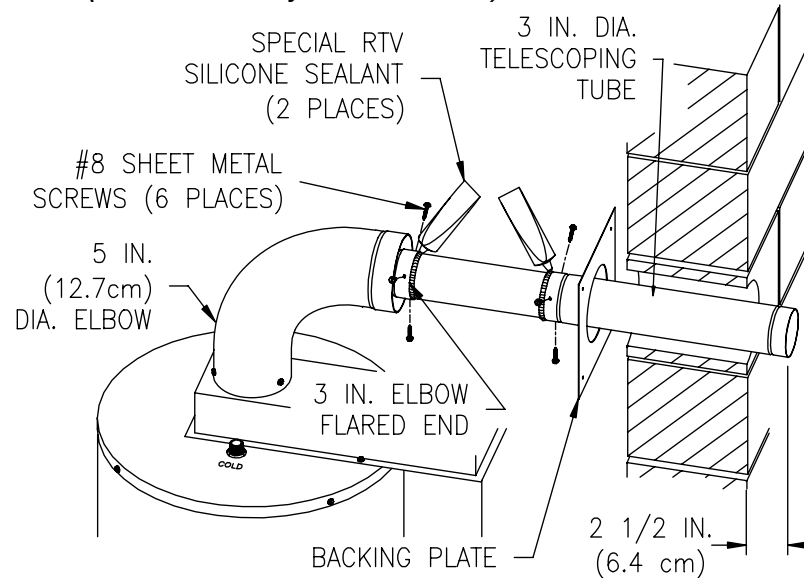


Figure 10

8. Extend the five (5) inch (12.7 cm) diameter telescopic tube to its maximum length. Place the large end of the five (5) inch (12.7 cm) diameter telescopic tube over the collar on the outer wall mount plate. Drill three (3) 1/8 inch diameter holes, 120° apart, through the five (5) inch (12.7 cm) diameter telescopic tube into the collar on the outer wall mount plate. Fasten with three (3) #8 sheet metal screws (supplied). Using the supplied special RTV silicone sealant, apply a sufficient amount to seal the joint (See Figure 11).

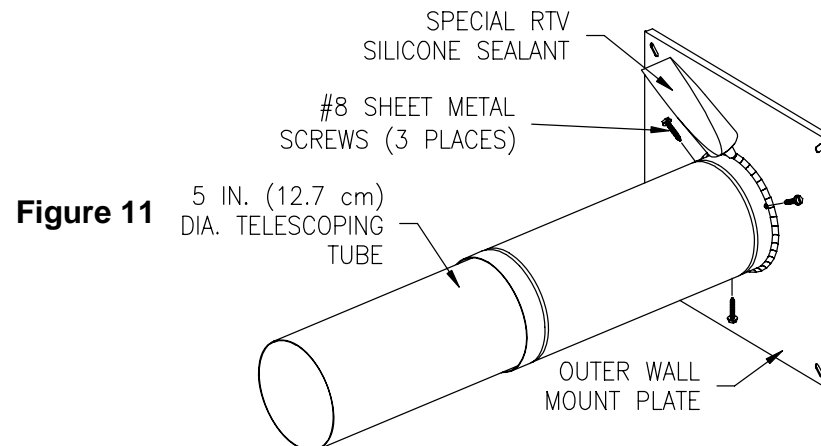


Figure 11

Installation (Vent-Air Intake System Installation) continued-

9. From outside the building, slide the five (5) inch (12.7 cm) diameter telescopic tube through the opening in the wall until the outer wall mount plate is flush with the wall (See Figure 12).

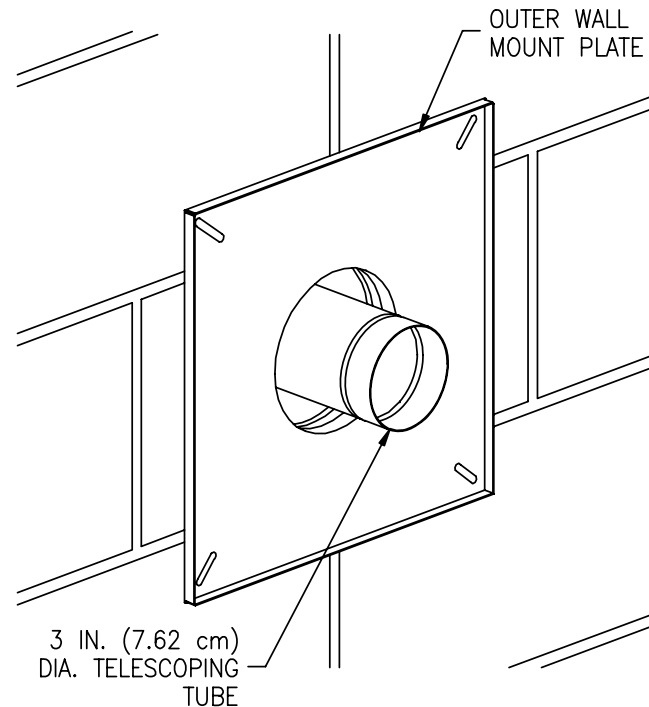


Figure 12

10. Using the supplied special RTV silicone sealant, apply a bead one (1) inch (2.5 cm) from the end of the three (3) inch (7.6 cm) diameter tube that is part of the vent-air intake terminal. Slide the direct vent-air intake terminal into the three (3) inch (7.6 cm) diameter telescopic tube that extends through the wall and position it so it is flush with the outer wall mount plate. Make sure that the rain guard and the word "HOT" on the end of the direct vent-air intake terminal are oriented properly. Secure the direct vent-air intake terminal to the outer wall mount plate and wall with four (4) #10 x 1 inch screws (supplied) (See Figure 13). Note: Certain construction of walls may require the use of different type of anchoring means than supplied. **DO NOT** modify the direct vent-air intake terminal or outer wall mount plate.

Installation (Vent-Air Intake System Installation) continued-

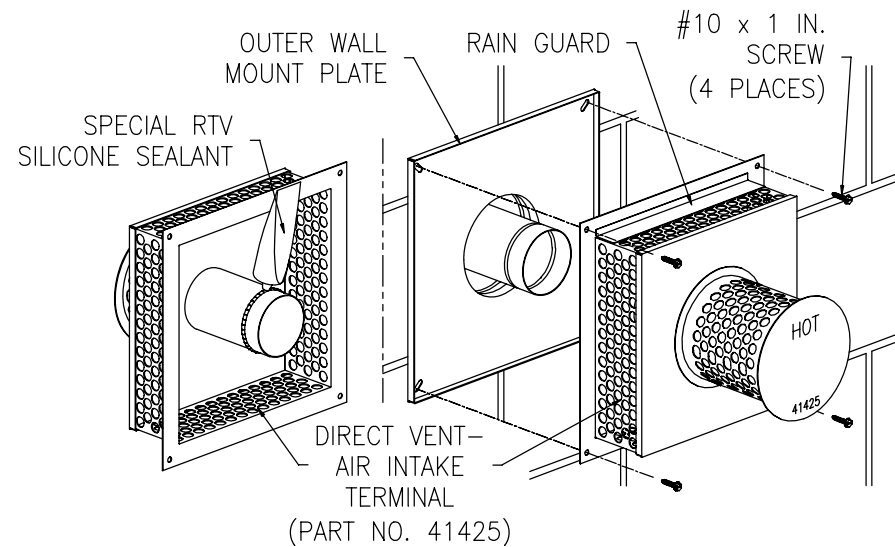


Figure 13

11. From inside the building, slide the backing plate over the five (5) inch (12.7 cm) diameter telescoping tube until it is flush with the wall. Adjust the length of the five (5) inch (12.7 cm) diameter telescoping tube and insert the end into the flared end of the five (5) inch (12.7 cm) diameter elbow one (1) inch (2.5 cm) (or until seated). Drill three (3) 1/8 inch diameter holes, 120° apart, through the five (5) inch (12.7 cm) diameter elbow into the five (5) inch (12.7 cm) diameter telescoping tube and through the tubes where the small and large sections overlap. Fasten with three (3) #8 sheet metal screws (supplied). Using the supplied special RTV silicone sealant, apply a sufficient amount to seal all joints (See Figure 14).

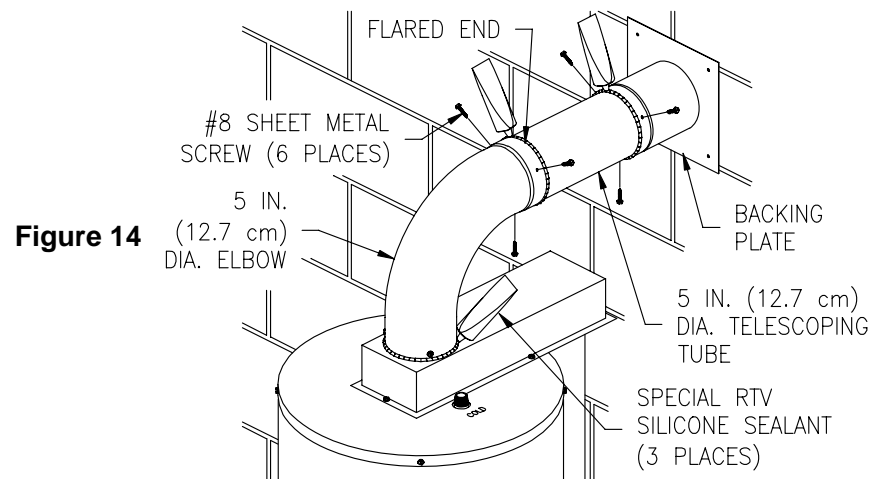


Figure 14

Installation (Vent-Air Intake System Installation) continued-

12. Mark the mounting screw hole locations for the backing plate. Rotate the backing plate in order to gain access to the markings. With a 3/16 inch diameter drill bit (not supplied), drill holes for the supplied wall anchors. Install the wall anchors and secure the backing plate to the wall with four (4) #10 x 1 inch screws (supplied) (See Figure 15). Note: Certain construction of walls may require the use of a different type of anchoring means than supplied.

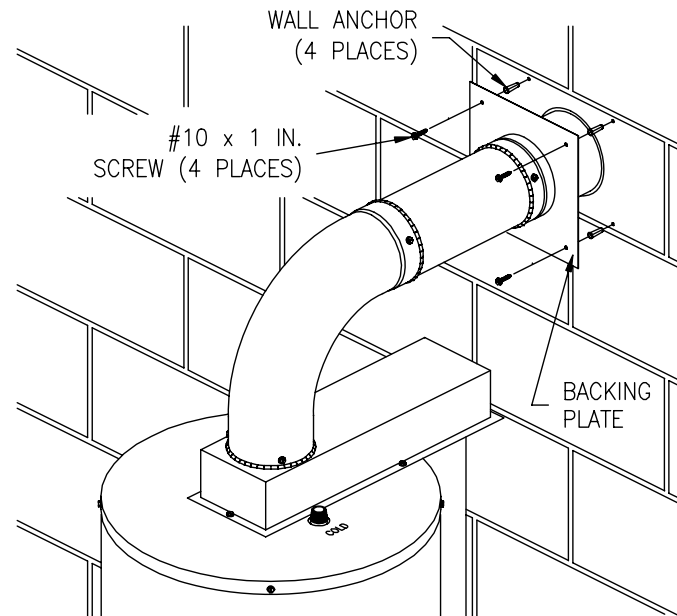


Figure 15

IMPORTANT

When the installation is complete, visually inspect the air intake system to insure that all joints are completely sealed.

WATER CONNECTIONS

Note: BEFORE PROCEEDING WITH THE INSTALLATION, CLOSE THE MAIN WATER SUPPLY VALVE.

After shutting off the main water supply, open a faucet to relieve the water line pressure to prevent any water from leaking out of the pipes while making the water connections to the water heater. After the pressure has been relieved, close the faucet. The COLD water inlet and HOT water outlet are identified on the top of the water heater. The fittings at the cold water inlet and hot water outlet are dielectric waterway fittings with 3/4" NPT male thread. Make the proper plumbing connections between the water heater and the plumbing system to the house. Install a shut-off valve in the cold water supply line.

CAUTION

If sweat fittings are to be used, **DO NOT** apply heat to the nipples on top of the water heater. Sweat the tubing to the adapter before fitting the adapter to the water connections. It is imperative that heat is not applied to the nipples containing a plastic liner.

⚠ WARNING

For protection against excessive temperatures and pressure, install temperature and pressure protective equipment required by local codes, but not less than a combination temperature and pressure relief valve certified by a nationally recognized testing laboratory that maintains periodic inspection of production of listed equipment or materials as meeting the requirements of the Standard for *Relief Valves and Automatic Gas Shutoff Devices for Hot Water Supply Systems, ANSI Z21.22* and the Standard *CAN1-4.4 Temperature, Pressure, Temperature and Pressure Relief Valves and Vacuum Relief Valves*. The combination temperature and pressure relief valve must be marked with a maximum set pressure not to exceed the maximum working pressure of the water heater. The hourly BTU discharge capacity or the rated steam relief capacity of the combination temperature and pressure relief valve must not be less than the input rating of the water heater.

Install the combination temperature and pressure relief valve into the opening provided and marked for this purpose on the water heater.

Note: Some models may already be equipped or supplied with a combination temperature and pressure relief valve. Verify that the combination temperature and pressure relief valve complies with local codes. If the combination temperature and pressure relief valve does not comply with local codes, replace it with one that does. Follow the installation instructions above on this page.

Install a discharge line that terminates six (6) inches (15 cm) above the floor, or any distance below the structural floor, to the outlet of the combination temperature and pressure relief valve. **DO NOT** allow water from the discharge line to contact any live electrical part. The discharge line is to be installed to allow for complete drainage of both the combination temperature and pressure relief valve and the discharge line. The water from the discharge line must be directed to a suitable drain or area that will not be damaged by water (Refer to page 5 "LOCATING THE WATER HEATER." The discharge opening must not be subjected to blockage or freezing. **DO NOT** thread, plug or cap the discharge line.

It is recommended that a minimum clearance of four (4) inches (10.2 cm) be provided on the side of the water heater for servicing and maintenance of the combination temperature and pressure relief valve.

Do not place a shutoff valve between the combination temperature and pressure relief valve and the water heater, or on discharge pipes between such valves or the atmosphere.

▲ WARNING

FAILURE TO INSTALL AND MAINTAIN A NEW, LISTED 3/4" X 3/4" TEMPERATURE AND PRESSURE RELIEF VALVE WILL RELEASE THE MANUFACTURER FROM ANY CLAIM, WHICH MIGHT RESULT FROM EXCESSIVE TEMPERATURES AND PRESSURES.

If this water heater is installed in a closed water supply system, such as the one having a back-flow preventer in the cold water supply, provisions must be made to control thermal expansion. **DO NOT** operate this water heater in a closed system without provisions for controlling thermal expansion. Your water supplier or local plumbing inspector should be contacted on how to control this situation

After installation of the water lines, open the main water supply valve and fill the water heater. While the water heater is filling, open several hot water faucets to allow air to escape from the water system. When a steady stream of water flows through the faucets, close them and check all water connections for possible leaks. **NEVER OPERATE THE WATER HEATER WITHOUT FIRST BEING CERTAIN IT IS FILLED WITH WATER.**

▲ WARNING

Hydrogen gas can be produced in an operating water heater that has not had water drawn from the tank for a long period of time (generally two (2) weeks or more). Hydrogen gas is extremely flammable. To prevent the possibility of injury under these conditions, we recommend the hot water faucet to be open for several minutes at the kitchen sink before you use any electrical appliance that is connected to the hot water system. If hydrogen is present, there will be an unusual sound such as air escaping through the pipes as hot water begins to flow. Do not smoke or have open flame near the faucet at the time it is open.

This water heater can deliver scalding temperature water at any faucet in the system. Be careful whenever using hot water to avoid scalding injury. Certain appliances such as dishwashers and automatic clothing washers may require increased temperature water. By setting the thermostat on this water heater to obtain the increased temperature water required by these appliances, you may create the potential for scald injury. To protect against injury, you should install an ASSE approved mixing valve in the water system. This valve will reduce point of discharge temperature by mixing cold and hot water in branch supply lines. Such valves are available from the manufacturer of this water heater or a local plumbing supplier. Please consult with a plumbing professional.

Gas Connections

The gas supply lines must meet all requirements of the National Fuel Gas Code (ANSI Z223.1-Latest Edition), or in Canada CAN/CGA B149.1 Natural Gas Installation Code (Latest Edition) or CAN/CGA B149.2 Propane Installation Code (Latest Edition).

The minimum permissible gas supply pressure for the purpose of input adjustment is one (1.0) inch (0.25 kPa) water column above the operating manifold pressure. See the rating plate and gas valve for the manifold pressure and gas type. The maximum permissible gas supply pressure is fourteen (14.0) inches (3.5 kPa) water column for natural gas and liquefied petroleum gases/propane gas.

1. Connect this water heater only to the type of gas (Natural or Propane gas) as shown on the rating plate. Use clean black iron pipe or equivalent material approved by local codes and ordinances. (Dirt and scale from the pipe can enter the gas valve and cause it to malfunction). The inlet gas line must have a minimum length of three (3) inches (7.6 cm) drip leg (*sediment trap*) installed as close to the water heater's gas valve as possible. A ground joint union must be installed as close to the water heater as possible in the gas supply line feeding the water heater to permit servicing of the water heater. Compounds used on the threaded joints of the gas piping must be resistant to the action of liquefied petroleum gases/propane gas. DO NOT apply pipe dope to the gas valve inlet and make certain that no pipe dope has become lodged in the inlet screen of the gas valve. Extreme care must be taken to ensure no pipe dope enters the gas valve. Avoid excessive torque when tightening the gas supply line to the gas valve. Excessive torque may result in cracking of the gas valve housing and could create a gas leak. When tightening gas supply line to L.P. control, it is recommended to hold the inlet body of the control securely with an adequate wrench. The suggested maximum torque is 31.5 ft. lbs. (4.4 kg-m).

WARNING

The manufacturer of this water heater will not be liable for any damage or injury caused as a result of a cracked gas inlet as a result of excessive torque.

2. This water heater and its gas connection must be leak tested before placing the water heater in operation. Check for gas leaks with a soap and water solution and a brush or a commercial leak detector fluid. **NEVER USE A MATCH OR OPEN FLAME FOR TESTING!**

CAUTION

The water heater and individual shutoff valve must be disconnected from the gas supply piping system during any pressure testing of the system at test pressures in excess of 1/2 psi (3.5 kPa). The water heater must be isolated from the gas supply piping system by closing its manual shutoff valve during any pressure testing of the gas supply system at test pressures equal to or less than 1/2 psi (3.5 kPa). The supply line must be capped when not connected to the water heater.


3. While checking for leaks care must be taken to prevent solution from contacting the electrical connections at the control. If electrical connections at the control become wet, they must be thoroughly dried before attempting to operate the water heater.

GENERAL OPERATION

WARNING


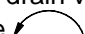
Water heaters are heat producing appliances. To avoid damage or injury, do not store materials against the water heater or vent-air intake system. Use proper care to avoid unnecessary contact (especially by children) with the water heater and vent-air intake system. **UNDER NO CIRCUMSTANCES MUST FLAMMABLE MATERIALS, SUCH AS GASOLINE OR PAINT THINNER BE USED OR STORED IN THE VICINITY OF THIS WATER HEATER, VENT-AIR INTAKE SYSTEM OR IN ANY LOCATION FROM WHICH FUMES COULD REACH THE WATER HEATER OR VENT-AIR INTAKE SYSTEM.**

TO FILL THE WATER HEATER

1. Close the water heater drain valve by turning the knob clockwise .
2. Open the cold water supply shut-off valve.
3. Open several hot water faucets to allow air to escape from the system.
4. When a steady stream of water flows from the faucets, the water heater is filled. Close the faucets and check for water leaks at the water heater drain valve, combination temperature and pressure relief valve and the hot and cold water connections.

TO DRAIN THE WATER HEATER

Should it become necessary to completely drain the water heater, make sure you follow the steps below:

1. Set the thermostat dial to the lowest possible position.
2. Rotate and if applicable partially depress gas control knob clockwise  to the "OFF" position.
3. Shut off the gas supply to the water heater.
4. Close the cold water supply shut-off valve.
5. Open the drain valve on the water heater by turning the knob counter-clockwise . The drain valve has threads on the end that will allow the connection of a standard hose coupling.
6. Open a hot water faucet to allow air to enter the system.

To refill the water heater, refer to "To Fill the Water Heater."

Lighting & Shutdown Instructions

FOR YOUR SAFETY READ BEFORE LIGHTING

WARNING: If you do not follow these instructions exactly, a fire or explosion may result causing property damage, personal injury or loss of life.

A. This appliance has a pilot which is lit by a piezo-electric spark gas ignition system. Do not open the inner door and attempt to light the pilot by hand.

B. BEFORE LIGHTING smell all around the appliance area for gas. Be sure to smell next to the floor because some gas is heavier than air and will settle on the floor.

WHAT TO DO IF YOU SMELL GAS

- Do not try to light any appliance.
- Do not touch any electric switch; do not use any telephone in your building.
- Immediately call your gas supplier from a neighbor's phone. Follow the gas supplier's instructions.
- If you cannot reach your gas supplier, call the fire department.

Use only your hand to push in or turn the gas control knob. Never use tools. If the knob will not push in or turn by hand, don't try to repair it, call a qualified service technician. Force or attempted repair may result in a fire or explosion.

Do not use this appliance if any part has been under water. Immediately call a qualified service technician to inspect the appliance and to replace any part of the control system and any gas control which has been under water.

LIGHTING INSTRUCTIONS

1. STOP! Read the safety information above on this label.
2. Set the thermostat to lowest possible setting.
3. Rotate and if applicable, partially depress gas control knob clockwise to "OFF" position.

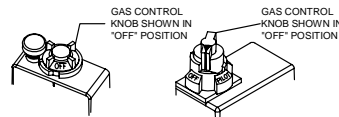


EXHIBIT A

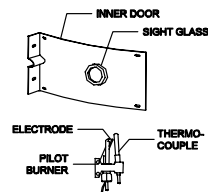
EXHIBIT B

NOTE: On exhibit B, knob cannot be turned from "PILOT" to "OFF" unless knob is depressed slightly. Do not force.

4. Wait five (5) minutes to clear out any gas. Then smell for gas, including near the floor. If you smell gas, STOP! Follow "B" in the safety information above on this label. If you don't smell gas, go to the next step.

5. Remove outer door.
6. Locate piezo igniter button.

7. Look into sight glass window on inner door to view pilot.



8. Turn the gas control knob counterclockwise to "PILOT" position.

9a. FOR EXHIBIT A GAS CONTROLS-

Depress and hold down red pilot set button. Immediately depress piezo igniter button until you hear a "click" sound, then release. Continue to hold down the pilot set button for about one (1) minute after the pilot is lit. Release the pilot set button and it should pop back up. Pilot should remain lit. If it goes out, repeat steps 3 through 9.

9b. FOR EXHIBIT B GAS CONTROLS-

Depress and hold down gas control knob. Immediately depress piezo igniter button until you hear a "click" sound, then release. Continue to hold down the knob for about one (1) minute after the pilot is lit. Release the knob and it should pop back up. Pilot should remain lit. If it goes out, repeat steps 3 through 9.

FOR EXHIBIT A & B GAS CONTROLS-

- If button or knob does not pop up when released, stop and immediately call your service technician or gas supplier.
- If the pilot will not stay lit after several tries, turn the gas control knob to "OFF" and call your technician or gas supplier.

10. Replace outer door.
11. Turn gas control knob counterclockwise to "ON" position.
12. Set thermostat to desired setting.

TO TURN OFF GAS TO APPLIANCE

1. Set the thermostat dial to lowest possible setting.
2. Rotate and if applicable, partially depress gas control knob clockwise to "OFF" position.

THERMOSTAT ADJUSTMENT

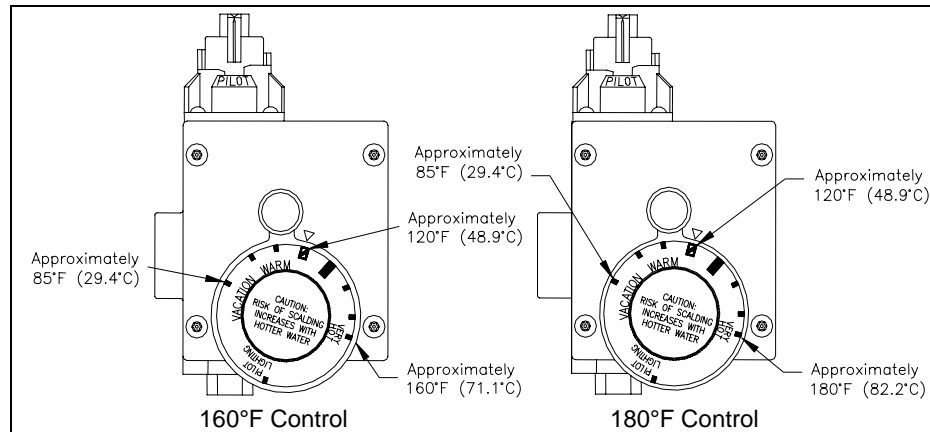


Figure 16

The thermostat dial is set to its lowest temperature setting when shipped from the factory. **Remember that lower temperature settings are more energy efficient.** Adjust the temperature by turning the thermostat dial. It is suggested that the starting point setting not be greater than the "▲" or "■" mark of the thermostat dial (approximately 120°F [48.9°C]) as indicated below. Rotate the thermostat dial **clockwise** to **decrease** the temperature setting. Rotate the thermostat dial **counter-clockwise** to **increase** the temperature setting. Adjust the dial until the minimum acceptable temperature is achieved (See figure 16 above for approximate temperature settings).

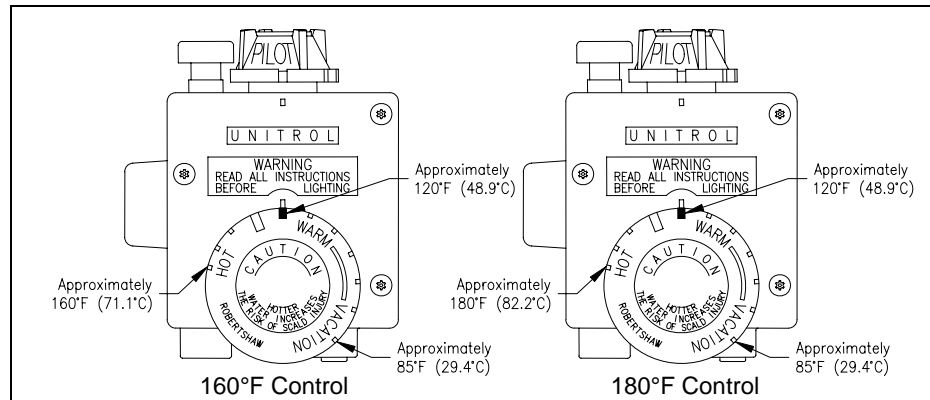


Figure 17

The thermostat dial is set to its lowest temperature setting when shipped from the factory. **Remember that lower temperature settings are more energy efficient.** Adjust the temperature by turning the thermostat dial. It is suggested that the starting point setting not be greater than the "■" mark on the thermostat dial (approximately 120°F [48.9°C]) as indicated below. Rotate the thermostat dial **counter-clockwise** to **decrease** the temperature setting. Rotate the thermostat dial **clockwise** to **increase** the temperature setting. Adjust the dial until the minimum acceptable temperature is achieved (See figure 17 above for approximate temperature settings).

Thermostat Adjusting continued-

⚠ DANGER

Hotter water increases the risk of scald injury. Scalding may occur within five (5) seconds at a temperature setting of 140° F (60° C). To protect against hot water injury, install an ASSE approved mixing valve in the water system. This valve will reduce point of discharge temperature by mixing cold and hot water in branch water lines. A licensed plumbing professional or local plumbing authority should be consulted.

Note: This water heater is equipped with an energy cut out device to prevent overheating. Should overheating occur or the gas supply fail to shut off, turn off the manual gas control valve to the appliance and call a qualified service technician.

Note: Whenever the water heater is filled with cold water, condensate will form on the cool tank surface and drops of water will fall on the hot burner and combustion chamber surfaces producing a “sizzling” noise. Condensation is normal and does not indicate a leak. It will disappear when the tank becomes heated.

BURNER FLAME CHECKS

At the time of installation and at periodic intervals (not more than six (6) months), a visual check of the pilot and main burner flames should be conducted. The flames should be similar to those pictured below. The main burner should light smoothly from the pilot. (See Figure 18).

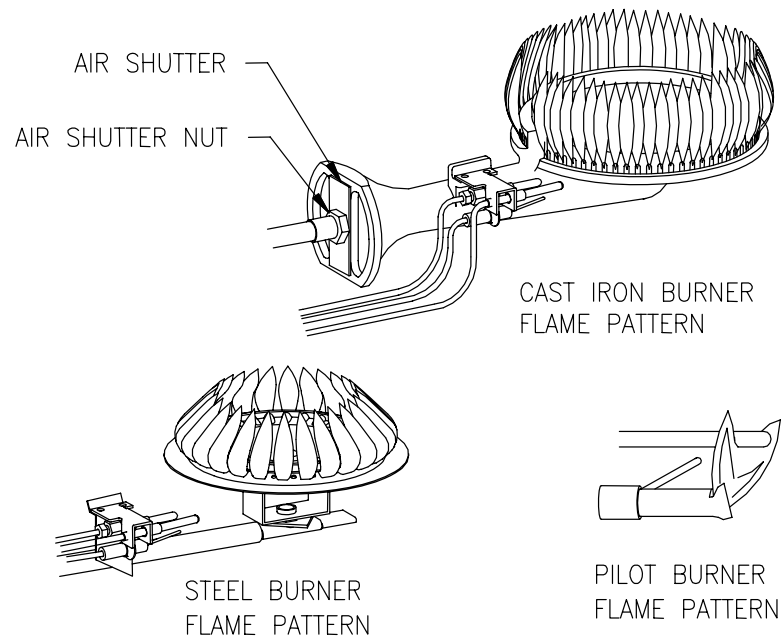


Figure 18

MAINTENANCE

WARNING

Water heaters are heat producing appliances. To avoid damage or injury, do not store materials against the water heater or vent-air intake system. Use proper care to avoid unnecessary contact (especially by children) with the water heater and vent-air intake system. **UNDER NO CIRCUMSTANCES MUST FLAMMABLE MATERIALS, SUCH AS GASOLINE OR PAINT THINNER BE USED OR STORED IN THE VICINITY OF THIS WATER HEATER, VENT-AIR INTAKE SYSTEM OR IN ANY LOCATION FROM WHICH FUMES COULD REACH THE WATER HEATER OR VENT-AIR INTAKE SYSTEM.**

IMPORTANT

The water heater should be inspected at a minimum annually by a qualified service technician for damaged components and/or joints not sealed. DO NOT operate this water heater if any part is found damaged or if any joint is found not sealed.

The following maintenance should be performed by a qualified service technician at the minimum periodic intervals suggested below. In some installations the maintenance interval may be more frequent depending on upon the amount of use and the operating conditions of the water heater. Regular inspection and maintenance of the water heater and vent-air intake system will help to insure safe and reliable operation.

1. Annually check the operation of the thermostat.
2. The flow of combustion and ventilation air **MUST NOT** be restricted. Annually inspect the direct vent-air intake terminal to insure it is not blocked or damaged. Clear the direct vent-air intake terminal openings of any dirt, dust, or other restrictions. **WARNING!** Certain areas of the direct vent-air intake terminal are **HOT**.
3. Annually inspect the vent-air intake system to insure that all components are securely fastened and all joints and seams are properly sealed.
4. At all times keep the water heater area clear and free from combustible materials, gasoline and other flammable vapors and liquids.
5. Bi-annually conduct a visual check of the main and pilot burner flames to determine that they are burning properly. See information on page 32 "BURNER FLAME CHECKS."

Maintenance continued-

6. Annually remove the inner door and main burner assembly to clean orifices and related parts of any dirt or other foreign material. Inspect the burner ports for obstructions or debris and clean with a wire brush as needed. Wire brush and/or vacuum clean the combustion chamber as needed to remove scale deposits and debris. Inspect the inner door gasket for wear and tear and replace if necessary. **NOTE:** It is imperative for proper operation of the water heater that the inner door be properly sealed.
7. At least once a year, check the combination temperature and pressure relief valve to insure that the valve has not become encrusted with lime. Lift the lever at the top of the valve several times until the valve seats properly without leaking and operates freely.

⚠ WARNING

When lifting lever of the combination temperature and pressure relief valve, hot water will be released under pressure. Be careful that any released water does not result in bodily injury or property damage.

8. Monthly, drain off a gallon of water to remove silt and sediment by using the water heater's drain valve.

⚠ WARNING! THIS WATER MAY BE HOT.

9. If the combination temperature and pressure relief valve on the appliance discharges periodically, this may be due to thermal expansion in a closed water supply system. Contact the water supplier or local plumbing inspector on how to correct this situation. Do not plug the combination temperature and pressure relief valve outlet.
10. A combination sacrificial anode rod/hot water outlet nipple has been installed to extend tank life. The anode rod should be inspected periodically (every two (2) years) and replaced when necessary to prolong tank life. Contact the plumbing professional who installed the water heater or the manufacturer listed on the rating plate for anode replacement information. The use of a water softener may increase the speed of anode consumption. More frequent inspection of the anode is needed when using softened (or phosphate treated) water.
11. The vent system must be inspected at least once a year to ensure against leakage of exhaust products.

⚠ CAUTION

FOR YOUR SAFETY, **DO NOT** ATTEMPT REPAIR OF COMBINATION GAS CONTROL, BURNERS OR GAS PIPING. REFER REPAIRS TO A QUALIFIED SERVICE TECHNICIAN.

Contact your supplier or plumbing professional for replacement parts or contact the company at the address given on the rating plate of the water heater.

Provide the part name, model and serial numbers of the water heater when ordering parts.

READ THE WARRANTY FOR A FULL EXPLANATION OF THE LENGTH OF TIME THAT PARTS AND THE WATER HEATER ARE WARRANTED.

Manufactured under one or more of the following U.S. Patents: RE.34,534; B1 5,341,770; 4,416,222; 4,628,184; 4,669,448; 4,672,919; 4,808,356; 4,829,983; 4,861,968; 4,904,428; 5,000,893; 5,023,031; 5,052,346; 5,081,696; 5,092,519; 5,115,767; 5,199,385; 5,277,171; 5,372,185; 5,485,879; 5,574,822; 5,596,952; 5,660,165; 5,682,666; 5,761,379; 5,943,984; 5,954,492; 5,988,117; 6,142,216; 6,684,821; 7,063,132;
Other U.S. and Foreign patent applications pending. Current Canadian Patents: 1,272,914; 1,280,043; 1,289,832; 2,045,862; 2,092,105; 2,107,012; 2,108,186; 2,112,515

Complete the following information and retain for future reference:

Model No: _____

Serial No: _____

Service Phone No.

Days: _____ Nights: _____

Address: _____

Supplier: _____

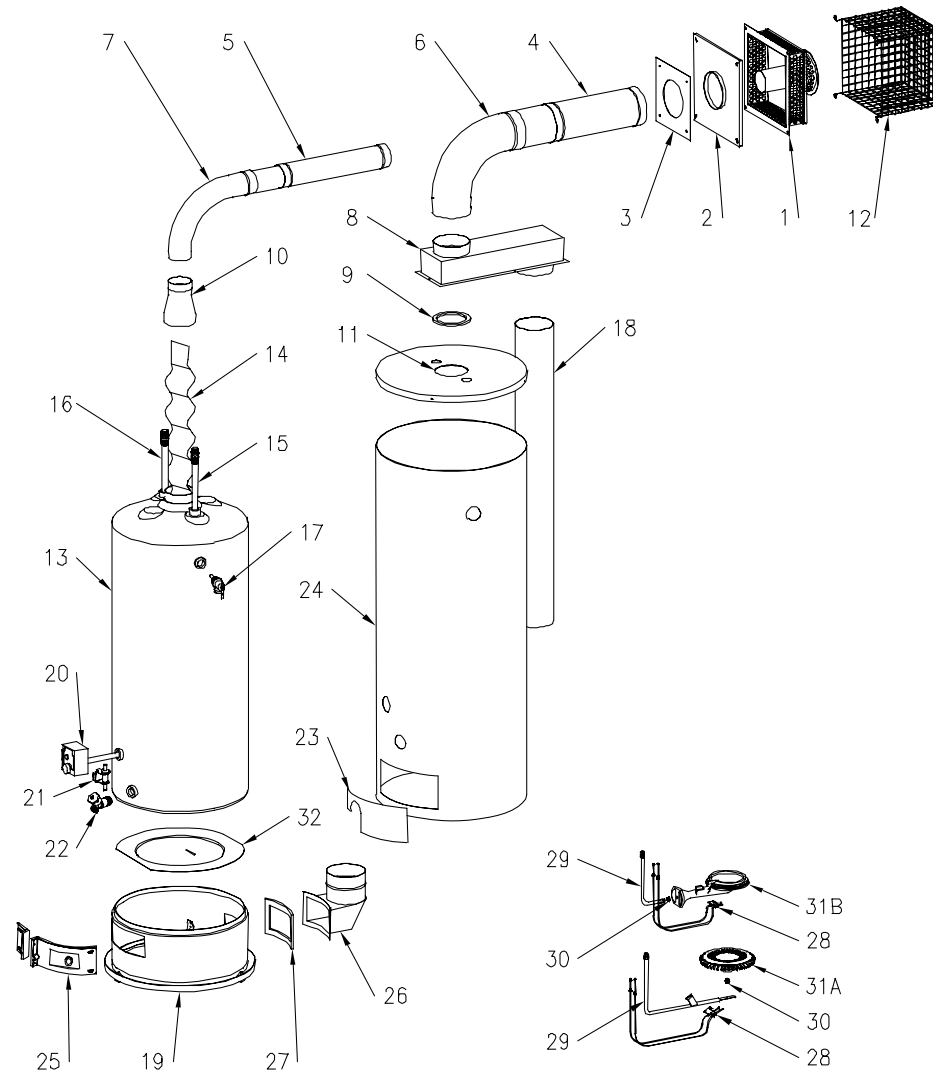
Supplier's Phone No: _____

PARTS LIST

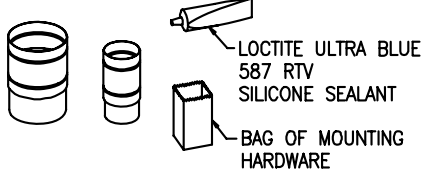
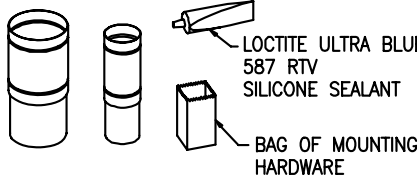
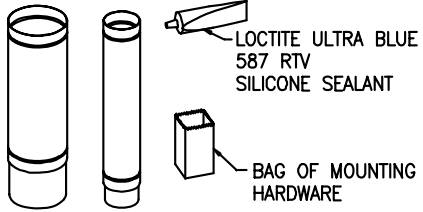
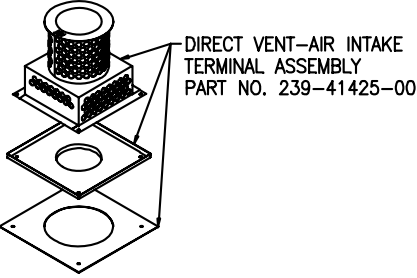
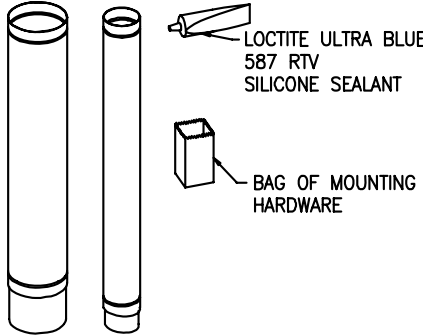
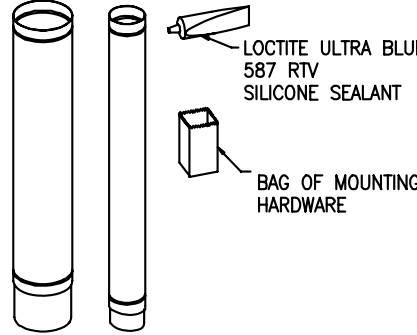
| PART NAME & DESCRIPTION | | | |
|-------------------------|---|------|---|
| 1. | Direct Vent-Air Intake Terminal | 21. | Piezo Ignitor Assembly |
| 2. | Outer Wall Mount Plate | 22. | Drain Valve |
| 3. | Backing Plate | 23. | Outer Door |
| 4. | Five (5) inch (12.7 cm) Diameter Telescopic Air Intake Tube | 24. | Jacket |
| 5. | Three (3) inch (7.6 cm) Diameter Telescopic Vent Tube | 25. | Inner Door Assembly |
| 6. | Five (5) inch (12.7 cm) Diameter Elbow | 26. | Air Intake Boot |
| 7. | Three (3) inch (7.6 cm) Diameter Elbow | 27. | Air Intake Boot Gasket |
| 8. | Plenum | 28. | Pilot Assembly w/Electrode |
| 9. | Plenum Gasket | 29. | Gas Feed Line (<i>Burner</i>) |
| 10. | Flue Reducer | 30. | Main Burner Orifice |
| 11. | Jacket Top | 31A. | 42 Port Steel Burner |
| 12. | Direct Vent-Air Intake Terminal Guard (<i>Optional</i>) | 31B. | 65 Port Cast Iron Burner (<i>Certain Models</i>) |
| 13. | Glass Lined Tank | 32. | Radiation Shield |
| 14. | Flue Baffle Assembly | 33A. | Direct Vent-Air Intake Kit A (<i>Optional</i>) |
| 15. | Dip Tube & Nipple | 33B. | Direct Vent-Air Intake Kit B (<i>Optional</i>) |
| 16. | Anode Rod & Nipple | 33C. | Direct Vent-Air Intake Kit C (<i>Supplied & Optional</i>) |
| 17. | Temperature-Pressure Relief Valve (<i>Certain Models</i>) | 33D. | Direct Vent-Air Intake Kit D (<i>Optional</i>) |
| 18. | Air Intake Tube | 33E. | Direct Vent-Air Intake Kit E (<i>Optional</i>) |
| 19. | Combustion Chamber Assembly | 34. | Loctite Ultra Blue 587 RTV Silicone Sealant |
| 20. | Combination Gas Control w/E.C.O. | | |

Note: Provide the part name, model and serial numbers of the water heater when ordering parts.

DIRECT VENT WATER HEATER



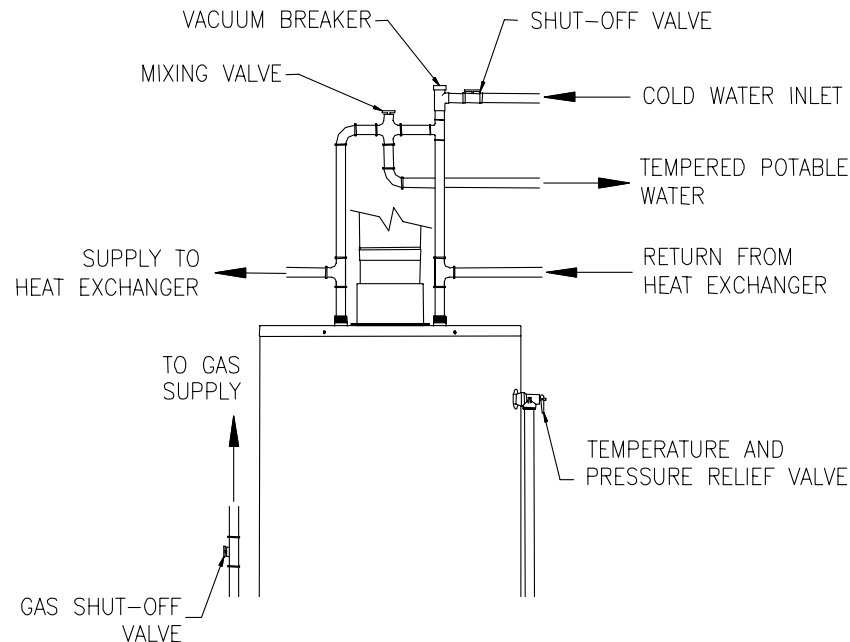
VENT-AIR INTAKE KITS

| | |
|---|--|
|  <p>LOCTITE ULTRA BLUE 587 RTV SILICONE SEALANT</p> <p>BAG OF MOUNTING HARDWARE</p> <p>DIRECT VENT-AIR INTAKE KIT A [PART NO. 2434126000 (OPTIONAL)]</p> |  <p>LOCTITE ULTRA BLUE 587 RTV SILICONE SEALANT</p> <p>BAG OF MOUNTING HARDWARE</p> <p>DIRECT VENT-AIR INTAKE KIT B [PART NO. 2434133100 (OPTIONAL)]</p> |
|  <p>LOCTITE ULTRA BLUE 587 RTV SILICONE SEALANT</p> <p>BAG OF MOUNTING HARDWARE</p> <p>DIRECT VENT-AIR INTAKE KIT C [PART NO. 2434102900 (OPTIONAL)]</p> |  <p>DIRECT VENT-AIR INTAKE TERMINAL ASSEMBLY PART NO. 239-41425-00</p> |
|  <p>LOCTITE ULTRA BLUE 587 RTV SILICONE SEALANT</p> <p>BAG OF MOUNTING HARDWARE</p> <p>DIRECT VENT-AIR INTAKE KIT D [PART NO. 2434142400 (OPTIONAL)]</p> |  <p>LOCTITE ULTRA BLUE 587 RTV SILICONE SEALANT</p> <p>BAG OF MOUNTING HARDWARE</p> <p>DIRECT VENT-AIR INTAKE KIT E [PART NO. 2434147300 (OPTIONAL)]</p> |

**THE FOLLOWING INSTRUCTIONS ARE FOR INSTALLATION OF:
GAS WATER HEATERS
SUITABLE FOR WATER (POTABLE) HEATING AND SPACE
HEATING**

1. All piping components connected to this water heater for space heating applications must be suitable for use with potable water. In Massachusetts, space heating piping length **must not** exceed 50 feet.
2. Toxic chemicals, such as those used for boiler treatment, **must not** be introduced into potable water used for space heating;
3. This water heater **must not** be connected to an existing heating system or component(s) previously used with a non-potable water heating appliance;
4. When the system requires water for space heating at temperatures higher than required for other means, such as an ASSE approved mixing valve must be installed to temper the water for those uses in order to reduce the scald hazard potential.

Please refer to the illustration for suggested piping arrangements.



NOTES

Free Manuals Download Website

<http://myh66.com>

<http://usermanuals.us>

<http://www.somanuals.com>

<http://www.4manuals.cc>

<http://www.manual-lib.com>

<http://www.404manual.com>

<http://www.luxmanual.com>

<http://aubethermostatmanual.com>

Golf course search by state

<http://golfingnear.com>

Email search by domain

<http://emailbydomain.com>

Auto manuals search

<http://auto.somanuals.com>

TV manuals search

<http://tv.somanuals.com>