

AQUATIC

Real Luxury for Real Life®.



OWNER'S MANUAL & INSTALLATION GUIDE

Note: Read all instructions before proceeding with installation.
All specifications are $\pm 1/4"$ and are subject to change without notice.

DELICAIRE LAUNDRY BASIN

AQUATIC

Real Luxury for Real Life®

TABLE OF CONTENTS

PRODUCT REGISTRATION INFORMATION	3
CONGRATULATIONS!	4
SAFETY INSTRUCTIONS	5
INSTALLATION INSTRUCTIONS	
Pre-Installation Procedures	6
Installation Procedures	7
Electrical Specifications	7
OPERATION	
Drilling Holes for Faucet Hardware	8
Delicair Laundry Basin Operations/Control Systems	8
User Information/Serial Number Location	9
FCC Information	9
MAINTENANCE AND CARE	
Initial Cleaning	10
Surface Cleaning	10
Surface Scratch Removal	10
Repair Information	10
PARTS ORDER FORM/PARTS MAPS/PARTS LIST	
Parts Order Form	11
Parts Map and List	12, 13
AQUATIC LIMITED WARRANTY	14

AQUATIC INDUSTRIES, INC.

Product Registration Information

Your product warranty is registered and confirmed with Aquatic through the Serial Number on your unit and/or your invoice number. You do not need to contact Aquatic to confirm registration. Please fill out the information below and reference when contacting the distributor to expedite warranty claims.

OWNER INFORMATION:

Model Name

Serial Number

(See Table of Contents for Location)

Purchase Date

Distributor

AQUATIC

Real Luxury for Real Life®

P.O. Box 889 • Leander, TX 78646-0889
Phone (800) 928-3707 • Fax (888) 296-7450

CONGRATULATIONS!

Aquatic Industries supports your purchase with strong commitments to quality and customer satisfaction. Please read and follow all of the instructions contained in this Owner's Manual before installing, operating or maintaining your Delicair Laundry Basin. In addition, you should continually refer to these instructions during the life of your product. Failure to comply with these instructions may invalidate your warranty. If you have any questions concerning installation, operation, maintenance or any other aspect of your product, please contact:

AQUATIC INDUSTRIES CUSTOMER SERVICE CENTER: 800-928-3707

NOTE:

The installation and service of your Delicair Laundry Basin should be performed **ONLY** by a qualified technician or plumber.

IMPORTANT!

This product **MUST BE WATER-TESTED** and inspected prior to installation or warranty will be voided. See page 6 for instructions.

PLEASE CHECK ENTIRE UNIT FOR ANY DAMAGE.

If it appears damaged, contact your Aquatic Distributor **immediately**.
Aquatic Industries, Inc. warranty does not cover damage that occurs in transit.

IMPORTANT SAFETY INSTRUCTIONS

WARNING: WHEN USING THIS UNIT, THESE BASIC PRECAUTIONS SHOULD BE FOLLOWED.

This manual contains information and instructions for proper operation and maintenance of your Delicair Laundry Basin. Failure to follow these instructions could result in personal injury, electrical shock or fire.

READ AND FOLLOW ALL INSTRUCTIONS

DANGER! TO REDUCE THE RISK OF INJURY:

Do not permit children to use this unit unless they are closely supervised by an adult at all times.

Use Delicair Laundry Basin only for its intended use as described in this manual. Do not use attachments not recommended by the manufacturer.

WARNING: Never operate electrical devices in or near the Delicair Laundry Basin.

Never drop or insert any object into any opening within the Delicair Laundry Basin.

This unit must be connected to a supply circuit that is protected by a Ground Fault Circuit Interrupter (GFCI). Such a device should be installed by a licensed electrician and should be tested on a regular basis (at least monthly).

To test the GFCI push the TEST button. The GFCI should interrupt the power. Push the RESET button and the power should be restored. If the GFCI fails to operate in this manner there is the possibility of an electric shock. **DO NOT USE.** Disconnect the unit and have the problem corrected by a qualified electrician.

To avoid the possibility of personal injury and discoloration of the acrylic surface, the inlet water temperature should not exceed 60°C (140°F). The Delicair Laundry Basin should be drained after each use.

CAUTION: DO NOT USE HARSH ABRASIVES OR SOLVENTS FOR CLEANING THIS UNIT. INSTALLER/OWNER BEARS ALL RESPONSIBILITY TO COMPLY WITH ALL STATE AND LOCAL CODES WHEN INSTALLING THIS PRODUCT.

SAVE THESE INSTRUCTIONS

INSTALLATION INSTRUCTIONS/GUIDELINES

READ ALL INSTRUCTIONS CAREFULLY BEFORE INSTALLATION

PRE-INSTALLATION PROCEDURES

Note: A good knowledge of construction techniques, plumbing and electrical installation according to codes are required for proper installation. We recommend that a qualified licensed contractor perform the installation of all Aquatic products. Our warranty does not cover improper installation related problems.

1. Immediately upon receiving your Aquatic Delicair sink, inspect it thoroughly for freight damage. If necessary, contact your dealer/distributor immediately. Should inspection indicate any damage, do not install the Delicair sink.

Damage or defect to the finish claimed after the Delicair sink is installed is not covered under the warranty.

2. Remove packing material between the sink and blower.
3. All Delicair sinks are filled with water and operated in our manufacturing facility prior to shipment. Inspectors ensure watertight operation; however, rough handling may cause leaks which may be detected prior to installation.

TO INSPECT:

4. Place the Delicair sink in an area where it may be drained after testing.
5. Fill the Delicair sink with hot water (approx. 100 degrees F) and allow to stand for 10 minutes. Carefully inspect all fittings and connections for leaks.
6. Plug in blower cord and run the air blower on high speed for 10 minutes.
7. Inspect the Delicair sink completely. Any defect must be reported to Aquatic Industries, Inc. prior to installation in order to have it covered by warranty. **Should inspection indicate any damage or leaks, do not install the Delicair sink.**

Damage or leaks claimed after the Delicair sink is installed are not covered under the warranty.

8. Check to ensure that your installation will conform to all applicable codes and secure necessary permits. All electrical and plumbing connections should be made by qualified electricians and plumbers.

WARNING: FAILURE TO FOLLOW THESE INSTRUCTIONS DURING INSTALLATION WILL RESULT IN TERMINATION OF THE WARRANTY.

Do not lift the Delicair sink by any portion of the plumbing or blower.
Do not stand in or on the Delicair sink during construction.

DO NOT MAKE ANY ALTERATIONS, ADDITIONS OR DELETIONS TO THE DELICAIR SINK SYSTEM.

WARNING: The Delicair sink blower and piping is factory assembled. Relocation of blower or other modifications could adversely affect the performance and safe operation of the Delicair sink. Aquatic Industries, Inc. shall not be liable under its warranty or otherwise for personal injury or damage caused by any such unauthorized modification.

NOTE: The Delicair sink should remain in its shipping carton until time of installation.

9. Literature dimensions are for reference only. Installation dimensions should be taken directly from the Delicair sink. An access opening of at least 16" x 16" minimum must be provided by the blower allowing sufficient clearance to make final connections and for servicing of the blower. It is the installer's responsibility to provide sufficient service access.

NOTE: Watertight installation of the drain is the installer's responsibility. Drain leakage is not included in the warranty of this product.

INSTALLATION INSTRUCTIONS/GUIDELINES

INSTALLATION PROCEDURES

1. Measure the sink. Using measurement, find the center point over the cabinet area where the sink is to be installed. **See Figure 1.**
2. Place the Delicair sink UPSIDE DOWN on counter top being careful not to damage the control panel. With a pencil, trace a line around the outside edge of the sink onto the countertop.
3. Remove the sink from the countertop.
4. Measure in 3/4" and draw new lines inside the first sink outline.
5. Cut out the countertop on this INNER line.
6. Install the sink hardware (faucets, drain etc.) before installing the sink in cutout area of the countertop. Remember to install basket strainers and drains with plumber's putty only.
7. Clean edge of counter 1" from opening with denatured alcohol.
8. Turn Delicair sink upside down and apply a bead of acrylic latex caulk, such as DAP™ Alex Plus™ Acrylic Latex Caulk plus Silicone to the lip of the Delicair sink.
9. Check location of drain trap and water supply outlets.
10. Carefully place the sink in position, line up all hardware with taps and drain. Press Delicair sink firmly into place. Place a heavy object in the sink to hold the sink down (Be careful not to scratch the sink's surface). Smooth and trim the bead of caulk. Allow to set overnight, without moving or disturbing in any way. No clamps are required.

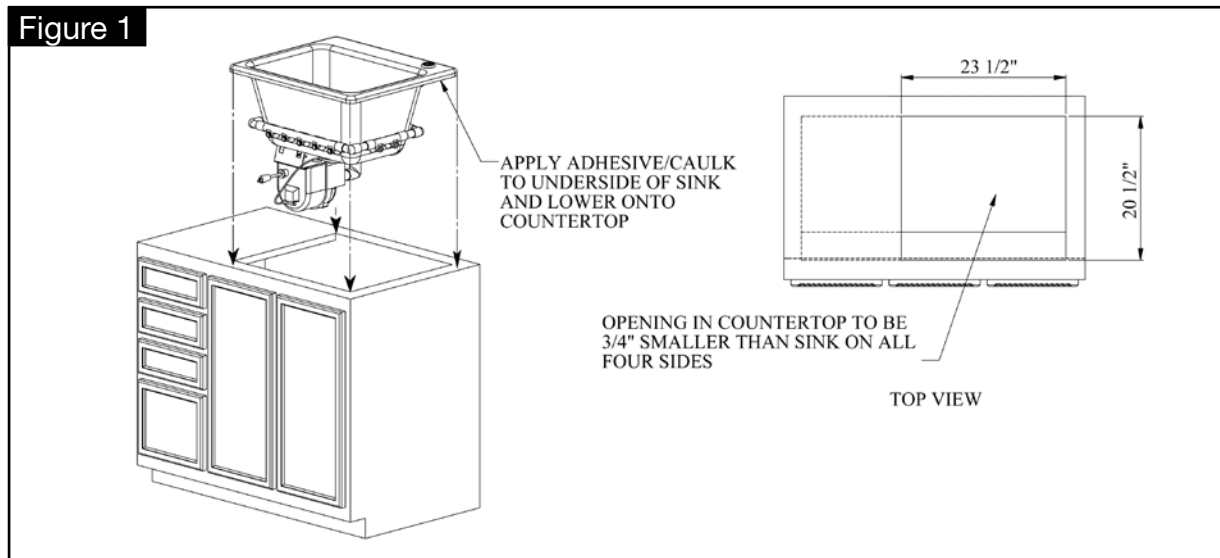
ELECTRICAL SPECIFICATIONS

This unit requires one dedicated circuit protected by a Ground Fault Circuit Interrupter (GFCI). Rough-in the wiring to the blower on a dedicated 120V, 15 amp, and standard outlet with a GFCI protected circuit.

WARNING: ALL ELECTRICAL CONNECTIONS SHOULD BE MADE BY A LICENSED, LOCALLY CERTIFIED ELECTRICIAN, IN ACCORDANCE WITH THE REQUIREMENTS OF THE NATIONAL ELECTRICAL CODES AND PROCEDURES.

WARNING: WHEN USING ELECTRICAL PRODUCTS, PRECAUTIONS SHOULD ALWAYS BE FOLLOWED.

DANGER: RISK OF ELECTRIC SHOCK! GFCIs are not supplied; however we do specify their use. All known code authorities require GFCIs.



DRILLING HOLES FOR FAUCET HARDWARE

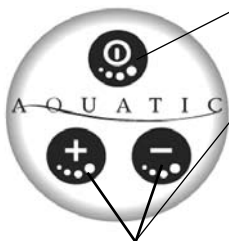
After selecting a faucet system for your Delicaire sink, you will need to follow the instructions below to install the faucet and hardware.

Tools Needed: Hole saw (cutter), *refer to faucet requirements for correct size*; felt tip marking pen; drill; correct size wrench(s) for tightening faucet hardware; and Teflon plumbers tape.

1. Before drilling the hole(s), check the position of the faucet to ensure that it will not interfere with the sink or its plumbing.
2. Using the template that came with the faucet, use a felt tip pen and mark the center of the hole location(s) to be drilled.
3. Check the faucet instructions for the proper size hole cutter to be used. Using the hole cutter, drill the hole(s) from the outside (acrylic side) of the sink. Care should be taken to prevent the drill from slipping. Always point the drill away from the body when drilling holes. Never drill towards your body.
4. Do not push down too hard on the drill; let the bit do the cutting. Be careful not to over heat the acrylic surface with the drill bit.
5. Test fit the faucet in place, tighten the hardware making sure not to over tighten the retaining nut(s) that hold the faucet to the sink to prevent the acrylic material from being damaged. Teflon tape may be used on threaded fittings.
6. Install any remaining plumbing and hardware to the sink.

OPERATING INSTRUCTIONS

DELICAIR I



On/Off Button: The blower can be turned on or off by pressing this button. Press the button once and the blower will turn on. Press the button again and the blower will turn off.

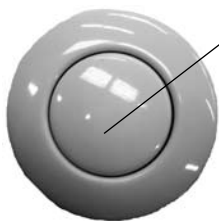
Blower Speed Adjustment: Once the blower is on, the blower is now in adjustable mode. The blower starts on high speed. To lower the speed, press the minus (-) button. To increase the speed, press the plus (+) button.

Blower Pulse Mode: Once the blower is on, press both the plus button and the minus button simultaneously. The blower speeds will alternate from slow to fast. To return to constant speed, press either the plus or minus button once.

Blower Purge Cycle: 30 minutes after the blower has turned off, the purge cycle will run automatically for 5 minutes.

Blower Internal Timer: Once the blower has been turned on, the 30 minute timer will start. At the end of 30 minutes, the blower will automatically turn off.

DELICAIR II



On/Off Air Button: The blower can be turned on or off by pressing this button. Press the button once and the blower will turn on. Press the button again and the blower will turn off.

Manual Purge: After the wash has completed and you have drained the sink, turn on the blower for 30 seconds. This procedure will need to be performed after each use of the sink. This will purge the remaining water from the system.

USER INFORMATION

We recommend you use a very small amount of delicate washing detergent. Start with only a few drops and add more as necessary. Be advised that some washing detergents foam excessively when agitated. Exercise moderation in experimenting with different soap products.

No servicing of this product should be done by the user. There are no user serviceable parts. These are the only controls that should be used by the consumer. Do not change or alter any of these controls under any circumstances.

Motors are self-lubricating -- No lubrication required.

FCC CONSUMER INFORMATION

Electrical installation information listed on page 7.

This equipment generates and uses radio frequency energy and if not installed and used properly, that is, in strict accordance with the manufacturers instruction, may cause interference to radio and television reception. It has been type tested and found to comply with the limits for a class B computing device in accordance with the specifications in subpart J of part 15 of the FCC rules, which are designed to provide reasonable protection against such interference in a residential installation. However, there is no guarantee that interference will not occur in a particular installation. If this equipment does cause interference, which can be determined by turning the equipment on and off, the user is encouraged to try to correct the interference by one or more of the following measures:

- Reorient the receiving antenna
- Relocate the receiver with respect to the sink.
- Move the receiver away from the sink.
- Plug the receiver into a different outlet so that the receiver and bath are on different branch circuits.
- If necessary, the user should consult the dealer or an experienced radio/television technician for additional suggestions.
- The user may find the following booklet prepared by the Federal Communications Commission helpful: "How To Identify and Resolve Radio-TV Interference Problems."

This booklet is available from the U.S. Government Printing Office, Washington, DC 20402, Stock No., 004-000-00345-4.

Model Number & Serial Number Location

The sink model and serial number are located on the frontside underneath the sink.

Your installer should have a service access panel in this location. Look for a label which resembles the one on the right.

AQUATIC 	
LEANDER, TEXAS	
MODEL #	_____
SERIAL #	_____
MFG DATE	_____
Meets UL 1951 standard IAPMO IGC 171 standard ANSI Z124.6 standard	
DANGER: RISK OF ELECTRICAL SHOCK. Connect only to a circuit that is protected by a ground-fault circuit-interrupter (GFCI).	
ELECTRICAL RATING: 120V/20A/60HZ #12/3 AWG Reference UL file: E302209	
	

MAINTENANCE AND CARE

CAUTION: Care should be taken to prevent inappropriate chemicals from coming in contact with the acrylic surface. Please read and observe all instructions and/or warnings on containers of substances you may use on your Delicair sink. Any failure to comply may void your warranty.

CLEANING:

Before the Delicair sink is used, the Delicair sink system should be cleaned and disinfected. Remove all debris and clean Delicair sink before putting into service. In addition to the initial cleaning, you should follow these cleaning procedures on a monthly basis.

DO NOT USE ABRASIVE CLEANERS ON THE ACRYLIC FINISH.

1. In addition to the initial cleaning, the following cleaning should be completed on a **monthly basis**.
2. Fill the Delicair sink with HOT water to a level at least 4" above the highest air jet.
3. Add 2 teaspoons of low-sudsing automatic dishwashing detergent.
4. Operate the Delicair sink for 10 minutes on high speed.
5. Drain.
6. Refill with cold water, rinse and drain.
7. Fill with water.
8. Add 1 ounce of bleach.
9. Operate for 5 minutes then let stand for 30 minutes.
10. Drain.
11. Refill, rinse and drain.

Depending on the usage and/or the content of the local water supply, more frequent cleaning may be necessary.

SURFACE CLEANING:

Use common household, non-abrasive cleaners for most cleaning jobs. Rinse well and dry with a clean soft cloth. Never use abrasive cleaners. Do not allow your acrylic surface to come into contact with products such as acetone (nail polish remover), nail polish, dry cleaning solution, lacquer thinners, gasoline, pine oil, etc. Remove dust with a soft, dry cloth. Clean grease, oil, paint, and ink stains with isopropyl (rubbing) alcohol.

SURFACE SCRATCH REMOVAL:

Minor scratches may be removed by polishing your Delicair sink with a non-abrasive car polish, followed by buffing.

Deeper scratches can be removed by:

- Sanding with wet 400 grit sandpaper.
- Sanding with wet 600 grit sandpaper.
- Sanding with wet micro-grit sandpaper.
- Buff out using car polish.

REPAIR:

Only a qualified service technician should perform the service of your Delicair sink. Remember when contacting your dealer always have your serial number; proof of purchase and model number available. This will ensure a quick response on warranty items.

FOR SERVICE, ALWAYS CONTACT YOUR AQUATIC DISTRIBUTOR.

REPLACEMENT PARTS ORDER FORM

FOR DELICAIR LAUNDRY BASIN

How To Use:

1. Find your part on the map and make note of its number and letter.
2. Using map number, choose part number and select color or finish (if applicable) on parts list provided on page 12.
3. Fill out the form below with the selected information. Fax or send to Aquatic.
4. Call Aquatic for parts pricing and shipping charges.

IMPORTANT!

The following information **MUST** accompany your order:
 Serial Number, Model Number/Name, Purchase Date and Color (White or Biscuit)

PLEASE FILL OUT COMPLETELY:

SHIP TO:

Name _____
 Company _____
 Address _____
 City _____ State _____ Zip _____
 Phone _____ Fax _____

BILL TO:

Name _____
 Company _____
 Address _____
 City _____ State _____ Zip _____
 Phone _____ Fax _____

Serial # (Invoice #) _____ Model Name _____
 Model # _____ Color _____ Purchase Date _____

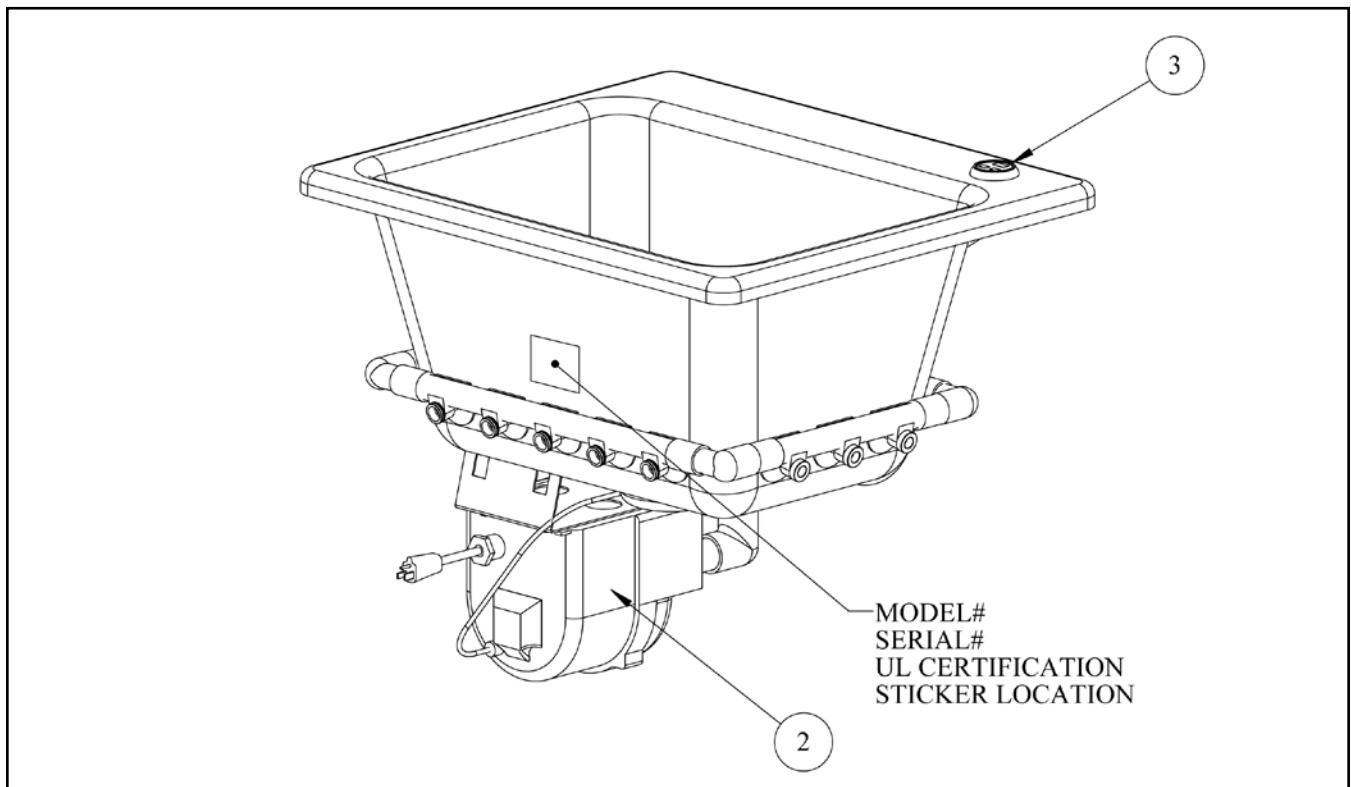
Quantity	Part No.	Description	Color/Finish	Price
_____	_____	_____	_____	_____
_____	_____	_____	_____	_____
_____	_____	_____	_____	_____
_____	_____	_____	_____	_____
_____	_____	_____	_____	_____
_____	_____	_____	_____	_____

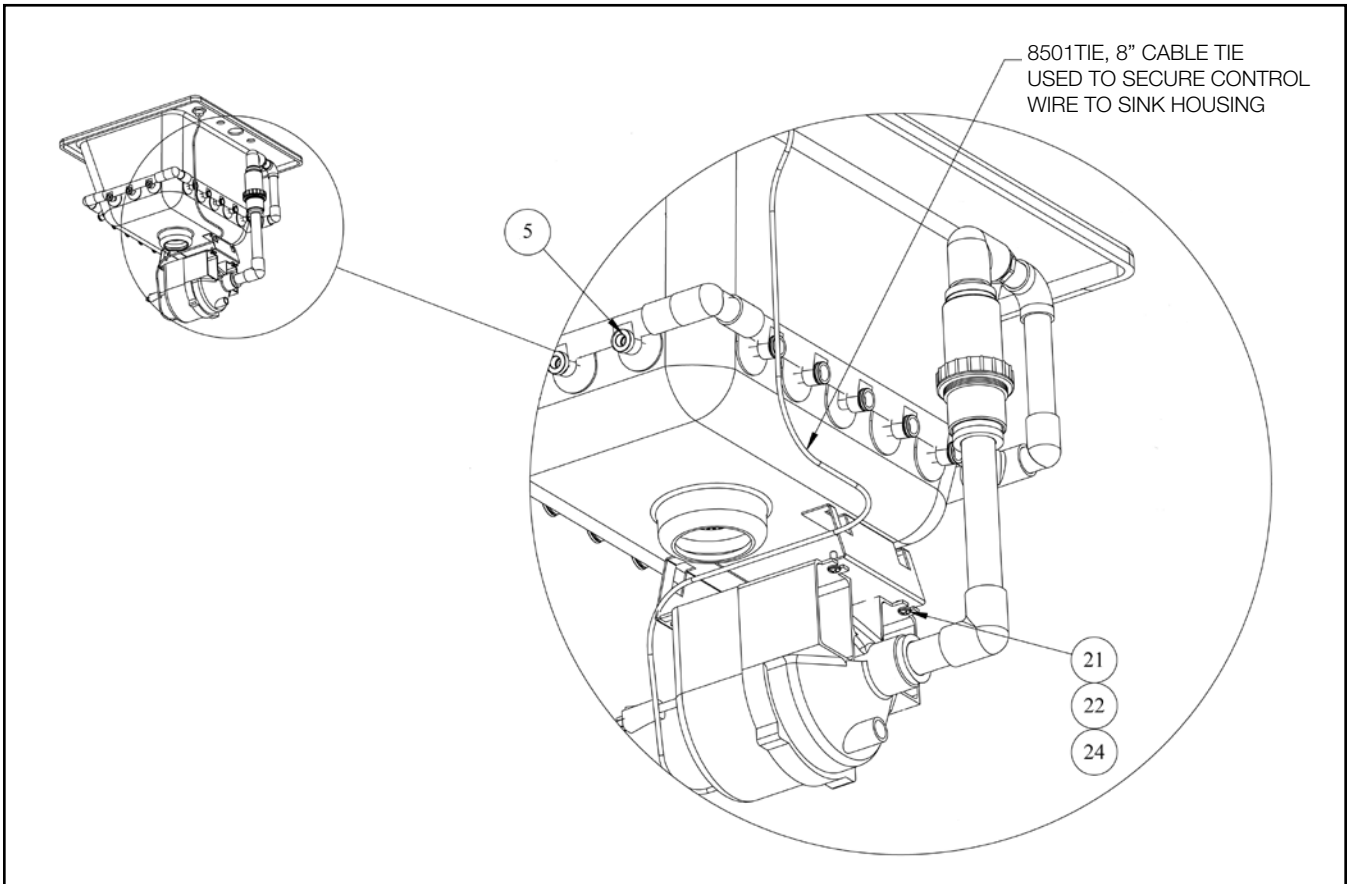
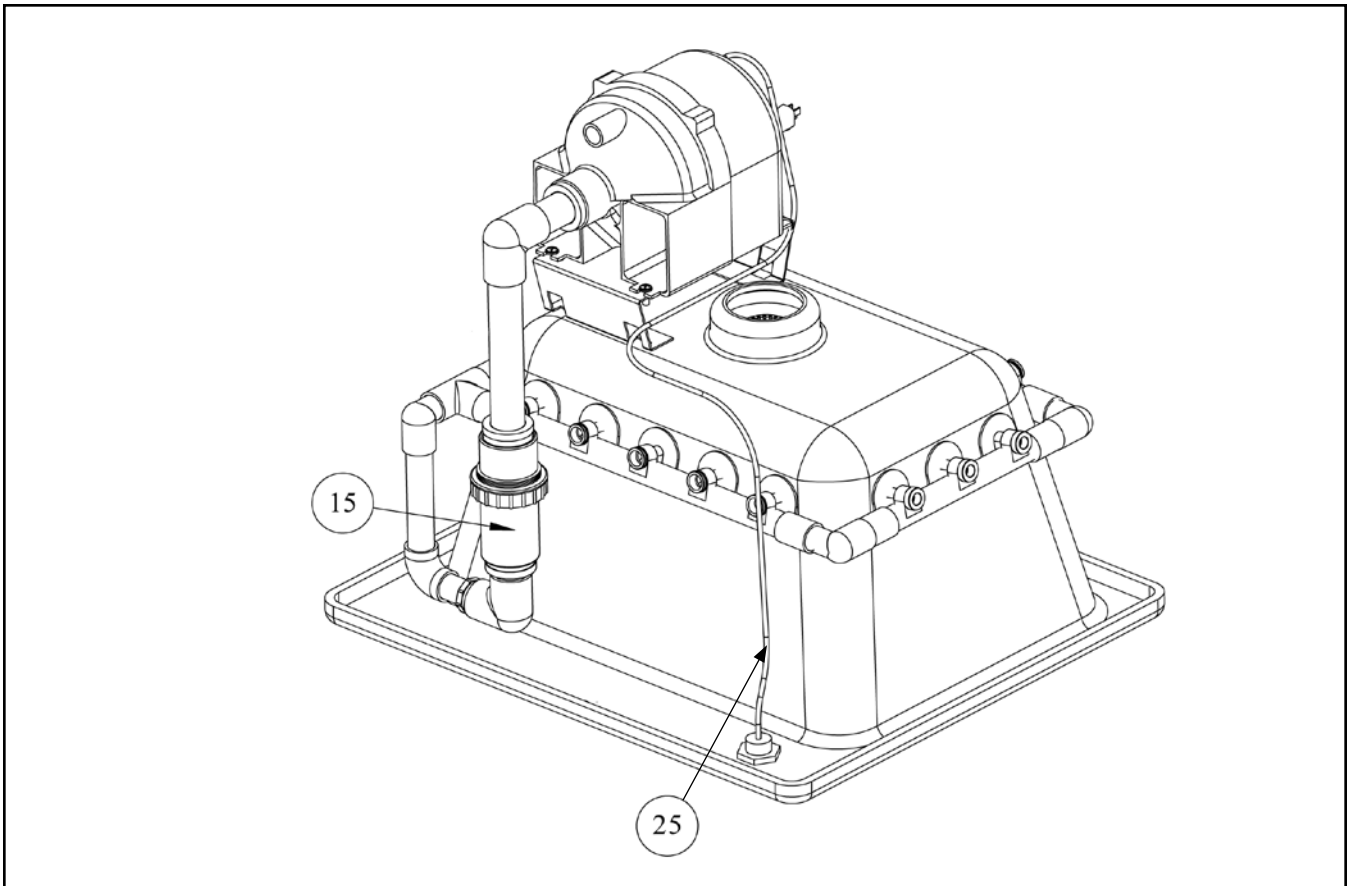
Mail orders to:

AQUATIC INDUSTRIES, INC.
 P.O. Box 889 • Leander, TX 78646-0889
 Phone (800) 555-5324 • Fax (800) 421-3633

PARTS LIST AND MAPS

ITEM	DESCRIPTION	PART NUMBER
2	AIR CONTROL BLOWER, DELICAIR I	8100BLW
2	AIR CONTROL BLOWER, DELICAIR II	8150BLW
3	TOUCH PAD (COMES WITH BLOWER), DELICAIR I	COMES WITH BLOWER (NO PART #)
3	ON/OFF AIR BUTTON, DELICAIR II	8115BODY, 8115BUTTNxx
5	CLOSURE CAPS	8100CCAP
15	1-1/2" UNION CHECK VALVE	8427FTG
21	1/4" FLAT WASHER	8504WASHER
22	1/4-20 X 1.0" PHIL PAN HEAD SCREW	8501SCREW
24	LOCK WASHER	8517WASHER
25	VINYL TUBING, DELICAIR II	8000TUBE







Aquatic Industries, Inc. Limited Warranty

For Delicair Laundry Basin

Limited Warranty For Original Consumer For Household Usage

WHAT PRODUCTS ARE COVERED

Structures and surface finishes on Delicair Laundry Basin and support equipment, components, attachments, controls and plumbing equipment. Different warranty periods apply to specific components.

Warranty Periods for Specific Components

10 YEAR STRUCTURAL WARRANTY FOR DELICAIR LAUNDRY BASIN / SHELL

Aquatic Industries, Inc. extends to the original consumer purchaser of the acrylic Delicair Laundry Basin a limited warranty that the shell will retain its structural integrity and configuration and be free of water loss due to a defect in the shell for a period of 10 years from the date of purchase, but never more than 11 years from date of manufacture. This limited structural warranty does not apply to attachments to the acrylic shell such as plumbing, fittings and other apparatus; these pieces are covered below in a 2 Year Warranty.

10 YEAR SURFACE WARRANTY FOR FACE OF DELICAIR LAUNDRY BASIN

The interior surface/face of the Delicair Laundry Basin is warranted against fading, blistering, cracking and delamination due to defects in the surface materials for a period of 10 years from the date of purchase, but never more than 11 years from date of manufacture. This surface warranty extends to defects due to surface material mixing or molding. This surface warranty does not apply to *fading, cracking, delamination or blistering due to excessive wear, sun fading or scouring due to cleaning.*

2 YEAR EQUIPMENT WARRANTY FOR SUPPORT EQUIPMENT, COMPONENTS, CONTROLS & PLUMBING EQUIPMENT

All support equipment, components, controls and plumbing equipment on the Delicair Laundry Basin are warranted for 2 years from date of purchase, but not more than 3 years from date of manufacture, against defects in workmanship and materials. Pump seals are not included in this two-year period, however, they are warranted to be free from defects in materials and workmanship at the time of delivery to the original purchaser. Limited labor is covered for 2 years from purchase, but never more than 3 years from date of manufacture, for limited labor on the support equipment, controls, or plumbing.

EXCLUSIVE REMEDY

Aquatic Industries, Inc. will, **at its option**, repair or replace (without removal or installation) the affected components of any defective Unit or System; repair or replace (without removal or installation) the entire defective Unit or System; or refund the then-current list price of the Delicair Laundry Basin. In all cases, a reasonable time period must be allowed for warranty repairs to be completed.

WHAT YOU MUST DO

In order to make a claim under these warranties:

1. You must be the original consumer purchaser of the Delicair Laundry Basin.
2. You must promptly notify us within the warranty period of any defect and provide us with any substantiation that we may reasonably request.
Write to: Aquatic Industries, Inc. P.O. Box 889 Leander, TX 78646.
3. The Delicair Laundry Basin must have been installed and maintained in accordance with good industry practice and the specific Aquatic Industries, Inc. directions contained in the Owner's Manual and Installation Guide.

EXCLUSIONS

These warranties do not extend to or do not cover defects caused by:

1. Shipping damage by carriers or installation errors.
2. Accident, acts of God, abuse or misuse.
3. Unreasonable use (including any use for non-working purposes or failure to provide reasonable and necessary maintenance as specified in Aquatic Industries, Inc. Owner's Manual and Installation Guide supplied with the Delicair Laundry Basin).
4. Any alteration, customization, or modification of the Delicair Laundry Basin or its components.

LIMITATIONS

1. **AQUATIC INDUSTRIES, INC. Delicair Laundry Basin sold for industrial, commercial or hotel use** is warranted for 1 year, but not more than 2 years from date of manufacture, with a limited warranty that the shell will retain its structural integrity and configuration and be free of water loss due to a defect in the interior surface/face of the Delicair Laundry Basin is warranted against fading, blistering, cracking and delamination due to defects in the surface materials. All support equipment, components, controls and plumbing equipment and limited labor on the support equipment, controls, or plumbing are warranted for 1 year, but not more than 2 years from date of manufacture. Pump seals are not included in this 2 year period, however, they are warranted to be free from defects in materials and workmanship at the time of delivery to the original purchaser.
2. **In all cases, AQUATIC INDUSTRIES, INC. reserves the right to fully satisfy its obligations under the Limited Warranties by refunding the then-current list price of the defective Delicair Laundry Basin (or, if the Delicair Laundry Basin has been discontinued, of the most nearly comparable current product).**
3. **AQUATIC INDUSTRIES, INC. reserves the right to furnish a substitute or replacement component or product in the event a Delicair Laundry Basin or any component of these products is discontinued or otherwise unavailable.**
4. **THESE WARRANTIES ARE NON-TRANSFERABLE TO ANY OTHER PURCHASER OR PARTY OTHER THAN THE ORIGINAL CONSUMER. NO OTHER AGENT OR PARTY CAN GIVE ANY OTHER WARRANTY OR PROMISE. THIS IS THE SOLE WARRANTY FOR YOUR AQUATIC INDUSTRIES, INC. PRODUCT.**
5. **AQUATIC INDUSTRIES, INC. will not cover any installation or reinstallation costs related to this warranty, except under the limited labor allowance under the 2 Year Equipment Warranty above.**

GENERAL

This warranty gives you specific legal rights; you may also have other rights, which vary from state to state. THE DURATION OF ANY IMPLIED WARRANTIES, INCLUDING THE IMPLIED WARRANTIES OF MERCHANTABILITY AND FITNESS FOR A PARTICULAR PURPOSE, ARE LIMITED TO THE DURATION OF THE EXPRESS WARRANTIES HEREIN. AQUATIC INDUSTRIES, INC. EXPRESSLY EXCLUDES INCIDENTAL AND CONSEQUENTIAL DAMAGES, TO INCLUDE LOSS OF TIME, INCONVENIENCE, OR LOSS OF USE OF RESIDENCE, FOR ANY BREACH OF THE EXPRESS OR IMPLIED WARRANTY, INCLUDING THE IMPLIED WARRANTIES OF MERCHANTABILITY OR FITNESS FOR A PARTICULAR PURPOSE.

SOME STATES DO NOT ALLOW ANY LIMITATION ON HOW LONG AN IMPLIED WARRANTY LASTS, OR THE EXCLUSION OR LIMITATION OF INCIDENTAL OR CONSEQUENTIAL DAMAGES; SO THE ABOVE EXCLUSION MAY NOT APPLY TO YOU.

AQUATIC

Real Luxury for Real Life®.

AQUATIC INDUSTRIES, INC.
Fax-On-Demand System: Toll Free (877) 618-7024
11880 RR 2243 W Leander, Texas 78641
(800) 928-3707 Fax: (888) 296-7450
www.aquaticwhirlpools.com

DOM5 3/08

Free Manuals Download Website

<http://myh66.com>

<http://usermanuals.us>

<http://www.somanuals.com>

<http://www.4manuals.cc>

<http://www.manual-lib.com>

<http://www.404manual.com>

<http://www.luxmanual.com>

<http://aubethermostatmanual.com>

Golf course search by state

<http://golfingnear.com>

Email search by domain

<http://emailbydomain.com>

Auto manuals search

<http://auto.somanuals.com>

TV manuals search

<http://tv.somanuals.com>