

HD7950-DC2-3GD5-V2

Feel the Power of the 28nm GPU with fantastic ASUS design!

ASUS Exclusive Innovations

- **20% Cooler** with exclusive **DirectCU II**



- **ASUS GPU Tweak Utility**

Real-time and intuitive tweaking

- ✓ Sync GPU clocks and voltages for easier overclocking
- ✓ Automatically check and update driver and BIOS versions
- ✓ Monitoring widget provides detailed multi-parameter info
- ✓ Get detailed specs and actual card status with GPU-Z
- ✓ 2D/3D switcher can lock the card in 3D for higher benchmarks



- **Acclaimed DIGI+ VRM** with **12-phase Super Alloy Power** technology Delivers precise Digital Power and Enhance Durability for **stable overclocking**



ASUS Exclusive Innovations



● **GPU Tweak:**

GPU Tweak co-developed with the most authoritative GPUZ to provide the most accurate information



● **Gigantic 3GB GDDR5 Memory:**

On-board memory for the best gaming experience & the best resolution

Graphics GPU Feature



Radeon™ HD 7950



● **28nm GPU:**

Less power consumption & more efficient transistor



● **PCI 3.0**

Delivers double the bandwidth per lane of PCIe Gen 2 for faster GPU – CPU communication



● **Microsoft® DirectX® 11 Support:**

Bring new levels of visual realism to gaming on the PC and get top-notch performance



● **AMD Eyefinity Technology:**

Extend the View across 6 Displays to immerse yourself in gameplay and entertainment



● **CrossFire X Support:**

Multi-GPU technology for extreme performance



● **AMDD3D™ Technology**

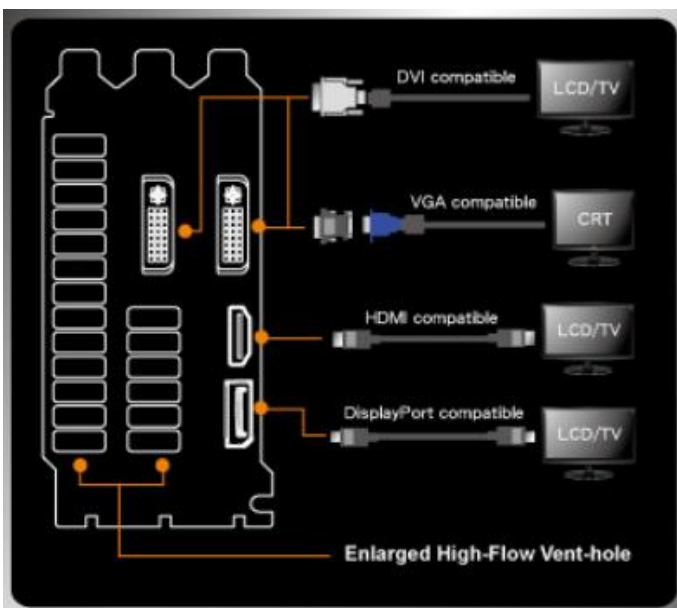
Optimize stereoscopic 3D gaming and movie-watching entertainment



● **Microsoft® Windows® 7 Support:**

Enable PC users to enjoy an advanced computing experience and to do more with their PC

I/O Specifications



Hardware Specification

Model	HD7950-DC2-3GD5-V2
Graphics Engine	AMD Radeon™ HD 7950
Bus Standard	PCI Express® 3.0
OpenGL	OpenGL® 4.2
Video Memory	3072MB GDDR5
Engine Clock	800 MHz
Stream Processors	1792
Memory Clock	5000MHz (1250MHz GDDR5)
Memory Interface	384 bit
RAMDAC	400MHz
DVI Max. Resolution	2560 * 1600
D-Sub Max. Resolution	2048 * 1536
DVI Output	1x Native Dual-link DVI-I 1x Native Dual-link DVI-D
HDMI Output	1x Native
HDCP compliant	YES
DisplayPort	1x Native DisplayPort
Adapter/Cable Bundled	1x CrossFire Bridge 1X Power Cable
Software Bundled	ASUS Utilities & Driver GPU Tweak
Dimension	The card size is 11 x 5.1 x 2.1 inches
Note	<ul style="list-style-type: none"> To have the best cooling performance, ASUS HD7950-DC2-3GD5-V2 extends the fansink to 2.5 slots. Please double check you Chassis and Motherboard dimension prior to purchase to make sure it fits in your system! Support for six simultaneous displays may require complementary products compatible with DisplayPort 1.2 Multi-Stream Transport.

- Specifications are subject to change without notice.
- PCB color and bundled software versions are change without notice.
- Brand and product names mentioned are trademarks of their respective company.



Free Manuals Download Website

<http://myh66.com>

<http://usermanuals.us>

<http://www.somanuals.com>

<http://www.4manuals.cc>

<http://www.manual-lib.com>

<http://www.404manual.com>

<http://www.luxmanual.com>

<http://aubethermostatmanual.com>

Golf course search by state

<http://golfingnear.com>

Email search by domain

<http://emailbydomain.com>

Auto manuals search

<http://auto.somanuals.com>

TV manuals search

<http://tv.somanuals.com>