



**ATLONA**  
**ATLONA HDMI AUDIO EXTRACTOR**  
**AT-HD570**

**USER MANUAL**





## TABLE OF CONTENTS

1. Introduction	.....	1
2. Features	.....	1
3. Package Contents	.....	1
4. Operation Controls and Functions	.....	2
4.1 Front Panel	.....	2
4.2 Rear Panel	.....	2
5. Connection and Installation	.....	3
6. Specifications	.....	3
7. Safety Information	.....	4
8. Warranty	.....	5

## 1. INTRODUCTION

This is the most advanced solution for HDMI to HDMI repeater with Audio decoder. This is compatible to HDMI v1.3 specifications, a cutting-age technology which defines to transfer Deep Color (12 bits/color) video with a high bandwidth up to 225MHz. The HDMI v1.3 Distribution Amplifier also does signal amplification and equalization output that can connected with other HDMI to HDMI units for repeater function. The audio output support uncompressed analog LPCM 7.1 and new lossless compressed digital Bitstream (Dolby TrueHD, Dolby Digital Plus and DTS-HD Master Audio) and it depend on the input sources.

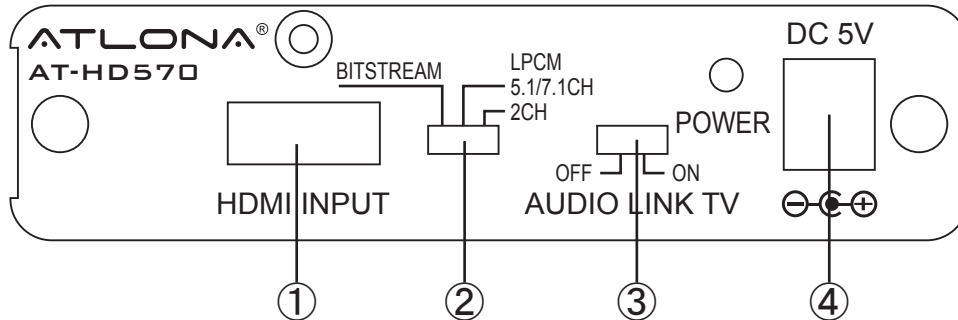
## 2. FEATURES:

- Compliant with HDMI 1.3, HDCP 1.1 and DVI1.1 standards.
- Supports digital video formats in Deep Color Mode from 25MHz to 225MHz for 36 bits (12 bits/color).
- Supports high definition input up to 1080p@(24/60)Hz, output resolution follows input.
- Supports HDMI signal amplification and equalization output for repeater function.
- Supports uncompressed digital LPCM 7.1, 5.1 or 2 channels and compressed digital Bit stream (Dolby TrueHD, Dolby Digital Plus and DTS-HD Master Audio) through HDMI input and output ports.
- Supports digital Dolby 5.1/2 and LPCM 2 channels output through optical fiber.
- Supports LPCM 7.1/5.1/2 channels output through multi-channel output ports.
- Integrated HDCP encryption for transmitting protected audio and video content.
- Support CEC bypass.
- The HDMI cable distance test with 1080p/8bits resolution, the Input/Output source can run up to 20/15 meters and 1080p/12bits the Input/Output source can run up to 15/10 meters.

## 3. PACKAGE CONTENTS:

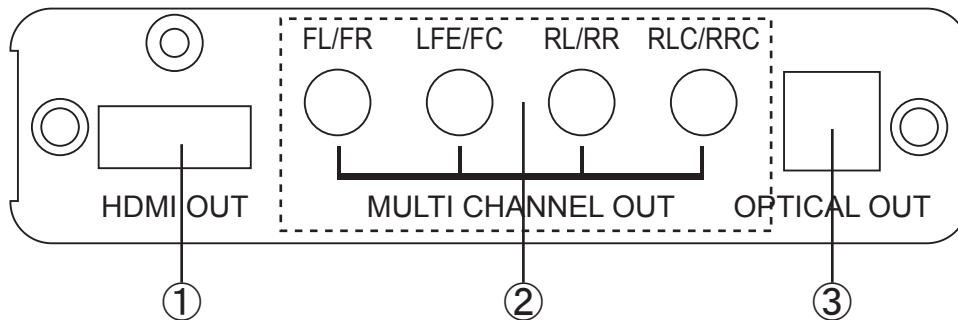
- HDMI over HDMI with Audio decoder.
- 5V DC power supply adaptor.
- Operation Manual.

### 4.1. Front Panel



1. HDMI input: Connect the HDMI input port to the HDMI output port of your source equipment such as DVD player or set-top-box.
2. Audio selection switch: To switch between Bitstream/LPCM7.1/5.1/LPCM2 channels.  
*Note: When switch to other audio mode, the display will disappear for few seconds. This is normal phenomenon for the system.*
3. Power: Plug the 5VDC power supply into the unit and connect the adaptor to AC wall outlet.
4. Audio Link TV dip switch: Set the dip switch to OFF when sending an audio signal only and do not have an HDMI display where the HD570 will be connected to.  
If sending an audio and video signal where the HDMI output of the HD570 will be connected to a display, please set the dip switch to ON.

### 4.2. Rear Panel



1. HDMI output: Connect the HDMI output port to the HDMI input port of your display.
2. Multi channel output: Connect the audio channel output to the input of your amplifier equipment and follow the amplifier connections.  
 FL: Front Left  
 FR: Front Right  
 LFE: Low Frequency Effect  
 FC: Front Center  
 RL: Rear Left  
 RR: Rear Right  
 RLC: Rear Left Center  
 RRC: Rear Right Center
3. Optical output: Connect Optical output to the display audio input or audio equipments for Dolby5.1/2 and LPCM2 channels.

## 5. CONNECTION AND INSTALLATION



## 6. SPECIFICATIONS

Input port	1 x HDMI
HDMI input audio format	LPCM 7.1, 5.1 or 2 channels and Bitstream (Dolby TrueHD, Dolby Digital Plus and DTS-HD Master Audio)
Output port	1 x HDMI
HDMI output audio format	LPCM 7.1, 5.1 or 2 channels and Bitstream (Dolby TrueHD, Dolby Digital Plus and DTS-HD Master Audio)
Multi channel output ports	4 x 3.5Φphone jack
Multi channel output audio format	LPCM 7.1/5.1/2 channels
Optical output port	1 x Optical
Optical output audio format	Dolby 5.1/2 and LPCM 2 channels
Power Supply	5V/2.6A DC (US/EU standards, CE/FCC/UL certified)
Dimensions (mm)	100(W) x 147(D) x 25(H)
Weight(g)	300
Chassis Material	Aluminum
Silk Skin Color	Black
Operating Temperature	Operating from 0°C ~ 40°C

### Safeguards

To reduce the risk of electric shock, do not expose this product to rain or moisture.

If the wall plug does not fit into your local power socket, hire an electrician to replace your obsolete socket.

Do not modify the wall plug. Doing so will void the warranty and safety features.

This equipment should be installed near the socket outlet and the device should be easily accessible in case it requires disconnection.

### Precautions

FCC Regulations state that any unauthorized changes or modifications to this equipment not expressly approved by the manufacturer could void the user's authority to operate this equipment.

Operate this product using only the included external power supply. Use of other power supplies could impair performance, damage the product or cause fires.

In the event of an electrostatic discharge, this device may automatically turn off. If this occurs, unplug the device, and plug it back in.

Protect and route power cords so they will not be stepped on or pinched by anything placed on or against them. Be especially careful of plug-ins, or cord exit points from this product.

Avoid excessive humidity, sudden temperature changes or temperature extremes.

Keep this product away from wet locations such as bathtubs, sinks, laundries, wet basements and swimming pools.

Use only accessories recommended by ATLONA to avoid fire, shock or other hazards.

Unplug the product before cleaning. Use a damp cloth for cleaning. Do not use cleaning fluid or aerosols, which could enter the unit and cause damage, fire or electrical shock. Some substances may also mar the finish of the product.

Never open or remove unit panels or make any adjustments not described in this manual. Attempting to do so could expose you to dangerous electrical shock or other hazards. It may also cause damage to your AT-HD570. Opening the product will void the warranty.

Do not attempt to service the unit. Instead disconnect it and contact your Authorized ATLONA reseller or contact ATLONA directly.

### LIMITED ONE-YEAR WARRANTY

ATLONA by Lenexpo Electronics warrants only to the initial purchaser of this product for a period of one year from the date of purchase from an Authorized ATLONA Reseller, the product will be free of electrical and mechanical defects that materially affect the products operation as described in this users manual. Within this period, ATLONA will, at it's sole option, repair or replace any components, which fail of normal use or refund the net original price.

### DISCLAIMER OF WARRANTY

ALL IMPLIED WARRANTIES OF MERCHANTABILITY OR FITNESS FOR A PARTICULAR PURPOSE ARE LIMITED TO ONE YEAR FROM PURCHASE; ALL OTHER EXPRESS OR IMPLIED CONDITIONS, REPRESENTATIONS AND WARRANTIES, INCLUDING ANY IMPLIED WARRANTY OF NON INFRINGEMENT, ARE DISCLAIMED. Some jurisdictions do not allow limitations on how long an implied warranty lasts, so the above limitation may not apply to you. This warranty gives you specific legal rights, and you may also have other rights, which vary by jurisdiction.

### LIMITATION OF LIABILITY

TO THE EXTENT NOT PROHIBITED BY LAW, IN NO EVENT WILL ATLONA OR ITS SUPPLIERS BE LIABLE FOR ANY LOST REVENUE, PROFIT OR DATA, OR FOR SPECIAL, INDIRECT, CONSEQUENTIAL, INCIDENTAL, OR PUNITIVE DAMAGES, HOWEVER CAUSED REGARDLESS OF THE THEORY OF LIABILITY, ARISING OUT OF OR RELATED TO THE USE OF OR INABILITY TO USE THE PRODUCT, EVEN IF ATLONA HAS BEEN ADVISED OF THE POSSIBILITY OF SUCH DAMAGES. IN NO EVENT ATLONA'S LIABILITY TO YOU, WHETHER IN CONTRACT, TORT (INCLUDING NEGLIGENCE), OR OTHERWISE, EXCEED THE AMOUNT PAID BY YOU FOR THE PRODUCT. The foregoing limitations will apply even if any warranty or remedy provided to you fails its essential purpose. Some jurisdictions do not allow the exclusion or limitation of incidental or consequential damages, so the above limitation of or exclusion may not apply to you.

### Disclaimer

This document is provided for technical information for the user. It does not create any warranty with respect to the product, and does not modify or enhance the terms of the warranty that may accompany this product.

ATLONA reserves the right to modify the information in this document as necessary.

ATLONA holds no responsibility for any errors that may appear in this document. Customers should take appropriate action to ensure their use of the product does not infringe upon any patents. ATLONA respects valid patent rights of third parties.

Trademarks and Copyrights All other product names or marks referenced herein are trademarks or registered trademarks of their respective owners.



ATLONA  
2151 O'toole Ave, Ste D  
San Jose CA 95131  
Toll Free: 1-877-536-3976  
International: 408-954-8782  
FAX: 408-954-8792  
Website: [www.atlona.com](http://www.atlona.com)  
E-MAIL: [info@atlona.com](mailto:info@atlona.com)



## Free Manuals Download Website

<http://myh66.com>

<http://usermanuals.us>

<http://www.somanuals.com>

<http://www.4manuals.cc>

<http://www.manual-lib.com>

<http://www.404manual.com>

<http://www.luxmanual.com>

<http://aubethermostatmanual.com>

Golf course search by state

<http://golfingnear.com>

Email search by domain

<http://emailbydomain.com>

Auto manuals search

<http://auto.somanuals.com>

TV manuals search

<http://tv.somanuals.com>