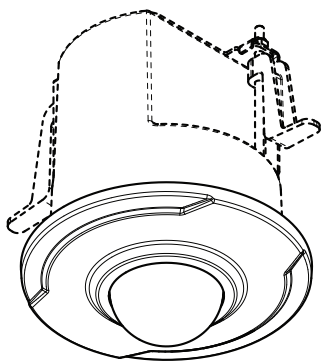
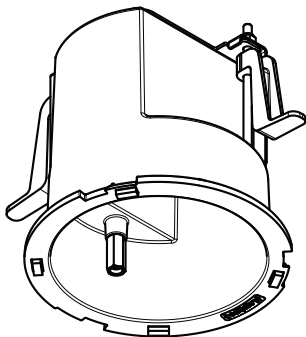


# INSTALLATION GUIDE

## AXIS T94B01L Recessed Mount





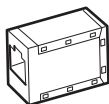
1x



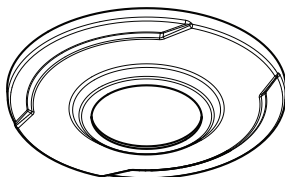
2x



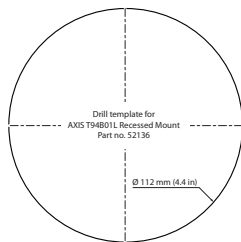
2x



1x

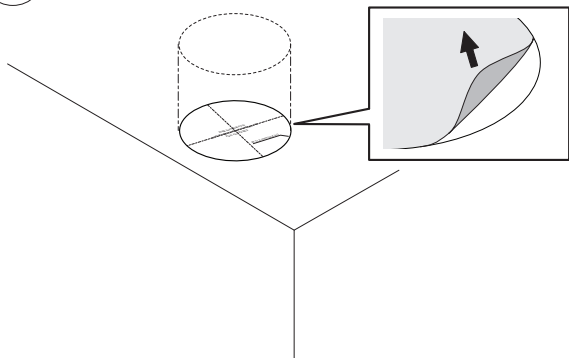


1x

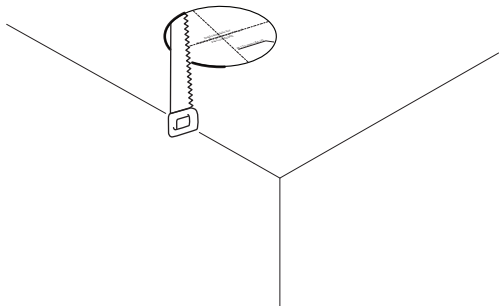


1x

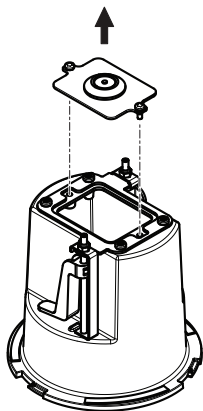
1



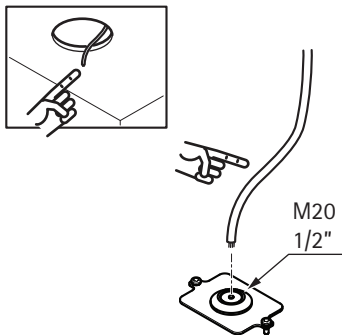
2



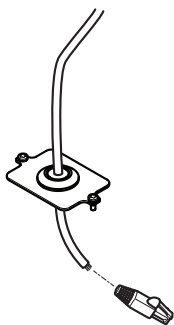
3



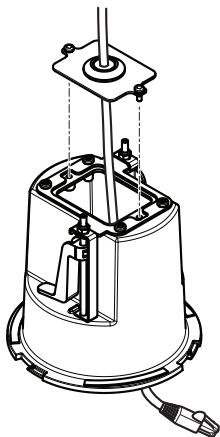
4



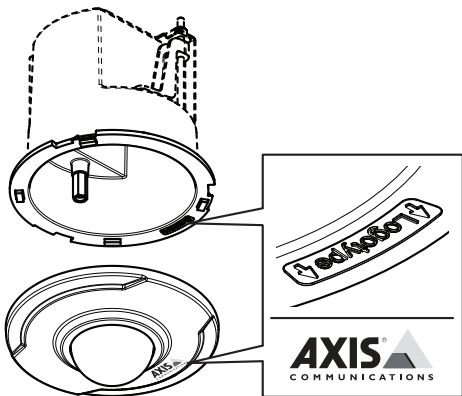
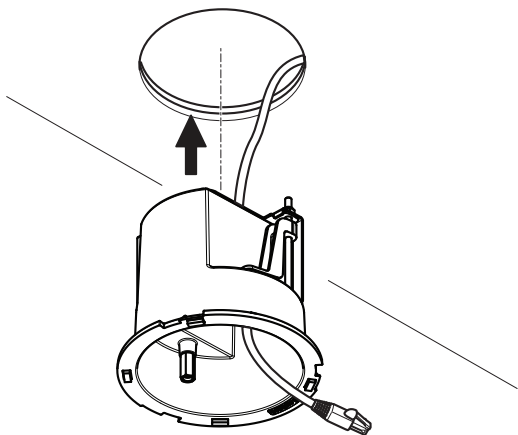
5



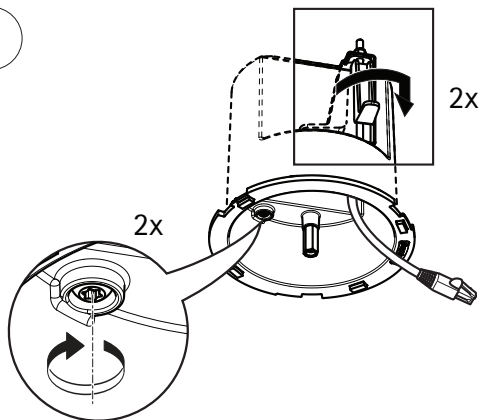
6



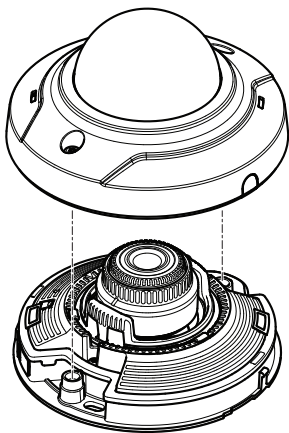
7



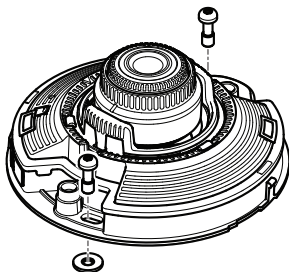
8



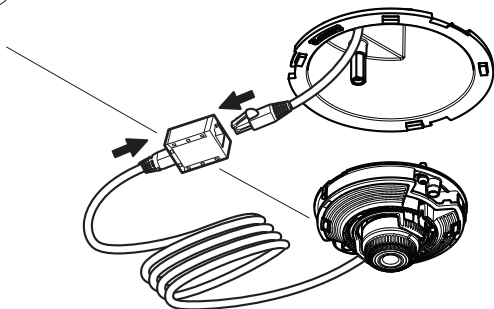
9



10

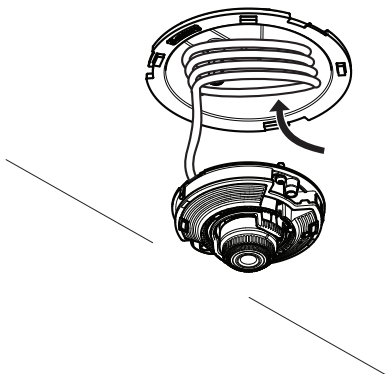


11

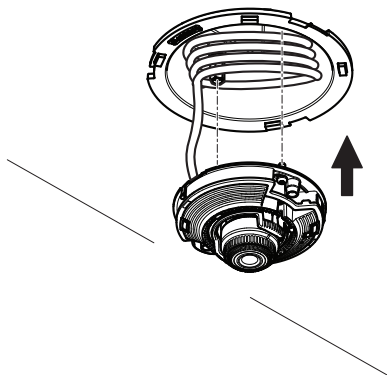




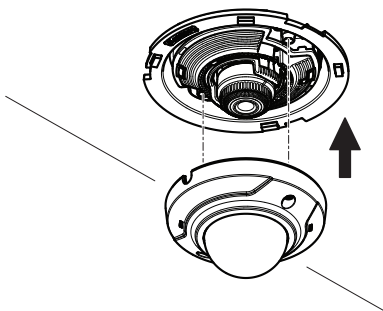
12



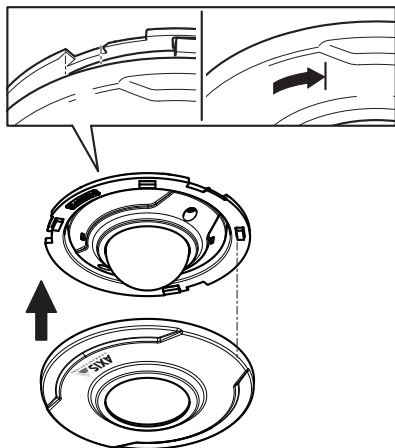
13



14



15





Installation Guide

Ver.1.0

AXIS T94B01L Recessed Mount

Printed: June 2013

© Axis Communications AB, 2013

Part No. 51263

## Free Manuals Download Website

<http://myh66.com>

<http://usermanuals.us>

<http://www.somanuals.com>

<http://www.4manuals.cc>

<http://www.manual-lib.com>

<http://www.404manual.com>

<http://www.luxmanual.com>

<http://aubethermostatmanual.com>

Golf course search by state

<http://golfingnear.com>

Email search by domain

<http://emailbydomain.com>

Auto manuals search

<http://auto.somanuals.com>

TV manuals search

<http://tv.somanuals.com>