

## Product Features

- Lever handle with ceramic cartridge
- Single hole installation
- Stainless steel
- Swivel bidet aerator
- 2.2 gpm
- Includes pop-up drain

## Code Compliance

This unit meets or exceeds the following:

- ASME A112.18.1
- CSA B125.1
- Listed by IAPMO
- ADA compliant
- Approved for use in Massachusetts

## Available Finishes

Steel

35202801

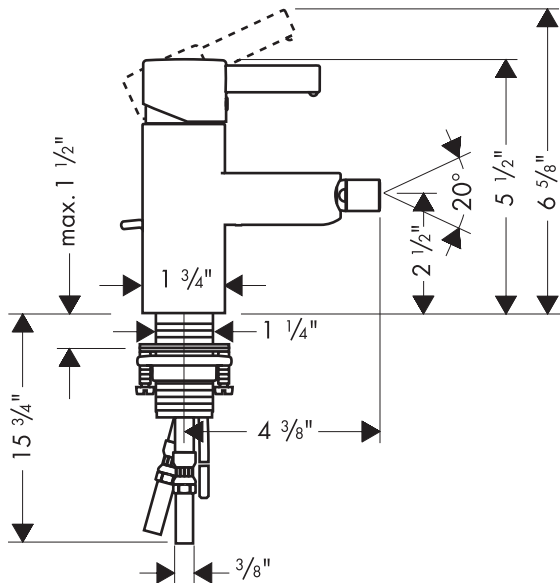
## Optional Accessories

6" baseplate

14018801

## Installation Notes

- 3/8" Supply hoses – requires 3/8" compression fittings



The measurements shown are for reference only.

Products and specifications shown are subject to change without notice.

Specification sheet revised 2/2008

## Free Manuals Download Website

<http://myh66.com>

<http://usermanuals.us>

<http://www.somanuals.com>

<http://www.4manuals.cc>

<http://www.manual-lib.com>

<http://www.404manual.com>

<http://www.luxmanual.com>

<http://aubethermostatmanual.com>

Golf course search by state

<http://golfingnear.com>

Email search by domain

<http://emailbydomain.com>

Auto manuals search

<http://auto.somanuals.com>

TV manuals search

<http://tv.somanuals.com>