

# FlexIR

## BEA's Microcell Beam Break Away Solution!



\*PATENT PENDING

**NEMA 4**  
ACCESSORY AVAILABLE

*The FlexIR is a flexible mounting bracket that prevents BEA's Microcell infrared beam system from damage when installed away from the door jamb surface!*

Perfect for industrial door and residential garage door applications!

**Quality, Intelligence, Precision**

- The FlexIR is BEA's flexible mounting bracket that prevents BEA's Microcell beam system from damage when installed in industrial or residential garage door applications. The FlexIR is highly resistant to damage caused by a vehicle or a heavy object.
- UV-resistant, flexible material prevents damage to the Microcell beam heads, thus optimizing the safety and reliability of the application.
- If hit, the FlexIR will bend and flex back then resetting the Microcell heads to their original position, thus preventing unnecessary service calls.
- The bracket can be installed parallel or perpendicular to the mounting surface thus allowing optimal flexibility for different types of applications.
- The FlexIR is only compatible with BEA's Microcell system.
- NEMA 4 accessory available for environments exposed to wet conditions.

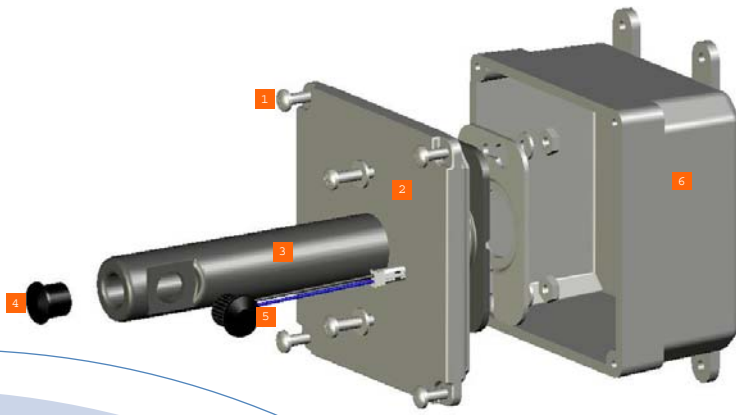
[www.beasensors.com](http://www.beasensors.com)

A  
HALMA GROUP  
COMPANY

VISION 4 SAFER DOORS

**BEA**  
We open up New Horizons

Download from [Www.Somanuals.com](http://Www.Somanuals.com). All Manuals Search And Download.



## Flex IR Components

- 1 Phillips Head Screw (6)
- 2 Mounting Box
- 3 Flexible Beam Holder
- 4 Button Plug
- 5 Microcell Beam
- 6 NEMA 4 Accessory

## FlexIR Technical Specifications

### Materials:

<b>Flexible Beam Holder</b>	Silicone
<b>Mounting Bracket</b>	Galvanized Steel
<b>Button Plug</b>	ABS and Lexan
<b>Screws</b>	18/8 Stainless Steel

### Dimensions:

<b>Overall Length</b>	6" (150 mm)
<b>Width (of Bracket)</b>	1 3/4" (45 mm)
<b>Height (of Bracket)</b>	2 3/4" (70 mm)

<b>Installation Height</b>	See Mechanical Installation Instructions in User's Guide
----------------------------	---

<b>Operating Temperature</b>	-30° to + 131° F
------------------------------	------------------

### Bracket when used with Microcell (sold separately)

<b>Minimum Distance between pairs of beams</b>	12" (beams must not be crossed)
--	---------------------------------

### Range of Detection

<b>Minimum</b>	3' (1 m)
<b>Maximum</b>	16.5' (5m) if mounted 8" (0.2m) above ground
	33' (10m) if mounted 16" (0.4m) above ground

<b>Minimum Distance from Plane of Door</b>	1" (25.4 mm)
--	--------------

<b>Alignment Tolerance</b>	8°
----------------------------	----

## Contact Information

**BEA Inc.**  
RIDC Park West  
100 Enterprise Drive  
Pittsburgh PA, 15275  
Phone +1.412.249.4100  
Fax +1.412.249.4101  
Toll Free 1-800.523.2462

**BEA West**  
2401 Pine Street  
Los Angeles, CA 91767  
Phone +1.909.596.3011  
Fax +1.909.596.5411  
Toll Free 1-877.232.9378

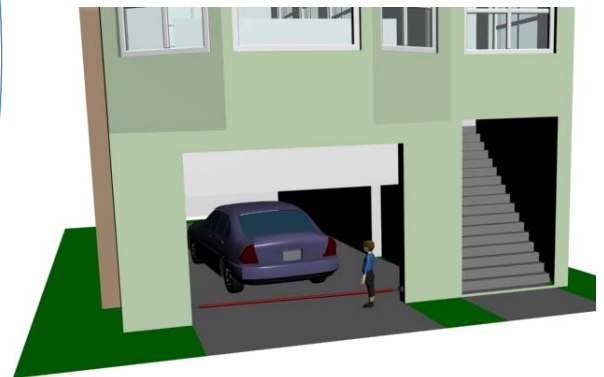


SBK30 LO Linx

## Applications



- Flex IR protects the microcell against blunt hits from tractor trailers, forklifts, or heavy objects in the industrial setting.



- Flex IR with Microcell provides safety across garage door openings to help prevent injuries from a closing garage door. The Flex IR protects the microcell from getting hit by cars or other heavy objects.

## Free Manuals Download Website

<http://myh66.com>

<http://usermanuals.us>

<http://www.somanuals.com>

<http://www.4manuals.cc>

<http://www.manual-lib.com>

<http://www.404manual.com>

<http://www.luxmanual.com>

<http://aubethermostatmanual.com>

Golf course search by state

<http://golfingnear.com>

Email search by domain

<http://emailbydomain.com>

Auto manuals search

<http://auto.somanuals.com>

TV manuals search

<http://tv.somanuals.com>