



Cyclone

SERIES

COUNTER TOP ELECTRIC CONVECTION OVEN



Model BP-200

SPECIFICATIONS

Half-size electric, forced air, single convection type oven. Standard specifications include 3.2 KW per cavity with two high-speed fans and dual fan motors.

A 120-minute timer with alarm which controls the heating elements, oven lights and convection fans or continuous-run setting without timer.

The oven interior features easy-to-clean cove corners and measures 21" wide (533mm) by 14 1/2" high (368mm) by 13 1/2" deep (343mm). The cooking chamber is stainless steel with removable 11-position rack guides with 1" spacing (25mm) and 4 heavy-duty adjustable chrome-plated racks.

The oven exterior measures 27" wide (686mm) by 21 3/4" deep (553mm) by 22" high (559mm) plus adjustable feet. Standard features include chrome-plated adjustable feet, 2 1/2" to 4" (64mm to 102mm).

Front, top and sides and trim are constructed with stainless steel.

A single fold-down door with double-pane thermoglass opens for easy viewing and sideways loading of 1/2-size sheet pans.

One year limited parts & labor warranty.

Job _____ Item # _____

ELECTRIC CONVECTION OVENS

Model BP-200

STANDARD FEATURES

- Energy efficient 3.2 KW per oven direct forced air heat system
- 208v or 240v, 60hz; 1 phase with cord & plug
- Electro mechanical temperature control
- Double-pane thermal glass door window
- Oven lights
- 120-Minute timer with alarm
- 175°F (80°C) to 520°F (271°C) temperature range
- Cool down fan mode
- Elements-on and temperature-ready indicator lights
- Stainless steel oven interior
- 11-Position removable rack guides with 1" (25mm) spacing
- 4 Heavy-duty, positive-stop, chrome-plated wire racks
- Stainless steel stainless front, top & sides
- Bottom hinged glass door
- Adjustable legs — 2 1/2" (64mm) to 4" (102mm)
- Front mounted control panel for easy service access
- Heavy-duty industrial grade insulation in top, sides and back
- One year limited parts & labor warranty

OPTIONS & ACCESSORIES

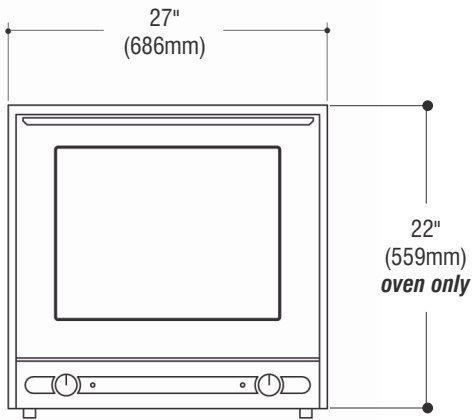
- Stainless steel stand with or without casters

CERTIFICATIONS

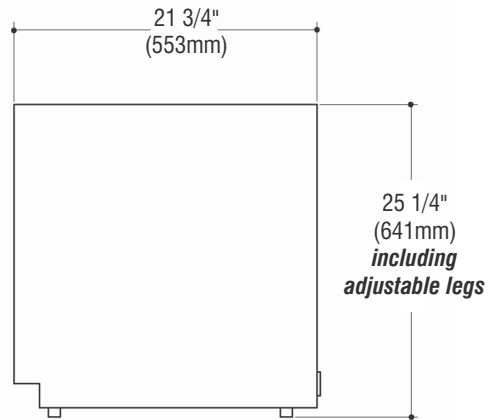


BAKERS PRIDE OVEN COMPANY, INC.
30 Pine Street, New Rochelle, NY 10801
914/576-0200 • 1-800-431-2745 • fax 914/576-0605
www.bakerspride.com

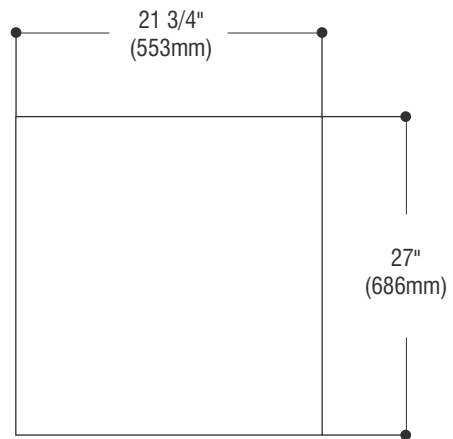
Continuous product improvement is a policy of Bakers Pride Oven Company. Therefore, specifications and design are subject to change without notification



FRONT VIEW



SIDE VIEW — Single Unit



TOP VIEW

ALL DIMENSIONS NOMINAL

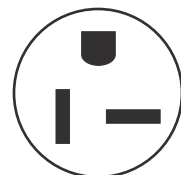
SHIPPING INFORMATION

Model	Shipping Weight		Carton Size		Carton Dimensions					
	Lbs.	Kilos	Cubic Feet	Cubic Meters	Width		Depth		Height	
	Inches	mm	Inches	mm	Inches	mm	Inches	mm	Inches	mm
BP-200	150	68	10.1	.29	27	686	30	762	26	641

POWER SUPPLY

Model	KW	Voltage	Phase	Amps	Breaker
BP-200	3.2	208	1	15.3	20
	3.2	240	1	13.4	20

Each oven requires separate electrical connections



6-20P



BAKERS PRIDE OVEN COMPANY, INC.
 30 Pine Street, New Rochelle, NY 10801
 914/576-0200 • 1-800-431-2745 • fax 914/576-0605
 www.bakerspride.com

Continuous product improvement is a policy of Bakers Pride Oven Company.
 Therefore, specifications and design are subject to change without notification
 TSW:07/07

Free Manuals Download Website

<http://myh66.com>

<http://usermanuals.us>

<http://www.somanuals.com>

<http://www.4manuals.cc>

<http://www.manual-lib.com>

<http://www.404manual.com>

<http://www.luxmanual.com>

<http://aubethermostatmanual.com>

Golf course search by state

<http://golfingnear.com>

Email search by domain

<http://emailbydomain.com>

Auto manuals search

<http://auto.somanuals.com>

TV manuals search

<http://tv.somanuals.com>