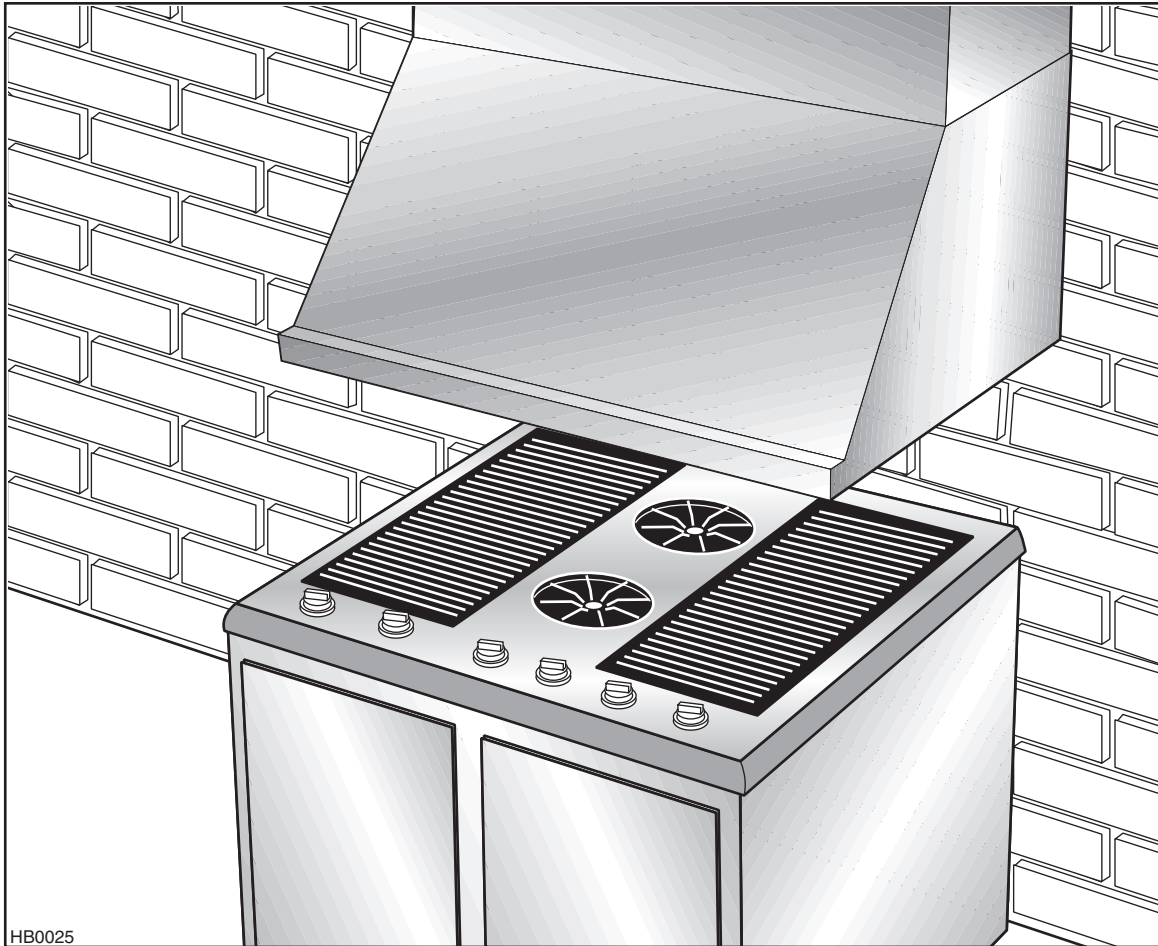


## INSTALLATION INSTRUCTIONS

**best**<sup>®</sup>  
by **BROAN**<sup>®</sup>



### MODEL WPD28I

SUITABLE FOR USE IN DAMP LOCATIONS WHEN INSTALLED IN A GFCI PROTECTED BRANCH-CIRCUIT. INTENDED FOR OUTDOOR COVERED PATIO OR LANAI AREA.

**⚠ INTENDED FOR DOMESTIC COOKING ONLY ⚠**

**READ AND SAVE THESE INSTRUCTIONS**

INSTALLER: LEAVE THIS MANUAL WITH HOMEOWNER.

HOMEOWNER: USE AND CARE INFORMATION ON PAGES 9 AND 10.

In USA - BEST BY BROAN<sup>®</sup> P.O. Box 140, Hartford, WI 53027

In Canada - BEST BY BROAN<sup>®</sup> 550 Lemire Blvd., Drummondville, QC, J2C 7W9

REGISTER YOUR PRODUCT ON LINE AT: [www.bestbybroan.com/register](http://www.bestbybroan.com/register)

For additional information - visit [www.bestbybroan.com](http://www.bestbybroan.com)

V06740 Rev. C

## **WARNING**

### **TO REDUCE THE RISK OF FIRE, ELECTRIC SHOCK OR INJURY TO PERSONS, OBSERVE THE FOLLOWING:**

1. Use this unit only in the manner intended by the manufacturer. If you have questions, contact the manufacturer at the address or telephone number listed in the warranty.
2. Before servicing or cleaning unit, switch power off at service panel and lock service disconnecting means to prevent power from being switched on accidentally. When the service disconnecting means cannot be locked, securely fasten a prominent warning device, such as a tag, to the service panel.
3. Installation work and electrical wiring must be done by qualified personnel in accordance with all applicable codes and standards, including fire-rated construction codes and standards.
4. Sufficient air is needed for proper combustion and exhausting of gases through the flue (chimney) of fuel burning equipment to prevent backdrafting. Follow the heating equipment manufacturer's guidelines and safety standards such as those published by the National Fire Protection Association (NFPA), and the American Society for Heating, Refrigeration and Air Conditioning Engineers (ASHRAE), and the local code authorities.
5. When cutting or drilling into wall or ceiling, do not damage electrical wiring and other hidden utilities.
6. Ducted fans must always be vented to the outdoors.
7. Do not use this unit with any other solid-state speed control device.
8. To reduce the risk of fire, use only steel ductwork.
9. This unit must be grounded and protected by a GFCI.
10. Suitable for use in damp locations only when installed in a GFCI PROTECTED branch-circuit.
11. This unit is not designed for use with a charcoal grill.

### **TO REDUCE THE RISK OF A RANGE TOP GREASE FIRE:**

- a) Never leave surface units unattended at high settings. Boilovers cause smoking and greasy spillovers that may ignite. Heat oils slowly on low or medium settings.
- b) Always turn hood ON when cooking at high heat or when flambeing food (i.e.: Crêpes Suzettes, Cherries Jubilee, Peppercorn Beef Flambé).
- c) Clean ventilating fans frequently. Grease should not be allowed to accumulate on fan or filter.
- d) Use proper pan size. Always use cookware appropriate for the size of the surface element.

## **WARNING**

### **TO REDUCE THE RISK OF INJURY TO PERSONS IN THE EVENT OF A RANGE TOP GREASE FIRE, OBSERVE THE FOLLOWING\*:**

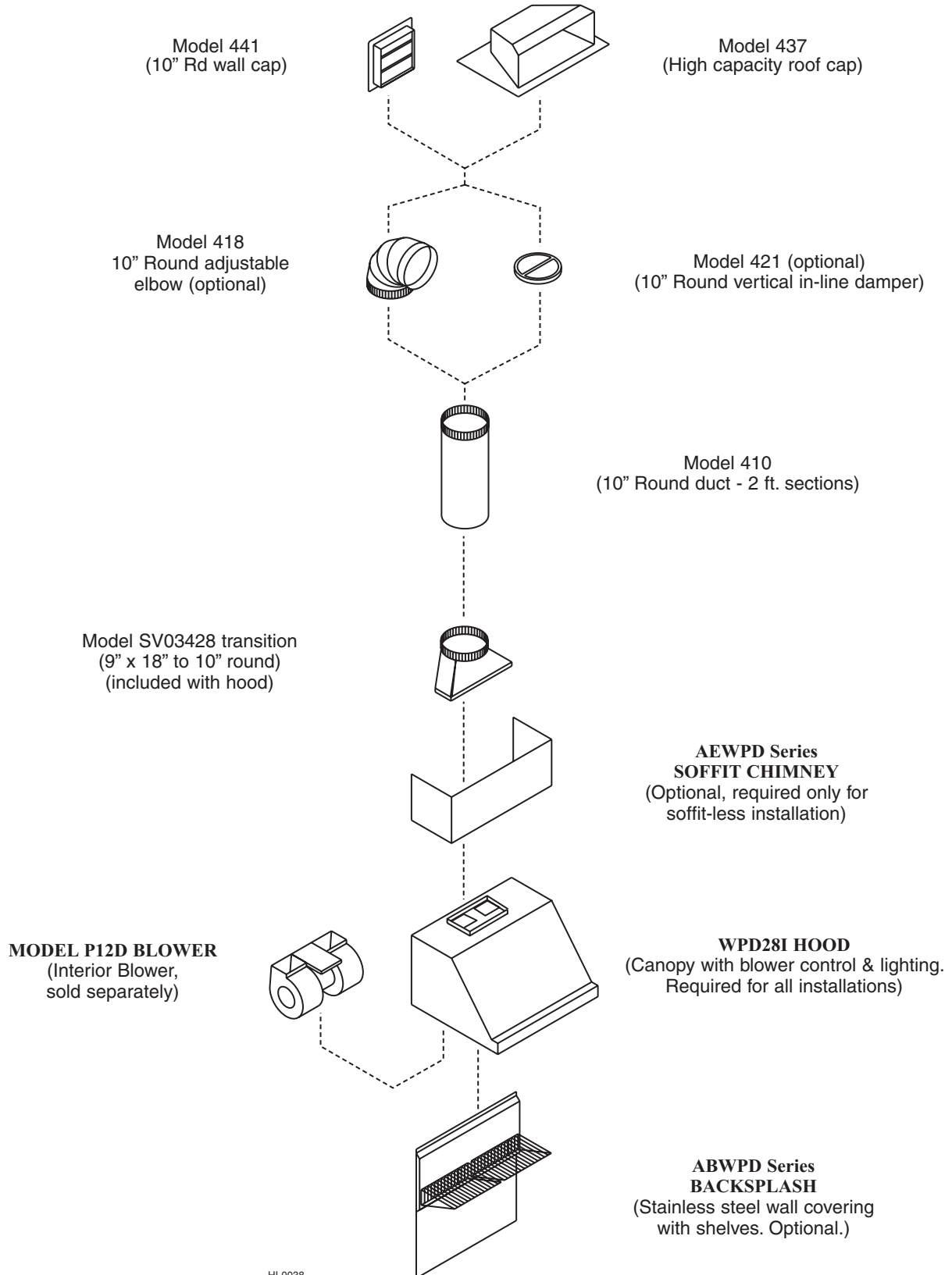
1. SMOTHER FLAMES with a close-fitting lid, cookie sheet or metal tray, then turn off the burner. BE CAREFUL TO PREVENT BURNS. IF THE FLAMES DO NOT GO OUT IMMEDIATELY, EVACUATE AND CALL THE FIRE DEPARTMENT.
2. NEVER PICK UP A FLAMING PAN – You may be burned.
3. DO NOT USE WATER, including wet dishcloths or towels – This could cause a violent steam explosion.
4. Use an extinguisher ONLY if:
  - A. You own a Class ABC extinguisher and you know how to operate it.
  - B. The fire is small and contained in the area where it started.
  - C. The fire department has been called.
  - D. You can fight the fire with your back to an exit.

\* Based on "Kitchen Fire Safety Tips" published by NFPA.

## **CAUTION**

1. For general ventilating use only. Do not use to exhaust hazardous or explosive materials and vapors.
2. To avoid motor bearing damage and noisy and/or unbalanced impellers, keep drywall spray, construction dust, etc. off power unit.
3. Your hood motor has a thermal overload which will automatically shut off the motor if it becomes overheated. If the motor stops, discontinue cooking. The motor will restart when it cools down. If the motor continues to shut off and restart, have the hood serviced.
4. The minimum hood distance above cooktop must not be less than 30". A maximum of 36" above cooktop is highly recommended for best capture of cooking impurities.
5. Two installers are recommended because of the large size and weight of this hood.
6. To reduce the risk of fire and to properly exhaust air, be sure to duct air outside – Do not exhaust air into spaces within walls or ceiling or into attics, crawlspaces or garage.
7. This product is equipped with a thermostat which may start blower automatically. To reduce the risk of injury and to prevent power from being switched on accidentally, switch power off at service panel and lock or tag service panel.
8. Because of the high exhausting capacity of this hood, if used indoors, you should make sure enough air is entering the house to replace exhausted air by opening a window close to or in the kitchen.
9. To reduce the risk of fire and electrical shock, the Best model WPD28I must be installed only with internal blower model P12D (sold separately). Other blowers cannot be substituted.
10. Use with approved cord-connection kit only.
11. Please read specification label on product for further information and requirements.

# WPD28I HOOD SYSTEM



HL0038

# 1. INSTALL DUCTWORK

This exhaust hood is designed for use with gas or electric outdoor cooking appliances when operated in an outdoor covered patio or lanai area. As with all electrical appliances, this unit should be protected from the effects of weather as much as possible.

## ⚠ WARNING

**This unit is not designed for use with a charcoal grill.**

The Best WPD28I model must be installed with the interior blower P12D only (sold separately). Other blowers cannot be substituted.

Plan where and how the ductwork will be installed.

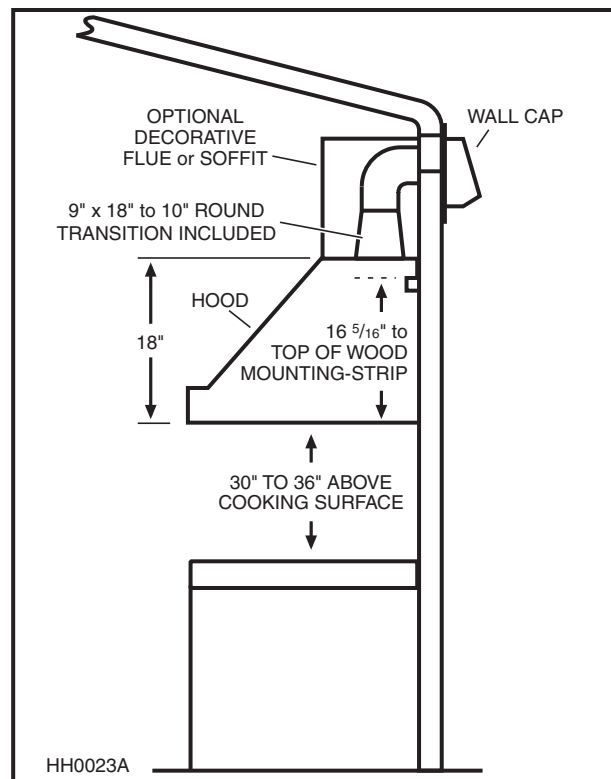
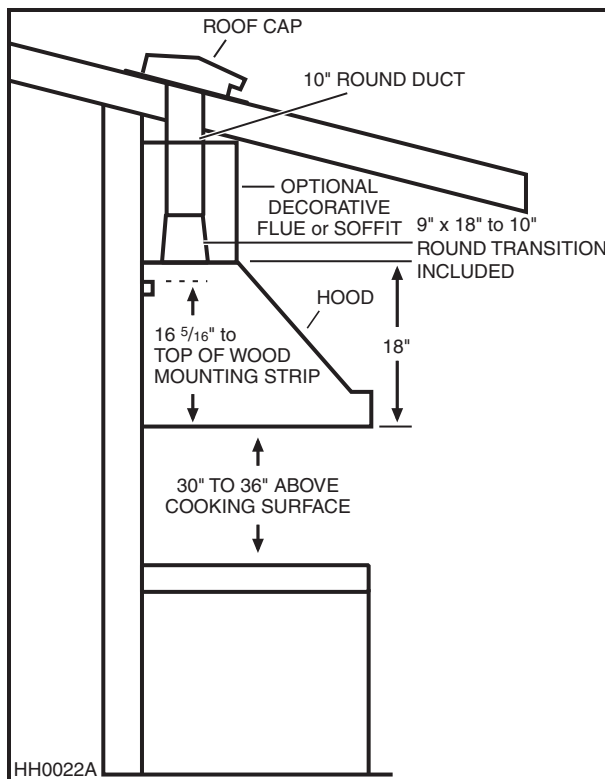
Install 10" round galvanized steel ductwork, elbows and roof or wall cap for the type of blower you are installing. Use 2" duct tape to seal duct joints.

**The minimum hood distance above cooktop must not be less than 30". A maximum of 36" above cooktop is highly recommended for best capture of cooking impurities.**

Run power cable to installation location.

## ⚠ WARNING

**The power cable must be a GFCI protected branch circuit.**



## 2. PREPARE THE INSTALLATION

Make sure that the following items are included:

- Range Hood
- Wood strip
- Installation Manual
- Transition (9" x 18" to 10" round)
- Box of Accessories including:
  - Baffle filters (3 or 4 depending on range hood dimensions)
  - Lights (120 V, 50 W, type GU10, shielded halogen lamps) (2 or 4 depending on range hood dimensions)
  - Trim rings for lights (2 or 4 depending on range hood dimensions)
  - Bag of parts including:
    - (3) waterproof wire connectors, (2) wire clamps, (8) #8 x  $\frac{3}{8}$ " screws (not used), (8) #8 x  $\frac{3}{4}$ " screws,
    - (4) #10-2" standard wood screws, (2) wall anchors, (2) washers (discard items not used).

Parts sold separately:

- Interior blower P12D
- Ductwork, elbows, dampers, wall and roof caps. Refer to page 3 for a complete list of venting options and model numbers.

NOTE: During installation, protect countertop and/or cooktop.

## 3. INSTALL BACKSPLASH (OPTIONAL)

### *ABWPD Series*

Backsplash must be installed before the hood shell because the hood shell covers the backsplash top mounting screws. In order to be able to install the backsplash, make sure there is at least 18" (457 mm) clearance between bottom of hood and range control panel or cooktop. (refer to instructions included with backsplash).

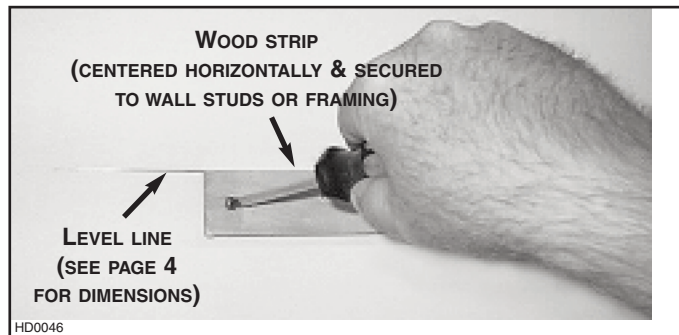
### CAUTION

**If this backsplash is installed in a saline environment (e.g. coast), rinse all surfaces once a week with clear water, (even if the hood is not used) and wipe dry completely.**

## 4. INSTALL WOOD STRIP

Measure and mark a level line on wall above cooktop location for the wood mounting strip (see illustration on page 4).

Center the provided wood mounting strip over location. Secure strip to the wall studs or framing with provided #10-2" wood screws as shown.

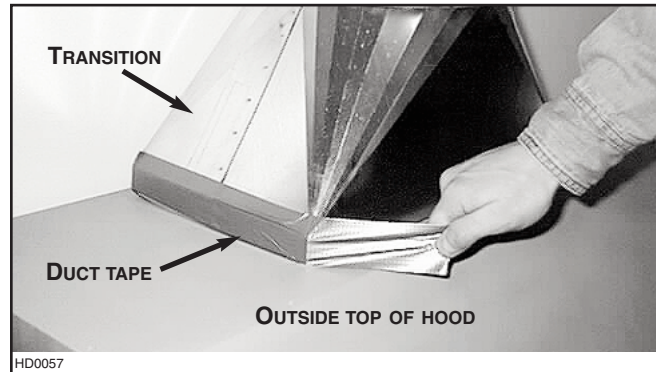


### CAUTION

**Due to the weight of this hood, ensure that the wood strip is attached to all of the available wall studs (2 studs minimum for the 36" hood, more as hood width increases); not into the drywall alone.**

## 5. INSTALL TRANSITION

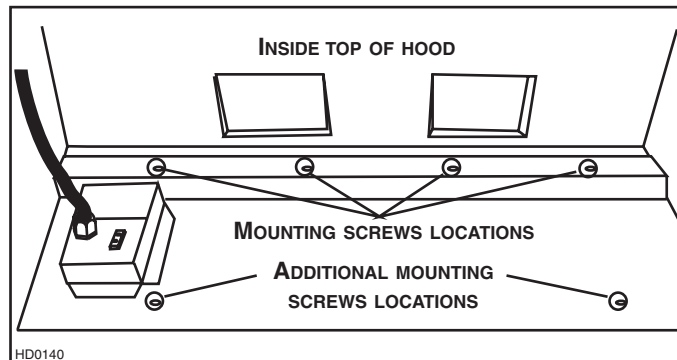
Attach transition (provided) to top of hood.  
Use duct tape to make all joints secure and airtight.



## 6. INSTALL THE HOOD

Lift hood up and onto wood strip. Attach transition to 10" round duct. Center hood over location and hold it up against bottom of soffit or flue. Secure hood to wood strip with provided #8 x 3/4" mounting screws.

Use additional mounting screws (and wall anchors if necessary) through lower set of holes.



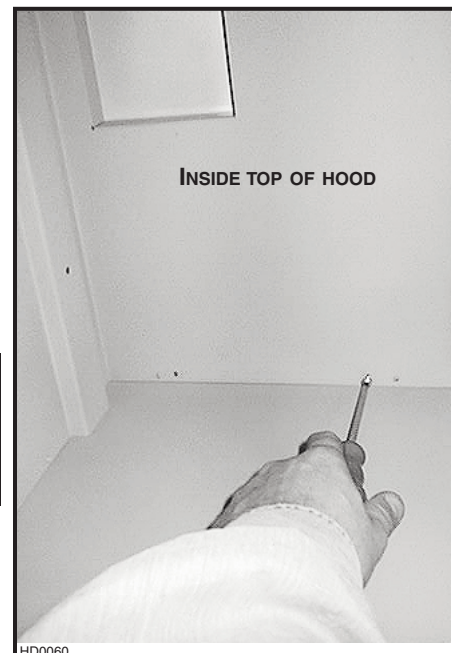
## 7. CONNECT DECORATIVE FLUE TO HOOD (OPTIONAL)

### ***AEWPD Series***

From inside the hood, attach flue to top of hood at sides and front of hood using #8-32 x 1/2" screws (provided with decorative flue).

### **CAUTION**

**If this decorative flue is installed in a saline environment (e.g. coast), rinse all surfaces once a week with clear water, (even if the hood is not used) and wipe dry completely.**



## 8. CONNECT WIRING

### WARNING

**Risk of electrical shock. Electrical wiring must be done by qualified personnel in accordance with all applicable codes and standards. Before connecting wires, switch power off at service panel and lock service disconnecting means to prevent power from being switched on accidentally.**

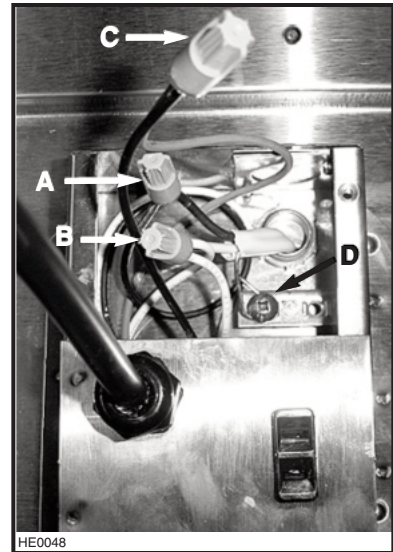
Punch out the knock-out hole located on back side of the hood.

Remove the hood wiring box cover. Install the wire clamp on the back side of the wiring box. Pass power cable through the wire clamp in the wiring box. Tighten wire clamp completely to secure the cable. Connect cable into wiring box using provided waterproof wire connectors.

Connect wires as follow: BLACK wire from power cable to BLACK wire from hood control panel (A), all WHITE wires together (B), BLACK wire from wiring box to ORANGE wire from hood control panel (C), and GREEN or BARE wire under ground screw (D). **DO NOT FORGET TO CONNECT THE GROUND.** Reinstall the wiring box cover.

#### WATERPROOF WIRE CONNECTORS INSTRUCTIONS:

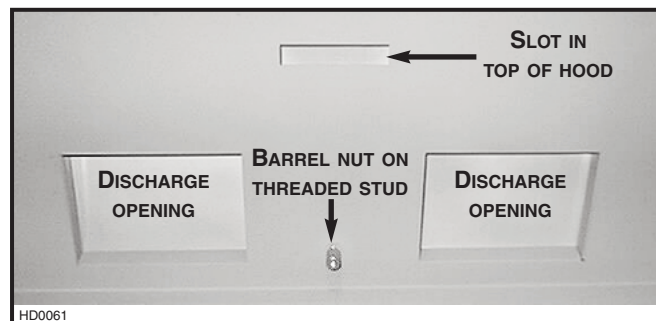
1. Strip wires  $\frac{3}{8}$ ".
2. Align frayed strands or conductors.
3. Do not pre-twist. Place stripped wires together with ends even, but lead smaller stranded wires slightly ahead of larger solid or stranded wire.
4. Twist connector onto wires pushing firmly until hand-tight. DO NOT over torque.
5. When inserting wires into connectors, some sealant may leak out. Wipe off excess sealant in and around conductors. DO NOT REUSE.



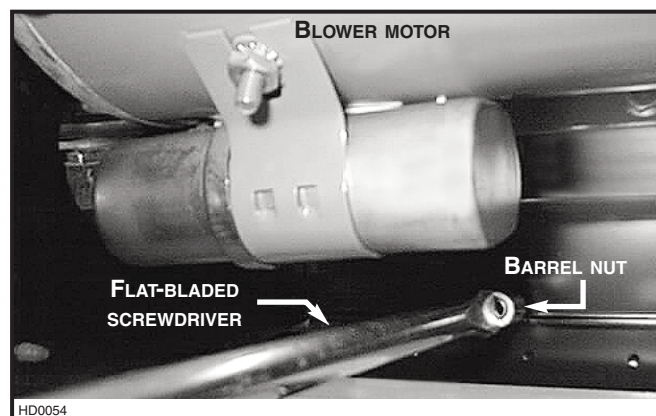
## 9. INSTALL THE BLOWER

Assemble barrel nut (packed with blower) approximately  $\frac{1}{2}$  way onto threaded stud on top inside of hood.

Lift blower to top inside of hood. Slide blower back to engage blower tab with slot in hood top and slot in blower with barrel nut.



Use a long, flat-bladed screwdriver to tighten the barrel nut securely. Plug motor into receptacle, on exterior side of the wire box.



## 10. LIGHT BULBS

This hood must use 120V, 50W max., type GU10 shielded halogen lamps (included).

### WARNING

**In order to prevent the risk of personal injury, do not install a lamp identified for use only in enclosed fixtures.**

1. Install lamps by placing the bulb leads into their grooves in the socket and gently push upward and turn clockwise until secured.
2. Install trim rings by gently pushing upward and turning clockwise until secured.

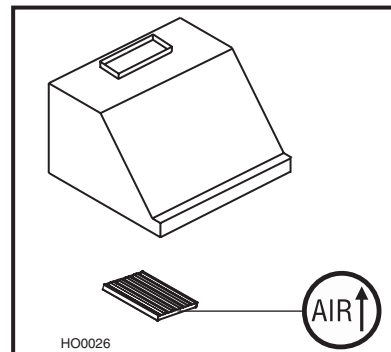


## 11. INSTALL BAFFLE FILTERS

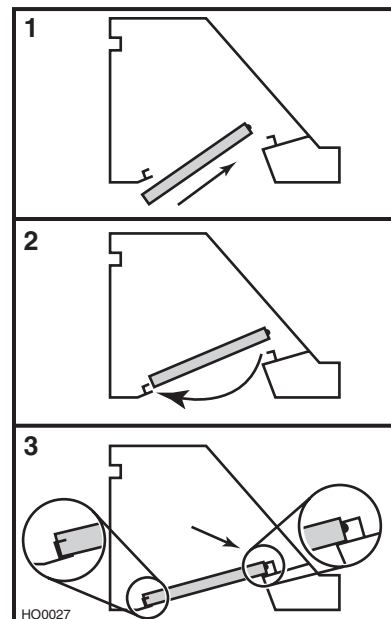
### CAUTION

**Remove protective plastic film covering the baffle filters before installing them.**

It is recommended to install side filters first and finish with center one(s). A vertical arrow with the word AIR can be found on the filters border. Make sure to install the baffle filters with the arrow pointing towards the inside of the hood. See figure beside.



1. Insert upper end of baffle filter into the hood.
2. Raise lower end of baffle filter to position inside of hood and push to insert the rear clip inside its slot in baffle back side.
3. While pushing the baffle filter, slide it under the inner retaining piece. Make sure the baffle filters are positioned as shown beside in order to allow the grease to reach the grease rail easily.





## 12. USE AND CARE

### WARNING

**Before servicing or cleaning the unit, switch power off at service panel and lock service panel to prevent power from being switched on accidentally. When the service disconnecting means cannot be locked, securely fasten a prominent warning device, such as a tag, to the service panel.**

Grease rail and baffle filters.

The grease rail and the baffle filters should be cleaned monthly. Use a warm detergent solution. Baffle filters are dishwasher safe. Remove baffle filters by pushing them towards the back of hood and rotating downward.

Stainless steel cleaning: How to maintain its « BRIGHT LOOK » and help prevent corrosion.

### CAUTION

**If this hood is installed in a saline environment (e.g. coast), rinse all surfaces once a week with clear water, (even if this hood is not used) and wipe dry completely.**

#### Do:

- Once a month, wash surfaces with clean cloth or rag soaked with warm water and mild soap or liquid dish detergent.
- Always clean in the direction of original polish lines.
- Always rinse well with clear water (2 or 3 times) after cleaning. Wipe dry completely.
- You may also use a specialized household stainless steel cleaner.

#### Don't:

- Do not use any steel or stainless steel wool or any other scrapers to remove stubborn dirt.
- Do not use any harsh or abrasive cleansers.
- Do not allow dirt to accumulate.
- Do not let plaster dust or any other construction residues reach the hood. During construction or renovation, cover the hood to make sure no dust sticks to stainless steel surface.

#### Avoid: when choosing a detergent

- Any cleaners that contain **bleach** will attack stainless steel.
- Any products containing : **chloride, fluoride, iodide, bromide** will deteriorate surfaces rapidly.
- Any **combustible products** used for cleaning such as **acetone, alcohol, ether, benzol**, etc., are highly explosive and should never be used close to a range.

## WARRANTY

### **BROAN-NUTONE LLC ONE-YEAR LIMITED WARRANTY**

Broan-NuTone LLC warrants to the original consumer purchaser of its products that such products will be free from defects in materials or workmanship for a period of one year from the date of original purchase. THERE ARE NO OTHER WARRANTIES, EXPRESS OR IMPLIED, INCLUDING, BUT NOT LIMITED TO, IMPLIED WARRANTIES OR MERCHANTABILITY OR FITNESS FOR A PARTICULAR PURPOSE.

During this one-year period, Broan-NuTone LLC will, at its option, repair or replace, without charge, any product or part which is found to be defective under normal use and service.

This warranty does not cover (a) normal maintenance and service or (b) any products or parts which have been subject to misuse, negligence, accident, improper maintenance or repair (other than by Broan-NuTone LLC), faulty installation or installation contrary to recommended installation instructions.

The duration of any implied warranty is limited to the one-year period as specified for the express warranty. Some states do not allow limitation on how long an implied warranty lasts, so the above limitation may not apply to you.

**BROAN-NUTONE LLC'S OBLIGATION TO REPAIR OR REPLACE, AT BROAN'S OPTION, SHALL BE THE PURCHASER'S SOLE AND EXCLUSIVE REMEDY UNDER THIS WARRANTY. BROAN-NUTONE LLC SHALL NOT BE LIABLE FOR INCIDENTAL, CONSEQUENTIAL OR SPECIAL DAMAGES ARISING OUT OF OR IN CONNECTION WITH PRODUCT USE OR PERFORMANCE. Some states do not allow the exclusion or limitation of incidental or consequential damages, so the above limitation or exclusion may not apply to you.**

This warranty gives you specific legal rights, and you may also have other rights, which vary from state to state. This warranty supersedes all prior warranties.

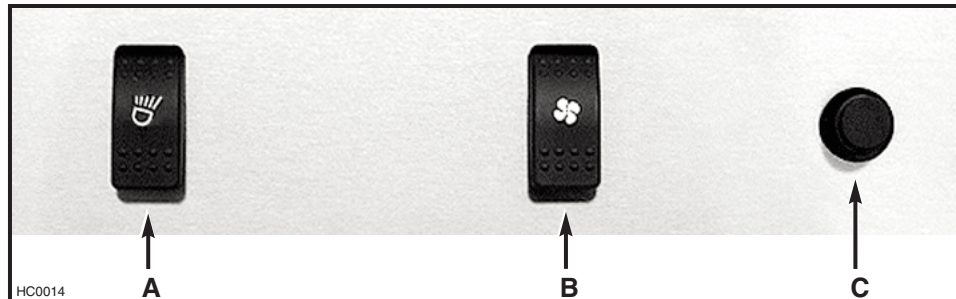
To qualify for warranty service, you must (a) notify Broan-NuTone LLC at the address or telephone number stated below, (b) give the model number and part identification and (c) describe the nature of any defect in the product or part. At the time of requesting warranty service, you must present evidence of the original purchase date.

**Best by Broan®**, P.O. Box 140, Hartford, WI 53027 USA (1-800-637-1453)

**Best by Broan®**, 550 Lemire Blvd., Drummondville, QC J2C 7W9 CANADA (1-866-737-7770)

## 13. OPERATION

The hood is operated using the (3) controls located beneath the front edge of the hood.



- A) Light switch
- B) Blower ON/OFF switch
- C) Blower speed control

### A) LIGHT SWITCH

The light switch turns the halogen lights ON and OFF.

Use GU10, 50W, 120V shielded halogen lamps (included).

### B) BLOWER ON / OFF SWITCH

The blower ON / OFF switch turns the blower ON to the speed pre-set by the speed control. The blower must be turned On and OFF using this switch.

### C) BLOWER SPEED CONTROL

Use the blower speed control to increase or decrease cooktop ventilation. Rotate the control to the left to increase the blower speed - to the right to decrease the blower speed.

### HEAT SENTRY

This unit is equipped with a Heat Sentry thermostat. This thermostat is a device that will turn on or speed up the blower if it senses excessive heat above the cooking surface.

- 1) If blower is OFF - it turns blower ON to HIGH speed.
- 2) If blower is ON at a lower speed setting – it turns the blower up to HIGH speed.

### WARNING

**The HEAT SENTRY can start the blower even if the hood is turned OFF. In this case, it is impossible to turn the blower OFF with blower switch. If you must stop the blower, do it from the main electrical panel.**

When the temperature level drops to normal, the blower will return to its original setting.

Test all hood switches.

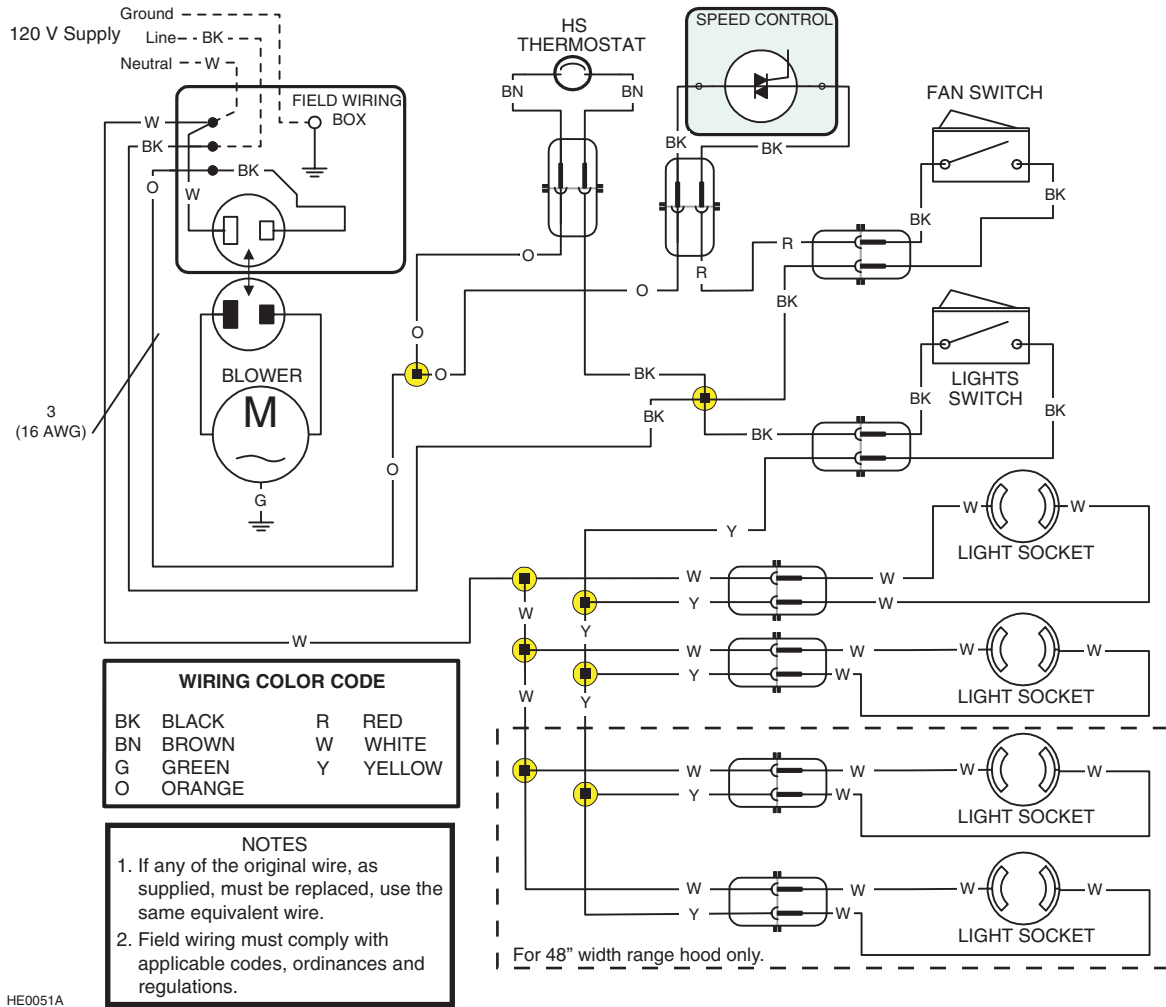
### USING HOOD WITH A COVERED GAS GRILLE

When opening the cover on your gas grille you may notice a reduction in the capture of smoke and steam.

# 14. WIRING DIAGRAM

## ⚠ WARNING

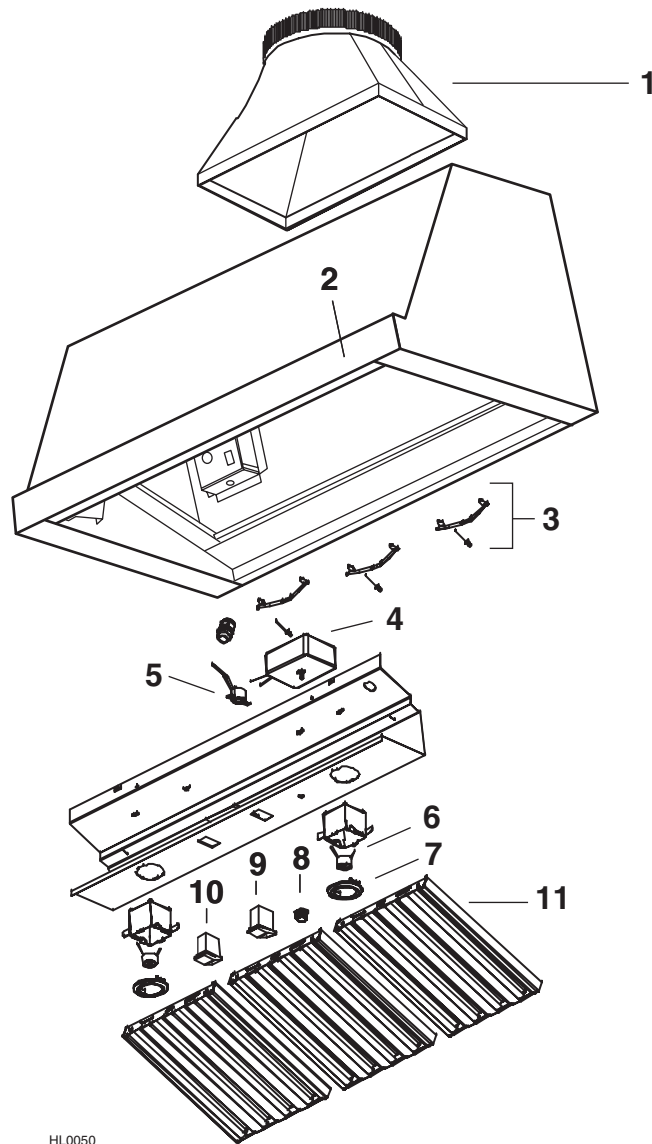
Risk of electrical shocks. Electrical wiring must be done by qualified personnel in accordance with all applicable codes and standards. Before connecting wires, switch power off at service panel and lock service disconnecting means to prevent power from being switched on accidentally.



HE0051A

# SERVICE PARTS

## WPD28I MODEL

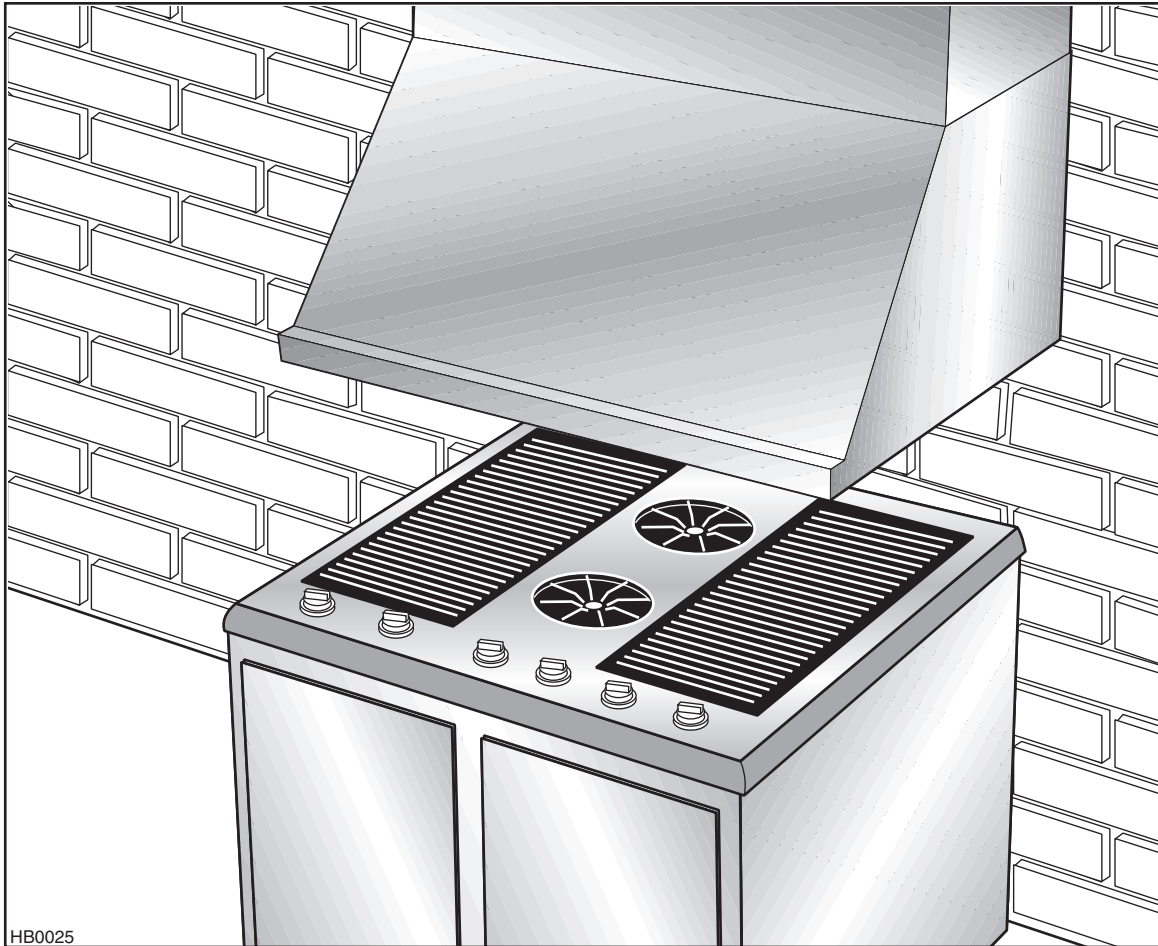


HL0050

REF. #.	PART #	DESCRIPTION	HOOD WIDTH	
			36"	48"
1	V03428	TRANSITION 9" X 18" TO 10" ROUND	1	1
2	V05869	BEST LOGO	1	1
3	V15432	FILTER CLIP KIT	3	4
4	V06364	POTENTIOMETER	1	1
5	V06497	THERMOSTAT	1	1
6	V06498	SOCKET LAMP GU-10 ASSEMBLY	2	4
7	V02775	TRIM RING	2	4
8	V03504	BLOWER SPEED CONTROL KNOB	1	1
9	V06496	BLOWER SWITCH	1	1
10	V06495	LIGHT SWITCH	1	1
11	V15422	BEST BAFFLE FILTER 9.250" x 12.500"	3	4
*	V06332	ELECTRICAL HARNESS	1	-
*	V06933	ELECTRICAL HARNESS	-	1
*	V05921	HALOGEN LAMPS (50W, 120 VOLTS, GU-10 TYPE)	2	4
*	V06740	INSTALLATION MANUAL	1	1
*	V04216	PARTS BAG ((3) waterproof wire connectors, (2) wire clamps LP16-AP, (8) #8 x 3/8" screws, (8) #8 x 3/4" screws, (4) #10-2" standard screws, (2) wall anchors, (2) washers)	1	1

\* Item not shown.

**best**<sup>®</sup>  
by **BROAN**<sup>®</sup>



## MODÈLE WPD28I

CONVIENT À UNE INSTALLATION DANS DES LIEUX HUMIDES LORSQUE RACCORDÉ  
À UN DISJONCTEUR DE FUITE À LA TERRE (DDFT).

CONÇU POUR FONCTIONNER SUR UN PATIO COUVERT OU UNE VÉRANDA.

**⚠ CONÇU POUR LA CUISSON DOMESTIQUE SEULEMENT ⚠**

**LIRE ET CONSERVER CES INSTRUCTIONS**

INSTALLATEUR : LAISSER CE GUIDE AU PROPRIÉTAIRE.

PROPRIÉTAIRE : INSTRUCTIONS D'UTILISATION ET D'ENTRETIEN EN PAGES 21 ET 22.

Aux États-Unis - BEST BY BROAN<sup>®</sup> P.O. Box 140, Hartford, WI 53027

Au Canada - BEST BY BROAN<sup>®</sup> 550, boul. Lemire, Drummondville (Québec) J2C 7W9

ENREGISTREZ VOTRE PRODUIT EN LIGNE À : [www.bestbybroan.com/register](http://www.bestbybroan.com/register)

Pour obtenir plus d'information, consultez notre site [www.bestbybroan.com](http://www.bestbybroan.com)

V06740 Rev. C

## AVERTISSEMENT

**AFIN DE RÉDUIRE LES RISQUES D'INCENDIE, D'ÉLECTROCUTION OU DE BLESSURES CORPORELLES, SUIVEZ LES INSTRUCTIONS SUIVANTES :**

1. N'utilisez cet appareil que de la façon prévue par le fabricant. Si vous avez des questions, contactez le fabricant à l'adresse et au numéro de téléphone indiqués sur la garantie.
2. Avant de réparer ou de nettoyer l'appareil, couper l'alimentation électrique en verrouillant le panneau de service afin d'éviter sa remise en marche accidentelle. Si le panneau de service ne peut être verrouillé, y fixer un avertissement en évidence.
3. Les travaux d'installation et de raccordement électrique doivent être effectués par une personne qualifiée, conformément aux codes et standards de construction, incluant ceux concernant le feu.
4. Une quantité d'air adéquate est requise afin d'assurer une bonne combustion et l'évacuation des gaz par la cheminée dans le cas des équipements alimentés au gaz, afin de prévenir les retours de cheminée. Conformez-vous aux instructions et aux standards de sécurité des fabricants d'équipement de chauffage, tel que publiés par le National Fire Protection Association (NFPA), et l'American Society for Heating, Refrigeration and Air Conditioning Engineers (ASHRAE), ainsi que les responsables des codes locaux.
5. Lorsque vous coupez ou percez un mur ou un plafond, prenez garde de ne pas endommager les fils électriques ou tout appareil cachés.
6. Les ventilateurs avec conduits doivent toujours être ventilés à l'extérieur.
7. Ne pas utiliser cet appareil avec une commande de vitesse à semi-conducteur additionnelle.
8. Afin de réduire les risques d'incendie, n'utilisez que des conduits en acier.
9. Cet appareil doit être mis à la terre et protégé par un DDFT (disjoncteur de mise à la terre).
10. Convient à une utilisation dans des lieux humides seulement lorsque raccordé à un DISJONCTEUR DE FUITE À LA TERRE (DDFT).
11. Cet appareil n'est pas conçu pour être utilisé avec un barbecue.

**AFIN DE RÉDUIRE LES RISQUES DE FEU DE CUISINIÈRE :**

- a) Ne jamais laisser les appareils de cuisson sans surveillance lorsqu'ils sont réglés à feu vif. Les débordements engendrent de la fumée et des déversements graisseux pouvant s'enflammer. Chauffez l'huile lentement, à feu doux ou moyen.
- b) Mettez toujours la hotte en marche lorsque vous cuisinez à feu vif ou que vous cuisinez des mets flambés (crêpes Suzette, cerises jubilé, steaks au poivre flambé).
- c) Nettoyez régulièrement la roue du ventilateur. Ne laissez pas la graisse s'accumuler sur le ventilateur ou les filtres.
- d) Utilisez le bon format de casserole. Servez-vous toujours de casseroles et d'ustensiles appropriés à la dimension de la surface chauffante.

## AVERTISSEMENT

**AFIN D'ÉVITER TOUT RISQUE DE BLESSURES DANS LE CAS D'UN FEU DE CUISINIÈRE, SUIVEZ CES INSTRUCTIONS\* :**

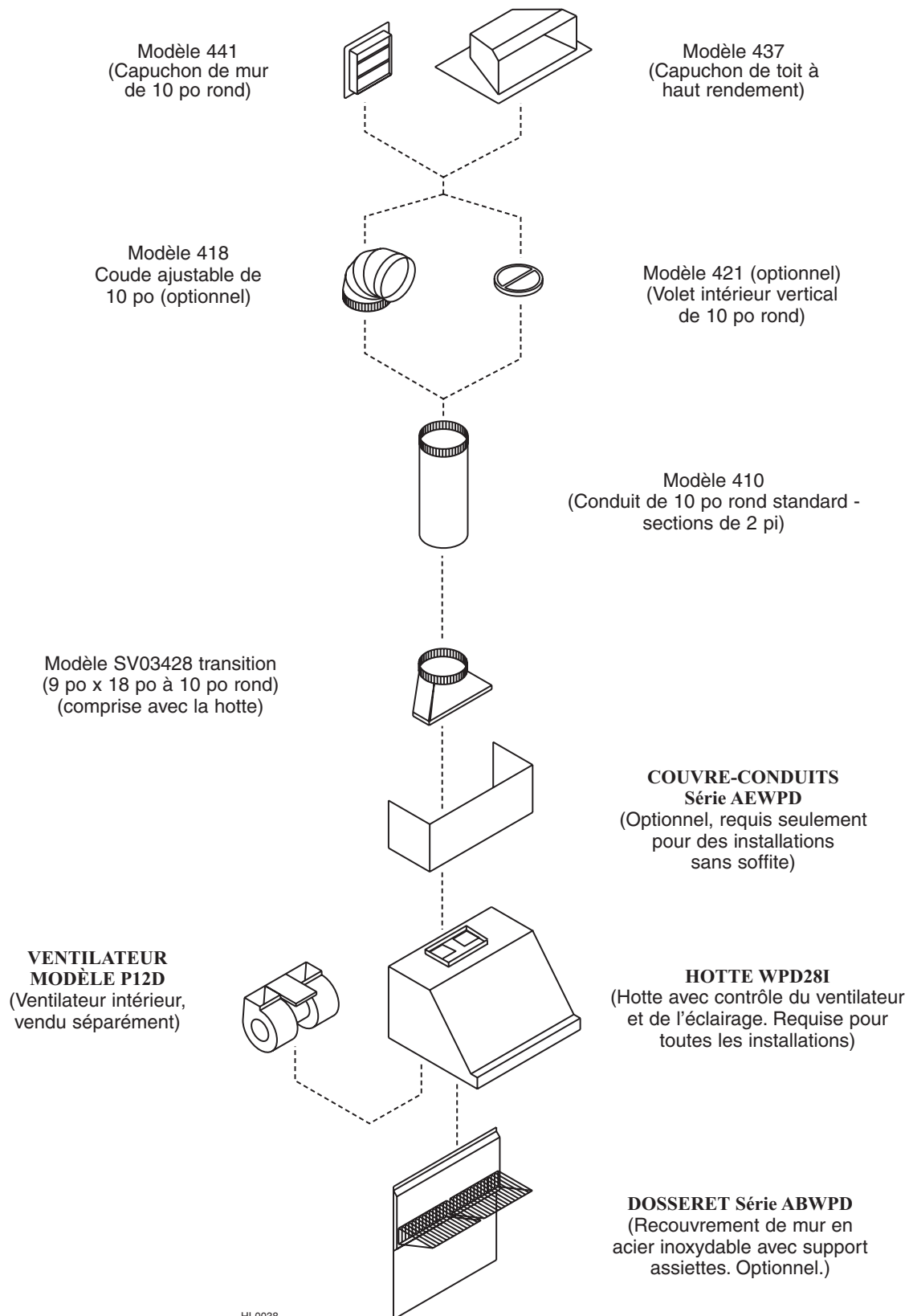
1. Éteignez les flammes avec un couvercle hermétique, une tôle à biscuits ou un plateau métallique et ensuite, éteindre le brûleur. PRENEZ SOIN D'ÉVITER LES BRÛLURES. SI LES FLAMMES NE S'ÉTEignent PAS IMMÉDIATEMENT, ÉVACUEZ LES LIEUX ET APPELEZ LES POMPIERS.
2. NE PRENEZ JAMAIS UNE CASSEROLE EN FLAMMES DANS VOS MAINS – Vous pourriez subir des brûlures.
3. N'UTILISEZ PAS D'EAU, incluant linge à vaisselle ou serviette mouillés – ceci pourrait occasionner une violente explosion.
4. N'utilisez un extincteur QUE DANS LE CAS OÙ :
  - A. Vous savez qu'il s'agit d'un extincteur de classe ABC et que vous en connaissez le fonctionnement.
  - B. L'incendie est petit et limité à l'endroit où il a débuté.
  - C. Les pompiers ont été avisés.
  - D. Vous pouvez combattre l'incendie en ayant accès à une sortie de secours.

\*Tirées du *Kitchen Fire Safety Tips* publié par la NFPA.

## ATTENTION

1. Pour usage domestique seulement. Ne pas utiliser pour évacuer des vapeurs ou des produits dangereux ou explosifs.
2. Afin d'éviter tout dommage au moteur et de débalancer ou de rendre bruyante la roue du moteur, garder votre appareil à l'abri des poussières de gypse et de construction/rénovation, etc.
3. Le moteur de votre hotte possède une protection thermique qui éteindra automatiquement le moteur s'il devient surchauffé. Si le moteur s'arrête, cessez la cuisson. Le moteur repartira automatiquement une fois refroidi. Si le moteur continue à arrêter et à repartir, faites-le vérifier.
4. La distance minimale entre le bas de votre hotte et la surface de cuisson ne doit pas être plus petite que 30 po. Un maximum de 36 po au dessus de la surface de cuisson est fortement recommandé pour une meilleure évacuation des odeurs de cuisine.
5. Deux installateurs sont recommandés lors de l'installation du à la grande dimension et au poids de cet appareil.
6. Afin de réduire les risques d'incendie, assurez-vous d'évacuer l'air à l'extérieur – Ne pas évacuer l'air dans des espaces restreints comme l'intérieur des murs ou plafond ou dans le grenier, faux plafond ou garage.
7. Cet appareil est équipé d'un thermostat pouvant faire démarrer le ventilateur automatiquement. Afin de réduire le risque de blessure, couper le courant à partir du panneau électrique et verrouiller ou apposer un avertissement sur le panneau afin de prévenir que la hotte soit mise en marche automatiquement.
8. À cause de la grande capacité d'évacuation de cet appareil, si utilisé à l'intérieur, il est recommandé d'ouvrir une fenêtre dans ou près de la cuisine afin de remplacer l'air évacué.
9. Afin de réduire les risques d'incendie et d'électrocution, le modèle Best WPD28I doit être installé uniquement avec le ventilateur interne P12D (vendu séparément). Aucun autre ventilateur ne doit être utilisé.
10. Cette hotte ne doit être utilisée seulement qu'avec un ensemble de cordon d'alimentation approuvé.
11. Veuillez consulter l'autocollant apposé à l'intérieur du produit pour plus d'information ou autres exigences.

# SYSTÈME DE HOTTE WPD28I



HL0038

# 1. INSTALLATION DES CONDUITS

Cette hotte de cuisinière a été conçue pour fonctionner avec une cuisinière électrique ou à gaz, lorsqu'utilisées sur un patio couvert ou une véranda. Comme tous les électroménagers, cet appareil doit autant que possible être à l'abri des intempéries.

## ⚠ AVERTISSEMENT

**Cet appareil n'est pas conçu pour être utilisé avec un barbecue.**

Le modèle Best WPD28I doit être installé uniquement avec le ventilateur intérieur P12D (vendu séparément). Aucun autre ventilateur ne doit être utilisé.

Déterminer à quel endroit et de quelle façon les conduits seront installés.

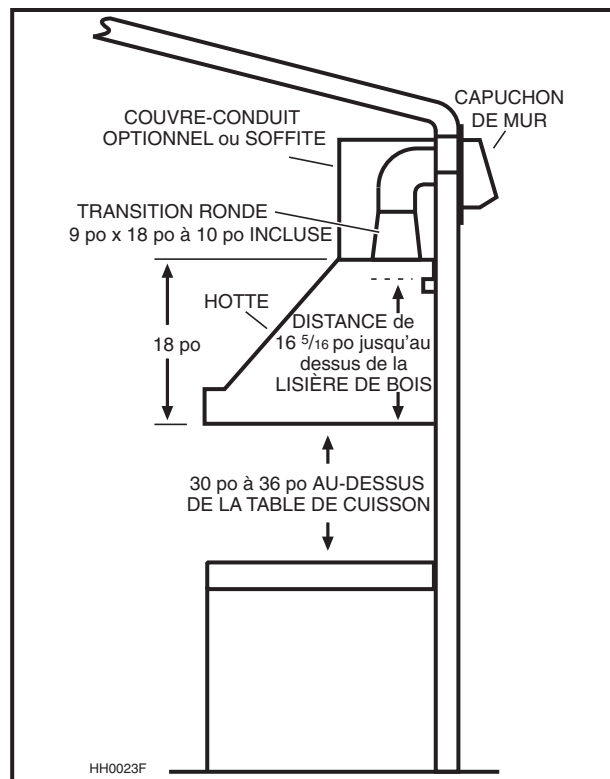
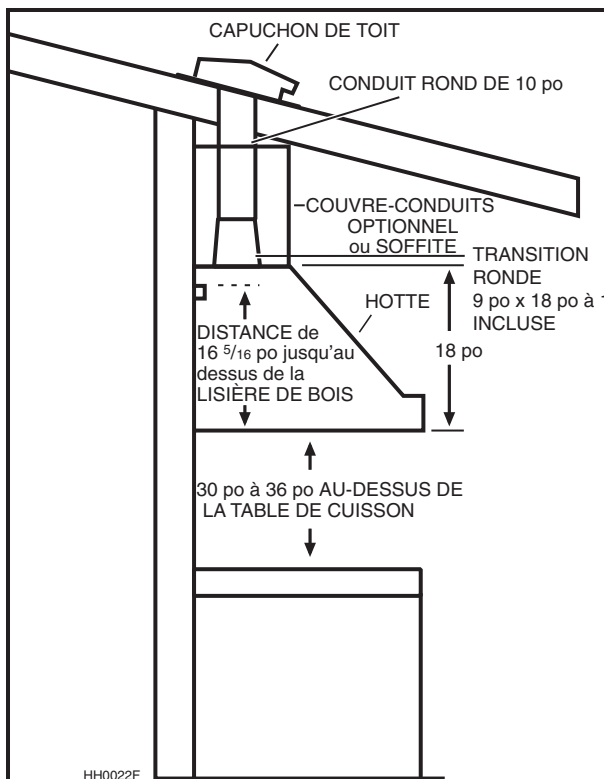
Installer des conduits de 10 po ronds en acier galvanisé, des coudes et un capuchon de mur ou de toit selon le type de ventilateur. Utiliser un ruban adhésif en toile de 2 po pour assurer l'étanchéité des joints.

**La distance minimale entre le bas de la hotte et la surface de cuisson ne doit pas être inférieure à 30 po. Un maximum de 36 po au-dessus de la surface de cuisson est fortement recommandé pour une meilleure évacuation des odeurs de cuisine.**

Passer l'alimentation électrique jusqu'à l'endroit de l'installation.

## ⚠ AVERTISSEMENT

**Le fil d'alimentation doit être raccordé à un disjoncteur de fuite à la terre (DDFT).**





## 2. PRÉPARATION DE L'INSTALLATION

S'assurer que les articles suivants sont inclus :

- Hotte de cuisinière
- Lisière de bois
- Guide d'installation
- Transition (9 po x 18 po à 10 po ronde)
- Boîte d'accessoires comprenant :
  - Filtres à chicane (3 ou 4 selon les dimensions de la hotte)
  - Ampoules (halogènes avec écran de 120 V, 50 W, type GU10) (2 ou 4 selon les dimensions de la hotte)
  - Anneaux métalliques (2 ou 4 selon les dimensions de la hotte)
  - Sac de pièces incluant :
    - (3) connecteurs étanches, (2) serre-fils, (8) vis n° 8 x 3/8 po (ne pas utiliser), (8) vis n° 8 x 3/4 po,
    - (4) vis à bois standard n° 10-2 po, (2) ancrages de gypse, (2) rondelles (jeter la quincaillerie non utilisée).

Pièces vendues séparément :

- Ventilateur interne P12D
- Conduits, coudes, volets, capuchon de mur ou de toit. Consulter la page 15 pour la liste complète des accessoires de ventilation et les numéros de modèle.

NOTE : Lors de l'installation, protéger la table de cuisson et/ou le comptoir de cuisine.

## 3. INSTALLATION DU DOSSERET (OPTIONNEL)

### Série ABWPD

Le dossier doit être installé avant la hotte parce que celle-ci couvre les vis d'installation supérieure du dossier. Afin de pouvoir installer le dossier, s'assurer d'avoir au moins 18 po (457 mm) entre le dessous de la hotte et le panneau de contrôle de la cuisinière ou de la surface de cuisson. (Voir les instructions fournies avec le dossier.)

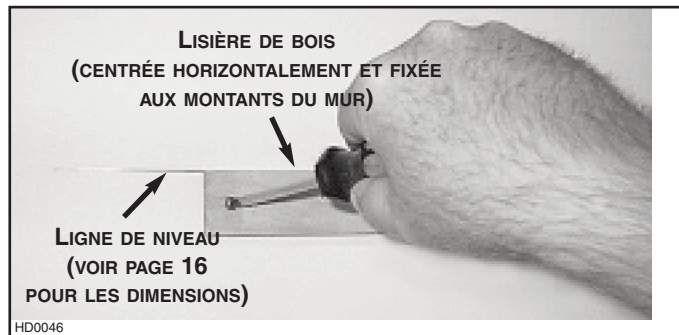
### ATTENTION

**Si ce dossier est installé dans un environnement salin (ex: la côte), rincer à l'eau claire toutes les surfaces une fois par semaine (même si la hotte n'est pas utilisée), et essuyer complètement.**

## 4. INSTALLER LA LISIÈRE DE BOIS

Tracer une ligne de niveau sur le mur au-dessus de la surface de cuisson pour la lisière de bois (voir l'illustration en page 16).

Centre la lisière (incluse) au-dessus de l'emplacement. Fixer la lisière aux montants du mur à l'aide des vis à bois n° 10-2 po (incluses), tel qu'il est illustré.

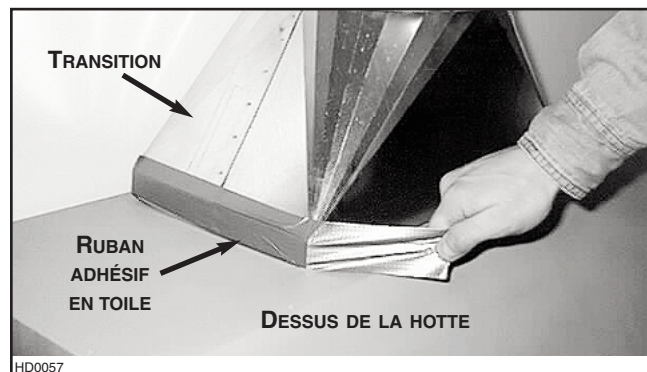


### ATTENTION

**À cause du poids élevé de cette hotte, s'assurer que la lisière de bois est bien rattachée à tous les montants disponibles (un minimum de 2 montants pour une hotte de 36 po, plus pour une plus large). Ne pas visser la lisière de bois à une section de mur sans montants.**

## 5. INSTALLATION DE LA TRANSITION

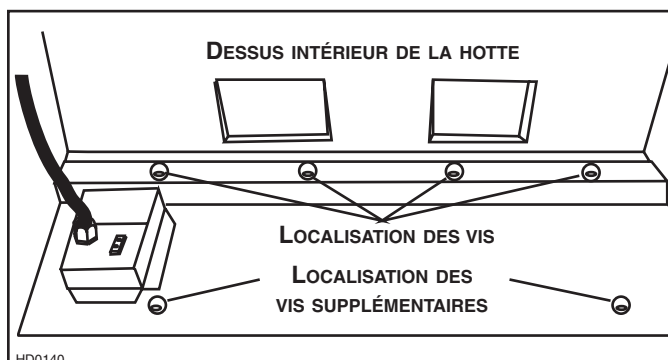
Fixer la transition (incluse) sur le dessus de la hotte.  
À l'aide de ruban adhésif en toile, bien sceller tous les joints.



## 6. INSTALLATION DE LA HOTTE

En appuyant la hotte au mur, insérer la lisière de bois dans sa cavité. Relier la transition au conduit de 10 po rond. Centrer la hotte et l'appuyer à la base du soffite (si présent). Fixer la hotte à la lisière de bois à l'aide des vis n° 8-32 x 1/2 po fournies.

Utiliser des vis supplémentaires (et les ancrages de gypse si nécessaire) pour les 2 trous restants du bas.



## 7. RELIER LE COUVRE-CONDUITS (OPTIONNEL) À LA HOTTE

### Série AEWPD

Par l'intérieur de la hotte, relier les côtés et l'avant du couvre-conduits au dessus de la hotte, à l'aide des vis n° 8 x 3/8 po (incluses avec le couvre-conduits).

### ATTENTION

Si ce couvre-conduits est installé dans un environnement salin (ex: la côte), rincer à l'eau claire toutes les surfaces une fois par semaine (même si la hotte n'est pas utilisée), et essuyer complètement.



## 8. BRANCHEMENT ÉLECTRIQUE

### ⚠ AVERTISSEMENT

**Risque d'électrocution. Le raccordement électrique doit être effectué par du personnel qualifié conformément aux codes et standards. Avant d'effectuer le branchement, coupez l'alimentation électrique au panneau de service et verrouillez-le pour éviter une mise en marche accidentelle.**

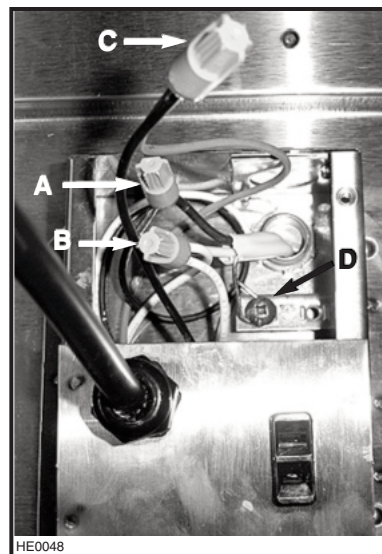
Perforer l'ouverture pré-amorcée située à l'arrière de la hotte.

Retirer le couvercle du boîtier électrique. Installer le serre-fils à l'arrière du boîtier électrique. Passer le câble d'alimentation dans la boîte électrique à travers le serre-fil. Serrer le serre-fils complètement pour sécuriser le câble d'alimentation. Effectuer le branchement à l'intérieur du boîtier électrique à l'aide des connecteurs étanches fournis.

Connecter le fil NOIR du câble d'alimentation électrique au NOIR provenant du panneau de contrôle de la hotte (A), tous les fils BLANCS ensembles (B), le fil NOIR du boîtier électrique au fil ORANGE du panneau électrique de la hotte (C), et le fil VERT ou DÉNUDÉ à la vis de mise à la terre (D). **NE PAS OUBLIER DE CONNECTER LA MISE À LA TERRE.** Remettre le couvercle du boîtier électrique.

#### MARCHE À SUIVRE POUR L'UTILISATION DES CONNECTEURS ÉTANCHES :

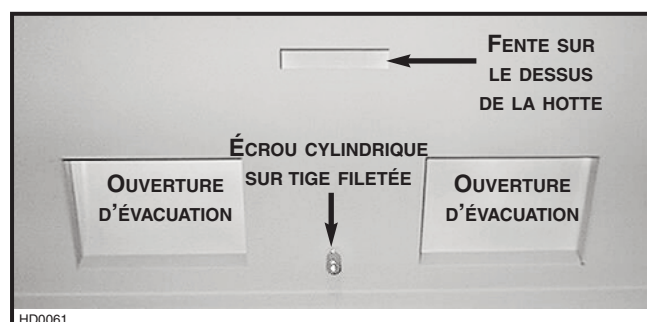
1. Dégainer les fils d'une longueur de 3/8 po.
2. Égaliser les brins ou les conducteurs.
3. Ne pas les tordre. Rapprocher les fils et mettre leurs bouts égaux, sauf pour les fils à brins plus petits, qui eux doivent dépasser légèrement les fils plus gros qu'eux.
4. Insérer les fils dans le connecteur en poussant fermement et tordre. **NE PAS trop tordre.**
5. Un peu de scellant pourrait s'échapper lors de l'insertion des fils dans un connecteur. Essuyer l'excès de scellant autour des conducteurs. **NE PAS RÉUTILISER.**



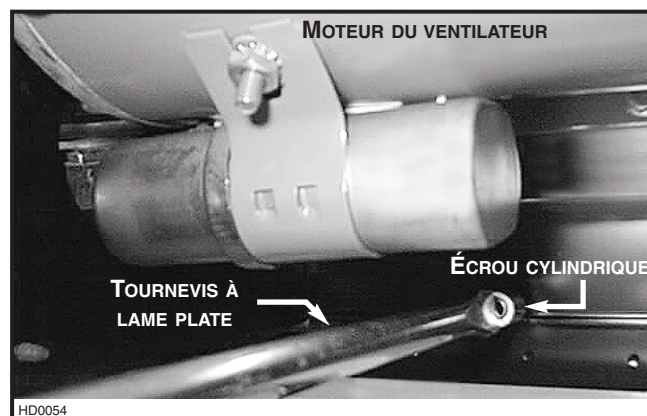
## 9. INSTALLATION DU VENTILATEUR

Engager l'écrou cylindrique (fourni avec le ventilateur) environ à mi-chemin sur la tige filetée située sur le dessus intérieur de la hotte.

Soulever le moteur à l'intérieur de la hotte, puis le glisser vers l'arrière de façon à engager la patte du moteur dans la fente du dessus de la hotte, et la tige filetée et son écrou dans la fente du moteur.



À l'aide d'un long tournevis à lame plate, visser complètement l'écrou à la tige filetée. Brancher le moteur à sa prise, à l'extérieur du boîtier électrique.



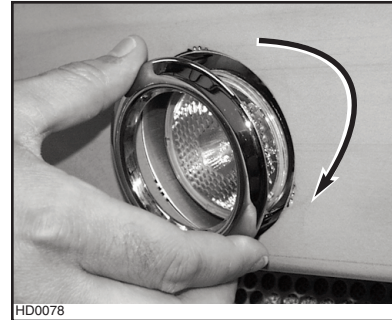
## 10. AMPOULES

Cette hotte utilise des ampoules halogènes avec écran 120V, 50W max., de type GU10 (incluses).

### **⚠ AVERTISSEMENT**

**Afin d'éviter le risque de blessures corporelles, ne pas installer une ampoule conçue seulement pour des luminaires fermés.**

1. Installer les ampoules en glissant leurs conducteurs dans leurs rainures, à l'intérieur des douilles. Pousser doucement vers le haut et tourner dans le sens des aiguilles d'une montre jusqu'à ce que les ampoules soient bien en place.
2. Installer les anneaux métalliques en poussant doucement vers le haut et les tournant dans le sens des aiguilles d'une montre, jusqu'à ce qu'ils soient bien en place.



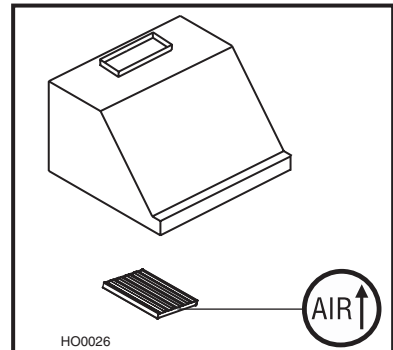
## 11. INSTALLATION DES FILTRES À CHICANE

### **ATTENTION**

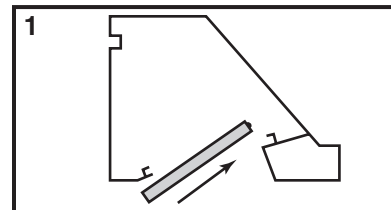
**Avant d'installer les filtres à chicane, retirer le plastique protecteur de ceux-ci.**

Il est recommandé d'installer d'abord les filtres situés aux extrémités et de terminer par le ou les filtres du centre.

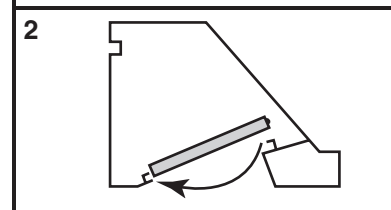
Une flèche verticale accompagnée du mot AIR apparaît sur le rebord des filtres. S'assurer d'installer les filtres de façon à ce que la flèche pointe vers l'intérieur de la hotte. Voir la figure ci-contre.



1. Insérer la partie supérieure du filtre à chicane dans la hotte.

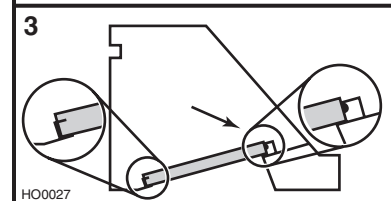


2. Faire pivoter la partie inférieure vers l'intérieur et pousser pour insérer l'attache arrière dans sa fente à l'arrière de la hotte.



3. Tout en poussant sur le filtre, le glisser sous sa pièce de retenue intérieure.

S'assurer que les filtres à chicane soient positionnés tel qu'illustré ci-contre afin que la graisse puisse se rendre facilement à la gouttière.



## 12. ENTRETIEN

### AVERTISSEMENT

**Avant de nettoyer ou de réparer l'appareil, couper l'alimentation électrique en verrouillant le panneau de service afin d'éviter sa remise en marche accidentelle. Si le panneau de service ne peut être verrouillé, y fixer un avertissement en évidence.**

Gouttière et filtres à chicane.

La gouttière et les filtres à chicanes doivent être lavés mensuellement. Utiliser de l'eau chaude additionnée de détergent. Les filtres à chicane peuvent être nettoyés au lave-vaisselle. Pousser les filtres à chicane vers l'intérieur de la hotte et les désengager de la gouttière pour ensuite les retirer.

Acier inoxydable : Comment maintenir son apparence étincelante et en prévenir la corrosion.

### ATTENTION

**Si cette hotte est installée dans un environnement salin (ex: la côte), rincer à l'eau claire toutes les surfaces une fois par semaine (même si la hotte n'est pas utilisée), et essuyer complètement.**

**À faire :**

- Laver régulièrement les surfaces à l'aide d'un chiffon ou linge propre imbibé d'eau tiède et de savon doux ou détergent à vaisselle.
- Toujours nettoyer dans la direction des lignes de grains (direction du polissage).
- Toujours bien rincer avec de l'eau propre (2 ou 3 fois) après le nettoyage et essuyer complètement.
- Un nettoyant domestique conçu spécialement pour l'acier inoxydable peut aussi être utilisé.

**À ne pas faire :**

- N'utiliser aucune laine d'acier ou d'acier inoxydable ou tout autre grattoir pour enlever la saleté tenace.
- N'utiliser aucune poudre nettoyante abrasive ou rugueuse.
- Ne pas laisser la saleté s'accumuler.
- Ne pas laisser la poussière de plâtre ou tout autre résidu de construction/rénovation atteindre la hotte. Couvrir la hotte pour la durée des travaux pour s'assurer qu'aucune poussière ne colle à la surface de l'acier.

**À éviter lors du choix d'un détergent :**

- Tous produits nettoyants qui contiennent des **agents de blanchiment**; ils attaqueront l'acier inoxydable.
- Tous produits contenant du **chlorure, fluorure, iode ou bromure**; ils détérioreront rapidement les surfaces.
- Tous **produits combustibles** utilisés pour le nettoyage : **acétone, alcool, éther, benzène**, etc.; ils sont hautement explosifs et ne devraient jamais être utilisés près d'une cuisinière.

## GARANTIE

### GARANTIE LIMITÉE D'UN AN DE BROAN-NUTONE LLC

Broan-NuTone LLC garantit à l'acheteur consommateur initial de ses produits qu'ils sont exempts de tous défauts dans les matières premières ou la main-d'œuvre, pour une période d'un an à compter de la date d'achat par le consommateur initial. IL N'Y A PAS D'AUTRES GARANTIES, EXPRIMÉES OU IMPLICITES, INCLUANT, MAIS NON LIMITÉES AUX GARANTIES IMPLICITES POUR FIN DE COMMERCIALISATION ET DE CONVENANCE DANS UN BUT PARTICULIER.

Durant cette période d'un an, Broan-NuTone LLC, à sa discrétion, réparera ou remplacera gratuitement, tout produit ou pièce qui s'avère défectueux et ayant été utilisé normalement et d'une manière non abusive.

Cette garantie ne couvre pas (a) l'entretien et le service normal ou (b) tout produit ou pièce endommagé par suite de mauvais usage, négligence, accident, entretien inapproprié ou réparation (autre que par Broan-NuTone LLC), mauvaise installation ou installation non conforme au mode d'installation recommandé.

La durée de toute garantie implicite est limitée à une période d'un an tel que spécifiée pour la garantie exprimée. Certains états ou provinces ne permettent pas de limite de temps sur les garanties implicites. Si tel est le cas, veuillez ne pas tenir compte de la dernière limite décrite ci-dessus.

**L'ENGAGEMENT DE BROAN-NUTONE LLC DE RÉPARER OU DE REMPLACER, AU CHOIX DE BROAN-NUTONE LLC, SERA LA SEULE OBLIGATION EXCLUSIVE SOUS CETTE GARANTIE. BROAN-NUTONE LLC NE SE TIENDRA PAS RESPONSABLE DES DOMMAGES DIRECTS, INDIRECTS OU SPÉCIAUX SURVENANT À CAUSE DE OU EN RAPPORT À L'UTILISATION OU LA PERFORMANCE DE SES PRODUITS. Certains états ou provinces ne permettent pas l'exclusion ou la limite relative aux dommages directs, indirects ou spéciaux. Si tel est le cas, veuillez ne pas tenir compte de l'exclusion ou de la limite ci-dessus.**

Cette garantie vous donne des droits légaux spécifiques et il se peut que vous ayez d'autres droits qui varient d'un état ou d'une province à l'autre. Cette garantie annule toutes les autres garanties précédentes.

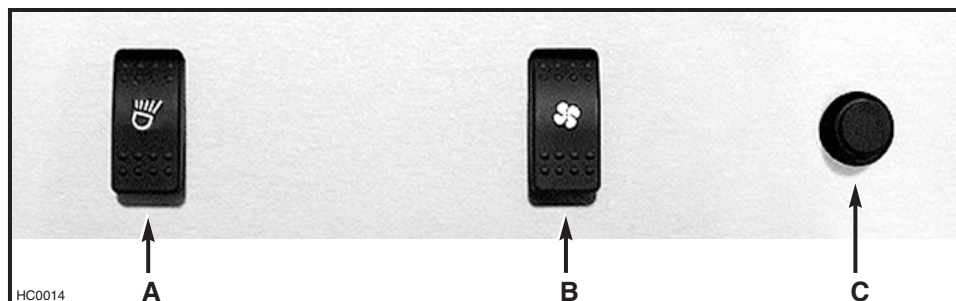
Pour le service sous garantie, vous devez (a) aviser Broan-NuTone LLC à l'adresse ou numéro de téléphone mentionnés plus bas, (b) donner le numéro du modèle et l'identification de la pièce et (c) décrire la nature de tout défaut dans le produit ou la pièce. Au moment de la demande de service sous garantie, vous devez présenter une preuve de la date d'achat initial du dit produit.

**Best by Broan®**, P.O. Box 140, Hartford, WI 53027 USA (1-800-637-1453)

**Best by Broan®**, 550 Lemire Blvd., Drummondville, QC J2C 7W9 CANADA (1-866-737-7770)

## 13. FONCTIONNEMENT

La hotte fonctionne à l'aide des (3) commandes situées sous son rebord inférieur avant.



A) Commande d'éclairage  
B) MARCHE/ARRÊT du ventilateur  
C) Contrôle de la vitesse du ventilateur

### A) COMMANDE D'ÉCLAIRAGE

L'interrupteur contrôle les lampes halogènes.

Utiliser des ampoules halogènes avec écran de type GU10, 50W, 120 volts (incluses).

### B) MARCHE/ARRÊT DU VENTILATEUR

L'interrupteur MARCHE/ARRÊT actionne le ventilateur à la vitesse pré-sélectionnée par le contrôle de vitesse. Le ventilateur doit être mis en marche et arrêté par cet interrupteur.

### C) CONTRÔLE DE LA VITESSE DU VENTILATEUR

Utiliser la commande du contrôle de la vitesse du ventilateur pour augmenter ou diminuer la ventilation du module. Pour augmenter la vitesse, tourner le bouton vers la gauche - pour diminuer la vitesse, tourner le bouton vers la droite.

### HEAT SENTRY

Votre hotte est équipée d'un capteur de température appelé HEAT SENTRY. Ce capteur activera automatiquement le ventilateur ou augmentera sa vitesse s'il détecte de la chaleur excessive au-dessus de la surface de cuisson.

- 1) Si le ventilateur n'est pas en marche, il met le ventilateur en marche en haute vitesse.
- 2) Si le ventilateur est en marche à une vitesse inférieure, il met le ventilateur en haute vitesse.

### AVERTISSEMENT

**Le HEAT SENTRY peut activer le ventilateur même si la hotte est arrêtée. Dans ce cas il est impossible d'arrêter le ventilateur avec le bouton d'arrêt du ventilateur. Pour éviter que le ventilateur ne démarre, couper l'alimentation électrique au tableau de distribution principal.**

Lorsque la température revient à la normale, la vitesse du ventilateur retourne à sa position originale. Tester toutes les commandes.

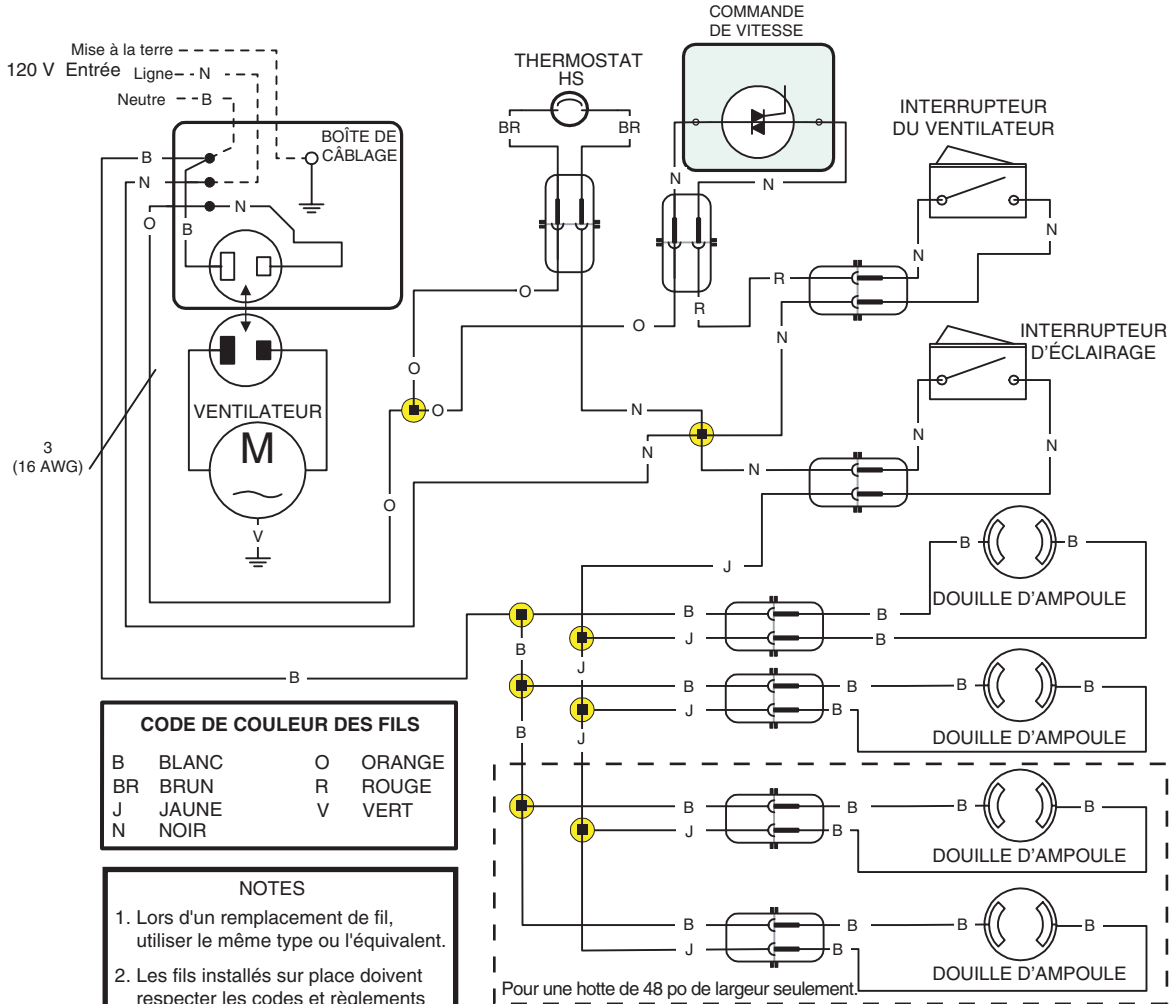
### UTILISATION DE LA HOTTE AVEC UN GRIL À GAZ MUNI D'UN COUVERCLE

En ouvrant le couvercle lors de la cuisson avec un gril à gaz, il peut se produire une réduction temporaire de captation de la fumée et des vapeurs de cuisson.

# 14. SCHÉMA ÉLECTRIQUE

## ⚠ AVERTISSEMENT

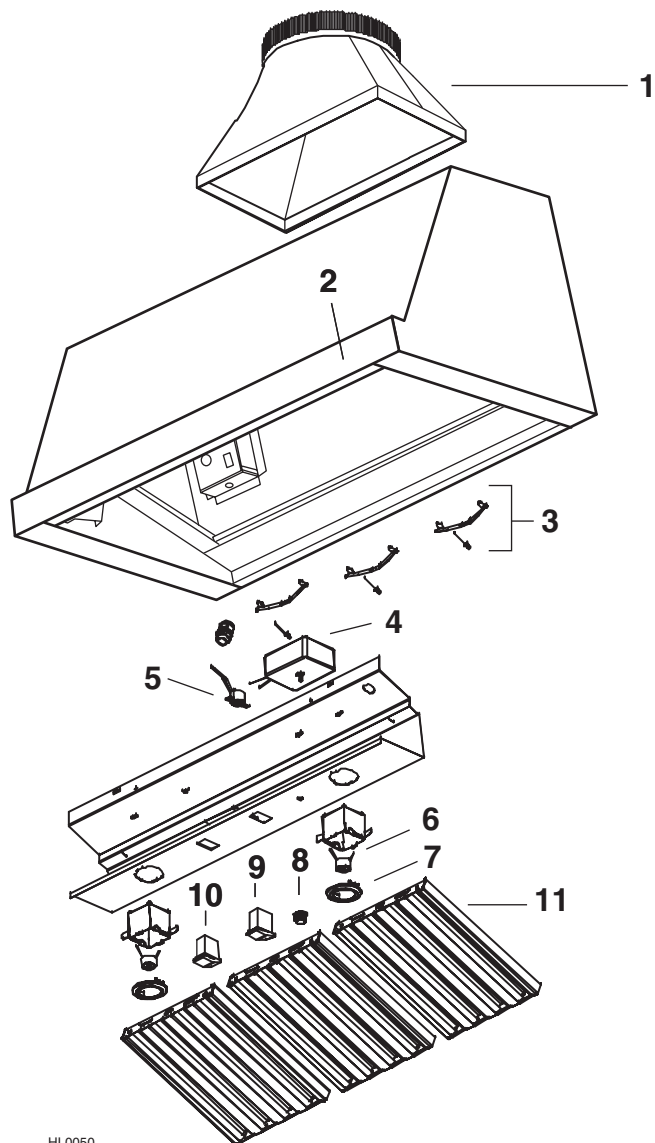
Risque d'électrocution. Le raccordement électrique doit être effectué par du personnel qualifié conformément aux codes et standards. Avant d'effectuer le branchement, coupez l'alimentation électrique au tableau de distribution principal et verrouillez-le pour éviter une mise en marche accidentelle.



HE0051F

# PIÈCES DE REMPLACEMENT

MODÈLE WPD28I



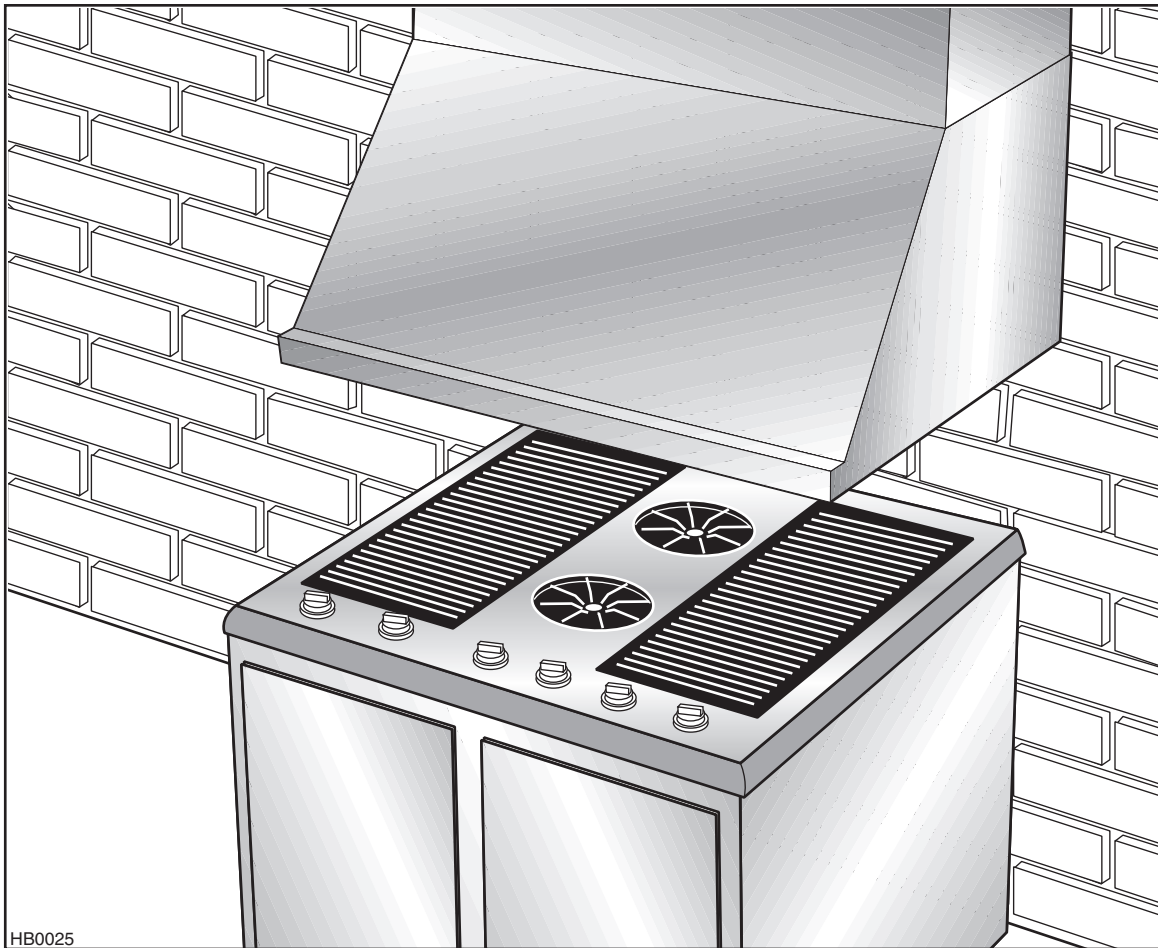
HL0050

RÉF. NO.	PIÈCE NO.	DESCRIPTION	LARGEUR	
			36"	48"
1	V03428	TRANSITION 9 PO X 18 PO À 10 PO RONDE	1	1
2	V05869	LOGO BEST	1	1
3	V15432	KIT ATTACHE FILTRE	3	4
4	V06364	POTENTIOMÈTRE	1	1
5	V06497	THERMOSTAT	1	1
6	V06498	ASSEMBLAGE DOUILLE POUR LAMPE GU-10	2	4
7	V02775	ANNEAU MÉTALLIQUE	2	4
8	V03504	BOUTON DE CONTRÔLE DE VITESSE DU VENTILATEUR	1	1
9	V06496	INTERRUPTEUR DU VENTILATEUR	1	1
10	V06495	INTERRUPTEUR D'ÉCLAIRAGE	1	1
11	V15422	FILTRE À CHICANE BEST 9,250 PO X 12,500 PO	3	4
*	V06332	HARNAIS ÉLECTRIQUE	1	-
*	V06933	HARNAIS ÉLECTRIQUE	-	1
*	V05921	AMPOULES HALOGÈNES (50W, 120 VOLTS, TYPE GU-10)	2	4
*	V06740	GUIDE D'INSTALLATION	1	1
*	V04216	SAC DE PIÈCES ((3) connecteurs étanches, (2) serre-fils LP16-AP, (8) vis n° 8 x 3/8 po, (8) vis n° 8 x 3/4 po, (4) vis standard n° 10-2 po, (2) ancrages de gypse, (2) rondelles)	1	1

\* Article non illustré.



**best**<sup>®</sup>  
by **BROAN**<sup>®</sup>



HB0025

## MODELO WPD28I

UTILIZABLE EN LUGARES HUMEDOS SOLO CUANDO ES INSTALADO EN EL CIRCUITO DE RED TIPO GFCI. DESTINADO POR UN PATIO EXTERIOR O UNA TENAZA.

**⚠ CONCEBIDO SÓLO PARA USO DOMÉSTICO ⚠**

### **LEER Y CONSERVAR ESTAS INSTRUCCIONES**

INSTALADOR: DEJAR ESTE MANUAL AL PROPIETARIO.  
PROPIETARIO: INSTRUCCIONES DE UTILIZACIÓN Y MANTENIMIENTO  
EN LAS PÁGINAS 33 Y 34.

En Estados Unidos - BEST BY BROAN<sup>®</sup> P.O. Box 140, Hartford, WI 53027 USA

En Canadá - BEST BY BROAN<sup>®</sup> 550 boul. Lemire, Drummondville, QC, J2C 7W9 CANADA

REGISTRE SU PRODUCTO EN LÍNEA EN: [www.bestbybroan.com/register](http://www.bestbybroan.com/register)

Para obtener más información, visitar nuestro sitio [www.bestbybroan.com](http://www.bestbybroan.com)

V06740 Rev. C

## **ADVERTENCIA**

### **PARA REDUCIR EL RIESGO DE INCENDIO, DESCARGA ELÉCTRICA O LESIÓN CORPORAL, RESPETE LAS SIGUIENTES INDICACIONES:**

1. Utilice este aparato únicamente de la forma en que indica el fabricante. Si tiene cualquier pregunta, comuníquese con el fabricante en la dirección o teléfono que aparecen en la garantía.
2. Antes de reparar o limpiar el aparato, apáguelo en el tablero de servicio y bloquee los medios de desconexión para impedir que la corriente se conecte accidentalmente. Cuando no se pueda bloquear los medios de desconexión, coloque un dispositivo de advertencia visible (como una etiqueta) en el tablero de servicio.
3. La instalación y la conexión eléctrica deben ser realizadas por personal competente, de acuerdo con todos los códigos y normas aplicables, incluso los relativos a la construcción ignífuga.
4. Para lograr una combustión adecuada y una extracción correcta de los gases a través de la salida del humo (chimenea) del equipo quemador de combustible —evitando así el contratiempo— es necesario disponer de aire suficiente. Siga las directrices del fabricante del equipo de material térmico y las normas de seguridad, como las que publica la NFPA (asociación de protección contra los incendios) y la ASHRAE (sociedad estadounidense de técnicos de calefacción, refrigeración y aire acondicionado) así como los códigos de los organismos responsables locales.
5. Al cortar o perforar la pared o el techo, procure no dañar el cableado eléctrico ni otras instalaciones de servicios públicos.
6. Los ventiladores entubados deben tener salida siempre al exterior.
7. No utilice este aparato con un dispositivo de control de velocidad con semiconductores.
8. Para reducir el riesgo de incendio, utilice sólo tuberías de acero.
9. Este aparato debe conectarse a tierra y ha de estar protegido con un disyuntor.
10. Adecuado para lugares húmedos cuando se instala en un circuito de derivación PROTEGIDO CON UN DISYUNTOR.
11. Este aparato no está pensado para utilizarse con una parrilla de carbón.

### **PARA REDUCIR EL RIESGO DE INCENDIO DE GRASA EN LA SUPERFICIE DE LA ESTUFA:**

- a) No deje nunca los aparatos de cocer sin vigilancia a fuego vivo. Los desbordamientos producen humo y derrames grasiendos que pueden inflamarse. Caliente el aceite despacio, a fuego lento o mediano.
- b) Ponga en marcha siempre la campana extractora al cocinar a temperaturas elevadas o al cocinar alimentos flameados (crepas Suzette, cerezas jubilee, res con pimienta flambeada).
- c) Limpie los ventiladores con frecuencia. No deje que la grasa se acumule en el ventilador ni en el filtro.
- d) Utilice cacerolas de tamaño apropiado. Emplee siempre un recipiente adecuado para el tamaño de la placa.

## **ADVERTENCIA**

### **PARA REDUCIR EL RIESGO DE LESIONES CORPORALES EN EL CASO DE QUE ARDA LA GRASA EN LA PARTE SUPERIOR DE LA COCINA, SIGA ESTAS INDICACIONES\*:**

1. SOFOQUE LAS LLAMAS con una tapa ajustada, una hoja o bandeja metálica para hornear galletas, y apague luego el quemador. **TENGA CUIDADO PARA EVITAR QUEMADURAS. SI LAS LLAMAS NO SE APAGAN INMEDIATAMENTE, EVACUE EL LUGAR Y LLAME A LOS BOMBEROS.**
2. **NO SUJETE NUNCA UN RECIPIENTE EN LLAMAS** ya que podría quemarse.
3. **NO USE AGUA**, ni trapos o toallas húmedas. Podría causar una violenta explosión de vapor.
4. Utilice un extintor **SOLAMENTE** si:
  - A. Tiene un extintor de tipo ABC y sabe usarlo.
  - B. El incendio es pequeño y está circunscrito a la zona donde empezó.
  - C. Ya ha llamado a los bomberos.
  - D. Puede tratar de apagar el fuego si dispone siempre de una salida detrás de usted.

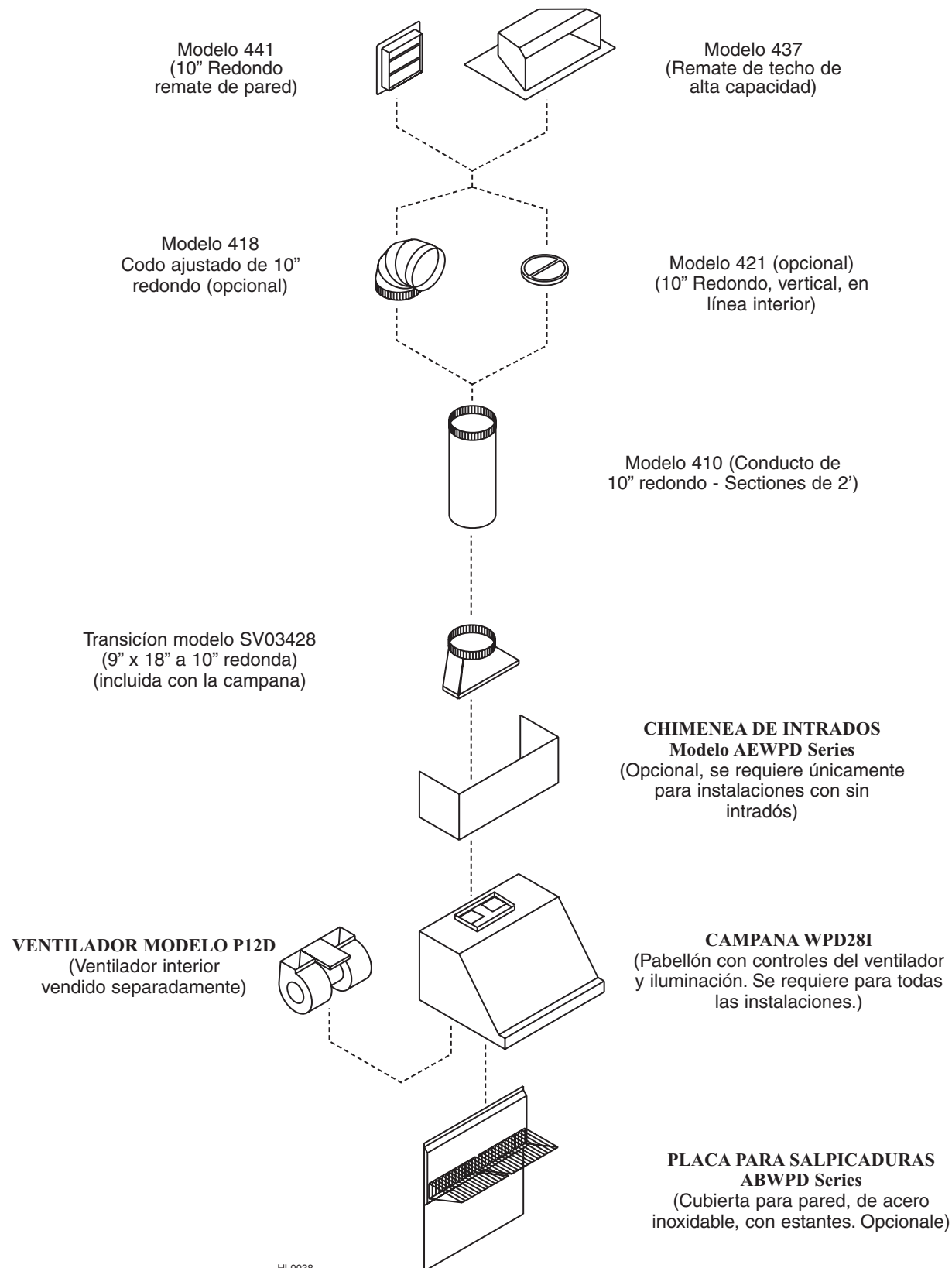
\*Fuente: "Kitchen Fire Safety Tips" publicado por la NFPA.

## **PRECAUCIÓN**

1. Sólo para uso de ventilación general. No se use para extraer materiales o vapores peligrosos o explosivos.
2. Para evitar daños al cojinete del motor y/o impulsores ruidosos o desequilibrados, mantenga la fuente de potencia lejos de rocíos de pared seca, de polvo de construcción, etc.
3. El motor del dispositivo tiene un dispositivo contra sobrecargas térmicas que apaga el motor en forma automática si éste se sobrecalienta. Si el motor apaga, dejar de cocción. El motor volverá arrancar cuando se enfríe. Si el motor sigue apagándose, haga verificar campana reciba servicio.
4. La distancia mínima entre la campana y la encimera debe ser de 30". Asimismo, se recomienda que dicha distancia no supere las 36" para obtener la máxima capacidad de absorción de la impurezas creadas la cocinar.
5. Se recomienda que la instalación la realicen dos personas, debido al tamaño y peso de esta campana.
6. A fin de reducir los riesgos de incendio y para bien evacuar el aire de salida, asegúrese de evacuar el aire al exterior – No evacue el aire en espacios limitados como el interior de las paredes o del techo o en el desván, falso techo o garaje.
7. Este producto está equipado de un termostato que puede hacer partir el ventilador automáticamente. Para evitar los riesgos de daño, apague la corriente del panel eléctrico y cierre con candado o afiche una advertencia en el panel para prevenir que la campana funcione automáticamente.
8. A causa de la gran capacidad de evacuación de este dispositivo, si utilizado al interior, usted debe asegurarse que suficiente aire entre en la casa para reemplazar el aire evacuado abriendo una ventana a el interior o cerca de la cocina por ejemplo.
9. Para reducir el riesgo de incendio y descarga eléctrica, el modelo WPD28I debe ser instalado solamente con el ventilador interior P12D (vendido separadamente). Otros ventiladores no pueden reemplazar a este ventilador.
10. Utilice sólo con un conjunto autorizado de conexión con cordón.
11. Lea la etiqueta de especificaciones en el producto para mayor información y requisitos.

# MODELO WPD28I

## SISTEMA DE DISPOSITIVO



HL0038

# 1. INSTALE LOS CONDUCTOS

Este unidad ha sido creada para ser utilizado con una unidad de cocimiento exterior eléctrico o a gas en una terraza cubierta. Como todo aparato eléctrico, este dispositivo debe ser protegida lo mas posible del tiempo inclemente.

## ⚠ ADVERTENCIA

**Este unidad no es diseñado por una utilización con un asado.**

El modelo Best WPD28I debe ser instalado unicamente con ventilador interior P12D (vendido separadamente). Otros ventiladores no pueden reemplazar a este ventilador.

Planifique dónde y como se van a colocar los conductos.

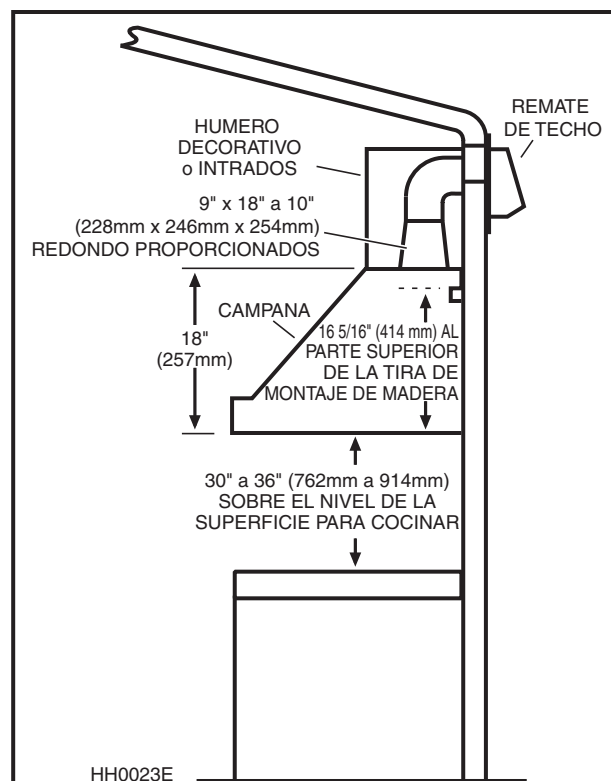
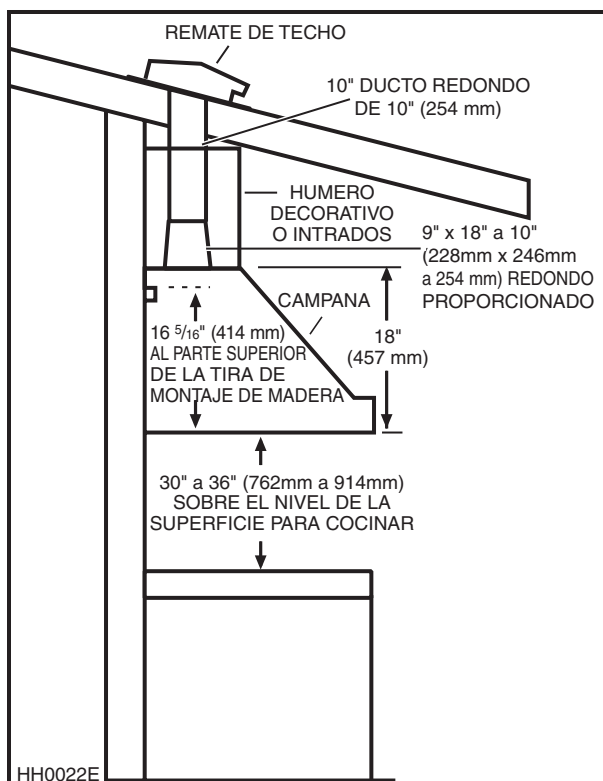
Instale los conductos de acero galvanizado de 10", codo(s) y remate la pared o el techo adecuado para el tipo de ventilador que esté usando. Utilice cinta adhesiva a conducto para asegurarse estanquidad de las coyunturas.

**La distancia mínima entre la campana y la encimera debe ser de 30". Asimismo, se recomienda que dicha distancia so supere las 36" para obtener la máxima capacidad de absorción de las impurezas creadas al cocinar.**

Lleve el cable de alimentación hasta la ubicación de la instalación.

## ⚠ ADVERTENCIA

**El cable de alimentación debe ser una red de circuito a protección GFCI.**



## 2. PREPARE LA INSTALACIÓN

Asegúrese que los artículos siguientes están incluidos :

- La campana
- La tira de madera
- El manual de instalación
- Transition (9" x 18" a 10" redonda)
- La caja de accesorios que incluye:
  - Filtros deflectores (3 o 4 según las dimensiones de la campana)
  - Lámparas (120 V, 50 W, tipo GU10, halógenas con pantalla) (2 o 4 según las dimensiones de la campana)
  - Anillos de cromo (2 o 4 según las dimensiones de la campana)
  - Bolsa de piezas que incluye:
    - (3) conectores de cable resistentes al agua, (2) alambres eléctricos, (8) tornillos #8 x 3/8" (no utilizar), (8) tornillos #8 x 3/4", (4) tornillos #10 - 2" estándar, (2) anclajes de pared, (2) arandelas.
    - Deshacerse de artículo sin utilizar.

Piezas separadas:

- Ventilador interior P12D
  - Conductos, codos, compuertas de tiro, remates de pared o de techo.
- Consultar la página 27 para la lista completa de los accesorios de ventilation y los números de modelo.

NOTA: Durante la instalación, proteger la encimera y / ó la superficie para cocinar.

## 3. INSTALE LA PLACA PARA SALPICADURAS (OPCIONAL)

### **ABWPD Series**

La placa para salpicaduras se debe instalar antes que la campana debido a que este cubre los tornillos de montaje de la placa para salpicaduras. Para instalar la placa para salpicaduras, asegúrese de tener 18" (457 mm) entre debajo de la campana y el panel de control de la cocina o encima de la cocina. (Vea las instrucciones incluidas con la placa para salpicaduras.)

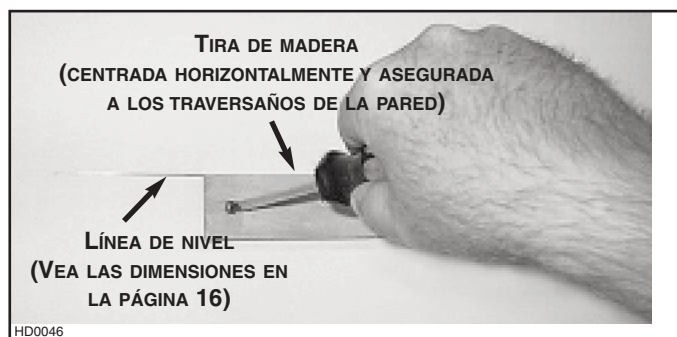
### **PRECAUCIÓN**

**Si la placa para salpicaduras este instalada en un medio ambiente salino (por ejemplo una costa), enjuague todas la surperficie una vez para semana con agua limpia (aunque la campana esta no utilizada) y seque completamente la superficie.**

## 4. INSTALE LA TIRA DE MADERA

En la pared, mida y marque una línea de nivel para la tira de montaje de madera por encima de la posición de la superficie para cocinar (vea las dimensiones en las ilustraciones en la página 28).

Centre la tira de madera (proporcionada) sobre esta posición. Asegure la tira de madera al entramado o a los travesaños de la pared con tornillos n.º 10-2" para madera (proporcionados) como se indica.



### **PRECAUCIÓN**

**Debido al peso de la campana, asegúrese de que la tira de madera esté montada directamente a todos los travesaños de la pared disponibles (el entramado de la pared), (un mínimo de dos travesaños para una campana de 36", más por una más larga); no sólo a la pared sin refuerzo.**

## 5. INSTALE LA TRANSICIÓN

Instale la transición (incluida) en la parte superior de la campana.

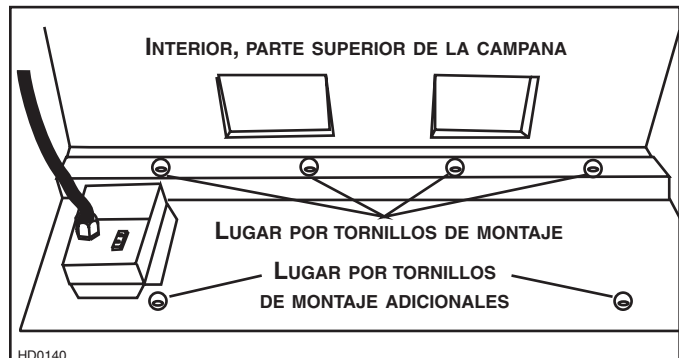
Use cinta para conductos para que todas las juntas sean seguras y herméticas.



## 6. INSTALE LA CAMPANA

Levante la campana sobre la tira de madera coloque la transición en el conducto redondo de 10". Centre la campana en su posición y sostengala contra el fondo del intradós o el humero. Asegure la campana a la tira de madera con los tornillos de montaje n.º 8-32 x 1/2" (proporcionados).

Use los demás tornillos de montaje n.º 8 x 3/4" (y taquetes, si son necesarios) a través los agujeros inferiores.



## 7. CONECTAR EL HUMERO DECORATIVO EN LA CAMPANA (OPCIONAL)

### **AEWPD2 Series**

Desde el interior de la campana, conecte el humero a la parte superior de la campana a los lados y al frente de la campana usando tornillos n.º 8 x 3/4" (incluidos con el humero decorativo).

### **PRECAUCIÓN**

Si el humero decorativo este instalado en un medio ambiente salino (por ejemplo una costa), enjuague todas la surperficie una vez para semana con agua limpia (aunque la campana esta no utilizada) y seque completamente la superficie.



## 8. CONEXIÓN ELÉCTRICA

### ⚠ ADVERTENCIA

**Peligro de choque eléctrico. La instalación eléctrica debe ser hecha por personal calificado de acuerdo con todos los códigos aplicables y normas. Antes de efectuar el empalme, cortar la alimentación eléctrica del interruptor y cerrar con seguridad para prevenir una alimentación accidental.**

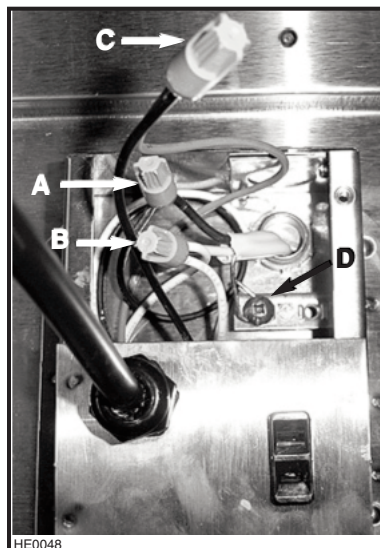
Abra el agujero ciego situarse en la parte posterior de la campana.

Saque la tapa de la caja eléctrica. Inserte uno alambre eléctrico en la parte trasera de la caja eléctrica. Pase el cable eléctrico en el alambre de la caja eléctrica. Apriete el alambre eléctrico para mantener el cable eléctrico en su posición. Conecte los cables a la caja eléctrica utilizando los conectores de cable resistentes al agua incluidos.

Conecte el cable NEGRO desde el cable eléctrico al cable NEGRO desde el tablero de mandos de la campana (A), todos los cables BLANCOS juntos (B), el cable NEGRO desde la caja eléctrica al cable NARANJA desde el tablero de mandos de la campana (C), y el VERDE ó el desnude al el tornillo que toma de tierra (D). **JAMÁS DEBE OLVIDARSE DE CONECTAR LA TOMA DE TIERRA.** Reemplace la tapa de la caja eléctrica.

#### INSTRUCCIONES POR LA UTILIZACIÓN DE LOS CONECTORES RESISTENTES AL AGUA:

1. Pelar los cables 3/8".
2. Alinear los filamentos o conductores separados.
3. NO retocer de antemano. Colocar los cables pelados juntos y con la puntas parejas, pero adelantando un poco al cable con el filamento más pequeño.
4. Retocer el conector sobre los cables, empujando con fuerza hasta quede ajustado NO retocer en forma excesiva.
5. Puede ser que un poco de sellador escaparse cuando la inserción de los cables en un conector. Retirar el sobrante del sellador que rodea a los conductos. NO REUSAR.



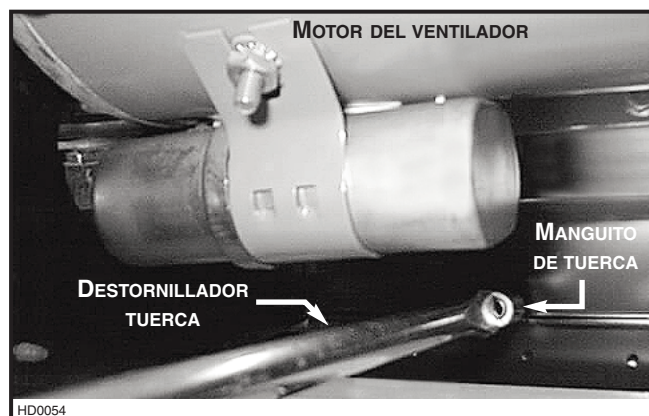
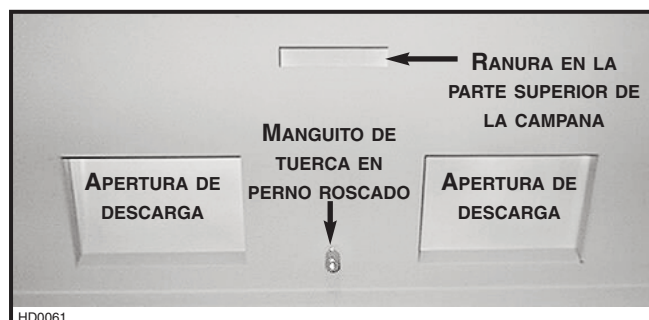
## 9. INSTALE EL VENTILADOR

Asegúrese de que el manguito (incluido con el ventilador) esté insertado a medio camino de la tuerca roscada. Levante el ventilador hasta parte superior de la campana de modo que la descarga del ventilador coincida con las aperuras de descarga en la campana.

Acople la lengüeta en el ventilador con la ranura en la parte superior de la campana y la ranura del ventilador con el manguito de tuerca en el perno roscado.

Empuje el ventilador hacia la parte posterior de la campana para acoplar por completo.

Use un destornillador plano largo para apretar firmemente el manguito de tuerca. Colocar el motor en el receptáculo de la caja de cableado.



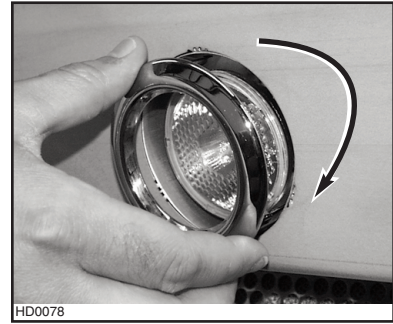
## 10. LUCES HALÓGENAS

Este dispositivo debe utilizar bombillas halógenas con pantalla de 120V, 50W, de tipo GU10 (incluidas).

### ⚠ ADVERTENCIA

**Para evitar riesgos de heridas corporales, no instale una lámpara concebida sólo para portalámparas cerrados.**

1. Instale las bombillas colocando sus conductores en las ranuras dentro del casquillo, empuje suavemente hacia arriba y gire en el sentido de las agujas de un reloj hasta que queden fijadas.
2. Vuelva a instalar los anillos empujando suavemente en ellos hacia arriba y girándolos en el sentido de las agujas de un reloj hasta que queden fijos.



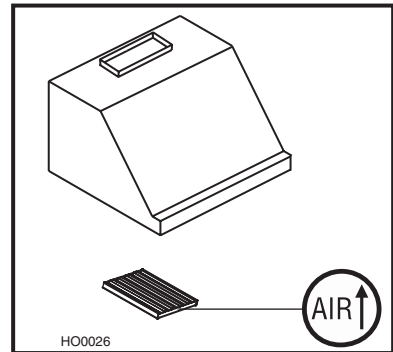
## 11. INSTALACIÓN DE LOS FILTROS DEFLECTORES

### PRECAUCIÓN

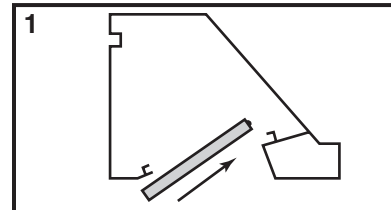
**Retire la película protectora de plástico que cubre los filtros deflectores antes de instalarlos.**

Se aconseja instalar los filtros laterales primero y hacer después lo propio con el central.

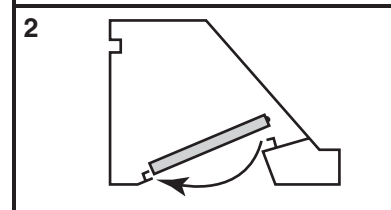
En el extremo del filtro hay una flecha vertical con la palabra AIR. Asegúrese de instalar los filtros deflectores con la flecha señalando hacia la parte interior de la campana. Véase la figura de la derecha.



1. Introduzca el extremo superior del filtro deflector en el dispositivo.

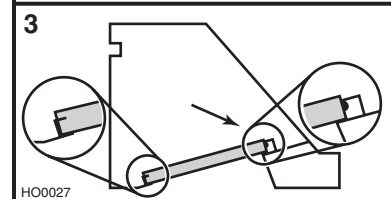


2. Levante el extremo inferior del filtro deflector para colocarlo en el interior de la unidad y presione para introducir la mordaza posterior dentro de la ranura que hay en la parte posterior del deflector.



3. A la vez que presiona el filtro deflector, colóquelo bajo la pieza de retención interior.

Compruebe que los filtros deflectores están situados tal como aparecen en las figuras de la derecha para que la grasa llegue fácilmente al conducto de la grasa.





## 12. MANTENIMIENTO

### ADVERTENCIA

**Antes de limpiar o poner en servicio la unidad, apague el interruptor en el panel de servicio, y asegure el panel de servicio para evitar que se encienda accidentalmente. Cuando el dispositivo para desconectar el servicio eléctrico no puede ser cerrado con algún tipo de traba, sujete fuertemente al panel de servicio, una etiqueta de advertencia prominente.**

Canal y filtros deflectores: el canal y los filtros deflectores deben ser limpiados mensualmente. Use agua tibia y una solución de detergente. Los filtros deflectores se pueden lavar en el lavaplatos.

Empuje los filtros deflectores hacia el interior y libérelos del canal para que en seguida los retire del dispositivo.

Acero inoxidable: como mantener una apariencia brillante y ayudar a prevenir la corrosión.

### PRECAUCIÓN

**Si la campana esta instalada en un medio ambiente salino (por ejemplo una costa), enjuague todas la superficie una vez para semana con agua limpia (aunque esta campana esta no utilizada) y seque completamente la superficie.**

#### Lo que debe hacer:

- Lavar regularmente la superficie con un trapo o un paño empapado de agua tibia y de jabón suave o detergente a vajilla.
- Siempre limpie en el sentido de las líneas originales de pulimento.
- Siempre enjuague bien con agua limpia (2 a 3 veces) después de haber limpiado seque completamente la superficie.
- Usted puede utilizar un limpiador doméstico hecho especialmente para el acero inoxidable.

#### Lo que no debe hacer:

- No utilice ninguna lana de acero o de acero inoxidable o todo otro raspador para quitar la suciedad tenaz.
- No utilice ningún limpiador en polvo abrasivo o riguroso.
- No deje la suciedad acumularse.
- No deje el polvo de yeso o todo otro residuo de construcción que caiga en la campana, cúbrala durante el trabajo para asegurarse que en ningún caso el polvo se pegue a la superficie del acero.

#### A evitar cuando elige un detergente:

- Todos los productos de limpieza que contienen **agentes de blanqueo**; van a deteriorar el acero inoxidable.
- Todos los productos que contienen **cloruro, fluoruro, yoduro o bromuro**; estos deterioran rápidamente las superficies.
- Todos los **productos combustible** utilizados para la limpieza: **acetona, alcohol, éter, benzol**, etc...; son extremadamente explosivos y no deben ser utilizados cerca de una cocina.

## GARANTÍA

### BROAN-NUTONE LLC GARANTÍA LIMITADA POR UN AÑO

Broan-NuTone LLC garantiza al consumidor comprador original de sus productos que dichos productos carecerán de defectos en materiales o en mano de obra por un período de un año a partir de la fecha original de compra. NO EXISTEN OTRAS GARANTÍAS, EXPRESAS O IMPLÍCITAS, INCLUYENDO, PERO NO LIMITADAS A, GARANTÍAS IMPLÍCITAS DE COMERCIALIZACIÓN O ACTITUD PARA UN PROPOSITO PARTICULAR.

Durante el período de un año, y a su propio criterio, Broan-NuTone LLC reparará o reemplazará, sin costo todo producto o pieza que se encuentre defectuosa bajo condiciones normales de servicio y uso.

Esta garantía no cubre (a) mantenimiento y servicios normales o (b) cualquier productos o piezas que hayan sido mantenidas o reparadas en inapropiadamente (por otras compañías que sea Broan-NuTone LLC), instalación defectuosa, o instalación no conforme a las instrucciones de instalación recomendadas.

La duración de cualquier garantía implícita se limita a un periodo de un año como se especifica en la garantía expresa. Algunos estados no permiten limitaciones en cuanto al tiempo de expiración de una garantía implícita, por lo que la limitación antes mencionada puede no aplicarse a usted.

LA OBLIGACIÓN DE BROAN-NUTONE LLC DE REPARAR O REEMPLAZAR, SIGUIENDO EL CRITERIO DE BROAN-NUTONE LLC DEBERÁ SER EL ÚNICO Y EXCLUSIVO RECURSO LEGAL DEL COMPRADOR BAJO ESTA GARANTÍA. BROAN-NUTONE LLC NO SERÁ RESPONSABLE POR DAÑOS ACCIDENTALES, CONSIGUIENTES, O POR DAÑOS ESPECIALES SURGIDOS O EN CONEXIÓN CON EL USO O EL RENDIMIENTO DEL PRODUCTO. Algunos estados no permiten la exclusión o limitación de daños accidentales o consiguientes, por lo que la limitación antes mencionada puede no aplicarse a usted.

Esta garantía le proporciona derechos legales específicos, y usted puede también tener otros derechos, los cuales varían de estado a estado. Esta garantía reemplaza todas las garantías anteriores.

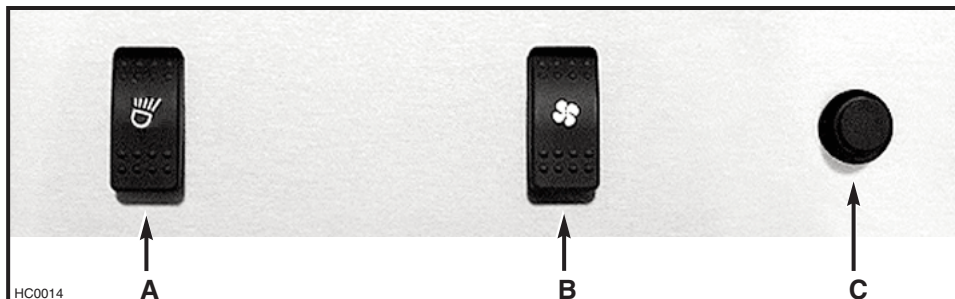
Para calificar en el servicio de garantía, usted debe (a) notificar a Broan-NuTone LLC al uno domicilio o telefono que menciona abajo, (b) dar el número del modelo y la identificación de la pieza y (c) describir la naturaleza de cualquier defecto en el producto o pieza. En el momento de solicitar servicio cubierto por la garantía, usted debe presentar evidencia de la fecha original de la compra.

**Best by Broan®**, P.O. Box 140, Hartford, WI 53027 USA (1-800-637-1453)

**Best by Broan®**, 550 Lemire Blvd., Drummondville, QC J2C 7W9 CANADA (1-866-737-7770)

## 13. FUNCIONAMIENTO

La campana funciona utilizando los 3 controles que se encuentran debajo del borde frontal de la campana.



- A) Interruptor de luz  
B) Interruptor de encender / apagar ventilador  
C) Control de velocidad del ventilador

### A) INTERRUPTOR DE LUZ

El interruptor de encender/apagar controlan las luces halógenas.-Utilice bombillas halógenas con pantalla GU10, 50W, 120 V (vendidas por separado).

### B) INTERRUPTOR DE ENCENDER / APAGAR EL VENTILADOR

El interruptor encender / apagar del ventilador enciende el ventilador a la velocidad predeterminada por el control de velocidad. Se debe encender y apagar el ventilador con este interruptor.

### C) CONTROL DE VELOCIDAD DEL VENTILADOR

Utilice el control de velocidad del ventilador para aumentar la velocidad o disminuir la ventilación de la superficie para cocinar. Gira el control hacia la izquierda para aumentar la velocidad del ventilador, y hacia la derecha para disminuirla.

### HEAT SENTRY

Su dispositivo esta equipado con Heat Sentry. Este termostato tiene un mecanismo que se encenderá ó acelerará el ventilador si se detecta un calor excesivo encima de la cocina.

- 1.-Si el ventilador esta apagado - el se prenderá a una velocidad máxima.
- 2.-Si el ventilador esta encendido a una velocidad mínima - el se prenderá a una velocidad máxima.

### ADVERTENCIA

**HEAT SENTRY puede comenzar a funcionar al igual si el dispositivo este parada. En este caso, es imposible parar el ventilador con los interruptores. Si usted para la campana, halago a partir del panel eléctrico principal.**

Cuando la temperatura disminuye a un nivel normal, el ventilador vuelve a la función de origen.

Compruebe todos los interruptores de la campana.

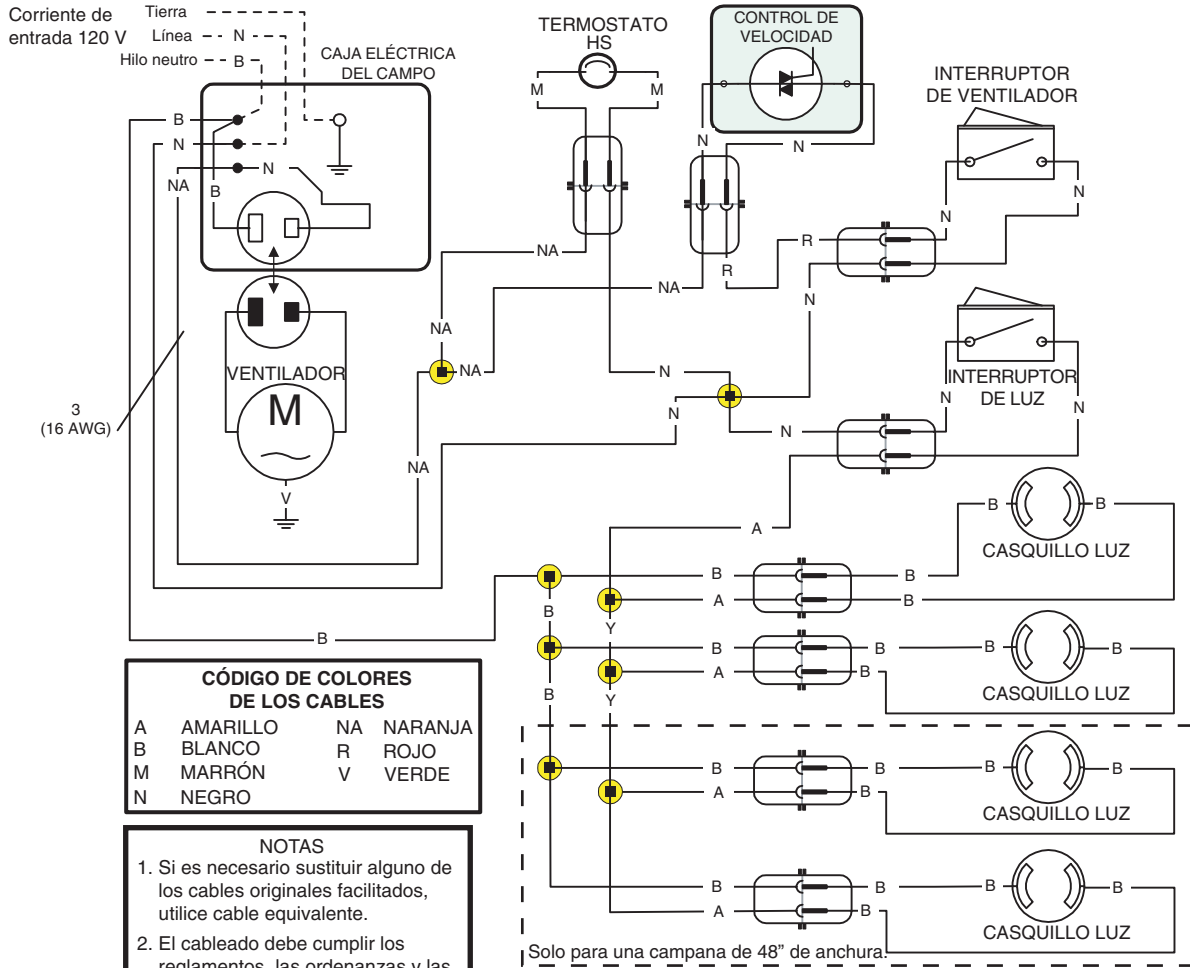
### UTILISACIÓN DE LA CAMPANA CON UNA PARILLA CON TAPA

Cuando abriendo la tapa de vuestra parilla, pueden observar una reducción de la captación del humo y el vapor.

# 14. ESQUEMA ELÉCTRICO

## ⚠ ADVERTENCIA

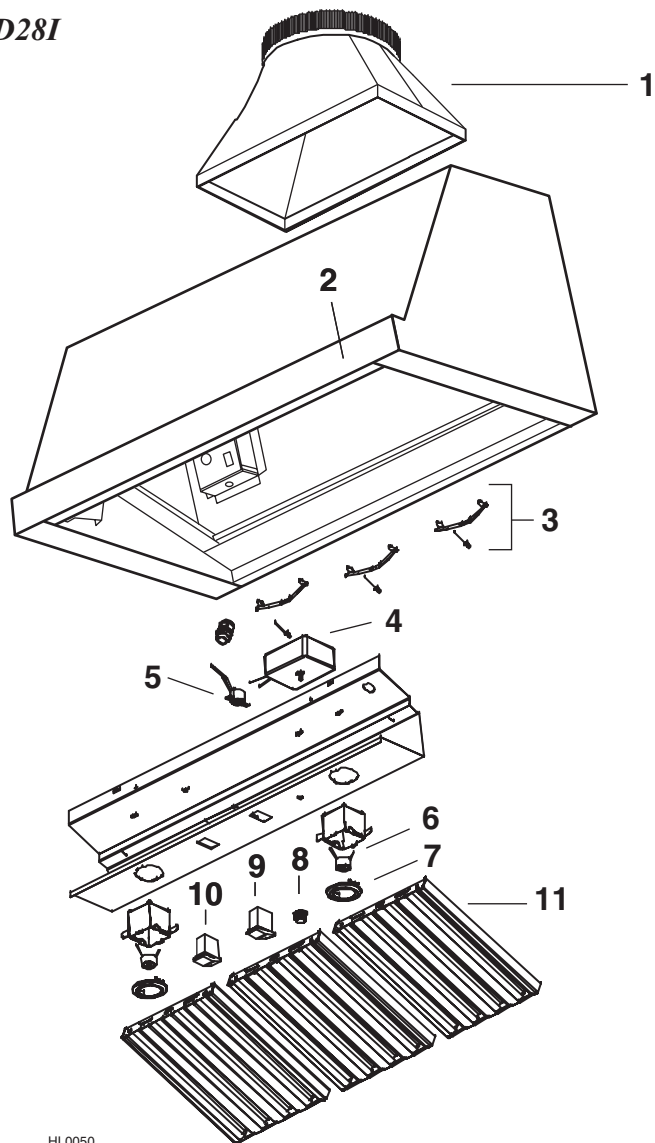
**Peligro de choque eléctrico. La instalación eléctrica debe ser hecha por personal calificado de acuerdo con todos los códigos aplicables y normas. Antes de efectuar el empalme, cortar la alimentación eléctrica del interruptor y cerrar con seguridad para prevenir una alimentación accidental.**



HE0051E

# REPUESTOS

MODELO WPD28I



HL0050

N.º	N.º DE PIEZA	DESCRIPCIÓN	ANCHURAS	
			36"	48"
1	V03428	CAMBIO DE SECCIÓN 9" X 18" A 10" REDONDO	1	1
2	V05869	LOGO DE BEST	1	1
3	V15432	KIT GRAPA FILTROS	3	4
4	V06364	POTENCIÓMETRO	1	1
5	V06497	TERMOSTATO	1	1
6	V06498	CASQUETE DE LUZ GU-10	2	4
7	V02775	ANILLO METALICO	2	4
8	V03504	BOTÓN VENTILADOR	1	1
9	V06496	INTERRUPTOR VENTILADOR	1	1
10	V06495	INTERRUPOR DE LUZ	1	1
11	V15422	FILTRO DEFLEC. BEST 9.250" x 12.500"	3	4
*	V06332	KIT HILOS ELÉCTRICOS	1	-
*	V06933	KIT HILOS ELÉCTRICOS	-	1
*	V05921	LAMPARAS HALÓGENAS (50W, 120 VOLTIOS, TIPO GU-10)	2	4
*	V06740	MANUAL DE INSTALACIÓN	1	1
*	V04216	BOLSA DE INSTALACIÓN: ((3) conectores de cable resistentes al agua, (2) alambres eléctricos LP16-AP, (8) tornillos N.º 8 x 3/8", (8) tornillos N.º 8 x 3/4", (4) tornillos N.º 10 - 2" estándar, (2) anclajes de pared, (2) arandellas)	1	1

\* Este componente no se muestra.



7 72371 08404 9

## Free Manuals Download Website

<http://myh66.com>

<http://usermanuals.us>

<http://www.somanuals.com>

<http://www.4manuals.cc>

<http://www.manual-lib.com>

<http://www.404manual.com>

<http://www.luxmanual.com>

<http://aubethermostatmanual.com>

Golf course search by state

<http://golfingnear.com>

Email search by domain

<http://emailbydomain.com>

Auto manuals search

<http://auto.somanuals.com>

TV manuals search

<http://tv.somanuals.com>