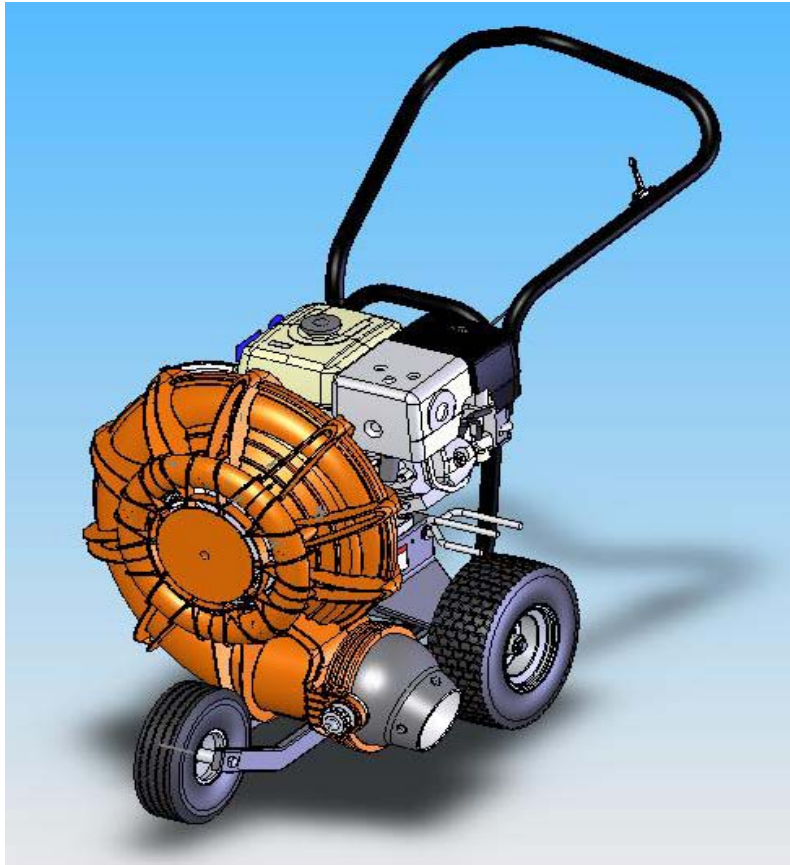





440140 PARKING BRAKE KIT



BILLY GOAT FORCE BLOWER Parking Brake Manual

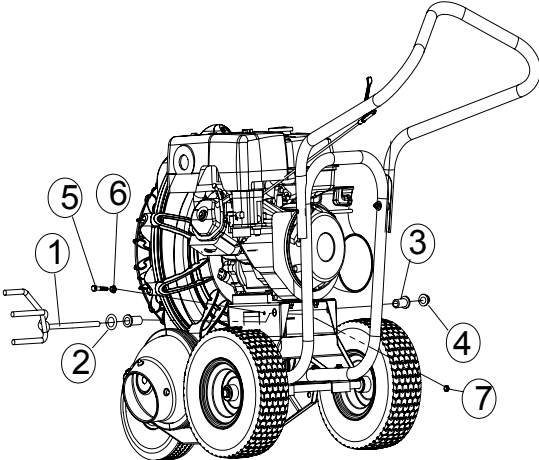
<p>PARKING BRAKE <i>Effective and Easy to use.</i></p> 
<p>P/N 440140</p>



440140 PARKING BRAKE KIT

ASSEMBLY

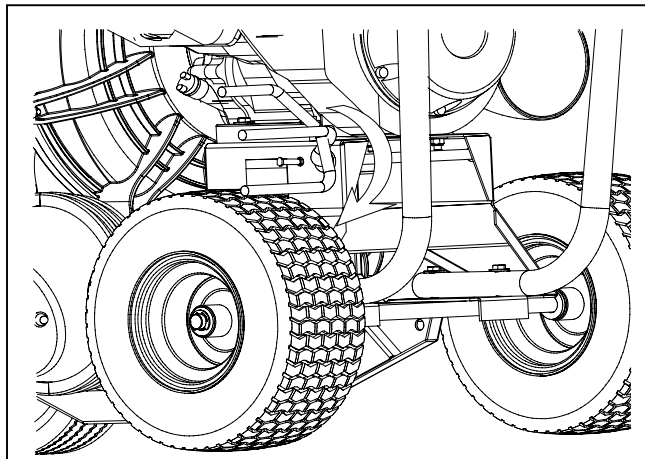
To install parking brake, first install the bushings (item #3) into the rear holes located on the base next to the rear wheels (see figure below). Next place a washer (item #2) on the fork shaft, against the stop washer. Then gently push shaft through the bushings and hole until it rests against stop washer. Finally place pal nut (item #4) on opposing end. To install stop bolt, place washer face nut (item #6) on screwcap (item #5) until nut reaches the end of the threads. Next insert the screwcap into the hole located in front of the brake and use the nut lock (item #7) on the interior and tighten it.



Parts List

	Part No.	Description	Qty
1	440143	ROD BRAKE WA	1
2	8172011	WASHER 1/2 SAE	1
3	500130	BUSHING SHIFTER	2
4	840089	NUT PAL 1/2	1
5	8041012	SCREWCAP 1/4-20X2 1/2 ZP	1
6	900453	NUT LOCK 1/4-20 WASH FACE	1
7	8160001	NUT LOCK 1/4-20	1
	440140	PARKING BRAKE KIT	1

To apply parking brake, simply rotate forks to till they rest against the back end of the tire. Place once foot on top fork and gently put downward pressure on the fork while carefully pushing unit forward. The forward motion of the tire will help to roll the forks into a fixed position. To remove from braking position pull unit backwards rotating the tire, which will rotate the forks away from locked position on wheel.



Free Manuals Download Website

<http://myh66.com>

<http://usermanuals.us>

<http://www.somanuals.com>

<http://www.4manuals.cc>

<http://www.manual-lib.com>

<http://www.404manual.com>

<http://www.luxmanual.com>

<http://aubethermostatmanual.com>

Golf course search by state

<http://golfingnear.com>

Email search by domain

<http://emailbydomain.com>

Auto manuals search

<http://auto.somanuals.com>

TV manuals search

<http://tv.somanuals.com>