



Holmes Products (Europe) Ltd  
1 Francis Grove  
London SW19 4DT  
England

Fax: +44 (0)20 8947 8272  
Email: info-europe@theholmesgroup.com  
UK - Filter Sales Order Line - 0870 759 9000  
Website address: www.theholmesgroup.com/europe  
UK - Free phone Customer Service Helpline - 0800 052 3615

Holmes Products France  
1015, Rue du Maréchal Juin  
Z.I Vaux - Le - Pénil  
77000 Melun - France  
Phone: +33 1 64 10 45 80  
Fax: +33 1 64 10 02 32

FRANCE - SERVICE CONSOMMATEURS

0 825 85 85 82

Belgium	+32 38 70 86 86
Czech Republic	+420 48 513 03 03
Denmark	+45 45 93 43 73
Finland	+358 98 70 870
Greece	+30 2 10 61 56 400
Hungary	+36 72 482 017
Netherlands	+31 793 41 77 71
Norway	+47 51 66 99 00
Poland	+48 22 847 8968
Russia	+7 095 334 82 21
Spain	+34 91 64 27 020
Sweden	+46 31 29 09 80



BAP422IUK04EM1

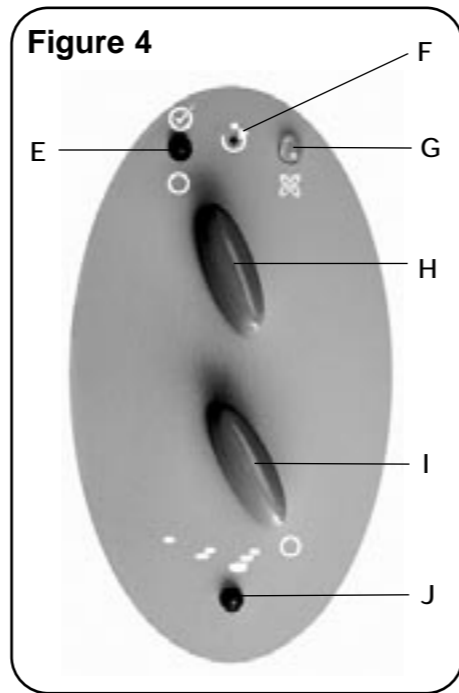
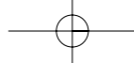
BIONAIRE™

Air Purifier

BAP422



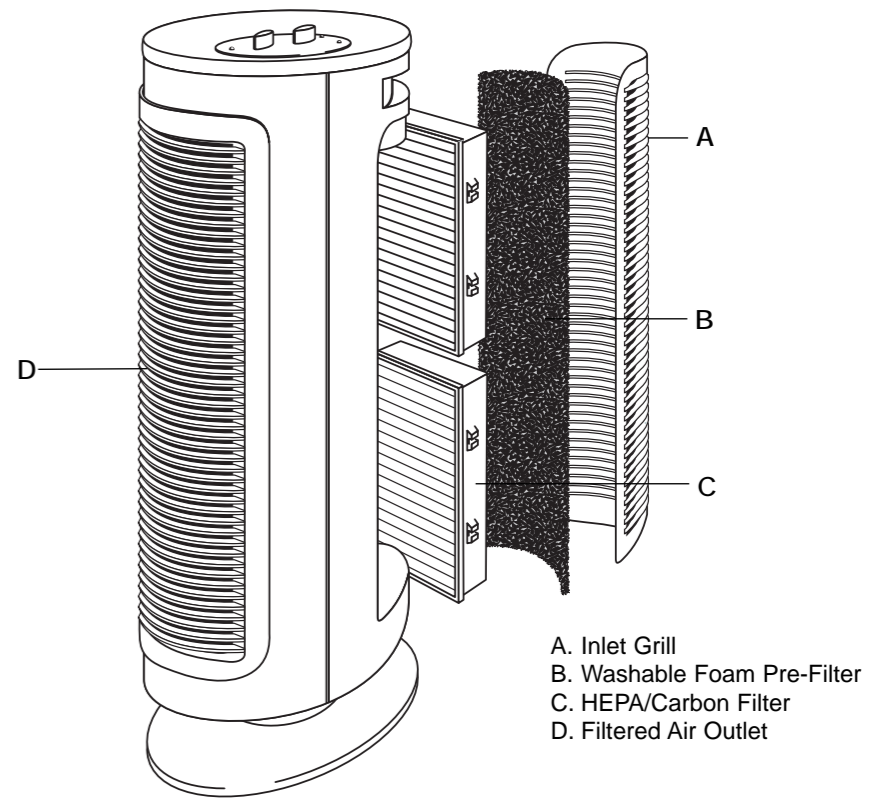
INSTRUCTION MANUAL



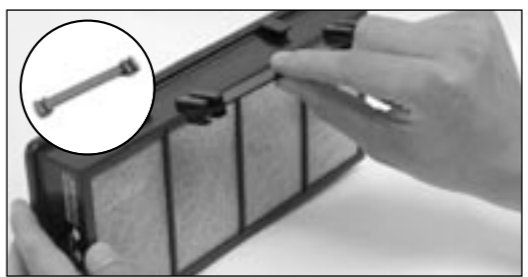
- E. Filter Indicator Light
- F. Reset Button
- G. Ionizer Light
- H. Ionizer Control
- I. Speed Control
- J. Power Light

# BAP422

## Figure 1



## Figure 2



## Figure 3



## U.K. and IRELAND

### PLEASE READ AND SAVE THESE IMPORTANT INSTRUCTIONS.

With proper care and use, this Bionaire™ air purifier will give you fresh, clean air for many years.

NOTE: Before reading these instructions, please view the corresponding illustrations.

### DESCRIPTIONS (SEE FIG 1/4)

- A. Inlet Grill
- B. Washable Foam Pre-Filter
- C. HEPA/Carbon Filter
- D. Filtered Air Outlet
- E. Filter Indicator Light
- F. Reset Button
- G. Ionizer Light
- H. Ionizer Control
- I. Speed Control
- J. Power Light

### SAFETY PRECAUTION

Carefully read and retain all instructions before using the air purifier.

- To avoid fire or shock hazard, check that the voltage on the product corresponds to your electricity supply and plug directly into an electrical outlet.
- To avoid fire hazard, never put the cord under rugs, or near any heat source.
- Carefully discard any plastic wrapping that was used for the packaging.
- Do not use the air purifier outside.
- Do not place the unit near any heat source or in direct sunlight.
- Always unplug the air purifier before removing the grill, changing the filters, cleaning the air purifier or whenever it is not in use.
- Do not use in or around water or any other liquids. Do not attempt to wash the unit under running water.
- Use appliance only for intended household use as described in this manual.
- Ensure that all air openings are not restricted or covered in any way.
- Do not place anything on top of the unit.
- Never insert any object into any openings.
- Do not use the air purifier if any part is missing or damaged in any way.
- Do not attempt to repair or adjust any mechanical functions of this unit. If the unit becomes damaged return to the place of purchase or phone the helpline number on the back of this leaflet.

- If the supply cord or plug is damaged, it must be replaced by the manufacturer or its service agent or a similarly qualified person in order to avoid hazard.
- The air purifier contains no user serviceable parts and should the product suffer damage or breakdown it must be returned to the manufacturer or its service agent.
- Should the air purifier stop working, first check the fuse in the plug (UK only) or fuse/circuit breaker at the distribution board is operating, before contacting the manufacturer or service agent.

### HOW THE AIR PURIFIER WORKS

Dirty, dust laden air is drawn through the back of the air purifier and through the multi-stage filtration system.

1. The carbon filter will help clear odours making the air cleaner and fresher.
2. The HEPA filter entraps 99% of all smaller visible and non-visible particles down to 2 microns in size.

### PRODUCT FEATURES

#### Filter Life Indicator

Your air purifier has an indicator light that illuminates when its time to change the filters.

#### Ioniser

Your Bionaire™ Air Purifier has an independently controlled ioniser, which when turned on, releases negative ions into the outgoing filtered air. Ions are tiny particles that carry either a positive or negative charge. These ions exist naturally all around us in the air, water and ground. Both positive and negative ions are colourless, odourless and completely harmless.

Negative ions help the air purification process by attaching themselves to very small airborne particles in the room. These particles take on a negative charge and may join with positively charged particles, such as dust, pollen, smoke and pet dander to form larger particles that are then more readily captured by the filter system, or they may be attracted to positively charged surfaces like walls or floors.

You may also note, after extended use, that dust may have collected around the grills or front panel.

This is from the ionisation effect caused by the negative ions exiting from the air outlet. This dust does not come from the air output, but is drawn out of the uncleaned air going past the air outlet.

This is additional evidence of the air cleaning effectiveness of negative ions. The dust can be easily removed with a clean, dampened cloth or soft brush.

**NOTE:** it is important to change the HEPA filter at recommended intervals. Using the ioniser in conjunction with dirty filters may result in dirty

particles exiting the air purifier and being attracted to walls, carpets, furniture and other household objects. These dirty particles may prove very difficult to remove.

### PRE-OPERATING INSTRUCTIONS

1. After removing the unit from the box, remove the plastic covering from the unit.
2. Select a firm level place where there are no obstructions to the air inlet (front grill) or filtered air outlet.
3. Remove the inlet grill by pulling the grill towards you.
4. Remove both HEPA filters by gripping on both sides and pulling forward.
5. Remove protective plastic bag from each filter cartridge. The filter clip can only be attached to the hang tabs on the filter one way (see fig 3). The filter clip should easily slide onto the filter hang tabs. Do not use force whilst attaching the filter clip to the filter. Align the clip on the HEPA filter with the rails on the inside of the unit.
6. Replace the inlet grill by sliding back on to the unit. Make sure that it snaps securely into position (the grill only goes on one way).

**NOTE:** The pleated material and rubber gasket should be facing towards the unit when applied.

**NOTE:** Do not point outlet towards wall.

### OPERATING INSTRUCTIONS

1. Plug into a suitable 220 – 240V electrical outlet.
2. Select the required operating Speed: Hi (☞), Medium (☛), Low (☚) by sliding the switch to the appropriate setting.
3. To release negative ions into the filtered air slide the ioniser button (☒) to ON. The amber light will illuminate.
4. The ioniser will not work unless the unit is running.
5. For optimum air filtration, it is recommended to operate the air purifier continuously. Its rugged motor is designed to give many years of service.
6. For continuous use it is recommended to operate the air purifier at the Medium (☛) setting. For quieter operation or use in a bedroom, select the Low (☚) setting. When high levels of air pollution are present, select the HI (☞) setting to quickly circulate clean filtered air.

### CLEANING AND MAINTENANCE

1. Turn the air purifier off and unplug it before cleaning.
2. The outside of the air purifier can be cleaned with a soft, clean dampened cloth.
3. The filtered air outlet can be cleaned of dust with a small, soft brush.
4. If you wish to clean the inside of the air purifier, please only use a dry, soft cloth to wipe it down.

### FILTER REPLACEMENT

**IMPORTANT:** IN ORDER TO RETAIN THE EFFICIENCY OF YOUR AIR PURIFIER, THE HEPA FILTER NEEDS TO BE CHANGED EVERY 6 MONTHS.

1. Every few weeks check the condition of the pre-filter.
2. Remove the inlet grill. If the foam pre-filter has collected a noticeable amount of dust, remove it from the inlet of the grill and wash it in warm soapy water. Rinse and dry the pre-filter thoroughly before replacing it in the inlet of the grill.
3. With the inlet grill removed, remove the HEPA cartridge and dispose in the dustbin. DO NOT try to wash and re-use the HEPA filter. Replace with a new HEPA filter-BAPF30 removing the protective plastic bag before inserting into the air purifier.
4. Align the clips on the side of your HEPA filter with the rails on the inside of the unit. Gently slide the filter onto the rails.
5. The filter clip should easily slide onto the filter hang tabs. Do not use force while attaching the filter clip to the filter. Align the clip on the side of your HEPA filter with the rails on the inside of the unit.
6. Replace the inlet grill by sliding back on to the unit. Make sure that it snaps securely into position (the grill only goes on one way)
7. After replacing the HEPA filters, RESET the Filter Life Indicator by inserting a small object (such as a pin or paper clip) into the hole marked RESET (☉).

### REPLACEMENT FILTERS

BAPF30 HEPA Filter (usage 2 pcs)

The Holmes Group reserves the right to change or modify any specifications without notice.

For U.K. and Ireland only:

If the plug is not suitable for the socket outlets in your home, it can be removed and replaced by a plug of the correct type. Please refer to "Installation of a plug" below.

Installation of a plug Applicable to U.K. and Ireland.

This product is fitted with a 13A plug complying to BS1363. If this plug is unsuitable or needs to be replaced, please note the following:

The wires in the mains lead are coloured as such:

BROWN - LIVE

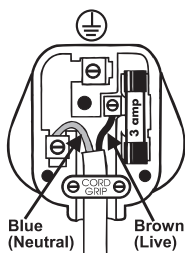
BLUE - NEUTRAL

Please note that the colour of these mains wires may not correspond with the colour markings that identify the terminals in your plug. Please proceed as follows:

The BROWN coloured wire must be connected to the terminal, which is marked with the letter "L" or is coloured RED.

The BLUE coloured wire must be connected to the terminal, which is marked with the letter "N" or is coloured BLACK.

DO NOT CONNECT either of these wires to the earth terminal in the plug. The earth terminal plug is marked with the letter "E", or with the earth symbol, ⊕ or coloured GREEN, or GREEN and YELLOW.



NOTE: If the terminals in the plug are not marked or if you are unsure or in doubt about the installation of the plug please contact a qualified electrician.

If a 13A 3-pin plug is fitted, it must be an ASTA approved plug, conforming to BS1363 standard. Replacement 3A fuses must be BSI or ASTA BS1362 approved.

TROUBLESHOOTING	
Problem	Solution
Unit will not operate.	<p>Check to make sure the unit is plugged in.</p> <p>Check to make sure the unit is on by turning the knob.</p> <p>Make sure the filters are properly installed and firmly close the door.</p>
Decreased air flow.	<p>If the filters have not been changed for 6 month or more, change the HEPA filters.</p> <p>Check to ensure nothing is blocking the air inlet and filtered air outlet.</p>

#### GUARANTEE

PLEASE KEEP YOUR RECEIPT AS THIS WILL BE REQUIRED FOR ANY CLAIMS UNDER THIS GUARANTEE.

- This appliance is guaranteed for 2 years.
- In the unlikely event of breakdown from a manufacturing related fault, please return it to the place of purchase, with your till receipt and a copy of this guarantee.
- The rights and benefits under this guarantee are additional to your statutory rights which are not affected by this guarantee.
- The Holmes Group undertakes within the specified period, to repair or replace free of charge, any part of the appliance found to be defective from a manufacturing fault provided that:
  - We are promptly informed of the defect.
  - The appliance has not been altered in any way or subjected to misuse or repair by a person other than a person authorised by The Holmes Group.
- Faults that occur through normal wear and tear are not covered by this guarantee.
- No rights are given under this guarantee to a person acquiring the appliance second hand or for commercial or communal uses.
- Any repaired or replaced appliance will be guaranteed on these terms for the remaining portion of the guarantee.

THIS PRODUCT IS MANUFACTURED TO COMPLY WITH THE E.E.C. DIRECTIVES 73/23/EEC, 89/336/EEC and 98/37/EEC.

## Free Manuals Download Website

<http://myh66.com>

<http://usermanuals.us>

<http://www.somanuals.com>

<http://www.4manuals.cc>

<http://www.manual-lib.com>

<http://www.404manual.com>

<http://www.luxmanual.com>

<http://aubethermostatmanual.com>

Golf course search by state

<http://golfingnear.com>

Email search by domain

<http://emailbydomain.com>

Auto manuals search

<http://auto.somanuals.com>

TV manuals search

<http://tv.somanuals.com>