

BIONAIRE
cool mist
humidifier
MODEL BCM1745



Read instructions before operating.
Retain for future reference.

Instruction Leaflet

INFO-LINE

If after having read this leaflet, you have any questions or comments on your humidifier, call 1-800-253-2764 in North America.

▲ HUMIDIFIER SAFETY

PLEASE READ AND SAVE THESE IMPORTANT SAFETY INSTRUCTIONS

IMPORTANT SAFEGUARDS

When using electrical appliances, basic safety precautions should always be followed to reduce the risk of fire, electric shock, and injury to persons, including the following:

1. Read all instructions before using the appliance.
2. To avoid fire or shock hazard, plug the appliance directly into a 120V AC electrical outlet.
3. Keep the cord out of heavy traffic areas. To avoid fire hazard, NEVER put the cord under rugs or near heat registers.
4. DO NOT place humidifier near heat sources such as stoves, radiators, and heaters. Locate your humidifier on an inside wall near an electrical outlet. The humidifier should be at least 4' away from the wall for best results.
5. NEVER place humidifier in an area where it is accessible to children. NEVER use humidifier in a closed room, particularly where a child may be sleeping, resting, or playing (a closed room may result in excessive humidity).
6. **WARNING:** Do not attempt to refill humidifier without first unplugging the unit from its electrical outlet. Failure to heed this warning may cause personal injury. Be sure to unplug the unit by pulling on the plug and not the cord.
7. Never place anything over moisture outlet when the unit is running.
8. NEVER drop or insert any object into any openings unless instructed in this manual.
9. DO NOT operate any appliance with a damaged cord or plug, after the appliance malfunctions, or if it has been dropped or damaged in any manner. Return appliance to manufacturer for examination, electrical or mechanical adjustment, or repair.
10. Use appliance only for intended household use as described in this manual. Any other use not recommended by the manufacturer may cause fire, electric shock, or injury to persons. The use of attachments not recommended or sold by the manufacturer may cause hazards.
11. DO NOT use outdoors.
12. Always place humidifier on a firm, flat, level surface. A waterproof mat or pad is recommended for use under the humidifier. NEVER place it on a rug or carpet, or on a finished floor that may be damaged by exposure to water or moisture.
13. DO NOT allow the Moisture Outlet to directly face the wall. Moisture could cause damage, particularly to wall paper.

14. Humidifier should be unplugged when not in use.
15. NEVER tilt, move, or attempt to empty unit while it is operating. Shut off and unplug before removing the water tank and moving the unit.
16. This humidifier requires daily and weekly maintenance to operate appropriately. Refer to daily and weekly cleaning procedures. Use only cleaners and additives recommended by the manufacturer.
17. NEVER use detergents, gasoline, glass cleaner, furniture polish, paint thinner, or other household solvents to clean any part of the humidifier.
18. Excessive humidity in a room can cause water condensation on windows and some furniture. If this happens, turn the humidifier OFF.
19. Do not use humidifier in an area where humidity level is in excess of 50%. Use a hygrometer, available at your local retailer or through the manufacturer, to measure the humidity.
20. DO NOT attempt to repair or adjust any electrical or mechanical functions on this unit. Doing so will void your warranty. The inside of the unit contains no user serviceable parts. All servicing should be performed by qualified personnel only.
21. Never place housing under water flow or immerse in liquids.
22. Do not plug in the cord with wet hands: electric shock could result.
23. Do not pour water in any openings other than the water tank.
24. To prevent damage to surfaces, do not place humidifier under overhanging surfaces.
25. NEVER operate unit without water in the tank.
26. Use both hands when carrying full tank of water.
27. Never unplug unit while it is running as arcing may occur and cause injury. Use power switch to turn off unit before unplugging.

PLEASE SAVE THESE INSTRUCTIONS

CONSUMER SAFETY INFORMATION



THIS PRODUCT IS EQUIPPED WITH A POLARIZED AC PLUG (a plug having one blade wider than the other). This plug will fit into the power outlet only one way. If the plug does not fit fully into the outlet, reverse the plug. If it still does not fit, contact qualified personnel to install the proper outlet.

DO NOT DEFEAT THE SAFETY PURPOSE OF THIS POLARIZED PLUG IN ANY WAY.

PLEASE READ AND SAVE THESE IMPORTANT SAFETY INSTRUCTIONS

CONSUMER SAFETY INFORMATION

NOTE: This is an electrical appliance and requires attention when in use.

NOTE: If moisture forms on the walls or windows of the room, turn off the humidifier. The room already has plenty of humidity and additional moisture may cause damage.

NOTE: DO NOT block air inlet or outlet.

CORD AND PLUG INSTALLATION SAFETY INSTRUCTIONS

The length of cord used on this appliance was selected to reduce the hazards of becoming tangled in, or tripping over a longer cord. If a longer cord is necessary an approved extension cord may be used. The electrical rating of the extension cord must be equal to or greater than the rating of the humidifier. Care must be taken to arrange the extension cord so that it will not drape over the countertop or tabletop where it can be pulled on by children or accidentally tripped over.

HOW COOL MIST WORKS

Your Bionaire® Cool Mist humidifier draws dry air through the rear air intake grill area. This air is then passed through a moisture-laden wick filter, which retains the minerals and deposits in the water. The resulting moist air is directed back into the room from the top air grill.

NOTE: This humidification system provides a cool, invisible moisture output. It is normal not to see the mist.

NOTE: A humidity level below 20% can be unhealthy and uncomfortable. The recommended humidity level is between 40%-50%.

PRE-OPERATING INSTRUCTIONS:

1. Be sure the unit is disconnected from the electrical outlet and the power switch is in the OFF position.
2. Lift off the humidifier housing and the water tank (see Fig. 1). Check to see that the circular, extended life filter is installed correctly around the filter supports in the base (see Fig. 2). Replace the humidifier housing.
3. Twist off the tank cap by turning counter-clockwise and fill the water tank with cool, tap water. Replace the tank cap by firmly turning clockwise and then replace the

water tank on the base. THE TANK WILL IMMEDIATELY EMPTY ABOUT A QUARTER OF THE WATER INTO THE BASE OF THE HUMIDIFIER (the humidifier tank and base hold about 1.4 gallons).
NOTE: The BCM1745 produces a clean, cool, INVISIBLE moisture. It is normal not to see the moisture. To reach the maximum water capacity, remove and fill the tank a second time after it finishes emptying into the base. Replace the tank onto the base. A small amount of water may empty into the base.

4. Plug the power cord into the electrical outlet.

OPERATING INSTRUCTIONS:

1. Move the Humidity Control Switch to the HI position. Move the Humidity Control to the LO setting to lower the humidification rate. Allow up to 30 minutes for the filter to fully absorb water and the unit to produce the maximum moisture output.

NOTE: We recommend the use of the hygrometer which reads the actual humidity level in your room. A humidity level below 20% can be unhealthy and uncomfortable. The recommended humidity level is between 40% to 50%.

Figure 1

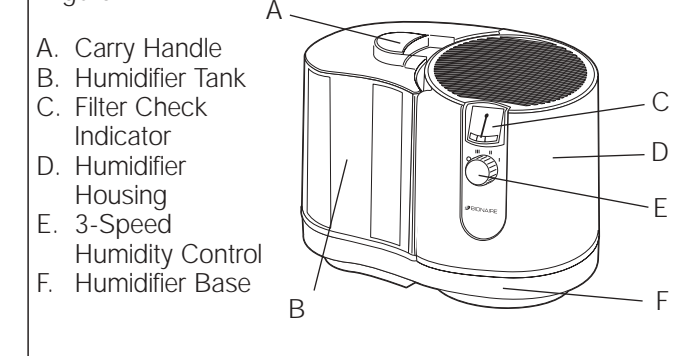
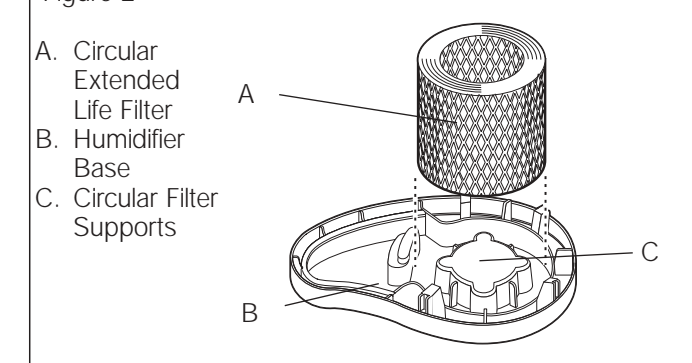


Figure 2



2. When the water tank is empty and the water in the base is almost empty, you need to refill the tank. The fan will continue to run to help dry the humidifier. Shut off and unplug the unit. Please follow the Daily Cleaning Instructions. Filter Check™ (located on the front of the housing near the grill) will let you know when the filter needs replacing. Refill the tank as directed in Pre-Operating Instructions.
3. Plug into the electrical outlet. Turn the power ON.

IMPORTANT:

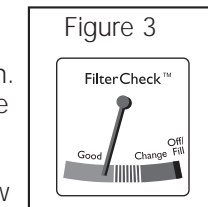
If you do not plan to use your humidifier for two or more days, make sure any residual water is drained from the water tank, base and wick filter to prevent any algae or bacteria growth in stagnant water.

NOTE: This humidifier holds about 1.4 gallons of water between the tank and the base and will produce up to 3 gallons of moisture over a 24-hour period, depending on the room humidity and temperature.

REPLACING THE FILTERS

Through normal use, water borne minerals and sediment become trapped in the wick filter. The harder your water, the greater the amount of minerals in the water, and the more often you will need to change your filter.

You will be able to monitor the life of the filter in your humidifier by checking the Filter Check™ Indicator. When the unit is off, the Filter Check™ Indicator will read in the OFF position. After 60 minutes of use, Filter Check™ Indicator (refer to Figure 3 for close-up of indicator) will move from the OFF position and indicate your filter condition. A brand new filter will register in the blue section reading GOOD filter. After frequent use of your humidifier, the Filter Check™ Indicator will let you know when the filter needs to be changed.



When the needle is in the CHANGE section, this means the proper amount of moisture is not getting into your air due to the excessive minerals and sediment that have become trapped on your filter. At this point, you should replace your filter. It is important to change your filter as indicated to obtain stated performance level.

TO REPLACE THE FILTER, FOLLOW THE STEPS BELOW:

1. Be sure the humidifier is switched OFF and disconnected from the electrical outlet.
2. Remove the tank and main housing to access the base tray (see Figures 1 and 2).
3. Discard the old filter and follow weekly cleaning instructions.

4. Insert a new filter into the filter support in the base (Figure 2).
5. Replace the main housing and then the tank.
6. Repeat Operating Instruction steps.

NOTE: You can purchase replacement filters (model BWF64) at a local retailer, by calling 1-800-253-2764, filling out the accessory card, or by visiting www.bionaire.com It is recommended that a replacement filter is purchased for uninterrupted use.

CLEANING AND MAINTENANCE:

Humidifiers provide comfort by adding moisture to dry, heated indoor air. To get the most benefit from the humidifier and avoid product misuse, follow all instructions carefully, specifically the operation, care and maintenance guidelines. Please note this is an electrical appliance and requires attention when in use.

In addition, if you do not follow the recommended care and maintenance guidelines, micro-organisms may be able to grow in the water within the humidifier's reservoir.

Daily Maintenance:

1. Before cleaning, set control to the OFF position and unplug the unit from the electrical outlet.
2. Lift off the tank and the housing of the humidifier.
3. Carry the base and the tank to the sink, remove the wick filter, then drain and rinse the base and tank thoroughly to remove any sediment or dirt. Wipe clean, and dry with a clean cloth or paper towel.
4. Put the filter back in the filter supports, replace the housing, then refill the tank with cool tap water as instructed in Pre-Operating Instructions. Do not overfill.
5. If moisture forms on walls or windows, turn off the humidifier. Weekly Maintenance:

Weekly Maintenance:

To Remove Scale

1. Repeat steps 1-3 above and remove the circular wick filter.
2. Clean the base by partially filling the base with one-8 oz. Cup of undiluted white vinegar. Let solution stand 20 minutes, cleaning all interior surfaces with a soft brush. Dampen a cloth with undiluted white vinegar and wipe out entire base to remove scale.
3. Rinse with clean warm water to remove scale and the white vinegar solution before beginning to disinfect the tank.

To Disinfect Tank:

1. Fill tank with 1 teaspoon of chlorine bleach and 1 gallon of water.
2. Let the solution stand for 20 minutes, swishing every few minutes, wet all surfaces.

3. Empty the tank after 20 minutes, and rinse well with water until the bleach smell is gone. Dry with a clean cloth or paper towel.
4. Check the Filter Check™ Indicator to see if it is time to see if it is time to replace the filter. Depending on your water hardness, it may be necessary to change the filter every 1-2 months.
5. Refill the water tank with fresh tap water, replace the housing of the humidifier, and then the water tank. Plug into the electrical outlet, and turn the power ON.

NOTE: Please be sure to wipe up any spilled cleaning solution as it may damage furniture or floors.

Storage Instructions

If your humidifier will not be in use for two days or more, or at the end of the season follow these instructions.

1. Clean and dry the humidifier thoroughly as per the "Weekly Maintenance" instructions.
2. Let the humidifier dry completely before storing. Do not store with water inside the base or water tank.
3. Remove the tank cap. Do not store with the tank cap in place.
4. Store in a cool dry location.

SERVICE INSTRUCTIONS

1. Do NOT attempt to repair or adjust any electrical or mechanical functions on this unit. Doing so will void the Warranty. The inside of the unit contains no user serviceable parts. All servicing should be performed by qualified personnel only.
2. If you need to exchange the unit, please return it in its original carton, with a sales receipt, to the store where you purchased it. If you are returning the unit more than 30 days after the date of purchase, please see the enclosed Warranty.
3. Should your humidifier require service, please call 1-800-253-2764 in North America for further assistance.
4. If you have any other questions or comments, feel free to write to us or visit our website www.bionaire.com

BIONAIRE
The Holmes Group, Inc.
Consumer Service Department
13052 Jurupa Avenue
Fontana, CA 92337

Fig. 4

Trouble	Probable Cause	Solution
• Mist output minimal to none.	<ul style="list-style-type: none"> Filter has not absorbed water. Mineral buildup in base. 	<ul style="list-style-type: none"> Wait 15 minutes before starting humidifier. Regular cleaning of tray after each use will help keep the unit functioning properly.
• Water leaks from water reservoir.	<ul style="list-style-type: none"> Humidistat is set too low. Wick Filter needs to be replaced. Normal operation. 	<ul style="list-style-type: none"> Set the humidistat to high. Replace your wick filter (BWF64) by calling 1-800-253-2764, or visit www.bionaire.com. Mist is invisible. Check to see if inlet or outlet grills are blocked.
• Water Filter turns brown.	<ul style="list-style-type: none"> Rubber O-ring is missing or improperly placed. Tank Cap not tight enough. Your filter needs to be changed. In areas with hard water your wick filter will need to be changed frequently. 	<ul style="list-style-type: none"> Remove tank cap then replace or reposition ring. Tighten the tank cap. Replace your wick filter (BWF64) by calling 1-800-253-2764, or visit www.bionaire.com. Use Clean Away™ Solution (DMS216), to order call 1-800-253-2764, or visit www.bionaire.com.
• Film on water reservoir.	<ul style="list-style-type: none"> Mineral deposits cause film on tank to build up. 	<ul style="list-style-type: none"> Replace your wick filter (BWF64) by calling 1-800-253-2764, or visit www.bionaire.com.
• Water cloudy.	<ul style="list-style-type: none"> Filter needs to be replaced. Using warm water to refill water tank. 	<ul style="list-style-type: none"> Refill using cool water.
• Humidistat cycles on/off.	<ul style="list-style-type: none"> Humidifier is reacting to room humidity level. 	<ul style="list-style-type: none"> Set the humidistat to a higher or lower setting. Add liquid soap or petroleum jelly to cap gasket to ease opening.
• Very tight reservoir cap.	<ul style="list-style-type: none"> Over tightened. 	

Fig. 5

QUESTION	ANSWER
• What are the variables that affect run time?	<ul style="list-style-type: none"> The estimated run time for this humidifier is based on average room conditions. The actual run time of your humidifier is dependent on numerous variables such as: <ol style="list-style-type: none"> 1. Air exchange in the room where the humidifier is placed. 2. Room construction where the humidifier is placed. 3. Temperature of the room where the humidifier is placed. 4. Humidity levels in the room where the humidifier is placed. 5. Movement of occupants and the opening and closing of doors in the room where the humidifier is placed. 6. Home furnishings in the room where the humidifier is placed.
• How do I remove film on water tank?	<ul style="list-style-type: none"> See Daily Maintenance instructions. Regular cleaning is recommended.
• How can I extend the run time?	<ul style="list-style-type: none"> Run your unit on the lowest setting. If your unit has electronics, set it to your desired humidity level. The unit will turn on and off, which will extend the run time. Fill the tank all the way full, place it on the base, let the water empty into the base until it stops bubbling, then refill the tank full again. This ensures maximum water capacity and will extend run time.

WARRANTY

The Manufacturer warrants to the original retail purchaser, for ONE (1) YEAR from the date of original purchase, either to repair or replace at its option, without charge (parts and labor), any supplied or manufactured part of this humidifier which, upon inspection by an authorized service center, proves to have failed in normal use due to defects in material or workmanship, or, at its option, to replace the unit.

Operation under conditions other than those recommended or at voltages other than the voltage indicated on the unit, or any attempts by unauthorized personnel to service the unit or modify it, will render the guarantee void.

The Manufacturer shall not be liable for any personal injury, property damage or any incidental or consequential damages of any kind, resulting from defects, malfunctions, misuse, improper installation or alteration of the product.

THE MANUFACTURER EXPRESSLY DISCLAIMS ALL RESPONSIBILITY FOR CONSEQUENTIAL DAMAGES OR INCIDENTAL LOSSES CAUSED BY USE OF THIS PRODUCT.

The provisions of this Warranty are in addition to, and not a modification of, or subtraction from the statutory warranties and other rights and remedies contained in any applicable legislation and to the extent that any such provision purports to disclaim, exclude or limit any such statutory warranties or other rights or remedies, such provisions shall be deemed to be amended to the extent necessary to comply therewith.

FOR WARRANTY SERVICE, PLEASE CALL 1-800-253-2764 IN NORTH AMERICA.

A consumer service representative will help determine which is the best procedure in order for your humidifier to be repaired.

KEEP THIS NUMBER FOR FUTURE REFERENCE.

Bionaire®, the Bionaire® logo, Filter Check™ and Clean-Away™ are trademarks of The Holmes Group, Inc.

BIONAIRE
humidificateur
à buée froide
MODÈLE BCM1745



Lisez les instructions avant d'utiliser l'appareil.
Conservez-les pour référence future.

Guide d'Utilisation

LIGNE DE RENSEIGNEMENTS
Si vous avez des questions ou des commentaires concernant l'humidificateur après avoir lu ce guide, veuillez nous téléphoner au 1-800-253-2764 en Amérique du Nord.

▲ SÉCURITÉ EN MATIÈRE D'HUMIDIFICATEURS

VEUILLEZ LIRE ET CONSERVER CES CONSIGNES DE SÉCURITÉ IMPORTANTES

MESURES DE SÉCURITÉ IMPORTANTES

Lors de l'usage de tout appareil électrique, des précautions fondamentales doivent être observées pour réduire le risque d'incendie, de choc électrique et de blessure, y compris celles-ci :

1. Lisez toutes les directives avant d'utiliser l'appareil.
2. Pour éviter les risques d'incendie ou de choc électrique, branchez l'appareil directement dans une prise électrique CA de 120V.
3. Évitez de laisser traîner le cordon dans un endroit achalandé. Pour éviter les risques d'incendie, ÉVITEZ de placer le cordon d'alimentation sous les tapis, près des bouches d'air chaud, radiateurs, poêles ou chauffeuses.
4. ÉVITEZ de placer l'humidificateur près de sources de chaleur comme des cuisinières, radiateurs ou chauffeuses. PLACEZ-LE plutôt près d'un mur intérieur et d'une prise murale. Pour de meilleurs résultats, l'humidificateur doit être placé à au moins 4 po du mur.
5. Ne placez jamais l'humidificateur dans un endroit où il est accessible par des enfants. N'utilisez jamais l'humidificateur dans une pièce fermée, particulièrement un enfant dort, se repose ou joue (une pièce fermée peut donner lieu à un niveau excessif d'humidité).
6. AVERTISSEMENT : ne pas tenter de remplir l'humidificateur sans tout d'abord le débrancher. Le fait de manquer d'observer cette consigne peut causer des blessures. Assurez-vous de débrancher l'appareil en tirant sur la fiche plutôt que sur le cordon. 7. Ne jamais placer quoi que ce soit sur les sorties d'air pendant que l'humidificateur est en marche.
7. Ne jamais placer quoi que ce soit sur les sorties d'air pendant que l'humidificateur est en marche.
8. Ne JAMAIS échapper ou insérer d'objets dans les ouvertures sauf si ce feuillet vous demande de le faire.
9. Évitez d'utiliser l'appareil si sa fiche ou son cordon est endommagé, après un mauvais fonctionnement de l'appareil ou si celui-ci a été échappé ou endommagé de quelque façon. Retournez l'appareil au fabricant à des fins d'examen, de mise au point électrique ou mécanique ou de réparation.

10. Ce produit est conçu pour une utilisation domestique seulement telle que décrite dans ce guide. Tout autre usage non recommandé par le fabricant peut causer des risques d'incendie, de choc électrique ou de blessure. L'usage d'accessoires non recommandés ou non vendus par le fabricant peut présenter des dangers.
11. Ne PAS utiliser l'humidificateur à l'extérieur.
12. Toujours placer l'humidificateur sur une surface plane, ferme et à niveau. Nous vous recommandons de placer un napperon ou tapis imperméable sous l'appareil. Ne PAS placer l'humidificateur sur un tapis ou plancher fini pouvant être endommagé par l'eau ou l'humidité.
13. Ne pas permettre à la sortie d'humidité de faire directement face à un mur. L'humidité peut causer des dommages, surtout au papier peint.
14. L'humidificateur doit être débranché s'il n'est pas utilisé.
15. Ne JAMAIS tenter d'incliner ou de déplacer l'appareil pendant qu'il est en marche. Arrêtez et débranchez-le avant de retirer le réservoir et de déplacer l'appareil.
16. Pour fonctionner convenablement, cet appareil exige des procédures d'entretien quotidiennes et hebdomadaires. Consultez les procédures de nettoyage quotidien et hebdomadaire. N'utilisez que les nettoyants et additifs recommandés par le fabricant.
17. Évitez d'utiliser de l'essence, du nettoyant à vitres, du poli à meubles, du diluant à peinture ou autre solvant domestique pour nettoyer l'humidificateur.
18. Une humidité excessive dans une pièce peut causer une condensation d'eau sur les fenêtres et meubles. Si cela se produit, éteignez l'humidificateur.
19. Ne pas utiliser l'humidificateur dans un endroit où l'humidité ambiante excède 50%. Pour mesurer l'humidité, utilisez un hygromètre que vous pourrez procurer chez votre détaillant ou par l'entremise du fabricant.
20. Ne PAS tenter de réparer ou de mettre au point toute fonction électrique ou mécanique de cet appareil. Le fait de le faire annulerait la garantie. L'intérieur de l'appareil ne contient aucune pièce utile pour le propriétaire. Les réparations et tâches d'entretien ne doivent être faites que par du personnel qualifié.
21. Ne jamais placer le boîtier sous l'eau courante ou l'immerger dans tout liquide.
22. Évitez de brancher le cordon si vos mains sont mouillées. Vous risqueriez un choc électrique.
23. Ne PAS verser d'eau dans les ouvertures de l'humidificateur, sauf le réservoir.
24. Pour prévenir les dommages aux surfaces, ne placez pas l'humidificateur sous les surfaces en saillie.
25. Ne JAMAIS faire fonctionner l'appareil sans que le réservoir soit rempli d'eau.

26. Lors du transport d'un réservoir plein d'eau, utilisez les deux mains.
27. Ne débranchez jamais l'appareil lorsqu'il est en marche parce que cela pourrait produire des arcs électriques et causer des blessures. Mettez l'appareil hors fonction avec l'interrupteur d'alimentation avant de le débrancher.

VEUILLEZ CONSERVER CES DIRECTIVES

INFORMATION DE SÉCURITÉ POUR LE CONSOMMATEUR



CET APPAREIL EST MUNI D'UNE FICHE POLARISÉE (dont une lame est plus large que l'autre). Cette fiche ne peut s'insérer que d'une seule façon dans une prise polarisée. Si la fiche ne peut pas s'insérer dans la prise, inversez-la.

Si elle ne s'insère toujours pas, adressez-vous à un électricien qualifié pour l'installation d'une prise convenable.

NE MODIFIEZ AUCUNEMENT LE DISPOSITIF DE SÉCURITÉ DE CETTE FICHE POLARISÉE

VEUILLEZ LIRE ET CONSERVER CES CONSIGNES DE SÉCURITÉ IMPORTANTES

INFORMATION DE SÉCURITÉ POUR LE CONSOMMATEUR

REMARQUE : Cet appareil électrique exige un certain niveau de supervision lors de l'utilisation.

REMARQUE : Si de la condensation se produit sur les murs ou les fenêtres de la pièce, mettez l'humidificateur hors tension. Dans ce cas, la pièce est déjà assez humide et de l'humidité supplémentaire peut causer des dommages.

REMARQUE : NE bloquez PAS les orifices d'admission ou de sortie d'air.

Directives de sécurité concernant l'installation du cordon et de la fiche.

Le cordon d'alimentation de ce produit est très court afin de réduire le danger des entortillements et le risque de trébucher sur un cordon plus long. Si vous avez besoin d'un cordon plus long, vous pouvez vous servir d'une

rallonge approuvée. La capacité nominale électrique de la rallonge doit être équivalente ou supérieure à celle de l'humidificateur. Assurez-vous de ne pas laisser la rallonge pendre du rebord d'un comptoir ou d'une table ou les enfants peuvent la tirer et, évitez les endroits où on peut trébucher dessus.

COMMENT L'HUMIDIFICATEUR FONCTIONNE

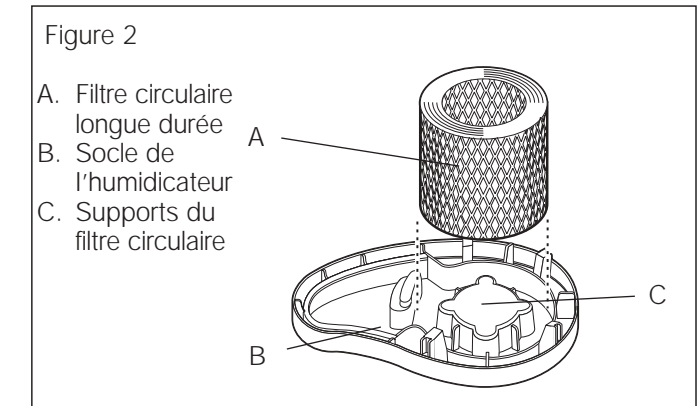
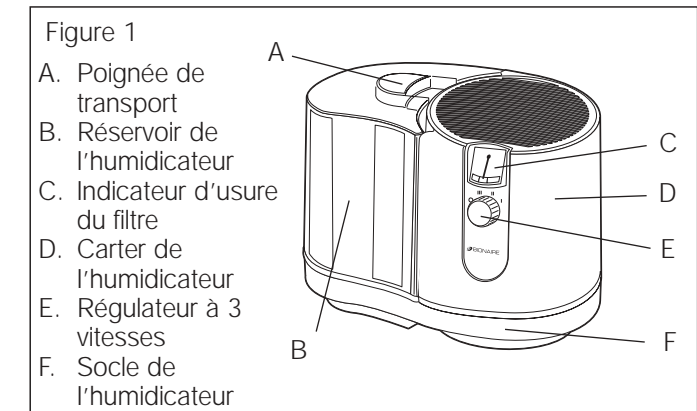
Votre humidificateur à buée fraîche Bionaire® aspire l'air sec par la grille d'admission d'air de la section arrière. Cet air est alors poussé à travers 3 filtres à mèche chargés d'humidité qui retiennent les minéraux et les dépôts de l'eau. L'air humide qui en résulte est dirigé dans la pièce en passant par la grille d'air supérieure.

REMARQUE : Ce système d'humidification fournit un débit d'humidité fraîche et invisible. Il est normal de ne pas voir la buée.

REMARQUE : Un niveau d'humidité sous 20% peut être malsain et inconfortable. Le niveau d'humidité recommandé est entre 40% et 50%.

INSTRUCTIONS DE DÉMARRAGE

1. Assurez-vous que l'appareil soit débranché et hors tension.



NETTOYAGE ET ENTRETIEN

Un humidificateur rehausse le confort en humidifiant l'air ambiant chauffé et sec. Pour profiter de ses bienfaits et l'employer convenablement, observez les instructions au pied de la lettre, particulièrement pour ce qui a trait au fonctionnement, au nettoyage et à l'entretien. Rappelez-vous que la prudence s'impose lors de l'emploi d'un appareil électrique. Si vous ne respectez pas les directives de nettoyage et d'entretien, il est en outre possible que des micro-organismes puissent proliférer dans l'eau du réservoir.

Entretien quotidien

1. Avant d'entreprendre le nettoyage, réglez l'appareil à OFF/ARRÊT puis débranchez-le.
2. Retirez le réservoir ainsi que le carter.
3. Portez le socle et le réservoir à l'évier, enlevez le filtre à effet mèche puis videz et rincez bien le socle et le réservoir afin d'en éliminer les sédiments ou la saleté. Une fois nettoyés, essuyez-les à fond avec un linge propre ou un essuie-tout.
4. Remplacez le filtre sur ses supports, remplacez le carter puis remplissez le réservoir (pas à l'excès) d'eau froide du robinet, tel qu'indiqué sous << Instructions de démarrage >>.
5. Si de l'humidité se forme sur les murs ou les fenêtres, mettez simplement l'humidificateur hors tension.

Entretien hebdomadaire

Détartrage

1. Répétez les directives des paragraphes 1 à 3 ci-dessus puis retirez le filtre circulaire à effet mèche.
2. Versez une tasse (250 mL/8 oz) de vinaigre blanc non dilué dans le socle, pour le nettoyer. Laissez reposer 20 minutes et nettoyez toutes les surfaces intérieures à l'aide d'une brosse à poils doux. Imprégnez un linge de vinaigre blanc non dilué et frottez tout le socle pour le détartre.
3. Rincez à l'eau propre tiède pour éliminer le tartre et le vinaigre blanc avant de commencer à désinfecter le réservoir.

Désinfection du réservoir

1. Versez 15 mL/1 cuillerée à thé de chlorure de sodium et 3,8L/1 gal EU d'eau dans le réservoir.
2. Laissez reposer pendant 20 minutes en agitant toutes les quelques minutes pour bien mouiller tout l'intérieur.
3. Videz le réservoir une fois les 20 minutes écoulées puis rincez à l'eau claire jusqu'à ce qu'il n'y ait plus d'odeur de chlorure. Asséchez avec un linge propre ou un essuie-tout.

4. Consultez le vérificateur Filter Check™ pour voir s'il faut changer le filtre. Dans les régions où l'eau est calcaire, il peut être nécessaire de le changer tous les 1 ou 2 mois.
5. Remplissez le réservoir d'eau froide du robinet, remplacez le carter de l'humidificateur ainsi que le réservoir à eau. Branchez l'appareil puis mettez-le SOUS TENSION.

REMARQUE : N'oubliez pas d'essuyer les éclaboussures de solution car elles pourraient endommager les meubles ou le sol.

Instructions d'entreposage

Si vous n'avez pas l'intention d'utiliser l'humidificateur pour deux jours ou plus, et à la fin de la saison, suivez les instructions suivantes :

1. Nettoyez et séchez bien l'humidificateur selon les directives de la section « Entretien hebdomadaire ».
2. Attendez jusqu'à ce que l'humidificateur soit complètement sec avant de l'entreposer. Ne laissez pas de l'eau dans la base ni dans le réservoir d'eau lors de l'entreposage.
3. Retirez le bouchon du réservoir. N'entreposez pas l'appareil avec le bouchon fermé.
4. Rangez l'appareil dans un endroit frais et sec.

INSTRUCTIONS RELATIVES AU SERVICE

1. NE tentez PAS de réparer ou d'ajuster les fonctions électriques ou mécaniques de cet appareil. Cette action entraînera l'annulation de la Garantie. Il n'y a aucune pièce qui peut être entretenue par l'utilisateur à l'intérieur de cet appareil. Tous les services d'entretien devraient être exécutés par un personnel qualifié seulement.
2. Si vous devez échanger l'appareil, veuillez le retourner dans sa boîte d'origine, accompagné d'un reçu de vente, au magasin où vous en avez fait l'achat. Si vous retournez l'appareil plus de 30 jours après la date d'achat, veuillez consulter la Garantie ci-incluse.
3. Si votre humidificateur doit être réparé, veuillez téléphoner le **1-800-253-2764** en Amérique du Nord pour obtenir de l'aide.
4. Pour toute autre question ou commentaire, n'hésitez pas à nous écrire ou à visiter notre site Web à www.bionaire.com

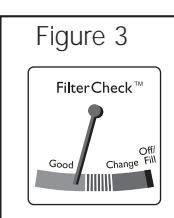
BIONAIRE
The Holmes Group, Inc.
Consumer Service Department
13052 Jurupa Avenue
Fontana, CA 92337

REMARQUE : La capacité du réservoir et du socle est d'environ 5,3 L/1,4 gal EU. Basé sur une période de 24 heures et selon l'humidité et la température ambiantes, le débit de l'humidificateur est de 11,3 L/3 gal EU maximum.

REMPLACEMENT DES FILTRES :

Par l'usage normal, des minéraux et sédiments contenus dans l'eau sont captés par les filtres à mèches. La plus dure est votre eau, la plus élevée sera la quantité de minéraux dans l'eau et le plus souvent vous devrez vérifier l'état des filtres dans votre humidificateur.

Vous pourrez surveiller la durée de service des filtres de votre humidificateur en vérifiant l'indicateur Filter Check™. Quand l'unité est à l'arrêt, l'indicateur Filter Check™ affichera la position ARRÊT. Après 60 minutes d'usage, l'indicateur Filter Check™ se déplacera de la position ARRÊT et indiquera l'état de vos filtres. Des filtres neufs enregistreront dans la section bleue indiquant un bon filtre. Après l'usage fréquent de votre humidificateur, l'indicateur Filter Check™ vous indiquera quand les filtres doivent être remplacés. (Voir la figure 3.)



Quand l'aiguille est dans la section grise / noire (CHANGER), ceci indique que la quantité appropriée d'humidité n'est pas apportée dans l'air, ce qui est causé par une quantité excessive de minéraux et de sédiments captés par les filtres. Dans ce cas vous devriez remplacer les filtres. Il est important de remplacer les filtres selon ces directives pour obtenir le degré de performance indiqué.

POUR REMPLACER LES FILTRES, SUIVEZ LES ÉTAPES CI-DESSOUS :

1. Assurez-vous que l'appareil est arrêté et qu'il est débranché de la prise électrique.
2. Retirez le réservoir et le boîtier principal pour accéder au plateau de la base (voir la figure 1 et figure 2).
3. Jetez le filtre usé et effectuez le nettoyage hebdomadaire.
4. Insérez un filtre neuf dans le support du filtre de la base (figure 2).
5. Remettez le boîtier principal et les réservoirs.
6. Répétez les étapes des directives d'utilisation. L'humidificateur atteindra son rendement maximum après environ 30 minutes.

REMARQUE : Vous pouvez obtenir des filtres de rechange (modèle BWF64) d'un détaillant local, en composant le 1-800-253-2764, en remplissant la carte d'accessoires, ou en visitant le site Internet www.bionaire.com. Nous vous recommandons d'acheter des filtres de rechange pour permettre une utilisation sans interruptions.

Fig. 4

Dépannage de l'humidificateur à brume fraîche		
Problème	Probable Cause	Solution
• Le débit de buée est minimal ou nul.	<ul style="list-style-type: none"> Le filtre n'a pas encore absorbé de l'eau. Accumulation de minéraux dans la base. L'humidistat est réglé à un niveau trop bas. Le filtre à mèche doit être remplacé. Fonctionnement normal. 	<ul style="list-style-type: none"> Attendez 15 minutes avant de mettre l'humidificateur en marche. Le nettoyage régulier de la base après chaque utilisation aidera à assurer le bon fonctionnement de l'appareil. Réglez l'humidistat à la position « HIGH ». Remplacez le filtre à mèche (BWF64) en composant le 1-800-253-2764 ou visitez www.bionaire.com. La brume produite est invisible. Vérifiez si les grilles d'admission ou de sortie sont obstruées.
• Fuite d'eau du réservoir.	<ul style="list-style-type: none"> La bague d'étanchéité en caoutchouc manque ou n'est pas bien placée. Le chapeau du réservoir n'est pas assez serré. 	<ul style="list-style-type: none"> Retirez le chapeau du réservoir et insérez la bague de manière appropriée. Serrez le chapeau du réservoir.
• Le filtre devient brun.	<ul style="list-style-type: none"> Le filtre doit être remplacé. Dans les régions où l'eau est particulièrement dure, le filtre doit être remplacé souvent. 	<ul style="list-style-type: none"> Remplacez le filtre à mèche (BWF64) en composant le 1-800-253-2764 ou visitez www.bionaire.com. Utilisez la solution Clean-Away™ (DMS16). Pour en commander, composez le 1-800-253-2764 ou visitez www.bionaire.com.
• Une pellicule sur le réservoir d'eau.	<ul style="list-style-type: none"> Les dépôts de minéraux entraînent le développement d'une pellicule sur le réservoir. 	<ul style="list-style-type: none"> Remplacez le filtre à mèche (BWF64) en composant le 1-800-253-2764 ou visitez www.bionaire.com.
• Eau trouble.	<ul style="list-style-type: none"> Le filtre doit être remplacé. Utilisation d'eau chaude dans le réservoir. 	<ul style="list-style-type: none"> Remplissez le réservoir avec de l'eau froide.
• L'humidistat se met en fonction et hors fonction en cycles.	<ul style="list-style-type: none"> L'humidificateur réagit au niveau d'humidité de la pièce. 	<ul style="list-style-type: none"> Réglez l'humidistat à un niveau plus élevé ou plus bas. Ajoutez du savon liquide ou du pétrolatum au joint d'étanchéité du chapeau pour faciliter l'ouverture.
• Le chapeau du réservoir est très serré.	<ul style="list-style-type: none"> Le chapeau du réservoir a été trop serré. 	

Fig. 5

QUESTIONS FRÉQUEMMENT DEMANDÉES	
QUESTIONS	RÉPONSES
• Quels sont les facteurs variables qui affectent le temps de fonctionnement?	<ul style="list-style-type: none"> Le temps de fonctionnement anticipé de votre humidificateur est basé sur les conditions moyennes de la pièce. Le temps de fonctionnement réel dépend de plusieurs facteurs variables tels que : <ul style="list-style-type: none"> 1. L'échange d'air dans la pièce ou l'humidificateur est placé. 2. La construction de la pièce – combien étanche est la construction de la pièce ou l'humidificateur est utilisé. 3. La température de la pièce ou l'humidificateur est placé. 4. Les niveaux d'humidité dans la pièce ou l'humidificateur est placé. 5. Le mouvement des occupants et l'ouverture et la fermeture des portes de la pièce ou l'humidificateur est placé. 6. L'ameublement de la pièce ou l'humidificateur est placé.
• Comment enlever le film qui se forme sur le réservoir d'eau?	<ul style="list-style-type: none"> Voir les directives de l'entretien quotidien. Le nettoyage régulier est recommandé.
• Comment puis-je prolonger le temps de fonctionnement?	<ul style="list-style-type: none"> Utiliser votre unité au réglage le plus bas. Si votre unité fonctionne à l'électronique, le régler au niveau d'humidité désiré. L'unité sera activée et mise hors de service automatiquement, ce qui prolongera le temps de fonctionnement. Remplir le réservoir à plein, le déposer sur la base, laisser l'eau s'écouler dans la base jusqu'au moment où la formation de bulles cesse et remplir le réservoir de nouveau. Ceci assure la contre-nance d'eau maximale dans l'unité et prolongera le temps de fonctionnement.

GARANTIE

Le fabricant garantit ce produit pour le premier acheteur au détail pour une période de UN (1) AN à partir de la date d'achat originale, et réparera ou remplacera, à sa seule discrétion et sans frais (pour les pièces et la main-d'œuvre), toute pièce fournie avec cet humidificateur ou faisant partie de cet humidificateur, après avoir été inspectée par un centre de service après-vente autorisé, est considérée être défectueuse, suite à une utilisation normale, à cause d'un défaut de matériau ou de fabrication, ou à sa discrétion, remplacera l'appareil au complet.

Cette garantie sera annulée si l'appareil est utilisé dans des conditions autres que celles recommandées ou à une tension autre que celle indiquée sur l'appareil, ou suite à toute tentative de réparation ou de modification de l'appareil par une personne non autorisée.

Le fabricant ne sera pas tenue responsable de toute blessure corporelle, de tous dommages à la propriété ou de tous dommages indirects ou consécutifs causés par un défaut, un mauvais fonctionnement, une utilisation non appropriée, une installation non appropriée ou une modification du produit.

LE FABRICANT N'ACCÈTE AUCUNE RESPONSABILITÉ POUR LES DOMMAGES CONSÉCUTIFS OU LES PERTES INDIRECTES CAUSÉS PAR L'UTILISATION DE CE PRODUIT.

Les clauses de cette Garantie constituent des ajouts, et non des modifications ni des retraites, aux garanties statutaires ainsi qu'à d'autres droits et recours prévus dans toutes lois applicables et jusqu'au point où ces clauses visent à rejeter, exclure ou restreindre ces garanties statutaires ou autres droits et recours, ces clauses doivent être considérées être amendées au point nécessaire pour se conformer avec ceux-ci.

POUR OBTENIR DES SERVICES EN VERTU DE LA GARANTIE, VEUILLEZ COMPOSER LE 1-800-253-2764 EN AMÉRIQUE DU NORD.

Un représentant du service à la clientèle vous aidera à déterminer les mesures à prendre pour faire réparer votre humidificateur.

CONSERVEZ CE NUMÉRO AUX FINS DE RÉFÉRENCE FUTURE.

Bionaire®, le logo Bionaire®, Filter Check™, et Clean-Away™ sont des marques déposées de The Holmes Group, Inc.

Free Manuals Download Website

<http://myh66.com>

<http://usermanuals.us>

<http://www.somanuals.com>

<http://www.4manuals.cc>

<http://www.manual-lib.com>

<http://www.404manual.com>

<http://www.luxmanual.com>

<http://aubethermostatmanual.com>

Golf course search by state

<http://golfingnear.com>

Email search by domain

<http://emailbydomain.com>

Auto manuals search

<http://auto.somanuals.com>

TV manuals search

<http://tv.somanuals.com>