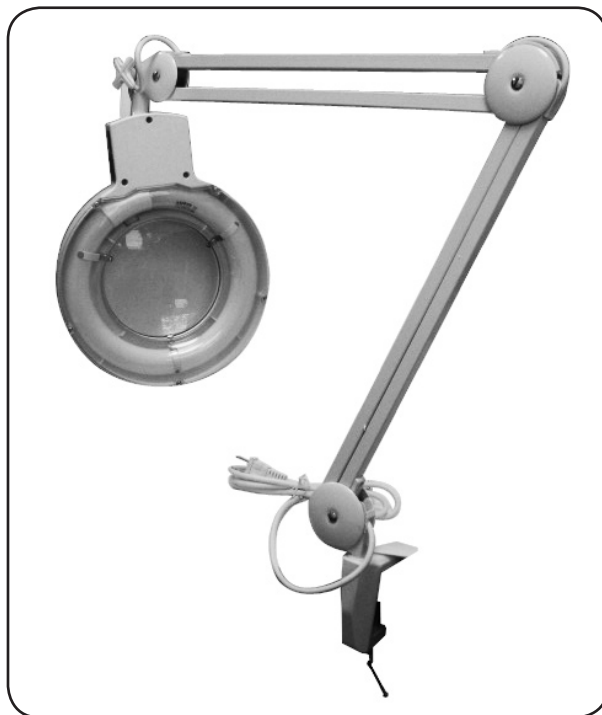


CHICAGO
Electric®

FLOURESCENT MAGNIFYING LAMP

Model 66384

ASSEMBLY AND OPERATION INSTRUCTIONS



Diagrams within this manual may not be drawn proportionally.
Due to continuing improvements, actual product may differ slightly from the product described herein.

Distributed exclusively by Harbor Freight Tools®.

3491 Mission Oaks Blvd., Camarillo, CA 93011

Visit our website at: <http://www.harborfreight.com>



**Read this material before using this product.
Failure to do so can result in serious injury.
SAVE THIS MANUAL.**

Copyright© 2008 by Harbor Freight Tools®. All rights reserved. No portion of this manual or any artwork contained herein may be reproduced in any shape or form without the express written consent of Harbor Freight Tools.

For technical questions or replacement parts, please call 1-800-444-3353.

Revised manual 09a

SAVE THIS MANUAL

Keep this manual for the safety warnings and precautions, assembly, operating, inspection, maintenance and cleaning procedures. Write the product's serial number in the back of the manual near the assembly diagram (or month and year of purchase if product has no number). Keep this manual and the receipt in a safe and dry place for future reference.

IMPORTANT SAFETY INSTRUCTIONS

In this manual, on the labeling, and all other information provided with this product:



This is the safety alert symbol. It is used to alert you to potential personal injury hazards. Obey all safety messages that follow this symbol to avoid possible injury or death.

DANGER

DANGER indicates a hazardous situation which, if not avoided, will result in death or serious injury.

WARNING

WARNING indicates a hazardous situation which, if not avoided, could result in death or serious injury.

CAUTION

CAUTION, used with the safety alert symbol, indicates a hazardous situation which, if not avoided, could result in minor or moderate injury.

NOTICE

NOTICE is used to address practices not related to personal injury.

CAUTION

CAUTION, without the safety alert symbol, is used to address practices not related to personal injury.


READ AND UNDERSTAND ALL INSTRUCTIONS

When using electrical appliances, safety precautions should always be followed including the following:

Work Area Safety

1. Do not use outdoors.
2. Close supervision is necessary when any appliance is used by or near children.
3. Do not let cord hang over edge of table or counter, or touch hot surfaces.
4. Do not place on or near a hot gas or electric burner, or in a heated oven.
5. Extreme caution must be used when moving Lamp.
6. Keep the work area well lit. Make sure there is adequate surrounding workspace. Keep the work area free of obstructions and other debris.

Electrical Safety

1.  To protect against electrical shock do not immerse cord, plug, or the main unit in water or other liquids.

2. Unplug from outlet when not in use and before maintenance or cleaning.
3. Do not operate with a damaged cord or plug or after the Lamp malfunctions or has been damaged in any manner. Return Lamp to the nearest authorized service facility for examination, or repair.
4. This Lamp has a polarized plug (one blade is wider than the other). To reduce the risk of electric shock, this plug is intended to fit into a polarized outlet only one way. If the plug does not fit fully in the outlet, reverse the plug. If it still does not fit, contact a qualified electrician. Do not change the plug in any way.
5. Do not use in a damp or wet location.

Power Cord Safety

1. A short power supply cord is to be provided to reduce risks resulting from becoming entangled in or tripping over a longer cord.
2. Longer extension cords are available and may be used if care is exercised in their use.
3. If a long extension cord is used,
 - a. the marked electrical rating of the (detachable power supply cord or) extension cord should be at least as great as the electrical rating of the Lamp,
 - b. if the Lamp is of the grounded type, the extension cord should be a grounding type 3-wire cord, and
 - c. the longer cord should be arranged so that it will not drape over the counter top or tabletop where it can be pulled on by children or tripped over.

General Safety

1. **CAUTION! TO REDUCE RISK OF FIRE, USE ONLY CIRCLINE 22-WATT (or smaller) FLUORESCENT LAMPS.**
2. The use of any accessory attachments not recommended by the Lamp manufacturer may cause injuries.
3. Do not place under direct sunlight.
4. Do not use Lamp for other than intended use.
5. Maintain labels and nameplates on the appliance. These carry important safety information. If unreadable or missing, contact Harbor Freight Tools for a replacement.
6. Do not stare at bright light or the sun through the Lamp's magnifying lens.
7. Do not obstruct walkways or common areas with Lamp or cord.
8. This Lamp is not a toy. Keep it out of reach of children when children are not being closely supervised.
9. The warnings, precautions, and instructions discussed in this instruction manual cannot cover all possible conditions and situations that may occur. It must be understood by the operator that common sense and caution are factors which cannot be built into this product, but must be supplied by the operator.



SAVE THESE INSTRUCTIONS.

SPECIFICATIONS

Electrical Requirements	120 V~ / 60 Hz
Material	ABS plastic frame Glass lens
Magnification	3D (Diopter) = to 1.75 X magnification
Bulb Type	22W Circline Fluorescent Lamp
Cord Length	4' - 9"
Full Extended Height	38"

UNPACKING

When unpacking, check to make sure that the item is intact and undamaged. If any parts are missing or broken, please call Harbor Freight Tools at the number shown on the cover of this manual as soon as possible.

OPERATION



Read the **ENTIRE IMPORTANT SAFEGUARDS** section at the beginning of this manual including all text under subheadings therein before set up or use of this Lamp.

1. Although this Power Cord (12) is supplied with a two-prong polarized plug, it can be plugged into any 120V two or three prong outlet.

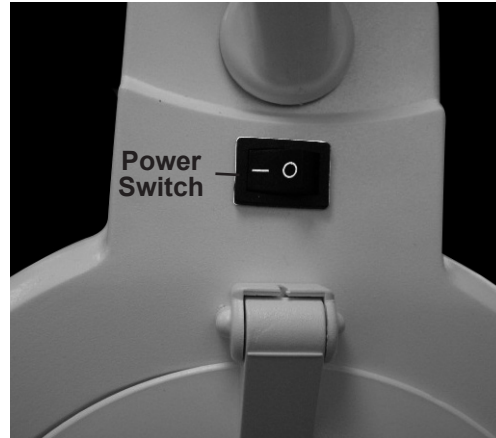


Fig. 1

2. Turn on the Lamp by pushing down on the black rocker Power Switch (35) found on top of the Lamp behind the Lens Cover (49). (See Fig. 1.)

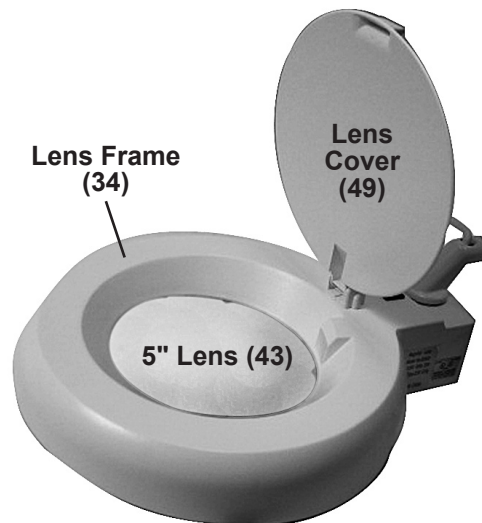


Fig. 2

3. To use the Magnifying Lamp, pull open the Lens Cover (49) from the Lens Frame (34). (See Fig. 2.)
4. Use the Adjusting Knob (31) to set the desired angle.
5. After each use, shut the Lens Cover (49) and remove the Power Cord (12) from the outlet.
6. Store Lamp in a safe location out of the reach of children.

REPLACING THE BULB



When replacing the Lamp Bulb (46), be sure to wear ANSI-approved safety goggles. Also, keep track of the eight Screws (48) during replacement. The Screws are very small and can be swallowed by young children.

1. To replace the 22W Circline Bulb (46), turn off the Lamp and unplug the Power Cord (12) from the outlet.
2. Lay the Lamp down and loosen the Adjusting Knob (31) so that the Lamp rests flat on the work surface with the Bulb facing up.

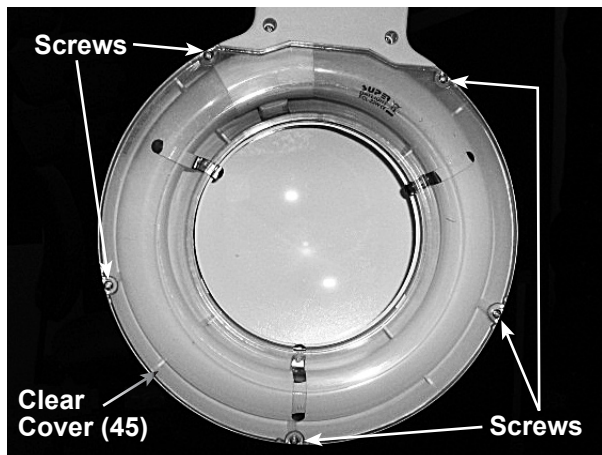


Fig. 3 / Lamp Head Assembly

3. Use a #1 Phillips screwdriver (not included) to remove the five Screws (48) from the Clear Cover (45). (See Fig. 3.)
4. Lift the Clear Cover (45) away from the Lens Frame (34). **Please note:** The Bulb Clips also hold the 5" Lens in place, so when removed, the Lens is loose and could fall out if the lamp head is turned over.

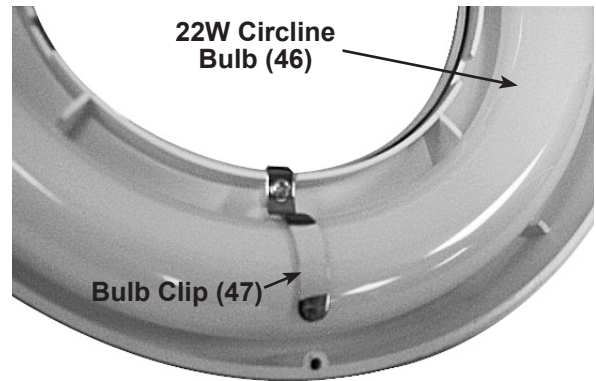


Fig. 4

5. Remove the Bulb Clips (47) by unscrewing the screws holding the clips with a #1 Phillips screwdriver. (See Fig. 4.)

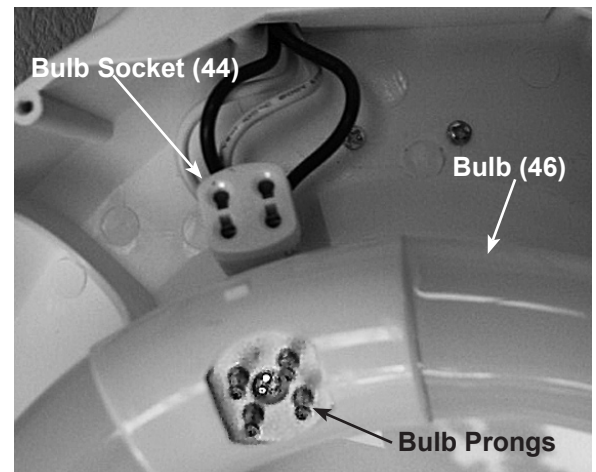


Fig. 5

6. Pull the Circline Bulb (46) prongs out of the square Bulb Socket (44). (See Fig. 5.)
7. Dispose of old Bulb properly and install a new 22W Circline Bulb by aligning the Bulb Prongs to the Lamp Socket openings and push the prongs securely into the socket.

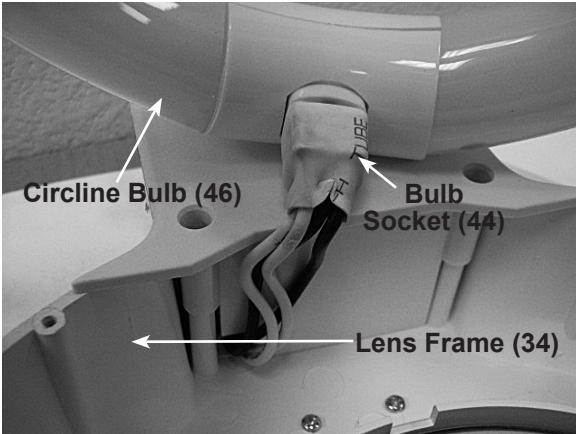


Fig. 6.)

8. Fasten the Bulb Support Latch back into place. (See Fig. 6.)
9. Lower the Bulb into place in the Lens Frame (34).
10. Re-attach the three Bulb Clips (47) and screws securing the Bulb back in the Lens Frame.
11. Place the Clear Cover (45) back onto the Lens Frame and align the screw holes.
12. Fasten the Clear Cover back onto the Lens Frame using the five screws removed earlier. Do not overtighten.
13. Once all connections are secure, set the Magnifying Lamp upright and on its base. Adjust the tilt/angle of the Lamp head and tighten the adjusting knob.

INSPECTION AND MAINTENANCE

⚠ WARNING TO PREVENT SERIOUS INJURY

FROM ACCIDENTAL OPERATION OR ELECTRIC SHOCK:

Before appliance inspection or maintenance, make sure the Power Switch (12) is turned off, the cord is unplugged, and the bulb has cooled.

TO PREVENT SERIOUS INJURY FROM APPLIANCE FAILURE:

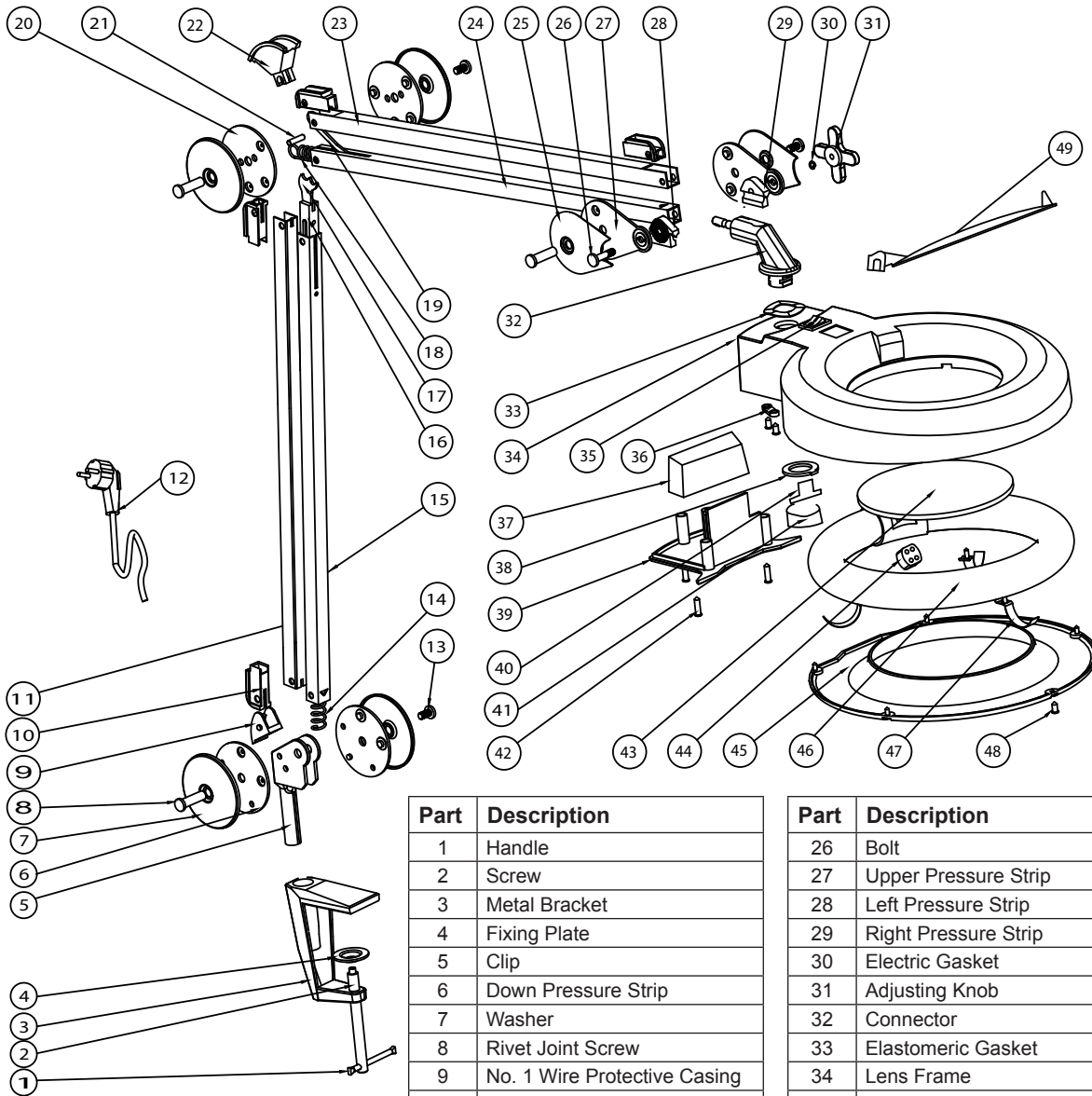
Do not use damaged Lamp. Have the problem corrected before further use.

1. **BEFORE EACH USE**, inspect the general condition of the Magnifying Lamp. Check for loose screws, misalignment or binding of moving parts, cracked or broken parts, damaged electrical wiring, and any other condition that may affect its safe operation.
2. Wipe off lamp with a soft, moist cloth regularly to prevent dust accumulation.

PLEASE READ THE FOLLOWING CAREFULLY

THE MANUFACTURER AND/OR DISTRIBUTOR HAS PROVIDED THE PARTS LIST AND ASSEMBLY DIAGRAM IN THIS MANUAL AS A REFERENCE TOOL ONLY. NEITHER THE MANUFACTURER OR DISTRIBUTOR MAKES ANY REPRESENTATION OR WARRANTY OF ANY KIND TO THE BUYER THAT HE OR SHE IS QUALIFIED TO MAKE ANY REPAIRS TO THE PRODUCT, OR THAT HE OR SHE IS QUALIFIED TO REPLACE ANY PARTS OF THE PRODUCT. IN FACT, THE MANUFACTURER AND/OR DISTRIBUTOR EXPRESSLY STATES THAT ALL REPAIRS AND PARTS REPLACEMENTS SHOULD BE UNDERTAKEN BY CERTIFIED AND LICENSED TECHNICIANS, AND NOT BY THE BUYER. THE BUYER ASSUMES ALL RISK AND LIABILITY ARISING OUT OF HIS OR HER REPAIRS TO THE ORIGINAL PRODUCT OR REPLACEMENT PARTS THERETO, OR ARISING OUT OF HIS OR HER INSTALLATION OF REPLACEMENT PARTS THERETO.

PARTS LIST AND ASSEMBLY DIAGRAM



Part	Description
1	Handle
2	Screw
3	Metal Bracket
4	Fixing Plate
5	Clip
6	Down Pressure Strip
7	Washer
8	Rivet Joint Screw
9	No. 1 Wire Protective Casing
10	No. 3 Wire Protective Casing
11	Arm 3
12	Power Cord
13	Bolt
14	Pressure Spring
15	Arm 4
16	Spring Seat
17	Mandril
18	Tension Spring
19	Upper Arm Tension Bracket
20	Center Pressure Strip
21	Pin
22	No. 2 Wire Protective Casing
23	Arm 1
24	Arm 2
25	Washer

Part	Description
26	Bolt
27	Upper Pressure Strip
28	Left Pressure Strip
29	Right Pressure Strip
30	Electric Gasket
31	Adjusting Knob
32	Connector
33	Elastomeric Gasket
34	Lens Frame
35	Power Switch
36	Strain Relief
37	Electric Ballast
38	Space Washer
39	Under Cover
40	Locknut
41	Wire Sleeve
42	Bolt
43	5" Lens
44	Bulb Socket
45	Clear Cover
46	22W Circline Bulb
47	Bulb Clip
48	Screws - 8
49	Lens Cover

LIMITED 90 DAY WARRANTY

Harbor Freight Tools Co. makes every effort to assure that its products meet high quality and durability standards, and warrants to the original purchaser that this product is free from defects in materials and workmanship for the period of 90 days from the date of purchase. This warranty does not apply to damage due directly or indirectly, to misuse, abuse, negligence or accidents, repairs or alterations outside our facilities, criminal activity, improper installation, normal wear and tear, or to lack of maintenance. We shall in no event be liable for death, injuries to persons or property, or for incidental, contingent, special or consequential damages arising from the use of our product. Some states do not allow the exclusion or limitation of incidental or consequential damages, so the above limitation of exclusion may not apply to you. THIS WARRANTY IS EXPRESSLY IN LIEU OF ALL OTHER WARRANTIES, EXPRESS OR IMPLIED, INCLUDING THE WARRANTIES OF MERCHANTABILITY AND FITNESS.

To take advantage of this warranty, the product or part must be returned to us with transportation charges prepaid. Proof of purchase date and an explanation of the complaint must accompany the merchandise. If our inspection verifies the defect, we will either repair or replace the product at our election or we may elect to refund the purchase price if we cannot readily and quickly provide you with a replacement. We will return repaired products at our expense, but if we determine there is no defect, or that the defect resulted from causes not within the scope of our warranty, then you must bear the cost of returning the product.

This warranty gives you specific legal rights and you may also have other rights which vary from state to state.

3491 Mission Oaks Blvd. • PO Box 6009 • Camarillo, CA 93011 • (800) 444-3353

Record Product's Serial Number Here: _____

Note: If product has no serial number, record month and year of purchase instead.

Note: Some parts are listed and shown for illustration purposes only, and are not available individually as replacement parts.

Free Manuals Download Website

<http://myh66.com>

<http://usermanuals.us>

<http://www.somanuals.com>

<http://www.4manuals.cc>

<http://www.manual-lib.com>

<http://www.404manual.com>

<http://www.luxmanual.com>

<http://aubethermostatmanual.com>

Golf course search by state

<http://golfingnear.com>

Email search by domain

<http://emailbydomain.com>

Auto manuals search

<http://auto.somanuals.com>

TV manuals search

<http://tv.somanuals.com>