

**CHICAGO POWER
ELECTRIC® SYSTEMS**

1200W PAINT DRYING LAMP

Model 97641

ASSEMBLY AND OPERATION INSTRUCTIONS



Diagrams within this manual may not be drawn proportionally.
Due to continuing improvements, actual product may differ slightly from the product described herein.

Distributed exclusively by Harbor Freight Tools®.

3491 Mission Oaks Blvd., Camarillo, CA 93011

Visit our website at: <http://www.harborfreight.com>



**Read this material before using this product.
Failure to do so can result in serious injury.
SAVE THIS MANUAL.**

Copyright© 2008 by Harbor Freight Tools®. All rights reserved. No portion of this manual or any artwork contained herein may be reproduced in any shape or form without the express written consent of Harbor Freight Tools.

For technical questions or replacement parts, please call 1-800-444-3353.

SPECIFICATIONS

Electrical Requirements	Single Phase 120V, 60Hz, 1200 W
Overall Dimensions	39-3/4" L x 39-3/4" W x 74-1/4" (H)
Bulb	125 VAC infrared bulb with (1) heating element; 32" L
Max. Temp.	350° F

Save This Manual

You will need this manual for the safety warnings and precautions, assembly, operating, inspection, maintenance and cleaning procedures, parts list and assembly diagram. Keep your invoice with this manual. Write the invoice number on the inside of the front cover. Write the product's serial number in the back of the manual near the assembly diagram, or write month and year of purchase if product has no number. Keep this manual and invoice in a safe and dry place for future reference.

GENERAL SAFETY RULES



READ AND UNDERSTAND ALL INSTRUCTIONS
Failure to follow all instructions listed below may result in
electric shock, fire, and/or serious injury.
SAVE THESE INSTRUCTIONS

WORK AREA

1. **Keep your work area clean and well lit.** Cluttered benches and dark areas invite accidents.
2. **Do not operate Lamp in explosive atmospheres, such as in the presence of flammable liquids, gases, or dust.** This Lamp generates high temperatures which may ignite the dust or fumes.
3. **Use in a well-ventilated work area.**
4. **Keep bystanders and children away while operating Lamp.** Distractions can cause you to lose control.

ELECTRICAL SAFETY

1. **Grounded tools must be plugged into an outlet properly installed and grounded in accordance with all codes and ordinances. Never remove the grounding prong or modify the plug in any way. Do not use any adapter plugs. Check with a qualified electrician if you are in doubt as to whether the outlet is properly grounded.** If the tools should electrically malfunction or break down, grounding provides a low resistance path to carry electricity away from the user.
2. **Avoid body contact with grounded surfaces such as pipes, radiators, ranges, and refrigerators.** There is an increased risk of electric shock if your body is grounded.
3. **Do not expose Lamp to rain or wet conditions.** Water contacting with Lamp will increase the risk of electric shock.
4. **Do not abuse the Power Cord. Never use the Power Cord to carry or pull the Lamp or pull the Plug from an outlet. Keep the Power Cord away from heat, oil, sharp edges, or moving parts. Replace damaged Power Cords immediately.** Damaged Power Cords increase the risk of electric shock.

PERSONAL SAFETY

1. **Stay alert. Watch what you are doing, and use common sense when operating Lamp. Do not use a power tool while tired or under the influence of drugs, alcohol, or medication.** A moment of inattention while operating power tools may result in serious personal injury.
2. **Dress properly. Do not wear loose clothing or jewelry. Contain long hair. Keep your hair, clothing, and gloves away from moving parts.** Loose clothes, jewelry, or long hair can be caught in moving parts.
3. **Avoid accidental starting. Be sure the Power Switch is off before plugging in.** Plugging in Lamp with the Power Switch on invites accidents.
4. **Use safety equipment. Always wear eye protection.** Wear ANSI-approved safety goggles, NIOSH-approved respirator, and heavy-duty work gloves during setup and use.

TOOL USE AND CARE

1. **Use the correct tool for your application.** The correct tool will do the job better and safer at the rate for which it is designed. Do not force the tool and do not use the tool for a purpose for which it is not intended.
2. **Do not use Lamp if the Power Switch does not turn it on or off.** Any tool that cannot be controlled with the Power Switch is dangerous and must be replaced.

3. **Disconnect the Power Cord Plug from the power source before making any adjustments, changing accessories, or storing the tool.** Such preventive safety measures reduce the risk of starting the tool accidentally. **Always unplug the tool from its electrical outlet before performing any inspection, maintenance, or cleaning procedures.**
4. **Store Lamp out of reach of children and other untrained persons.** Tools are dangerous in the hands of untrained users.
5. **Check for misalignment or binding of moving parts, breakage of parts, and any other condition that may affect the Lamp's operation. If damaged, have the Lamp serviced before using.** Many accidents are caused by poorly maintained tools. Do not use a damaged tool.
6. **Use only light bulbs that are recommended by the manufacturer for your model.** New bulbs should only be installed by a qualified electrical technician.
7. **Only mount Lamp to provided stand.**

SERVICE

1. **Service on the Lamp must be performed only by qualified repair personnel.** Service or maintenance performed by unqualified personnel could result in a risk of injury.
2. **When servicing this tool, use only identical replacement parts. Follow instructions in the "Inspection, Maintenance, And Cleaning" section of this manual.** Use of unauthorized parts or failure to follow maintenance instructions may create a risk of electric shock or injury.

SPECIFIC SAFETY RULES

1. **Maintain labels and nameplates on the tool.** These carry important information. If unreadable or missing, contact Harbor Freight Tools for a replacement.
2. **Always keep the extension cord away from moving or hot parts on the tool.**
3. **Use only on a flat, level surface able to support the weight of the Lamp.**
4. **Never leave the Lamp unattended when it is plugged into an electrical outlet.** Turn off the tool, and unplug it from its electrical outlet before leaving.
5. **Allow to cool completely before moving, maintaining or storing Lamp.**
6. **Keep children away from this lamp, especially when it is in use, or still hot.**
7. **Follow all precautions provided with paint used.**
8. **Do not place closer than 12 inches from surface being dried.**

9. **Replace Lamp guard before plugging in.**
10. **WARNING: This product contains or, when used, produces a chemical known to the State of California to cause cancer and birth defects or other reproductive harm.** (California Health & Safety Code § 25249.5, *et seq.*)




EXTENSION CORDS

1. **Grounded** tools require a three wire extension cord. **Double Insulated** tools can use either a two or three wire extension cord.
2. As the distance from the supply outlet increases, you must use a heavier gauge extension cord. Using extension cords with inadequately sized wire causes a serious drop in voltage, resulting in loss of power and possible tool damage.
(See Table A.)
3. The smaller the gauge number of the wire, the greater the capacity of the cord. For example, a 14 gauge cord can carry a higher current than a 16 gauge cord.
(See Table A.)
4. When using more than one extension cord to make up the total length, make sure each cord contains at least the minimum wire size required. **(See Table A.)**
5. If you are using one extension cord for more than one tool, add the nameplate amperes and use the sum to determine the required minimum cord size.
(See Table A.)
6. If you are using an extension cord outdoors, make sure it is marked with the suffix "W-A" ("W" in Canada) to indicate it is acceptable for outdoor use.
7. Make sure your extension cord is properly wired and in good electrical condition. Always replace a damaged extension cord or have it repaired by a qualified electrician before using it.
8. Protect your extension cords from sharp objects, excessive heat, and damp or wet areas.

RECOMMENDED MINIMUM WIRE GAUGE FOR EXTENSION CORDS* (120 OR 240 VOLT)					
NAMEPLATE AMPERES (at full load)	EXTENSION CORD LENGTH				
	25 Feet	50 Feet	75 Feet	100 Feet	150 Feet
0 – 2.0	18	18	18	18	16
2.1 – 3.4	18	18	18	16	14
3.5 – 5.0	18	18	16	14	12
5.1 – 7.0	18	16	14	12	12
7.1 – 12.0	18	14	12	10	-
12.1 – 16.0	14	12	10	-	-
16.1 – 20.0	12	10	-	-	-

TABLE A * Based on limiting the line voltage drop to five volts at 150% of the rated amperes.

SYMBOLOLOGY

	Double Insulated
	Canadian Standards Association
	Underwriters Laboratories, Inc.
V~	Volts Alternating Current
A	Amperes
n ₀ xxxx/min.	No Load Revolutions per Minute (RPM)

UNPACKING

When unpacking, check to make sure that the item is intact and undamaged. If any parts are missing or broken, please call Harbor Freight Tools at the number shown on the cover of this manual as soon as possible.

ASSEMBLY INSTRUCTIONS

Note: For additional information regarding the parts listed in the following pages, refer to the Assembly Diagram near the end of this manual.

1. **⚠ WARNING!** Make sure the Power Switch on the Lamp Head (9) is in the “OFF” position and that the Lamp is unplugged from the electrical outlet before assembling or making any adjustments to the tool. (See **Figure A**, below.)

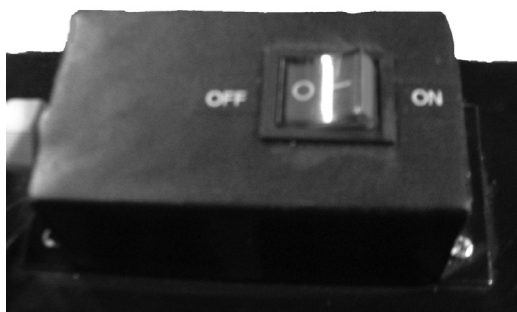


Figure A

2. Insert the Casters (3) into the ends of the Legs (2). Using a wrench (not included), use the included nuts, bolts and washers to fasten the Casters to the Legs. **CAUTION:** The Casters do not come with locks, so be sure to position the Lamp on a level surface during use to prevent rolling.
3. Set the four legs upright and using the Leg Bolts (4), washers and nuts, fasten each leg to the Bottom Pole (1). (See **Figure B**, below.)

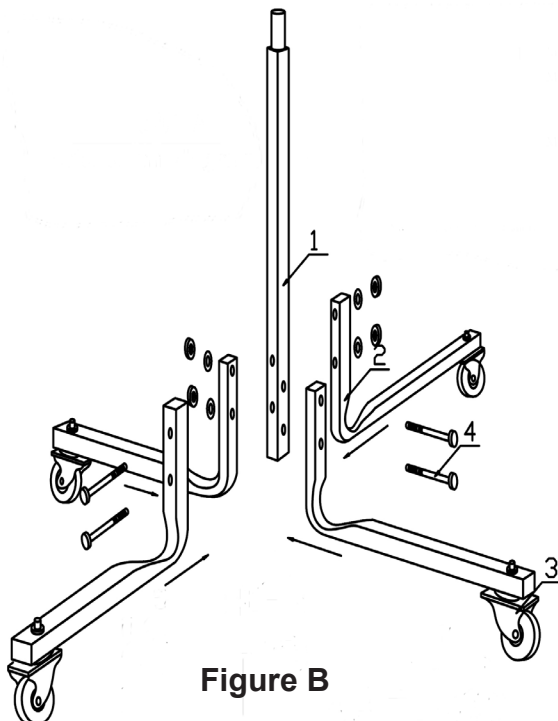
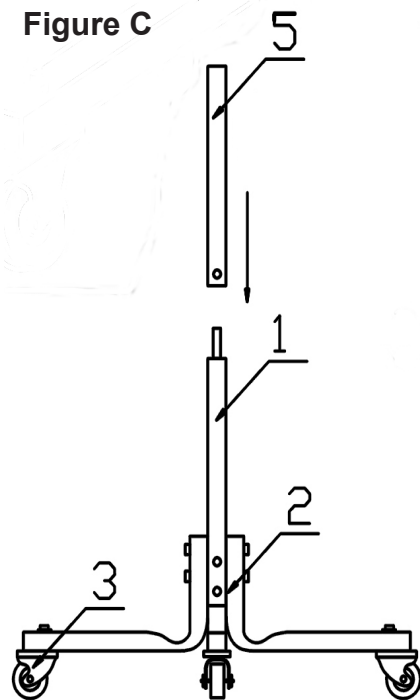
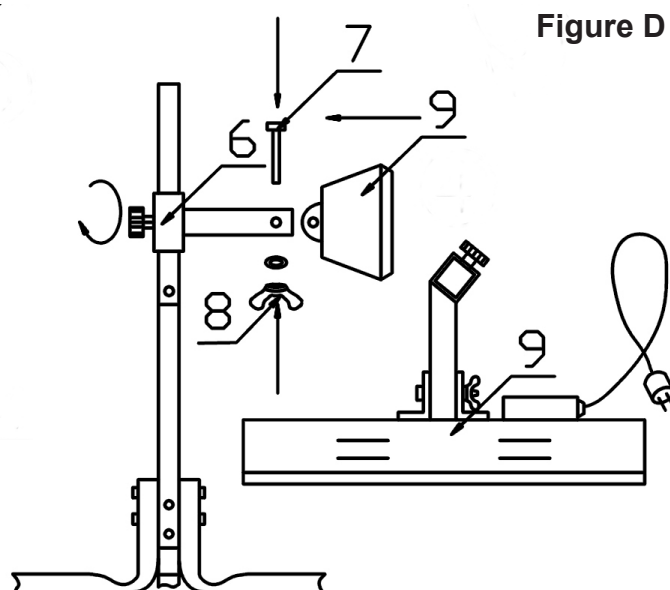


Figure B

- Slide the Top Pole (5) onto the top of the Bottom Pole (1), making sure the screw holes on the Top and Bottom Poles align. (See **Figure C**, below.) Using a Phillips Head screwdriver (not included), fasten the Top Pole to the Bottom Pole.



- Slide the Connector (6) onto the Top Pole (5). Use the handle to lock the Connector in place. Using the Connector Bolt (7) and Wing Nut (8), fasten the Lamp Head (9) to the Connector. Once the Lamp Head is set at the required angle and the Connector adjusted to the proper height, insert the plug at the end of the Power Cord (10) into the nearest outlet. (See **Figure D**, below.)




OPERATION INSTRUCTIONS

1. Read the drying directions for the type of paint being used. Multiple layers of paint may effect proper drying time.
2. The object to be dried should be placed between 12” and 20” from the Lamp. Refer to instructions for the paint being used.
3. Clear area of all potentially flammable items, including those that may melt or be damaged by heat. Never use near fuel, fuel lines, or oil of any sort.
4. To adjust the height of the Lamp, turn the knob on the Connector (6) counterclockwise and slide the Lamp Head (9) up or down along the Top Pole (5) until the desired height is reached. Turn the knob on the Connector (6) clockwise until the Connector is secured in place.
5. To Adjust the angle of the Lamp Head (9), turn the Wing Nut (8) counterclockwise until the Connector Bolt (7) loosens, allowing the angle of the Lamp Head (9) to be adjusted. Once the desired angle is found, turn the Wing Nut (8) clockwise to secure the Lamp Head (9) in place.
6. Plug the Lamp into a 3-prong outlet, and turn Power Switch on the Lamp Head (9) to the “ON” position.
7. Make sure the Lamp is on a flat, level surface to prevent rolling. When moving the Lamp, slowly guide the Lamp along the floor by pulling on the center of the Bottom Pole (1) to avoid danger of tipping.
8. Monitor Lamp and adjust as necessary to ensure quality finish.
9. Allow the Lamp to cool before moving and do not touch the Lamp bulb with bare fingers.

Caution: Keep fingers and all objects clear of Lamp at all times. When in use, and immediately afterwards, the bulb will be hot and could cause injury if touched.

INSPECTION, MAINTENANCE, AND CLEANING

1.  **WARNING!** Make sure the Power Switch of the Lamp is in its “OFF” position, that the tool is unplugged from its electrical outlet, and that the unit is allowed to cool completely before performing any inspection, maintenance, or cleaning procedures.
2. **BEFORE EACH USE**, inspect the general condition of the Lamp. Check for loose screws, misalignment or binding of moving parts, cracked or broken parts, damaged electrical wiring, and any other condition that may affect its safe operation. If abnormal noise or vibration occurs, have the problem corrected before further use. **Do not use damaged equipment.**

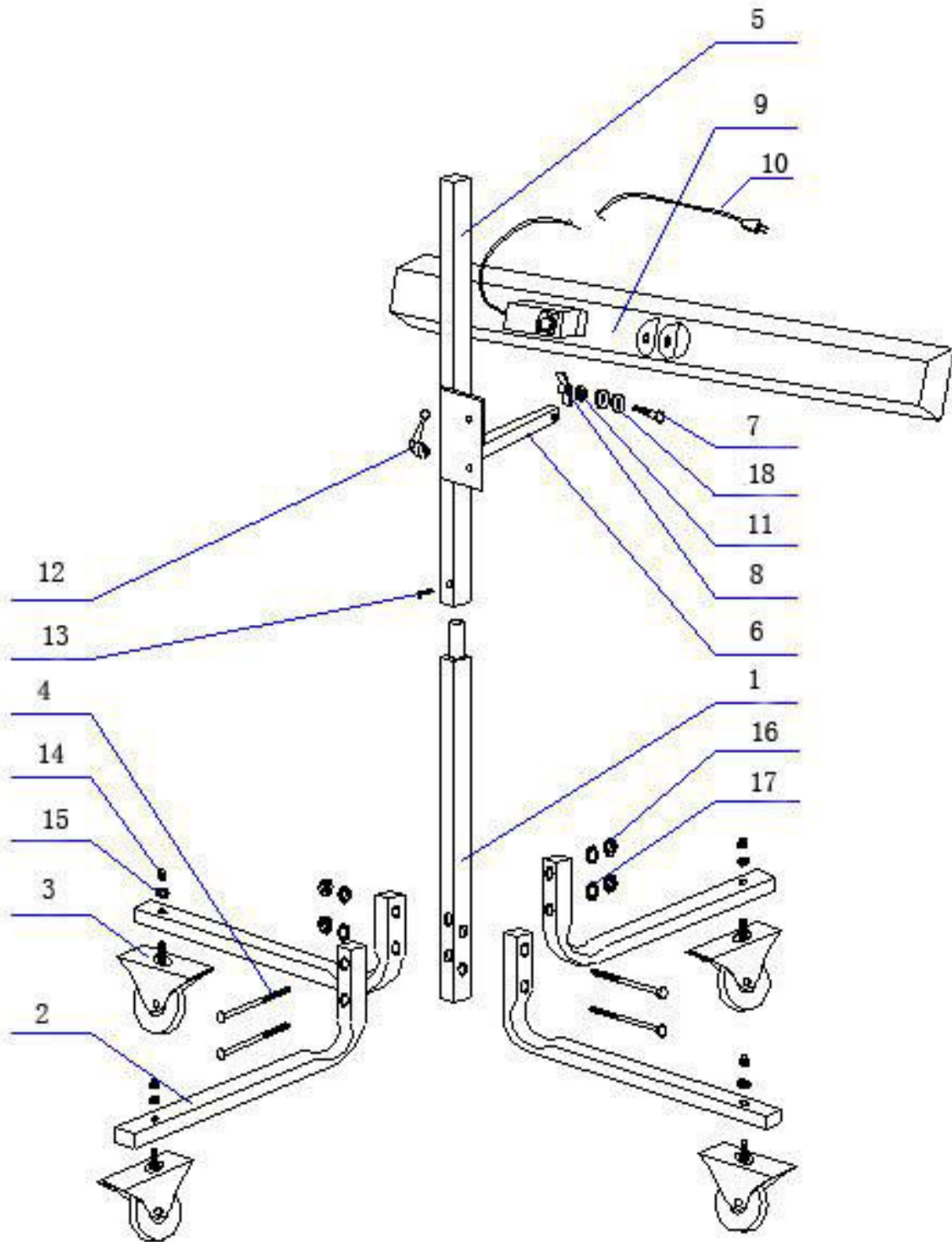
PARTS LIST

Part	Description	Qty
1	Bottom Pole	1
2	Legs	4
3	Casters	4
4	Leg Bolts M8 x 85	4
5	Top Pole	1
6	Connector	1
7	Connector Bolt M8 x 40	1
8	Wing Nut	1
9	Lamp Head	1
10	Power Cord	1
11	Washer Ø8	1
12	Fixing Handle	1
13	Bolt M4 x 10	1
14	Cap Nuts M8	4
15	Washer Ø8	4
16	Nuts M8	4
17	Washers Ø8	4
18	Plastic Washers	2

PLEASE READ THE FOLLOWING CAREFULLY

THE MANUFACTURER AND/OR DISTRIBUTOR HAS PROVIDED THE PARTS LIST AND ASSEMBLY DIAGRAM IN THIS MANUAL AS A REFERENCE TOOL ONLY. NEITHER THE MANUFACTURER OR DISTRIBUTOR MAKES ANY REPRESENTATION OR WARRANTY OF ANY KIND TO THE BUYER THAT HE OR SHE IS QUALIFIED TO MAKE ANY REPAIRS TO THE PRODUCT, OR THAT HE OR SHE IS QUALIFIED TO REPLACE ANY PARTS OF THE PRODUCT. IN FACT, THE MANUFACTURER AND/OR DISTRIBUTOR EXPRESSLY STATES THAT ALL REPAIRS AND PARTS REPLACEMENTS SHOULD BE UNDERTAKEN BY CERTIFIED AND LICENSED TECHNICIANS, AND NOT BY THE BUYER. THE BUYER ASSUMES ALL RISK AND LIABILITY ARISING OUT OF HIS OR HER REPAIRS TO THE ORIGINAL PRODUCT OR REPLACEMENT PARTS THERETO, OR ARISING OUT OF HIS OR HER INSTALLATION OF REPLACEMENT PARTS THERETO.

ASSEMBLY DIAGRAMS



LIMITED 90 DAY WARRANTY

Harbor Freight Tools Co. makes every effort to assure that its products meet high quality and durability standards, and warrants to the original purchaser that this product is free from defects in materials and workmanship for the period of 90 days from the date of purchase. This warranty does not apply to damage due directly or indirectly, to misuse, abuse, negligence or accidents, repairs or alterations outside our facilities, criminal activity, improper installation, normal wear and tear, or to lack of maintenance. We shall in no event be liable for death, injuries to persons or property, or for incidental, contingent, special or consequential damages arising from the use of our product. Some states do not allow the exclusion or limitation of incidental or consequential damages, so the above limitation of exclusion may not apply to you. THIS WARRANTY IS EXPRESSLY IN LIEU OF ALL OTHER WARRANTIES, EXPRESS OR IMPLIED, INCLUDING THE WARRANTIES OF MERCHANTABILITY AND FITNESS.

To take advantage of this warranty, the product or part must be returned to us with transportation charges prepaid. Proof of purchase date and an explanation of the complaint must accompany the merchandise. If our inspection verifies the defect, we will either repair or replace the product at our election or we may elect to refund the purchase price if we cannot readily and quickly provide you with a replacement. We will return repaired products at our expense, but if we determine there is no defect, or that the defect resulted from causes not within the scope of our warranty, then you must bear the cost of returning the product.

This warranty gives you specific legal rights and you may also have other rights which vary from state to state.

3491 Mission Oaks Blvd. • PO Box 6009 • Camarillo, CA 93011 • (800) 444-3353

Record Product's Serial Number Here: _____

Note: If product has no serial number, record month and year of purchase instead.

Note: Some parts are listed and shown for illustration purposes only, and are not available individually as replacement parts.

Free Manuals Download Website

<http://myh66.com>

<http://usermanuals.us>

<http://www.somanuals.com>

<http://www.4manuals.cc>

<http://www.manual-lib.com>

<http://www.404manual.com>

<http://www.luxmanual.com>

<http://aubethermostatmanual.com>

Golf course search by state

<http://golfingnear.com>

Email search by domain

<http://emailbydomain.com>

Auto manuals search

<http://auto.somanuals.com>

TV manuals search

<http://tv.somanuals.com>