

CHICAGO
Electric® Power Tools

14" HEAVY DUTY CUT-OFF SAW

Model 91938

SET UP AND OPERATING INSTRUCTIONS



Visit our website at: <http://www.harborfreight.com>



**Read this material before using this product.
Failure to do so can result in serious injury.
SAVE THIS MANUAL.**

Copyright© 2004 by Harbor Freight Tools®. All rights reserved. No portion of this manual or any artwork contained herein may be reproduced in any shape or form without the express written consent of Harbor Freight Tools. Diagrams within this manual may not be drawn proportionally. Due to continuing improvements, actual product may differ slightly from the product described herein. Tools required for assembly and service may not be included.

For technical questions or replacement parts, please call 1-800-444-3353.

Manual Revised 10a

CONTENTS

IMPORTANT SAFETY INFORMATION	3
GENERAL TOOL SAFETY WARNINGS.	3
GROUNDING INSTRUCTIONS	5
110-120 V~ GROUNDED TOOLS: TOOLS WITH THREE PRONG PLUGS.....	5
CUT-OFF SAW SAFETY WARNINGS	5
SPECIFICATIONS.....	8
UNPACKING	8
INSTRUCTIONS FOR PUTTING INTO USE	8
FUNCTIONS	8
OPERATING INSTRUCTIONS	9
TOOL SET UP	9
WORK PIECE AND WORK AREA SET UP	10
GENERAL OPERATING INSTRUCTIONS	11
MAINTENANCE AND SERVICING... 	12
CLEANING, MAINTENANCE, AND LUBRICATION	12
TROUBLESHOOTING.....	13
PARTS LIST	14
ASSEMBLY DIAGRAM.....	15
LIMITED 90 DAY WARRANTY	16

SAVE THIS MANUAL

Keep this manual for the safety warnings and precautions, assembly, operating, inspection, maintenance and cleaning procedures. Write the product's serial number in the back of the manual near the assembly diagram (or month and year of purchase if product has no number). Keep this manual and the receipt in a safe and dry place for future reference.

IMPORTANT SAFETY INFORMATION

In this manual, on the labeling, and all other information provided with this product:



This is the safety alert symbol. It is used to alert you to potential personal injury hazards. Obey all safety messages that follow this symbol to avoid possible injury or death.

DANGER

DANGER indicates a hazardous situation which, if not avoided, will result in death or serious injury.

WARNING

WARNING indicates a hazardous situation which, if not avoided, could result in death or serious injury.

CAUTION

CAUTION, used with the safety alert symbol, indicates a hazardous situation which, if not avoided, could result in minor or moderate injury.

NOTICE

NOTICE is used to address practices not related to personal injury.

CAUTION

CAUTION, without the safety alert symbol, is used to address practices not related to personal injury.

General Tool Safety Warnings



WARNING Read all safety warnings and instructions. Failure to follow the warnings and instructions may result in electric shock, fire and/or serious injury.

Save all warnings and instructions for future reference.

1. KEEP GUARDS IN PLACE and in working order.
2. REMOVE ADJUSTING KEYS AND WRENCHES. Form habit of checking to see that keys and adjusting wrenches are removed from tool before turning it on.
3. KEEP WORK AREA CLEAN. Cluttered areas and benches invite accidents.
4. DON'T USE IN DANGEROUS ENVIRONMENT. Don't use power tools in damp or wet locations, or expose them to rain. Keep work area well lighted.
5. KEEP CHILDREN AWAY. All visitors should be kept safe distance from work area.
6. MAKE WORKSHOP KID PROOF with padlocks, master switches, or by removing starter keys.
7. DON'T FORCE TOOL. It will do the job better and safer at the rate for which it was designed.

8. USE RIGHT TOOL. Don't force tool or attachment to do a job for which it was not designed.

RECOMMENDED MINIMUM WIRE GAUGE FOR EXTENSION CORDS (120 VOLT)				
NAMEPLATE AMPERES (at full load)	EXTENSION CORD LENGTH			
	25'	50'	100'	150'
0 – 6	18	16	16	14
6.1 – 10	18	16	14	12
10.1 – 12	16	16	14	12
12.1 – 16	14	12	Do not use.	

TABLE A

9. USE PROPER EXTENSION CORD. Make sure your extension cord is in good condition. When using an extension cord, be sure to use one heavy enough to carry the current your product will draw. An undersized cord will cause a drop in line voltage resulting in loss of power and overheating. Table A shows the correct size to use depending on cord length and nameplate ampere rating. If in doubt, use the next heavier gauge. The smaller the gauge number, the heavier the cord.
10. WEAR PROPER APPAREL. Do not wear loose clothing, gloves, neckties, rings, bracelets, or other jewelry which may get caught in moving parts. Nonslip footwear is recommended. Wear protective hair covering to contain long hair.
11. ALWAYS USE SAFETY GLASSES. Also use face or dust mask if cutting operation is dusty. Everyday eyeglasses only have impact resistant lenses, they are NOT safety glasses.
12. SECURE WORK. Use vise to hold work when practical. It's safer than using your hand and it frees both hands to operate tool.

13. DON'T OVERREACH. Keep proper footing and balance at all times.
14. MAINTAIN TOOLS WITH CARE. Keep tools sharp and clean for best and safest performance. Follow instructions for lubricating and changing accessories.
15. DISCONNECT TOOLS before servicing; when changing accessories, such as blades, bits, cutters, and the like.
16. REDUCE THE RISK OF UNINTENTIONAL STARTING. Make sure switch is in off position before plugging in.
17. USE RECOMMENDED ACCESSORIES. Consult the owner's manual for recommended accessories. The use of improper accessories may cause risk of injury to persons.
18. NEVER STAND ON TOOL. Serious injury could occur if the tool is tipped or if the cutting tool is unintentionally contacted.
19. CHECK DAMAGED PARTS. Before further use of the tool, a guard or other part that is damaged should be carefully checked to determine that it will operate properly and perform its intended function – check for alignment of moving parts, binding of moving parts, breakage of parts, mounting, and any other conditions that may affect its operation. A guard or other part that is damaged should be properly repaired or replaced.
20. DIRECTION OF FEED. Feed work into a blade or cutter against the direction of rotation of the blade or cutter only.
21. NEVER LEAVE TOOL RUNNING UNATTENDED. TURN POWER OFF. Don't leave tool until it comes to a complete stop.

GROUNDING INSTRUCTIONS

⚠ WARNING TO PREVENT ELECTRIC SHOCK AND DEATH FROM INCORRECT GROUNDING WIRE CONNECTION READ AND FOLLOW THESE INSTRUCTIONS:

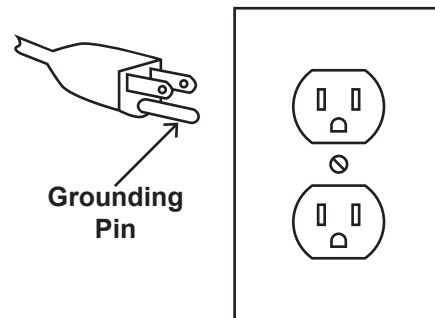


110-120 V~ Grounded Tools: Tools with Three Prong Plugs

1. In the event of a malfunction or breakdown, grounding provides a path of least resistance for electric current to reduce the risk of electric shock. This tool is equipped with an electric cord having an equipment-grounding conductor and a grounding plug. The plug must be plugged into a matching outlet that is properly installed and grounded in accordance with all local codes and ordinances.
2. Do not modify the plug provided – if it will not fit the outlet, have the proper outlet installed by a qualified electrician.
3. Improper connection of the equipment-grounding conductor can result in a risk of electric shock. The conductor with insulation having an outer surface that is green with or without yellow stripes is the equipment-grounding conductor. If repair or replacement of the electric cord or plug is necessary, do not connect the equipment-grounding conductor to a live terminal.
4. Check with a qualified electrician or service personnel if the grounding instructions are not completely understood, or if in doubt as to whether the tool is properly grounded.
5. Use only 3-wire extension cords that have 3-prong grounding plugs and

3-pole receptacles that accept the tool's plug.

6. Repair or replace damaged or worn cord immediately.



125 V~ 3-Prong Plug and Outlet
(for up to 125 V~ and up to 15 A)

7. This tool is intended for use on a circuit that has an outlet that looks like the one illustrated above in **125 V~ 3-Prong Plug and Outlet**. The tool has a grounding plug that looks like the plug illustrated above in **125 V~ 3-Prong Plug and Outlet**.
8. The outlet must be properly installed and grounded in accordance with all codes and ordinances.
9. Do not use an adapter to connect this tool to a different outlet.

Cut-off Saw Safety Warnings

For Your Own Safety Read Instruction Manual Before Operating Cut-off Saw

1. Check Swing Guard (53) for proper closing before each use. Do not operate the Saw if the Swing Guard does not move freely and close instantly. Never clamp or tie the Swing Guard (53) into the open position. If the saw is accidentally dropped, the Swing Guard (53) may be bent. Raise the Swing Guard (53) and make sure it moves freely and does not touch the Cut-Off Wheel or another part, in all depths of cut.

2. The Swing Guard (53) should be retracted manually only for special cuts such as "Pocket Cuts) and "Compound Cuts." Raise the Swing Guard (53) only enough to begin the cut. As soon as the Cut-Off Wheel enters the material, the Swing Guard (53) must be released. For all other sawing, the Swing Guard (53) should be allowed to operate automatically.
3. The Saw is not to be used for any cutting in the locked down position. The Saw should be locked down position only for carrying and storage.
4. Always use Cut-Off Wheels with a 14" diameter, 1" arbor hole, and rated at a minimum of 3750 RPM. Cut-Off Wheels that do not match the mounting hardware of the Saw or that are rated at less than the Saw's maximum RPM may fly off the Saw or may run eccentrically, causing loss of control.
5. Never use damaged or incorrect Cut-Off Wheel washers or bolts. The Cut-Off Wheel's washers and bolts were specially designed for your Saw, for optimum performance and safety of operation.
6. Do not use the included Cut-Off Wheel to cut aluminum, copper, brass, or other non-ferrous metals. The included Cut-Off Wheel is designed to cut only ferrous (iron containing) metals such as steel alloys and cast iron. If using other Cut-Off Wheels, only use them on materials that the manufacturer recommends.
7. Before using the Cut-Off Saw, make sure the Cut-Off Wheel is properly mounted on the saw spindle. Make sure the Cut-Off Wheel is balanced and is not broken or bent.
8. Wear eye protection.
9. Use grinding wheel suitable for speed of cut-off saw.
10. Replace cracked wheel immediately.
11. Do not overtighten wheel nut.
12. Use only flanges furnished with the cut-off saw.
13. Frequently clean grinding dust from beneath cut-off saw.
14. Wear a full face shield over ANSI-approved safety goggles during use.
15. **DO NOT OPERATE WITH ANY GUARD DISABLED, DAMAGED, OR REMOVED. Moving guards must move freely and close instantly.**
16. The use of accessories or attachments not recommended by the manufacturer may result in a risk of injury to persons.
17. When servicing use only identical replacement parts.
18. Only use safety equipment that has been approved by an appropriate standards agency. Unapproved safety equipment may not provide adequate protection. Eye protection must be ANSI-approved and breathing protection must be NIOSH-approved for the specific hazards in the work area.
19. Industrial applications must follow OSHA guidelines.
20. Maintain labels and nameplates on the tool. These carry important safety information. If unreadable or missing, contact Harbor Freight Tools for a replacement.
21. Avoid unintentional starting. Prepare to begin work before turning on the tool.
22. People with pacemakers should consult their physician(s) before use. Electromagnetic fields in close proximity to heart pacemaker could cause

pacemaker interference or pacemaker failure.

23. **WARNING:** Some dust created by power sanding, sawing, grinding, drilling, and other construction activities, contains chemicals known [to the State of California] to cause cancer, birth defects or other reproductive harm. Some examples of these chemicals are:
- Lead from lead-based paints
 - Crystalline silica from bricks and cement or other masonry products
 - Arsenic and chromium from chemically treated lumber
- Your risk from these exposures varies, depending on how often you do this type of work. To reduce your exposure to these chemicals: work in a well ventilated area, and work with approved safety equipment, such as those dust masks that are specially designed to filter out microscopic particles. (California Health & Safety Code § 25249.5, *et seq.*)

24. **WARNING:** Handling the cord on this product will expose you to lead, a chemical known to the State of California to cause cancer, and birth defects or other reproductive harm. Wash hands after handling. (California Health & Safety Code § 25249.5, *et seq.*)

25. The warnings, precautions, and instructions discussed in this instruction manual cannot cover all possible conditions and situations that may occur. It must be understood by the operator that common sense and caution are factors which cannot be built into this product, but must be supplied by the operator.

injury, particularly to the hands, arms and shoulders. To reduce the risk of vibration-related injury:

1. Anyone using vibrating tools regularly or for an extended period should first be examined by a doctor and then have regular medical check-ups to ensure medical problems are not being caused or worsened from use. Pregnant women or people who have impaired blood circulation to the hand, past hand injuries, nervous system disorders, diabetes, or Raynaud's Disease should not use this tool. If you feel any medical or physical symptoms related to vibration (such as tingling, numbness, and white or blue fingers), seek medical advice as soon as possible.
2. Do not smoke during use. Nicotine reduces the blood supply to the hands and fingers, increasing the risk of vibration-related injury.
3. Wear suitable gloves to reduce the vibration effects on the user.
4. Use tools with the lowest vibration when there is a choice between different processes.
5. Include vibration-free periods each day of work.
6. Grip tool as lightly as possible (while still keeping safe control of it). Let the tool do the work.
7. To reduce vibration, maintain the tool as explained in this manual. If any abnormal vibration occurs, stop use immediately.

Vibration Safety

This tool vibrates during use. Repeated or long-term exposure to vibration may cause temporary or permanent physical



**SAVE THESE
INSTRUCTIONS.**

SPECIFICATIONS

Electrical Input	120 V~ / 60 Hz / 2 HP
Motor No Load Speed	3500 RPM
Max. Accessory Diameter	14"
Recommended Cut-Off Wheel Types	14" Cut-Off Wheel for Metal (SKU 44814, included) 14" Cut-Off Wheel for Masonry (SKU 44815)
Cutting Capacity	4-1/4"
Quick Release Vise Capacities	7" (1st Setting), 9-1/2" (2nd Setting)
Arbor Size	1"

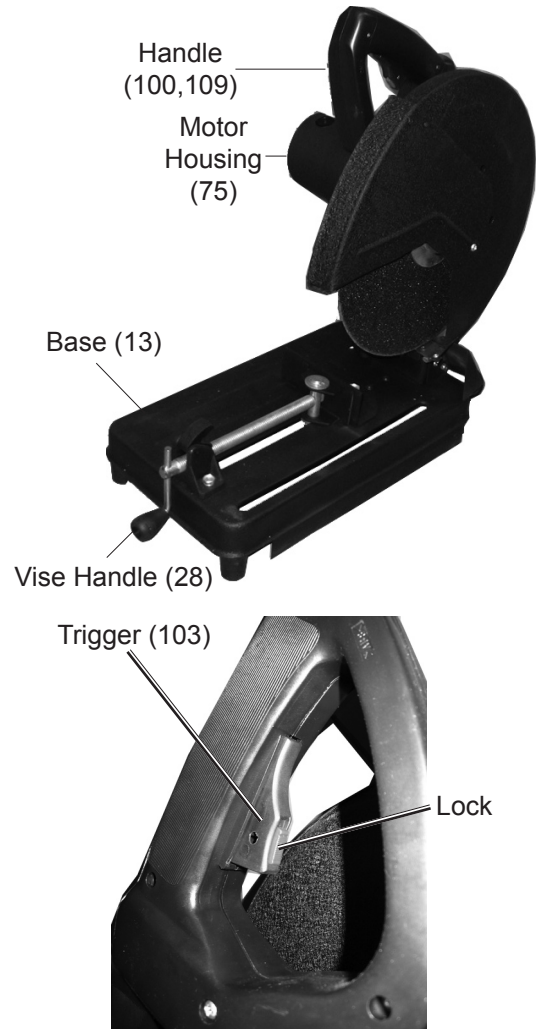


UNPACKING

When unpacking, make sure that the item is intact and undamaged. If any parts are missing or broken, please call Harbor Freight Tools at 1-800-444-3353 as soon as possible.

INSTRUCTIONS FOR PUTTING INTO USE

Functions



OPERATING INSTRUCTIONS



Read the **ENTIRE IMPORTANT SAFETY INFORMATION** section at the beginning of this manual including all text under subheadings therein before set up or use of this product.

Tool Set Up



TO PREVENT SERIOUS INJURY

FROM ACCIDENTAL OPERATION:

Release the Trigger, unplug the tool from its electrical outlet and allow the wheel to cool completely before performing any inspection, maintenance, or cleaning procedures.

To Remove or Install a Cut-Off Wheel

1. Raise the Saw if it is locked down by pushing down on it and pulling out the Lock Ball (25).
2. Open the Swing Guard (53) and tighten the Bolt (112) to secure it while working on the Wheel.

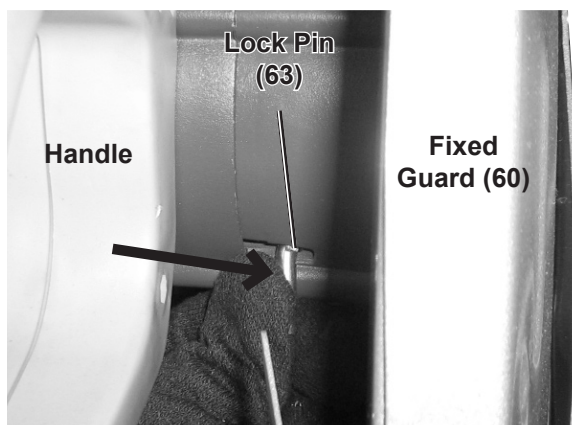


FIGURE 1

3. Push the Lock Pin (63) towards the Fixed Guard (60) as shown in **FIGURE**

1. Rotate the wheel until the Lock Pin (63) slides into place.

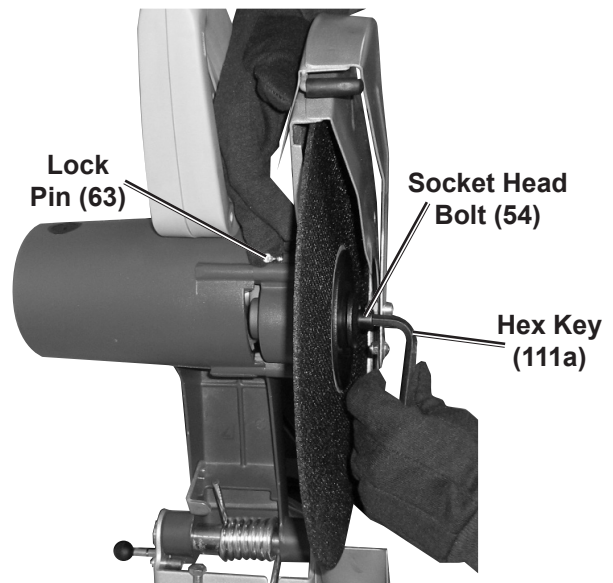
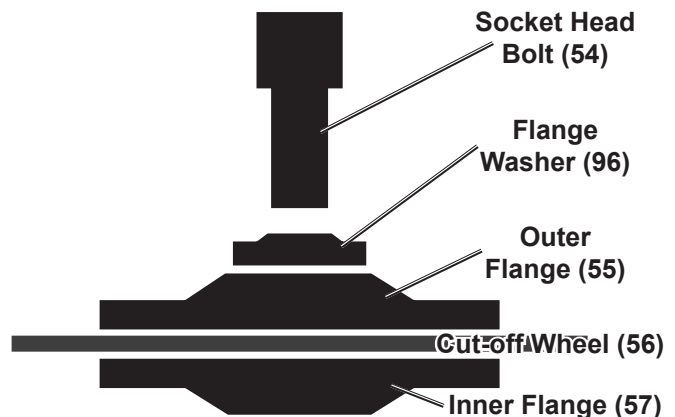


FIGURE 2

4. While continuing to hold down the Lock Pin (63), use the Hex Key (111a) to loosen the Socket Head Bolt (54). See **FIGURE 2**.
5. Remove the Socket Head Bolt (54), the Flange Washer (96), the Outer Flange (55), and the Cut-Off Wheel (56).



6. Replace with a new Cut-Off Wheel (56), and reassemble the parts listed above in number 3. The concave side of the Outer Flange (55) must face the wheel. While holding the Lock Pin (63), tighten the Socket Head Bolt (54) with the Hex Key (111a).

7. **LOOSEN THE BOLT (112) and make sure that the Swing Guard (53) moves freely back into place before operation.**

Depth Adjustment

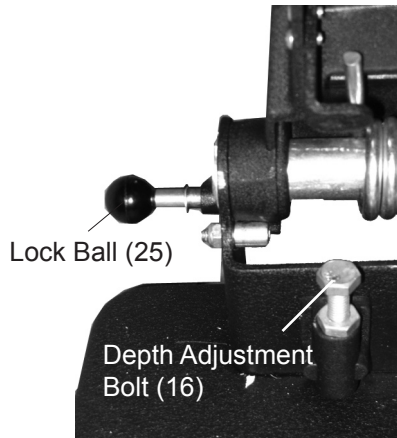


FIGURE 3

To adjust the depth, turn the Depth Adjustment Bolt (16) shown in **FIGURE 3**.

Work Piece and Work Area Set Up

1. Designate a work area that is clean and well-lit. The work area must not allow access by children or pets to prevent distraction and injury.
2. Route the power cord along a safe route to reach the work area without creating a tripping hazard or exposing the power cord to possible damage. The power cord must reach the work area with enough extra length to allow free movement while working.
3. Secure loose work pieces using the vise to prevent movement while working:

Quick Release (31) Place Workpiece Here

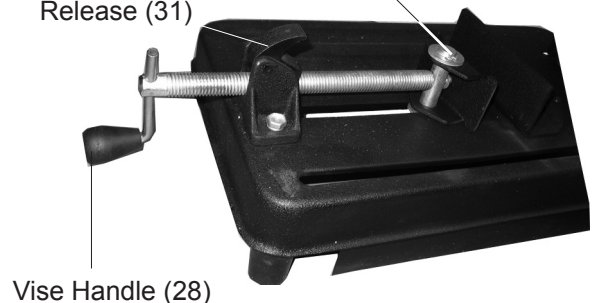


FIGURE 4

- a. To use the Quick Release (31), put the Quick Release (31) tab in the position shown in **FIGURE 4** and push the Vise Handle (28) up against the workpiece. Then tighten the Vise Handle (28). When releasing, loosen the Vise Handle (28) a few turns, lift up the Quick Release (31), and pull the Vise Handle (28) open.

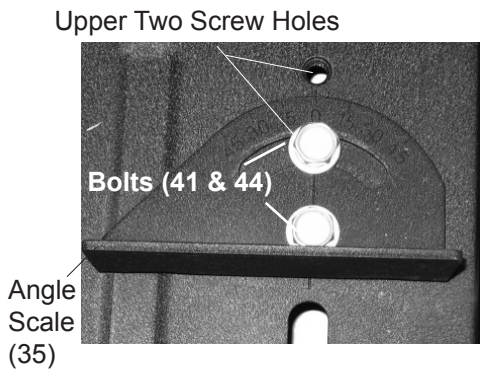


FIGURE 5

- b. To cut at various angles (up to 45 degrees), adjust the Angle Scale (35) by loosening the two Bolts (41 & 44) as shown in **FIGURE 5**. Adjust the Angle Scale to the desired setting and then tighten the Bolts (41 & 44).
 - c. To reposition the Angle Scale (35), remove both of the Bolts (41 & 44), and reattach the Angle Scale at the upper two screw holes. See **FIGURE 4**.
4. There must not be objects, such as utility lines, nearby that will present a hazard while working.

General Operating Instructions

⚠ WARNING TO PREVENT SERIOUS INJURY: DO NOT OPERATE WITH ANY GUARD DISABLED, DAMAGED, OR REMOVED. Moving guards must move freely and close instantly. Bolt (112) MUST be loose before operation.

1. Using the vise, secure your workpiece and, if necessary, adjust the angle of the cut.
2. Raise the Saw by pushing down on it and pulling out the Lock Ball (25).
3. Plug the Power Cord into the nearest 120 V~, grounded, electrical outlet. Slide the Trigger Lock and pull the Trigger to

start the Saw. Allow the Cut-Off Wheel to attain full speed.

4. With one hand on the Handle and the other hand clear, slowly bring the Saw down onto the Base, letting the Saw do the work. Do not apply excessive force.
5. If the Cut-Off Wheel does not cut all the way through the workpiece, raise the Saw and release the Trigger. Unplug the unit. Wait until the unit comes to a full stop. Remove the workpiece. Set the depth adjustment to a deeper setting. After adjusting the depth, bring the Saw all the way down to make sure the Cut-Off Wheel doesn't contact the Base. If it does contact any part of the Base, re-adjust the depth so it doesn't.
6. Repeat the cutting process starting with number 1 above.
7. Once the cut is completed, turn off the Saw by releasing the Trigger and unplug the unit. Do not attempt to remove the workpiece until the Cut-Off Wheel has stopped moving.
8. To prevent accidents, turn off the tool, disconnect its power supply, and lock it down by pushing it down as far as it will go, and then pushing the Lock Ball (25) in after use. Clean, then store the tool indoors out of children's reach.

MAINTENANCE AND SERVICING



Procedures not specifically explained in this manual must be performed only by a qualified technician.

⚠️ WARNING TO PREVENT SERIOUS INJURY

FROM ACCIDENTAL OPERATION:

Release the Trigger, unplug the tool from its electrical outlet and allow the wheel to cool completely before performing any inspection, maintenance, or cleaning procedures.


TO PREVENT SERIOUS INJURY FROM TOOL FAILURE:

Do not use damaged equipment. If abnormal noise or vibration occurs, have the problem corrected before further use.

Cleaning, Maintenance, and Lubrication

1. **BEFORE EACH USE**, inspect the general condition of the tool. Check for loose hardware, misalignment or binding of moving parts, cracked or broken parts, damaged electrical wiring, and any other condition that may affect its safe operation.
2. **AFTER USE**, wipe external surfaces of the tool with clean cloth.
3. **⚠️ WARNING!** If the supply cord of this power tool is damaged, it must be replaced only by a qualified service technician.

Troubleshooting

Problem	Possible Causes	Likely Solutions
Tool will not start.	<ol style="list-style-type: none"> 1. Cord not connected. 2. No power at outlet. 3. Tool's thermal reset breaker tripped (if equipped). 4. Internal damage or wear. (Carbon brushes or switch, for example.) 	<ol style="list-style-type: none"> 1. Check that cord is plugged in. 2. Check power at outlet. If outlet is unpowered, turn off tool and check circuit breaker. If breaker is tripped, make sure circuit is right capacity for tool and circuit has no other loads. 3. Turn off tool and allow to cool. Press reset button on tool. 4. Have technician service tool.
Tool operates slowly.	Extension cord too long or wire size too small.	Eliminate use of extension cord. If an extension cord is needed, use shorter/heavier gauge cord. See <i>Extension Cords</i> in <i>GROUNDING</i> section.
Performance decreases over time.	Carbon brushes worn or damaged.	Have qualified technician replace brushes.
Excessive noise or rattling.	Internal damage or wear. (Carbon brushes or bearings, for example.)	Have technician service tool.
Overheating.	<ol style="list-style-type: none"> 1. Forcing machine to work too fast. 2. Accessory misaligned. 3. Blocked motor housing vents. 4. Motor being strained by long or small diameter extension cord. 	<ol style="list-style-type: none"> 1. Allow machine to work at its own rate. 2. Check and correct accessory to fence and/or table alignment. 3. Wear ANSI-approved safety goggles and NIOSH-approved dust mask/respirator while blowing dust out of motor using compressed air. 4. Eliminate use of extension cord. If an extension cord is needed, use one with the proper diameter for its length and load. See <i>Extension Cords</i> in <i>GROUNDING</i> section.
 Follow all safety precautions whenever diagnosing or servicing the tool. Disconnect power supply before service.		

PLEASE READ THE FOLLOWING CAREFULLY

THE MANUFACTURER AND/OR DISTRIBUTOR HAS PROVIDED THE PARTS LIST AND ASSEMBLY DIAGRAM IN THIS MANUAL AS A REFERENCE TOOL ONLY. NEITHER THE MANUFACTURER OR DISTRIBUTOR MAKES ANY REPRESENTATION OR WARRANTY OF ANY KIND TO THE BUYER THAT HE OR SHE IS QUALIFIED TO MAKE ANY REPAIRS TO THE PRODUCT, OR THAT HE OR SHE IS QUALIFIED TO REPLACE ANY PARTS OF THE PRODUCT. IN FACT, THE MANUFACTURER AND/OR DISTRIBUTOR EXPRESSLY STATES THAT ALL REPAIRS AND PARTS REPLACEMENTS SHOULD BE UNDERTAKEN BY CERTIFIED AND LICENSED TECHNICIANS, AND NOT BY THE BUYER. THE BUYER ASSUMES ALL RISK AND LIABILITY ARISING OUT OF HIS OR HER REPAIRS TO THE ORIGINAL PRODUCT OR REPLACEMENT PARTS THERETO, OR ARISING OUT OF HIS OR HER INSTALLATION OF REPLACEMENT PARTS THERETO.

PARTS LIST

Part	Description
1	Bolt M6x14
2	Lock Nut
3	Dust Cover
4	Bolt M5x12
5	Lock Nut M6
6	Nut M10
7	Nut M10
8	Binding Ring
9	Washer
10	Nut M8
11	Bolt 4-M6x24
12	Rubber Foot
13	Base
14	Bracket
15	Nut M8
16	Depth Adjustment Bolt
17	Screw
18	Lock Nut M6
19	Bolt 2-M5x10
21	Lock Down Pin
22	Rubber Gasket
23	Rubber Gasket
24	Binding Ring
25	Lock Ball
26	Roll Pin
27	Thread Bar
28	Vise Handle
29	Handle Pin
30	Vise Base
31	Quick Release
32	Lock Washer
33	Screw
34	Sliding Jaw
35	Angle Scale

Part	Description
36	Straight Pin
37	Washer
38	Binding Ring
39	Washer
40	Pin
41	Bolt M10x20
42	Lock Washer
43	Washer
44	Bolt M10x20
45	Lock Washer
46	Washer
53	Swing Guard
54	Socket Head Bolt
55	Outer Flange
56	Cut-Off Wheel
57	Inner Flange
58	Screw
59	Lock Washer
60	Fixed Guard
61	Arbor
62	Spring
63	Lock Pin
64	Bolt 2-M5x54
65	Lock Washer
66	Carbon Brush Holder
67	Carbon Brush
68	Carbon Brush Cover
69	Bolt 2-M5x10
70	Cover
71	Bolt 2-M5x10
72	Screw M4x10
73	Lock Washer
74	Washer
75	Motor Housing

Part	Description
76	Spring
77	Binding Ring
78	Cross Pin
81	Binding Ring
82	Stator
83	Circle Block
84	Bearing
85	Armature
86	Bearing
87	Middle Cover
88	Bearing Ring
89	Binding Ring
90	Gear
91	Front cover
92	Bearing
93	Half Washer
96	Flange Washer
97	Nut M6
98	Bolt M6x10
99	Nut M4
100	Left Handle
101	Nut M5
103	Trigger with Lock
104	Screw
105	Wire Board
106	Sheathing
107	Power Cord
108	Screw
109	Right Handle
110	Bolt 3-M5x50
111a	Hex Key
112	Socket Head Bolt

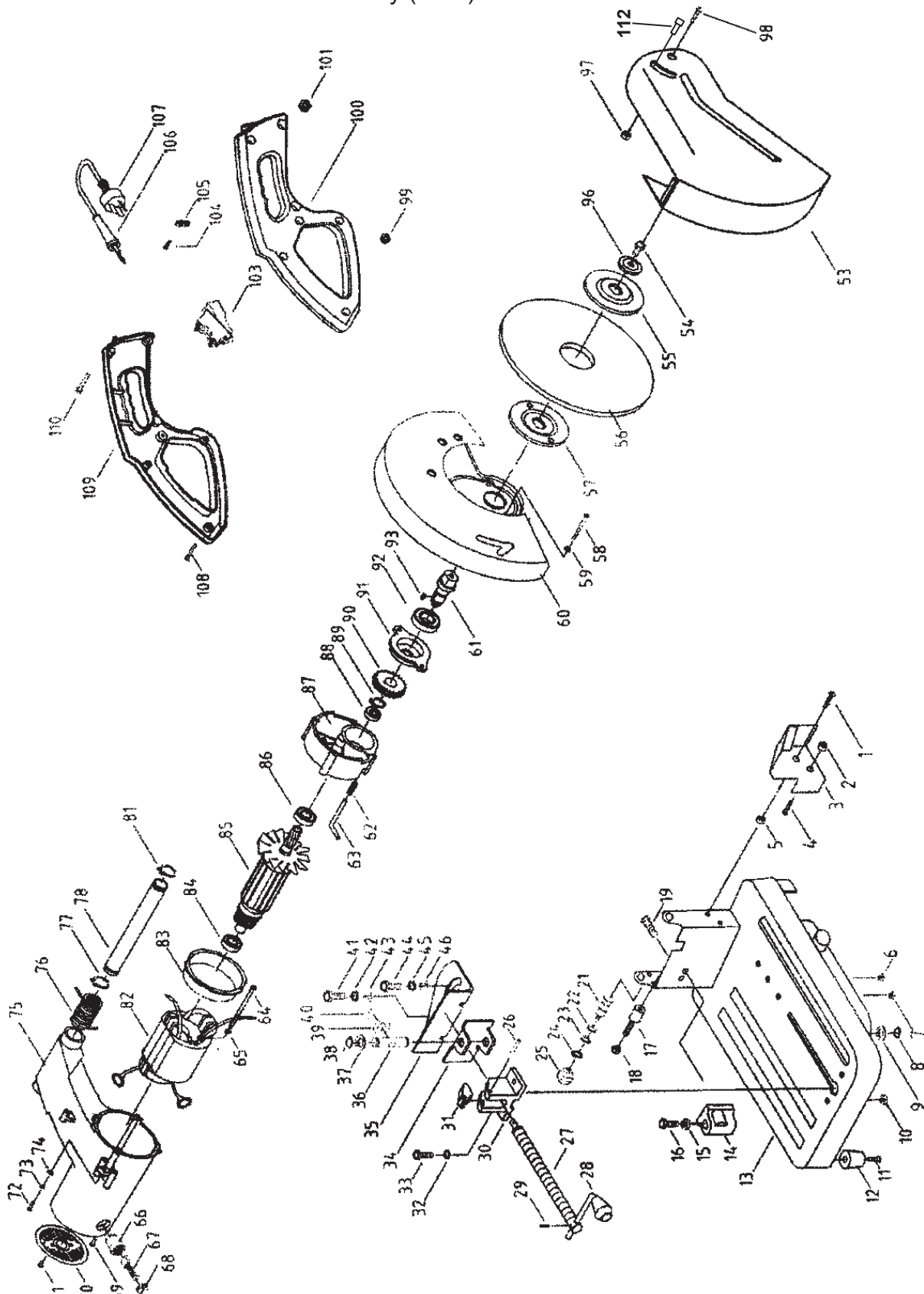
Record Product's Serial Number Here: _____

Note: If product has no serial number, record month and year of purchase instead.

Note: Some parts are listed and shown for illustration purposes only, and are not available individually as replacement parts.

ASSEMBLY DIAGRAM

Hex Key (111a) - not shown.



REV 10a, 10b

SKU 91938

For technical questions, please call 1-800-444-3353.

Page 15

LIMITED 90 DAY WARRANTY

Harbor Freight Tools Co. makes every effort to assure that its products meet high quality and durability standards, and warrants to the original purchaser that this product is free from defects in materials and workmanship for the period of 90 days from the date of purchase. This warranty does not apply to damage due directly or indirectly, to misuse, abuse, negligence or accidents, repairs or alterations outside our facilities, criminal activity, improper installation, normal wear and tear, or to lack of maintenance. We shall in no event be liable for death, injuries to persons or property, or for incidental, contingent, special or consequential damages arising from the use of our product. Some states do not allow the exclusion or limitation of incidental or consequential damages, so the above limitation of exclusion may not apply to you. THIS WARRANTY IS EXPRESSLY IN LIEU OF ALL OTHER WARRANTIES, EXPRESS OR IMPLIED, INCLUDING THE WARRANTIES OF MERCHANTABILITY AND FITNESS.

To take advantage of this warranty, the product or part must be returned to us with transportation charges prepaid. Proof of purchase date and an explanation of the complaint must accompany the merchandise. If our inspection verifies the defect, we will either repair or replace the product at our election or we may elect to refund the purchase price if we cannot readily and quickly provide you with a replacement. We will return repaired products at our expense, but if we determine there is no defect, or that the defect resulted from causes not within the scope of our warranty, then you must bear the cost of returning the product.

This warranty gives you specific legal rights and you may also have other rights which vary from state to state.

**3491 Mission Oaks Blvd. • PO Box 6009
Camarillo, CA 93011 • (800) 444-3353**

Free Manuals Download Website

<http://myh66.com>

<http://usermanuals.us>

<http://www.somanuals.com>

<http://www.4manuals.cc>

<http://www.manual-lib.com>

<http://www.404manual.com>

<http://www.luxmanual.com>

<http://aubethermostatmanual.com>

Golf course search by state

<http://golfingnear.com>

Email search by domain

<http://emailbydomain.com>

Auto manuals search

<http://auto.somanuals.com>

TV manuals search

<http://tv.somanuals.com>