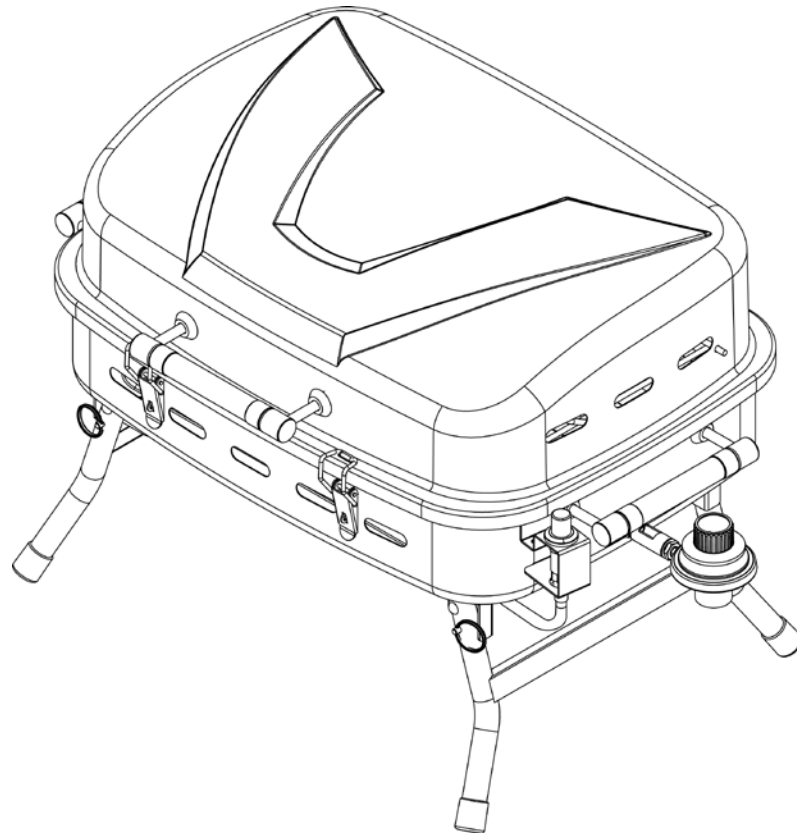




Outdoor LP Gas Barbecue Grill

Model No. NPG2301-C



WARNING
FOR YOUR SAFETY:
 For Outdoor Use Only
 (outside any enclosure)

WARNING
FOR YOUR SAFETY:

1. Improper installation, adjustment, alteration, service or maintenance can cause injury or property damage.
2. Read the installation, operation, and maintenance instructions thoroughly before installing or servicing this equipment.
3. Failure to follow these instructions could result in fire or explosion, which could cause property damage, personal injury, or death.

California Proposition 65:
 Chemicals known to the State of California to cause cancer, birth defects, or other reproductive harm are created by the combustion of propane.

Save these instructions for future reference. If you are assembling this unit for someone else, give this manual to him or her to read and save for future reference.

Table of Contents

Important Safeguards	2
Exploded View & Hardware	3
Assembly Instructions	4
Operating Instructions	6
Connecting Gas Tank	6
Check for Leaks	6
Lighting	6
Turning Off	6
Initial Use	6
Cooking	6
Tips	6
Cleaning and Care	6
Product Registration	7
Limited Warranty	7
Troubleshooting	8

The use and installation of this product must conform to local codes. In absence of local codes, use the *National Fuel Gas Code, ANSI Z223.1/NFPA 54, CAN/CGA-B149.1, Natural Gas and Propane Installation Code.*

Manufactured in China for:
 Blue Rhino Global Sourcing, LLC
 104 Cambridge Plaza Drive, Winston-Salem, NC 27104 USA
 1.800.762.1142, www.bluerhino.com

© 2005 Blue Rhino Global Sourcing, LLC. All Rights Reserved
 UniFlame® is a Registered Trademark of Blue Rhino Global Sourcing, LLC.. All Rights Reserved.




DANGER

If you smell gas -

1. Shut off gas to appliance.
2. Extinguish any open flame.
3. Open lid.
4. If odor continues, keep away from the appliance and immediately call your gas supplier or your fire department.


WARNING
FOR YOUR SAFETY

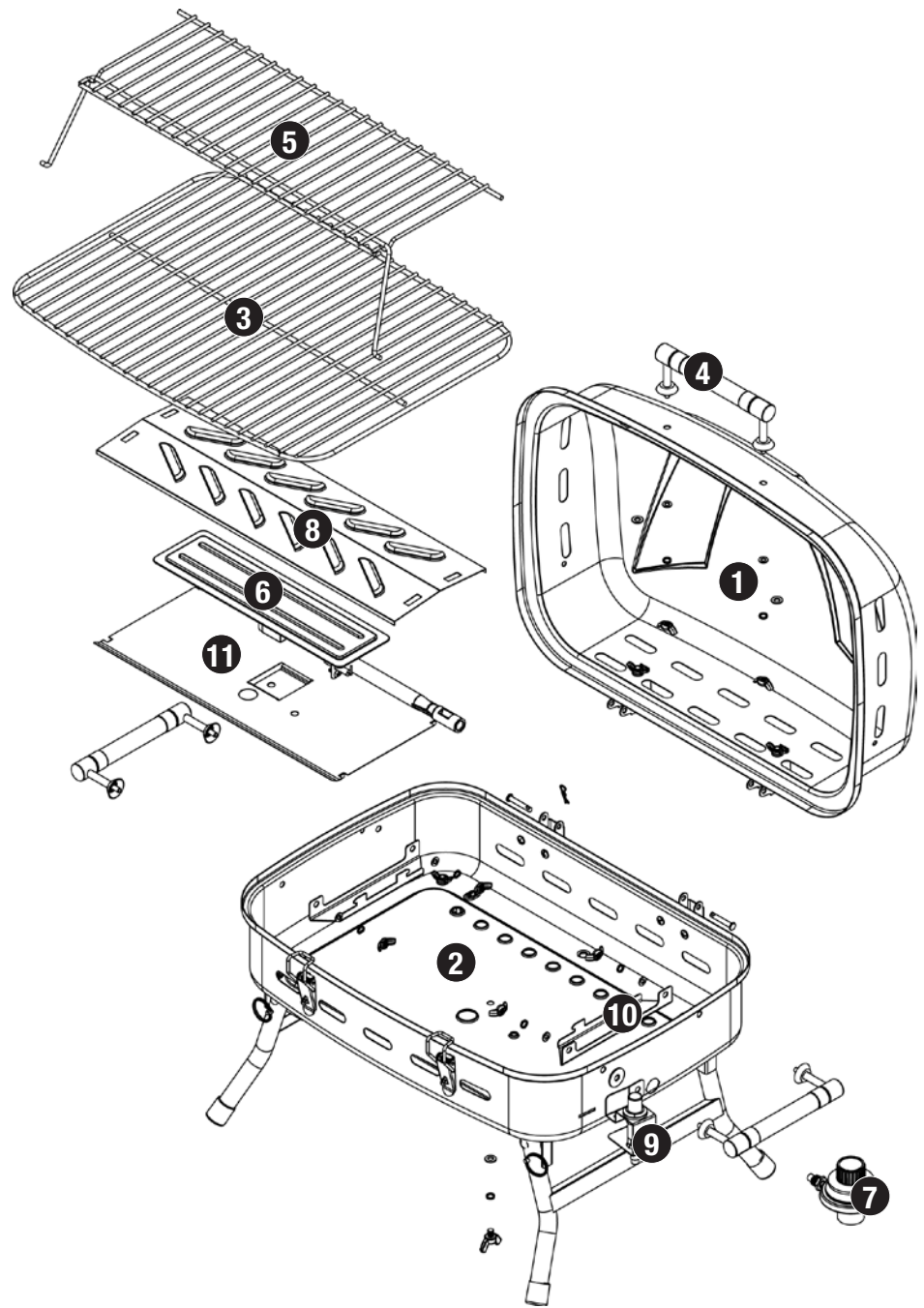
1. Do not store spare LP cylinder within 10 feet (3 m) of this appliance.
2. Do not store or use gasoline or other liquids with flammable vapors within 25 feet (8 m) of this or any other appliance.
3. An LP cylinder not connected for use shall not be stored in the vicinity of this or any other appliance.

Safety First
DANGERS and *Cautions*

1. This grill is for outdoor use only, and shall not be used in a building, garage, or any other enclosed area.
2. This grill is NOT for commercial use.
3. This is not a tabletop grill. Therefore, do not place this grill on any type of tabletop surface.
4. This grill is for use with liquid propane (LP) gas only. The conversion to or attempted use of natural gas in this LP gas grill is dangerous and will void your warranty.
5. LP gas Characteristics:
 - a. LP gas is flammable and hazardous if handled improperly. Become aware of the characteristics before using any LP gas product.
 - b. LP gas is explosive under pressure, heavier than air, and settles and pools in low areas.
 - c. LP gas in its natural state has no odor. For your safety, an odorant is added that smells like rotten cabbage.
 - d. Contact with LP gas can cause freeze burns to skin.
6. LP gas tank needed to operate. Only tanks marked "propane" may be used.
7. The LP gas supply tank must be constructed and marked in accordance with the *Specifications for LP gas Cylinders* of the U.S. Department of Transportation (DOT) or the National Standard of Canada, *CAN/CSA-B339, Cylinders, Spheres and Tubes for the Transportation of Dangerous Goods; and Commission*.
8. LP gas tank must be arranged for vapor withdrawal.
9. Dented or rusted LP gas tanks may be hazardous and should be checked by your LP gas supplier prior to use.
10. The LP gas tank should not be dropped or handled roughly.
11. Tanks must be stored outdoors out of the reach of children and must not be stored in a building, garage, or any other enclosed area. Your tank must never be stored where temperatures can reach over 125°F.
12. Never attempt to attach this grill to the self-contained LP gas system of a camper trailer, motor home, or house.
13. The use of alcohol, or prescription or non-prescription drugs may impair the consumer's ability to properly assemble or safely operate the appliance.
14. Never use charcoal, lighter fluid, lava rocks, gasoline, kerosene, or alcohol with this product.
15. Your grill has been checked at all factory connections for leaks. Recheck all connections, as movement in shipping can loosen connections.
16. Check for leaks even if your unit was assembled for you by someone else.
17. Do not operate if gas leak is present. Gas leaks may cause a fire or explosion.
18. You must follow all leak-checking procedures before operating. To prevent fire or explosion hazard when testing for a leak:
 - a. Always perform leak test before lighting the grill and each time the tank is connected for use.
 - b. No smoking. Do not use or permit sources of ignition in the area while conducting a leak test.
 - c. Conduct the leak test outdoors in a well-ventilated area.
 - d. Do not use matches, lighters, or a flame to check for leaks.
 - e. Do not use grill until any and all leaks are corrected.
If you are unable to stop a leak, disconnect the LP gas supply. Call a gas appliance serviceman or your local LP gas supplier.
19. Do not use in an explosive atmosphere. Keep grill area clear and free from combustible materials, gasoline and other flammable vapors and liquids.
20. Keep all combustible items and surfaces at least 21 inches (53 cm) away from the grill at all times. DO NOT use this grill or any gas product under any overhead or near any unprotected combustible constructions.
21. It is essential to keep the grill's valve compartment, burners, and circulating air passages clean. Inspect grill before each use.
22. Do not alter grill in any manner.
23. Do not use the grill unless it is COMPLETELY assembled and all parts are securely fastened and tightened.
24. This grill should be thoroughly cleaned and inspected on a regular basis.
25. Use only the regulator provided. The replacement regulator shall be that specified by the manufacturer.
26. Use only Blue Rhino Global Sourcing, LLC. factory authorized parts. The use of any part that is not factory authorized can be dangerous. This will also void your warranty. Contact 1.800.762.1142.
27. Do not use this appliance without reading "Operating Instructions" in this manual.
28. Do not touch metal parts of grill until it has completely cooled (about 45 min.) to avoid burns, unless you are wearing protective gear (pot holders, gloves, BBQ mittens, etc.).
29. Do not install or use in or on boats or recreational vehicles.
30. When cooking, fire extinguishing materials shall be readily accessible. In the event of an oil grease fire, do not attempt to extinguish with water. Use type BC dry chemical fire extinguisher or smother with dirt, sand or baking soda.
31. Do not use grill in high winds.
32. Never lean over the grill when lighting.
33. Do not leave a lit grill unattended, especially keep children and pets away from grill at all times.
34. Do not attempt to move grill when in use. Allow the grill to cool before moving or storing.
35. Storage of grill indoors is permissible only if the tank is disconnected, removed from the grill and properly stored outdoors.
36. Always open grill lid carefully and slowly as heat and steam trapped within grill can severely burn you.
37. Do not attempt to disconnect the gas regulator from the tank or any gas fitting while the grill is in use.
38. Disconnect cylinder when not in use.
39. Always use your grill on a hard, non-combustible level surface. An asphalt or blacktop surface may not be acceptable for this purpose.
40. Do not use on wooden decks.
41. Keep all electrical cords away from a hot grill.
42. Do not use grill for indoor cooking or heating. TOXIC fumes can accumulate and cause asphyxiation.
43. After a period of storage and/or nonuse, check for leaks, burner obstructions and inspect for any abrasion, wear, cuts to the hose.
44. Failure to open lid while igniting the grill's burner, or not waiting 5 minutes to allow the gas to clear if the grill does not light, may result in an explosive flame-up.
45. If grill is not in use, the gas must be turned off at the supply tank.
46. Never operate grill without heat plate installed.
47. Always use a meat thermometer to ensure food is cooked to a safe temperature.
48. Do not store a spare LP gas tank under or near this appliance.
49. To avoid electrical shock, inspect before each use to make sure the igniter and wire are fully connected.
50. Deaths, serious injury or damage to property may occur if the above is not followed exactly.

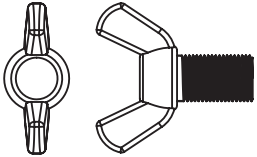
Exploded View

- 1. Lid55-14-980
- 2. Bottom Bowl.....55-14-981
- 3. Cooking Grid.....55-14-928
- 4. Handle (3).....55-14-983
- 5. Warming Rack55-14-984
- 6. Burner55-14-985
- 7. Regulator55-14-986
- 8. Heat Plate.....55-14-987
- 9. Ignitor.....55-14-988
- 10. Heat Plate Support (2).....55-14-989
- 11. Heat Shield55-14-999

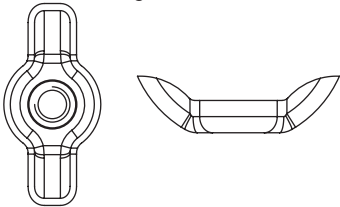


Hardware / Actual Size

- A. Wing Bolt 1 pc
M6x10 Zinc Plated Wing Bolt



- B. Wing Nut 6 pcs
M5 Steel Wing Nut



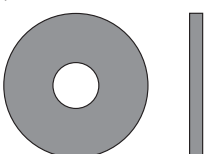
- C. Small Washer 6 pcs
ø5.5 Zinc Plated Washer



- D. Large Washer 1 pc
ø6.5 Zinc Plated Washer



- E. Heat Resistant Washer 1 pc
ø6 Heat Resistant Washer



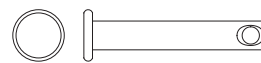
- F. Small Lock Washer 6 pcs
ø5.5 Zinc Plated Lock Washer



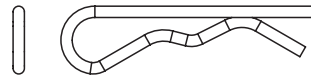
- G. Large Lock Washer 1 pc
ø6.5 Zinc Plated Lock Washer



- H. Pins* 2 pcs



- I. Cotter Pins* 2 pcs



* Not shown at actual size.

Assembly Instructions

DO NOT RETURN PRODUCT TO STORE.

For assistance call 1.800.762.1142 toll free. Please have your owner's manual and serial number available for reference.

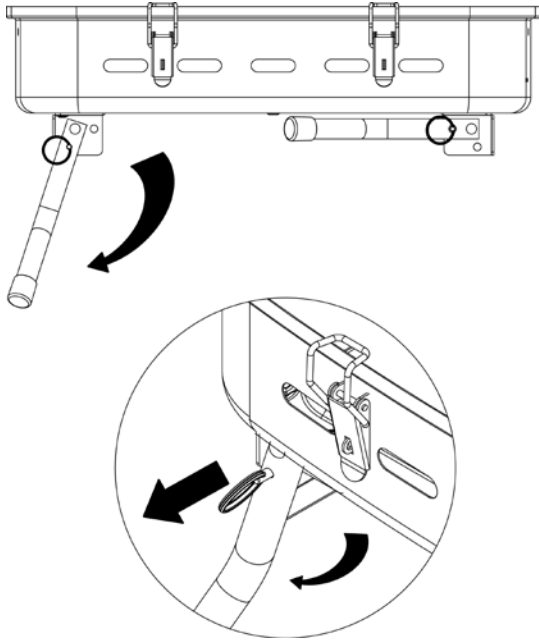
For Easiest Assembly:

- To avoid losing any small components or hardware, assemble your product on a hard level surface that does not have cracks or openings.
- Clear an area large enough to layout all components and hardware.
- When applicable, tighten all hardware connections by hand first. Once the step is completed, go back and fully tighten all hardware.
- Follow all steps in order to properly assemble your product.

Step 1 Unfold legs

1

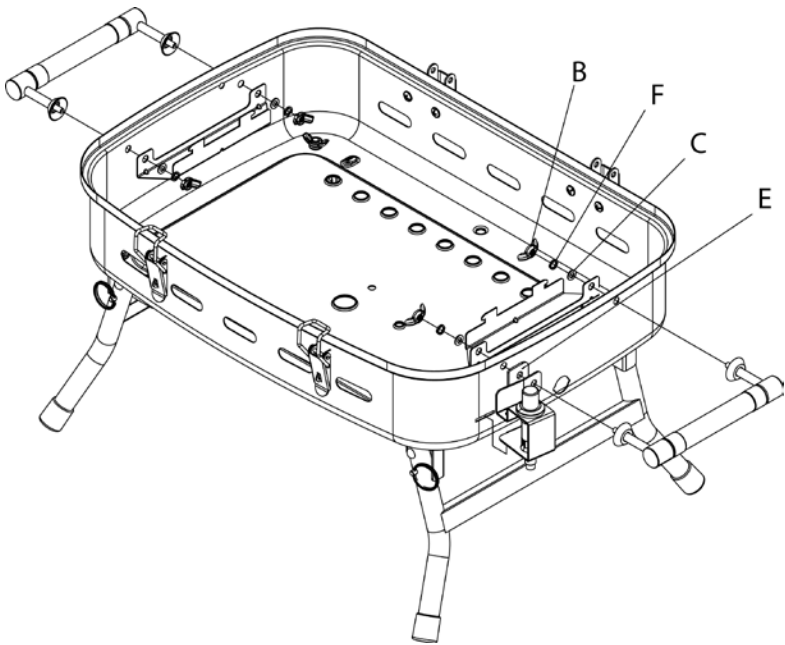
Unfold legs by pulling ring out and swinging leg out until it locks in place.



Step 2 Attach side handles

2

- Attach handle, ignitor and heat plate support to right side of bowl using 2 sets of small washers (C), small lock washers (F), wing nuts (B) and 1 heat resistant washers (E).
- Attach handle to left side of bowl using 2 sets of small washers (C), small lock washers (F) and wing nuts (B).

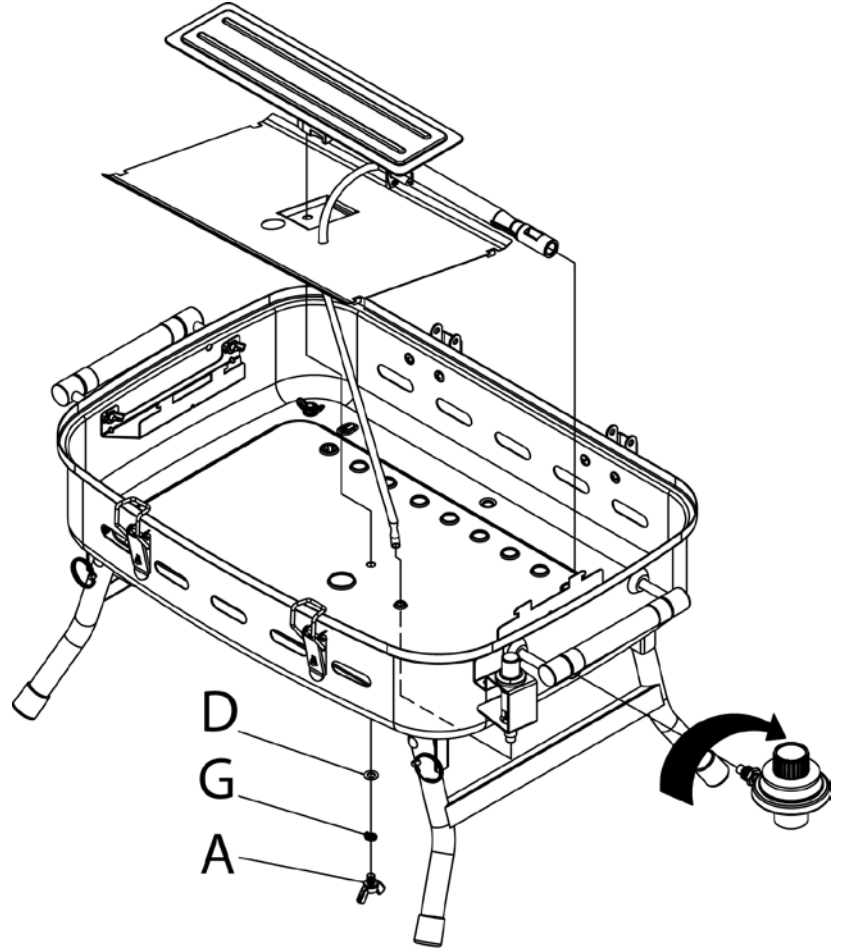


Step 3 Attach heat shield, burner, regulator and ignitor wire

3

- Feed ignitor wire through opening in bowl.
- Attach heat shield and burner to bowl with large washer (D), large lock washer (G) and wing bolt (A).
- Screw regulator clockwise onto burner stem.
- Pull ignitor wire into ignitor.

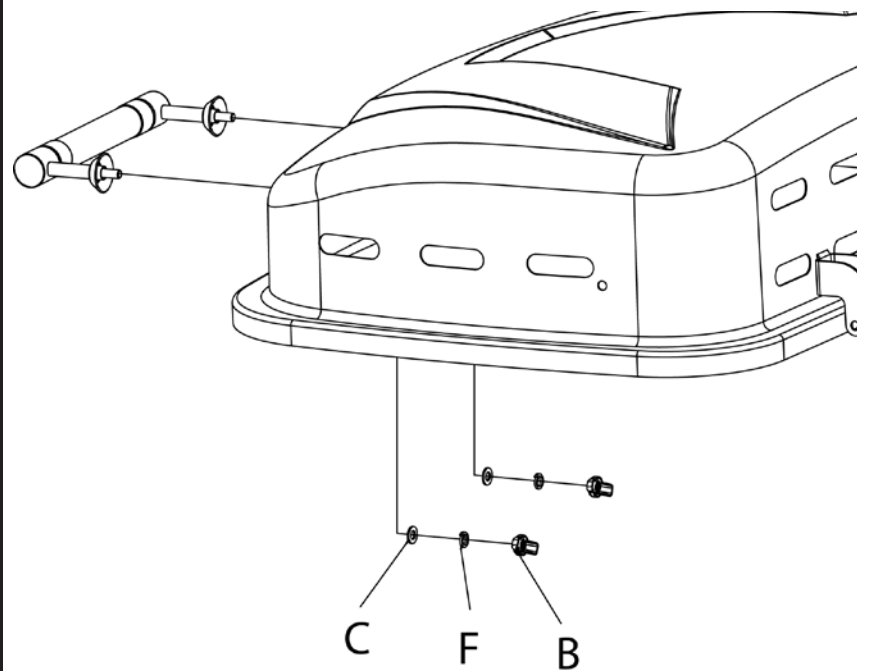
WARNING: To avoid electrical shock, inspect before each use to make sure the igniter and wire are fully connected.



Step 4 Attach lid handle

4

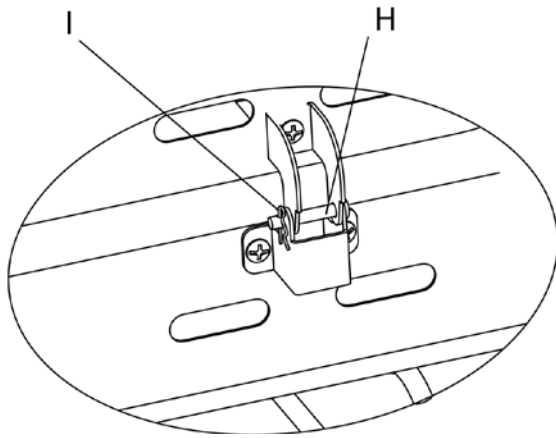
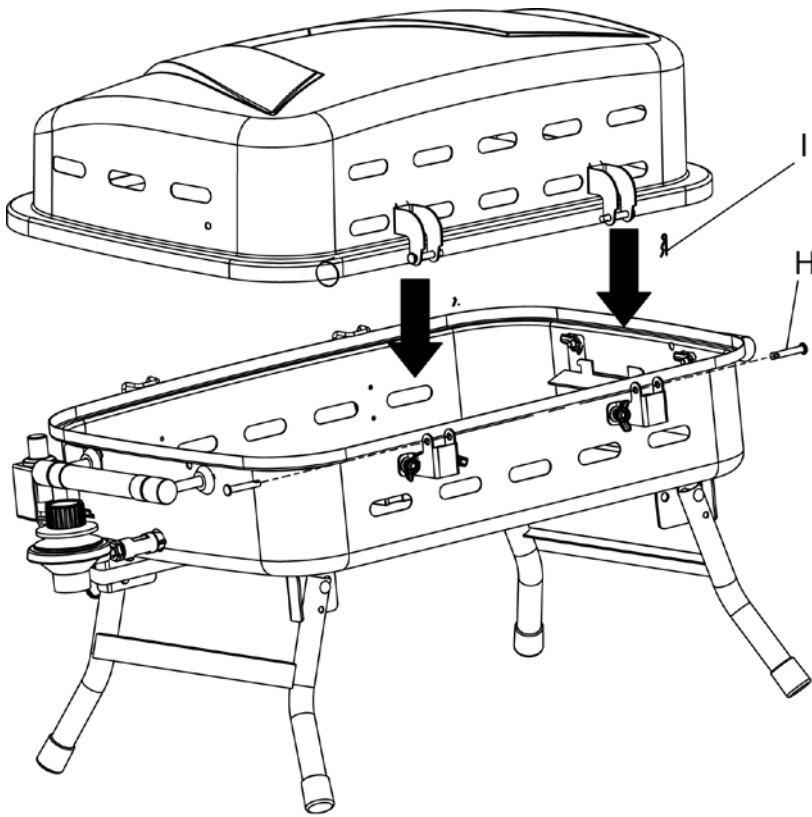
Attach handle to lid using 2 sets of small washers (C), small lock washers (F) and wing nuts (B).



Step 5 Attach lid to bottom bowl

5

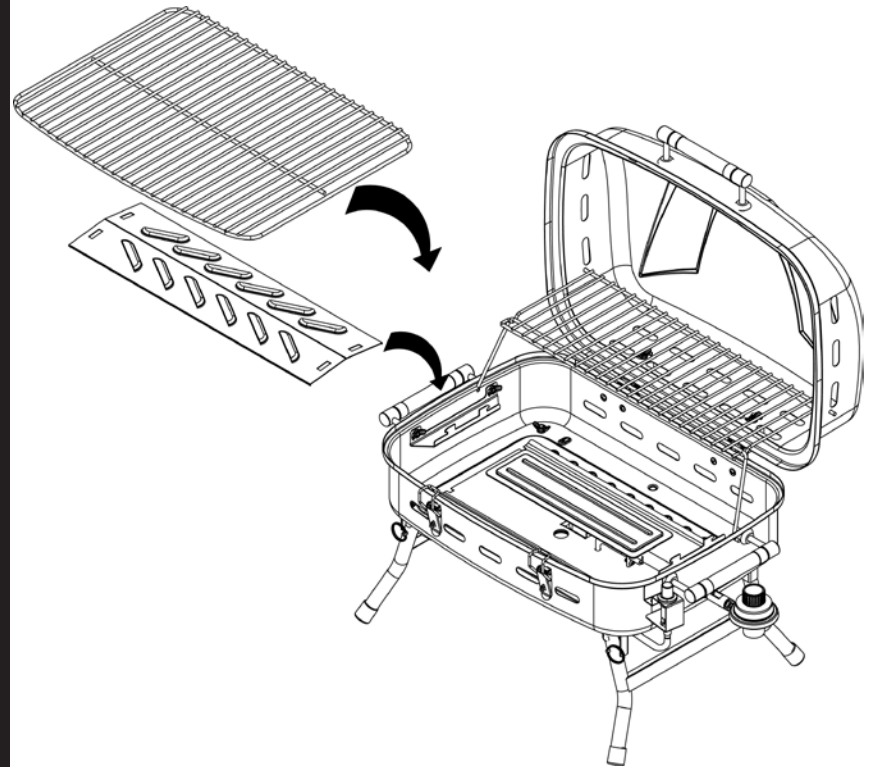
- A. Insert top hinges into bottom hinges.
- B. Secure with pins (H) and cotter pins (I).



Step 7 Insert heat plate and cooking grid

7

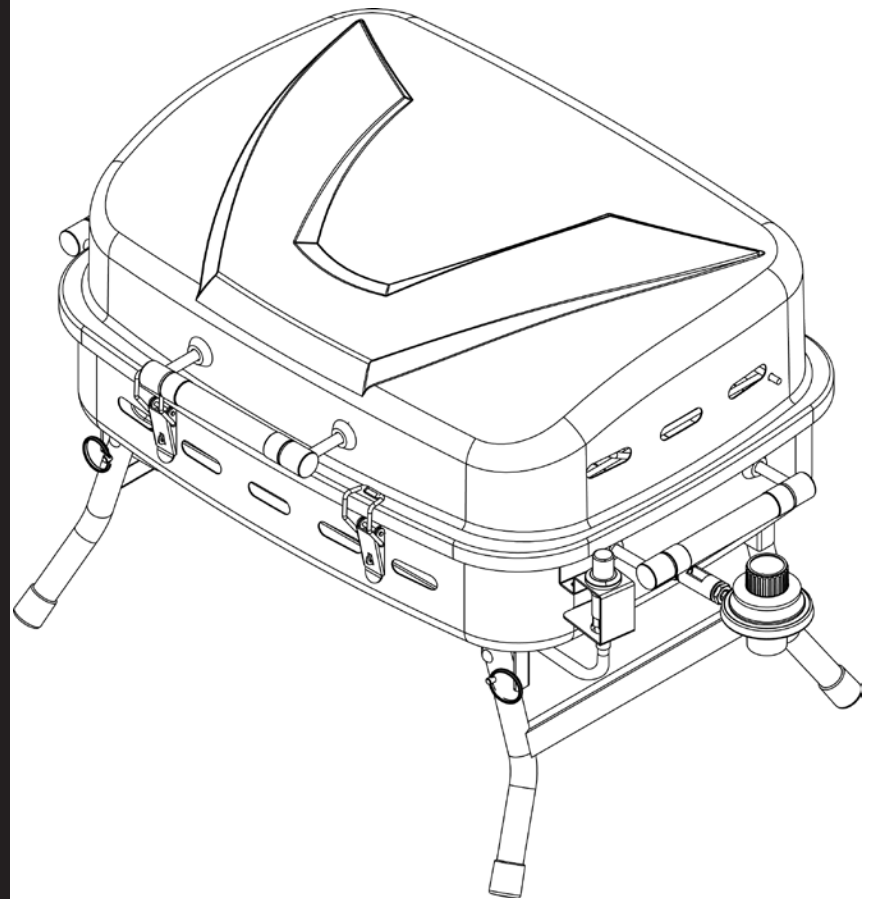
- A. Insert heat plate onto brackets so brackets go through holes.
- B. Insert cooking.



Step 8 Completed

8

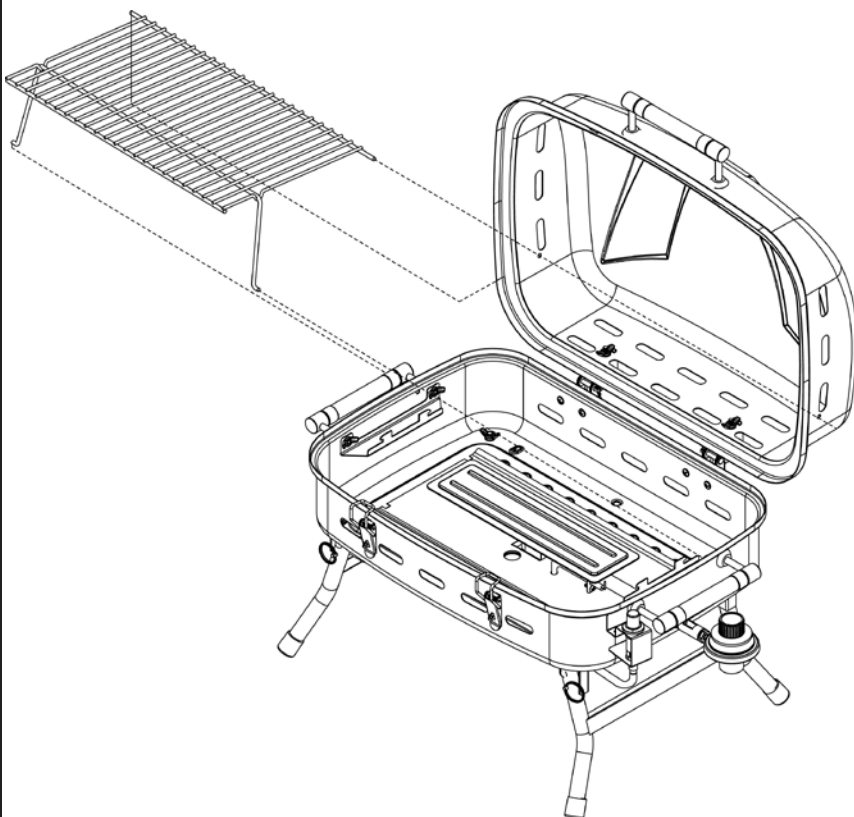
Congratulations your assembly is now complete. Read Operating Instructions before proceeding.



Step 6 Insert warming rack

6

- A. Slide warming rack into holes in lid and bottom bowl.
- Note: Look for corresponding holes on side of lid. Insert short wire ends into lid holes, one side at a time. Position warming rack legs into slots on grill body sides.
- B. Cut zip tie on warming rack.



Operating Instructions

This grill is designed to operate with a (DOT 39 Cylinder) one pound 7-3/8" high disposable / 16.4 oz. propane gas tank. **DO NOT ATTEMPT TO REFILL ANY ONE POUND (16.4 oz.) PROPANE GAS TANKS!**

Connecting Gas Tank

Lubricate the threads of the regulator valve with petroleum jelly, insert the gas tank into the regulator valve and hand-tighten firmly. Test for leaks

Checking for Leaks

Burner Connection

Make sure the control valve is securely fastened to the burner.

If your unit was assembled for you, visually check the connection between the burner pipe and control valve. Make sure the burner pipe fits over the control valve.

WARNING: Failure to inspect this connection or follow these instructions could cause a fire or an explosion which can cause death, serious bodily injury, or damage to property.

If the burner pipe does not rest flush to the control valve, please contact 1.800.762.1142 for assistance.

Regulator / 1# LP Gas Tank Connection

Make 2-3 oz. of leak solution by mixing one part liquid dishwashing soap with three parts water.

Make sure control knob is off.

Spoon several drops of solution, or use squirt bottle, at the LP gas tank to regulator connection.

Inspect the solution at the connection, looking for bubbles. If NO bubbles appear, the connections are secure. If bubbles appear, you have a leak.

Loosen and retighten this connection, making sure the connection is secure.

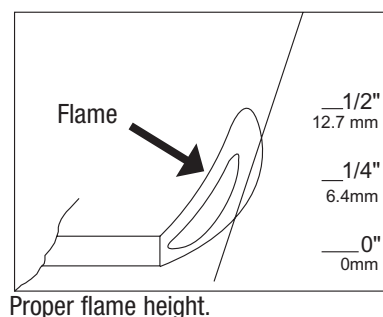
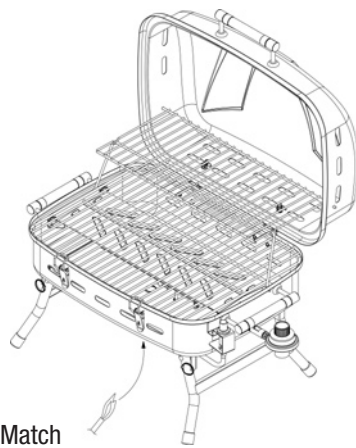
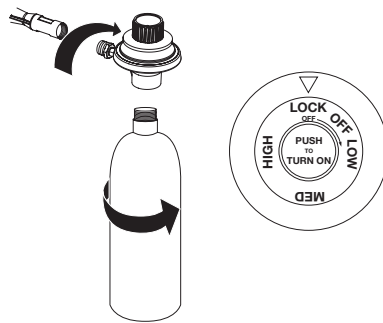
Retest with solution. If you continue to see bubbles after several attempts, disconnect propane source and contact 1.800.762.1142 for assistance.

Lighting

WARNING: To avoid electrical shock, inspect before each use to make sure the igniter and wire are fully connected.

1. Open lid. **Attempting to light the burner with the lid closed may cause an explosion!**
2. Make sure there are no obstructions of airflow to the gas unit. Spiders and insects can nest within and clog the burner / venturi tube at the orifice. **A clogged burner tube can lead to a fire beneath the appliance.**
3. Control knob must be in the "Lock Off" position.
4. Turn the control knob to "HIGH"
5. Press the ignitor button repeatedly to light burner.
6. If ignition does not occur in 5 seconds, turn burner control knob OFF, wait 5 minutes and repeat lighting procedure.
7. If ignitor does not light burner, use a match to light burner manually. Access the burner through the hole in bottom bowl as indicated.
8. After lighting, observe the burner flame. Make sure all burner ports are lit and flame height matches illustration.

CAUTION: If burner flame goes out during operation, immediately turn the gas "OFF" and open lid to let the gas clear for about 5 minutes before re-lighting.



Turning Off

Turn control knob to the "Lock Off" position.

Initial Use

Before cooking on this grill for the first time, operate the grill for about 15 minutes with the lid closed and the gas turned on "HIGH." This will "heat clean" the internal parts and dissipate odor from the manufacturing processes.

Cooking

1. Light burner per lighting instructions.
2. Set burner to desired temperature
3. Place food on grid.
4. With lid open or closed, cook until desired internal temperatures are achieved.

Tips For Better Cook Outs and Longer Product Life

1. Spray or coat cooking surfaces with vegetable oil before cooking to avoid sticking.
2. Place vegetables or delicate foods into aluminum foil pouches.
3. Use a quality grill brush after each event to keep cooking surfaces clean and rust free.
4. A one pound tank will provide approximately 2 hours of cooking time with control on "HIGH".

Cleaning and Care

Caution

1. All cleaning and maintenance should be done when grill is cool and with the fuel supply disconnected.
2. DO NOT clean any grill part in a self cleaning oven. The extreme heat will damage the finish.

Notices

1. Abrasive cleaners will damage this product.
2. Never use oven cleaner to clean any part of grill.
3. Do not clean any grill part in a self cleaning oven. The extreme heat will damage the finish.

Cleaning Surfaces

1. Wipe surfaces clean with mild dishwashing detergent or baking soda.
2. For stubborn surfaces use a citrus based degreaser and a nylon scrubbing brush.
3. Rinse clean with water.

Cleaning Burner

1. Turn gas off at the control knob and LP gas tank.
2. Remove cooking grates and heat plate.
3. Remove burner by removing the fasteners securing the burner to the grill bottom.
4. Lift burner up and away from gas valve orifice.
5. Disconnect wire from spark electrode.
6. Clean inlet (venturi) of burner with small bottle brush or compressed air.
7. Remove all food residue and dirt on burner surface.
8. Clean any clogged ports with a stiff wire (such as an opened paper clip)
9. Inspect burner for any damage (cracks or holes). If damage is found, replace with new burner.
10. Reinstall burner, check to insure that gas valve orifices are correctly positioned inside burner inlet (venturi). Also check position of spark electrode.

Product Registration

Please register your product immediately at www.BlueRhino.com or call 1.800.762.1142.

Limited Warranty

Blue Rhino Global Sourcing, LLC ("Vendor") warrants to the original retail purchaser of this grill, and to no other person, that if this grill is assembled and operated in accordance with the printed instructions accompanying it, then for a period of one (1) year from the date of purchase, all parts in such grill shall be free from defects in material and workmanship. Vendor may require reasonable proof of your date of purchase from an authorized retailer or distributor. Therefore, you should retain your sales slip or invoice. This Limited Warranty shall be limited to the repair or replacement of parts, which prove defective under normal use and service and which Vendor shall determine in its reasonable discretion upon examination to be defective. Before returning any parts, you should contact Vendor's Customer Service Department using the contact information listed below. If Vendor confirms, after examination, a defect covered by this Limited Warranty in any returned part, and if Vendor approves the claim, Vendor will replace such defective part without charge. If you return defective parts, transportation charges must be prepaid by you. Vendor will return replacement parts to the original retail purchaser, freight or postage prepaid.

This Limited Warranty does not cover any failures or operating difficulties due to accident, abuse, misuse, alteration, misapplication, improper installation or improper maintenance or service by you or any third party, or failure to perform normal and routine maintenance on the grill, as set out in this owner's manual. In addition, the Limited Warranty does not cover damage to the finish, such as scratches, dents, discoloration, rust or other weather damage, after purchase.

This Limited Warranty is in lieu of all other express warranties. Vendor disclaims all warranties for products that are purchased from sellers other than authorized retailers or distributors. AFTER THE PERIOD OF THE ONE (1)-YEAR EXPRESS WARRANTY, VENDOR DISCLAIMS ANY AND ALL IMPLIED WARRANTIES, INCLUDING WITHOUT LIMITATION THE IMPLIED WARRANTIES OF MERCHANTABILITY AND FITNESS FOR A PARTICULAR PURPOSE. FURTHER, VENDOR SHALL HAVE NO LIABILITY WHATSOEVER TO PURCHASER OR ANY THIRD PARTY FOR ANY SPECIAL, INDIRECT, PUNITIVE, INCIDENTAL, OR CONSEQUENTIAL DAMAGES. Vendor assumes no responsibility for any defects caused by third parties. This Limited Warranty gives the purchaser specific legal rights; a purchaser may have other rights depending upon where he or she lives. Some jurisdictions do not allow the exclusion or limitation of special, incidental or consequential damages, or limitations on how long a warranty lasts, so the above exclusion and limitations may not apply to you.

Vendor does not authorize any person or company to assume for it any other obligation or liability in connection with the sale, installation, use, removal, return, or replacement of its equipment, and no such representations are binding on Vendor.

Blue Rhino Global Sourcing, LLC
104 Cambridge Plaza Drive
Winston-Salem, North Carolina 27104 USA
(800) 762-1142
24 Hour Fax: (336) 659-6743
CustomerService@BlueRhino.com



Troubleshooting

Problem	Possible Cause	Prevention/Cure
Burner will not light with match	No gas flow.	Check if LP cylinder is empty.
	Obstruction of gas flow.	Clear burner tubes.
	Spider webs or insect nest in venturi.	Clean venturi.
	Burner ports clogged or blocked.	Clean burner ports.
Irregular flame pattern, flame does not run the full length of burner.	Burner ports are clogged or blocked.	Clean burner ports.
Flame is yellow or orange	New burner may have residual manufacturing oils.	Burn grill for 15 minutes with the lid closed.
	Spider webs or insect nest in venturi.	Clean venturi.
	Food residue, grease or seasoning salt on burner.	Clean burner.
Flame blow out	High or gusting winds.	Turn front of grill to face wind or increase flame height.
	Low on LP Gas.	Replace LP cylinder.
Flare-up	Grease buildup.	Clean grill.
	Excess fat in meat.	Trim fat from meat before grilling.
	Excessive cooking temperature.	Adjust (lower) temperature accordingly.
Persistent grease fire.	Grease trapped by food buildup around burner system.	Turn knobs to "LOCK OFF POSITION." Let fire burn out. Leave lid in closed position and let fire burn out. After grill cools, remove and clean all parts.
Flashback (fire in burner tube(s))	Burner and/or burner tube is blocked.	Clean burner and/or burner tube.
Inside of lid is peeling-like paint peeling	The lid is porcelain coated, not paint.	Baked on grease buildup has turned to carbon and is flaking off. Clean thoroughly.



Barbecue au propane pour usage extérieur

Modèle n° NPG2301-C

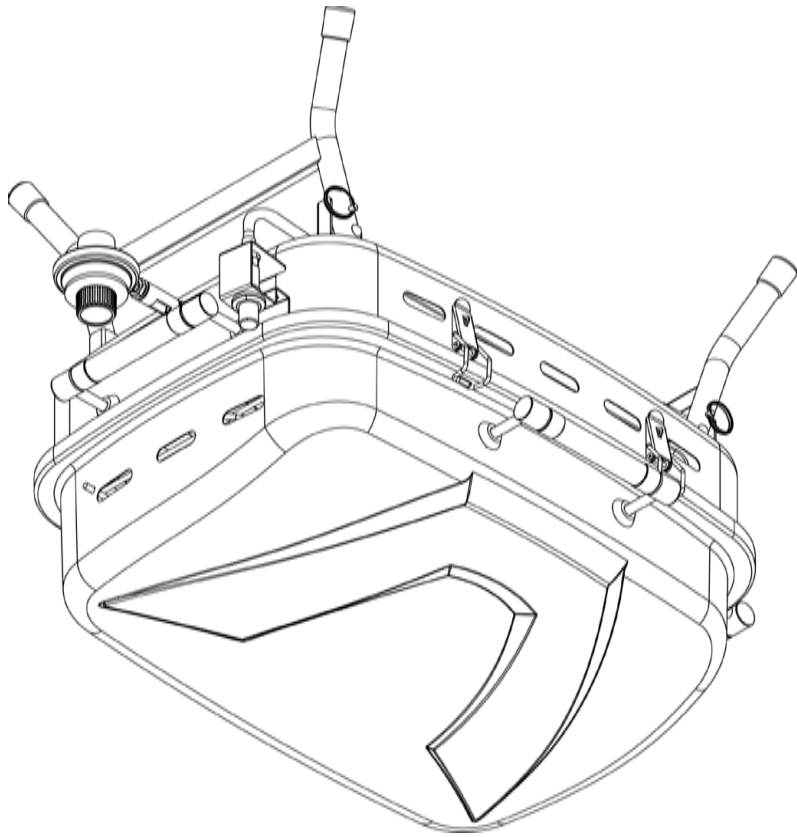


Table des matières

- 2. Consignes de sécurité importantes
- 3. Vue éclatée des pièces et quincaillerie
- 4. Directives d'assemblage
- 6. Utilisation
- 6. Brancher la bonbonne de gaz
- 6. Rechercher une fuite potentielle
- 6. Allumer le barbecue
- 6. Eteindre le barbecue
- 6. Utiliser le barbecue pour la première fois
- 6. Cuisson
- 6. Conseils
- 6. Nettoyage et entretien
- 7. Enregistrement de l'appareil
- 7. Guide de dépannage
- 8. Garantie limitée

L'utilisation et l'installation de cet appareil doivent être conformes aux codes locaux. En l'absence de codes locaux, suivez le Code national du gaz et des combustibles, la réglementation ANSI Z223.1/NFPA 54, CAN/CGA-B149.1 et le Code d'installation du gaz naturel et du propane

Fabriquée en Chine pour:
Blue Rhino Global Sourcing, LLC
104 Cambridge Plaza Drive, Winston-Salem, NC 27104 États-Unis
1.800.762.1142, www.bluerhino.com

© 2005 Blue Rhino Global Sourcing, LLC. Tous droits réservés.
UniFlame® est une marque déposée de Blue Rhino Global Sourcing, LLC. Tous droits réservés.



Conservez ces instructions afin de pouvoir les consulter ultérieurement. Si vous êtes en train d'assembler cet appareil pour une autre personne, veuillez lui fournir le manuel afin qu'elle puisse le lire et le consulter plus tard.

Proposition 65 de Californie
L'Etat de la Californie reconnaît que la combustion du propane produit des émanations et des résidus chimiques qui provoquent le cancer, des malformations congénitales et sont nocifs pour le système reproductif.

MISE EN GARDE
POUR VOTRE SÉCURITÉ:
1. Toute installation défectueuse ou modification incorrecte ainsi que tout mauvais réglage ou entretien incorrect risquent d'entraîner des blessures ou des dégâts matériels.
2. Lire complètement les instructions d'installation, d'utilisation et d'entretien avant de procéder à la maintenance de l'appareil ou à son entretien.
3. Le non-respect de ces consignes risque de provoquer un incendie ou une explosion et entraîner des dégâts matériels, des blessures graves voire la mort.

MISE EN GARDE
POUR VOTRE SÉCURITÉ:
Pour usage à l'extérieur seulement (hors de tout abri clos)

SI VOUS SENTEZ UNE ODEUR DE GAZ :

1. Fermez le robinet de gaz alimentant l'appareil.
2. Éteignez toute flamme.
3. Ouvrez le couvercle.
4. Si l'odeur persiste, demeurez à l'écart de l'appareil et contactez immédiatement votre fournisseur de bonnes de gaz ou les pompiers.

MISE EN GARDE

POUR VOTRE SÉCURITÉ :

1. Ne pas remettre une bonne de propane de recharge à moins de 10 pieds (3 mètres) de cet appareil.
2. Ne pas utiliser ni entreposer d'essence ou de liquides et autres vapeurs inflammables à moins de 25 pieds (8 m) de cet appareil ou de tout autre appareil.
3. Ne pas remettre une bonne de propane à proximité de cet appareil ou de tout autre appareil si elle n'est pas branchée.

DANGERS et Précautions

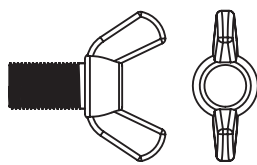
La sécurité avant tout

1. Ce barbecue doit être utilisé uniquement à l'extérieur, et ne doit pas être utilisé dans un immeuble, un garage ou tout autre abri clos.
2. Ce barbecue N'est PAS destiné à un usage commercial.
3. Il ne s'agit en aucun cas d'un barbecue de table! Par conséquent, ne jamais placer ce barbecue sur une table quelconque.
4. Ce barbecue doit être utilisé uniquement avec du propane liquide (PL). Toute utilisation de gaz naturel avec ce barbecue ou tentative de conversion au gaz naturel de ce barbecue est dangereuse et annulera la garantie.
5. Caractéristiques du propane (PL) :
 - a. Le propane est un gaz inflammable et dangereux si ce dernier n'est pas manipulé correctement. Il est important de connaître les dangers avant d'utiliser tout appareil fonctionnant au propane.
 - b. Le propane est un gaz inflammable qui risque d'exploser sous pression. C'est un gaz plus lourd que l'air présent en gisements dans les régions basses.
 - c. Le propane à l'état naturel est inodore. Pour votre sécurité, un odorisant ayant l'odeur de choux avariés a été ajouté.
 - d. Tout contact du propane avec la peau risque d'entraîner des brûlures.
6. Il est nécessaire de brancher une bonne de propane pour faire fonctionner le barbecue. Seules les bonnes marquées « propane » peuvent être utilisées.
7. La bonne de propane doit être fabriquée, marquée et mise en service conformément à la Réglementation sur les bouteilles de gaz de pétrole liquéfié établie par le Ministère des transports des États-Unis (DOT) ou répondre à la Norme nationale du Canada, CAN/CSA-B339 sur les bouteilles, bonnes, sphères et tubes destinés au transport de produits dangereux et la commission.
8. La bonne de propane doit être placée et homologuée afin de permettre l'extraction des vapeurs de gaz.
9. Toute bonne bosselée ou présentant des traces de rouille risque d'être dangereuse et devrait être vérifiée par votre fournisseur avant de l'utiliser.
10. Ne pas laisser tomber la bonne ni la manipuler brusquement ou brutalement.
11. Les bonnes de gaz doivent être stockées à l'extérieur hors de portée des enfants et ne doivent pas être entreposées dans un bâtiment, un garage ou dans tout autre lieu fermé. Les bonnes de gaz ne doivent jamais être stockées dans un endroit où la température risque de dépasser 51,6°C (125°F).
12. Ne jamais essayer de raccorder ce barbecue au circuit de propane d'une maison mobile, d'une autocaravane ou de votre maison.
13. La prise d'alcool, de médicaments ou de drogues risque de nuire à l'aptitude de l'utilisateur à assembler ou à utiliser cet appareil en toute sécurité.
14. Ne jamais utiliser de charbon de bois, de liquide allume-barbecue, de pierres de lave, d'essence, de kérosène ou d'alcool avec ce barbecue.
15. Votre barbecue a été vérifié en usine afin de s'assurer que les raccords ne présentent aucune fuite. Vérifier à nouveau tous les raccords car il est possible qu'ils se soient desserrés lors du transport.
16. Vérifier que l'appareil ne présente aucune fuite même si ce dernier a été assemblé pour vous par quelqu'un d'autre.
17. Ne pas utiliser le barbecue en cas de fuite de gaz. Toute fuite de gaz risque de provoquer un incendie ou une explosion.
18. Il est obligatoire de suivre toutes les procédures de détection de fuite avant d'utiliser cet appareil. Afin d'éviter tout risque d'incendie et d'explosion lorsque vous recherchez une fuite :
 - a. Vérifier que le circuit ne présente pas de fuite en effectuant un "test d'étanchéité" avant d'allumer le barbecue à chaque fois que la bonne de gaz est branchée afin de l'utiliser.
 - b. Interdiction de fumer. Ne pas utiliser ni laisser de sources d'ignition à proximité du barbecue lorsque vous recherchez une fuite.
 - c. Effectuer le test d'étanchéité en plein air, dans un emplacement bien aéré.
 - d. Ne pas utiliser d'allumettes, de briquets ou de flamme nue afin de rechercher une fuite.
 - e. Ne pas utiliser le barbecue avant d'avoir réparé toute les fuites. Si vous ne parvenez pas à arrêter une fuite, débarrachez la bonne de propane. Contactez un réparateur ou votre fournisseur de bouteilles de propane.
19. Ne pas utiliser le barbecue en présence de vapeurs et émanations explosives. Veiller à ce que la zone autour du barbecue demeure dégagée et dépourvue de matières combustibles, d'essence et d'autres liquides et vapeurs inflammables.
20. S'assurer que toute surface et matière combustible se trouve toujours au minimum à 53 cm (21 po.) du barbecue. NE PAS utiliser ce barbecue sous un abri, une structure suspendue ou en saillie ou à proximité de toute construction combustible non-protégée.

21. Il est primordial que le compartiment de la valve de contrôle de l'appareil, les brûleurs et les passages par où l'air circule demeurent propres. Vérifier le barbecue avant chaque utilisation.
22. Ne modifier en aucune façon le barbecue.
23. Ne pas utiliser le barbecue à moins qu'il ne soit COMPLÈTEMENT assemblé et que les pièces ne soient toutes fixées et serrées.
24. Ce barbecue doit être vérifié et nettoyé en entier régulièrement.
25. Utiliser uniquement le régulateur fourni. Le régulateur de recharge doit être celui spécifié par le fabricant.
26. Utiliser uniquement des pièces agréées de l'usine Blue Rhino Global Sourcing, LLC. L'emploi de toute pièce non agréée peut être dangereuse et entraînera l'annulation de la garantie. Appeler le 1.800.762.1142.
27. Ne pas utiliser cet appareil avant de lire les instructions d'utilisation de ce manuel.
28. Ne pas toucher les pièces métalliques du barbecue avant qu'il n'ait complètement refroidi (attendre environ 45 minutes) afin de ne pas se brûler à moins de porter des vêtements de protection (gants, maniques, attirail de barbecue, etc.).
29. Ne pas installer ni utiliser cet appareil à bord d'un bateau ou d'un véhicule récréatif.
30. Lors de la cuisson, conserver toujours à portée de main des articles ou matières capables d'éteindre le feu. En cas de feu de graisse, ne pas tenter d'éteindre le feu avec de l'eau. Utiliser un extincteur à poudre BC ou étouffer le feu avec de la terre, du sable ou du bicarbonate de soude.
31. Ne pas utiliser le barbecue par grand vent.
32. Ne jamais se pencher au-dessus du barbecue pour l'allumer.
33. Ne pas laisser un barbecue allumé sans surveillance surtout si des enfants ou des animaux domestiques et de compagnie sont à proximité.
34. Ne pas essayer de déplacer le barbecue quand il est allumé. Laisser le barbecue refroidir avant de le déplacer ou de le remettre.
35. Le remisage du barbecue à l'intérieur est autorisé seulement si la bonne a été débranchée et retirée de l'appareil et correctement entreposé à l'extérieur.
36. Veiller à toujours ouvrir le couvercle du barbecue lentement et avec précaution car la chaleur et la vapeur piégées à l'intérieur risquent de gravement vous brûler.
37. Ne pas tenter de débarrasser le régulateur de gaz de la bonne ou de débarrasser une pièce quelconque de l'alimentation du gaz lorsque le barbecue est allumé.
38. Débarrasser la bonne lorsqu'elle ne pas utilisée.
39. Placer toujours le barbecue sur une surface plane, dure et noncombustible. Il est déconseillé de le placer sur de l'asphalte ou du bitume.
40. Ne pas utiliser cet appareil sur une terrasse en bois.
41. Veiller à ce que les câbles et cordons électriques demeurent toujours loin du barbecue lorsqu'il est chaud.
42. Ne pas utiliser le barbecue pour se chauffer ou pour cuisiner à l'intérieur d'une maison. Des émanations TOXIQUES de monoxyde de carbone peuvent s'accumuler et provoquer l'asphyxie.
43. Après une période de remisage ou si le barbecue n'a pas été utilisé pour une certaine période, s'assurer qu'il n'y a pas de fuite et que les brûleurs ne sont pas bouchés. Vérifier également que le tuyau ne présente pas de traces d'abrasion, d'usure ou de coupures.
44. Le fait de ne pas maintenir le couvercle ouvert lors de l'allumage des brûleurs du barbecue ou de ne pas attendre 5 minutes afin que le gaz se dissipe au cas où le barbecue ne s'allume pas, risque de provoquer un retour de flammes explosif.
45. Si le barbecue n'est pas utilisé, fermer l'alimentation du gaz au niveau de la bonne.
46. Ne jamais utiliser le barbecue sans avoir installé auparavant les plaques réfléchissantes de chaleur.
47. Veiller à toujours utiliser un thermomètre à viande afin de vous assurer que la nourriture est cuite à une température adéquate.
48. Ne pas remettre une bonne de propane de recharge sous ou à proximité de cet appareil.
49. Pour éviter tout risque d'électrocution, vérifier l'appareil avant chaque utilisation afin de s'assurer que l'allumeur et le fil sont correctement raccordés.
50. Les consignes ci-dessus doivent être strictement respectées et le non-respect de ces consignes risque de provoquer des dégâts matériels ou d'entraîner des blessures graves voire la mort.

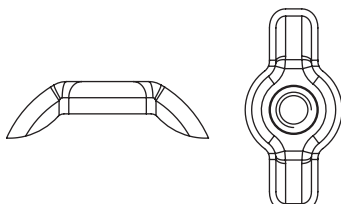
Pièces de quincaillerie / Taille réelle

A. Boulon à oreilles
Boulon à oreilles galvanisée M6X10



1

B. Écrou à oreilles
Écrou à oreilles M5



6

C. Petite rondelle
Rondelle galvanisée ø5,5



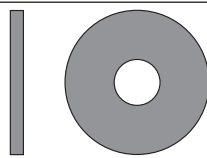
6

D. Grande rondelle
Rondelle galvanisée ø6,5



1

E. Rondelle résistante à la chaleur
Rondelle résistante à la chaleur ø6



1

F. Petite rondelle de blocage
Rondelle de blocage galvanisée ø5,5



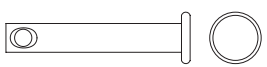
6

G. Grande rondelle de blocage
Rondelle de blocage galvanisée ø6,5



1

H. Goupilles*
Goupilles*



2

I. Goupilles fendues*
Goupilles fendues*

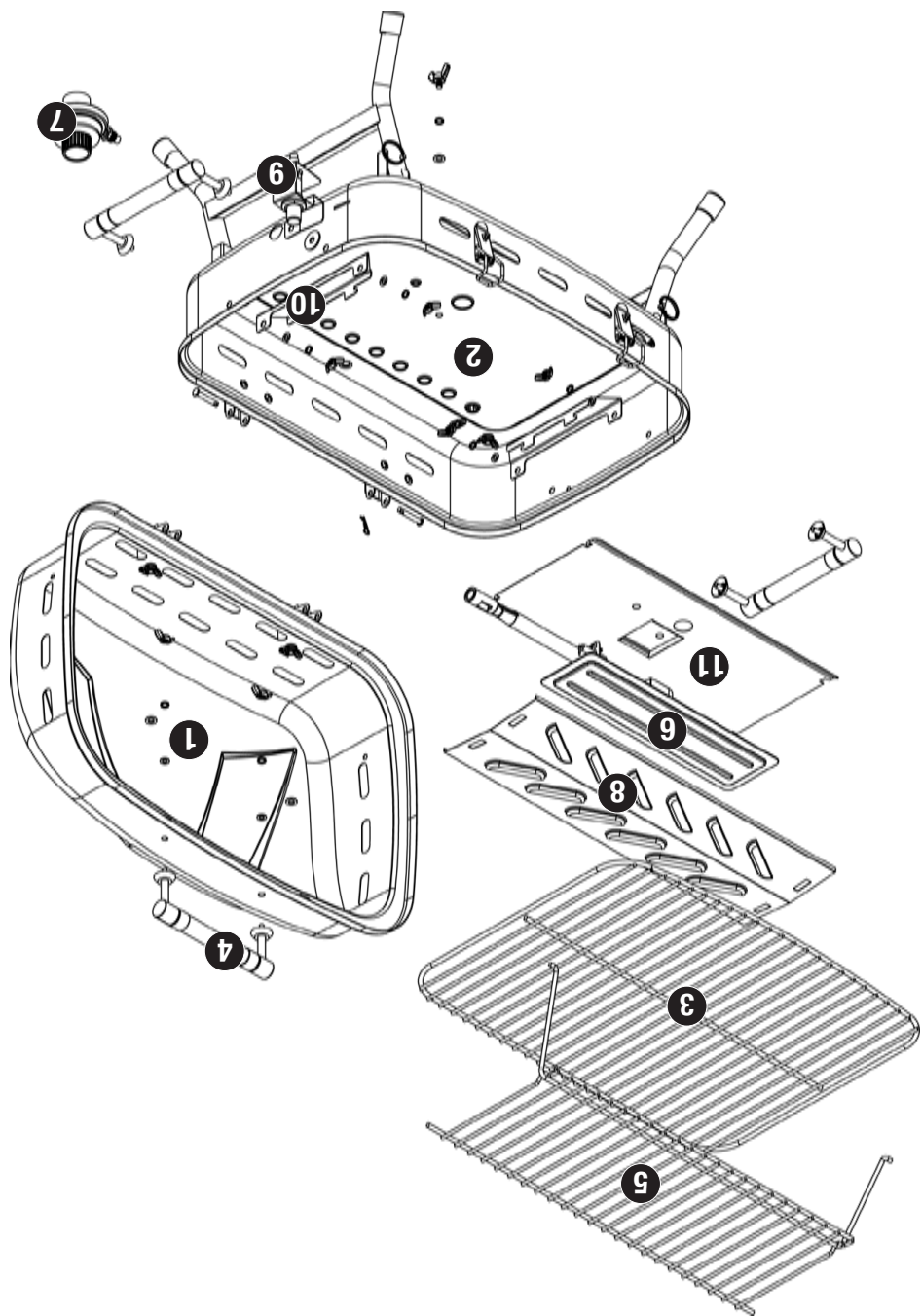


2

*Cet article n'est pas indiqué à sa taille réelle.

Vue éclatée

- 1. Couvertle55-14-980
- 2. Moitié inférieure55-14-981
- 3. Grille de cuisson55-14-928
- 4. Poignée (3)55-14-983
- 5. Grille de réchauffage55-14-984
- 6. Brûleur55-14-985
- 7. Régulateur55-14-986
- 8. Plaque déflectrice de chaleur55-14-987
- 9. Allumeur55-14-988
- 10. Support de la plaque déflectrice de chaleur (2)55-14-989
- 11. Écran thermique55-14-999



Directives d'assemblage

NE PAS RETOURNER AU MAGASIN AVEC CET ARTICLE. Pour toute assistance technique, appelez le numéro sans frais 1.800.762.1142. Faites en sorte que votre manuel d'utilisation et le numéro de série soient à portée de main afin de pouvoir vous y référer.

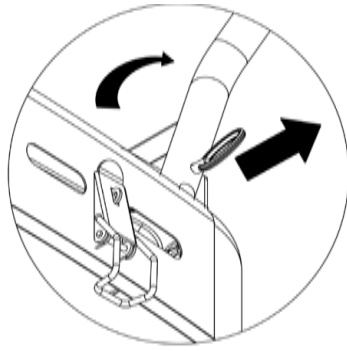
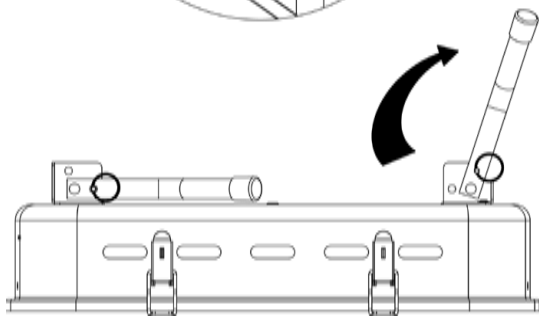
Pour faciliter l'installation:

- Pour éviter de perdre des petites pièces ou la quincaillerie d'installation, assemblez cet article sur une surface dure et plane qui ne comporte pas de trous ou de fissures.
- Prévoyez une surface de travail suffisamment grande afin d'étaler toutes les pièces et la quincaillerie d'installation.
- Lorsque nécessaire, serrez toute les fixations et la visserie en premier, puis une fois l'étape terminée, serrez-les à bloc.
- Suivez toutes les étapes dans l'ordre afin d'assembler correctement cet article.

Étape 1

Déplier les pieds

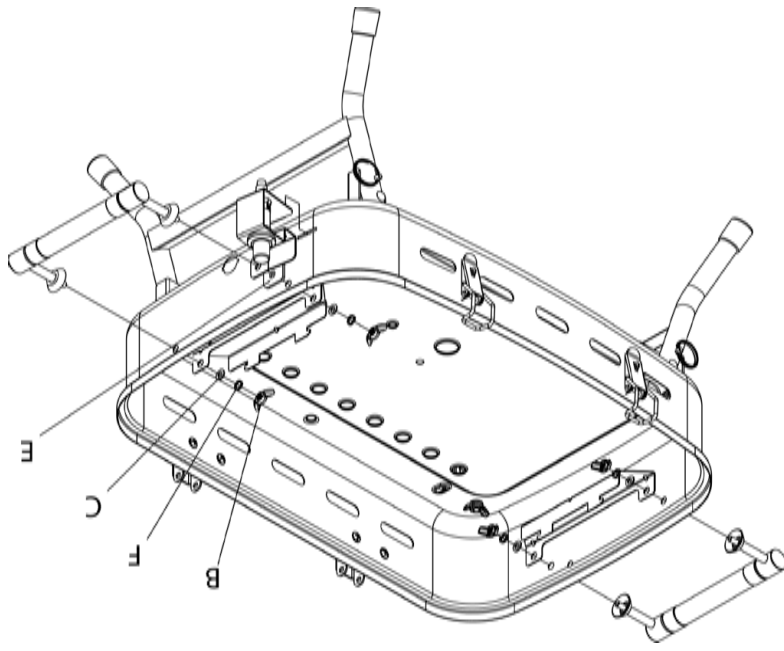
Dépliez les pieds en tirant sur l'anneau afin de dégager le pied jusqu'à ce qu'il se bloque.



Étape 2

Fixer les poignées latérales

A. Fixez la poignée, l'allumeur et le support de la plaque déflectrice de chaleur sur le côté droit de la moitié inférieure du barbecue en utilisant deux petites rondelles (C), deux petites rondelles de blocage (F), deux écrous à oreilles (B) et une rondelle résistante à la chaleur (E).
B. Fixez la poignée au côté gauche de la moitié inférieure du barbecue en utilisant deux petites rondelles (C), deux petites rondelles de blocage (F) et deux écrous à oreilles (B).

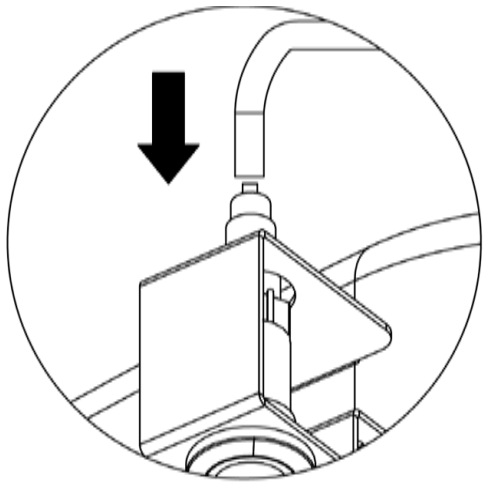
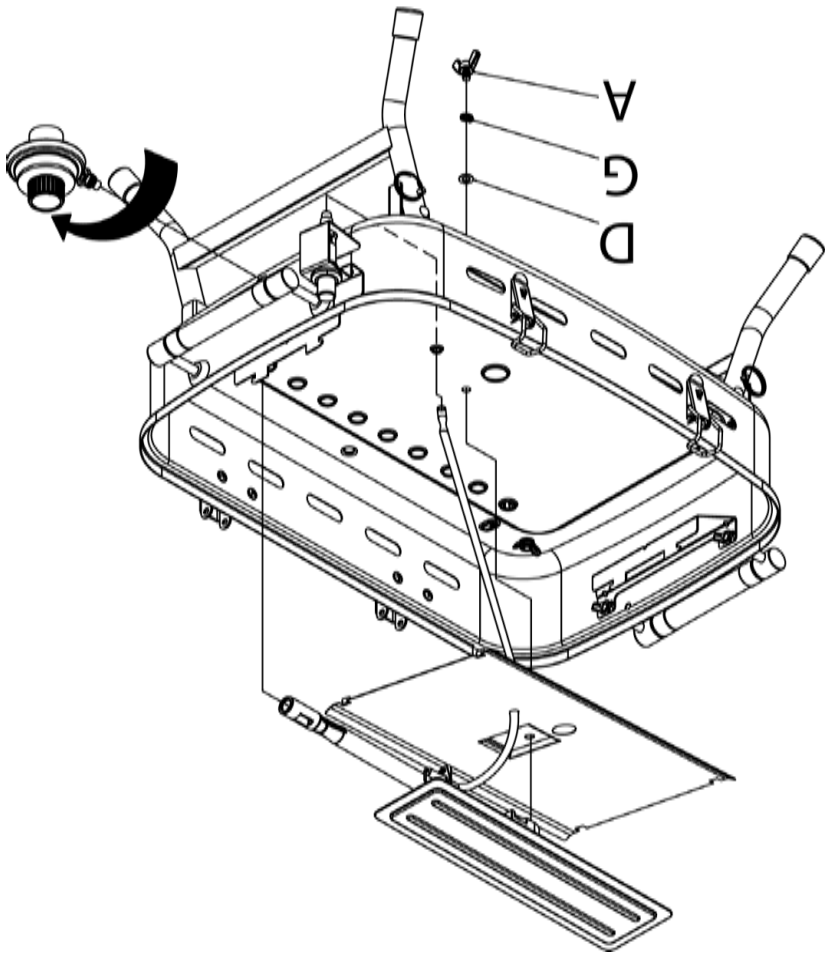


Étape 3

Fixez l'écran thermique, le brûleur, le régulateur et le fil d'allumage

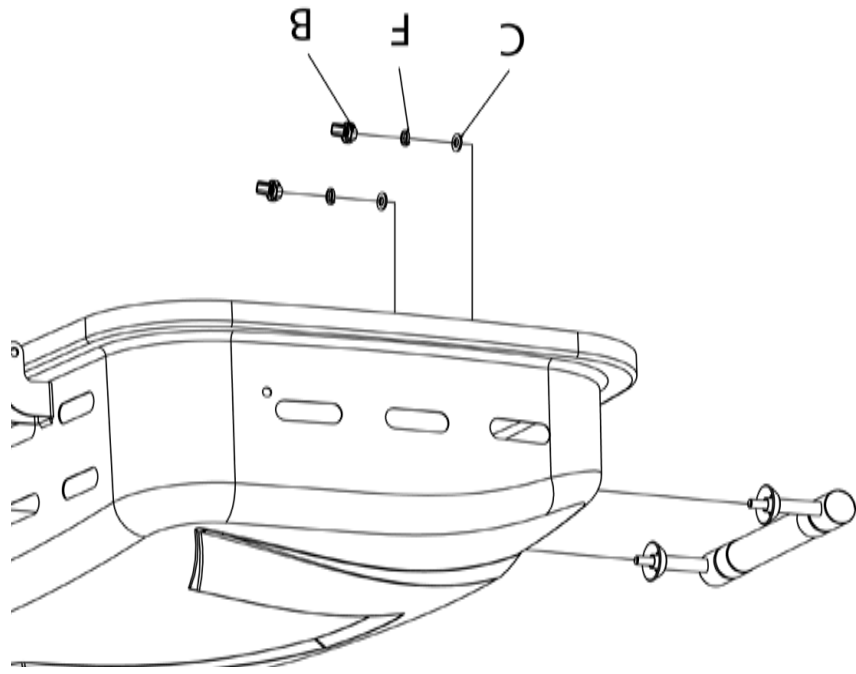
A. Insérez le fil d'allumage dans l'ouverture de la moitié inférieure du barbecue.
B. Fixez l'écran thermique et le brûleur à la moitié inférieure du barbecue en utilisant une grande rondelle (D), une grande rondelle de blocage (G) et le boulon à oreilles (A).
C. Vissez le régulateur sur la tubulure du brûleur dans le sens des aiguilles d'un montre.
D. Tirez le fil d'allumage dans l'allumeur.

Mise en garde: Pour éviter tout risque d'électrocution, vérifiez l'appareil avant utilisation afin de s'assurer que l'allumeur et le fil sont correctement raccordés.



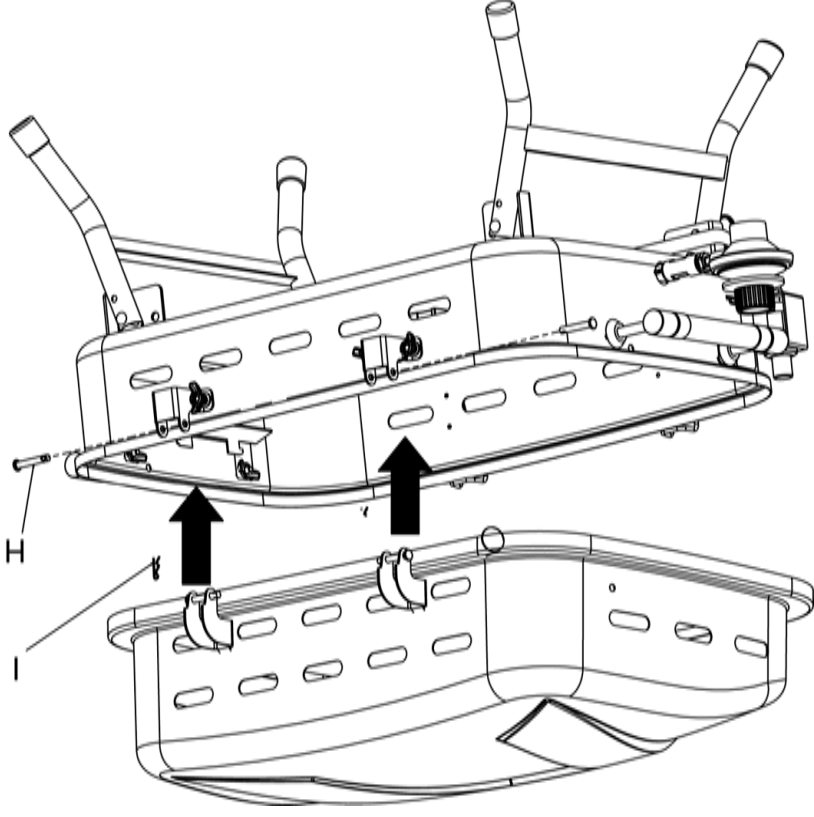
Fixer la poignée du couvercle

Fixez la poignée au couvercle en utilisant deux petites rondelles (C), deux petites rondelles de blocage (F) et deux écrous à oreilles (B).



Étape 5

Fixer le couvercle à la moitié inférieure du barbecue



A. Insérez les charnières supérieures dans les charnières inférieures.
B. Fixez les charnières en utilisant deux goupilles (H) et deux goupilles fendues (I).

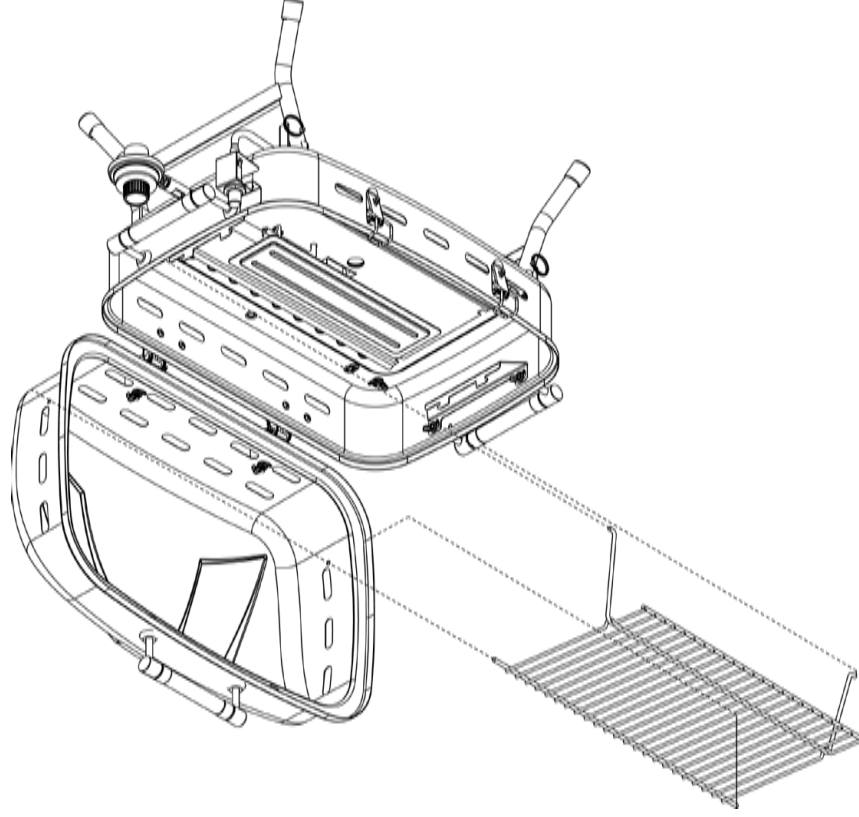
Étape 6

Insérez la grille de réchauffage

A. Insérez la grille de réchauffage dans les orifices correspondants du couvercle et de la moitié inférieure du barbecue.

Remarque: recherchez les orifices correspondants sur le côté du couvercle. Insérez les bouts courts dans les trous correspondants du couvercle, en insérant un côté à la fois. Placez les pieds de la grille de réchauffage dans les fentes situées dans les côtés du barbecue.

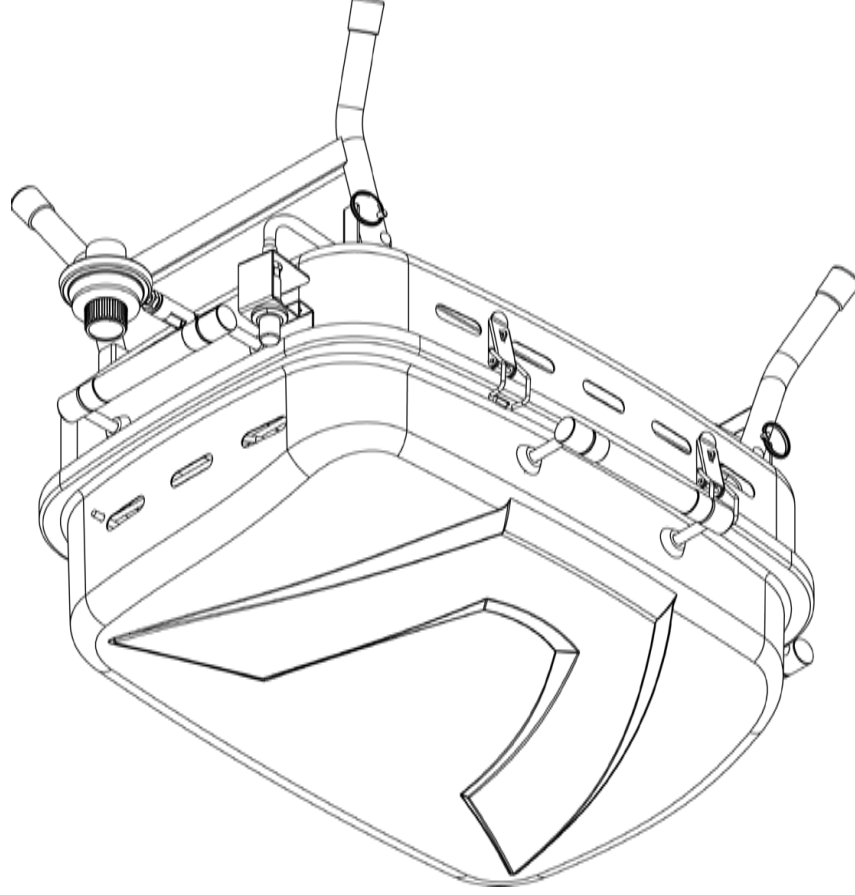
B. Coupez les attaches de la grille de réchauffage.



Étape 8

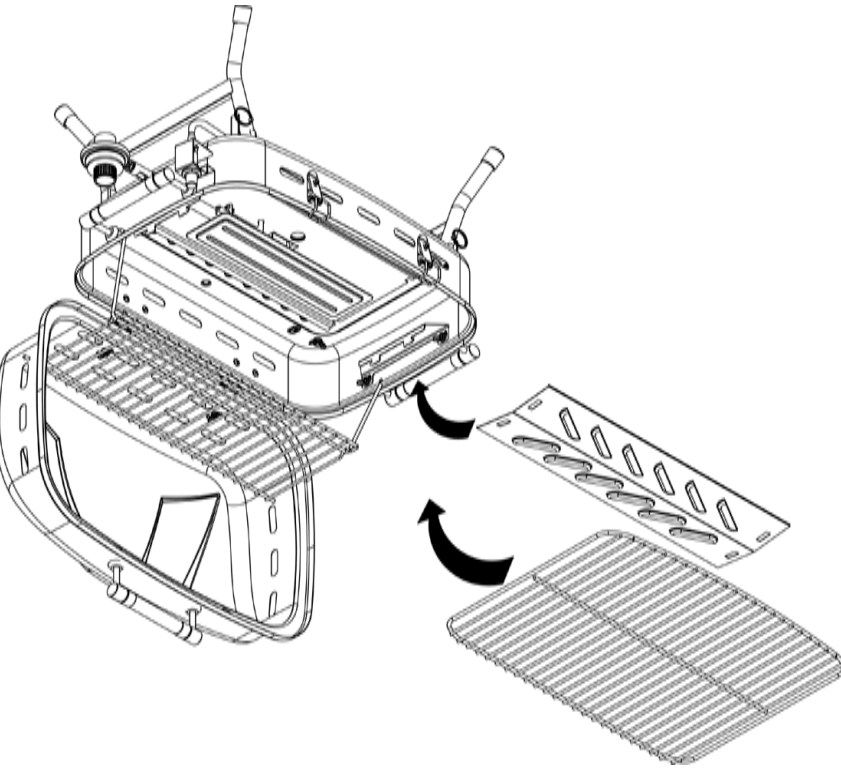
Terminé

Félicitations, vous venez de terminer l'assemblage. Veuillez lire les instructions d'utilisation avant de poursuivre.



Étape 7

Insérer la plaque déflectrice de chaleur et la grille de cuisson



A. Insérez la plaque déflectrice de chaleur en veillant à ce que les fixations passent par les ouvertures.
B. Insérez la grille de cuisson.

Utilisation

Ce barbecue a été conçu afin de fonctionner avec une bonbonne de propane jetable (DOT 39) REMPLIR UNE BONBONNE DE PROPANE D'UNE LIVRE (16,4 onces/484 ml), NE PAS TENTER DE

Brancher la bonbonne de gaz

Lubrifiez le filetage de la valve du régulateur avec de la vaseline puis insérez la bonbonne de gaz dans la valve du régulateur et serrez fermement à la main. Assurez-vous que le circuit ne présente pas de fuite en suivant les étapes de la procédure de recherche de fuite.

Rechercher une fuite potentielle

Raccordement du brûleur

Assurez-vous que la valve de contrôle est correctement raccordée au brûleur.

Si votre appareil a été assemblé pour vous par quelqu'un d'autre, vérifiez visuellement le raccord entre le tuyau du brûleur et la valve de contrôle. Assurez-vous que le tuyau du brûleur est correctement placé sur la valve de contrôle.

MISE EN GARDE: Si vous ne vérifiez pas ce raccord et ne respectez pas ces instructions, vous risquez de provoquer un incendie ou une explosion pouvant entraîner des dégâts matériels, des blessures graves voire la mort.

Si le tuyau du brûleur ne repose pas au ras de la valve de contrôle, veuillez contacter notre service à la clientèle au 1.800.762.1142.

Raccordement du régulateur et de la bonbonne d'une livre (450 g)

Préparez une solution d'environ 80 ml destinée à détecter les fuites en mélangeant un volume de liquide à vaisselle et 3 volumes d'eau.

Vérifiez que le bouton de la valve de contrôle du barbecue est sur « Off » (arrêt). À l'aide d'une cuillère ou d'une gourde, versez quelques gouttes de la solution sur le raccord de la valve de la bonbonne de propane et du régulateur. Vérifiez si des bulles apparaissent au niveau du raccord. Si le raccord NE présente PAS de bulles, le raccord est étanche. Si des bulles apparaissent, vous venez de découvrir une fuite.

Desserrez le raccord puis resserrerz-le en vous assurant qu'il est étanche.

Vérifiez à nouveau que le raccord est étanche en utilisant la solution. Si des bulles persistent après plusieurs tentatives, débranchez la source de propane et appelez notre service à la clientèle au 1.800.762.1142.

Allumer le barbecue

Mise en garde: Pour éviter tout risque d'électrocution, vérifier l'appareil avant chaque utilisation afin de s'assurer que l'allumeur et le fil sont correctement raccordés.

1. Ouvrez le couvercle du barbecue. **Toute tentative d'allumage du brûleur avec le couvercle fermé peut provoquer une explosion !**

2. Assurez-vous qu'il n'existe aucune obstruction et que rien ne gêne le débit d'air vers les brûleurs. Des araignées et autres insectes peuvent y être domiciliés et boucher le brûleur et le tube venturi au niveau de l'orifice. **Si la tubulure du brûleur est bouchée, ceci risque de provoquer un feu en-dessous de l'appareil.**

3. Assurez-vous que le bouton de la valve de contrôle est réglé sur « Lock Off » (fermé et verrouillé).

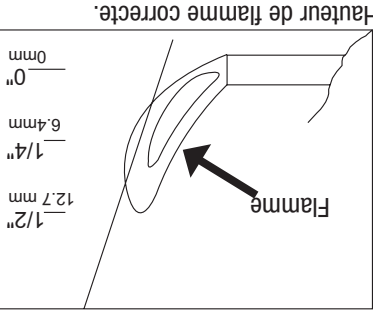
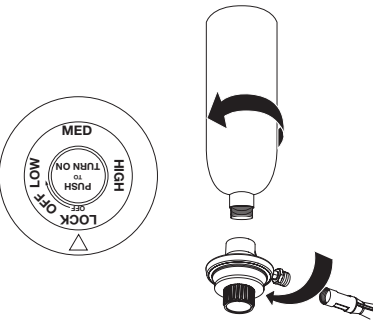
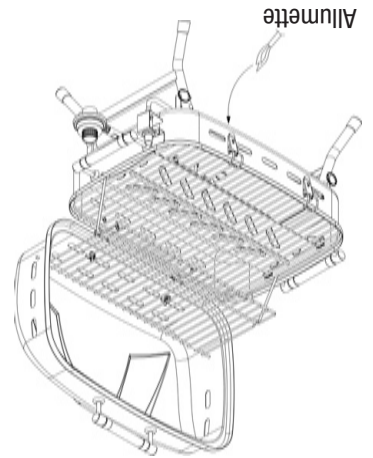
4. Réglez le bouton de contrôle sur « HIGH » (maximum).

5. Pressez plusieurs fois le bouton de l'allumeur pour allumer le brûleur.

6. Si l'allumage ne se produit pas dans les 5 secondes suivantes, tournez le bouton de contrôle du brûleur à la position « OFF » (fermé/arrêt); attendez 5 minutes et répétez la procédure d'allumage.

7. Si l'allumeur ne parvient pas à allumer le brûleur, utilisez une allumette afin d'allumer manuellement le brûleur. Accédez au brûleur par le trou situé dans le fond du barbecue comme illustré.

8. Après avoir allumé le brûleur, veuillez observer la flamme et vérifier que tous les orifices du brûleur sont allumés et que la hauteur de la flamme correspond à celle de l'illustration.



Avis

- N'utilisez pas de produits de nettoyage abrasifs car ils risquent d'endommager le barbecue.
- N'utilisez jamais de produit à nettoyer les fours sur une pièce quelle qu'elle soit du barbecue.
- NE placez aucune pièce du barbecue dans un four autonettoyant. La chaleur extrême endommagera le fini du barbecue.

Nettoyage des surfaces du barbecue

- Essuyez les surfaces du barbecue avec un liquide à vaisselle doux ou du bicarbonate de soude.
- Pour les tâches coriaces, utilisez un dégraissant au citron et une brosse de nettoyage en nylon.
- Rincez à l'eau.

Nettoyage du brûleur

- Fermez l'arrivée de gaz au niveau du bouton de contrôle et de la bonbonne de propane.
- Retirez les grilles de cuisson et la plaque déflectrice de chaleur.
- Retirez le brûleur en retirant les trois dispositifs de fixation retenant le brûleur au fond du barbecue.
- Soulevez et éloignez le brûleur de l'orifice de la valve de gaz.
- Déconnectez le fil de l'électrode d'allumage.
- Nettoyez l'entrée (venturi) du brûleur avec un petit goupillon ou de l'air comprimé.
- Nettoyez les restes de nourriture et la saleté de la surface du brûleur.
- Nettoyez les orifices bouchés avec un fil métallique (un trombone ouvert, par exemple).
- Vérifiez le brûleur afin de vous assurer qu'il ne présente pas de détériorations (fissures ou trous). En cas de détériorations, remplacez-le par un brûleur neuf.
- Reinstallez le brûleur, vérifiez que les orifices de la valve de gaz sont correctement positionnés à l'intérieur de l'entrée du brûleur (venturi). Vérifiez aussi la position de l'électrode d'allumage.

Attention

- Tout nettoyage ou entretien doit être effectué lorsque le barbecue est froid et après avoir fermé et débranché l'alimentation en gaz.
- NE placez aucune pièce du barbecue dans un four autonettoyant. La chaleur extrême endommagera le fini du barbecue.

Nettoyage et entretien

- Vaporisez ou appliquez une couche d'huile végétale sur les surfaces de cuisson avant de cuire les aliments afin d'éviter qu'ils ne collent.
- Placez les légumes ou les aliments délicats dans du papier d'aluminium.
- Utilisez une brosse de barbecue de bonne qualité pour nettoyer les surfaces de cuisson après chaque utilisation et afin d'éviter toute apparition de rouille.
- Une bonbonne de propane d'une livre (450 g) permettra de faire fonctionner le barbecue pendant environ 2 heures avec la valve de contrôle réglée sur "HIGH" (max.)

Pérennité de cet article

Quelques conseils pour un meilleur barbecue et afin d'assurer la

- Allumez le brûleur en suivant les instructions d'allumage.
- Réglez le brûleur à la température consignée.
- Placez la nourriture sur la grille de cuisson.
- Avec le couvercle ouvert ou fermé, laissez la nourriture cuire jusqu'à ce que la température interne désirée des aliments soit atteinte.

Cuisson

Avant de cuire quoi que ce soit sur le barbecue pour la première fois, faites fonctionner le barbecue pendant environ 15 minutes avec le couvercle fermé et le bouton de contrôle du gaz sur « High » (maximum). La chaleur « nettoiera » les pièces internes et dissipera l'odeur du fini de peinture.

Utiliser le barbecue pour la première fois

Réglez le bouton de contrôle sur « Lock Off » (fermé et verrouillé).

Eteindre le barbecue

ATTENTION: Si la flamme du brûleur s'éteint lors du fonctionnement du barbecue, fermez immédiatement l'arrivée de gaz (OFF) et ouvrez le couvercle afin que le gaz se dissipe et attendez 5 minutes avant de tenter à nouveau d'allumer le barbecue.

Enregistrement de l'appareil

Veillez enregistrer votre appareil immédiatement sur le site internet www.BlueRhino.com ou appelez le 1.800.762.1142.

Garantie Limitée

La société Blue Rhino Sourcing, LLC ("le fabricant") garantit ce barbecue au premier acheteur et à aucune autre personne, contre tout vice de fabrication et matériau de fabrication défectueux pendant un (1) an à partir de la date d'achat si l'appareil est monté et utilisé conformément aux instructions imprimées fournies. Le fabricant vous demandera sans doute une preuve raisonnable d'achat provenant du détaillant ou du distributeur agréé. Veuillez donc conserver votre facture ou votre reçu. Cette garantie limitée se limitera à la réparation ou au remplacement de pièces ayant été déterminées défectueuses par le fabricant lors de conditions d'utilisation et d'entretien normales. Avant de renvoyer une pièce, contactez le service à la clientèle du fabricant (Customer Service Department) à l'adresse ci-dessous. Si le fabricant confirme le défaut de fabrication comme étant couvert par la garantie et approuve la réclamation, ce dernier remplacera gratuitement les dites pièces. Si vous devez renvoyer des pièces défectueuses, les pièces devront être expédiées port-payé. Le fabricant s'engage à renvoyer les pièces à l'acheteur initial port-payé

Cette garantie limitée ne couvre pas les pannes et dysfonctionnements survenant suite à tout accident, mauvais usage, entretien incorrect du barbecue, ou toute modification, mauvaise installation ou négligence comme il a été établi dans ce manuel. De plus, cette garantie limitée ne couvre pas le fini, à savoir les rayures, les bosses, les traces de décoloration, de rouille ou les dommages résultant des intempéries après achat de l'appareil.

Cette garantie remplace toute autre garantie expresse et il n'existe aucune autre garantie expresse à l'exception de la couverture indiquée ici. Le fabricant désavoue toute garantie couvrant des produits ayant été achetés auprès de revendeurs autres que les revendeurs et distributeurs agréés. APRÈS UN (1) AN, À SAVOIR LA DURÉE DE LA COUVERTURE DE LA GARANTIE EXPRESSE, LE FABRICANT DÉSAVOUE ET DÉCLINE TOUTE GARANTIE IMPLICITE Y COMPRIS TOUTE GARANTIE DE COMMERCIALITÉ ET D'ADAPTATION À UN USAGE PARTICULIER. DE PLUS, LE FABRICANT NE POURRA ÊTRE TENU RESPONSABLE PAR L'ACHETEUR OU UN TIERS POUR TOUTS DÉGÂTS ET DOMMAGES PARTICULIERS, INDIRECTS, PUNITIFS OU CONSÉCUTIFS. Le fabricant décline toute responsabilité en cas de panne ou dysfonctionnement résultant d'une modification ou altération effectuée par un tiers. Cette garantie limitée octroie des droits juridiques spécifiques à l'acheteur et il est possible que ce dernier en possède d'autres selon sa localité. Certaines juridictions ne permettent pas l'exclusion ni la limitation de dommages consécutifs ou accessoires et ces limitations peuvent ne pas vous être applicables.

Le fabricant ne permet en aucun cas à une personne ou à une société de s'attribuer les responsabilités et les obligations liées à la vente, l'installation, l'utilisation, la dépose ou le remplacement de cet appareil, et aucune de ces représentations n'engage la responsabilité du fabricant.

Blue Rhino Global Sourcing, LLC
104 Cambridge Plaza Drive
Winston-Salem, North Carolina 27104, États-Unis
Téléphone (800) 762-1142
Télécopie 24h par jour: (336) 659-6743
CustomerService@BlueRhino.com

Problème	Cause Possible	Prévention/Mesure corrective
Le brûleur ne s'allume pas avec une allumette.	Absence de gaz.	Vérifiez si la bonbonne de gaz est vide.
Le brûleur ne s'allume pas avec une allumette, flamme irrégulière, flamme ne se répartissant pas sur toute la longueur du brûleur.	Obstruction du débit du gaz.	Nettoyez les tubes des brûleurs.
	Toiles d'araignées ou nids d'insectes dans le venturi.	Nettoyez le venturi.
	Les orifices du brûleur sont bouchés ou bloqués.	Nettoyez les orifices du brûleur.
	Les orifices du brûleur sont bouchés ou bloqués.	Nettoyez les orifices du brûleur.
Flamme irrégulière, flamme ne se répartissant pas sur toute la longueur du brûleur.	Le nouveau brûleur peut contenir des traces d'huile restantes de sa fabrication.	Laissez le barbecue fonctionner pendant 15 minutes avec le couvercle fermé.
	Toiles d'araignées ou nids d'insectes dans le venturi.	Nettoyez le venturi.
	Restes de nourriture, de graisse ou d'assaisonnement sur le brûleur.	Nettoyez le brûleur.
La flamme s'éteint.	Vent fort ou bourrasques.	Présentez l'avant du barbecue face au vent ou augmentez la hauteur de la flamme.
	La bonbonne de gaz est presque vide.	Remplacez la bonbonne de gaz.
Le feu s'enflamme brusquement.	Accumulation de graisse.	Nettoyez le barbecue.
	La viande est trop grasse.	Éliminez la graisse de la viande avant de la griller.
	La température de cuisson est trop élevée.	Régulez à la baisse la température.
	Graisse piégée par accumulation de nourriture autour des brûleurs.	Tournez les boutons sur « LOCK OFF » (arrêt verrouillé). Laissez le couvercle fermé et laissez la graisse se consumer. Après que le barbecue se soit refroidi, retirez et nettoyez toutes les pièces.
Feu de graisse persistant.		
Retour de flammes (feu dans les tubes de brûleurs)	Le brûleur et/ou ses tubes sont bouchés.	Nettoyez le brûleur et/ou les tubes du brûleur.
L'intérieur du couvercle s'écaille comme de la peinture.	Le couvercle possède une couche d'émail sans peinture.	L'accumulation de graisse cuite s'est transformée en carbone et s'écaille. Nettoyez complètement.

Free Manuals Download Website

<http://myh66.com>

<http://usermanuals.us>

<http://www.somanuals.com>

<http://www.4manuals.cc>

<http://www.manual-lib.com>

<http://www.404manual.com>

<http://www.luxmanual.com>

<http://aubethermostatmanual.com>

Golf course search by state

<http://golfingnear.com>

Email search by domain

<http://emailbydomain.com>

Auto manuals search

<http://auto.somanuals.com>

TV manuals search

<http://tv.somanuals.com>